

BS ISO 814:2011



BSI Standards Publication

Rubber, vulcanized or thermoplastic — Determination of adhesion to metal — Two-plate method

bsi.

...making excellence a habit.™

National foreword

This British Standard is the UK implementation of ISO 814:2011. It supersedes BS ISO 814:2007 which is withdrawn.

The UK participation in its preparation was entrusted to Technical Committee PRI/22, Physical testing of rubber.

A list of organizations represented on this committee can be obtained on request to its secretary.

This publication does not purport to include all the necessary provisions of a contract. Users are responsible for its correct application.

© BSI 2011

ISBN 978 0 580 73707 7

ICS 83.060

Compliance with a British Standard cannot confer immunity from legal obligations.

This British Standard was published under the authority of the Standards Policy and Strategy Committee on 31 December 2011.

Amendments issued since publication

Date	Text affected
------	---------------

INTERNATIONAL STANDARD

BS ISO 814:2011

ISO
814

Fifth edition
2011-11-15

Rubber, vulcanized or thermoplastic — Determination of adhesion to metal — Two-plate method

*Caoutchouc vulcanisé ou thermoplastique — Détermination de
l'adhérence au métal — Méthode à deux plaques*



Reference number
ISO 814:2011(E)

© ISO 2011



COPYRIGHT PROTECTED DOCUMENT

© ISO 2011

All rights reserved. Unless otherwise specified, no part of this publication may be reproduced or utilized in any form or by any means, electronic or mechanical, including photocopying and microfilm, without permission in writing from either ISO at the address below or ISO's member body in the country of the requester.

ISO copyright office
Case postale 56 • CH-1211 Geneva 20
Tel. + 41 22 749 01 11
Fax + 41 22 749 09 47
E-mail copyright@iso.org
Web www.iso.org

Published in Switzerland

Contents

Page

Foreword	iv
1 Scope	1
2 Normative references	1
3 Principle	1
4 Apparatus	2
5 Calibration	2
6 Test piece	2
6.1 Dimensions	2
6.2 Preparation	2
6.3 Number	3
6.4 Conditioning	4
7 Procedure	4
8 Expression of results	4
8.1 Adhesion value	4
8.2 Adhesion failure symbols	4
9 Test report	5
Annex A (normative) Calibration schedule	6
A.1 Inspection	6
A.2 Schedule	6

Foreword

ISO (the International Organization for Standardization) is a worldwide federation of national standards bodies (ISO member bodies). The work of preparing International Standards is normally carried out through ISO technical committees. Each member body interested in a subject for which a technical committee has been established has the right to be represented on that committee. International organizations, governmental and non-governmental, in liaison with ISO, also take part in the work. ISO collaborates closely with the International Electrotechnical Commission (IEC) on all matters of electrotechnical standardization.

International Standards are drafted in accordance with the rules given in the ISO/IEC Directives, Part 2.

The main task of technical committees is to prepare International Standards. Draft International Standards adopted by the technical committees are circulated to the member bodies for voting. Publication as an International Standard requires approval by at least 75 % of the member bodies casting a vote.

Attention is drawn to the possibility that some of the elements of this document may be the subject of patent rights. ISO shall not be held responsible for identifying any or all such patent rights.

ISO 814 was prepared by Technical Committee ISO/TC 45, *Rubber and rubber products*, Subcommittee SC 2, *Testing and analysis*.

This fifth edition cancels and replaces the fourth edition (ISO 814:2007), of which it constitutes a minor revision to include an annex specifying a calibration schedule for the apparatus used.

Rubber, vulcanized or thermoplastic — Determination of adhesion to metal — Two-plate method

WARNING — Persons using this International Standard should be familiar with normal laboratory practice. This standard does not purport to address all of the safety problems, if any, associated with its use. It is the responsibility of the user to establish appropriate safety and health practices and to ensure compliance with any national regulatory conditions.

IMPORTANT — Certain procedures specified in this International Standard might involve the use or generation of substances, or the generation of waste, that could constitute a local environmental hazard. Reference should be made to appropriate documentation on safe handling and disposal after use.

1 Scope

This International Standard specifies a method for determining the adhesion strength of rubber-to-metal bonds where the rubber part is assembled between two parallel metal plates, using the adhesive system under investigation.

The method is applicable primarily to test pieces, prepared in the laboratory under standard conditions, such as can be used to provide data for the development of rubber compounds and control of methods of manufacture.

2 Normative references

The following referenced documents are indispensable for the application of this document. For dated references, only the edition cited applies. For undated references, the latest edition of the referenced document (including any amendments) applies.

ISO 5893, *Rubber and plastics test equipment — Tensile, flexural and compression types (constant rate of traverse) — Specification*

ISO 18899:2004, *Rubber — Guide to the calibration of test equipment*

ISO 23529, *Rubber — General procedures for preparing and conditioning test pieces for physical test methods*

3 Principle

The test consists in measuring the force required to cause the rupture of a unit of standard dimensions, comprising rubber bonded to two parallel metal plates, the direction of the force being at 90° to the bonded surface.

4 Apparatus

4.1 Tensile-testing machine, complying with the requirements of ISO 5893, capable of measuring force with an accuracy corresponding to class 2 as defined in ISO 5893, and with a rate of traverse of the moving grip of 25 mm/min \pm 5 mm/min.

NOTE Inertia (pendulum) type dynamometers are apt to give results which differ because of frictional and inertial effects. An inertialess (for example, electronic or optical transducer) type dynamometer gives results which are free from these effects and is therefore preferred.

4.2 Fixtures, for holding the test pieces in the test machine (4.1), which permit accurate centring of the applied load during the test.

A suitable type of fixture is shown in Figure 1.

5 Calibration

The test apparatus shall be calibrated in accordance with Annex A.

6 Test piece

6.1 Dimensions

The standard test piece shall consist of a rubber cylinder 3 mm \pm 0,1 mm thick and of diameter between 35 mm and 40 mm known to the nearest 0,1 mm, having its circular ends bonded to the faces of two metal plates of equal diameter, the determination of dimensions of the test piece being in accordance with ISO 23529. The diameter of the metal plates shall be approximately 0,1 mm less than that of the rubber cylinder. The thickness of the metal plates shall be not less than 9 mm. A typical test piece is shown in Figure 2.

6.2 Preparation

6.2.1 Circular metal plates of the standard dimensions shall be prepared preferably from rolled carbon steel bar. Other metals may be used provided that the parts are in conformity with the essential dimensions. The smooth metal parts shall be prepared and treated in accordance with the adhesion system under investigation.

6.2.2 Rubber discs shall be cut using a circular die of such size that a limited amount of flash is obtained on moulding. The surface of the rubber to be bonded to the metal shall be treated in accordance with the method being investigated.

6.2.3 The rubber discs and metal end pieces shall then be assembled for moulding in the mould. The mould shall be constructed so that the rubber projects beyond the edges of the metal end pieces by approximately 0,05 mm in order to prevent tearing of the rubber by the edge of the metal during testing.

6.2.4 During the preparation of the test piece, great care shall be taken to keep the exposed surfaces of the rubber and metal free from dust, moisture and other foreign matter. The surfaces shall not be touched by hand during assembly.

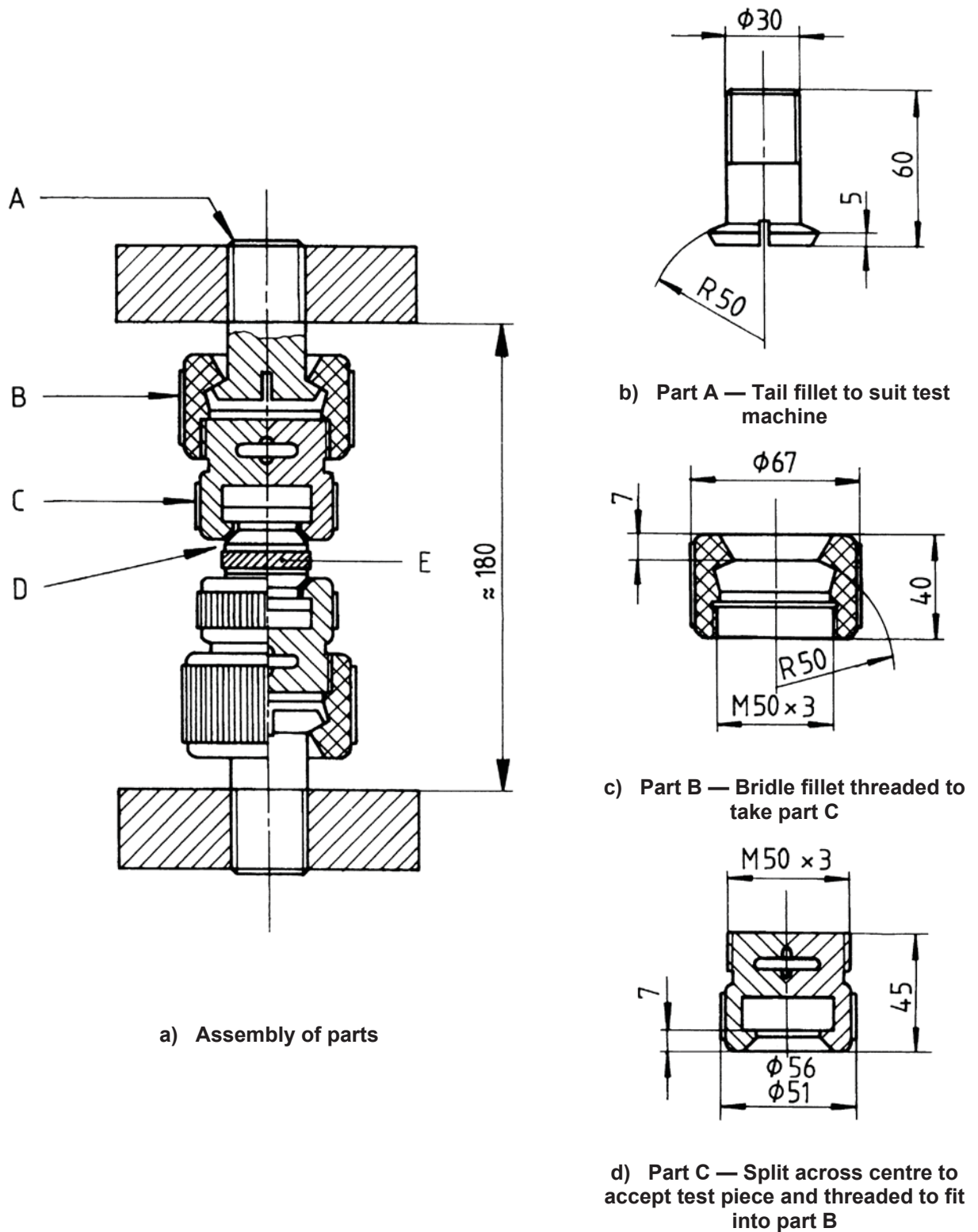
6.2.5 Moulding shall then be carried out by heating in the mould under pressure for a definite time at a controlled temperature in a suitable press. The time and temperature of moulding shall be in accordance with the system being investigated.

6.2.6 At the conclusion of the cure, great care shall be taken in removing the test pieces from the mould to avoid subjecting the bonded surfaces to undue stress before the test pieces have cooled.

6.3 Number

At least three test pieces shall be tested.

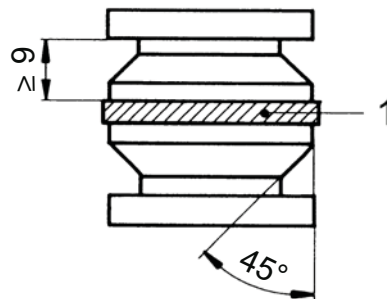
Dimensions in millimetres



Key

- A to C see drawings at right
- D metal part of test piece
- E rubber

Figure 1 — Example of test fixture for holding rubber-to-metal bond test pieces



Key

1 test piece

Figure 2 — Example of standard test piece

6.4 Conditioning

6.4.1 The test pieces shall be conditioned in accordance with the requirements of ISO 23529 for at least 16 h at a standard laboratory temperature ($23\text{ °C} \pm 2\text{ °C}$ or $27\text{ °C} \pm 2\text{ °C}$) immediately before test, the same temperature being used throughout any one test or series of tests intended to be comparable.

6.4.2 The time-interval between vulcanization and testing shall be in accordance with the requirements of ISO 23529.

7 Procedure

7.1 Mount the test piece in the fixtures (4.2) in the test machine (4.1). Extreme care is necessary in centring and adjusting the test piece so that the tension is uniformly distributed over the cross-section during the test.

7.2 Apply tension by separating the jaws at a constant rate of $25\text{ mm/min} \pm 5\text{ mm/min}$ until the test piece breaks. Record the maximum force.

8 Expression of results

8.1 Adhesion value

The adhesion shall be calculated by dividing the maximum force by the cross-sectional area of the test piece. It shall be expressed in pascals.

8.2 Adhesion failure symbols

- R indicates that the failure is in the rubber.
- RC indicates that the failure is at the interface between the rubber and the cover cement.
- CP indicates that the failure is at the interface between the cover cement and the prime cement.
- M indicates that the failure is at the interface between the metal and the prime cement.

9 Test report

The test report shall include at least the following information:

- a) a reference to this International Standard;
- b) details of test piece:
 - 1) the time and temperature of vulcanization,
 - 2) the date of vulcanization,
 - 3) the diameter of the rubber part of the test piece,
 - 4) the metal used for the metal plates, if other than the steel specified;
- c) test details:
 - 1) the time and temperature of conditioning prior to test,
 - 2) the temperature of the test,
 - 3) any unusual features noted during the determination,
 - 4) the number of test pieces tested,
 - 5) any operation not included in this International Standard or in the International Standards to which reference is made, as well as any operation regarded as optional;
- d) test results:
 - 1) the test result for each test piece, expressed in accordance with 8.1,
 - 2) a description of the type (or types) of failure, expressed in accordance with 8.2, indicating the percentage failure of each type which occurs;
- e) the date of the test.

Annex A (normative)

Calibration schedule

A.1 Inspection

Before any calibration is undertaken, the condition of the items to be calibrated shall be ascertained by inspection and recorded in any calibration report or certificate. It shall be reported whether calibration is carried out in the "as-received" condition or after rectification of any abnormality or fault.

It shall be ascertained that the apparatus is generally fit for the intended purpose, including any parameters specified as approximate and for which the apparatus does not therefore need to be formally calibrated. If such parameters are liable to change, then the need for periodic checks shall be written into the detailed calibration procedures.

A.2 Schedule

Verification/calibration of the test apparatus is a mandatory part of this International Standard. However, the frequency of calibration and the procedures used are, unless otherwise stated, at the discretion of the individual laboratory, using ISO 18899 for guidance.

The calibration schedule given in Table A.1 has been compiled by listing all of the parameters specified in the test method, together with the specified requirement. A parameter and requirement can relate to the main test apparatus, to part of that apparatus or to an ancillary apparatus necessary for the test.

For each parameter, a calibration procedure is indicated by reference to ISO 18899, to another publication or to a procedure particular to the test method which is detailed (whenever a calibration procedure which is more specific or detailed than that in ISO 18899 is available, it shall be used in preference).

The verification frequency for each parameter is given by a code-letter. The code-letters used in the calibration schedule are:

- C requirement to be confirmed, but no measurement;
- N initial verification only;
- P particular procedure;
- S standard interval as given in ISO 18899;
- U in use.

Table A.1 — Calibration schedule

Parameter	Requirement	Clause or subclause in ISO 18899:2004	Verification frequency guide	Notes
Metal plates	Circular	C	U	Preferably rolled carbon steel.
Thickness	9 mm minimum	15.2	U	
Diameter	measure to $\pm 0,1$ mm	15.2	U	
Rubber in test piece				
Diameter	Approximately 0,1 mm greater than that of the metal plates	15.2	U	
Thickness	3 mm \pm 0,1 mm	15.2	U	
Tensile-testing machine	Complying with requirements of ISO 5893	P	N	Inertialess machine preferred
Rate of separation of grips	25 mm/min \pm 5 mm/min	21.2	S	
Force measurement	Class 2 as specified in ISO 5893	23.4	S	
Fixtures	To ensure accurate centring of test piece	C		
Temperature of conditioning and test chambers	23 °C \pm 2 °C or 27 °C \pm 2 °C	18	S	

In addition to the items listed in Table A.1, use of the following is implied, all of which need calibrating in accordance with ISO 18899:

- a thermometer for monitoring the conditioning and test temperatures;
- instruments for determining the dimensions of the test pieces.

British Standards Institution (BSI)

BSI is the national body responsible for preparing British Standards and other standards-related publications, information and services.

BSI is incorporated by Royal Charter. British Standards and other standardization products are published by BSI Standards Limited.

About us

We bring together business, industry, government, consumers, innovators and others to shape their combined experience and expertise into standards-based solutions.

The knowledge embodied in our standards has been carefully assembled in a dependable format and refined through our open consultation process. Organizations of all sizes and across all sectors choose standards to help them achieve their goals.

Information on standards

We can provide you with the knowledge that your organization needs to succeed. Find out more about British Standards by visiting our website at bsigroup.com/standards or contacting our Customer Services team or Knowledge Centre.

Buying standards

You can buy and download PDF versions of BSI publications, including British and adopted European and international standards, through our website at bsigroup.com/shop, where hard copies can also be purchased.

If you need international and foreign standards from other Standards Development Organizations, hard copies can be ordered from our Customer Services team.

Subscriptions

Our range of subscription services are designed to make using standards easier for you. For further information on our subscription products go to bsigroup.com/subscriptions.

With **British Standards Online (BSOL)** you'll have instant access to over 55,000 British and adopted European and international standards from your desktop. It's available 24/7 and is refreshed daily so you'll always be up to date.

You can keep in touch with standards developments and receive substantial discounts on the purchase price of standards, both in single copy and subscription format, by becoming a **BSI Subscribing Member**.

PLUS is an updating service exclusive to BSI Subscribing Members. You will automatically receive the latest hard copy of your standards when they're revised or replaced.

To find out more about becoming a BSI Subscribing Member and the benefits of membership, please visit bsigroup.com/shop.

With a **Multi-User Network Licence (MUNL)** you are able to host standards publications on your intranet. Licences can cover as few or as many users as you wish. With updates supplied as soon as they're available, you can be sure your documentation is current. For further information, email bsmusales@bsigroup.com.

BSI Group Headquarters

389 Chiswick High Road London W4 4AL UK

Revisions

Our British Standards and other publications are updated by amendment or revision.

We continually improve the quality of our products and services to benefit your business. If you find an inaccuracy or ambiguity within a British Standard or other BSI publication please inform the Knowledge Centre.

Copyright

All the data, software and documentation set out in all British Standards and other BSI publications are the property of and copyrighted by BSI, or some person or entity that owns copyright in the information used (such as the international standardization bodies) and has formally licensed such information to BSI for commercial publication and use. Except as permitted under the Copyright, Designs and Patents Act 1988 no extract may be reproduced, stored in a retrieval system or transmitted in any form or by any means – electronic, photocopying, recording or otherwise – without prior written permission from BSI. Details and advice can be obtained from the Copyright & Licensing Department.

Useful Contacts:

Customer Services

Tel: +44 845 086 9001

Email (orders): orders@bsigroup.com

Email (enquiries): cservices@bsigroup.com

Subscriptions

Tel: +44 845 086 9001

Email: subscriptions@bsigroup.com

Knowledge Centre

Tel: +44 20 8996 7004

Email: knowledgecentre@bsigroup.com

Copyright & Licensing

Tel: +44 20 8996 7070

Email: copyright@bsigroup.com



...making excellence a habit.™