



BSI Standards Publication

Rubber, vulcanized or thermoplastic — Determination of adhesion to a rigid substrate — 90° peel method

National foreword

This British Standard is the UK implementation of ISO 813:2016. It supersedes BS ISO 813:2010 which is withdrawn.

The UK participation in its preparation was entrusted to Technical Committee PRI/22, Testing and analysis of rubber.

A list of organizations represented on this committee can be obtained on request to its secretary.

This publication does not purport to include all the necessary provisions of a contract. Users are responsible for its correct application.

© The British Standards Institution 2016.
Published by BSI Standards Limited 2016

ISBN 978 0 580 92745 4

ICS 83.060

Compliance with a British Standard cannot confer immunity from legal obligations.

This British Standard was published under the authority of the Standards Policy and Strategy Committee on 31 May 2016.

Amendments issued since publication

Date	Text affected
------	---------------

INTERNATIONAL
STANDARD

BS ISO 813:2016

ISO
813

Fifth edition
2016-05-15

**Rubber, vulcanized or
thermoplastic — Determination of
adhesion to a rigid substrate —
90° peel method**

*Caoutchouc vulcanisé ou thermoplastique — Détermination de
l'adhérence à un substrat rigide — Méthode par pelage à angle droit*



Reference number
ISO 813:2016(E)

© ISO 2016



COPYRIGHT PROTECTED DOCUMENT

© ISO 2016, Published in Switzerland

All rights reserved. Unless otherwise specified, no part of this publication may be reproduced or utilized otherwise in any form or by any means, electronic or mechanical, including photocopying, or posting on the internet or an intranet, without prior written permission. Permission can be requested from either ISO at the address below or ISO's member body in the country of the requester.

ISO copyright office
Ch. de Blandonnet 8 • CP 401
CH-1214 Vernier, Geneva, Switzerland
Tel. +41 22 749 01 11
Fax +41 22 749 09 47
copyright@iso.org
www.iso.org

Contents

Page

Foreword	iv
1 Scope	1
2 Normative references	1
3 Principle	1
4 Apparatus	1
5 Test pieces	2
5.1 Dimensions.....	2
5.2 Preparation.....	3
5.3 Number.....	4
5.4 Conditioning before testing.....	4
6 Test temperature and humidity	4
7 Procedure	5
8 Expression of results	5
8.1 Adhesion strength.....	5
8.2 Adhesion failure symbols.....	5
9 Precision	5
10 Test report	6
Annex A (informative) Analysis of the viscoelastic behaviour of the bond	7
Annex B (normative) Calibration schedule	8
Bibliography	10

Foreword

ISO (the International Organization for Standardization) is a worldwide federation of national standards bodies (ISO member bodies). The work of preparing International Standards is normally carried out through ISO technical committees. Each member body interested in a subject for which a technical committee has been established has the right to be represented on that committee. International organizations, governmental and non-governmental, in liaison with ISO, also take part in the work. ISO collaborates closely with the International Electrotechnical Commission (IEC) on all matters of electrotechnical standardization.

The procedures used to develop this document and those intended for its further maintenance are described in the ISO/IEC Directives, Part 1. In particular the different approval criteria needed for the different types of ISO documents should be noted. This document was drafted in accordance with the editorial rules of the ISO/IEC Directives, Part 2 (see www.iso.org/directives).

Attention is drawn to the possibility that some of the elements of this document may be the subject of patent rights. ISO shall not be held responsible for identifying any or all such patent rights. Details of any patent rights identified during the development of the document will be in the Introduction and/or on the ISO list of patent declarations received (see www.iso.org/patents).

Any trade name used in this document is information given for the convenience of users and does not constitute an endorsement.

For an explanation on the meaning of ISO specific terms and expressions related to conformity assessment, as well as information about ISO's adherence to the WTO principles in the Technical Barriers to Trade (TBT) see the following URL: [Foreword - Supplementary information](#)

The committee responsible for this document is ISO/TC 45, *Rubber and rubber products*, Subcommittee SC 2, *Testing and analysis*.

This fifth edition cancels and replaces the fourth edition (ISO 813:2010), of which it constitutes a minor revision concerning an update of the normative references.

Rubber, vulcanized or thermoplastic — Determination of adhesion to a rigid substrate — 90° peel method

WARNING 1 — Persons using this International Standard should be familiar with normal laboratory practice. This International Standard does not purport to address all of the safety problems, if any, associated with its use. It is the responsibility of the user to establish appropriate safety and health practices and to ensure compliance with any national regulatory conditions.

WARNING 2 — Certain procedures specified in this International Standard may involve the use or generation of substances, or the generation of waste, that could constitute a local environmental hazard. Reference should be made to appropriate documentation on safe handling and disposal after use.

1 Scope

This International Standard specifies a method for the determination of the adhesive strength of a vulcanized or thermoplastic rubber bonded to a rigid substrate, using a test piece comprising a strip of rubber bonded to a single plate of rigid material. The test is carried out at a peel angle of 90°.

The method is applicable primarily to test pieces prepared in the laboratory under standard conditions, such as can be used to provide data for the choice of rubber compounds or adhesive systems, the development of such materials and the control of manufacturing processes.

This method is not suitable for high-hardness rubbers, typically above 85 IRHD.

2 Normative references

The following referenced documents are indispensable for the application of this document. For dated references, only the edition cited applies. For undated references, the latest edition of the referenced document (including any amendments) applies.

ISO 5893, *Rubber and plastics test equipment — Tensile, flexural and compression types (constant rate of traverse) — Specification*

ISO 18899:2013, *Rubber — Guide to the calibration of test equipment*

ISO 23529, *Rubber — General procedures for preparing and conditioning test pieces for physical test methods*

3 Principle

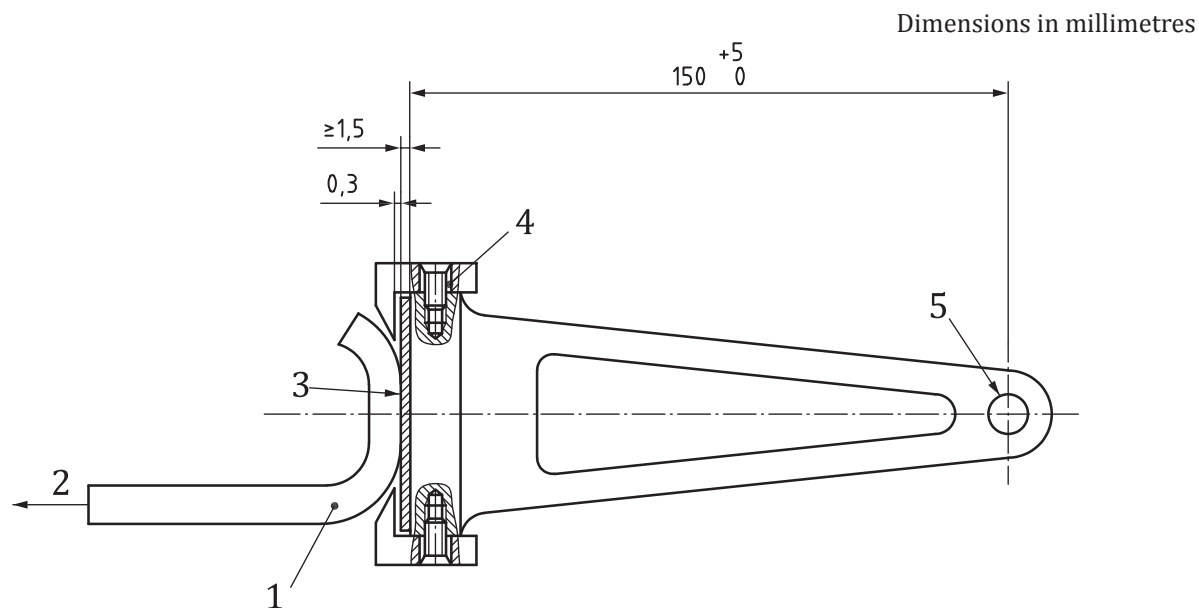
The force required to cause separation of a strip of rubber bonded to a rigid substrate is measured, the angle of separation being 90° and the width and thickness of the rubber and the rigid material being fixed within specified limits.

4 Apparatus

4.1 Tensile-testing machine, complying with the requirements of ISO 5893, capable of measuring force with an accuracy corresponding to class 1 and with a rate of traverse of the moving grip of 50 mm/min \pm 5 mm/min.

4.2 Fixture, for holding the test piece to the moving grip of the testing machine (4.1) so that the direction of pull to cause separation is at all times during the test as nearly perpendicular as possible

to the plane of the bond between the rubber and the rigid substrate, i.e. making an angle of 90° with the face of the fixture. The fixture shown in [Figure 1](#) complies with this requirement.



Key

- 1 rubber
- 2 tensile force
- 3 rigid substrate
- 4 adjustment grooves
- 5 attachment to upper grip of test machine

Figure 1 — Example of test fixture

4.3 Grip, so designed that it does not allow the rubber to slip or cause it to rupture.

4.4 Temperature-controlled chamber (if needed), for carrying out tests at a chosen temperature which can be kept within the tolerances given in ISO 23529.

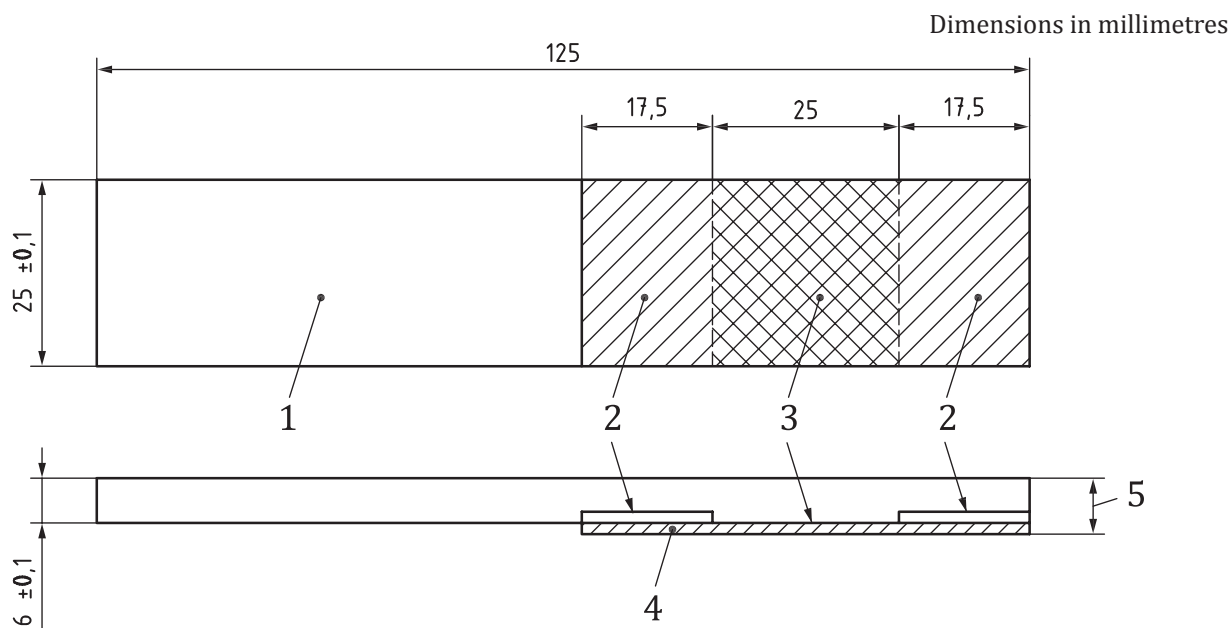
5 Test pieces

5.1 Dimensions

The standard test piece shall consist of a strip of rubber 6 mm ± 0,1 mm thick in the test area, 25 mm ± 0,1 mm wide and 125 mm long, bonded to a square area, 25 mm long and 25 mm ± 0,1 mm wide on the surface of a strip of rigid substrate, the determination of the dimensions of the test piece being in accordance with ISO 23529.

The substrate shall be sufficiently thick to prevent deformation during the test: a minimum thickness of 1,5 mm is recommended. The width shall be 25 mm ± 0,1 mm and the length, 60 mm ± 1 mm.

Each test piece shall be prepared so that the bonded area, 25 mm long and 25 mm ± 0,1 mm wide, is approximately in the middle of the substrate as shown in [Figure 2](#).



Key

- 1 rubber
- 2 masked area
- 3 bonded area
- 4 rigid substrate
- 5 thickness depends on the thickness of the substrate

Figure 2 — Standard test piece

5.2 Preparation

5.2.1 Two types of mould can be used for the preparation of test pieces: moulds for several test pieces or moulds for single test pieces.

5.2.1.1 When test pieces are to be made using one type of rubber and one type of adhesive system, a mould for several test pieces can be used. The inside mould dimension parallel to the longitudinal axis of the strip of substrate shall be 125 mm. The dimension corresponding to the transverse axis of the strip of substrate can be altered, depending on the number of test pieces to be prepared at a time. The dimension perpendicular to the longitudinal and transverse axes of the substrate can be altered, for instance using metal plates of various thicknesses, depending on the thickness of the substrate, in order to leave a depth of 6 mm ± 0,05 mm free for the rubber.

5.2.1.2 When only one test piece is to be made from a given rubber, a mould as specified in [5.2.1.1](#) shall be used, except that the dimension corresponding to the transverse axis shall be restricted to the width of the test piece.

5.2.2 From the rubber compound, cut slabs of sufficient thickness and of the required size for the mould (length 125 mm, width corresponding to the number of test pieces to be prepared) so as to ensure maximum pressure between the rubber and the substrate during the test piece preparation process.

5.2.3 During test piece preparation, take great care to keep the surfaces to be bonded clean and free from dust, moisture and other foreign matter.

Prepare, in the way required by the adhesive system under investigation, the surface to be bonded of strips of substrate of the dimensions specified in 5.1. Mask both ends with pressure-sensitive tape so that only the area specified in 5.1 is available for bonding.

Clean the rubber surface to be bonded, using solvent or another technique as required by the adhesive system under investigation.

Apply the adhesive and assemble the strips of substrate and rubber. Place the assembly in the mould, with the substrate at the bottom. When more than one test piece is being prepared at a time, place the strips of substrate approximately 3 mm apart to permit subsequent separation of the test pieces.

5.2.4 In the case of a rubber bonded with a heat-curing adhesive, carry out the vulcanization and/or bonding by heating the mould under pressure in a suitable press for the time and at the temperature required by the system being investigated.

Take great care when removing the test pieces from the mould to avoid subjecting the bonded surfaces to undue stress before the test pieces have cooled.

NOTE When the substrate used is a thermoplastic material, the strip may, in some cases, need to be raised to a temperature above its softening point in order to ensure adhesion. When the substrate is a thermosetting polymer, the starting material may, in some cases, be a low-viscosity prepolymer at the test piece preparation temperature, whose polymerization is completed during the process. The mould and the moulding pressure will have to be adapted to such cases.

5.2.5 When more than one test piece is prepared at a time, separate the test pieces from each other for testing. Do this by cutting with scissors, a knife or another suitable tool. The edges of each test piece can then be buffed on a belt sander to bring the edge of the rubber flush with the edge of the substrate. Take care not to overheat the test piece and not to reduce the width of the test piece beyond the tolerance allowed.

5.2.6 The test can also be used to measure post-vulcanization (PV) bonding, where preformed vulcanized rubber is bonded to the substrate. The conditions of bonding, such as temperature, pressure and surface preparation, shall be given in the test report.

5.3 Number

Four test pieces shall be tested.

5.4 Conditioning before testing

The time interval between the preparation of the test pieces and testing shall be in accordance with the requirements of ISO 23529. It shall be at least 16 h after moulding.

Condition the test pieces in accordance with the requirements of ISO 23529 for at least 16 h at a standard temperature ($23\text{ °C} \pm 2\text{ °C}$ or $27\text{ °C} \pm 2\text{ °C}$) immediately before the test.

When a test at other than standard laboratory temperature is required, carry out additional conditioning at this temperature for long enough to bring the material to the required temperature. ISO 23529 gives guidance on the conditioning time necessary to reach temperature equilibrium.

6 Test temperature and humidity

Unless otherwise specified, carry out testing at standard laboratory temperature, as specified in ISO 23529.

When other test temperatures are required, take them, as far as possible, from the list of preferred temperatures given in ISO 23529.

Use the same temperature throughout any one test, as well as any series of tests intended to be comparable.

7 Procedure

7.1 Place the test piece symmetrically in the fixture (4.2), with the end to be pulled apart facing towards the operator. Before applying the load, strip the rubber from the substrate for a distance of about 2 mm, using a sharp knife and taking care not to introduce tears in the rubber. Place the free end of the rubber strip in the grip (4.3). In the case of tests at other than standard temperature, keep the test piece in the temperature-controlled chamber (4.4) for a sufficient length of time after closure of the chamber for the test piece to reach the required temperature. Then move the grip of the tensile-testing machine at 50 mm/min \pm 5 mm/min until separation is complete. Record the maximum force required to cause separation.

Other speeds of separation may be used to examine the viscoelastic behaviour of the bond (see Annex A). In such cases, the use of logarithmic increments in the speed of separation is recommended.

7.2 An autographic recording of the force of adhesion over the full length of the test piece can also be made.

7.3 During the test, cut the rubber back to the substrate with the knife whenever the rubber tends to tear.

8 Expression of results

8.1 Adhesion strength

Calculate the adhesion strength, in newtons per millimetre, by dividing the maximum force, in newtons, recorded in 7.1 by the width, in millimetres, of the test piece.

8.2 Adhesion failure symbols

Assess the type of failure, using the following symbols:

- R When the failure is in the rubber.
- RC When the failure is at the interface between the rubber and the layer of adhesive.
- CP When the failure is at the interface between the layer of adhesive and the primer (if used).
- PS When the failure is at the interface between the primer (if used) and the substrate.
- CS When the failure is at the interface between the adhesive and the substrate (when no primer is used).
- D When the failure is at the interface between the rubber and the substrate in the case of direct adhesion, i.e. no adhesive used.
- S When the failure is in the substrate.

9 Precision

No precision data are currently available for this method.

10 Test report

The test report shall include the following information:

- a) the following sample details:
 - 1) a full description of the sample and its origin;
 - 2) the time and temperature of forming;
 - 3) the date of forming;
 - 4) the substrate used;
 - 5) the details of the adhesive system;
- b) a reference to this International Standard, i.e. ISO 813;
- c) the following test details:
 - 1) the time and temperature of conditioning prior to test;
 - 2) the temperature of test;
 - 3) the details of any procedures not specified in this International Standard;
- d) the following test results:
 - 1) the number of test pieces used;
 - 2) the individual test results;
 - 3) the type of failure, expressed in accordance with [8.2](#);
- e) the date of the test.

Annex A (informative)

Analysis of the viscoelastic behaviour of the bond

If, for a given system, tests are carried out at several speeds and several temperatures in order to achieve a better understanding of the viscoelastic behaviour of the bond, covering the transition from cohesive failure to adhesive failure of the test piece, the adhesion strength (see [8.1](#)) may be plotted on a graph as a function of speed for each temperature. A semi-logarithmic graph is used, with the adhesion strength along the *y*-axis on a linear scale and speed along the *x*-axis on a logarithmic scale. All the isothermal curves may be drawn on the same graph.

NOTE These data can be subjected to further processing based on the assumption that there is a degree of equivalence between the time dependence and the temperature dependence of the relaxation mechanisms of rubbers (the Williams, Landel and Ferry transform). Thus, it is possible to draw a single master curve representing, for a standard temperature, the adhesion behaviour over a range of speeds much wider than could be obtained experimentally, and showing the transition from one mode of failure to the other. The data-processing technique used is not specific to adhesion behaviour and is, therefore, not described here. For further information, the reader is referred to the publications given in the Bibliography.

Annex B (normative)

Calibration schedule

B.1 Inspection

Before any calibration is undertaken, the condition of the items to be calibrated shall be ascertained by inspection and recorded in a calibration report or certificate. It shall be reported whether calibration is made in the “as-received” condition or after rectification of any abnormality or fault.

It shall be ascertained that the apparatus is generally fit for the intended purpose, including any parameters specified as approximate and for which the apparatus does not therefore need to be formally calibrated. If such parameters are liable to change, then the need for periodic checks shall be written into the detailed calibration procedures.

B.2 Schedule

Verification/calibration of the test apparatus is a normative part of this International Standard. The frequency of calibration and the procedures used are, unless otherwise stated, at the discretion of the individual laboratory, using ISO 18899 for guidance.

The calibration schedule given in [Table B.1](#) has been compiled by listing all of the parameters specified in the test method, together with the specified requirement. A parameter and requirement can relate to the main test apparatus, to part of that apparatus or to an ancillary apparatus necessary for the test.

For each parameter, a calibration procedure is indicated by reference to ISO 18899, to another publication or to a procedure particular to the test method which is detailed (whenever a calibration procedure which is more specific or detailed than that in ISO 18899 is available, it shall be used in preference).

The verification frequency for each parameter is given by a code-letter. The code-letters used in the calibration schedule are the following:

- C requirement to be confirmed but no measurement;
- S standard interval as advised in ISO 18899;
- U in use.

In addition to the items listed, some standards assume the use of “normal” laboratory apparatus, e.g. timers, beakers, etc. These may need calibrating in accordance with the appropriate procedure given in ISO 18899. Also, there may be items specified in the relevant cited standard which have a dimension, for example a 250 ml flask. Where the size has no particular significance, other than convenience of use, these items will not need to be calibrated.

Most standards for the testing of materials require the test piece to be conditioned. This implies the use of a thermometer and, possibly, a hygrometer, both of which will require calibration. Standard conditioning and test temperatures and humidities cited in the relevant standard have not been repeated in the schedule.

Test piece dimensions are usually specified. This implies the use of dimension-measuring instruments which will require calibration. Test piece dimensions cited in the relevant standard have not been repeated in the schedule.

Table B.1 — Calibration frequency schedule

Parameter	Requirement	Subclause in ISO 18899:2013	Verification frequency guide	Notes
Tensile-testing machine	As in ISO 5893			
Force accuracy	Class 1	21.1	S	Inertialess dynamometer preferred
Rate of traverse	50 mm/min ± 5 mm/min	23.4	S	
Direction of pull	Near perpendicular to plane of rubber/substrate bond	Annex C	U	e.g. fixture in Figure 1
Grip	No slip or rupture of rubber	Annex C	U	
Rigid substrate	Sufficiently thick	15.2	U	Thickness of 1,5 mm ± 0,1 mm recommended for metal
	25 mm ± 0,1 mm wide	15.2	U	
	60 mm ± 1 mm long	15.2	U	
Bonded area	(25 mm × 25 mm) ± 0,1 mm	15.2	U	
Materials	Solvent as recommended Adhesive system			

Bibliography

- [1] ISO 11346, *Rubber, vulcanized or thermoplastic — Estimation of life-time and maximum temperature of use*
- [2] WILLIAMS M.L., LANDEL R.F., FERRY J.D. The temperature dependence of relaxation mechanisms in amorphous polymers and other glass-forming liquids. *J. Am. Chem. Soc.* 1955, **77** p. 3701
- [3] FERRY J.D. Dependence of viscoelastic behaviour on temperature and pressure in *Viscoelastic Properties of Polymers*, J. Wiley, New York, Third Edition, 1980, pp. 264.
- [4] AKLONIS J.J., & MACKNIGHT W.J. Time-temperature correspondance in *Introduction to Polymer Viscoelasticity*, J. Wiley, New York, Second Edition, 1983, pp. 46.

British Standards Institution (BSI)

BSI is the national body responsible for preparing British Standards and other standards-related publications, information and services.

BSI is incorporated by Royal Charter. British Standards and other standardization products are published by BSI Standards Limited.

About us

We bring together business, industry, government, consumers, innovators and others to shape their combined experience and expertise into standards-based solutions.

The knowledge embodied in our standards has been carefully assembled in a dependable format and refined through our open consultation process. Organizations of all sizes and across all sectors choose standards to help them achieve their goals.

Information on standards

We can provide you with the knowledge that your organization needs to succeed. Find out more about British Standards by visiting our website at bsigroup.com/standards or contacting our Customer Services team or Knowledge Centre.

Buying standards

You can buy and download PDF versions of BSI publications, including British and adopted European and international standards, through our website at bsigroup.com/shop, where hard copies can also be purchased.

If you need international and foreign standards from other Standards Development Organizations, hard copies can be ordered from our Customer Services team.

Copyright in BSI publications

All the content in BSI publications, including British Standards, is the property of and copyrighted by BSI or some person or entity that owns copyright in the information used (such as the international standardization bodies) and has formally licensed such information to BSI for commercial publication and use.

Save for the provisions below, you may not transfer, share or disseminate any portion of the standard to any other person. You may not adapt, distribute, commercially exploit, or publicly display the standard or any portion thereof in any manner whatsoever without BSI's prior written consent.

Storing and using standards

Standards purchased in soft copy format:

- A British Standard purchased in soft copy format is licensed to a sole named user for personal or internal company use only.
- The standard may be stored on more than 1 device provided that it is accessible by the sole named user only and that only 1 copy is accessed at any one time.
- A single paper copy may be printed for personal or internal company use only.

Standards purchased in hard copy format:

- A British Standard purchased in hard copy format is for personal or internal company use only.
- It may not be further reproduced – in any format – to create an additional copy. This includes scanning of the document.

If you need more than 1 copy of the document, or if you wish to share the document on an internal network, you can save money by choosing a subscription product (see 'Subscriptions').

Reproducing extracts

For permission to reproduce content from BSI publications contact the BSI Copyright & Licensing team.

Subscriptions

Our range of subscription services are designed to make using standards easier for you. For further information on our subscription products go to bsigroup.com/subscriptions.

With **British Standards Online (BSOL)** you'll have instant access to over 55,000 British and adopted European and international standards from your desktop. It's available 24/7 and is refreshed daily so you'll always be up to date.

You can keep in touch with standards developments and receive substantial discounts on the purchase price of standards, both in single copy and subscription format, by becoming a **BSI Subscribing Member**.

PLUS is an updating service exclusive to BSI Subscribing Members. You will automatically receive the latest hard copy of your standards when they're revised or replaced.

To find out more about becoming a BSI Subscribing Member and the benefits of membership, please visit bsigroup.com/shop.

With a **Multi-User Network Licence (MUNL)** you are able to host standards publications on your intranet. Licences can cover as few or as many users as you wish. With updates supplied as soon as they're available, you can be sure your documentation is current. For further information, email subscriptions@bsigroup.com.

Revisions

Our British Standards and other publications are updated by amendment or revision.

We continually improve the quality of our products and services to benefit your business. If you find an inaccuracy or ambiguity within a British Standard or other BSI publication please inform the Knowledge Centre.

Useful Contacts

Customer Services

Tel: +44 345 086 9001

Email (orders): orders@bsigroup.com

Email (enquiries): cservices@bsigroup.com

Subscriptions

Tel: +44 345 086 9001

Email: subscriptions@bsigroup.com

Knowledge Centre

Tel: +44 20 8996 7004

Email: knowledgecentre@bsigroup.com

Copyright & Licensing

Tel: +44 20 8996 7070

Email: copyright@bsigroup.com

BSI Group Headquarters

389 Chiswick High Road London W4 4AL UK