

BS ISO 501:2012



BSI Standards Publication

Hard coal — Determination of the crucible swelling number

bsi.

...making excellence a habit.™

National foreword

This British Standard is the UK implementation of ISO 501:2012. It supersedes BS 1016-107.1:1991 which is withdrawn.

The UK participation in its preparation was entrusted to Technical Committee PTI/16, Solid mineral fuels.

A list of organizations represented on this committee can be obtained on request to its secretary.

This publication does not purport to include all the necessary provisions of a contract. Users are responsible for its correct application.

© The British Standards Institution 2012. Published by BSI Standards Limited 2012

ISBN 978 0 580 73550 9

ICS 73.040

Compliance with a British Standard cannot confer immunity from legal obligations.

This British Standard was published under the authority of the Standards Policy and Strategy Committee on 31 August 2012.

Amendments issued since publication

Date	Text affected
------	---------------

INTERNATIONAL
STANDARD

BS ISO 501:2012

ISO
501

Fourth edition
2012-09-01

**Hard coal — Determination of the
crucible swelling number**

Houille — Détermination de l'indice de gonflement au creuset



Reference number
ISO 501:2012(E)

© ISO 2012



COPYRIGHT PROTECTED DOCUMENT

© ISO 2012

All rights reserved. Unless otherwise specified, no part of this publication may be reproduced or utilized in any form or by any means, electronic or mechanical, including photocopying and microfilm, without permission in writing from either ISO at the address below or ISO's member body in the country of the requester.

ISO copyright office
Case postale 56 • CH-1211 Geneva 20
Tel. + 41 22 749 01 11
Fax + 41 22 749 09 47
E-mail copyright@iso.org
Web www.iso.org

Published in Switzerland

Contents

	Page
Foreword	iv
1 Scope	1
2 Normative references	1
3 Principle	1
4 Preparation of the test sample	1
5 Apparatus	1
6 Preparation of apparatus	3
7 Procedure	5
8 Expression of results	7
9 Precision of the method	7
9.1 Repeatability	7
9.2 Reproducibility	7
10 Test report	7

Foreword

ISO (the International Organization for Standardization) is a worldwide federation of national standards bodies (ISO member bodies). The work of preparing International Standards is normally carried out through ISO technical committees. Each member body interested in a subject for which a technical committee has been established has the right to be represented on that committee. International organizations, governmental and non-governmental, in liaison with ISO, also take part in the work. ISO collaborates closely with the International Electrotechnical Commission (IEC) on all matters of electrotechnical standardization.

International Standards are drafted in accordance with the rules given in the ISO/IEC Directives, Part 2.

The main task of technical committees is to prepare International Standards. Draft International Standards adopted by the technical committees are circulated to the member bodies for voting. Publication as an International Standard requires approval by at least 75 % of the member bodies casting a vote.

Attention is drawn to the possibility that some of the elements of this document may be the subject of patent rights. ISO shall not be held responsible for identifying any or all such patent rights.

ISO 501 was prepared by Technical Committee ISO/TC 27, *Solid mineral fuels*, Subcommittee SC 5, *Methods of analysis*.

This fourth edition cancels and replaces the third edition (ISO 501:2003), which has been technically revised.

Hard coal — Determination of the crucible swelling number

WARNING — Use of this International Standard can involve hazardous materials, operations and equipment. This International Standard does not purport to address all of the safety issues associated with its use. It is the responsibility of the user of this International Standard to establish appropriate safety and health practices and determine the applicability of regulatory limitations prior to use.

1 Scope

This International Standard specifies a method for determining the swelling properties of hard coal when heated in a covered crucible.

NOTE The “crucible swelling number” (CSN) is also known as the “free swelling index” (FSI).

2 Normative references

The following referenced documents are indispensable for the application of this document. For dated references, only the edition cited applies. For undated references, the latest edition of the referenced document (including any amendments) applies.

ISO 13909-4, *Hard coal and coke — Mechanical sampling — Part 4: Coal — Preparation of test samples*

ISO 18283, *Hard coal and coke — Manual sampling*

3 Principle

A sample of coal is heated in a covered crucible under standard conditions of time and temperature. The shape of the coke button obtained is classified by comparison with the outlines of a set of standard profiles.

4 Preparation of the test sample

The test sample shall be the general analysis test sample prepared in accordance with ISO 13909-4 and ISO 18283. Ensure that the moisture content of the sample is in equilibrium with the laboratory atmosphere, exposing it, if necessary, in a thin layer for the minimum time required to achieve equilibrium.

The sample used for the crucible swelling number (CSN) test should be ground to pass a 212 μm sieve. Avoid very fine grinding, as CSN can be adversely affected with pulverization level. Once the sample is prepared to this size specification, the test should be performed within 24 h in order to avoid oxidation and a potentially misleading CSN result.

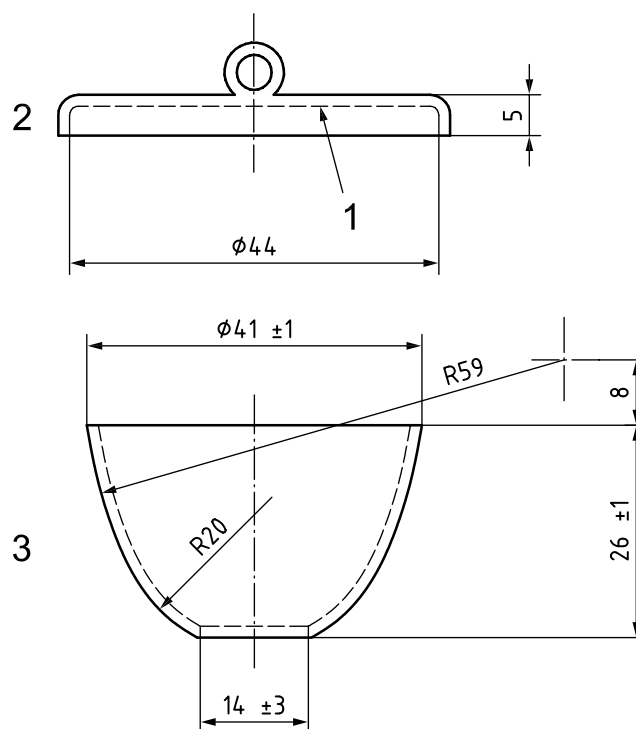
5 Apparatus

5.1 Crucible and lid (see Figure 1): silica crucible, squat form, and silica lid with ring handle.

The crucible shall conform to the following specifications:

External height:	$26 \pm 1,0$ mm
External diameter at top:	$41 \pm 1,0$ mm
Internal diameter at base:	$14 \pm 3,0$ mm
Mass:	$12 \pm 1,0$ g
Capacity:	16 ml to 17,5 ml

Dimensions in millimetres



Key

- 1 flat surface required
- 2 lid
- 3 crucible

Figure 1 — Crucible with lid for swelling test

5.2 Pierced silica lid (see Figure 2), similar to that described in 5.1 but with a 6 mm hole through which the thermocouple (5.7) can pass.

Dimensions in millimetres

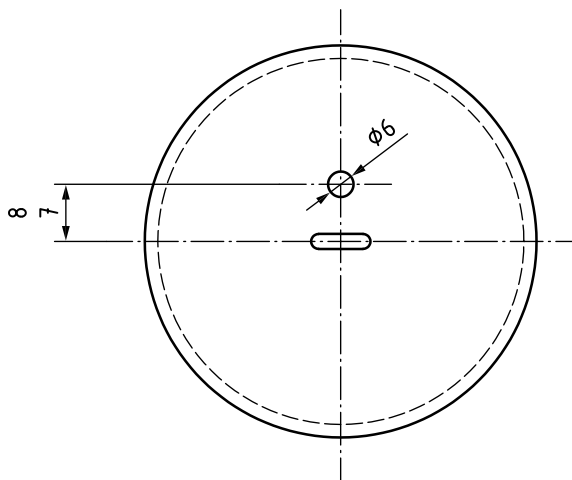


Figure 2 — Pierced crucible lid

5.3 Triangle, consisting of silica tubing of 6 mm to 6,5 mm external diameter, mounted on nickel/chromium wire, or formed of solid silica, the length of each side being approximately 55 mm to 60 mm.

5.4 Burner, capable of giving the required standard heating conditions.

For coal gas with a calorific value of approximately 20 MJ/m³, a Teclu-type burner having a burner tube with an internal diameter of approximately 12,5 mm has been found satisfactory. For natural gas or LPG with a calorific value of approximately 30 MJ/m³ to 40 MJ/m³, a Teclu- or Meker-type burner could be used. For these types of gases, the diameter of the burner tube or burner grid should be approximately 30 mm.

Alternatively, an electrical heating system may be used, provided that it has been shown to give results within 1/2 unit of that obtained with the gas heating method over the whole range of swelling numbers.

5.5 Gauge, for measuring gas pressure.

5.6 Draught shield, made from refractory piping approximately 150 mm in length, of 100 mm internal diameter and 110 mm external diameter. At one end, the piping shall have three slots 25 mm deep in which the wire portions of the silica triangle rest (5.3) (see Figure 3).

5.7 Thermocouple, sheathed, of fine wire of diameter not greater than 0,5 mm if made of noble metals, or 0,8 mm if made of base metal.

5.8 Weight, of mass 500 g ± 10 g.

5.9 Sight tube, made of any rigid and opaque material, for viewing the coke buttons, to avoid the effect of parallax (see Figure 4).

6 Preparation of apparatus

Assemble the apparatus as shown in Figure 3. Place an empty crucible (5.1) on the silica triangle (5.3) and support the crucible in the draught shield (5.6). Adjust the gas and air supplies to the burner (5.4), so that the temperature of the inner surface of the base of the crucible reaches 800 °C ± 10 °C in 1,5 min and 820 °C ± 5 °C in 2,5 min from first igniting the gas. Finally, heat a crucible in the apparatus for at least 5 min. Replace the crucible and check the temperatures again. Make any minor adjustments that are necessary to meet the standard conditions.

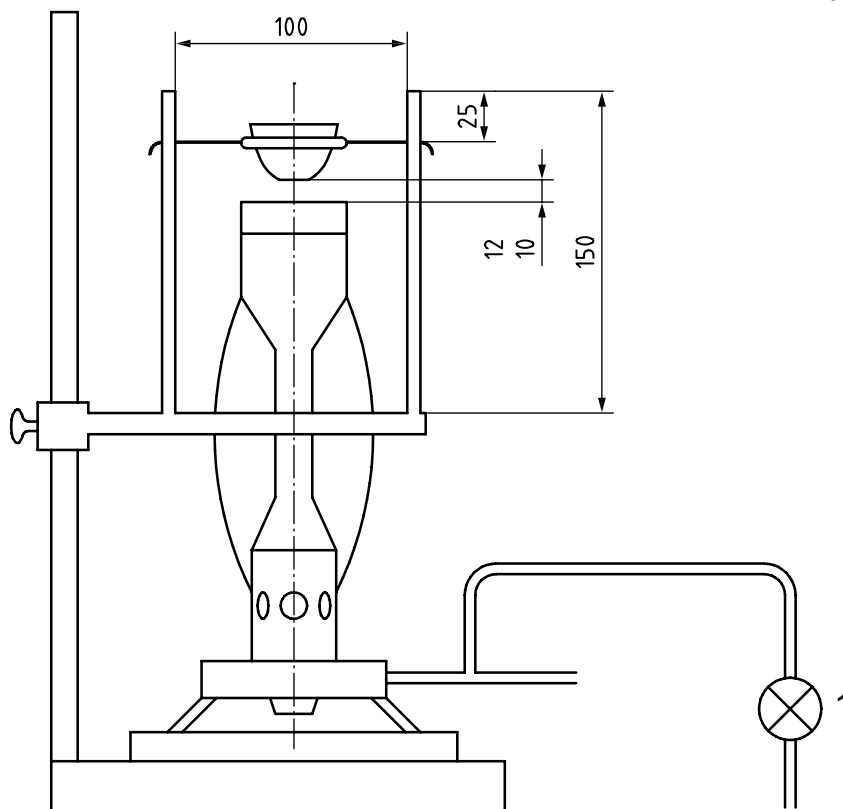
If a Teclu-type burner is used, a flame approximately 300 mm long, with the crucible positioned just above the tip of the blue cone, will generally be found to give the standard temperature conditions.

If a Meker-type burner is used, place the crucible approximately 10 mm above the burner grid and adjust the flame so that the standard temperature conditions are attained.

Measure the temperature using a thermocouple (5.7) inserted through the pierced lid (5.2) and having its unprotected junction and a portion of each wire in contact with the centre of the base of the empty crucible. A temperature of $800\text{ }^{\circ}\text{C} \pm 10\text{ }^{\circ}\text{C}$ should be attained after 1,5 min and one of $820\text{ }^{\circ}\text{C} \pm 5\text{ }^{\circ}\text{C}$ after 2,5 min.

Check the apparatus at frequent intervals to ensure that the standard conditions apply.

Dimensions in millimetres

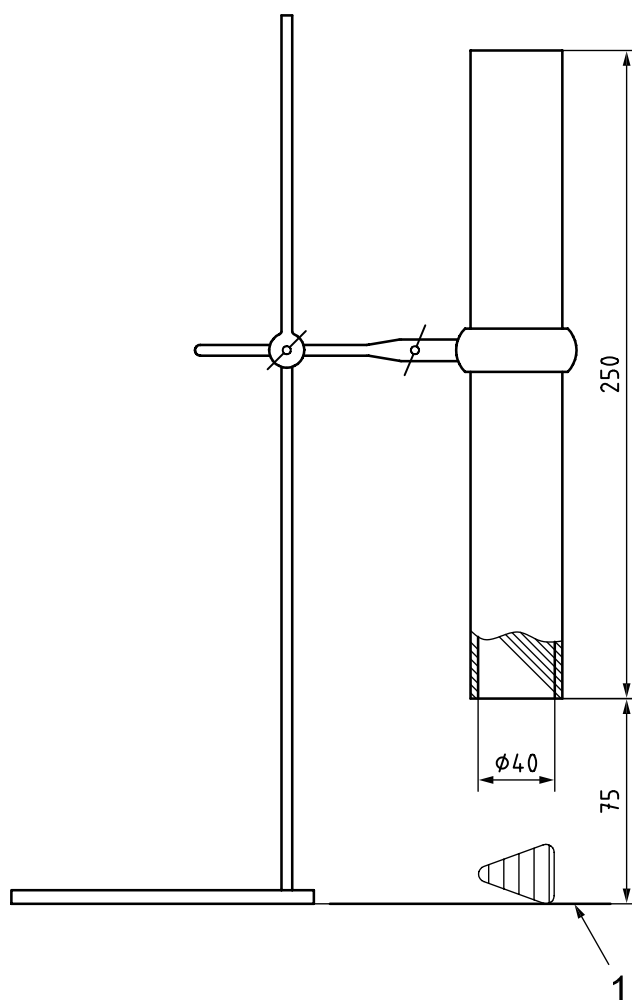


Key

- 1 pressure gauge graduated in kilopascals

Figure 3 — Apparatus for the gas heating method

Dimensions in millimetres



Key

- 1 standard profile template

Figure 4 — Sight tube apparatus

7 Procedure

Preheat the apparatus for approximately 5 min.

Weigh 1,00 g to 1,01 g of the freshly ground sample (see Clause 4) into a clean, dry crucible (5.1) and rotate the crucible if necessary while lightly tapping it 12 times on the bench to level the surface of the coal. Cover the crucible with the unpierced lid and place the crucible upright on the silica triangle (5.3), supported in the draught shield (5.6). Light the gas and heat at the predetermined rate for such time as is required for the flame of the burning volatile matter to die out, and in any case for at least 2,5 min. Turn off the gas and allow the crucible to cool.

Remove the residue carefully from the crucible.

Perform the test in triplicate.

If the residue is non-coherent, for example mostly loose powder, no further examination is needed and this result shall be designated as swelling number 0.

If the residue is a coherent coke button but is not swollen, place the button onto a flat surface and rest the 500 g weight (5.8) on the button. If the button supports the 500 g weight without breaking into more

than two hard pieces, designate the result as swelling number 1. If the button crumbles, disintegrates or breaks into more than two pieces, then designate the result as swelling number 1/2.

If the coke button is swollen, compare the button with the standard numbered profiles shown in Figure 5. The button can be examined through the sight tube apparatus (Figure 4) (optional) in order to avoid the effect of parallax. Rotate the button about the button's vertical axis so that the largest profile of the button is presented for comparison; designate the result by the swelling number inscribed in the outline of the profile in Figure 5 which the button most nearly matches. For coke buttons that do not conform in shape to the standard profiles, the overlapping areas may be fitted by estimation into the uncovered areas of the standard profiles.

IMPORTANT — If printing a copy of Figure 5 from an electronic version of this International Standard, ensure that no scaling or magnification is applied by selecting the print option “Actual size”, or “None” under page scaling. To verify that the printed copy is sized correctly, measure the 30 mm scale bar.

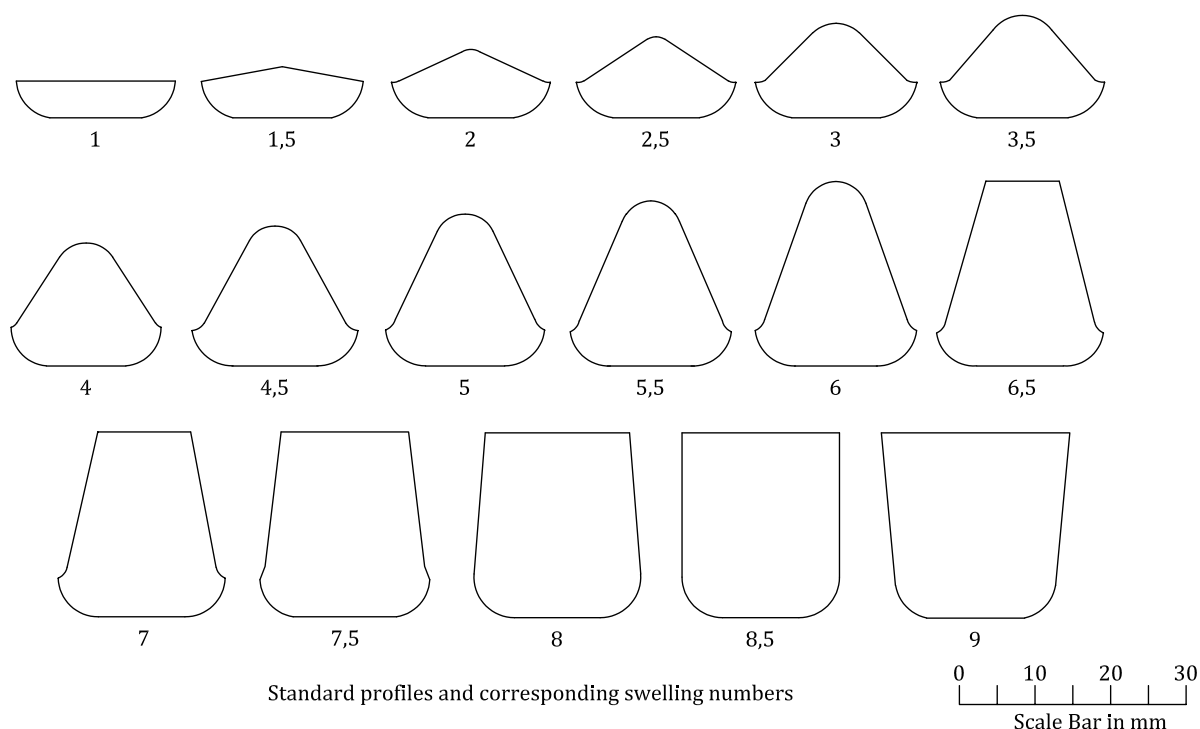


Figure 5 — Determination of crucible swelling number — Standard profiles (actual size) and corresponding swelling numbers (courtesy of British Standards)

After each test, burn off the carbon residue, cool, and wipe the crucible and lid with a clean cloth.

If the spread of values for an initial three determinations is 1/2 or less, average the three values and report the average value. If the spread of values for an initial three determinations exceeds 1/2, carry out two more single determinations. If the five results agree to within one unit, average the five values and report the average value. If the five results do not agree to within one unit, repeat the five determinations. From the 10 determinations, throw out the lowest value and the highest value, average the remaining eight values and report the average value.

8 Expression of results

Report the swelling number of the coal sample as follows:

Swelling number 0:	non-coherent residue
Swelling number 1/2:	non-swollen coke button that crumbles, disintegrates or breaks into more than two pieces under the 500 g weight
Swelling number 1:	non-swollen coke button that supports the 500 g weight without breaking into more than two hard, coherent pieces
Swelling number 1 1/2 to 9:	number of the profile in Figure 5 that a swollen coke button most nearly matches
Swelling number greater than 9:	profile exceeds that for swelling number 9

Report the mean swelling number to the nearest 1/2 unit.

NOTE It is acceptable to report 1/2 as 0,5, and profiles greater than 9 as > 9 or 9+.

9 Precision of the method

9.1 Repeatability

The range of the results of either three or five tests, carried out in the same laboratory by the same operator using the same apparatus on the same analysis sample, shall not exceed the values given in Table 1.

9.2 Reproducibility

The means of the five results obtained in each of two different laboratories on representative portions taken from the same sample after the last stage of sample preparation shall not differ by more than the values given in Table 1.

Table 1 — Precision values for crucible swelling number

Number of determinations	Maximum acceptable difference between results	
	Same laboratory (Repeatability)	Different laboratory (Reproducibility)
3 determinations	1/2	
5 determinations	1	1

10 Test report

The test report shall include the following particulars:

- identification of the sample tested;
- a reference to this International Standard, i.e. ISO 501;
- result of the determination.

British Standards Institution (BSI)

BSI is the national body responsible for preparing British Standards and other standards-related publications, information and services.

BSI is incorporated by Royal Charter. British Standards and other standardization products are published by BSI Standards Limited.

About us

We bring together business, industry, government, consumers, innovators and others to shape their combined experience and expertise into standards-based solutions.

The knowledge embodied in our standards has been carefully assembled in a dependable format and refined through our open consultation process. Organizations of all sizes and across all sectors choose standards to help them achieve their goals.

Information on standards

We can provide you with the knowledge that your organization needs to succeed. Find out more about British Standards by visiting our website at bsigroup.com/standards or contacting our Customer Services team or Knowledge Centre.

Buying standards

You can buy and download PDF versions of BSI publications, including British and adopted European and international standards, through our website at bsigroup.com/shop, where hard copies can also be purchased.

If you need international and foreign standards from other Standards Development Organizations, hard copies can be ordered from our Customer Services team.

Subscriptions

Our range of subscription services are designed to make using standards easier for you. For further information on our subscription products go to bsigroup.com/subscriptions.

With **British Standards Online (BSOL)** you'll have instant access to over 55,000 British and adopted European and international standards from your desktop. It's available 24/7 and is refreshed daily so you'll always be up to date.

You can keep in touch with standards developments and receive substantial discounts on the purchase price of standards, both in single copy and subscription format, by becoming a **BSI Subscribing Member**.

PLUS is an updating service exclusive to BSI Subscribing Members. You will automatically receive the latest hard copy of your standards when they're revised or replaced.

To find out more about becoming a BSI Subscribing Member and the benefits of membership, please visit bsigroup.com/shop.

With a **Multi-User Network Licence (MUNL)** you are able to host standards publications on your intranet. Licences can cover as few or as many users as you wish. With updates supplied as soon as they're available, you can be sure your documentation is current. For further information, email bsmusales@bsigroup.com.

BSI Group Headquarters

389 Chiswick High Road London W4 4AL UK

Revisions

Our British Standards and other publications are updated by amendment or revision.

We continually improve the quality of our products and services to benefit your business. If you find an inaccuracy or ambiguity within a British Standard or other BSI publication please inform the Knowledge Centre.

Copyright

All the data, software and documentation set out in all British Standards and other BSI publications are the property of and copyrighted by BSI, or some person or entity that owns copyright in the information used (such as the international standardization bodies) and has formally licensed such information to BSI for commercial publication and use. Except as permitted under the Copyright, Designs and Patents Act 1988 no extract may be reproduced, stored in a retrieval system or transmitted in any form or by any means – electronic, photocopying, recording or otherwise – without prior written permission from BSI. Details and advice can be obtained from the Copyright & Licensing Department.

Useful Contacts:

Customer Services

Tel: +44 845 086 9001

Email (orders): orders@bsigroup.com

Email (enquiries): cservices@bsigroup.com

Subscriptions

Tel: +44 845 086 9001

Email: subscriptions@bsigroup.com

Knowledge Centre

Tel: +44 20 8996 7004

Email: knowledgecentre@bsigroup.com

Copyright & Licensing

Tel: +44 20 8996 7070

Email: copyright@bsigroup.com



...making excellence a habit.™