

BS EN 62106:2015



BSI Standards Publication

**Specification of the radio
data system (RDS) for
VHF/FM sound broadcasting
in the frequency range from
87,5 MHz to 108,0 MHz**

bsi.

...making excellence a habit.™

National foreword

This British Standard is the UK implementation of EN 62106:2015. It is identical to IEC 62106:2015. It supersedes BS EN 62106:2009, which will be withdrawn on 4 May 2018.

The UK participation in its preparation was entrusted to Technical Committee EPL/100, Audio, video and multimedia systems and equipment.

A list of organizations represented on this committee can be obtained on request to its secretary.

This publication does not purport to include all the necessary provisions of a contract. Users are responsible for its correct application.

© The British Standards Institution 2015.

Published by BSI Standards Limited 2015

ISBN 978 0 580 80690 2

ICS 33.060.20; 33.170; 35.240.99

Compliance with a British Standard cannot confer immunity from legal obligations.

This British Standard was published under the authority of the Standards Policy and Strategy Committee on 31 May 2015.

Amendments/corrigenda issued since publication

Date	Text affected
------	---------------

English Version

Specification of the radio data system (RDS)
for VHF/FM sound broadcasting in the frequency range
from 87,5 MHz to 108,0 MHz
(IEC 62106:2015)

Spécification du système de radiodiffusion de données
(RDS) pour la radiodiffusion sonore VHF/FM dans la bande
de fréquences de 87,5 MHz à 108,0 MHz
(IEC 62106:2015)

Spezifikation des Radio-Daten-Systems (RDS)
für den VHF/FM-Tonrundfunk im Frequenzbereich
87,5 MHz bis 108,0 MHz
(IEC 62106:2015)

This European Standard was approved by CENELEC on 2015-05-04. CENELEC members are bound to comply with the CEN/CENELEC Internal Regulations which stipulate the conditions for giving this European Standard the status of a national standard without any alteration.

Up-to-date lists and bibliographical references concerning such national standards may be obtained on application to the CEN-CENELEC Management Centre or to any CENELEC member.

This European Standard exists in three official versions (English, French, German). A version in any other language made by translation under the responsibility of a CENELEC member into its own language and notified to the CEN-CENELEC Management Centre has the same status as the official versions.

CENELEC members are the national electrotechnical committees of Austria, Belgium, Bulgaria, Croatia, Cyprus, the Czech Republic, Denmark, Estonia, Finland, Former Yugoslav Republic of Macedonia, France, Germany, Greece, Hungary, Iceland, Ireland, Italy, Latvia, Lithuania, Luxembourg, Malta, the Netherlands, Norway, Poland, Portugal, Romania, Slovakia, Slovenia, Spain, Sweden, Switzerland, Turkey and the United Kingdom.



European Committee for Electrotechnical Standardization
Comité Européen de Normalisation Electrotechnique
Europäisches Komitee für Elektrotechnische Normung

CEN-CENELEC Management Centre: Avenue Marnix 17, B-1000 Brussels

Foreword

The text of document 100/2122A/CDV, future edition 3 of IEC 62106, prepared by Technical Area 1 "Terminals for audio, video and data services and contents" of IEC/TC 100 "Audio, video and multimedia systems and equipment" was submitted to the IEC-CENELEC parallel vote and approved by CENELEC as EN 62106:2015.

The following dates are fixed:

- latest date by which the document has to be implemented at national level by publication of an identical national standard or by endorsement (dop) 2016-02-04
- latest date by which the national standards conflicting with the document have to be withdrawn (dow) 2018-05-04

This document supersedes EN 62106:2009.

Attention is drawn to the possibility that some of the elements of this document may be the subject of patent rights. CENELEC [and/or CEN] shall not be held responsible for identifying any or all such patent rights.

Endorsement notice

The text of the International Standard IEC 62106:2015 was approved by CENELEC as a European Standard without any modification.

In the official version, for Bibliography, the following note has to be added for the standard indicated :

IEC 62634	NOTE	Harmonized as EN 62634.
ISO 3166 Series	NOTE	Only Part 1 harmonized as EN ISO 3166-1.

Annex ZA (normative)

Normative references to international publications with their corresponding European publications

The following documents, in whole or in part, are normatively referenced in this document and are indispensable for its application. For dated references, only the edition cited applies. For undated references, the latest edition of the referenced document (including any amendments) applies.

NOTE 1 When an International Publication has been modified by common modifications, indicated by (mod), the relevant EN/HD applies.

NOTE 2 Up-to-date information on the latest versions of the European Standards listed in this annex is available here: www.cenelec.eu

<u>Publication</u>	<u>Year</u>	<u>Title</u>	<u>EN/HD</u>	<u>Year</u>
ISO/IEC 10646	2014	Information technology - Universal Coded Character Set (UCS)	-	-
ISO 14819	Series	Intelligent transport systems - Traffic and travel information messages via traffic message coding	EN ISO 14819	Series
ITU-R Recommendation BS.450-3	-	Transmission standards for FM sound broadcasting at VHF	-	-
ITU-R Recommendation BS.643-3	-	Radio data system for automatic tuning and other applications in FM radio receivers for use with pilot-tone system	-	-
ITU-T Recommendation E.212	-	The international identification plan for public networks and subscriptions: For the three digit Mobile Country Codes used in Annex M of this RDS specification refer to Complement to ITU-T Rec. E.212 (05/2004) published by ITU Geneva as Annex to ITU Operational Bulletin 897, dated 2007-12-01	-	-
US NRSC-4-B		National Radio Systems Committee - NRSC-4-A: United States RBDS standard		
ETSI EN 301 700	-	Digital Audio Broadcasting (DAB); VHF/FM Broadcasting: cross-referencing to simulcast DAB services by RDS-ODA 147	-	-

CONTENTS

FOREWORD.....	9
INTRODUCTION.....	11
1 Scope.....	12
2 Normative references.....	12
3 Abbreviations	12
4 Modulation characteristics of the data channel (physical layer)	13
4.1 General.....	13
4.2 Subcarrier frequency	14
4.3 Subcarrier phase.....	15
4.4 Subcarrier level.....	15
4.5 Method of modulation	15
4.6 Clock-frequency and data-rate.....	15
4.7 Differential coding	16
4.8 Data-channel spectrum shaping.....	16
5 Baseband coding (data-link layer)	19
5.1 Baseband coding structure	19
5.2 Order of bit transmission	20
5.3 Error protection.....	21
5.4 Synchronisation of blocks and groups.....	21
6 Message format (session and presentation layers)	22
6.1 Addressing.....	22
6.1.1 Design principles	22
6.1.2 Principal features	22
6.1.3 Group types.....	23
6.1.4 Open data channel/Applications Identification	25
6.1.5 Coding of the group types	27
6.2 Coding of information	44
6.2.1 General	44
6.2.2 Coding of information for control.....	44
6.2.3 Coding and use of information for display	54
6.2.4 Coding of clock time and date (CT).....	54
6.2.5 Coding of information for Transparent Data Channels (TDC).....	55
6.2.6 Coding of information for in house applications (IH)	55
6.2.7 Coding of Radio Paging (RP).....	55
6.2.8 Coding of Emergency Warning Systems (EWS)	56
7 Description of features.....	57
7.1 Alternative frequencies list (AF).....	57
7.2 Clock Time and date (CT).....	57
7.3 Decoder Identification (DI) and dynamic PTY Indicator (PTYI).....	57
7.4 Extended Country Code (ECC)	57
7.5 Enhanced Other Networks information (EON)	57
7.6 Emergency Warning System (EWS).....	57
7.7 In House application (IH).....	57
7.8 Music Speech switch (MS).....	58
7.9 Open Data Applications (ODA)	58
7.10 Programme Identification (PI)	58

7.11	Programme Item Number (PIN).....	59
7.12	Programme Service name (PS).....	59
7.13	Programme Type (PTY).....	59
7.14	Programme Type Name (PTYN)	59
7.15	Radio Paging (RP)	59
7.16	RadioText (RT)	59
7.17	Enhanced RadioText (eRT)	59
7.18	RadioText Plus (RT+).....	60
7.19	Traffic Announcement identification (TA)	60
7.20	Transparent Data Channels (TDC).....	60
7.21	Traffic Message Channel (TMC)	60
7.22	Traffic Programme identification (TP).....	60
8	Marking	60
Annex A (normative) Offset words to be used for group and block synchronisation		62
Annex B (informative) Theory and implementation of the modified shortened cyclic code.....		63
B.1	General.....	63
B.2	Encoding procedure	63
B.2.1	Theory	63
B.2.2	Shift-register implementation of the encoder	65
B.3	Decoding procedure	65
B.3.1	Theory	65
B.3.2	Implementation of the decoder	67
Annex C (informative) Implementation of group and block synchronisation using the modified shortened cyclic code		69
C.1	Theory	69
C.1.1	Acquisition of group and block synchronisation	69
C.1.2	Detection of loss of synchronisation	69
C.2	Shift register arrangement for deriving group and block synchronisation information.....	69
Annex D (normative) Programme identification codes and extended country codes		72
D.1	General.....	72
D.2	PI structure	72
D.3	Extended country codes	72
D.4	Country codes: 'Nibble 1'	73
D.5	Programme in terms of area coverage (codes for fixed location transmitters only): 'Nibble 2'	76
D.6	Programme reference number: 'Nibbles 3 and 4'	76
D.7	PI codes for low-power short range transmitting devices	77
Annex E (normative) Basic and extended RDS character sets		78
Annex F (normative) Programme type codes		98
Annex G (informative) Conversion between time and date conventions		101
Annex H (informative) ARI (Autofahrer-Rundfunk-Information) system – Discontinuation		103
Annex J (normative) Language identification		104
Annex K (informative) RDS logo		106
Annex L (informative) Open data registration.....		107
Annex M (normative) Coding of Radio Paging (RP).....		110

M.1	General.....	110
M.2	Basic paging protocol.....	110
M.2.1	Coding characteristics for paging.....	110
M.2.2	Transmitter network group designation	111
M.2.3	Locking to a channel	113
M.2.4	Loss of synchronization.....	113
M.2.5	Group type 7A message format	113
M.3	Enhanced paging	119
M.3.1	General	119
M.3.2	Multi-operator/area paging	119
M.3.3	Extension of paging addressing mode	126
M.3.4	Battery saving mode	126
M.3.5	Group type 7A message format	129
M.3.6	Address notification bit versus pager individual address.....	138
M.4	Examples of the traffic handling capacity of the specified radio paging system.....	139
Annex N (normative) Country codes and extended country codes for countries outside the European Broadcasting Area.....		142
N.1	African Broadcasting Area	142
N.2	Allocations of symbols for countries in ITU Region 2	144
N.3	Allocations of symbols for countries in ITU Region 3	146
Annex P (normative) Coding of RadioText Plus information (RT+).....		148
P.1	General.....	148
P.2	Definitions.....	148
P.3	RT+ tag	149
P.4	RT+ information elements and data model	150
P.4.1	General	150
P.4.2	List of RT/eRT content types	150
P.4.3	Structures of RT+ messages	151
P.4.4	Receiver data model	152
P.5	Coding RT+ in ODA groups	153
P.5.1	General	153
P.5.2	RT+ identification (Group type 3A).....	154
P.5.3	Coding of the RT+ tag	155
P.5.4	Clearing of RT+ messages	156
P.6	Broadcasting conventions.....	159
P.7	Receiving conventions	159
P.8	Marking.....	160
Annex Q (normative) Coding of enhanced RadioText (eRT)		161
Q.1	General.....	161
Q.2	Coding eRT in ODA groups	161
Q.2.1	General	161
Q.2.2	eRT identification (Group type 3A).....	161
Q.2.3	Coding of the eRT text string.....	162
Q.3	Broadcasting conventions.....	164
Q.4	Receiving conventions	165
Q.5	Marking.....	165
Annex R (informative) RBDS in the USA.....		166
Annex S (normative) List of RDS specific abbreviations		167

Bibliography	168
Figure 1 – Block diagram of radio-data equipment at the transmitter	14
Figure 2 – Block diagram of a typical radio-data receiver/decoder	15
Figure 3 – Amplitude response of the specified transmitter or receiver data-shaping filter 17	
Figure 4 – Amplitude response of the combined transmitter and receiver data-shaping filters	18
Figure 5 – Spectrum of biphase coded radio-data signals	18
Figure 6 – Time-function of a single biphase symbol	19
Figure 7 – 57 kHz radio-data signals	19
Figure 8 – Structure of the baseband coding	20
Figure 9 – Message format and addressing	20
Figure 10 – ODA version A groups	26
Figure 11 – ODA version B groups	27
Figure 12 – Basic tuning and switching information – Type 0A group	27
Figure 13 – Basic tuning and switching information – Type 0B group	27
Figure 14 – Programme item number and slow labelling codes – Type 1A group	29
Figure 15 – Programme Item Number – Type 1B group	30
Figure 16 – RadioText – Type 2A group	30
Figure 17 – RadioText – Type 2B group	31
Figure 18 – Application identification for open data – Type 3A group	32
Figure 19 – Open data – Type 3B group	33
Figure 20 – Clock-time and date transmission – Type 4A group	34
Figure 21 – Open data – Type 4B group	34
Figure 22 – Transparent data channels – Type 5A group	35
Figure 23 – Transparent data channels – Type 5B group	35
Figure 24 – In-house applications – Type 6A and 6B group	36
Figure 25 – Radio paging – Type 7A group	36
Figure 26 – Type 7B group	37
Figure 27 – Traffic message channel – Type 8A group	37
Figure 28 – Open data – Type 8B group	37
Figure 29 – Allocation of EWS message bits – Type 9A group	38
Figure 30 – Open data – Type 9B group	38
Figure 31 – Programme type name PTYN – Type 10A group	39
Figure 32 – Open data – Type 10B group	39
Figure 33 – Open data – Type 11A and 11B groups	40
Figure 34 – Open data – Type 12A and 12B groups	40
Figure 35 – Enhanced paging information – Type 13A group	41
Figure 36 – Open data – Type 13B group	42
Figure 37 – Enhanced other networks information – Type 14A groups	42
Figure 38 – Enhanced Other Networks information – Type 14B groups	43
Figure 39 – Open data – Type 15A group	43
Figure 40 – Fast basic tuning and switching information – Type 15B group	44

Figure 41 – Structure of Block 3 of Type 1A groups	52
Figure 42 – Structure of variant 12 of block 3 of type 14A groups (linkage information) – National link.....	53
Figure 43 – Structure of variant 12 of block 3 of type 14A groups (linkage information) – International link	53
Figure 44 – Structure of Variant 7 of Block 3 of type 1A groups for Identification of a programme carrying EWS information	56
Figure B.1 – Generator matrix of the basic shortened cyclic code in binary notation	64
Figure B.2 – Shift-register implementation of the encoder	65
Figure B.3 – Parity-check matrix of the basic shortened cyclic code	66
Figure B.4 – Shift-register implementation of the decoder	67
Figure C.1 – Group and block synchronisation detection circuit.....	70
Figure D.1 – PI structure.....	72
Figure D.2 – Structure of Variant 0 of Block 3 of type 1A groups (ECC).....	73
Figure D.3 – European Broadcasting Area – Correspondence between geographical locations and the symbols used.....	74
Figure G.1 – Conversion routes between Modified Julian Date (MJD) and Coordinated Universal Time (UTC)	101
Figure J.1 – Language identification code allocation	104
Figure M.1 – Group type 7A message format for radio paging	113
Figure M.2 – Group type 7A paging without an additional message	114
Figure M.3 – Group type 7A paging with an additional 10 digit message.....	115
Figure M.4 – Group type 7A paging with an additional 18 digit message.....	115
Figure M.5 – Group type 7A paging with an additional alphanumeric message	116
Figure M.6 – Group type 7A paging with an additional international 15 digit message.....	117
Figure M.7 – Functions message in international paging	118
Figure M.8 – Variant 0 of 1A group with PIN	120
Figure M.9 – Variant 2 of 1A group with PIN	121
Figure M.10 – Variants of 1A group without PIN.....	122
Figure M.11 – Group type 13A	128
Figure M.12 – Group type 7A paging with tone-only message	130
Figure M.13 – First 7A group of a variable-length message.....	131
Figure M.14 – Group type 7A national paging with additional alphanumeric message	132
Figure M.15 – Group type 7A national paging with additional variable-length numeric message.....	134
Figure M.16 – Group type 7A national paging with additional variable-length functions message.....	135
Figure M.17 – The two first 7A groups of an international alphanumeric message.....	136
Figure M.18 – The two first 7A groups of an international variable-length numeric message.....	137
Figure M.19 – The two first 7A groups of an international variable-length functions message.....	137
Figure M.20 – Traffic handling capacity, busy hour, call rate = 0,10 calls/pager/hour	140
Figure M.21 – Traffic handling capacity, busy hour, call rate = 0,067 calls/pager/hour	141
Figure M.22 – Traffic handling capacity, busy hour, call rate = 0,05 calls/pager/hour	141

Figure P.1 – RT+ information of the category ‘Item’ (see Table P.2) will be attached to the programme elements Item 1 and Item 2	153
Figure P.2 – RT+ information of the category ‘Item’ will be attached to the programme elements Item 1 and Item 2, but not to the programme element News	153
Figure P.3 – RT+ information of the category ‘Item’ will be attached only to the programme element Item 1, but not to the programme element Talk.....	153
Figure P.4 – Bit allocation for group 3A (message bits and AID).....	154
Figure P.5 – Coding of the message bits of the application group	155
Figure Q.1 – Bit allocation for group 3A (message bits and AID)	162
Figure Q.2 – Coding of the message bits of the application group	163
Table 1 – Encoding rules	16
Table 2 – Decoding rules	16
Table 3 – Group types	23
Table 4 – Main feature repetition rates	24
Table 5 – Group repetition rates	25
Table 6 – ODA group availability signalled in type 3A groups	26
Table 7 – STY codes	41
Table 8 – Codes for TP and TA	45
Table 9 – Bit d_0 to d_3 meanings	45
Table 10 – VHF code table.....	46
Table 11 – Special meanings code table	46
Table 12 – Code tables according to ITU regions; LF/MF code table – For ITU regions 1 and 3 (9 kHz spacing)	46
Table 13 – Code tables according to ITU regions; MF code table – For ITU region 2 (10 kHz spacing).....	47
Table A.1 – Offset word codes	62
Table B.1 – Offset word syndromes using matrix of Figure B.3.....	67
Table C.1 – Offset word syndromes for group and block synchronisation.....	71
Table D.1 – PI code structure.....	72
Table D.2 – European Broadcasting Area – Symbols used for ECC and PI country codes	75
Table D.3 – Area coverage codes	76
Table D.4 – Programme reference number codes	76
Table D.5 – PI codes for short range transmitting devices.....	77
Table E.1 – Basic RDS character set.....	78
Table E.2 – Non-transmitted UCS-2 equivalents (1 of 7)	79
Table E.3 – Extended RDS character set, for eRT only (1 of 13)	85
Table F.1 – Programme type codes and corresponding terms for display.....	98
Table G.1 – Symbols used	101
Table J.1 – Language identification codes	104
Table M.1 – Pager group codes.....	111
Table M.2 – Codes for additional message content.....	114
Table M.3 – Paging segment address codes for 10 and 18 digit messages.....	115
Table M.4 – Paging segment address codes for alphanumeric messages	116

Table M.5 – Paging segment address codes for international 15 digit messages	117
Table M.6 – Paging segment address codes for functions message	118
Table M.7 – Sub-usage codes	122
Table M.8 – Group designation codes	126
Table M.9 – Cycle selection codes	127
Table M.10 – Message sorting codes	128
Table M.11 – Codes for message types	130
Table M.12 – Description of the control byte	131
Table M.13 – Use of paging call repetition flag	132
Table M.14 – Paging segment address codes for alphanumeric message	133
Table M.15 – Paging segment address codes for variable length numeric message	134
Table M.16 – Paging segment address codes for national paging with variable-length functions message	135
Table M.17 – Address notification (50 bit)	138
Table M.18 – Address notification (25 bit)	139
Table M.19 – Z3 parity relationship	139
Table P.1 – RT+ information elements	148
Table P.2 – Code list and 'RT+ class' description of 'RT/eRT content types (1 of 3)	157
Table Q.1 – eRT information elements	161

INTERNATIONAL ELECTROTECHNICAL COMMISSION

**SPECIFICATION OF THE RADIO DATA SYSTEM (RDS)
FOR VHF/FM SOUND BROADCASTING IN THE FREQUENCY
RANGE FROM 87,5 MHz TO 108,0 MHz****FOREWORD**

- 1) The International Electrotechnical Commission (IEC) is a worldwide organization for standardization comprising all national electrotechnical committees (IEC National Committees). The object of IEC is to promote international co-operation on all questions concerning standardization in the electrical and electronic fields. To this end and in addition to other activities, IEC publishes International Standards, Technical Specifications, Technical Reports, Publicly Available Specifications (PAS) and Guides (hereafter referred to as "IEC Publication(s)"). Their preparation is entrusted to technical committees; any IEC National Committee interested in the subject dealt with may participate in this preparatory work. International, governmental and non-governmental organizations liaising with the IEC also participate in this preparation. IEC collaborates closely with the International Organization for Standardization (ISO) in accordance with conditions determined by agreement between the two organizations.
- 2) The formal decisions or agreements of IEC on technical matters express, as nearly as possible, an international consensus of opinion on the relevant subjects since each technical committee has representation from all interested IEC National Committees.
- 3) IEC Publications have the form of recommendations for international use and are accepted by IEC National Committees in that sense. While all reasonable efforts are made to ensure that the technical content of IEC Publications is accurate, IEC cannot be held responsible for the way in which they are used or for any misinterpretation by any end user.
- 4) In order to promote international uniformity, IEC National Committees undertake to apply IEC Publications transparently to the maximum extent possible in their national and regional publications. Any divergence between any IEC Publication and the corresponding national or regional publication shall be clearly indicated in the latter.
- 5) IEC itself does not provide any attestation of conformity. Independent certification bodies provide conformity assessment services and, in some areas, access to IEC marks of conformity. IEC is not responsible for any services carried out by independent certification bodies.
- 6) All users should ensure that they have the latest edition of this publication.
- 7) No liability shall attach to IEC or its directors, employees, servants or agents including individual experts and members of its technical committees and IEC National Committees for any personal injury, property damage or other damage of any nature whatsoever, whether direct or indirect, or for costs (including legal fees) and expenses arising out of the publication, use of, or reliance upon, this IEC Publication or any other IEC Publications.
- 8) Attention is drawn to the Normative references cited in this publication. Use of the referenced publications is indispensable for the correct application of this publication.
- 9) Attention is drawn to the possibility that some of the elements of this IEC Publication may be the subject of patent rights. IEC shall not be held responsible for identifying any or all such patent rights.

International Standard IEC 62106 has been prepared by technical area 1: Terminals for audio, video and data services and contents, of IEC technical committee 100: Audio, video and multimedia systems and equipment.

This third edition cancels and replaces the second edition, published in 2009 and constitutes a technical revision.

This edition includes the following significant technical changes with respect to the previous edition:

- for the RDS feature EON and the use of group types 14A and 14B some additional explanations were added;
- in Annex E, containing the character code tables to be used in RDS, the explanation for Table E.1 and Table E.2 was extended;
- several small typing errors were corrected;
- to Enhanced RadioText in Annex Q an additional explanation was added.

The text of this standard is based on the following documents:

CDV	Report on voting
100/2122A/CDV	100/2418/RVC

Full information on the voting for the approval of this standard can be found in the report on voting indicated in the above table.

This publication has been drafted in accordance with the ISO/IEC Directives, Part 2.¹

The committee has decided that the contents of this publication will remain unchanged until the stability date indicated on the IEC website under "<http://webstore.iec.ch>" in the data related to the specific publication. At this date, the publication will be

- reconfirmed,
- withdrawn,
- replaced by a revised edition, or
- amended.

A bilingual version of this publication may be issued at a later date.

¹ For technical reasons equations and some figures had to be left unchanged and are not in accordance with the ISO/IEC Directives, Part 2:2011.

INTRODUCTION

IEC 62106:2000 (first edition) and IEC 62106:2009 (second edition) have the same main text and annex structure. However, the main text of this edition is slightly restructured to more closely conform to ISO/IEC Directives, Part 2:2011. Nevertheless, cross-referencing between this edition and the previous editions remains possible. To find the corresponding subclause quickly between this edition and the first edition, it is basically sufficient to subtract 3 clauses. Example: see 3.1.5.1 in the first edition, published in 2000 becomes, see 6.1.5.1.

SPECIFICATION OF THE RADIO DATA SYSTEM (RDS) FOR VHF/FM SOUND BROADCASTING IN THE FREQUENCY RANGE FROM 87,5 MHz TO 108,0 MHz

1 Scope

This International Standard describes the Radio Data System, RDS, intended for application to VHF/FM sound broadcasts in the range 87,5 MHz to 108,0 MHz which may carry either stereophonic (pilot-tone system) or monophonic programmes (as stated in ITU-R Recommendation BS 450-3 and ITU-R Recommendation BS.643-3). The main objectives of RDS are to enable improved functionality for FM receivers and to make them more user-friendly by using features such as Programme Identification, Programme Service name display and, where applicable, automatic tuning for portable and car radios, in particular. The relevant basic tuning and switching information therefore has to be implemented by the type 0 group (see 6.1.5.1), and it is not optional unlike many of the other possible features in RDS.

2 Normative references

The following documents, in whole or in part, are normatively referenced in this document and are indispensable for its application. For dated references, only the edition cited applies. For undated references, the latest edition of the referenced document (including any amendments) applies.

ISO/IEC 10646:2014, *Information technology – Universal Coded Character Set (UCS)*

ISO 14819 (all parts), *Intelligent transport systems – Traffic and travel information messages via traffic message coding*

ITU-R Recommendation BS.450-3, *Transmission standards for FM sound broadcasting at VHF*

ITU-R Recommendation BS.643-3, *Radio data system for automatic tuning and other applications in FM radio receivers for use with pilot-tone system*

ITU-T Recommendation E.212, *For the three digit Mobile Country Codes used in Annex M of this RDS specification refer to Complement to ITU-T Rec. E.212 (05/2004) published by ITU Geneva as Annex to ITU Operational Bulletin 897, dated 2007-12-01*

US NRSC-4-B, *National Radio Systems Committee – NRSC-4-A: United States RBDS standard*

ETSI EN 301 700, *Digital Audio Broadcasting (DAB); VHF/FM broadcasting: cross referencing to simulcast DAB services by RDS-ODA 147*

3 Abbreviations

For the purposes of this document, the following abbreviations apply.

3.1

AM

<broadcasting> amplitude modulation

3.2

ARI

Autofahrer-Rundfunk-Information

Note 1 to entry: See Annex H.

3.3

FM

<broadcasting> frequency modulation

3.4

group type and version

combination of a particular group and a particular version

Note 1 to entry: RDS uses 16 data groups, 0 to 15, each with either a version A or B. For example, data group 0 can be combined with version A, and becomes 0A, or type 0A group. Type 0 group means version A and B of data group 0.

3.5

hexadecimal notation

C notation "0x" is used for hex (base 16) numbers

Note 1 to entry: This notation is used throughout this standard.

3.6

LF

long wave broadcasting frequency band

Note 1 to entry: LF applies to ITU, Region 1 only.

3.7

MF

medium wave broadcasting frequency band

Note 1 to entry: MF applies to ITU, all Regions.

3.8

RDS specific abbreviations and definitions

see Clause 7 and Annex S

3.9

VHF

very high frequency broadcasting band, here Band II, that is 87,5 MHz to 108,0 MHz

Note 1 to entry: VHF applies only to ITU.

4 Modulation characteristics of the data channel (physical layer)

4.1 General

The Radio Data System is intended for application to VHF/FM sound broadcasting transmitters in the range 87,5 MHz to 108,0 MHz, which carry stereophonic (pilot-tone system) or monophonic sound broadcasts specified in ITU-R Recommendation BS.450-3.

It is important that radio-data receivers are not affected by signals in the multiplex spectrum outside the data channel.

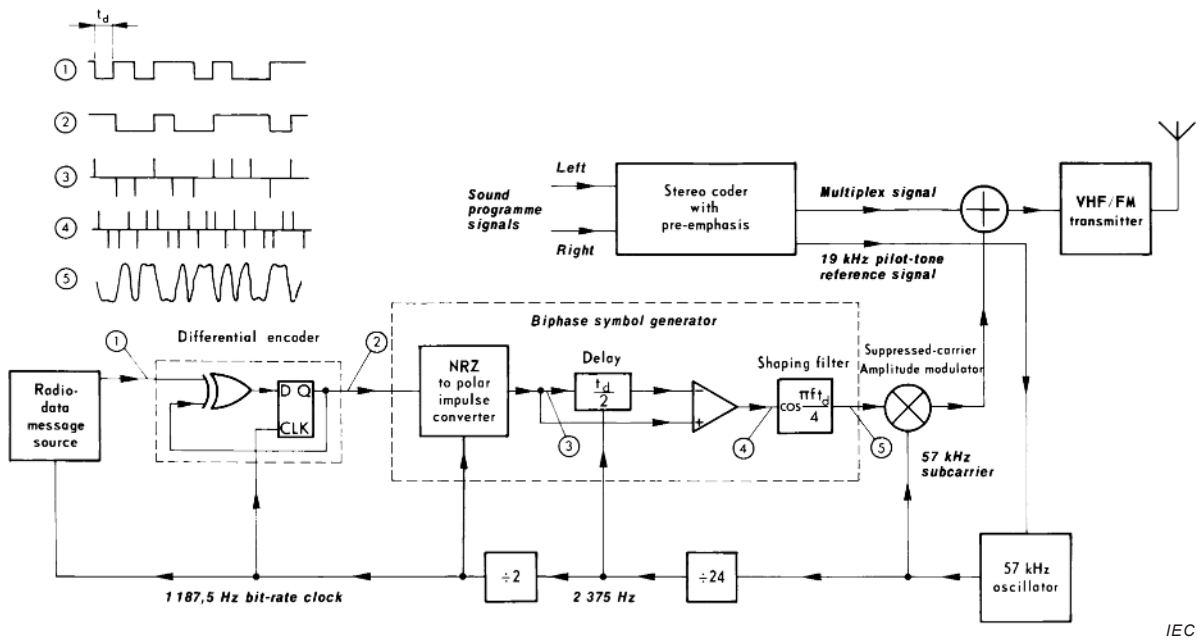
The data signals are carried on a subcarrier which is added to the stereo multiplex signal (or monophonic signal, as appropriate) at the input to the VHF/FM transmitter. Block diagrams of

the data source equipment at the transmitter and a typical receiver arrangement are shown in Figure 1 and Figure 2, respectively.

4.2 Subcarrier frequency

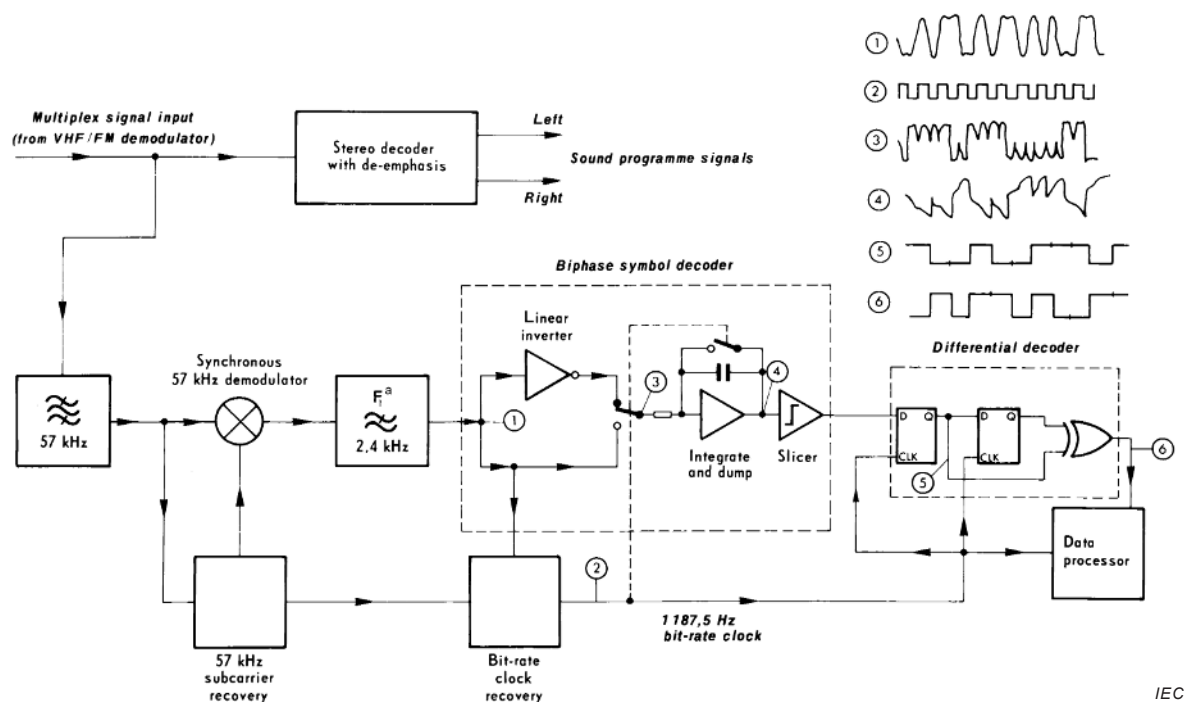
During stereo broadcasts, the subcarrier frequency will be locked to the third harmonic of the 19 kHz pilot-tone. Since the tolerance on the frequency of the 19 kHz pilot-tone is ± 2 Hz (ITU-R Recommendation BS.450-3), the tolerance on the frequency of the subcarrier during stereo broadcasts is ± 6 Hz.

During monophonic broadcasts the frequency of the subcarrier is $57 \text{ kHz} \pm 6 \text{ Hz}$.



IEC

Figure 1 – Block diagram of radio-data equipment at the transmitter



^a The overall data-shaping in this decoder comprises the filter F_1 and the data-shaping inherent in the biphase symbol decoder. The amplitude/frequency characteristic of filter F_1 is therefore not the same as that given in Figure 3.

Figure 2 – Block diagram of a typical radio-data receiver/decoder

4.3 Subcarrier phase

During stereo broadcasts, the subcarrier will be locked either in phase or in quadrature to the third harmonic of the 19 kHz pilot-tone. The tolerance on this phase angle is $\pm 10^\circ$, measured at the modulation input to the FM transmitter.

4.4 Subcarrier level

The deviation range of the FM carrier due to the unmodulated subcarrier is from $\pm 1,0$ kHz to $\pm 7,5$ kHz. The recommended best compromise is $\pm 2,0$ kHz (see NOTE below). The decoder/demodulator shall also operate properly when the deviation of the subcarrier is varied within these limits during periods not less than 10 ms.

NOTE With this level of subcarrier, the level of each sideband of the subcarrier corresponds to half the nominal peak deviation level of 2,0 kHz for an all-zeroes message data stream (i.e. a continuous bit-rate sine-wave after biphas encoding).

The maximum permitted deviation due to the composite multiplex signal is ± 75 kHz.

4.5 Method of modulation

The subcarrier is amplitude-modulated by the shaped and biphas coded data signal (see 4.8). The subcarrier is suppressed. This method of modulation may alternatively be thought of as a form of two-phase phase-shift-keying (PSK) with a phase deviation of $\pm 90^\circ$.

4.6 Clock-frequency and data-rate

The basic clock frequency is obtained by dividing the transmitted subcarrier frequency by 48. Consequently, the basic data-rate of the system (see Figure 1) is 1 187,5 bit/s \pm 0,125 bit/s.

4.7 Differential coding

The source data at the transmitter are differentially encoded according to the following rules, see Table 1.

Table 1 – Encoding rules

Previous output (at time t_{i-1})	New input (at time t_i)	New output (at time t_i)
0	0	0
0	1	1
1	0	1
1	1	0

where t_i is some arbitrary time and t_{i-1} is the time one message-data clock-period earlier, and where the message-data clock-rate is equal to 1 187,5 Hz.

Thus, when the input-data level is 0, the output remains unchanged from the previous output bit, and when an input 1 occurs, the new output bit is the complement of the previous output bit.

In the receiver, the data may be decoded by the inverse process, see Table 2.

Table 2 – Decoding rules

Previous input (at time t_{i-1})	New input (at time t_i)	New output (at time t_i)
0	0	0
0	1	1
1	0	1
1	1	0

The data is thus correctly decoded whether or not the demodulated data signal is inverted.

4.8 Data-channel spectrum shaping

The power of the data signal at and close to the 57 kHz subcarrier is minimized by coding each source data bit as a biphase symbol.

This is done to avoid data-modulated cross-talk in phase-locked-loop stereo decoders. The principle of the process of generation of the shaped biphase symbols is shown schematically in Figure 1. In concept, each source bit gives rise to an odd impulse-pair, $e(t)$, so that a logic 1 at source gives:

$$e(t) = \delta(t) - \delta(t - t_d/2) \quad (1)$$

and a logic 0 at source gives:

$$e(t) = -\delta(t) + \delta(t - t_d/2) \quad (2)$$

These impulse-pairs are then shaped by a filter $H_T(f)$, to give the required band-limited spectrum where

$$H_T(f) = \begin{cases} \cos \frac{\pi f t_d}{4} & \text{if } 0 \leq f \leq 2/t_d \\ 0 & \text{if } f > 2/t_d \end{cases} \quad (3)$$

and here

$$t_d = \frac{1}{1187,5} \text{ s}$$

The data-spectrum shaping filtering has been split equally between the transmitter and receiver (to give optimum performance in the presence of random noise) so that, ideally, the data filtering at the receiver should be identical to that of the transmitter, i.e. as given above in Equation (3). The overall data-channel spectrum shaping $H_0(f)$ would then be 100 % cosine roll-off.

The specified transmitter and receiver low-pass filter responses, as defined in Equation (3) are illustrated in Figure 3, and the overall data-channel spectrum shaping is shown in Figure 4.

The spectrum of the transmitted biphase-coded radio-data signal is shown in Figure 5 and the time-function of a single biphase symbol (as transmitted) in Figure 6.

The 57 kHz radio-data signal waveform at the output of the radio-data source equipment may be seen in the photograph of Figure 7.

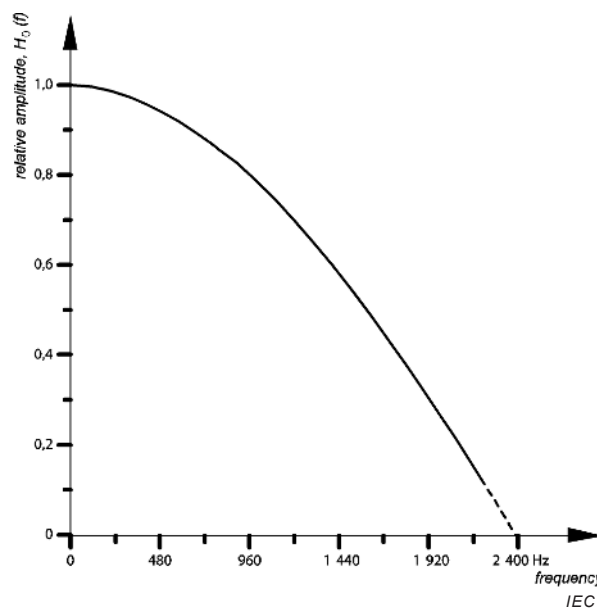


Figure 3 – Amplitude response of the specified transmitter or receiver data-shaping filter

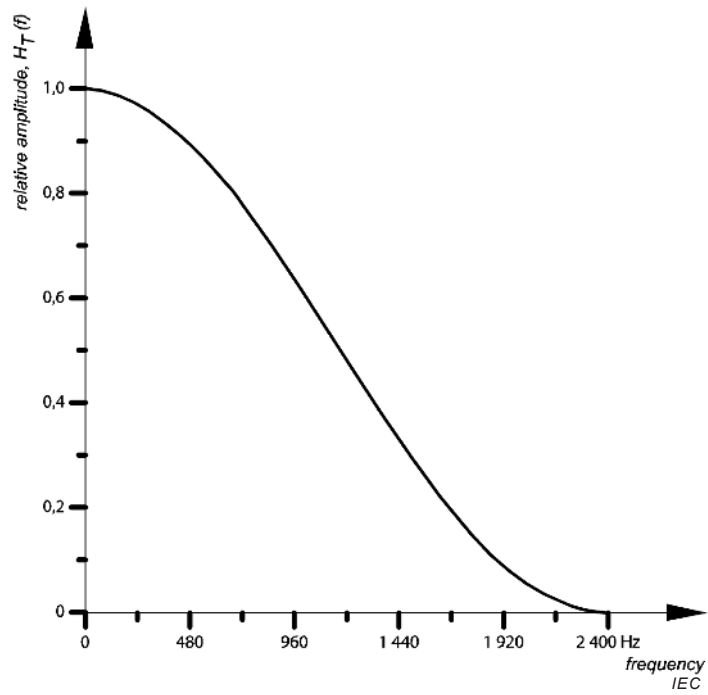


Figure 4 – Amplitude response of the combined transmitter and receiver data-shaping filters

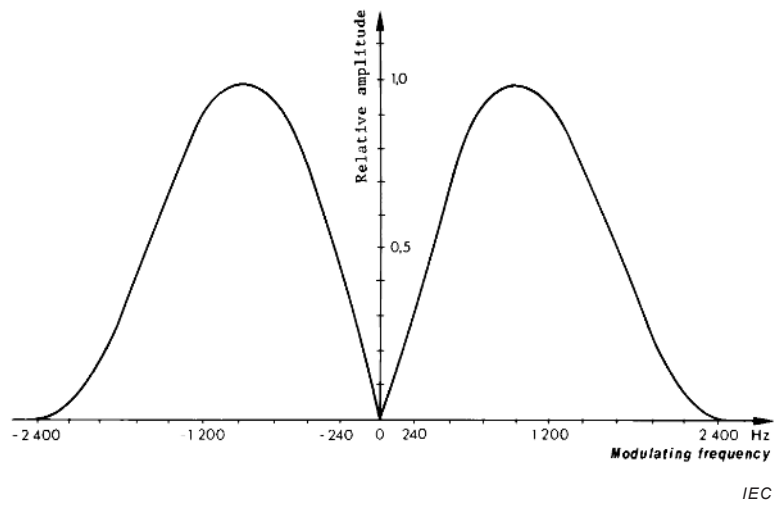
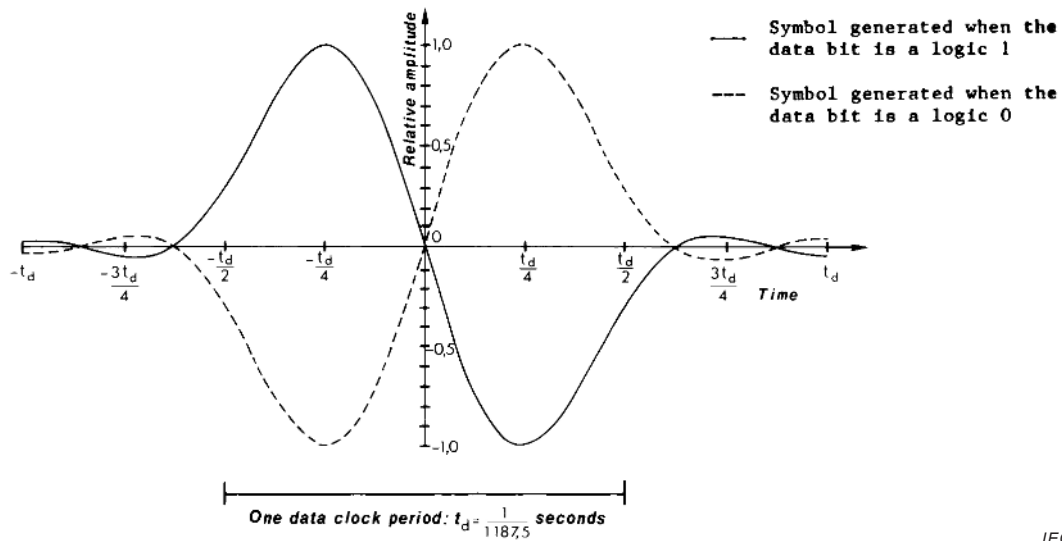
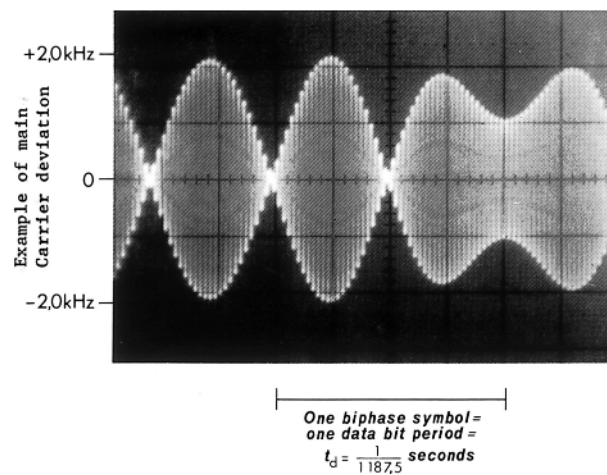


Figure 5 – Spectrum of biphase coded radio-data signals



IEC

Figure 6 – Time-function of a single biphasis symbol



IEC

Figure 7 – 57 kHz radio-data signals

5 Baseband coding (data-link layer)

5.1 Baseband coding structure

Figure 8 shows the structure of the baseband coding. The largest element in the structure is called a group of 104 bit each. Each group comprises 4 blocks of 26 bit each. Each block comprises an information word and a checkword. Each information word comprises 16 bit. Each checkword comprises 10 bit (see 5.3).

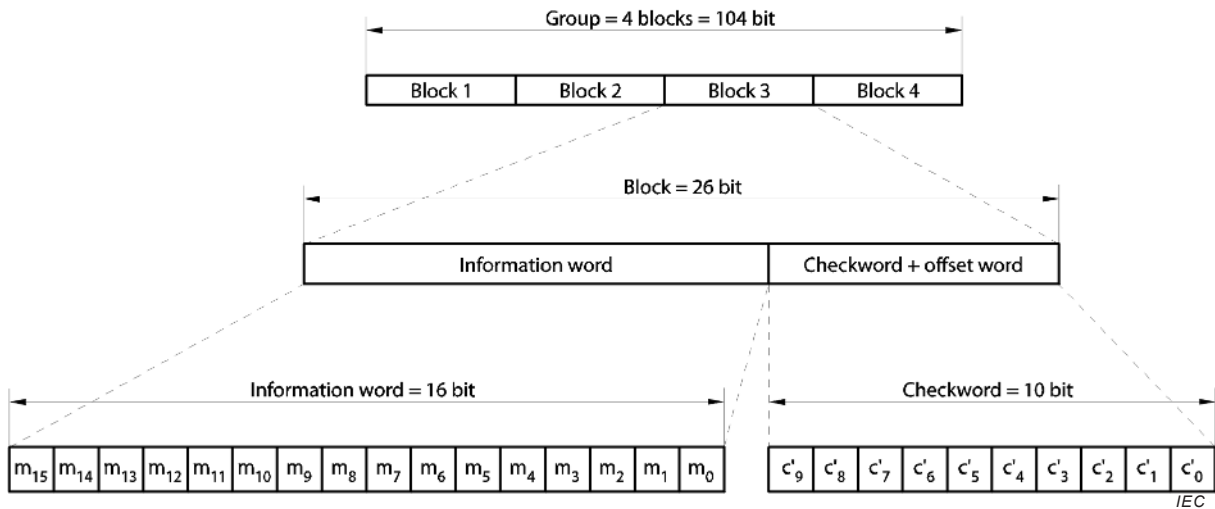
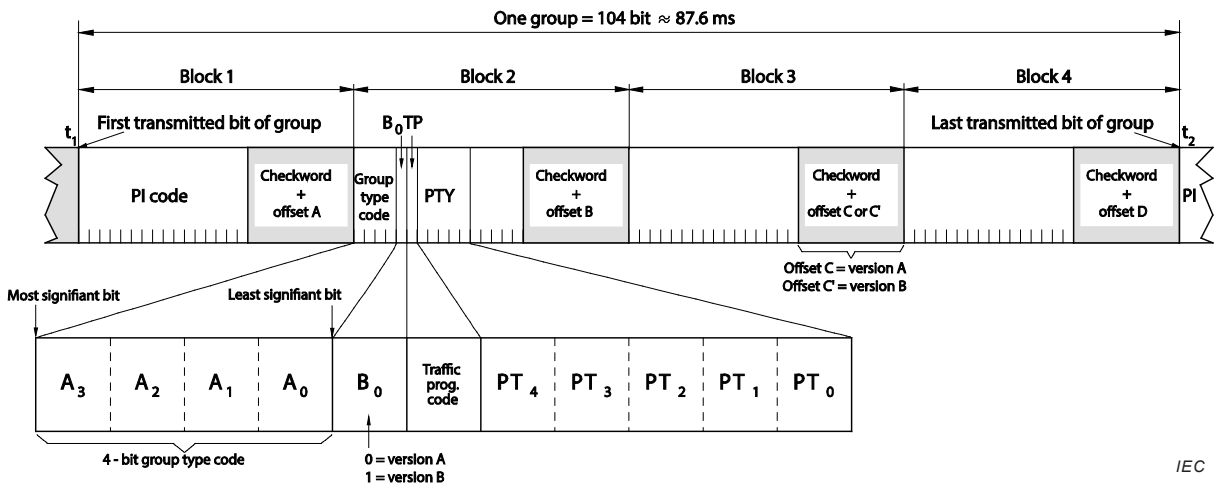


Figure 8 – Structure of the baseband coding

5.2 Order of bit transmission

All information words, checksums, binary numbers or binary address values have their most significant bit (MSB) transmitted first (see Figure 9). Thus the last bit transmitted in a binary number or address has weight 2^0 .

The data transmission is fully synchronous and there are no gaps between the groups or blocks.



NOTE 1 Group type code = 4 bit (see 6.1).

NOTE 2 B_0 = version code = 1 bit (see 6.1).

NOTE 3 PI code = Programme identification code = 16 bit (see 6.2.2.1 and Annex D).

NOTE 4 TP = Traffic programme identification code = 1 bit (see 6.2.2.3).

NOTE 5 PTY = Programme type code = 5 bit (see 6.2.2.2 and Annex F).

NOTE 6 Checkword + offset 'N' = 10 bit added to provide error protection and block and group synchronization information (see 5.3 and 5.4 and Annex A, Annex B and Annex C).

NOTE 7 $t_1 < t_2$: block 1 of any particular group is transmitted first and block 4 last.

Figure 9 – Message format and addressing

5.3 Error protection

Each transmitted 26-bit block contains a 10-bit checkword which is primarily intended to enable the receiver/decoder to detect and correct errors which occur in transmission. This checkword (i.e. c'_9, c'_8, \dots, c'_0 in Figure 8) is the sum (modulo 2) of

- a) the remainder after multiplication by x^{10} and then division (modulo 2) by the generator polynomial $g(x)$, of the 16-bit information word;
- b) a 10-bit binary string $d(x)$, called the offset word;

where the generator polynomial, $g(x)$ is given by

$$g(x) = x^{10} + x^8 + x^7 + x^5 + x^4 + x^3 + 1$$

and where the offset values, $d(x)$, which are different for each block within a group (see 5.4) are given in Annex A.

The purpose of adding the offset word is to provide a group and block synchronisation system in the receiver/decoder (see 5.4). Because the addition of the offset is reversible in the decoder, the normal additive error-correcting and detecting properties of the basic code are unaffected.

The checkword thus generated is transmitted with its most significant bit (i.e. the coefficient of c'_9 in the checkword) first and is transmitted at the end of the block which it protects.

The above description of the error protection may be regarded as definitive, but further explanatory notes on the generation and theory of the code are given in Annex B and Annex C.

The error-protecting code has the following error-checking capabilities [3, 4]²:

- a) detects all single and double bit errors in a block;
- b) detects any single error burst spanning 10 bit or less;
- c) detects about 99,8 % of bursts spanning 11 bit and about 99,9 % of all longer bursts.

The code is also an optimal burst error correcting code [5] and is capable of correcting any single burst of span 5 bit or less.

5.4 Synchronisation of blocks and groups

The blocks within each group are identified by the offset words A, B, C or C' and D added to blocks 1, 2, 3, and 4 respectively in each group (see Annex A).

The beginnings and ends of the data blocks may be recognized in the receiver decoder by using the fact that the error-checking decoder will, with a high level of confidence, detect any block synchronisation slip as well as additive errors. This system of block synchronisation is made reliable by the addition of the offset words (which also serve to identify the blocks within the group). These offset words destroy the cyclic property of the basic code so that in the modified code, cyclic shifts of codewords do not give rise to other codewords [6, 7].

Further explanation of a technique for extracting the block synchronisation information at the receiver is given in Annex C.

² Figures in square brackets refer to the Bibliography.

6 Message format (session and presentation layers)

6.1 Addressing

6.1.1 Design principles

The basic design principles underlying the message format and addressing structure are as follows:

- a) the messages which are to be repeated most frequently, and for which a short acquisition time is required, for example Programme Identification (PI) codes, in general, occupy the same fixed positions within every group. They can therefore be decoded without reference to any block outside the one which contains the information;
- b) there is no fixed rhythm of repetition of the various types of group, i.e. there is ample flexibility to interleave the various kinds of message to suit the needs of the users at any given time and to allow for future developments;
- c) addressing is required to identify the information content of those blocks, which are not dedicated to the high-repetition-rate information;
- d) each group is, as far as possible, fully addressed to identify the information content of the various blocks;
- e) the mixture of different kinds of message within any one group is minimized, for example one group type is reserved for basic tuning information, another for RadioText, etc. This is important so that broadcasters who do not wish to transmit messages of certain kinds are not forced to waste channel capacity by transmitting groups with unused blocks. Instead, they are able to repeat more frequently those group types which contain the messages they want to transmit;
- f) to allow for future applications the data formatting has been made flexible. For example, a number of group types (see Table 6) may be used for Open Data Applications (see 6.1.4 and 7.9).

6.1.2 Principal features

The main features of the message structure have been illustrated in Figure 9. These may be seen to be:

- a) the first block in every group always contains a Programme Identification (PI) code;
- b) the first four bits of the second block of every group are allocated to a four-bit code which specifies the application of the group. Groups will be referred to as 0 to 15 according to the binary weighting $A_3 = 8$, $A_2 = 4$, $A_1 = 2$, $A_0 = 1$ (see Figure 9). For each group (0 to 15) two 'versions' can be defined. The 'version' is specified by the fifth bit (B_0) of block 2 as follows:
 - 1) $B_0 = 0$: the PI code is inserted in block 1 only. This will be called version A, for example group type 0A, 1A, etc.
 - 2) $B_0 = 1$: the PI code is inserted in block 1 and block 3 of all group types. This will be called version B, for example group type 0B, 1B, etc.

In general, any mixture of version A and B groups may be transmitted;

- c) the Programme Type code (PTY) and Traffic Programme identification (TP) occupy fixed locations in block 2 of every group.

The PI, PTY and TP codes can be decoded without reference to any block outside the one that contains the information. This is essential to minimize acquisition time for these kinds of messages and to retain the advantages of the short (26-bit) block length. To permit this to be done for the PI codes in block 3 of version B groups, a special offset word (which we shall call C') is used in block 3 of version B groups. The occurrence of offset C' in block 3 of any group can then be used to indicate directly that block 3 is a PI code, without any reference to the value of B_0 in block 2.

6.1.3 Group types

Table 3 – Group types

Group type	Group type code					Flagged in type 1A groups	Description
	A ₃	A ₂	A ₁	A ₀	B ₀		
0A	0	0	0	0	0		Basic tuning and switching information only (see 6.1.5.1)
0B	0	0	0	0	1		Basic tuning and switching information only (see 6.1.5.1)
1A	0	0	0	1	0		Programme Item Number (PIN) and slow labelling codes only (see 6.1.5.2)
1B	0	0	0	1	1		Programme Item Number (see 6.1.5.2)
2A	0	0	1	0	0		RadioText only (see 6.1.5.3)
2B	0	0	1	0	1		RadioText only (see 6.1.5.3)
3A	0	0	1	1	0		Applications Identification for ODA only (see 6.1.5.4)
3B	0	0	1	1	1		Open Data Applications
4A	0	1	0	0	0		Clock-time and date only (see 6.1.5.6)
4B	0	1	0	0	1		Open Data Applications
5A	0	1	0	1	0		Transparent Data Channels (32 channels) or ODA (see 6.1.5.8)
5B	0	1	0	1	1		Transparent Data Channels (32 channels) or ODA (see 6.1.5.8)
6A	0	1	1	0	0		In House applications or ODA (see 6.1.5.9)
6B	0	1	1	0	1		In House applications or ODA (see 6.1.5.9)
7A	0	1	1	1	0	Y	Radio Paging or ODA (see 6.1.5.10 and Annex M)
7B	0	1	1	1	1		Open Data Applications
8A	1	0	0	0	0		Traffic Message Channel or ODA (see 6.1.5.12)
8B	1	0	0	0	1		Open Data Applications
9A	1	0	0	1	0	Y	Emergency Warning Systems or ODA (see 6.1.5.13)
9B	1	0	0	1	1		Open Data Applications
10A	1	0	1	0	0		Programme Type Name
10B	1	0	1	0	1		Open Data Applications
11A	1	0	1	1	0		Open Data Applications
11B	1	0	1	1	1		Open Data Applications
12A	1	1	0	0	0		Open Data Applications
12B	1	1	0	0	1		Open Data Applications
13A	1	1	0	1	0	Y	Enhanced Radio Paging or ODA (see Annex M)
13B	1	1	0	1	1		Open Data Applications
14A	1	1	1	0	0		Enhanced Other Networks information only (see 6.1.5.19)
14B	1	1	1	0	1		Enhanced Other Networks information only (see 6.1.5.19)
15A	1	1	1	1	0		Open Data Applications
15B	1	1	1	1	1		Fast switching information only (see 6.1.5.21)

NOTE Mark "Y" indicates that group type 1A will be transmitted for the identification of the application using block 3 of group type 1A (except for an ODA, where the application identification is in group 3A instead).

It was described above (see also Figure 9) that the first five bits of the second block of every group are allocated to a five-bit code which specifies the application of the group type and its version, as shown in Table 3.

The appropriate repetition rates for some of the main features are indicated in Table 4.

Table 4 – Main feature repetition rates

Main features	Group types which contain this information	Appropriate repetition rate per second
Programme Identification (PI) code	all	11,4 ^a
Programme Type (PTY) code	all	11,4 ^a
Traffic Programme (TP) identification code	all	11,4 ^a
Programme Service (PS) name ^d	0A, 0B	1
Alternative frequency (AF) code pairs	0A	4
Traffic announcement (TA) code	0A, 0B, 14B, 15B	4
Decoder identification (DI) code	0A, 0B, 15B	1
Music Speech (MS) code	0A, 0B, 15B	4
RadioText (RT) message	2A, 2B	0,2 ^b
Enhanced other networks information (EON)	14A	up to 2 ^c

^a Valid codes for this item will normally be transmitted with at least this repetition rate whenever the transmitter carries a normal broadcast programme.

^b A total of 16 type 2A groups are required to transmit a 64 character RadioText message and therefore, to transmit this message in 5 s, 3,2 type 2A groups will be required per second.

^c The maximum cycle time for the transmission of all data relating to all cross-referenced programme services shall be less than 2 min.

^d PS shall only be used for identifying the programme service and it shall not be used for other messages giving sequential information.

A total of four type 0A groups are required to transmit the entire PS name and therefore four type 0A groups will be required per second. The repetition rate of the type 0A group may be reduced if more capacity is needed for other applications. But a minimum of two type 0A groups per second are necessary to ensure correct functioning of PS and AF features. However, with EON receivers search tuning is affected by the repetition rate of type 0 groups (TP/TA, see 6.2.2.3). It shall be noted that in this case transmission of the complete PS will take 2 s. However, under typical reception conditions the introduction of errors will cause the receiver to take 4 s or more to acquire the PS name for display.

The following mixture of groups, as indicated in Table 5, is suitable to meet the repetition rates noted above.

Table 5 – Group repetition rates

Group types	Features	Typical proportion of groups of this type transmitted %
0A or 0B	PI, PS, PTY, TP, AF ^a , TA, DI, MS	40
1A or 1B	PI, PTY, TP, PIN	10
2A or 2B	PI, PTY, TP, RT	15 ^b
14A or 14B	PI, PTY, TP, EON	10
Any other	Other applications	25
^a Type 0A group only.		
^b Assuming that type 2A groups are used to transmit a 32-character RadioText message. A mixture of type 2A and 2B groups in any given message shall be avoided (see 6.1.5.3).		

6.1.4 Open data channel/Applications Identification

6.1.4.1 Use of Open Data Applications (ODA)

Open data applications are not explicitly specified in this standard. They are subject to a registration process. Registered applications are listed in the EBU/RDS Forum – ODA Directory (see Annex L), which references appropriate standards and normative specifications. These specifications may be public (specification in the public domain, i.e. TMC, eRT, RT+ and ODA 147 (see ETSI EN 301 700, see Annex P, Annex Q and Clause 2) or privately owned (and not in the public domain). The terms public and private do not imply the degree of access to services provided by an application, for example a public domain service may well include encryption, as in TMC for example.

ODAs, whether public or private, shall conform to all requirements of this, the RDS standard, or the RBDS standard (as appropriate). Nothing in any ODA may require any aspect of a primary RDS feature to be changed or not to be transmitted in accordance with these two standards. This is to ensure that the transmission of an ODA cannot adversely affect devices built in accordance with both, the RDS and RBDS standards.

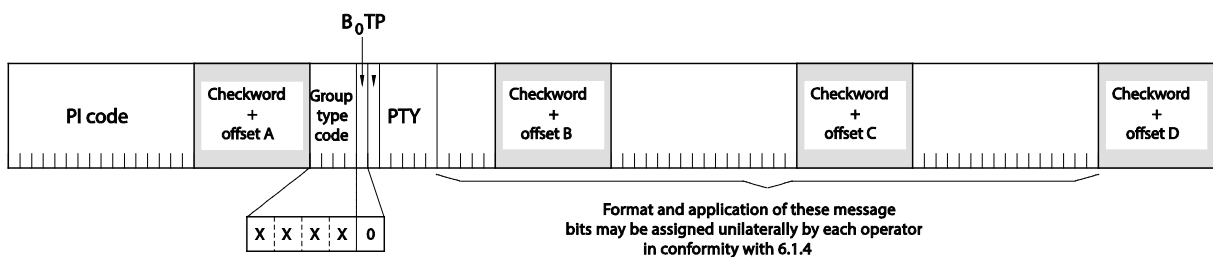
Table 6 – ODA group availability signalled in type 3A groups

Group type	Application group type code	Availability for Open Data Applications
	00000	Special meaning: not carried in associated group
3B	00111	Available unconditionally
4B	01001	Available unconditionally
5A	01010	Available when not used for TDC
5B	01011	Available when not used for TDC
6A	01100	Available when not used for IH
6B	01101	Available when not used for IH
7A	01110	Available when not used for RP
7B	01111	Available unconditionally
8A	10000	Available when not used for TMC
8B	10001	Available unconditionally
9A	10010	Available when not used for EWS
9B	10011	Available unconditionally
10B	10101	Available unconditionally
11A	10110	Available unconditionally
11B	10111	Available unconditionally
12A	11000	Available unconditionally
12B	11001	Available unconditionally
13A	11010	Available when not used for RP
13B	11011	Available unconditionally
15A	11110	Available unconditionally
	11111	Special meaning: temporary data fault (encoder status)

An ODA may use version A and/or version B groups. However, it shall not be designed to operate with a specific group type. An exception is TMC, which uses group type 8A. In any case, the specific group type used by the ODA in any particular transmission is signalled in the Applications Identification (AID) carried in type 3A groups (see 6.1.5.4). Table 6 shows the version A and version B groups that may be allocated to ODA. Group types not shown in Table 6 are not available for ODA.

6.1.4.2 Open Data Applications – Group structure

Open Data Applications shall use the format shown in Figure 10 for ODA type A groups and in Figure 11 for ODA type B groups.



IEC

Figure 10 – ODA version A groups

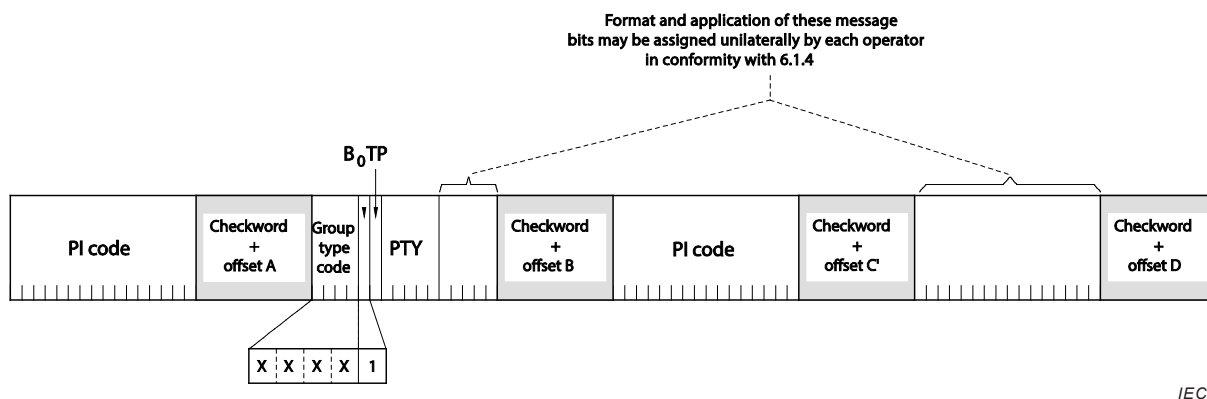


Figure 11 – ODA version B groups

6.1.5 Coding of the group types

6.1.5.1 Type 0 groups: Basic tuning and switching information

The repetition rates of type 0 groups shall be chosen in compliance with 6.1.3.

Figure 12 shows the format of type 0A groups, and Figure 13 the format of type 0B groups.

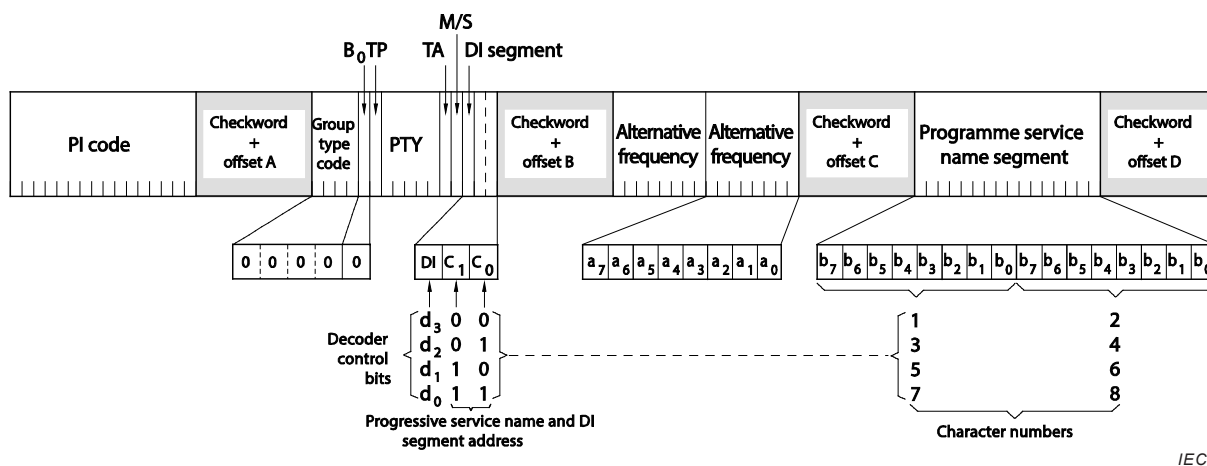


Figure 12 – Basic tuning and switching information – Type 0A group

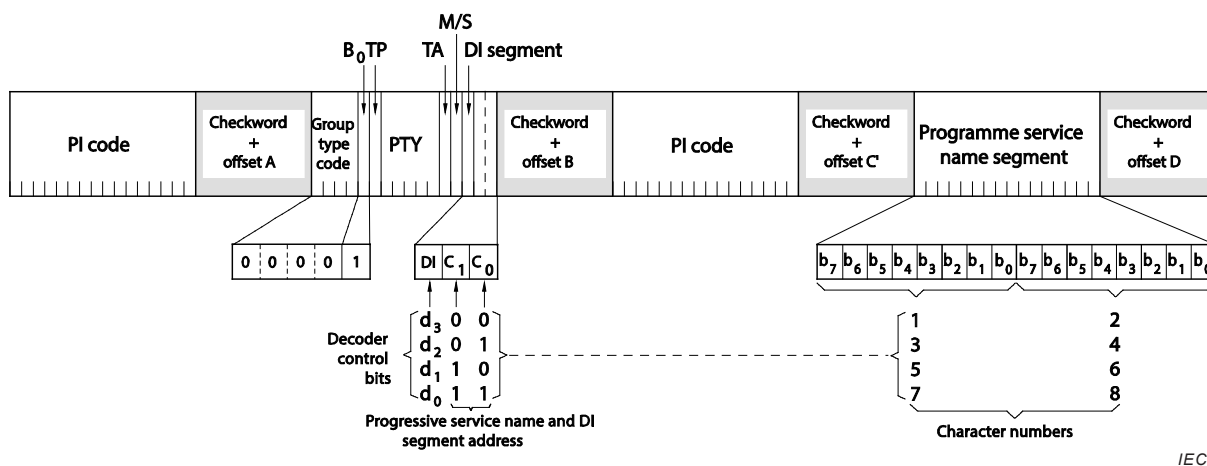


Figure 13 – Basic tuning and switching information – Type 0B group

Type 0A groups are usually transmitted whenever alternative frequencies exist. Type 0B groups without any type 0A groups may be transmitted only when no alternative frequencies exist.

There are two methods (A and B) for transmission of alternative frequencies (see 6.2.2.6.2).

The Programme Service name comprises eight characters, intended for static display on a receiver. It is the primary aid to listeners in programme service identification and selection. The use of PS to transmit text other than a single eight character name is not permitted (see also 6.2.3). Transmission of a PS name usually takes four type 0A groups, but to allow an instant display of the PS when a receiver pre-set is selected, the PS name is often stored for subsequent recall from memory when a programme service is selected. For this reason PS shall generally be invariant.

If a broadcaster wishes to transmit longer Programme Service names, programme-related information or any other text, then RadioText provides this feature.

NOTE 1 Version B differs from version A only in the contents of block 3, the offset word in block 3, and, of course, the version code B_0

NOTE 2 For details of Programme Identification (PI), Programme Type (PTY) and Traffic Programme (TP) code, see Figure 9, 6.2.2 and Annex D and Annex F.

NOTE 3 TA = Traffic Announcement code (1 bit) (see 6.2.2.3).

NOTE 4 MS = Music Speech switch code (1 bit) (see 6.2.2.4).

NOTE 5 DI = Decoder-Identification control code (4 bit) (see 6.2.2.5). This code is transmitted as 1 bit in each type 0 group. The Programme Service name and DI segment address code (C_1 and C_0) serves to locate these bits in the DI codeword. Thus, in a group with $C_1C_0 = '00'$ the DI bit in that group is d_3 . These code bits are transmitted most significant bit (d_3) first.

NOTE 6 Alternative frequency codes (2×8 bit) (see 6.2.2.6).

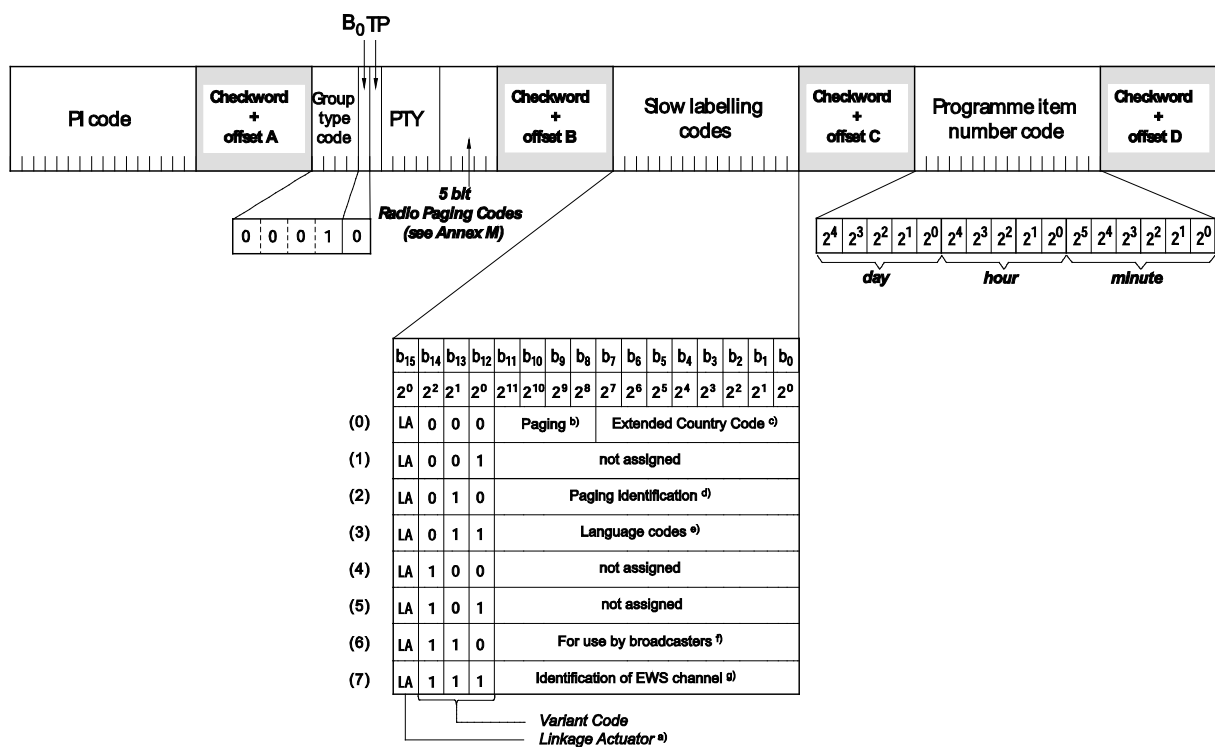
NOTE 7 Programme Service name (for display) is transmitted as 8-bit characters as defined in the 8-bit code Table E.1. Eight characters (including spaces) are allowed for each network and are transmitted as a 2-character segment in each type 0 group. These segments are located in the displayed name by the code bits C_1 and C_0 in block 2. The addresses of the characters increase from left to right in the display. The most significant bit (b_7) of each character is transmitted first.

6.1.5.2 Type 1 groups: Programme Item Number and slow labelling codes

Figure 14 shows the format of type 1A groups and Figure 15 the format of type 1B groups.

When a Programme Item Number is changed, a type 1 group shall be repeated four times with a separation of about 0,5 s. The unused bits in block 2 (type 1B only) are reserved for future applications.

Where Radio Paging is implemented in RDS, a type 1A group will be transmitted in an invariable sequence, regularly once per second, except at each full minute, where it is replaced by one type 4A group.

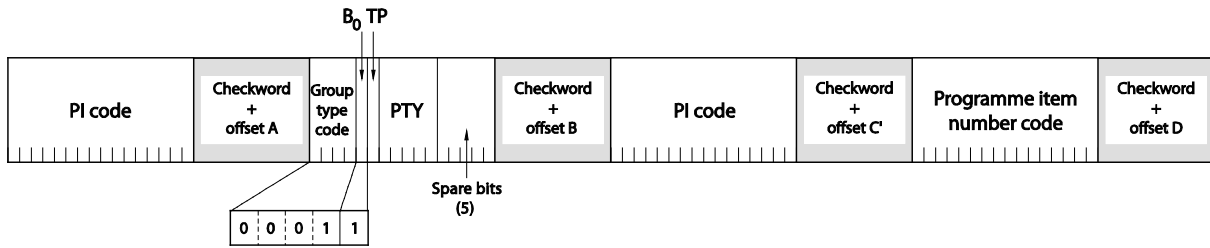


IEC

Key

- ^a The Linkage Actuator is defined in the 'Method for Linking RDS Programme Services' (see 6.2.2.8.6).
- ^b Normally set to zero except when used for the Operator Code in Radio Paging with the Enhanced Paging Protocol, defined in Annex M (see M.3.2.3 and M.3.2.5).
- ^c Extended country codes are defined separately (see Annex D and Annex N).
- ^d The Paging Identification is defined in the 'Multi Operator/Area paging' clause (see Annex M).
- ^e Language codes are defined separately (see Annex J).
- ^f The coding of this information may be decided unilaterally by the broadcaster to suit the application. RDS consumer receivers should entirely ignore this information.
- ^g The Emergency Warning Systems (EWS) are defined separately (see 6.2.8). This identification should not be used when EWS is implemented as an ODA.

Figure 14 – Programme item number and slow labelling codes – Type 1A group



IEC

NOTE 1 Version B differs from version A in the contents of blocks 2 and 3, the offset word in block 3, and, of course, the version code B_0 .

NOTE 2 The Programme Item Number is the scheduled broadcast start time and day of month as published by the broadcaster. The day of month is transmitted as a five-bit binary number in the range 1-31. Hours are transmitted as a five-bit binary number in the range 0-23. The spare codes are not used. Minutes are transmitted as a six-bit binary number in the range 0-59. The spare codes are not used.

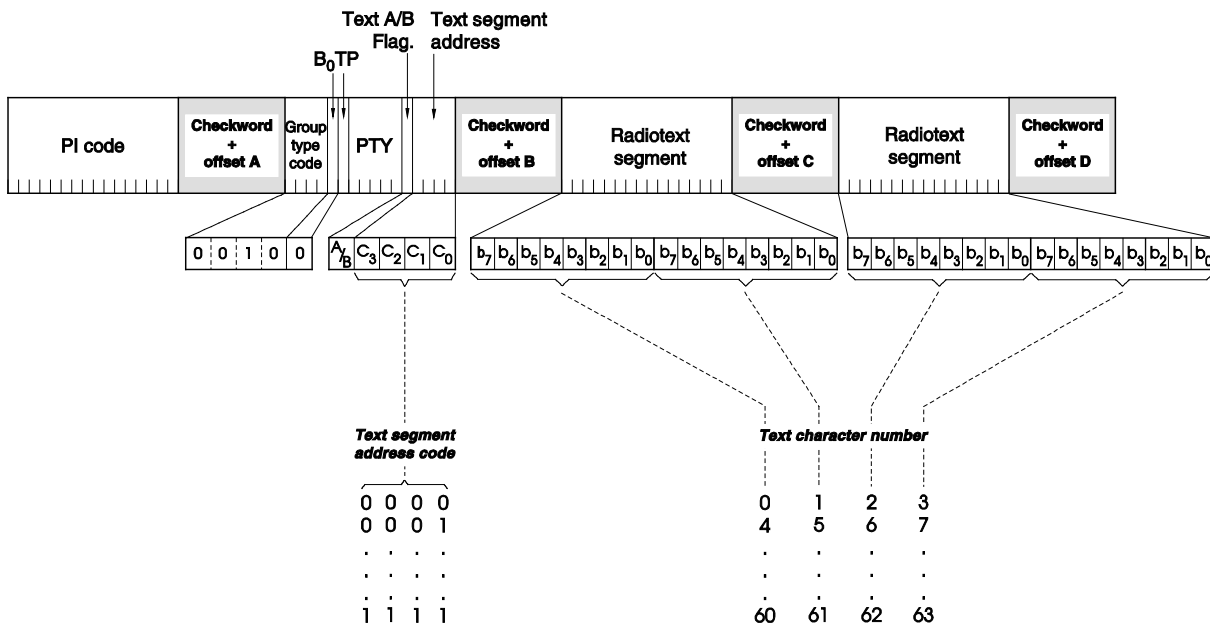
NOTE 3 The most significant five bits in block 4 which convey the day of the month, if set to zero, indicate that no valid Programme Item Number is being transmitted. In this case, if no Radio Paging is implemented, the remaining bits in block 4 are undefined. However, in the case of type 1A groups only, if Enhanced Radio Paging is implemented, the remaining bits carry service information (see Annex M).

NOTE 4 Bits b_{14} , b_{13} and b_{12} of block 3 of version A form the variant code, which determines the application of data carried in bits b_{11} to b_0 . A broadcaster may use as many or as few of the variant codes as wished, in any proportion and order.

Figure 15 – Programme Item Number – Type 1B group

6.1.5.3 Type 2 groups: RadioText

Figure 16 shows the format of type 2A groups and Figure 17 the format of type 2B groups.



IEC

Figure 16 – RadioText – Type 2A group

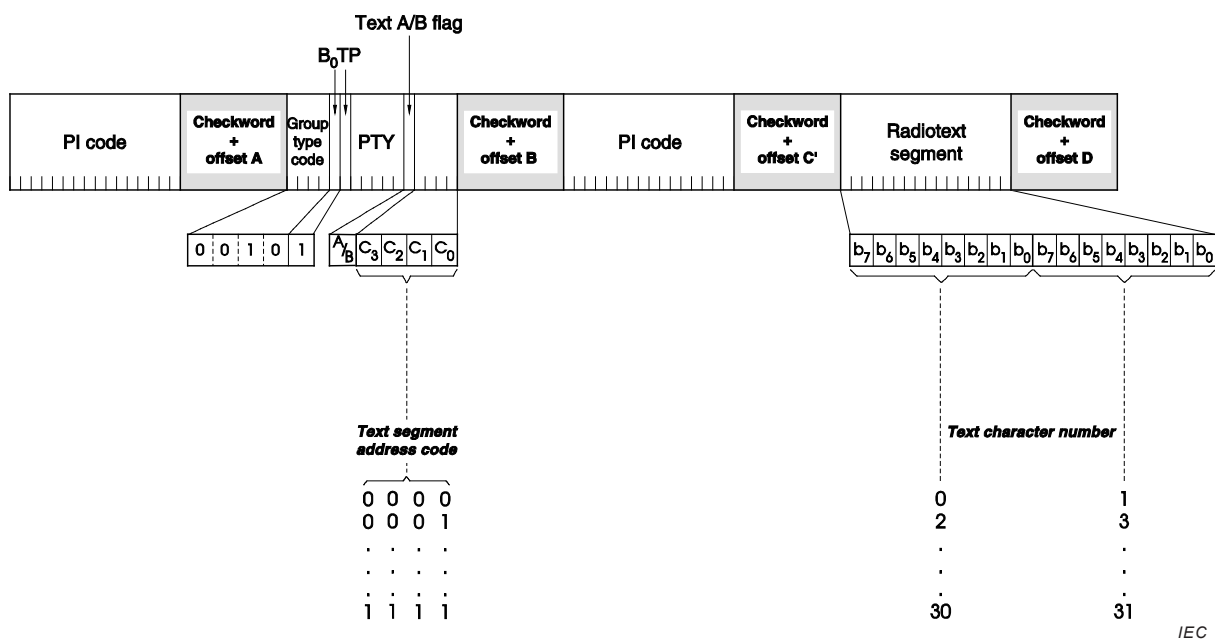


Figure 17 – RadioText – Type 2B group

The 4-bit text segment address defines in the current text the position of the text segments contained in the third (version A only) and fourth blocks. Since each text segment in type 2A groups comprises four characters, messages of up to 64 characters in length can be sent using this version. In type 2B groups, each text segment comprises only two characters and therefore, when using this version, the maximum message length is 32 characters.

A new text shall start with binary segment address '0000' and there shall be no gaps up to the highest used segment address of the current message. The number of text segments is determined by the length of the message, and each message shall be ended by the code 0x0D – carriage return – if the current message requires less than 16 segment addresses.

If a display which has fewer than 64 characters is used to display the RadioText message then memory shall be provided in the receiver/decoder so that elements of the message can be displayed sequentially. This may, for example, be done by displaying elements of text one at a time in sequence, or, alternatively by scrolling the displayed characters of the message from right to left.

Code 0x0A – line feed – may be inserted to indicate a preferred line break.

The following codes could possibly be used with certain reservations noted.

Code 0x0B: end of headline. This marker may be placed anywhere within the first 32 character positions and indicates that the text up to that point is considered by the broadcaster to be the 'headline' portion of the text. It is inserted by the broadcaster on the assumption that a 2 line, 16 character format has been adopted on the receiver. It may stand in place of a space character in the text string. Note that the use of the <0x0B> code is expected not to cause any difficulty because evidence suggests that receivers universally substitute a space for any unrecognised character.)

Code 0x1F: soft hyphen. This marker indicates the position(s) in long words where the author of the text would prefer a receiver to break a word between display lines if there is a need to do so. This applies only to multi-line non-scrolling displays.

NOTE 1 The use of the 0x1F code is not compatible with earlier RDS receivers, because unwanted spaces will appear in words where 0x1F codes have been used.

A space shall be substituted by the receiver for any unrecognised symbol or control character.

It should be noted that because of the above considerations there is possible ambiguity between the addresses contained in version A and those contained in version B. For this reason type 2A and type 2B groups shall not be mixed when transmitting any one given message.

An important feature of type 2 groups is the text A/B flag contained in the second block. Two cases occur:

- if the receiver detects a change in the flag (from binary '0' to binary '1' or vice-versa), then the whole RadioText display shall be cleared and the newly received RadioText message segments shall be written into the display;
- if the receiver detects no change in the flag, then the received text segments or characters shall be written into the existing displayed message and those segments or characters for which no update is received shall be left unchanged.

When this application is used to transmit a 32-character message, at least three type 2A groups or at least six type 2B groups shall be transmitted in every two seconds.

It may be found from experience that all RadioText messages should be transmitted at least twice to improve reception reliability.

NOTE 2 RadioText is transmitted as 8-bit characters as defined in the 8-bit code-table, Table E.1. The most significant bit (b_7) of each character is transmitted first.

NOTE 3 The addresses of the characters increase from left to right in the display.

6.1.5.4 Type 3A groups: Application identification for open data

Figure 18 shows the format of type 3A groups. These groups are used to identify the Open Data Application in use, on an RDS transmission (see 6.1.4).

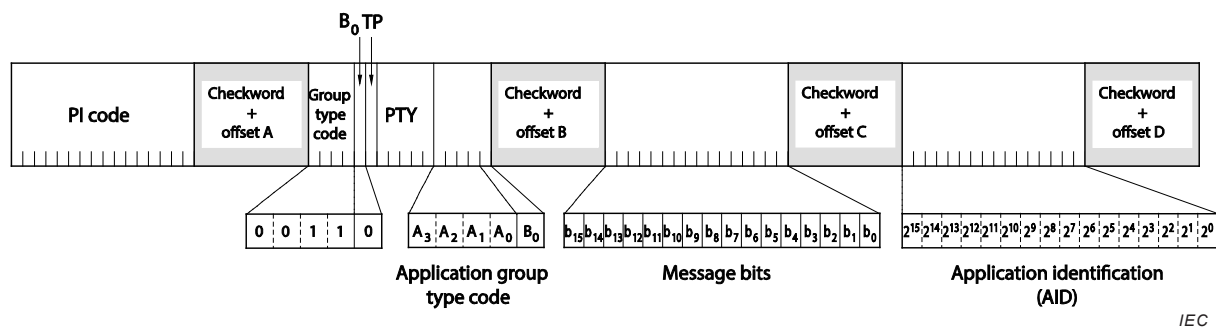


Figure 18 – Application identification for open data – Type 3A group

The type 3A group conveys, to a receiver, information about which open data applications are carried on a particular transmission and in which groups they will be found. The type 3A group comprises three elements: the application group type code used by that application, 16 message bits for the actual ODA and the applications identification (AID) code. Applications which actively utilise both, version A and B groups, are signalled using two type 3A groups.

The application group type code indicates the group type used, in the particular transmission, to carry the specified ODA. Table 6 specifies the permitted group types. The bit designation is as indicated in Figure 9, 4-bit for group type code and 1-bit for the version code. Two special conditions may be indicated: Binary 00000 – Not carried in associated group; binary 11111 – Temporary data fault (Encoder status) which means that incoming data to the encoder cannot be transmitted. The AID determines which software handler a receiver needs to use.

This supplements information carried in the type 1A group and permits groups specified in this standard for EWS, IH, RP and TMC to be re-allocated when these features are not used. This method of allocating and defining open data applications in an RDS transmission allows the addition and subtraction of ODAs, without constraint or the need to await the publication of new standards.

For each group type addressed by the application group type codes of a particular transmission, only one application may be identified as the current user of the channel.

The AID code 0x0000 may be used to indicate that the respective group type is being used for the normal feature specified in this standard. Application identification codes 0x0001 to 0xFFFF indicate applications as specified in the ODA directory.

The ODA directory specification associated with a particular AID code defines the use of version A and version B groups as follows:

- version A groups used alone (mode 1.1)
- version B groups used alone (mode 1.2)
- version A groups and version B groups used as alternatives (mode 2)
- version A groups and version B groups used together (mode 3)

It is important to note that the ODA directory specification shall not specify the actual version A and version B groups to be used, since these are assigned in each transmission by the type 3A group.

The AID feature indicates that a particular ODA is being carried in a transmission. Each application will have unique requirements for transmission of its respective AID, in terms of repetition rate and timing. These requirements shall be detailed in the respective ODA specification. The specification shall also detail the AID signalling requirements for such times when an application assumes or loses the use of a group type channel. Some applications may not allow reconfiguration in this way.

6.1.5.5 Type 3B groups: Open data application

Figure 19 shows the format of type 3B groups. These groups are usable for open data (see 6.1.4).

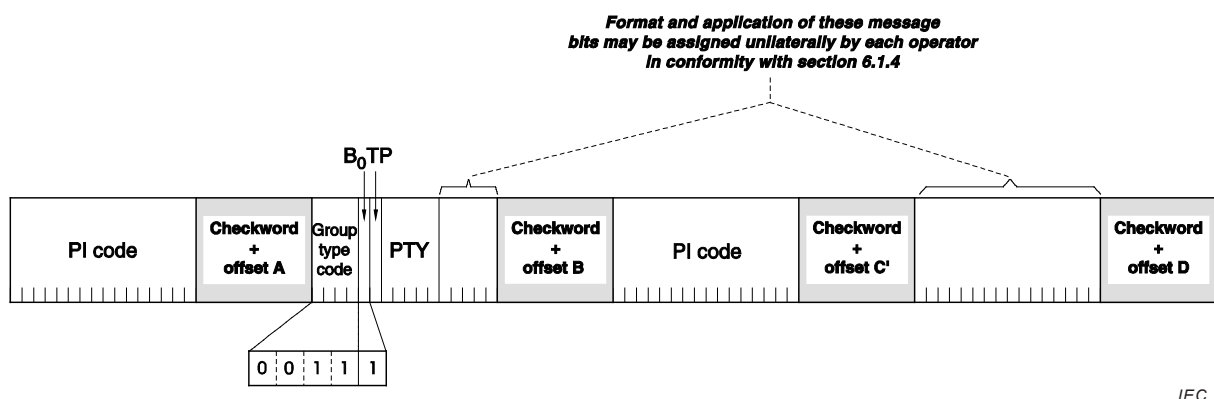


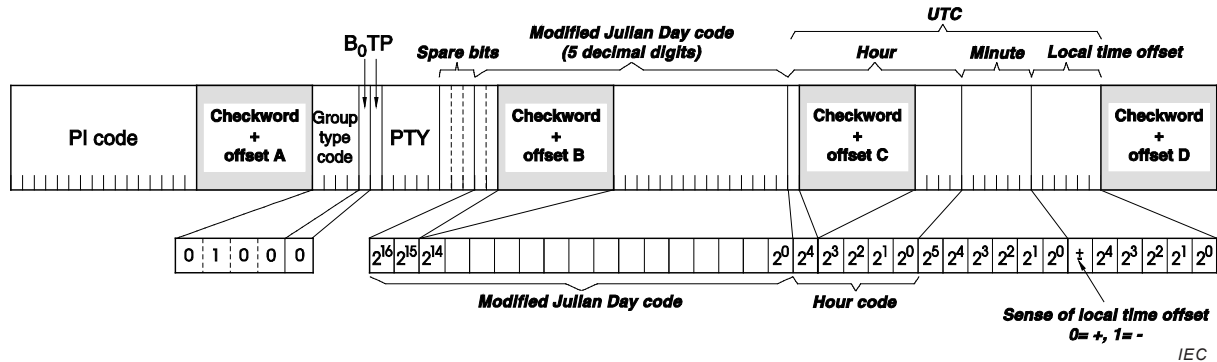
Figure 19 – Open data – Type 3B group

6.1.5.6 Type 4A groups: Clock-time and date

The transmitted clock-time and date shall be accurately set to UTC plus local offset time. Otherwise, the transmitted CT codes shall all be set to zero.

Figure 20 shows the format of type 4A groups.

When this application is used, one type 4A group will be transmitted every minute.



The following considerations apply to this figure:

- a) The local time is composed of Coordinated Universal Time (UTC) plus local time offset.
- b) The local time offset is **expressed in multiples of half hours** within the range -15,5 h to +15,5 h and is coded as a six-bit binary number. '0' = positive offset (east of zero degrees longitude), and '1' = negative offset (west of zero degrees longitude).
- c) The information relates to the epoch immediately following the start of the next group.
- d) The clock time group is inserted so that the minute edge will occur within ±0,1 s of the end of the clock time group.
- e) Minutes are coded as a six-bit binary number in the range 0 to 59. The spare codes are not used.
- f) Hours are coded as five-bit binary number in the range 0 to 23. The spare codes are not used.
- g) The date is expressed in terms of modified Julian Day and coded as a 17-bit binary number in the range 0 to 99999. Simple conversion formulas to month and day, or to week number and day of week are given in Annex G. Note that the modified Julian Day date changes at UTC midnight, **not** at local midnight.
- h) Accurate CT based on UTC plus local time offset shall be implemented on the transmission where TMC and/or radio paging is implemented.

Figure 20 – Clock-time and date transmission – Type 4A group

6.1.5.7 Type 4B groups: Open data application

Figure 21 shows the format of type 4B groups. These groups are usable for open data (see 6.1.4).

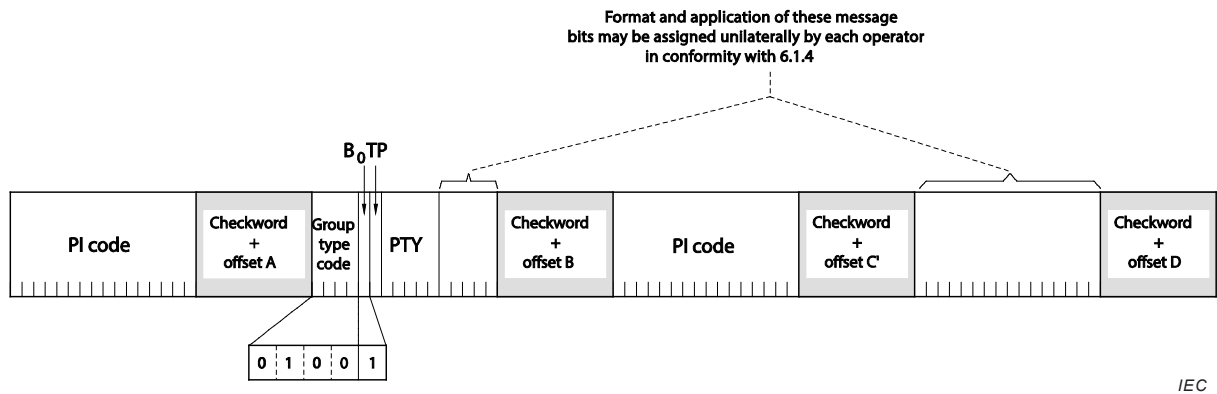
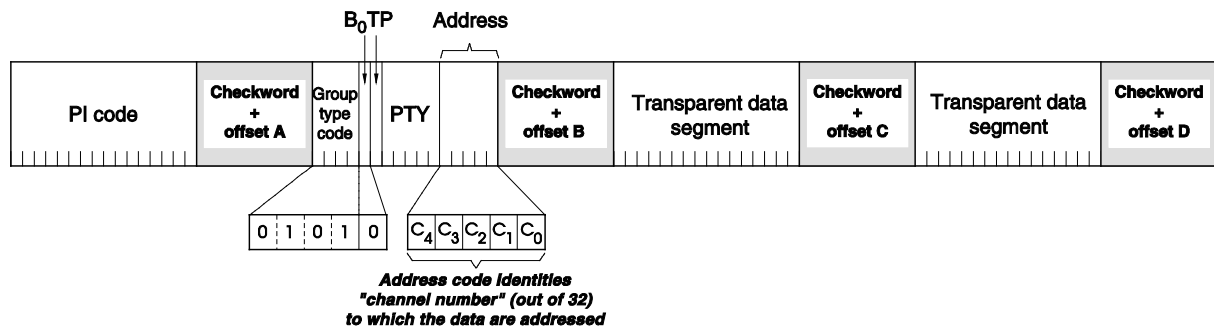


Figure 21 – Open data – Type 4B group

6.1.5.8 Type 5 groups: Transparent data channels or ODA

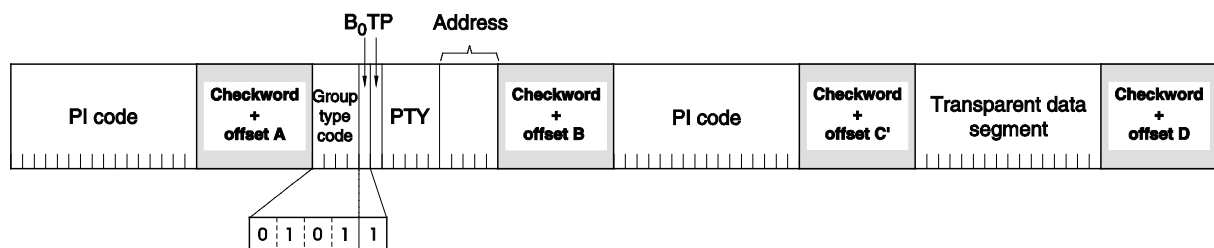
Figure 22 shows the format of type 5A groups and Figure 23 the format of type 5B groups, where used for TDC. If used for ODA, see 6.1.4.2.

The 5-bit address-code in the second block identifies the 'channel-number' (out of 32) to which the data contained in blocks 3 (version A only) and 4 are addressed. Unlike the fixed-format RadioText of type 2 groups, messages of any length and format can be sent using these channels. Display control characters (such as line-feed and carriage-return) will, of course, be sent along with the data.



IEC

Figure 22 – Transparent data channels – Type 5A group



IEC

Figure 23 – Transparent data channels – Type 5B group

These channels may be used to send alphanumeric characters, or other text (including mosaic graphics), or for transmission of computer programmes and similar data not for display. Details of implementation of these last options are to be specified separately.

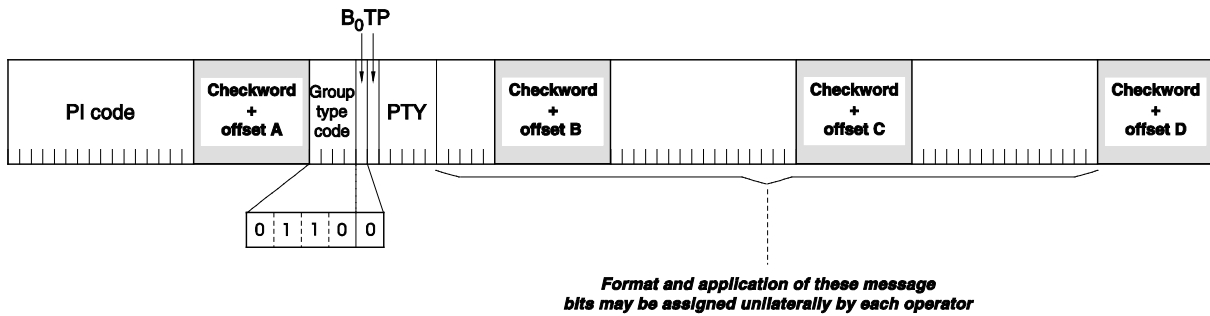
The repetition rate of these group types may be chosen to suit the application and the available channel capacity at the time.

6.1.5.9 Type 6 groups: In-house applications or ODA

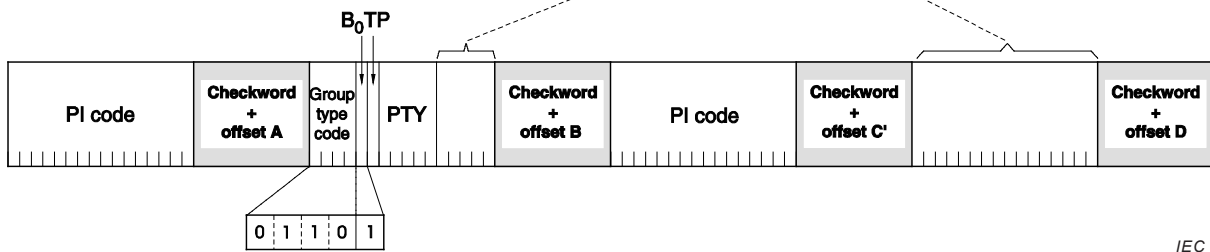
Figure 24 shows the format of type 6A groups and the format of type 6B groups, where used for IH. If used for ODA, see 6.1.4.2. The contents of the unreserved bits in these groups may be defined unilaterally by the operator.

Consumer receivers shall ignore the in-house information coded in these groups. The repetition rate of these group types may be chosen to suit the application and the available channel capacity at the time.

Type 6A group:



Type 6B group:

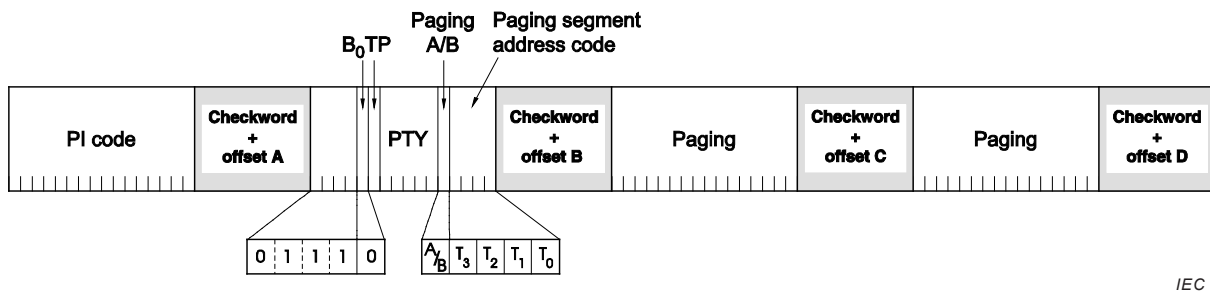


IEC

Figure 24 – In-house applications – Type 6A and 6B group

6.1.5.10 Type 7A groups: Radio paging or ODA

Figure 25 shows the format of type 7A groups, where used for radio paging. If used for ODA, see 6.1.4. The specification of RP which also makes use of type 1A, 4A and 13A groups, is given in Annex M.



IEC

Figure 25 – Radio paging – Type 7A group

6.1.5.11 Type 7B groups: Open data application

Figure 26 shows the format of type 7B groups. These groups are usable for open data (see 6.1.4).

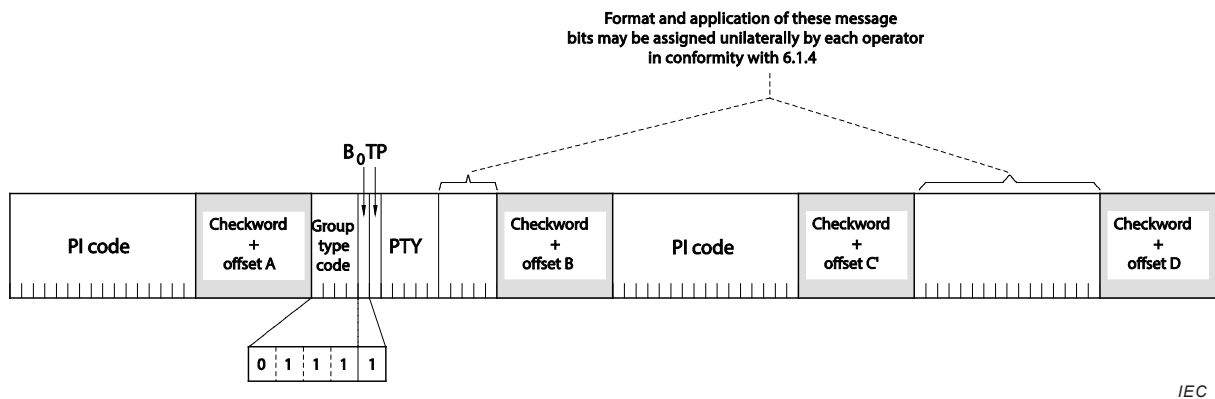


Figure 26 – Type 7B group

6.1.5.12 Type 8 groups: ODA-Traffic Message Channel (TMC) or other ODAs

Figure 27 shows the format of type 8A groups, most commonly used for the ISO 14819 series. TMC has the AID 0xCD46 or 0xCD47, see 6.1.5.4. This group carries the TMC messages, and certain TMC services and administrative information. In addition to the type 3A group required by all ODAs, TMC also requires the use of type 4A groups (CT). The coding of TMC as an ODA, which uses the ALERT-C protocol, is specified in the ISO 14819 series of standards. When not used for TMC, the type 8A group may be used for any other ODA (see 6.1.4).

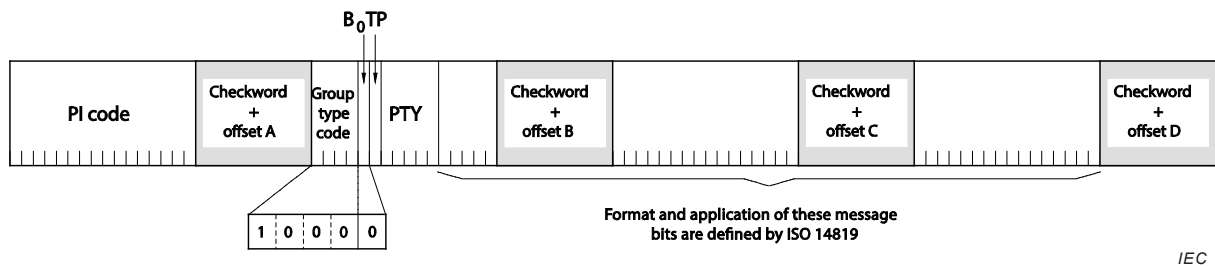


Figure 27 – Traffic message channel – Type 8A group

Figure 28 shows the format of type 8B groups. These groups are usable for open data (see 6.1.4) and are not used for TMC.

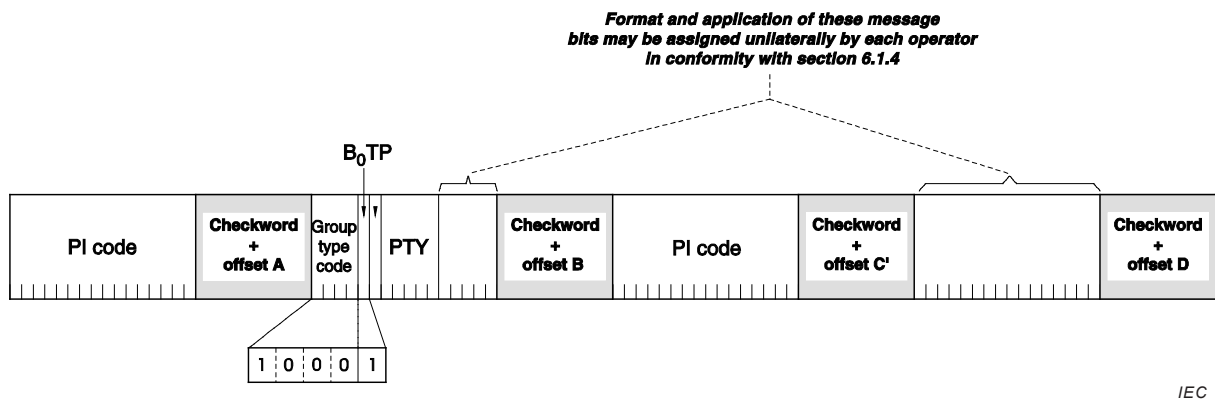


Figure 28 – Open data – Type 8B group

6.1.5.13 Type 9 groups: Emergency warning systems or ODA

These groups are transmitted very infrequently, unless an emergency occurs or test transmissions are required. Figure 29 shows the format of type 9A groups where used for EWS. If used for ODA, see 6.1.4.2.

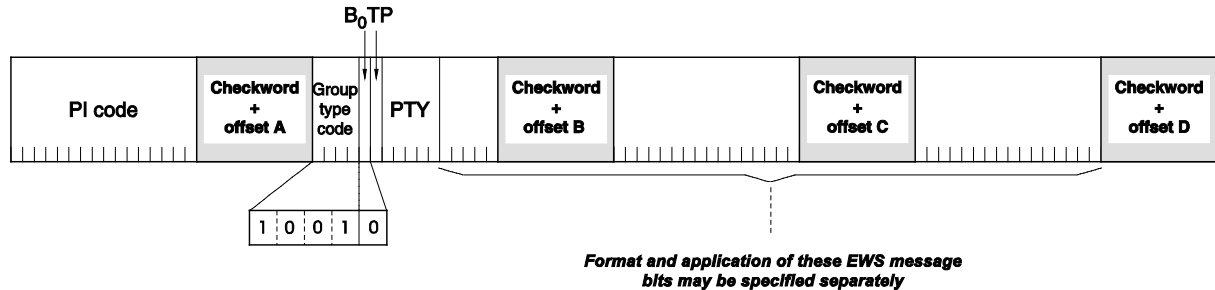


Figure 29 – Allocation of EWS message bits – Type 9A group

Format and application of the bits allocated for EWS messages may be assigned unilaterally by each country. However, the ECC feature shall be transmitted in type 1A groups when EWS is implemented.

Figure 30 shows the format of type 9B groups. These groups are usable for open data (see 6.1.4).

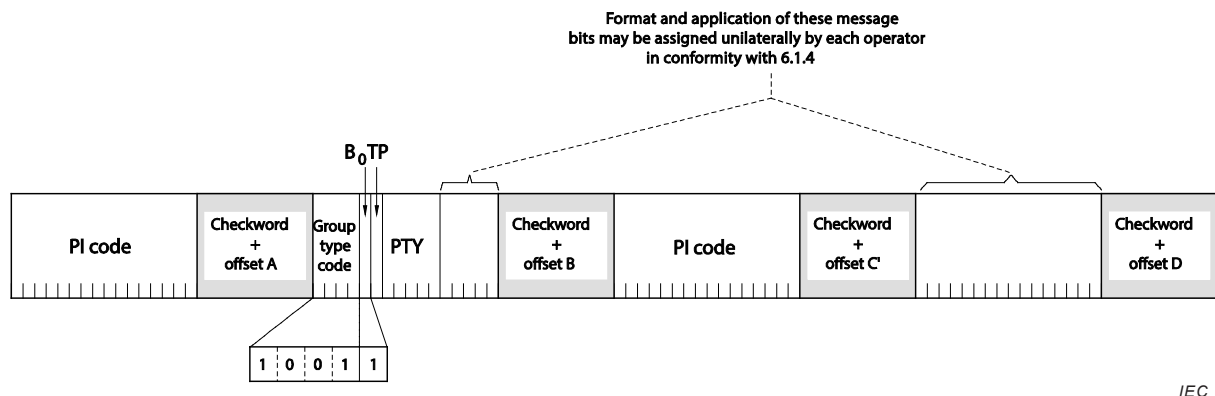
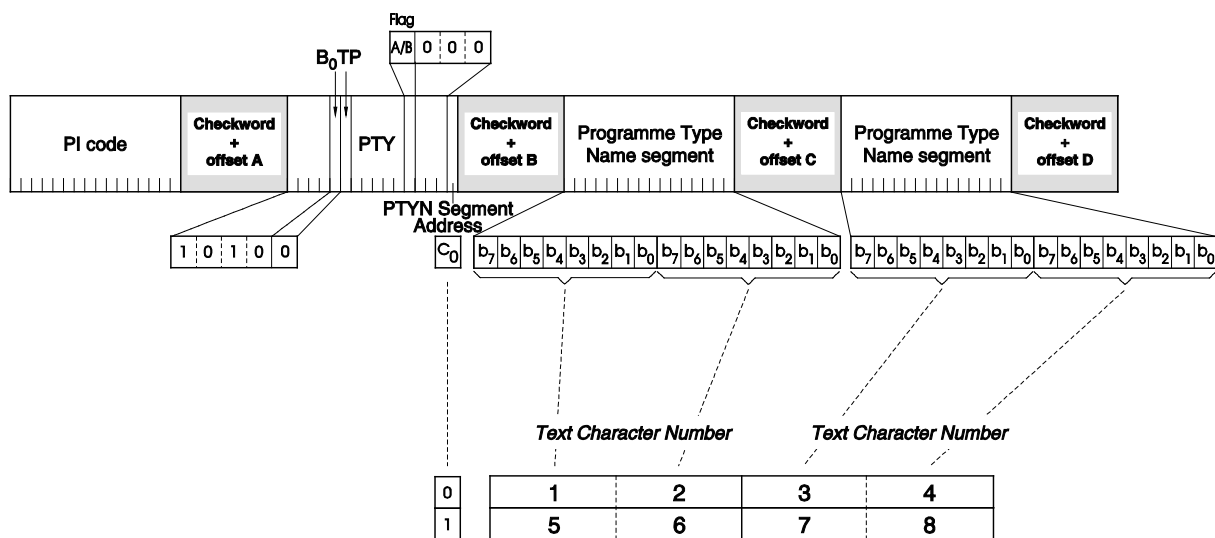


Figure 30 – Open data – Type 9B group

6.1.5.14 Type 10 groups: Programme type name (Group type 10A) and open data (Group type 10B)

Figure 31 shows the format of type 10A groups used for PTYN.

The type 10A group allows further description of the current programme type, for example, when using the PTY code 4: SPORT, a PTYN of "Football" may be indicated to give more detail about that programme. PTYN shall only be used to enhance programme type information and it shall not be used for sequential information.



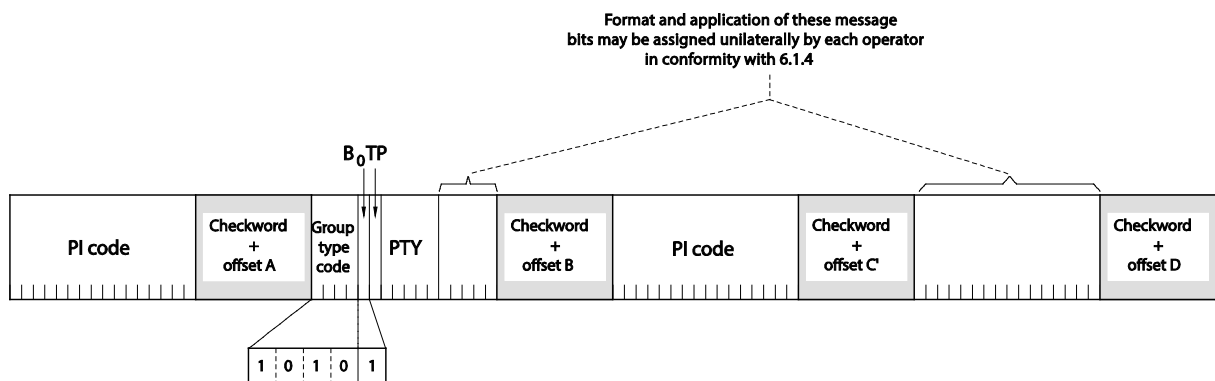
IEC

The A/B flag is toggled when PTYN during broadcast is being changed.

Programme type name (PTYN) (for display) is transmitted as 8-bit characters as defined in the 8-bit code, Table E.1. Eight characters (including spaces) are allowed for each PTYN and are transmitted as four character segments in each type 10A group. These segments are located in the displayed PTY name by the code bit C_0 in block 2. The addresses of the characters increase from left to right in the display. The most significant bit (b_7) of each character is transmitted first.

Figure 31 – Programme type name PTYN – Type 10A group

Figure 32 shows the format of type 10B groups used for ODA, see 6.1.4.2.



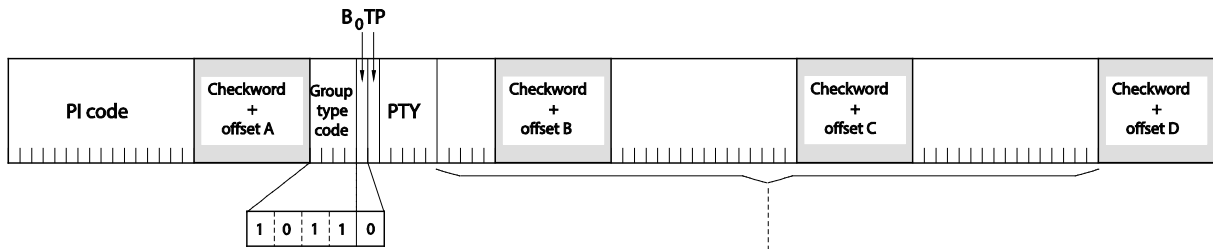
IEC

Figure 32 – Open data – Type 10B group

6.1.5.15 Type 11 groups: Open data application

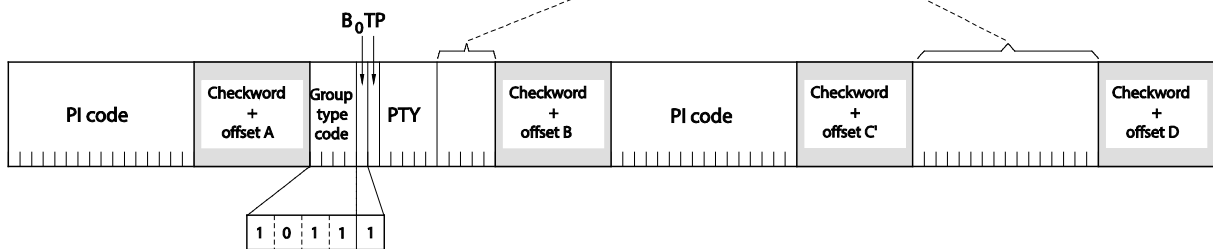
Figure 33 shows the format of type 11A and 11B groups. These groups can be used for open data (see 6.1.4).

Type 11A group:



Format and application of these message bits may be assigned unilaterally by each operator in conformity with 6.1.4

Type 11B group:



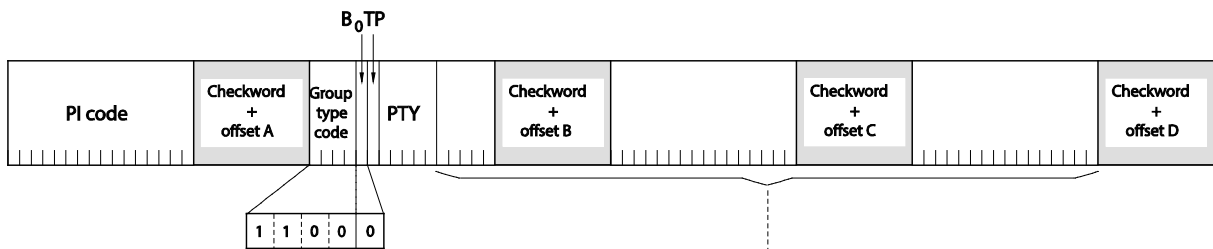
IEC

Figure 33 – Open data – Type 11A and 11B groups

6.1.5.16 Type 12 groups: Open data application

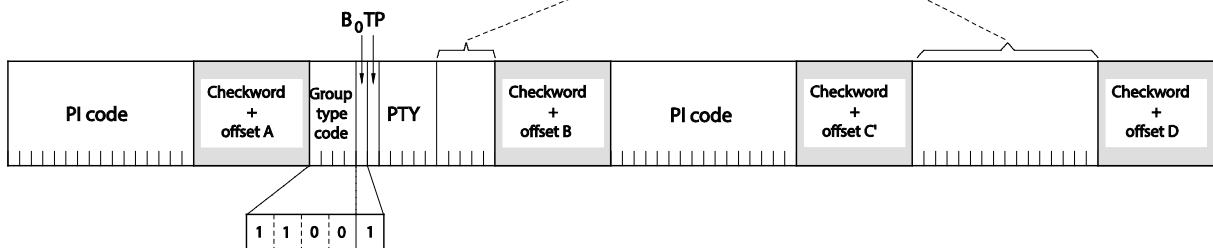
Figure 34 shows the format of type 12A and 12B groups. These groups can be used for open data (see 6.1.4).

Type 12A group:



Format and application of these message bits may be assigned unilaterally by each operator in conformity with 6.1.4

Type 12B group:



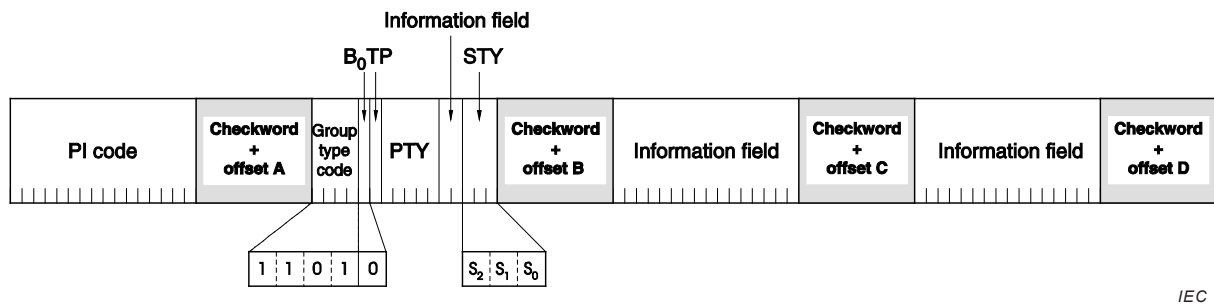
IEC

Figure 34 – Open data – Type 12A and 12B groups

6.1.5.17 Type 13A groups: Enhanced radio paging or ODA

The type 13A group is used to transmit the information relative to the network and the paging traffic. Its primary purpose is to provide an efficient tool for increasing the battery life time of the pager.

Figure 35 shows the format of the type 13A group. These groups are transmitted once or twice at the beginning of every interval (after the type 4A group at the beginning of each minute or after the first type 1A group at the beginning of each interval).



IEC

Figure 35 – Enhanced paging information – Type 13A group

The STY code (3 bit) denotes the different type 13A group subtypes. There are 8 different subtypes, as indicated in Table 7.

Table 7 – STY codes

STY			Last bits of third block and fourth block of type 13A group
S ₂	S ₁	S ₀	
0	0	0	Address notification bits 24...0, when only 25 bit (one type 13A group) are used
0	0	1	Address notification bits 49...25, when 50 bit (two type13A groups) are used
0	1	0	Address notification bits 24...0, when 50 bit (two type13A groups) are used
0	1	1	Reserved for value added services system information
1	0	0	Reserved for future use
...
1	1	1	Reserved for future use

The specification of the relevant protocol is given in Clause M.3.

The type 13A group may be used for ODA when it is not used for radio paging, and its group structure is then as shown in 6.1.4.2.

6.1.5.18 Type 13B groups: Open data application

Figure 36 shows the format of type 13B groups. These groups can be used for open data (see 6.1.4).

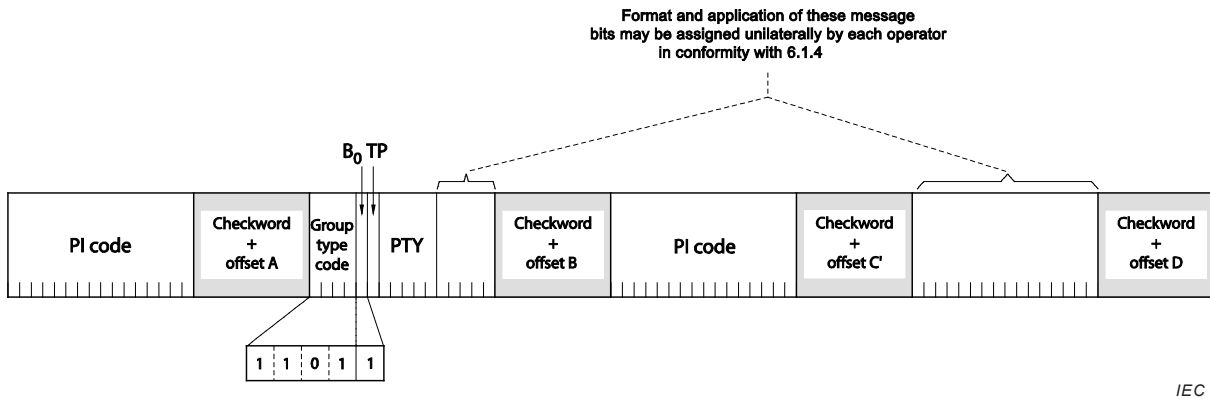


Figure 36 – Open data – Type 13B group

6.1.5.19 Type 14 groups: Enhanced other networks information

Figure 37 and Figure 38 show the format of type 14A and 14B groups. These groups are transmitted if enhanced other networks information (EON) is implemented. The specification of the relevant protocol is given in 6.2.2.8.

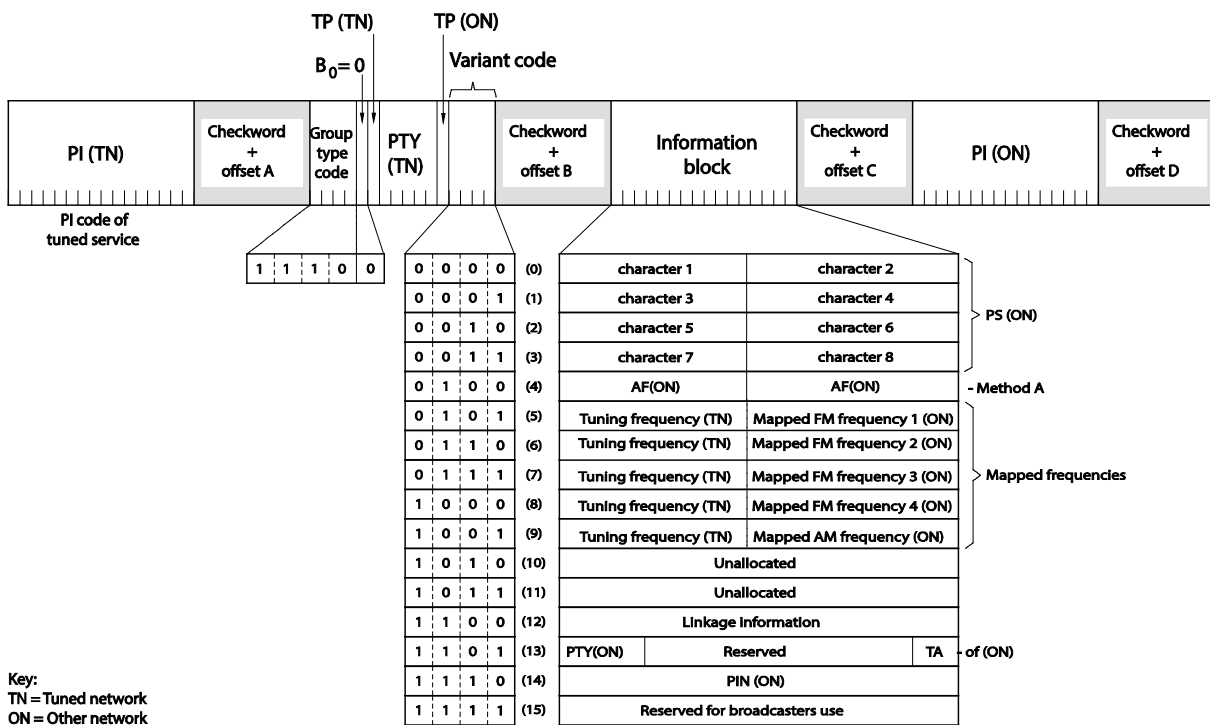
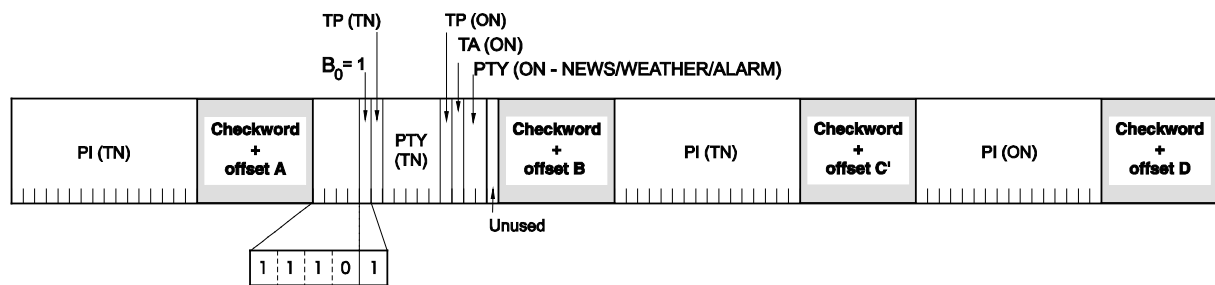


Figure 37 – Enhanced other networks information – Type 14A groups



IEC

For PTY (ON – NEWS/WEATHER/ALARM), see 6.2.2.8.4.

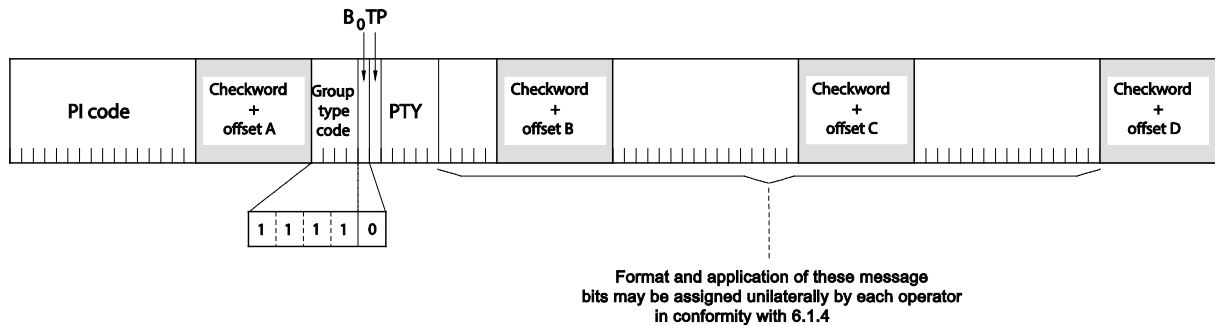
	b ₂	b ₁	Status
Default	0	0	off
NEWS	0	1	on
WEATHER	1	0	on
ALARM	1	1	on

Figure 38 – Enhanced Other Networks information – Type 14B groups

6.1.5.20 Type 15A groups: Open data application

The type 15A group may be used for ODA and its group structure is then as shown in Figure 39.

Type 15A group:



IEC

Figure 39 – Open data – Type 15A group

6.1.5.21 Type 15B groups: Fast basic tuning and switching information

Figure 40 shows the group structure for fast tuning and switching information.

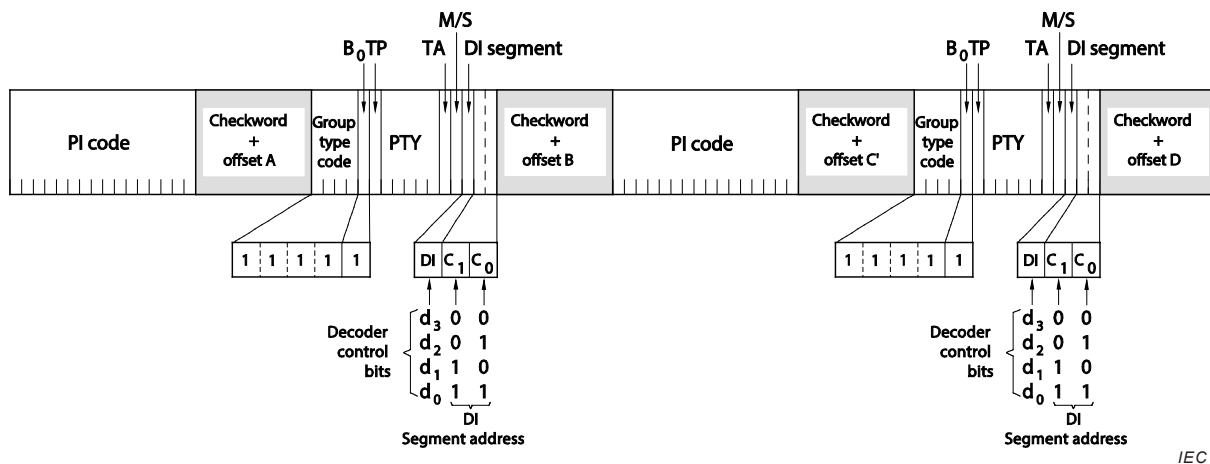


Figure 40 – Fast basic tuning and switching information – Type 15B group

When groups of this type are transmitted, the repetition rate may be chosen to suit the application and the available channel capacity at the time.

NOTE 1 For details for programme identification (PI), programme type (PTY) and traffic programme (TP) code, see 6.2.2 and Annex D and Annex F.

NOTE 2 TA = Traffic announcement code (1 bit) (see 6.2.2.3).

NOTE 3 MS = Music speech switch code (1 bit) (see 6.2.2.4).

NOTE 4 DI = Decoder-identification control code (4 bit) (see 6.2.2.5). This code is transmitted as 1 bit in each type 15B group. The DI segment address code (C_1 and C_0) serves to locate these bits in the DI codeword. Thus, in a group with $C_1C_0 = '00'$ the DI bit in that group is d_3 . These code bits are transmitted most significant bit (d_3) first.

6.2 Coding of information

6.2.1 General

A glossary of terms used in RDS applications is given in Clause 7, which also explains the expected responses of a consumer receiver to the various codes.

6.2.2 Coding of information for control

6.2.2.1 Programme identification (PI) codes and extended country codes (ECC)

The coding model for programme identification information and extended country codes is given in Annex D.

6.2.2.2 Programme type (PTY) codes

The applications of the 5-bit programme type codes are specified in Annex F. PTY codes 30 and 31 are control functions for a consumer receiver (see Annex F).

6.2.2.3 Traffic programme (TP) and traffic announcement (TA) codes

The coding to be used is as indicated in Table 8.

Table 8 – Codes for TP and TA

Traffic programme code (TP)	Traffic announcement code (TA)	Applications
0	0	This programme does not carry traffic announcements nor does it refer, via EON, to a programme that does.
0	1	This programme carries EON information about another programme which gives traffic information.
1	0	This programme carries traffic announcements and may also carry EON information about other traffic announcements.
1	1	A traffic announcement is being broadcast on this programme.

6.2.2.4 Music speech (MS) switch code

This is a 1-bit code. A '0' indicates that speech, at that moment, is being broadcast and a '1' indicates that music, at that moment, is being broadcast. When the broadcaster is not using this facility the bit value will be set at '1'.

6.2.2.5 Decoder identification (DI) and dynamic PTY indicator (PTYI) codes

Table 9 indicates the meaning of bit d_0 to d_3 . These four bits are used to indicate different operating modes to switch individual decoders on or off and to indicate if PTY codes in the transmission are dynamically switched.

Table 9 – Bit d_0 to d_3 meanings

Settings	Meaning
Bit d_0 , set to 0:	Mono
Bit d_0 , set to 1:	Stereo
Bit d_1 , set to 0:	Not artificial head
Bit d_1 , set to 1:	Artificial head
Bit d_2 , set to 0:	Not compressed
Bit d_2 , set to 1:	Compressed
Bit d_3 , set to 0:	Static PTY
Bit d_3 , set to 1:	Indicates that the PTY code on the tuned service, or referenced in EON variant 13, is dynamically switched

6.2.2.6 Coding of alternative frequencies (AFs)

6.2.2.6.1 AF code tables

In the following code tables, each 8-bit binary code represents a carrier frequency, or it represents a special meaning, as shown in Table 10, Table 11, Table 12. and Table 13.

Table 10 – VHF code table

Number	Binary code	Carrier frequency
0	0000 0000	Not to be used
1	0000 0001	87,6 MHz
2	0000 0010	87,7 MHz
:	:	:
:	:	:
204	1100 1100	107,9 MHz

Table 11 – Special meanings code table

Number	Binary code	Special meaning
0	0000 0000	Not to be used
205	1100 1101	Filler code
206	1100 1110	Not assigned
:	:	:
223	1101 1111	Not assigned
224	1110 0000	No AF exists
225	1110 0001	1 AF follows
:	:	:
249	1111 1001	25 AFs follow
250	1111 1010	One LF/MF frequency follows
251	1111 1011	Not assigned
:	:	:
255	1111 1111	Not assigned

**Table 12 – Code tables according to ITU regions;
LF/MF code table – For ITU regions 1 and 3 (9 kHz spacing)**

Number	Binary code	Carrier frequency
LF 1	0000 0001	153 kHz
:	:	:
:	:	:
15	0000 1111	279 kHz
MF 16	0001 0000	531 kHz
:	:	:
:	:	:
:	:	:
:	:	:
135	1000 0111	1 602 kHz

**Table 13 – Code tables according to ITU regions;
MF code table – For ITU region 2 (10 kHz spacing)**

Number	Binary code	Carrier frequency
MF 16	0001 0000	530 kHz
:	:	:
:	:	:
:	:	:
:	:	:
124	0111 1100	1 610 kHz

6.2.2.6.2 Use of alternative frequencies in type 0A groups

To facilitate the automatic tuning process in a receiver, a number of AFs shall be transmitted. Ideally, the AF list shall only comprise frequencies of neighbouring transmitters or repeaters. Two methods of transmitting AFs are possible. AF method A is used for lists up to 25 in number and AF method B is used for larger lists. AF method B is also used where it is required to indicate frequencies of generically related services.

6.2.2.6.3 AF method A

Two AF codes are carried in block 3 of each type 0A group. The first byte in the transmitted list (codes 224 to 249) indicates the number of frequencies in that list. This list will also include the frequency of the transmitter originating the list, if it has repeaters.

Examples of AF method A coding:

	Example A		Example B		Example C	
1st 0A:	#5	AF1	#4	AF1	#4	AF1
2nd 0A:	AF2	AF3	AF2	AF3	AF2	AF3
3rd 0A:	AF4	AF5	AF4	Filler	LF/MF follows	AF4

Example A shows: a list of 5 VHF frequencies, where #5 is the number of the following frequencies, represented by code 229.

Example B shows: a list of 4 VHF frequencies, where filler code is 205.

Example C shows: a list of 3 VHF frequencies and 1 LF/MF frequency, where the code is 250 (LF/MF follows) followed by the AF4 frequency code.

6.2.2.6.4 AF method B

Method B AF coding is used where the number of AFs used by a transmitter and its associated repeater stations exceeds 25, or where it is required to indicate frequencies which belong to different regions which at times carry different programmes.

Each transmitter and associated repeater stations broadcast the same set of different AF lists in sequence. The number of AF lists within a network is in general identical to the number of transmitters and repeater stations in the network, so as to provide a unique list for each transmitting station. In this protocol, the alternative frequencies for the VHF/FM transmitters are individually addressed by transmitting the tuning frequency paired with one alternative frequency within one block.

NOTE If the frequency referenced is for an LF/MF transmission, it occupies 2 AF codes, the first being code 250. Hence, it cannot be referenced to its associated tuning frequency.

Each list starts with a code giving the total number of frequencies within this list, followed by the tuning frequency for which the list is valid. All remaining pairs (up to 12) give the tuning frequency together with a valid AF.

- If the number of AFs of a station is larger than 12, the list shall be split into two or more lists. These lists are transmitted directly one after the other and the receiver shall combine the lists again.
- If a transmitter frequency is used more than once within a network the respective AF lists are transmitted separately. In order to indicate that these lists with the same tuning frequency belong to different stations, the lists shall be separated by AF lists of other stations. The receiver may combine them or evaluate them separately.

For the transmission of the frequency pairs within one block, the following convention is used.

- They are generally transmitted in ascending order, for example

89,3	99,5	or	99,5	101,8	$F_1 < F_2$
------	------	----	------	-------	-------------

- In special cases they are transmitted in descending order, if they belong to different regions, or carry from time to time different programmes, for example

99,5	90,6	or	100,7	99,5	$F_1 > F_2$
------	------	----	-------	------	-------------

In both the above examples 99,5 MHz is the main tuning frequency.

Examples of an AF method B coding:

F_1	F_2	Commentary
# 11	89,3	Total number (11) of frequencies for tuning frequency (89,3)
89,3	99,5	$F_2 > F_1$ hence 99,5 is an AF of tuned frequency 89,3, and is the same programme
89,3	101,7	$F_2 > F_1$ hence 101,7 is an AF of tuned frequency 89,3, and is the same programme
88,8	89,3	$F_2 > F_1$ hence 88,8 is an AF of tuned frequency 89,3, and is the same programme
102,6	89,3	$F_2 < F_1$ hence 102,6 is an AF of a regional variant of tuned frequency 89,3
89,3	89,0	$F_2 < F_1$ hence 89,0 is an AF of a regional variant of tuned frequency 89,3

# 9	99,5	Total number (9) of frequencies for tuning frequency (99,5)
89,3	99,5	$F_2 > F_1$ hence 89,3 is an AF of tuned frequency 99,5, and is the same programme
99,5	100,9	$F_2 > F_1$ hence 100,9 is an AF of tuned frequency 99,5, and is the same programme
104,8	99,5	$F_2 < F_1$ hence 104,8 is an AF of a regional variant of tuned frequency 99,5
99,5	89,1	$F_2 < F_1$ hence 89,1 is an AF of a regional variant of tuned frequency 99,5

Broadcasters using splitting of a network during certain hours of the day should use AF method B, and not AF method A. The lists should be static, i.e. the AFs included in the list, carrying a different programme during certain hours of the day, shall be signalled by transmitting in the descending order. Their PI shall differ in the second element (bits 8 to 11) of the code and may also be static. To identify different regional networks or programmes the PI area codes R1 to R12 shall be used (see Clause D.5).

This convention will permit a receiver to use a regional on/off mode which, when a receiver is in the mode 'regional off', will lead to the acceptance of the PI with the differing second

element, and thus permit switching to a different regional network. This option can be deactivated by choosing the mode 'regional on'. Then only AFs having the same second element of the PI (i.e. the same programme) will be used. This should also be the case for receivers without regional on/off mode. The switching of the second element of the PI to I, N, or S, respectively, informs a receiver that now even AFs transmitted in descending order carry the same programme and the receiver should use this information to allow switching to these AFs.

6.2.2.6.5 Convention for identification of the AF methods used

The AF method used is not signalled explicitly, but can easily be deduced by receivers from the frequent repetition of the main tuning frequency in the transmitted AF pairs in the case of AF method B.

6.2.2.6.6 Use of AF Codes in type 14A groups

AF codes in type 14A groups are used to refer to frequencies of other networks. There are two AF methods for transmitting this information.

Variant 4 utilises AF method A coding to transmit up to 25 frequencies. The coding method is as described above for type 0A groups. The PI code of the other network to which the AF list applies is given in block 4 of the group.

Variant 5 is used for the transmission of "Mapped frequency pairs". This is used to specifically reference a frequency in the tuned network to a corresponding frequency in another network. This is particularly used by a broadcaster that transmits several different services from the same transmitter tower with the same coverage areas.

The first AF code in block 3 refers to the frequency of the tuned network, the second code is the corresponding frequency of the other network identified by the PI code in block 4.

Where it is necessary to map one tuning frequency to more than one VHF/FM frequency for the cross-referenced programme service (due to multiple use of the tuning frequency or because the cross-referenced programme is receivable at more than one frequency within the service area associated with the tuning frequency), then variants 6, 7 and 8 are used to indicate second, third and fourth mapped frequencies, respectively.

LF/MF mapped frequencies are implicitly signalled by using variant 9. AF code 250 is not used with the mapped AF method.

6.2.2.7 Programme item number (PIN) codes

The transmitted programme item number code will be the scheduled broadcast start time and day of month as published by the broadcaster. For the coding of this information, see 6.1.5.2.

If a type 1 group is transmitted without a valid PIN, the day of the month shall be set to zero. In this case, a receiver which evaluates PIN shall ignore the other information in block 4.

6.2.2.8 Coding of enhanced other networks information (EON)

6.2.2.8.1 General

The enhanced information about other networks consists of a collection of optional RDS features relating to other programme services, cross-referenced by means of their PI codes. Features which may be transmitted using EON for other programme services are: AF, PS, PTY, TA, TP, PIN and linkage.

The format of the type 14 groups is shown in Figure 37 and Figure 38. It has two versions: A and B. The A version is the normal form and shall be used for the background transmission of

enhanced other networks information. The maximum cycle time for the transmission of all data relating to all cross-referenced programme services shall be less than two minutes. The A version has sixteen variants which may be used in any mixture and order. Attention is drawn to the fact that two distinct options, namely AF method A and the mapped frequency method, exist for the transmission of frequencies of cross-referenced programme services. A broadcaster should choose the most appropriate AF method for each cross-referenced programme service.

The B version of a type 14 group is used to indicate a change in the status of the TA flag of a cross-referenced programme service.

6.2.2.8.2 Coding of frequencies for cross-referenced programme services

Two AF methods exist for the transmission of AFs in the EON feature. Coding is described in 6.2.2.6.5.

A broadcaster may utilise the most appropriate AF method for each cross-referenced programme service, but within the reference to any single service these two AF methods shall not be mixed.

6.2.2.8.3 Use of the TP and TA features (Group type 0A/B, 15B and 14A/B)

For the tuned programme service, code TP = 0 in all groups and TA = 1 in type 0 and 15B groups indicates that this programme broadcasts EON information which cross-references at least to one programme service which carries traffic information. RDS receivers which implement the EON feature may use this code to signify that the listener can listen to the tuned programme service and nevertheless receive traffic messages from another programme service. RDS receivers which do not implement the EON feature shall ignore this code. Programme services which use the code TP = 0, TA = 1 shall broadcast type 14 B groups (at the appropriate times) relating to at least one programme service which carries traffic information, and has the flag TP = 1.

The TA flag within variant 13 of a type 14A group is used to indicate that the cross-referenced service is at the same time carrying a traffic announcement. This indication is intended for information only (e.g. for monitoring by broadcasters) and shall not be used to initiate a switch even if traffic announcements are desired by the listener. A switch to the cross-referenced traffic announcement shall only be made when a TA = 1 flag is detected in a type 14B group.

The type 14B group is used to cause the receiver to switch to a programme service which carries a traffic announcement. When a particular programme service begins a traffic announcement, all transmitters which cross-reference this service via the EON feature shall broadcast as many as possible of up to eight and at least four appropriate group 14B messages within the shortest practicable period of time (at least four type 14B groups per second). At the discretion of the broadcaster, a sequence of type 14B groups may be transmitted also when the TA flag is cleared. This option is provided only to assist in the control of transmitters. Receivers shall use the TA flag in the type 0 or 15B groups of the service which carries the traffic announcements in order to switch back to the tuned programme service at the end of the received traffic announcement.

If a transmitter cross-references to more than one traffic programme with different PI (ON) via the EON feature, the start time between two references, via type 14B groups, shall be two seconds or more.

Some RDS EON consumer receivers may need up to four correct type 14B groups for reliable functioning. Therefore, it is recommended to broadcast as many as possible of up to eight type 14B groups, to ensure the detection of the switching under bad receiving conditions.

The mechanism described above for switching to and from cross-referenced traffic announcements is designed to avoid the delivery of incomplete traffic messages by receivers operating under adverse reception conditions.

6.2.2.8.4 Use of PTY (ON) (Group type 0A/B, 15B and 14A/B)

Changes to PTY (ON) are treated as follows: PTY (ON) on the other network cross-referenced programme service is signalled in type 14A group variant 13. This variant, which causes dynamic switching, shall have a higher priority than other variants. Changes are signalled by a minimum of four and up to eight group type 14A, variants 13 transmitted within a maximum of four seconds, with the objective of causing rapid switching by the receiver to the other network cross-referenced programme service. (Spreading groups of variants 13 over a four second period avoids a contiguous burst of groups being lost due to multipath propagation.)

The type 14B group is used in addition to signal to the receiver the start of a programme item carrying a NEWS, WEATHER or ALARM announcement. When a particular programme service begins such an announcement, all transmitters which cross-reference this service via the EON feature shall broadcast as many as possible of up to eight and at least four appropriate group 14B messages within the shortest practicable period of time (at least four type 14B groups within two seconds). At the discretion of the broadcaster, a sequence of type 14B groups may be transmitted also when the PTY (ON-NEWS/WEATHER/ALARM) status is cleared. This option is provided only to assist in the control of transmitters. Receivers shall use the PTY (NEWS/WEATHER/ALARM) status in the type 0 or 15B groups of the service, which carries these announcements in order to switch back to the originally tuned programme service at the end of the received NEWS, WEATHER or ALARM announcement.

A transmitter may cross-reference to more than one programme with different PI (ON) via the EON feature.

6.2.2.8.5 Use of PIN (ON) (Group type 14A, variant 14)

Changes to PIN(ON) are treated as follows: PIN (ON) on the other network cross-referenced programme service is signalled in type 14A group variant 14. This variant, which causes dynamic switching, shall have a higher priority than other variants. Changes are signalled by a minimum of four and up to eight group type 14A, variants 14 transmitted within a maximum of two seconds, with the objective of causing rapid switching by the receiver to the other network cross-referenced programme service. (Spreading groups of variants 14 over a two second period avoids a contiguous burst of groups being lost due to multipath propagation.)

6.2.2.8.6 Method for linking RDS programme services (Group type 1A and 14A) – Linkage information

Linkage information provides the means by which several programme services, each characterised by its own PI code, may be treated by a receiver as a single service during times when a common programme is carried.

During such times each programme service retains its unique identity, i.e. the programme service shall keep its designated PI code and its AF (alternative frequency) list(s), but may change programme related features such as PS, PTY, RT, TP and TA to reflect the common programme. With LA = 1, a service carrying codes TP = 1 or TP = 0/TA = 1 shall not be linked to another service carrying the codes TP = 0/TA = 0.

Linkage information is conveyed in the following four data elements:

- a) LA – Linkage actuator (1 bit);
- b) EG – Extended generic indicator (1 bit);
- c) ILS – International linkage set indicator (1 bit);
- d) LSN – Linkage set number (12 bit).

This information is carried in block 3 of variant 12 of type 14A groups, and informs the receiver to which set of programme services any particular service, defined by PI (ON) carried in block 4 of the same group, belongs.

When linkage information regarding the tuned programme service is transmitted, the PI code carried in block 4 of the group, PI (ON), will be identical to the PI code carried in block 1.

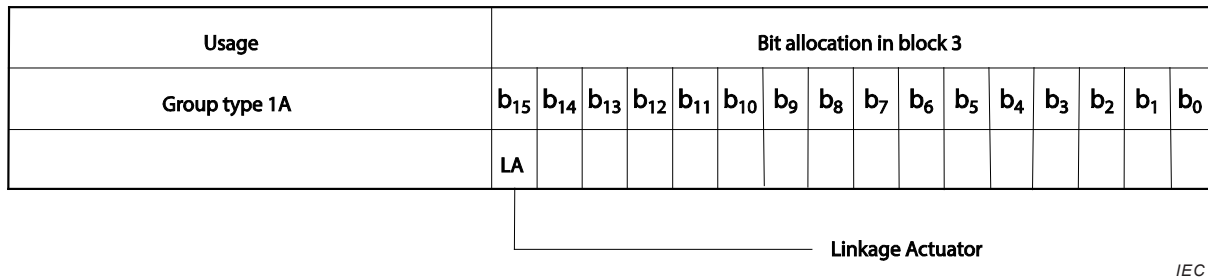


Figure 41 – Structure of Block 3 of Type 1A groups

In order to achieve rapid de-linkage at the end of a common programme, the Linkage Actuator (LA) for the tuned network is also carried in group type 1A, as bit b₁₅ of block 3 (see 6.1.5.2). This group type shall normally be transmitted at least once every 5 s, preferably more frequently when a change in status occurs.

The four data elements used to convey linkage information are defined as follows:

LA – Linkage Actuator (see Figure 41, Figure 42 and Figure 43)

This bit is set to one to inform the receiver that the programme service (indicated by PI (ON) in block 4) is linked to the set of services described by LSN, the Linkage Set Number, at the at this particular moment. If this bit is set to zero, a potential future link is indicated, i.e. the link becomes active at some time in the future. The receiver may then use the linkage data to determine those services for which EON data might usefully be acquired.

EG – Extended Generic indicator (see Figure 42 and Figure 43)

This bit is set to one to inform the receiver that the programme service, defined in block 4 of a type 14A group is a member of an extended generic set. Such a set comprises programme services which are related (e.g. by common ownership, or a similar format), but which do not necessarily carry the same audio.

An extended generic set is characterized by PI codes of the form WXYZ, where W is the common country code, X is the area code (that shall lie in the range R1 to R12), Y is common to all such related services, and Z may assume any value.

ILS – International Linkage Set indicator (see Figure 42 and Figure 43)

In case of an international link, the indicator ILS (bit b₁₂ of block 3 in variant 12 of group type 14A) will be set to one.

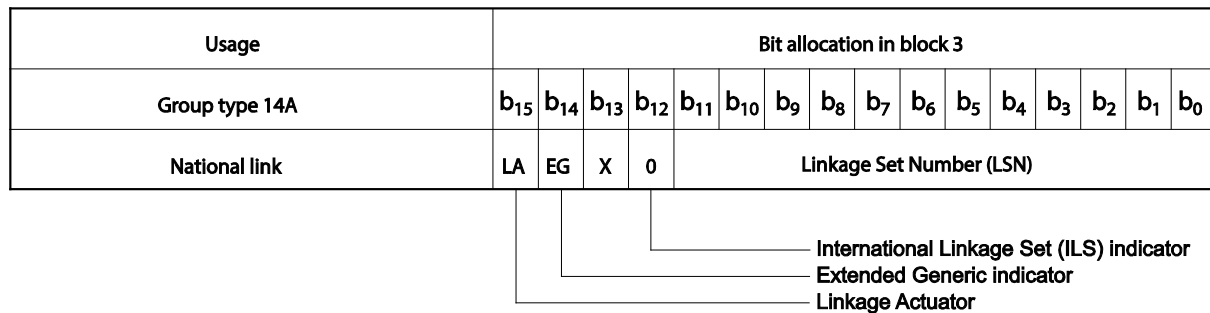
LSN – Linkage Set Number (see Figure 42 and Figure 43)

This 12 bit number is carried in block 3 of variant 12 of type 14A groups. The LSN, when non-zero, is common to those programme services which may be linked together as a set according to the status of the Linkage Actuator, either active (LA = 1) or potential (LA = 0, i.e. the link becomes active at some time in the future).

The special case of LSN = 0 is used as a default condition, and two or more services sharing LSN = 0 are not linked.

The LSN may be used to link together two or more programmes either nationally or internationally.

- National link (ILS = 0)

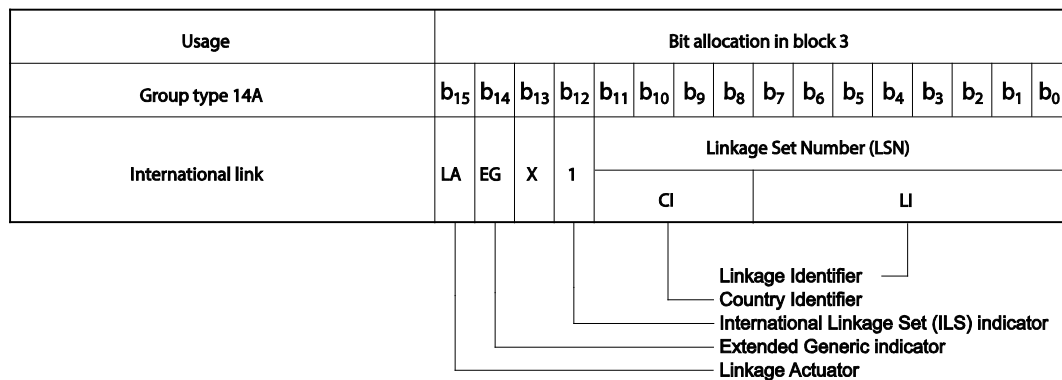


IEC

Figure 42 – Structure of variant 12 of block 3 of type 14A groups (linkage information) – National link

If two or more programme services with the same country code carry the same non-zero LSN and their respective LA bits are set to one, then the receiver may assume that the programme services are carrying the same audio.

- International link (ILS = 1)



IEC

Figure 43 – Structure of variant 12 of block 3 of type 14A groups (linkage information) – International link

In this case of an international link, the LSN is deemed to comprise two elements:

CI-Country Identifier: Bits b₁₁ to b₈ of block 3 shall be the country code of one of the two (or more) participating countries. For example, if Switzerland and Italy share a programme, they shall choose either 0x4 or 0x5 for CI, and then agree on bits b₇ to b₀ for a unique Linkage Identifier (LI).

LI-Linkage Identifier: Bits b₇ to b₀ are used to relate programme services internationally, and shall be agreed between the countries concerned. Such services share the same CI and LI.

When two or more programme services with the same or different country codes carry the same non-zero Linkage Set Number and their respective ILS and LA bits are set to one, then the receiver may assume that the programme services are carrying the same audio.

In Figure 42 and Figure 43 the bit indicated by 'X' is not assigned to the linkage application and may be assumed to be in either state.

Conventions for application regarding the use of the LSN:

A link (potential or active) between any two or more programme services is considered to be valid only when the programme services are all linked with a common Linkage Set Number (LSN). No more than one Linkage Set Number will apply to any given programme service at the same time. Interleaving of different Linkage Set Numbers relating to the same programme service, for example an active link and a future potential link, is not permitted. An active link between m programme services out of n potentially linked services ($m < n$) is considered valid only when the Linkage Actuators (LA) in the linkage words concerning those m services are set to one.

6.2.3 Coding and use of information for display

The code Table E.1 and Table E.2 for the displayed 8-bit text characters (basic character set) relating to the Programme Service name, RadioText, Programme Type Name and alphanumeric Radio Paging is given in Annex E. As an alternative to RadioText RT with the basic character set an enhanced RadioText eRT with an extended character set given in Table E.3 may be used. The coding for eRT is detailed in Annex Q. It is an ODA.

The Programme Service name comprises eight characters, intended for static display on a receiver. It is the primary aid to listeners in programme service identification and selection. The use of PS to transmit text other than a single eight character name is not permitted (see also 6.1.5.1). Transmission of a PS name usually takes four type 0A groups, but to allow an instant display of the PS when a receiver pre-set is selected, the PS name is often stored for subsequent recall from memory when a programme service is selected.

The transmission and reception conditions for PS described were designed on the basis that PS would generally be invariant. A few transmission operators have allowed PS to change to reflect the origin of the service, for example when a regional service switches to a national service. These changes which may occur a few times a day and have a duration of anything between a few minutes and several hours, are acceptable, but any other dynamic changes to PS are NOT acceptable and may cause a safety hazard by distracting a vehicle driver. A similar effect could be experienced with dynamic text transmission of PTYN. As a result, dynamic PS and PTYN transmissions are expressly forbidden.

Similarly, RT and eRT could also be distracting to a vehicle driver. Therefore the in-vehicle display of RT and eRT should normally be disabled and the RT/eRT display should be designed for end-user viewing only, when manually enabled.

6.2.4 Coding of clock time and date (CT)

The transmitted clock-time and date shall be accurate. Otherwise CT shall not be transmitted.

In order to avoid ambiguity when radio-data broadcasts from various sources are processed at one point (e.g. reception from multiple time zones), and to allow calculations of time intervals to be made independent of time zones and summer-time discontinuities, the broadcast time and date codes will use Coordinated Universal Time (UTC) and Modified Julian Day (MJD). A coded local time-difference, expressed in multiples of half-hours is appended to the time and date codes.

Conversion between the Modified Julian Day date and UTC time codes and the various calendar systems (e.g. year, month, day, or year, week number, day of week) can be accomplished quite simply by processing in the receiver decoder (see Annex G).

6.2.5 Coding of information for Transparent Data Channels (TDC)

The coding of this information may be decided unilaterally by the operator, to suit the application. Consumer RDS receivers may provide an output of it (e.g. on a serial or a USB interface) for an external device (e.g. a personal computer).

6.2.6 Coding of information for in house applications (IH)

The coding of this information may be decided unilaterally by the broadcaster to suit the application. Consumer RDS receivers shall entirely ignore this information.

6.2.7 Coding of Radio Paging (RP)

6.2.7.1 General

Radio paging is described in detail in Annex M.

The radio paging system explained here is also described in specification No. 1301/A694 3798 (issued by Swedish Telecom Radio) [9].

The two radio paging protocols in this standard are

- radio paging as described in Clause M.2 and,
- Enhanced Paging Protocol (EPP) as described in Clause M.3.

As the enhanced paging protocol is an improvement of radio paging, upwards compatibility is assumed.

Radio paging offers the following features.

- Radio paging:
 - support for a wide range of message types, including international paging calls. It is possible to use simultaneously more than one programme service (up to four) to carry the paging information. This allows flexibility to meet peak demands for the transmission of paging codes.

Battery-saving techniques are employed.

- Enhanced paging protocol:
 - possibility to support multi-operator and/or multi-area paging services;
 - increased battery life time;
 - implementation of an international radio paging service,
 - pager's compatibility with the US NRSC-4- RBDS standard;
 - extension of address range capability for a flexible management of a large number of pagers;
 - increased reliability of the system;
 - message labelling;
 - extension of the range of message types.

6.2.7.2 Identification of paging networks

6.2.7.2.1 No paging on the network

As some fields of type 1A groups are used for paging, either basic or enhanced, and to avoid conflicts with other applications, the following rules shall to be respected by broadcasters/operators, when type 1A groups are transmitted:

- the five bits of block 2 relative to the paging are set to zero;
- the four bits of block 3 of type 1A group, variant 0, reserved for paging are set to zero;
- when no valid PIN is broadcast, all the five most significant bits of block 4 (day) shall be set to zero;
- type 1A group, variant 2, shall not be transmitted.

6.2.7.2.2 Paging on the network

Type 4A group, clock time and date (CT), is transmitted at the start of every minute. The transmitted CT (see 6.1.5.6 and 6.2.4) shall be accurate. Otherwise CT shall not be transmitted.

Type 1A groups are transmitted at least once per second. All the fields of type 1A groups allow the identification of the paging protocol level:

radio paging,
enhanced paging protocol, or
mixed.

The description of these protocols is detailed in Annex M.

Type 7A group is used to convey the paging information.

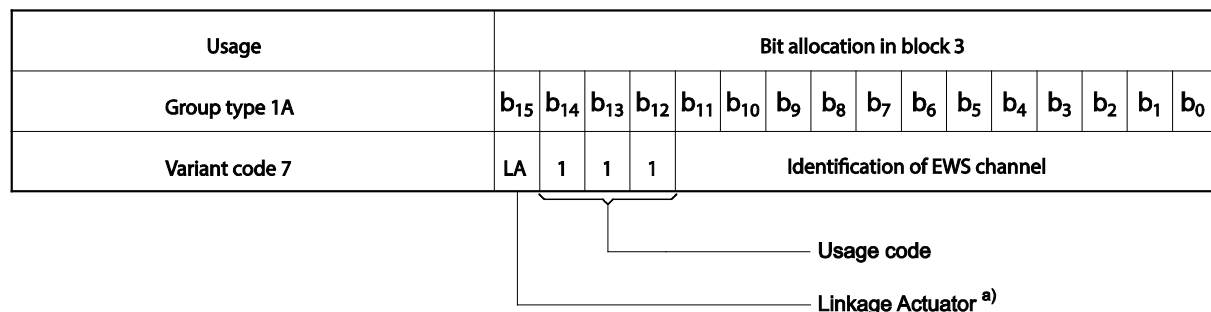
Type 13A group, which is used to transmit the information relative to the network and the paging traffic, is optional and used only in case of enhanced or mixed paging.

6.2.8 Coding of Emergency Warning Systems (EWS)

This type of information is carried by type 9A groups (see 6.1.5.13), and this service may be independent of the warning and alarm codes (PTY = 30 and PTY = 31).

The type 1A group identification is also required to operate this service, as follows.

Variant 7 in block 3 of the type 1A group (see Figure 44) is used to identify the transmission that carries emergency messages to enable specific receivers, evaluating these messages to automatically tune to the corresponding channel. The repetition rate depends on the exact national implementation, but shall normally not exceed one type 1A group every 2 s.



IEC

^a The Linkage Actuator is defined in the Method for Linking RDS Programme Services (see 6.2.2.8.6).

Figure 44 – Structure of Variant 7 of Block 3 of type 1A groups for Identification of a programme carrying EWS information

7 Description of features

7.1 Alternative frequencies list (AF)

The list(s) of alternative frequencies give(s) information on the various transmitters broadcasting the same programme in the same or adjacent reception areas, and enable receivers equipped with a memory to store the list(s), to reduce the time for switching to another transmitter. This facility is particularly useful in the case of car and portable radios. Coding of alternative frequencies is explained in 6.2.2.6.2.

7.2 Clock Time and date (CT)

Time and date codes shall use Coordinated Universal Time (UTC) and Modified Julian Day (MJD). Details of using these codes, which are intended to update a free running clock in a receiver are given in 6.2.4 and Annex G. If MJD = 0, the receiver shall not be updated. The listener, however, will not use this information directly and the conversion to local time and date will be made in the receiver's circuitry. CT is used as time stamp by various RDS applications and thus it shall be accurate.

7.3 Decoder Identification (DI) and dynamic PTY Indicator (PTYI)

These bits indicate which possible operating modes are appropriate for use with the broadcast audio and to indicate if PTY codes are switched dynamically.

7.4 Extended Country Code (ECC)

RDS uses its own country codes (see Annex D and Annex N). The first most significant bits of the PI code carry the RDS country code. The four bit coding structure only permits the definition of 15 different codes, 0x1 to 0xF. Since there are many more countries to be identified, some countries have to share the same code which does not permit unique identification. Hence, there is the need to use the extended country code which is transmitted in Variant 0 of Block 3 in type 1A groups and together with the country identification in bit b_{15} to b_{12} of the PI code render a unique combination. The ECC consists of eight bit.

7.5 Enhanced Other Networks information (EON)

This feature can be used to update the information stored in a receiver about programme services other than the one received. Alternative frequencies, the PS name, traffic programme and traffic announcement identification as well as programme type and programme item number information can be transmitted for each other service. The relation to the corresponding programme is established by means of the relevant programme identification (see 6.2.2.8). Linkage information (see 6.2.2.8.6), consisting of four data elements, provides the means by which several programme services may be treated by the receiver as a single service during times a common programme is carried. Linkage information also provides a mechanism to signal an extended set of related services.

7.6 Emergency Warning System (EWS)

The EWS feature is intended to provide for the coding of warning messages. These messages will be broadcast only in cases of emergency and will only be evaluated by special receivers (see 6.2.8).

Alternatively, EWS may be implemented as an ODA (see 6.1.4).

7.7 In House application (IH)

This refers to data to be decoded only by the operator. Some examples noted are identification of transmission origin, remote switching of networks and paging of staff. The applications of coding may be decided by the operator.

7.8 Music Speech switch (MS)

This is a two-state signal to provide information on whether music or speech is being broadcast. The signal would permit receivers to be equipped with two separate volume controls, one for music and one for speech, so that the listener could adjust the balance between them to suit his individual listening habits.

7.9 Open Data Applications (ODA)

Open Data Applications are a very effective and flexible way for adding additional applications to an RDS service. A number of different ODAs may exist on any service, subject to capacity. ODAs may be transmitted constantly, or only when required (e.g. an application which provides an alert in case of extreme weather conditions, etc.). The open data applications feature (see 6.1.4.1) is conveyed in a number of allocated groups in an RDS transmission. The allocated groups are indicated by the use of the type 3A group which is used to identify to a receiver the data application in use in accordance with the registration details in the open data applications directory (see Annex L).

7.10 Programme Identification (PI)

The programme identification (PI) is a code enabling the receiver to distinguish between audio programme content. The most important application of the PI code is to enable the receiver in the event of bad reception, to switch automatically from the frequency used at that time to an alternative frequency. The criterion for the change-over to the new frequency would be the presence of a better signal having the same programme identification code. It follows therefore that the PI shall be allocated in such a way that it uniquely distinguishes each audio programme content from all others in the same area.

The actual values of the PI code are largely unimportant as it is not intended for direct display. Of importance, however, is that a methodology exists within a broadcast area (i.e. a continent), to ensure uniqueness of PI code allocations to programme services.

In Europe, for example, a pool of theoretical 65 536 unique values have been allocated firstly at international level, and thereafter at national and regional levels for allocation by the appropriate authorities. Hence, there is a structure to PI code allocations in Europe, which is described in Annex D.

Note that as the primary purpose of the PI code is to facilitate automatic tuning between different transmitters all carrying the same audio content, the physical location of the transmitter itself is immaterial in determining the PI code. It is the location of the origin of the audio programme which decides the value of the PI code to be used. Hence, transmitters broadcasting an international programme originating in one country and being relayed by transmitters in other countries would carry the same PI code, regardless of their locations, or otherwise automatic tuning between transmitters cannot occur. Additionally, as the relay transmitter will relay the RDS data, as well as the audio content, it is obvious that the PI code allocated to the transmitter at the head of the chain of transmitters will simply be re-broadcast by all transmitters in the relay chain.

As the PI has a unique value in each area, it may be thought of as a primary key to which all other RDS parameters about a particular service are referenced. For this reason, the PI code appears in every RDS group type, and when referring to other services as in EON.

Short-range transmitting devices connected to audio sources, when additionally using RDS features, require also the use of a specific PI code.

The PI code element structure is defined in Annex D.

7.11 Programme Item Number (PIN)

This code shall enable receivers and recorders designed to use this feature to respond to the particular programme item(s) that the user has preselected. Use is made of the scheduled programme time, to which is added the day of the month in order to avoid ambiguity (see 6.2.2.7).

7.12 Programme Service name (PS)

This is the label of the programme service consisting of not more than eight alphanumeric characters coded in accordance with Table E.1 and Table E.2, which is displayed by RDS receivers in order to inform the listener what programme service is being broadcast by the station to which the receiver is tuned (see 6.1.5.1). An example for a name is 'Radio 21'. The programme service name is not intended to be used for automatic search tuning and shall not be used for giving sequential information.

7.13 Programme Type (PTY)

This is an identification number to be transmitted with each programme item and which is intended to specify the current programme type within 31 possibilities (see Annex F). This code could be used for search tuning. The code will, moreover, enable suitable receivers and recorders to be pre-set to respond only to programme items of the desired type. The last number, i.e. 31, is the alarm identification which is intended to switch on the audio signal when a receiver is operated in a waiting reception mode.

7.14 Programme Type Name (PTYN)

The PTYN feature is used to further describe current PTY. PTYN permits the display of a more specific PTY description that the broadcaster can freely decide (e.g. PTY = 4: Sport and PTYN: Football). The PTYN is not intended to change the default eight characters of PTY which will be used during search or wait modes, but only to show in detail the programme type once tuned to a programme. If the broadcaster is satisfied with a default PTY name, it is not necessary to use additional data capacity for PTYN. The programme type name is not intended to be used for automatic PTY selection and shall not be used for giving sequential information.

7.15 Radio Paging (RP)

The RP feature is intended to provide radio paging using the existing VHF/FM broadcasts as a transport mechanism, thereby avoiding the need for a dedicated network of transmitters. Subscribers to a paging service will require a special pocket paging receiver in which the subscriber address code is stored.

The detailed coding protocols are given in Annex M.

7.16 RadioText (RT)

This refers to text transmissions coded in accordance with the basic character set of Table E.1 and Table E.2, addressed to receivers, which would be equipped with suitable display facilities (see 6.2.3).

7.17 Enhanced RadioText (eRT)

This is an enhanced RadioText alternative to enable text transmissions coded in accordance with the extended character set of Table E.3, addressed to receivers, which would be equipped with suitable display facilities (see 6.2.3 for the display and Annex Q for coding). eRT uses an ODA and is thus not incompatible with old receivers incapable of response to using this feature.

7.18 RadioText Plus (RT+)

This allows to tag specific elements of RadioText and permits, among many other possibilities, to improve the presentation on a display for RT or eRT. The tagged RadioText elements can also be stored as a list that could be searched by the end user. A popular application is to list music titles and artist names (see Annex P for the coding). Many other application possibilities would exist or could be developed. RT+ is an ODA and is thus compatible with old receivers not using this new feature.

7.19 Traffic Announcement identification (TA)

This is an on/off switching signal to indicate when a traffic announcement is on air. The signal can be used in receivers to

- a) switch automatically from any audio mode to the traffic announcement,
- b) switch on the traffic announcement automatically when the receiver is in a waiting reception mode and the audio signal is muted,
- c) switch from a programme to another one carrying a traffic announcement, according to those possibilities which are given in 6.2.2.3 or 6.2.2.8.3.

After the end of the traffic announcement the initial operating mode will be restored.

7.20 Transparent Data Channels (TDC)

The transparent data channels consist of 32 channels which may be used to send any type of data.

7.21 Traffic Message Channel (TMC)

This feature is intended to be used for the coded transmission of traffic information (ALERT-C protocol). The coding for TMC is separately specified in the ISO 14819 series. It is an ODA. The feature can be open or encrypted for conditional access.

7.22 Traffic Programme identification (TP)

This flag indicates that the tuned programme carries traffic announcements. The TP flag shall only be set on programmes which dynamically switch on the TA identification during traffic announcements. The signal shall be taken into account during automatic search tuning.

8 Marking

Equipment using RDS features should be marked with one of the symbols given in Annex K.

Copyright of these symbols is owned jointly by the European Broadcasting Union and the British Broadcasting Corporation. These organizations freely grant permission to use these symbols to all manufacturers of RDS equipment to be used on equipment conforming to this standard and IEC 62634 [19] specifying RDS receiver measurements, in whole or in part, and upon literature and packaging relating to such products.

U.S.A. – Trademark of these symbols is owned by the National Association of Broadcasters on behalf of the National Radio Systems Committee. Manufacturers wishing to use these symbols shall comply with the US NRSC-4- RBDS Standard and obtain certification that the products or equipment conform to this specification.

Contact:

BS EN 62106:2015

IEC 62106:2015 © IEC 2015

– 61 –

CEA RDS Certification Program
c/o Consumer Electronics Association
1919, S. Eads Street
Arlington, VA. 22202, USA

Annex A (normative)

Offset words to be used for group and block synchronisation

The offset words are chosen in such a way that the content in the offset register will not be interpreted as a burst of errors equal to or shorter than five bit when rotated in the polynomial shift register (see Annex B).

Only eight bit (i.e. d_9 to d_2) are used for identifying the offset words. The remaining two bit (i.e. d_1 and d_0) are set to logical level zero.

The five offset words (A, B, C, C', D) of Table A.1 are used for all applications.

Table A.1 – Offset word codes

Offset word ^a	Binary value									
	d_9	d_8	d_7	d_6	d_5	d_4	d_3	d_2	d_1	d_0
A	0	0	1	1	1	1	1	1	0	0
B	0	1	1	0	0	1	1	0	0	0
C	0	1	0	1	1	0	1	0	0	0
C'	1	1	0	1	0	1	0	0	0	0
D	0	1	1	0	1	1	0	1	0	0

^a In previous editions of this standard the offset word E (binary value = 0) was used in the USA when RDS and MMBS (Modified Mobile Search paging) were implemented. This service has been discontinued and therefore there is no longer a need for new receivers to interpret offset word E.

The offset words are added (modulo-two) to the checkword $c_9 - c_0$ to generate the modified check-bits: $c'_9 - c'_0$ (see 5.3).

Annex B (informative)

Theory and implementation of the modified shortened cyclic code

B.1 General

The data format described in this standard uses a shortened cyclic block code, which is given the capability of detecting block-synchronisation-slip by the addition (modulo-two) of chosen binary sequences (offset words, see Annex A) to the check bits of each codeword, see references [4, 6 and 7].

B.2 Encoding procedure

B.2.1 Theory

A definitive description of encoding of information is given in B.3.2.

The code used is an optimum burst-error-correcting shortened cyclic code [5] and has the generator polynomial:

$$g(x) = x^{10} + x^8 + x^7 + x^5 + x^4 + x^3 + 1$$

Each block consists of 16 information bit and 10 check bit. Thus, the block length is 26 bit.

The 10-bit checkword of the basic shortened cyclic code may be formed in the usual way, i.e. it is the remainder after multiplication by x^{n-k} (where $n-k$ is the number of check bits, 10 here), and then division (modulo-two) by the generator polynomial $g(x)$, of the message vector.

Thus, if the polynomial $m(x) = m_{15}x^{15} + m_{14}x^{14} + \dots + m_1x + m_0$

(where the coefficients m_n are 0 or 1), represents the 16-bit message vector, the basic code vector $v(x)$ is given by

$$v(x) = m(x)x^{10} + \frac{m(x)x^{10}}{g(x)} \Big| \text{mod } g(x)$$

The transmitted code vector is then formed by the addition (modulo-two) of the 10-bit offset word, $d(x)$ (see Annex A) to the basic code vector $v(x)$.

Thus the transmitted code vector, $c(x)$, is given by

$$\begin{aligned} c(x) &= d(x) + v(x) \\ &= d(x) + \frac{m(x)x^{10}}{g(x)} \Big| \text{mod } g(x) \end{aligned}$$

The code vector is transmitted most significant bit first, i.e. information bits $c_{25}x^{25}$ to $c_{10}x^{10}$, followed by modified check bits c_9x^9 to c_0x^0 .

The encoding process may alternatively be considered in terms of its generator matrix \mathbf{G} , shown in Figure B.1, which is derived from the generator polynomial. The 16 information bits

are expressed as a 16 × 1 column matrix and multiplied by the generator matrix to give the information bits and check bits. The complete transmitted code vector is then formed by the addition of the offset word, $d(x)$.

$$G = \begin{pmatrix}
 1 & 0 & 0 & 0 & 0 & 0 & 0 & 0 & 0 & 0 & 0 & 0 & 0 & 0 & 0 & 0 & 0 & 0 & 0 & 1 & 1 & 1 & 0 & 1 & 1 & 1 \\
 0 & 1 & & & & & & & & & & & & & & & & & & 0 & 1 & 0 & 1 & 1 & 1 & 0 & 0 & 1 & 1 & 1 \\
 0 & & 1 & & & & & & & & & & & & & & & & 0 & 1 & 1 & 1 & 0 & 1 & 0 & 1 & 1 & 1 & 1 \\
 0 & & & 1 & & & & & & & & & & & & & & & 0 & 1 & 1 & 0 & 0 & 0 & 0 & 1 & 0 & 1 & 1 \\
 0 & & & & 1 & & & & & & & & & & & & & & 0 & 1 & 1 & 0 & 1 & 0 & 1 & 1 & 0 & 0 & 1 \\
 0 & & & & & 1 & & & & & & & & & & & & & 0 & 1 & 1 & 0 & 1 & 1 & 1 & 0 & 0 & 0 & 0 \\
 0 & & & & & & 1 & & & & & & & & & & & & 0 & 0 & 1 & 1 & 0 & 1 & 1 & 1 & 0 & 0 & 0 \\
 0 & & & & & & & 1 & & & & & & & & & & & 0 & 0 & 0 & 1 & 1 & 0 & 1 & 1 & 1 & 0 & 0 \\
 0 & & & & & & & & 1 & & & & & & & & & & 0 & 0 & 0 & 0 & 1 & 1 & 0 & 1 & 1 & 1 & 0 \\
 0 & & & & & & & & & 1 & & & & & & & & & 0 & 0 & 0 & 0 & 0 & 1 & 1 & 0 & 1 & 1 & 1 \\
 0 & & & & & & & & & & 1 & & & & & & & & 0 & 1 & 0 & 1 & 1 & 0 & 0 & 0 & 0 & 1 & 1 & 1 \\
 0 & & & & & & & & & & & 1 & & & & & & & 0 & 1 & 1 & 1 & 0 & 1 & 1 & 1 & 1 & 1 & 1 & 1 \\
 0 & & & & & & & & & & & & 1 & & & & & & 0 & 1 & 1 & 0 & 0 & 0 & 0 & 0 & 0 & 1 & 1 & 1 \\
 0 & & & & & & & & & & & & & 1 & & & & & 0 & 1 & 1 & 0 & 1 & 0 & 1 & 1 & 1 & 0 & 1 & 1 \\
 0 & & & & & & & & & & & & & & 1 & & & & 1 & 0 & 1 & 1 & 0 & 1 & 1 & 1 & 0 & 0 & 1 & 0 \\
 0 & 0 & 0 & 0 & 0 & 0 & 0 & 0 & 0 & 0 & 0 & 0 & 0 & 0 & 0 & 0 & 0 & 0 & 1 & 0 & 1 & 1 & 0 & 1 & 1 & 1 & 0 & 0 & 1 & 1
 \end{pmatrix}$$

IEC

Figure B.1 – Generator matrix of the basic shortened cyclic code in binary notation

Thus

$$(m_{15}x^{15} + m_{14}x^{14} + \dots + m_0)G = m_{15}x^{25} + m_{14}x^{24} + \dots + m_0x^{10} + c_9x^9 + c_8x^8 + \dots$$

where

$c_9 = (m_{15} \times 0) \oplus (m_{14} \times 1) \oplus (m_{13} \times 1) \oplus \dots \oplus (m_1 \times 1) \oplus (m_0 \times 0)$
 $c_8 = (m_{15} \times 0) \oplus (m_{14} \times 1) \oplus (m_{13} \times 1) \oplus \dots \oplus (m_1 \times 1) \oplus (m_0 \times 0)$, etc.
 (\oplus indicates modulo-two addition).

The check bits of the code vector are thus readily calculated by the modulo-two addition of all the rows of the generator matrix for which the corresponding coefficient in the message vector is "1".

Thus for the message vector:

$$m(x) = 0000000000000001$$

The corresponding code vector is:

$$v(x) = 000000000000000010110111001$$

which may be seen to be the bottom row of the generator matrix.

After adding the offset word, say $d(x) = 0110011000$, the transmitted code vector is:

$$c(x) = 000000000000000010000100001$$

Similarly for the all "1"s message vector:

$$m(x) = 1111111111111111$$

it follows that:

$$v(x) = 11111111111111110011001101$$

which on adding an offset word $d(x) = 0110011000$ becomes:

$$c(x) = 11111111111111110101010101$$

B.2.2 Shift-register implementation of the encoder

Figure B.2 shows a shift-register arrangement for encoding the transmitted 26-bit blocks. The encoding procedure is as follows:

- at the beginning of each block clear the 10-bit encoder shift-register to the "all-zeroes" state;
- with gates A and B open (i.e. data passes through) and gate C closed (data does not pass through) clock the 16-bit message string serially into the encoder and simultaneously out to the data channel;
- after all the 16 message bits for a block have been entered, gates A and B are closed and gate C opened;
- the encoder shift-register is then clocked a further 10 times to shift the checkword out to the data channel through a modulo-two adder where the offset word, $d(x)$, appropriate to the block is added serially bit-by-bit to form the transmitted checkword;
- the cycle then repeats with the next block.

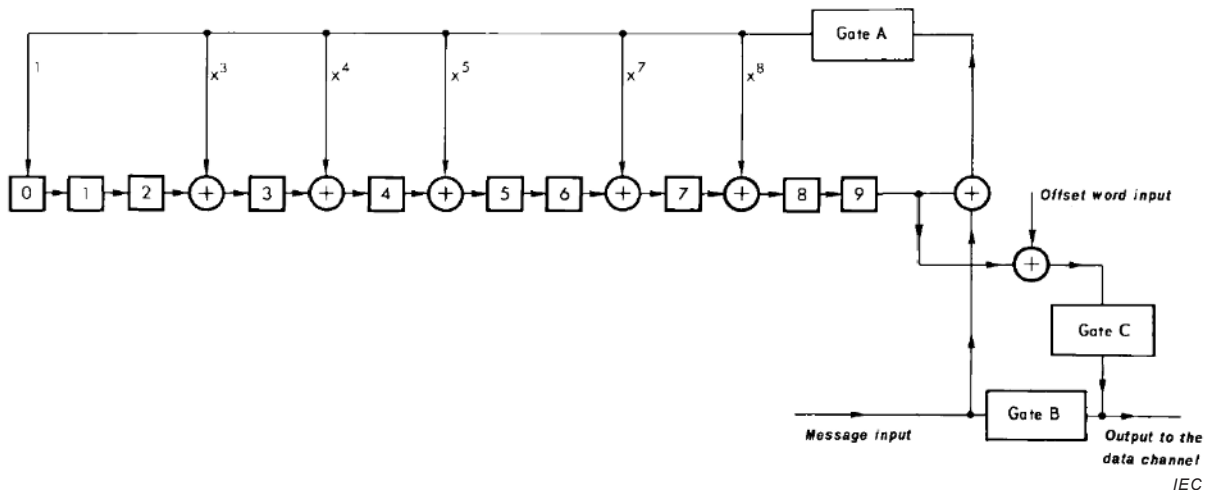


Figure B.2 – Shift-register implementation of the encoder

B.3 Decoding procedure

B.3.1 Theory

For a received binary sequence, \bar{y} , the syndrome \bar{s} can be calculated as $\bar{s} = \bar{y}\mathbf{H}$, where \mathbf{H} is a parity-check matrix such as that given in Figure B.3. If \bar{x} is the transmitted binary sequence and \bar{y} is the received sequence, then $\bar{y} \oplus \bar{x}$ is a sequence that contains a 1 in

each position in which \bar{x} and \bar{y} differ. This sequence is called the error sequence \bar{z} . The definition of the parity-check matrix H is such that $\bar{x}H = 0$, if \bar{x} is a codeword.

Thus
$$\bar{z}H = (\bar{y} \oplus \bar{x})H = \bar{y}H \oplus \bar{x}H = \bar{y}H = \bar{s} = 0$$

i.e.
$$\bar{s} = \bar{z}H$$

If the errors introduced on the channel are known then the syndrome is also known. This relation is used for synchronisation in the system.

If an offset word is added to each block, it is the same as an error added to each block, i.e. the offset word is equivalent to an error sequence \bar{z} , on the channel. If there are no other errors on the channel, the offset word can be found in the received information by calculating the syndrome $\bar{s} = \bar{z}H$.

The calculation of the syndromes for the different offset words can easily be done by multiplying each word with the parity matrix H .

For example, with the offset word A=0011111100:

Now the parity-check matrix H is:

$H =$

100000000
010000000
001000000
000100000
000010000
000001000
000000100
000000010
000000001
101101110
010110111
001011011
101000111
111001111
110010011
110101010
110111010
011011101
100000001
111101110
011110110
001111011
101010011
111000111
110001101

IEC

This matrix which is used in the decoder of Figure B.4.

Figure B.3 – Parity-check matrix of the basic shortened cyclic code

Thus $\bar{s} = \bar{z}H = 1111011000$.

The other syndromes can be calculated in the same way. The syndromes corresponding to offset words A to D calculated using the matrix of Figure B.3, are shown in Table B.1.

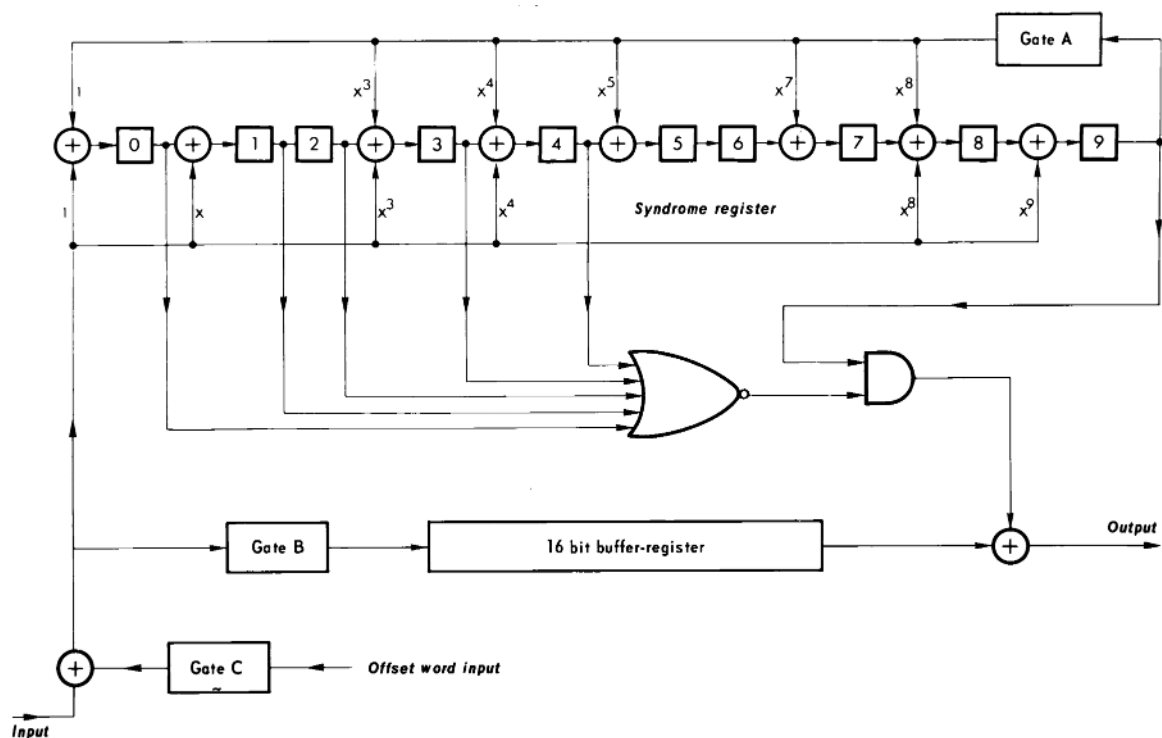
Table B.1 – Offset word syndromes using matrix of Figure B.3

Offset	Offset word $d_9, d_8, d_7, \dots, d_0$	Syndrome $S_9, S_8, S_7, \dots, S_0$
A	0011111100	1111011000
B	0110011000	1111010100
C	0101101000	1001011100
C'	1101010000	1111001100
D	0110110100	1001011000

B.3.2 Implementation of the decoder

There are several methods using either hardware or software techniques for implementing the decoder. One possible method is described below.

Figure B.4 shows a shift-register arrangement for decoding the transmitted 26-bit blocks and performing error-correction and detection.



IEC

Figure B.4 – Shift-register implementation of the decoder

The decoding procedure is as follows, assuming that in this explanation, group and block synchronisation have already been acquired (see Annex C):

- at the beginning of each block the 10-bit syndrome-register and the 16-bit buffer-register are cleared to the "all-zeroes" state;
- the 16 information bit are fed into the syndrome- and buffer-registers. Gates A and B are open (conducting), and Gate C is closed (not conducting);

- c) with gate B closed and gate C open the 10 check-bits are fed into the syndrome-register. The offset word appropriate to the block is then subtracted from the checkword serially bit-by-bit at the modulo-two adder at the input to the decoder;
- d) the 16 information bits in the buffer-register are clocked to the output and the content of the syndrome-register is rotated with gate A open;
- e) when the five left-most stages in the syndrome-register are all zero, a possible error burst with a maximum length of five bit shall lie in the five right-hand stages of the register;
- f) gate A is closed and the contents of the syndrome register are added bit-by-bit to the bit-stream coming from the buffer-register. If the five left-most stages do not become all zero before the buffer-register is empty, either an uncorrectable error has occurred or the error is in the check-bits;
- g) the cycle then repeats with the next block.

In this implementation of the decoder, in addition to the connections to the syndrome register corresponding to the coefficients of the generator polynomial, $g(x)$, there is a second set of connections to perform automatic pre-multiplication of the received message by x^{325} modulo $g(x)$. This is necessary because the code has been shortened from its natural cyclic length of 341 bit. The remainder of x^{325} modulo $g(x)$ is: $x^9 + x^8 + x^4 + x^3 + x + 1$, and the second set of connections to the syndrome register may be seen to correspond to the coefficients in this remainder.

Reference [4] gives a further explanation of this decoding technique.

Annex C (informative)

Implementation of group and block synchronisation using the modified shortened cyclic code

C.1 Theory

C.1.1 Acquisition of group and block synchronisation

To acquire group and block synchronisation at the receiver (for example when the receiver is first switched on, on tuning to a new station, or after a prolonged signal-fade) the syndrome \bar{s} shall be calculated for each received 26-bit sequence. That is, on every data-clock pulse the syndrome of the at that time stored 26-bit sequence (with the most recently received data bit at one end and the bit received 26 clock pulses ago at the other) is calculated on every clock pulse.

This bit-by-bit check is done continuously until two syndromes corresponding to valid offset words, and in a valid sequence for a group, i.e. A, B, C (or C'), D are found $n \times 26$ bit apart (where $n = 1, 2, 3$, etc.). When this is achieved, the decoder is synchronised and the offset words which are added to the parity bits at the transmitter are subtracted at the receiver before the syndrome calculation for error correction/detection is done (see Annex B).

C.1.2 Detection of loss of synchronisation

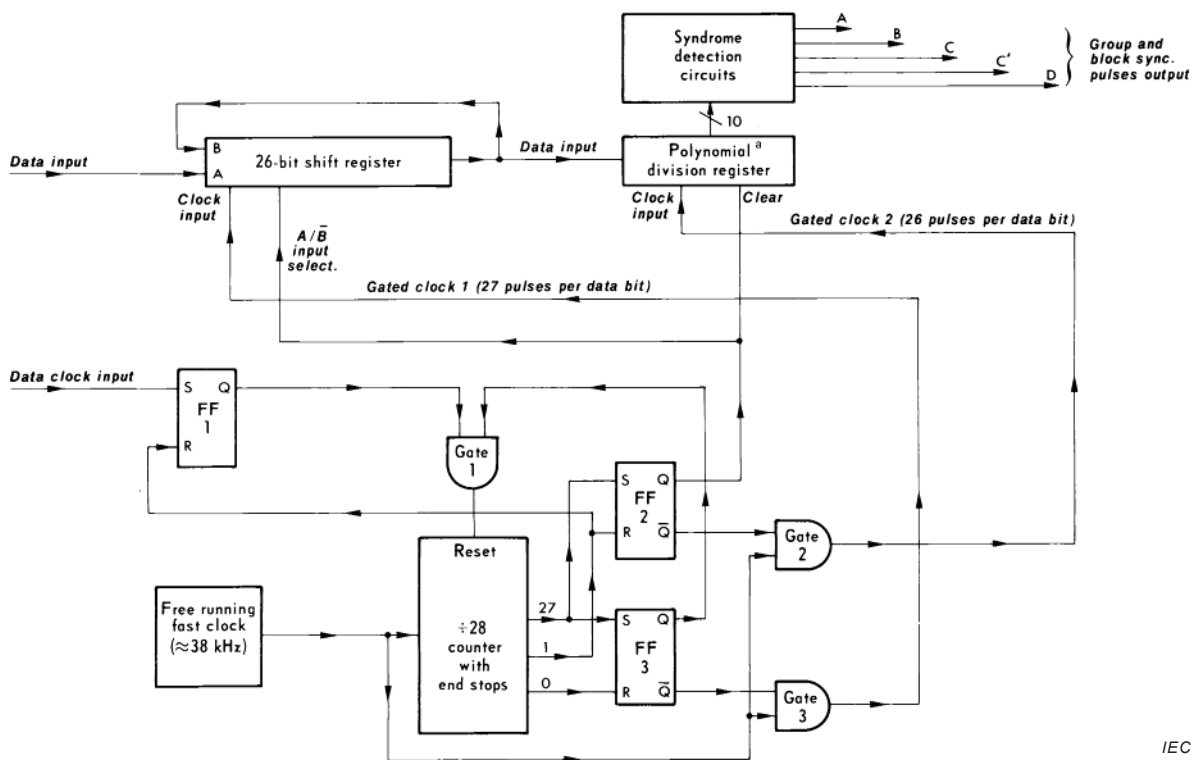
It is very important to detect loss of synchronisation as soon as possible. One possibility is to check the syndrome continuously as for acquisition of synchronisation. However, errors in the channel will make it difficult to continuously receive the expected syndromes, and therefore the decision shall be based on the information from several blocks, for example up to 50 blocks. Another possibility is to check the number of errors in each block and base the decision on the number of errors in 50 blocks.

One possibility for detecting block synchronisation slips of one bit is to use the PI code, which does not usually change on any given transmission. If the known PI code is received correctly, but is found to be shifted one bit to the right or to the left, then a one bit clock-slip is detected. The decoder can then immediately correct the clock-slip.

C.2 Shift register arrangement for deriving group and block synchronisation information

There are several methods using either hardware or software techniques for deriving group and block synchronisation information. One possible method is described below. Figure C.1 shows a block diagram of a shift-register arrangement for deriving group and block synchronisation information from the received data stream. It may be seen to comprise five main elements:

- a) a 26-bit shift-register which may act either as a straight 26-bit delay (A/B input selector high) or as a recirculating shift-register (A/B input selector low);
- b) a polynomial division circuit comprising a 10-bit shift-register with feedback taps appropriate to the generator polynomial, $g(x)$, described in 5.3 and Annex B;
- c) a combinational logic circuit with five outputs indicating the presence of the "correct" syndromes resulting from the five offset words A, B, C, C' and D;
- d) a fast-running clock operating with a frequency of at least 33,5 kHz;
- e) a modulo-28 counter with endstops, decoding for states 0, 1 and 27, and associated logic gates 1 to 3 and flip-flops 1 to 3 (FF1 to FF3).



IEC

^a The circuit of this register is represented in Figure B.2.

Figure C.1 – Group and block synchronisation detection circuit

Assume that the modulo-28 counter is initially on its top endstop (state 27). Then FF2 and FF3 are set and FF1 is reset. The gated clocks to the 26-bit shift-register and the polynomial division circuit (gated clocks 1 and 2) are inhibited and the division circuit shift-register is cleared.

On the next data clock pulse FF1 is set, which in turn resets the modulo-28 counter to state 0. This resets FF3 which enables the fast clock (gated clock 1) to the 26-bit shift-register. This has its input A selected and thus the new data bit is entered into its left-hand end. The shift-register of the polynomial division circuit remains cleared and not clocked. On the next fast clock-pulse FF1 is reset ready for the next data clock-pulse.

Before then, however, the fast clock circulates the 26 bit at that time stored in the shift-register around, and thus passes them serially into the polynomial division shift-register where the syndrome (i.e. the remainder of the polynomial division) is calculated. If these 26 bit happened to be a valid code-word then the syndrome would be $x^{10}d(x)$ modulo $g(x)$. For example if the offset word is $d(x) = 0011111100$, then the corresponding "correct" syndrome for that block would be 0101111111.

It should be noted that the syndromes obtained with this polynomial division register are different from that resulting from the matrix of Figure B.3 or the circuit of Figure B.4. The syndromes corresponding to offset words A to D are shown in Table C.1.

Table C.1 – Offset word syndromes for group and block synchronisation

Offset	Offset word $d_9, d_8, d_7, \dots, d_0$	Syndrome $S_9, S_8, S_7, \dots, S_0$
A	0011111100	0101111111
B	0110011000	000001110
C	0101101000	010010111
C'	1101010000	1011101100
D	0110110100	101001011

When the syndrome corresponding to one of the five offset words is found, a block synchronisation pulse is given out of the appropriate one of the five outputs of the combinational logic circuit. With high probability (99,5 %) this will only occur when the stored 26 bit are a complete error-free block.

This decoding process shall all be achieved in under one data-bit period ($\approx 842 \mu\text{s}$).

On the next data-clock pulse the whole process repeats with the new data bit in the leftmost cell of the 26-bit shift-register and all the other bits shifted along one place to the right. Thus a block synchronisation pulse will usually be derived once every 26 bit and will mark the end of each received block.

Moreover, since the circuit identifies which offset word A, B, C, C' or D was added to the block, group synchronisation is also achieved.

These group and block synchronisation pulses cannot be used directly because with this system false synchronisation pulses due to data mimicking or errors will occur. On average, (with random data) false synchronisation pulses occur once in every 1 024/5 bit or approximately six times per second. Similarly, when errors occur, block synchronisation pulses will be missed, because even with correct block synchronisation, one of the "correct" syndromes corresponding to one of the five offset words will not match.

Thus, it is necessary to have some sort of block synchronisation flywheel to eliminate spurious synchronisation pulses and fill in the missing ones. This could be achieved with any one of the standard strategies, but should take into account the fixed cyclic rhythm of occurrence of the offset words, i.e. A, B, C (or C'), D, A, B, etc.

Annex D (normative)

Programme identification codes and extended country codes

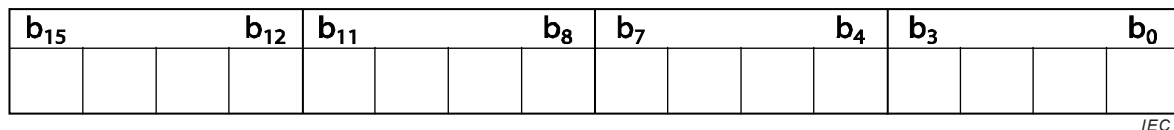
D.1 General

In previous versions of this standard, PI codes for fixed location transmitters only were defined. However, the common use of low-power short range transmitting devices is now accommodated by a specific usage of PI codes defined in Clause D.7.

NOTE Different rules apply for the USA, where the RBDS standard is used (see US NRSC-4-).

D.2 PI structure

Figure D.1 and Table D.1 show the PI code structure. For land-based transmitters code assignments for bits b_{11} to b_0 should be decided by relevant authorities in each country individually.



All codes are binary-coded hexadecimal (hex) numbers.

Figure D.1 – PI structure

Table D.1 – PI code structure

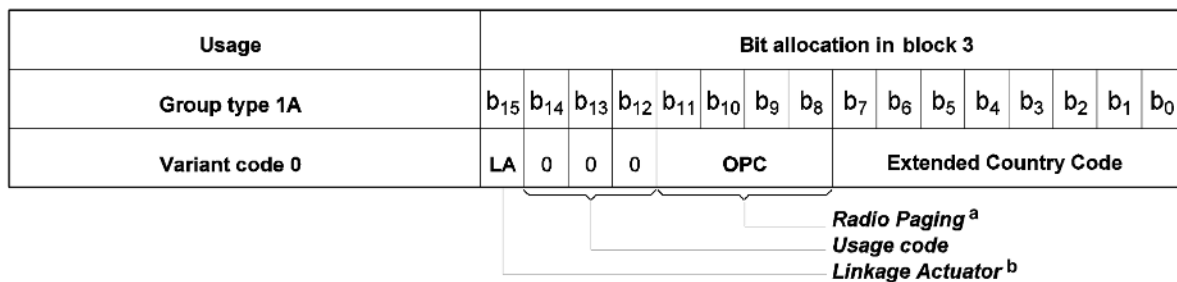
'Nibble 1'	Bits b_{15} to b_{12}	Country code Codes are indicated on the map of Figure D.3 and Table D.2. Code 0 shall not be used for country identification.
'Nibble 2'	Bits b_{11} to b_8	Programme in terms of area coverage Codes are given in Clause D.5 and Clause D.7.
'Nibbles 3 and 4'	Bits b_7 to b_0	Programme reference number Codes are given in Clause D.6 and Clause D.7.

Codes shall be assigned in such a way that automatic search tuning to other transmitters radiating the same programme can locate the same programme identification code, i.e. all 16 bits shall be identical. In cases where during a few programme hours a network is split to radiate different programmes, each of these programmes shall carry a different programme identification code, by using different coverage-area codes.

D.3 Extended country codes

Extended country codes (see Table D.2) shall be transmitted in type 1A groups to render the country code in bits b_{15} to b_{12} of the PI code unique. The Extended country code (ECC) is carried in Variant 0 of Block 3 of type 1A groups and consists of eight bit. This variant shall be transmitted at least once every minute.

The bit allocation of the extended country codes is given in Figure D.2, and the codes are given in Table D.2.



^a The operator code for radio paging using the enhanced paging protocol is defined in Annex M (see M.3.2.3 and M.3.2.5).

^b The linkage actuator is defined in the method for linking RDS programme services (see 6.2.2.8.6).

Figure D.2 – Structure of Variant 0 of Block 3 of type 1A groups (ECC)

D.4 Country codes: 'Nibble 1'

Figure D.3 shows an example of the correspondence between geographical locations and the symbols used for the various countries within the European Broadcasting Area and the PI country codes used in the European Broadcasting Area. Table D.2 gives the additional ECC codes.

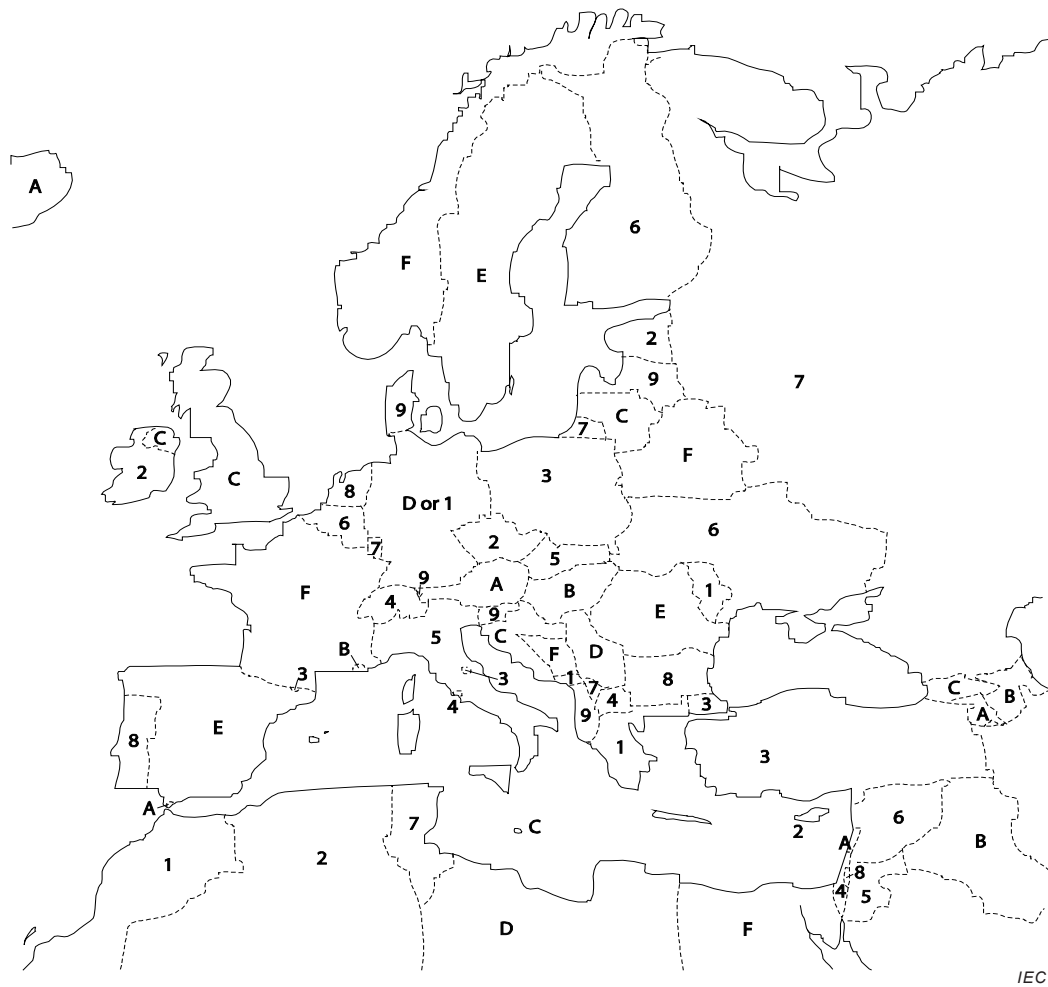


Figure D.3 – European Broadcasting Area – Correspondence between geographical locations and the symbols used

Table D.2 gives the ECC and PI country codes for the countries in the European Broadcasting Area.

The contry codes and extended country codes for countries outside the European Broadcasting Area are given in Annex N. The alpha-2 code conforms to ISO 3166 [20].

**Table D.2 – European Broadcasting Area –
Symbols used for ECC and PI country codes**

Country	ISO code	ECC and Country code		Country	ISO code	ECC and Country code	
Albania	AL	E0	9	Italy	IT	E0	5
				Jordan	JO	E1	5
Algeria	DZ	E0	2	Kosovo	–	E4	7
				Latvia	LV	E3	9
				Lebanon	LB	E3	A
Andorra	AD	E0	3	Libya	LY	E1	D
Armenia	AM	E4	A				
Austria	AT	E0	A	Liechtenstein	LI	E2	9
Azerbaijan	AZ	E3	B				
Azores (Portugal)	PT	E4	8	Lithuania	LT	E2	C
Belgium	BE	E0	6	Luxembourg	LU	E1	7
				Macedonia	MK	E3	4
				Madeira (Portugal)	PT	E4	8
Belarus	BY	E3	F	Malta	MT	E0	C
Bosnia Herzegovina	BA	E4	F	Moldova	MD	E4	1
Bulgaria	BG	E1	8	Monaco	MC	E2	B
Canaries (Spain)	ES	E2	E	Montenegro	ME	E3	1
				Morocco	MA	E2	1
Croatia	HR	E3	C				
Cyprus	CY	E1	2	Netherlands	NL	E3	8
Czech Republic	CZ	E2	2	Norway	NO	E2	F
				Palestine	PS	E0	8
				Poland	PL	E2	3
Denmark	DK	E1	9	Portugal	PT	E4	8
Egypt	EG	E0	F	Romania	RO	E1	E
Estonia	EE	E4	2	Russian Federation	RU	E0	7
Faroe (Denmark)	DK	E1	9	San Marino	SM	E1	3
Finland	FI	E1	6	Serbia	RS	E2	D
France	FR	E1	F	Slovakia	SK	E2	5
Georgia	GE	E4	C	Slovenia	SI	E4	9
Germany	DE	E0	D	Spain	ES	E2	E
	or	E0	1	Sweden	SE	E3	E
Gibraltar (United Kingdom)	GI	E1	A	Switzerland	CH	E1	4
Greece	GR	E1	1	Syrian Arab Republic	SY	E2	6
Hungary	HU	E0	B	Tunisia	TN	E2	7
Iceland	IS	E2	A	Turkey	TR	E3	3
Iraq	IQ	E1	B	Ukraine	UA	E4	6
Ireland	IE	E3	2	United Kingdom	GB	E1	C
Israel	IL	E0	4	Vatican City State	VA	E2	4

ECC	1	2	3	4	5	6	7	8	9	A	B	C	D	E	F
E 0	DE	DZ	AD	IL	IT	BE	RU	PS	AL	AT	HU	MT	DE		EG
E 1	GR	CY	SM	CH	JO	FI	LU	BG	DK	GI	IQ	GB	LY	RO	FR
E 2	MA	CZ	PL	VA	SK	SY	TN		LI	IS	MC	LT	RS	ES	NO
E 3	ME	IE	TR	MK				NL	LV	LB	AZ	HR	KZ	SE	BY
E 4	MD	EE	KG			UA	-	PT	SI	AM		GE			BA

Hex code for Variant 0 in Block 3 of group type 1A, bits b₃ to b₀
 Hex code for Variant 0 in Block 3 of group type 1A, bits b₇ to b₄

D.5 Programme in terms of area coverage (codes for fixed location transmitters only): ‘Nibble 2’

Bits b₁₁ to b₈:

- I: (International) The same programme is also transmitted in other countries.
- N: (National) The same programme is transmitted throughout the country.
- S: (Supra-regional) The same programme is transmitted throughout a large part of the country.
- R1 . . . R12: (Regional) The programme is available only in one location or region over one or more frequencies, and there exists no definition of its frontiers.
- L: (Local) Local programme transmitted via a single transmitter only during the whole transmitting time.

Hex-coding of ‘Nibble 2’ for bits b₁₁ to b₈ is shown in Table D.3.

Table D.3 – Area coverage codes

Area coverage code	L	I	N	S	R1	R2	R3	R4	R5	R6	R7	R8	R9	R10	R11	R12
HEX	0	1	2	3	4	5	6	7	8	9	A	B	C	D	E	F

D.6 Programme reference number: ‘Nibbles 3 and 4’

Coding of ‘Nibbles 3 and 4’ is shown in Table D.4.

Table D.4 – Programme reference number codes

Bits b7 to b0:		
Decimal numbers	Hex	
0	00	Not used by fixed location transmitters. This code value is exclusively for use by low-power short range transmitting devices.
1 to 255	01 to FF	Used for fixed location transmitters exclusively: In order to clearly identify the different programme families, these codes should, in each country, be systematically assigned and generically linked to the programme families.

D.7 PI codes for low-power short range transmitting devices

Low-power short range transmitting devices with RDS features should only transmit PI codes, structured as explained in Table D.5.

Table D.5 – PI codes for short range transmitting devices

Bits b_{15} to b_{12}	'Nibble 1'	Country code: A fixed (hex)value between 1 and F inclusive, i.e. any value except 0
Bits b_{11} to b_8	'Nibble 2'	Programme in terms of area coverage: 1 (hex) when device uses an AF list or 0 (hex) when no AF list is used
Bits b_7 to b_0	'Nibbles 3 and 4'	(Programme) Reference number: 00 (hex)

Annex E (normative)

Basic and extended RDS character sets

Two alphanumeric character sets are defined. They are reproduced in Table E.1, and Table E.3. The character coding of Table E.3 complies fully with ISO/IEC 10646, but for Table E.1 this is only true for the first 125 characters. The characters 126 to 255 were once mapped (by the European Broadcasting Union (EBU/UER)), prior to ISO/IEC 10646, to accommodate the most frequently used symbols in the Western part of Europe.

Table E.2 is another presentation of the basic RDS character set shown in Table E.1. In addition, it gives the mapped non-transmitted UCS-2 code equivalents and the ISO/IEC 10646 symbol name.

NOTE In previous versions of this standard, three character code tables were defined. However, during the first 20 years of the life-time of the RDS standard, only the first (default) character table was used. The switching mechanism, defined for using the other two character sets, was never implemented by broadcasters and in RDS receivers. Therefore, in this version the former Figures E.2 and E.3 have been deleted, as their late implementation would have created an incompatibility with several hundred million of existing RDS receivers.

Table E.1 contains the basic character set, which shall be used for programme service name (PS), programme type name (PTYN), RadioText (RT) and alphanumeric radio paging (RP).

Table E.2 contains the basic transmitted RDS character set (see Table E.1) mapped to non-transmitted UCS-2 equivalents to assist symbol identification.

Table E.3 contains the extended character set, which shall only be used with enhanced RadioText (eRT), see Annex Q.

Table E.1 – Basic RDS character set

				b7	0	0	0	0	0	0	1	1	1	1	1	1	1	1
				b6	0	0	1	1	1	1	0	0	0	0	1	1	1	1
				b5	1	1	0	0	1	1	0	0	1	1	0	0	1	1
				b4	0	1	0	1	0	1	0	1	0	1	0	1	0	1
b3	b2	b1	b0		2	3	4	5	6	7	8	9	A	B	C	D	E	F
0	0	0	0	0	SPACE	0	@	P		p	á	â	ª	º	Á	Â	Ã	ä
0	0	0	1	1	!	1	A	Q	a	q	à	ä	α	'	À	Ä	À	â
0	0	1	0	2	"	2	B	R	b	r	é	ê	©	ˆ	É	Ê	Æ	æ
0	0	1	1	3	#	3	C	S	c	s	è	ë	‰	˚	È	Ë	Œ	œ
0	1	0	0	4	¤	4	D	T	d	t	í	î	€	±	Í	Î	ÿ	ÿ
0	1	0	1	5	%	5	E	U	e	u	ì	ï	€	ì	Ì	Ï	Ý	ý
0	1	1	0	6	&	6	F	V	f	v	ó	ô	ñ	ñ	Ó	Ô	Õ	õ
0	1	1	1	7	'	7	G	W	g	w	ò	ö	ó	ű	Ò	Ö	Ø	ø
1	0	0	0	8	(8	H	X	h	x	ú	û	π	μ	Ú	Û	þ	þ
1	0	0	1	9)	9	I	Y	i	y	ù	ü	€	ı	Ù	Ü	Ɔ	Ɔ
1	0	1	0	A	*	:	J	Z	j	z	Ñ	ñ	£	÷	Ř	ř	Ŕ	ř
1	0	1	1	B	+	;	K	[k	{	Ç	ç	\$	°	Č	č	Ć	ć
1	1	0	0	C	,	<	L	\	l		Ş	ş	←	¼	Š	š	Ś	ś
1	1	0	1	D	-	=	M]	m	}	ß	ğ	↑	½	Ž	ž	Ż	ż
1	1	1	0	E	.	>	N	—	n	—	ı	ı	→	¾	Đ	đ	Ʀ	Ʀ
1	1	1	1	F	/	?	O	_	o		ı	ı	↓	§	Ł	ł	đ	đ

For example, the PS name 'Radio 21' could be transmitted in group type 0 A/B as follows, using the codes of Table E.1:

Characters:	Ra	di	o	21
PS segment address:	0	1	2	3

PS segment address	Character codes	Characters	Effect
0	5/2, 6/1	R, a	First two letters
1	6/4, 6/9	d, i	Second two letters
2	6/F, 2/0	o, space	Third two letters
3	3/2, 3/1	2, 1	Last two letters

Table E.2 – Non-transmitted UCS-2 equivalents (1 of 7)

No.	RDS code	Symbol	UCS-2 equivalent / Name
0	0x00		0x0000 NOT ASSIGNED
1	0x01		0x0001 NOT ASSIGNED
2	0x02		0x0002 NOT ASSIGNED
3	0x03		0x0003 NOT ASSIGNED
4	0x04		0x0004 NOT ASSIGNED
5	0x05		0x0005 NOT ASSIGNED
6	0x06		0x0006 NOT ASSIGNED
7	0x07		0x0007 NOT ASSIGNED
8	0x08		0x0008 NOT ASSIGNED
9	0x09		0x0009 NOT ASSIGNED
10	0x0A		0x000A LINE FEED
11	0x0B		0x000B END OF HEADLINE
12	0x0C		0x000C NOT ASSIGNED
13	0x0D		0x000D CARRIAGE RETURN
14	0x0E		0x000E NOT ASSIGNED
15	0x0F		0x000F NOT ASSIGNED
16	0x10		0x0010 NOT ASSIGNED
17	0x11		0x0011 NOT ASSIGNED
18	0x12		0x0012 NOT ASSIGNED
19	0x13		0x0013 NOT ASSIGNED
20	0x14		0x0014 NOT ASSIGNED
21	0x15		0x0015 NOT ASSIGNED
22	0x16		0x0016 NOT ASSIGNED
23	0x17		0x0017 NOT ASSIGNED
24	0x18		0x0018 NOT ASSIGNED
25	0x19		0x0019 NOT ASSIGNED
26	0x1A		0x001A NOT ASSIGNED
27	0x1B		0x001B NOT ASSIGNED
28	0x1C		0x001C NOT ASSIGNED
29	0x1D		0x001D NOT ASSIGNED
30	0x1E		0x001E NOT ASSIGNED
31	0x1F		0x001F WORD BREAK - SOFT HIPHEN
32	0x20		0x0020 SPACE
33	0x21	!	0x0021 EXCLAMATION MARK

Table E.2 (2 of 7)

No.	RDS code	Symbol	UCS-2 equivalent / Name
34	0x22	"	0x0022 QUOTATION MARK
35	0x23	#	0x0023 NUMBER SIGN
36	0x24	¤	0x00A4 CURRENCY SIGN
37	0x25	%	0x0025 PERCENT SIGN
38	0x26	&	0x0026 AMPERSAND
39	0x27	'	0x0027 APOSTROPHE
40	0x28	(0x0028 LEFT PARENTHESIS
41	0x29)	0x0029 RIGHT PARENTHESIS
42	0x2A	*	0x002A ASTERISK
43	0x2B	+	0x002B PLUS SIGN
44	0x2C	,	0x002C COMMA
45	0x2D	-	0x002D HYPHEN-MINUS
46	0x2E	.	0x002E FULL STOP
47	0x2F	/	0x002F SOLIDUS
48	0x30	0	0x0030 DIGIT ZERO
49	0x31	1	0x0031 DIGIT ONE
50	0x32	2	0x0032 DIGIT TWO
51	0x33	3	0x0033 DIGIT THREE
52	0x34	4	0x0034 DIGIT FOUR
53	0x35	5	0x0035 DIGIT FIVE
54	0x36	6	0x0036 DIGIT SIX
55	0x37	7	0x0037 DIGIT SEVEN
56	0x38	8	0x0038 DIGIT EIGHT
57	0x39	9	0x0039 DIGIT NINE
58	0x3A	:	0x003A COLON
59	0x3B	;	0x003B SEMICOLON
60	0x3C	<	0x003C LESS-THAN SIGN
61	0x3D	=	0x003D EQUALS SIGN
62	0x3E	>	0x003E GREATER-THAN SIGN
63	0x3F	?	0x003F QUESTION MARK
64	0x40	@	0x0040 COMMERCIAL AT
65	0x41	A	0x0041 LATIN CAPITAL LETTER A
66	0x42	B	0x0042 LATIN CAPITAL LETTER B
67	0x43	C	0x0043 LATIN CAPITAL LETTER C
68	0x44	D	0x0044 LATIN CAPITAL LETTER D
69	0x45	E	0x0045 LATIN CAPITAL LETTER E
70	0x46	F	0x0046 LATIN CAPITAL LETTER F
71	0x47	G	0x0047 LATIN CAPITAL LETTER G
72	0x48	H	0x0048 LATIN CAPITAL LETTER H
73	0x49	I	0x0049 LATIN CAPITAL LETTER I
74	0x4A	J	0x004A LATIN CAPITAL LETTER J

Table E.2 (3 of 7)

No.	RDS code	Symbol	UCS-2 equivalent / Name
75	0x4B	K	0x004B LATIN CAPITAL LETTER K
76	0x4C	L	0x004C LATIN CAPITAL LETTER L
77	0x4D	M	0x004D LATIN CAPITAL LETTER M
78	0x4E	N	0x004E LATIN CAPITAL LETTER N
79	0x4F	O	0x004F LATIN CAPITAL LETTER O
80	0x50	P	0x0050 LATIN CAPITAL LETTER P
81	0x51	Q	0x0051 LATIN CAPITAL LETTER Q
82	0x52	R	0x0052 LATIN CAPITAL LETTER R
83	0x53	S	0x0053 LATIN CAPITAL LETTER S
84	0x54	T	0x0054 LATIN CAPITAL LETTER T
85	0x55	U	0x0055 LATIN CAPITAL LETTER U
86	0x56	V	0x0056 LATIN CAPITAL LETTER V
87	0x57	W	0x0057 LATIN CAPITAL LETTER W
88	0x58	X	0x0058 LATIN CAPITAL LETTER X
89	0x59	Y	0x0059 LATIN CAPITAL LETTER Y
90	0x5A	Z	0x005A LATIN CAPITAL LETTER Z
91	0x5B	[0x005B LEFT SQUARE BRACKET
92	0x5C	\	0x005C REVERSE SOLIDUS
93	0x5D]	0x005D RIGHT SQUARE BRACKET
94	0x5E	—	0x2015 HORIZONTAL BAR
95	0x5F	_	0x005F LOW LINE
96	0x60		0x2016 DOUBLE VERTICAL LINE
97	0x61	a	0x0061 LATIN SMALL LETTER A
98	0x62	b	0x0062 LATIN SMALL LETTER B
99	0x63	c	0x0063 LATIN SMALL LETTER C
100	0x64	d	0x0064 LATIN SMALL LETTER D
101	0x65	e	0x0065 LATIN SMALL LETTER E
102	0x66	f	0x0066 LATIN SMALL LETTER F
103	0x67	g	0x0067 LATIN SMALL LETTER G
104	0x68	h	0x0068 LATIN SMALL LETTER H
105	0x69	i	0x0069 LATIN SMALL LETTER I
106	0x6A	j	0x006A LATIN SMALL LETTER J
107	0x6B	k	0x006B LATIN SMALL LETTER K
108	0x6C	l	0x006C LATIN SMALL LETTER L
109	0x6D	m	0x006D LATIN SMALL LETTER M
110	0x6E	n	0x006E LATIN SMALL LETTER N
111	0x6F	o	0x006F LATIN SMALL LETTER O
112	0x70	p	0x0070 LATIN SMALL LETTER P
113	0x71	q	0x0071 LATIN SMALL LETTER Q
114	0x72	r	0x0072 LATIN SMALL LETTER R
115	0x73	s	0x0073 LATIN SMALL LETTER S

Table E.2 (4 of 7)

No.	RDS code	Symbol	UCS-2 equivalent / Name
116	0x74	t	0x0074 LATIN SMALL LETTER T
117	0x75	u	0x0075 LATIN SMALL LETTER U
118	0x76	v	0x0076 LATIN SMALL LETTER V
119	0x77	w	0x0077 LATIN SMALL LETTER W
120	0x78	x	0x0078 LATIN SMALL LETTER X
121	0x79	y	0x0079 LATIN SMALL LETTER Y
122	0x7A	z	0x007A LATIN SMALL LETTER Z
123	0x7B	{	0x007B LEFT CURLY BRACKET
124	0x7C		0x007C VERTICAL LINE
125	0x7D	}	0x007D RIGHT CURLY BRACKET
126	0x7E	–	0x203E OVERLINE
127	0x7F		0x007F NOT ASSIGNED
128	0x80	á	0x00E1 LATIN SMALL LETTER A WITH ACUTE
129	0x81	à	0x00E0 LATIN SMALL LETTER A WITH GRAVE
130	0x82	é	0x00E9 LATIN SMALL LETTER E WITH ACUTE
131	0x83	è	0x00E8 LATIN SMALL LETTER E WITH GRAVE
132	0x84	í	0x00ED LATIN SMALL LETTER I WITH ACUTE
133	0x85	ì	0x00EC LATIN SMALL LETTER I WITH GRAVE
134	0x86	ó	0x00F3 LATIN SMALL LETTER O WITH ACUTE
135	0x87	ò	0x00F2 LATIN SMALL LETTER O WITH GRAVE
136	0x88	ú	0x00FA LATIN SMALL LETTER U WITH ACUTE
137	0x89	ù	0x00F9 LATIN SMALL LETTER U WITH GRAVE
138	0x8A	Ñ	0x00D1 LATIN CAPITAL LETTER N WITH TILDE
139	0x8B	Ç	0x00C7 LATIN CAPITAL LETTER C WITH CEDILLA
140	0x8C	Ş	0x015E LATIN CAPITAL LETTER S WITH CEDILLA
141	0x8D	ß	0x00DF LATIN SMALL LETTER SHARP S (German)
142	0x8E	¡	0x00A1 INVERTED EXCLAMATION MARK
143	0x8F	IJ	0x0132 LATIN CAPITAL LIGATURE IJ
144	0x90	â	0x00E2 LATIN SMALL LETTER A WITH CIRCUMFLEX
145	0x91	ä	0x00E4 LATIN SMALL LETTER A WITH DIAERESIS
146	0x92	ê	0x00EA LATIN SMALL LETTER E WITH CIRCUMFLEX
147	0x93	ë	0x00EB LATIN SMALL LETTER E WITH DIAERESIS
148	0x94	î	0x00EE LATIN SMALL LETTER I WITH CIRCUMFLEX
149	0x95	ï	0x00EF LATIN SMALL LETTER I WITH DIAERESIS
150	0x96	ô	0x00F4 LATIN SMALL LETTER O WITH CIRCUMFLEX
151	0x97	ö	0x00F6 LATIN SMALL LETTER O WITH DIAERESIS
152	0x98	û	0x00FB LATIN SMALL LETTER U WITH CIRCUMFLEX
153	0x99	ü	0x00FC LATIN SMALL LETTER U WITH DIAERESIS
154	0x9A	ñ	0x00F1 LATIN SMALL LETTER N WITH TILDE
155	0x9B	ç	0x00E7 LATIN SMALL LETTER C WITH CEDILLA
156	0x9C	ş	0x015F LATIN SMALL LETTER S WITH CEDILLA

Table E.2 (5 of 7)

No.	RDS code	Symbol	UCS-2 equivalent / Name
157	0x9D	ġ	0x011F LATIN SMALL LETTER G WITH BREVE
158	0x9E	ı	0x0131 LATIN SMALL LETTER DOTLESS I
159	0x9F	ij	0x0133 LATIN SMALL LIGATURE IJ
160	0xA0	ª	0x00AA FEMININE ORDINAL INDICATOR
161	0xA1	α	0x03B1 GREEK SMALL LETTER ALPHA
162	0xA2	©	0x00A9 COPYRIGHT SIGN
163	0xA3	‰	0x2030 PER THOUSAND SIGN
164	0xA4	Ĝ	0x011E LATIN CAPITAL LETTER G WITH BREVE
165	0xA5	ë	0x011B LATIN SMALL LETTER WITH CARON
166	0xA6	ň	0x0148 LATIN SMALL LETTER N WITH CARON
167	0xA7	ö	0x0151 LATIN SMALL LETTER O WITH DOUBLE ACUTE
168	0xA8	π	0x03C0 GREEK SMALL LETTER PI
169	0xA9	€	0x20AC EURO SIGN
170	0xAA	£	0x00A3 POUND SIGN
171	0xAB	\$	0x0024 DOLLAR SIGN
172	0xAC	←	0x2190 LEFTWARDS ARROW
173	0xAD	↑	0x2191 UPWARDS ARROW
174	0xAE	→	0x2192 RIGHTWARDS ARROW
175	0xAF	↓	0x2193 DOWNWARDS ARROW
176	0xB0	º	0x00BA MASCULIN ORDINAL INDICATOR
177	0xB1	¹	0x00B9 SUPERSCRIPT ONE
178	0xB2	²	0x00B2 SUPERSCRIPT TWO
179	0xB3	³	0x00B3 SUPERSCRIPT THREE
180	0xB4	±	0x00B1 PLUS-MINUS SIGN
181	0xB5	İ	0x0130 LATIN CAPITAL LETTER I WITH DOT ABOVE
182	0xB6	ñ	0x0144 LATIN SMALL LETTER N WITH ACUTE
183	0xB7	Û	0x0171 LATIN SMALL LETTER U WITH DOUBLE ACUTE
184	0xB8	μ	0x00B5 MIKRO SIGN
185	0xB9	¿	0x00BF INVERTED QUESTION MARK
186	0xBA	÷	0x00F7 DIVISION SIGN
187	0xBB	°	0x00B0 DEGREE SIGN
188	0xBC	¼	0x00BC VULGAR FRACTION ONE QUARTER
189	0xBD	½	0x00BD VULGAR FRACTION ONE HALF
190	0xBE	¾	0x00BE VULGAR FRACTION THREE QUARTERS
191	0xBF	§	0x00A7 SECTION SIGN
192	0xC0	Á	0x00C1 LATIN CAPITAL LETTER A WITH ACUTE
193	0xC1	À	0x00C0 LATIN CAPITAL LETTER A WITH GRAVE
194	0xC2	É	0x00C9 LATIN CAPITAL LETTER E WITH ACUTE
195	0xC3	È	0x00C8 LATIN CAPITAL LETTER E WITH GRAVE
196	0xC4	Í	0x00CD LATIN CAPITAL LETTER I WITH ACUTE
197	0xC5	Ì	0x00CC LATIN CAPITAL LETTER I WITH GRAVE
198	0xC6	Ó	0x00D3 LATIN CAPITAL LETTER O WITH ACUTE

Table E.2 (6 of 7)

No.	RDS code	Symbol	UCS-2 equivalent / Name
199	0xC7	Ò	0x00D2 LATIN CAPITAL LETTER O WITH GRAVE
200	0xC8	Ú	0x00DA LATIN CAPITAL LETTER U WITH ACUTE
201	0xC9	Û	0x00D9 LATIN CAPITAL LETTER U WITH GRAVE
202	0xCA	Ř	0x0158 LATIN CAPITAL LETTER R WITH CARON
203	0xCB	Č	0x010C LATIN CAPITAL LETTER C WITH CARON
204	0xCC	Š	0x0160 LATIN CAPITAL LETTER S WITH CARON
205	0xCD	Ž	0x017D LATIN CAPITAL LETTER Z WITH CARON
206	0xCE	Ð	0x00D0 LATIN CAPITAL LETTER ETH
207	0xCF	Ł	0x013F LATIN CAPITAL LETTER L WITH MIDDLE DOT
208	0xD0	Â	0x00C2 LATIN CAPITAL LETTER A WITH CIRCUMFLEX
209	0xD1	Ä	0x00C4 LATIN CAPITAL LETTER A WITH DIAERESIS
210	0xD2	Ê	0x00CA LATIN CAPITAL LETTER E WITH CIRCUMFLEX
211	0xD3	Ë	0x00CB LATIN CAPITAL LETTER A WITH DIAERESIS
212	0xD4	Î	0x00CE LATIN CAPITAL LETTER I WITH CIRCUMFLEX
213	0xD5	Ï	0x00CF LATIN CAPITAL LETTER I WITH DIAERESIS
214	0xD6	Ï	0x00D4 LATIN CAPITAL LETTER O WITH CIRCUMFLEX
215	0xD7	Ö	0x00D6 LATIN CAPITAL LETTER O WITH DIAERESIS
216	0xD8	Û	0x00DB LATIN CAPITAL LETTER U WITH CIRCUMFLEX
217	0xD9	Ü	0x00DC LATIN CAPITAL LETTER U WITH DIAERESIS
218	0xDA	ř	0x0159 LATIN SMALL LETTER R WITH CARON
219	0xDB	č	0x010D LATIN SMALL LETTER C WITH CARON
220	0xDC	š	0x0161 LATIN SMALL LETTER S WITH CARON
221	0xDD	ž	0x017E LATIN SMALL LETTER Z WITH CARON
222	0xDE	đ	0x0111 LATIN SMALL LETTER D WITH STROKE
223	0xDF	ł	0x0140 LATIN SMALL LETTER L WITH MIDDLE DOT
224	0xE0	Ã	0x00C3 LATIN CAPITAL LETTER A WITH TILDE
225	0xE1	Å	0x00C5 LATIN CAPITAL LETTER A WITH RING ABOVE
226	0xE2	Æ	0x00C6 LATIN CAPITAL LETTER AE
227	0xE3	Œ	0x0152 LATIN CAPITAL LIGATURE OE
228	0xE4	ÿ	0x0177 LATIN SMALL LETTER Y WITH CIRCUMFLEX
229	0xE5	Ý	0x00DD LATIN CAPITAL LETTER Y WITH ACUTE
230	0xE6	Õ	0x00D5 LATIN CAPITAL LETTER O WITH TILDE
231	0xE7	Ø	0x00D8 LATIN CAPITAL LETTER O WITH STROKE
232	0xE8	Þ	0x00DE LATIN CAPITAL LETTER THORN
233	0xE9	Ɔ	0x014A LATIN CAPITAL LETTER ENG
234	0xEA	Ř	0x0154 LATIN CAPITAL LETTER R WITH ACUTE
235	0xEB	Č	0x0106 LATIN SMALL LETTER C WITH ACUTE
236	0xEC	Š	0x015A LATIN CAPITAL LETTER S WITH ACUTE
237	0xED	Ž	0x0179 LATIN CAPITAL LETTER Z WITH ACUTE
238	0xEE	Ʀ	0x0166 LATIN CAPITAL LETTER T WITH STROKE
239	0xEF	ð	0x00F0 LATIN SMALL LETTER ETH
240	0xF0	ã	0x00E3 LATIN SMALL LETTER A WITH TILDE

Table E.2 (7 of 7)

No.	RDS code	Symbol	UCS-2 equivalent / Name
241	0xF1	à	0x00E5 LATIN SMALL LETTER A WITH RING
242	0xF2	æ	0x00E6 LATIN SMALL LETTER AE
243	0xF3	œ	0x0153 LATIN SMALL LETTER OE
244	0xF4	ŵ	0x0175 LATIN SMALL LETTER W WITH CIRCUMFLEX
245	0xF5	ý	0x00FD LATIN SMALL LETTER Y WITH ACUTE
246	0xF6	ö	0x00F5 LATIN SMALL LETTER O WITH TILDE
247	0xF7	ø	0x00F8 LATIN SMALL LETTER O WITH STROKE
248	0xF8	þ	0x00FE LATIN SMALL LETTER THORN
249	0xF9	ŋ	0x014B LATIN SMALL LETTER ENG
250	0xFA	ř	0x0155 LATIN SMALL LETTER R WITH ACUTE
251	0xFB	ć	0x0107 LATIN SMALL LETTER C WITH ACUTE
252	0xFC	ś	0x015B LATIN SMALL LETTER S WITH ACUTE
253	0xFD	ź	0x017A LATIN SMALL LETTER Z WITH ACUTE
254	0xFE	ţ	0x0167 LATIN SMALL LETTER T WITH STROKE
255	0xFF		NOT ASSIGNED

Table E.3 – Extended RDS character set, for eRT only (1 of 13)

Note that in Table E.3 bold signifies that the symbol is already part of the character set in Table E.1 and/or Table E.2.

No.	2-byte/ UCS-2 code	Symbol	Name
1	0x000A		LINE FEED = CONTROL CHARACTER
2	0x000B		END OF HEADLINE = CONTROL CHARACTER
3	0x000D		CARRIAGE RETURN = CONTROL CHARACTER
4	0x001F		WORD BREAK - SOFT HIPHEN = CONTROL CHARACTER
5	0x0020		SPACE
6	0x0021	!	EXCLAMATION MARK
7	0x0022	"	QUOTATION MARK
8	0x0023	#	NUMBER SIGN
9	0x0024	\$	DOLLAR SIGN
10	0x0025	%	PERCENT SIGN
11	0x0026	&	AMPERSAND
12	0x0027	'	APOSTROPHE
13	0x0028	(LEFT PARENTHESIS
14	0x0029)	RIGHT PARENTHESIS
15	0x002A	*	ASTERISK
16	0x002B	+	PLUS SIGN
17	0x002C	,	COMMA
18	0x002D	-	HYPHEN-MINUS
19	0x002E	.	FULL STOP
20	0x002F	/	SOLIDUS
21	0x0030	0	DIGIT ZERO
22	0x0031	1	DIGIT ONE
23	0x0032	2	DIGIT TWO
24	0x0033	3	DIGIT THREE

Table E.3 (2 of 13)

No.	2-byte/UCS-2 code	Symbol	Name
25	0x0034	4	DIGIT FOUR
26	0x0035	5	DIGIT FIVE
27	0x0036	6	DIGIT SIX
28	0x0037	7	DIGIT SEVEN
29	0x0038	8	DIGIT EIGHT
30	0x0039	9	DIGIT NINE
31	0x003A	:	COLON
32	0x003B	;	SEMICOLON
33	0x003C	<	LESS-THAN SIGN
34	0x003D	=	EQUALS SIGN
35	0x003E	>	GREATER-THAN SIGN
36	0x003F	?	QUESTION MARK
37	0x0040	@	COMMERCIAL AT
38	0x0041	A	LATIN CAPITAL LETTER A
39	0x0042	B	LATIN CAPITAL LETTER B
40	0x0043	C	LATIN CAPITAL LETTER C
41	0x0044	D	LATIN CAPITAL LETTER D
42	0x0045	E	LATIN CAPITAL LETTER E
43	0x0046	F	LATIN CAPITAL LETTER F
44	0x0047	G	LATIN CAPITAL LETTER G
45	0x0048	H	LATIN CAPITAL LETTER H
46	0x0049	I	LATIN CAPITAL LETTER I
47	0x004A	J	LATIN CAPITAL LETTER J
48	0x004B	K	LATIN CAPITAL LETTER K
49	0x004C	L	LATIN CAPITAL LETTER L
50	0x004D	M	LATIN CAPITAL LETTER M
51	0x004E	N	LATIN CAPITAL LETTER N
52	0x004F	O	LATIN CAPITAL LETTER O
53	0x0050	P	LATIN CAPITAL LETTER P
54	0x0051	Q	LATIN CAPITAL LETTER Q
55	0x0052	R	LATIN CAPITAL LETTER R
56	0x0053	S	LATIN CAPITAL LETTER S
57	0x0054	T	LATIN CAPITAL LETTER T
58	0x0055	U	LATIN CAPITAL LETTER U
59	0x0056	V	LATIN CAPITAL LETTER V
60	0x0057	W	LATIN CAPITAL LETTER W
61	0x0058	X	LATIN CAPITAL LETTER X
62	0x0059	Y	LATIN CAPITAL LETTER Y
63	0x005A	Z	LATIN CAPITAL LETTER Z
64	0x005B	[LEFT SQUARE BRACKET
65	0x005C	\	REVERSE SOLIDUS
66	0x005D]	RIGHT SQUARE BRACKET
67	0x005F	—	LOW LINE
68	0x0061	a	LATIN SMALL LETTER A
69	0x0062	b	LATIN SMALL LETTER B
70	0x0063	c	LATIN SMALL LETTER C
71	0x0064	d	LATIN SMALL LETTER D

Table E.3 (3 of 13)

No.	2-byte/UCS-2 code	Symbol	Name
72	0x0065	E	LATIN SMALL LETTER E
73	0x0066	f	LATIN SMALL LETTER F
74	0x0067	g	LATIN SMALL LETTER G
75	0x0068	h	LATIN SMALL LETTER H
76	0x0069	i	LATIN SMALL LETTER I
77	0x006A	j	LATIN SMALL LETTER J
78	0x006B	k	LATIN SMALL LETTER K
79	0x006C	l	LATIN SMALL LETTER L
80	0x006D	m	LATIN SMALL LETTER M
81	0x006E	n	LATIN SMALL LETTER N
82	0x006F	o	LATIN SMALL LETTER O
83	0x0070	p	LATIN SMALL LETTER P
84	0x0071	q	LATIN SMALL LETTER Q
85	0x0072	r	LATIN SMALL LETTER R
86	0x0073	s	LATIN SMALL LETTER S
87	0x0074	t	LATIN SMALL LETTER T
88	0x0075	u	LATIN SMALL LETTER U
89	0x0076	v	LATIN SMALL LETTER V
90	0x0077	w	LATIN SMALL LETTER W
91	0x0078	x	LATIN SMALL LETTER X
92	0x0079	y	LATIN SMALL LETTER Y
93	0x007A	z	LATIN SMALL LETTER Z
94	0x007B	{	LEFT CURLY BRACKET
95	0x007C		VERTICAL LINE
96	0x007D	}	RIGHT CURLY BRACKET
97	0x007E	~	TILDE
98	0x00A0		NO-BREAK SPACE
99	0x00A1	¡	INVERTED EXCLAMATION MARK
100	0x00A2	¢	CENT SIGN
101	0x00A3	£	POUND SIGN
102	0x00A4	¤	CURRENCY SIGN
103	0x00A5	¥	YEN SIGN
104	0x00A6	¦	BROKEN BAR
105	0x00A7	§	SECTION SIGN
106	0x00A8	¨	DIAERESIS
107	0x00A9	©	COPYRIGHT SIGN
108	0x00AA	ª	FEMININE ORDINAL INDICATOR
109	0x00AB	«	LEFT-POINTING DOUBLE ANGLE QUOTATION MARK
110	0x00AC	¬	NOT SIGN
111	0x00AD		SOFT HYPHEN
112	0x00AE	®	REGISTERED SIGN
113	0x00AF	—	MACRON
114	0x00B0	°	DEGREE SIGN
115	0x00B1	±	PLUS-MINUS SIGN
116	0x00B2	²	SUPERSCRIPIT TWO
117	0x00B3	³	SUPERSCRIPIT THREE
118	0x00B4	´	ACUTE ACCENT

Table E.3 (4 of 13)

No.	2-byte/UCS-2 code	Symbol	Name
119	0x00B5	μ	MIKRO SIGN
120	0x00B6	¶	PILCROW SIGN
121	0x00B7	·	MIDDLE DOT
122	0x00B8	,	CEDILLA
123	0x00B9	¹	SUPERSCRIPIT ONE
124	0x00BA	º	MASCULIN ORDINAL INDICATOR
125	0x00BB	»	RIGHT-POINTING DOUBLE ANGLE QUOTATION MARK
126	0x00BC	¼	VULGAR FRACTION ONE QUARTER
127	0x00BD	½	VULGAR FRACTION ONE HALF
128	0x00BE	¾	VULGAR FRACTION THREE QUARTERS
129	0x00BF	¿	INVERTED QUESTION MARK
130	0x00C0	À	LATIN CAPITAL LETTER A WITH GRAVE
131	0x00C1	Á	LATIN CAPITAL LETTER A WITH ACUTE
132	0x00C2	Â	LATIN CAPITAL LETTER A WITH CIRCUMFLEX
133	0x00C3	Ã	LATIN CAPITAL LETTER A WITH TILDE
134	0x00C4	Ä	LATIN CAPITAL LETTER A WITH DIAERESIS
135	0x00C5	Å	LATIN CAPITAL LETTER A WITH RING ABOVE
136	0x00C6	Æ	LATIN CAPITAL LETTER AE = LATIN LIGATURE AE
137	0x00C7	Ç	LATIN CAPITAL LETTER C WITH CEDILLA
138	0x00C8	È	LATIN CAPITAL LETTER E WITH GRAVE
139	0x00C9	É	LATIN CAPITAL LETTER E WITH ACUTE
140	0x00CA	Ê	LATIN CAPITAL LETTER E WITH CIRCUMFLEX
141	0x00CB	Ë	LATIN CAPITAL LETTER A WITH DIAERESIS
142	0x00CC	Ì	LATIN CAPITAL LETTER I WITH GRAVE
143	0x00CD	Í	LATIN CAPITAL LETTER I WITH ACUTE
144	0x00CE	Î	LATIN CAPITAL LETTER I WITH CIRCUMFLEX
145	0x00CF	Ï	LATIN CAPITAL LETTER I WITH DIAERESIS
146	0x00D0	Ð	LATIN CAPITAL LETTER ETH
147	0x00D1	Ñ	LATIN CAPITAL LETTER N WITH TILDE
148	0x00D2	Ò	LATIN CAPITAL LETTER O WITH GRAVE
149	0x00D3	Ó	LATIN CAPITAL LETTER O WITH ACUTE
150	0x00D4	Ô	LATIN CAPITAL LETTER O WITH CIRCUMFLEX
151	0x00D5	Õ	LATIN CAPITAL LETTER O WITH TILDE
152	0x00D6	Ö	LATIN CAPITAL LETTER O WITH DIAERESIS
153	0x00D7	×	MULTIPLICATION SIGN
154	0x00D8	Ø	LATIN CAPITAL LETTER O WITH STROKE
155	0x00D9	Ù	LATIN CAPITAL LETTER U WITH GRAVE
156	0x00DA	Ú	LATIN CAPITAL LETTER U WITH ACUTE
157	0x00DB	Û	LATIN CAPITAL LETTER U WITH CIRCUMFLEX
158	0x00DC	Ü	LATIN CAPITAL LETTER U WITH DIAERESIS
159	0x00DD	Ý	LATIN CAPITAL LETTER Y WITH ACUTE
160	0x00DE	Þ	LATIN CAPITAL LETTER THORN
161	0x00DF	ß	LATIN SMALL LETTER SHARP S (German)
162	0x00E0	à	LATIN SMALL LETTER A WITH GRAVE
163	0x00E1	á	LATIN SMALL LETTER A WITH ACUTE
164	0x00E2	â	LATIN SMALL LETTER A WITH CIRCUMFLEX
165	0x00E3	ã	LATIN SMALL LETTER A WITH TILDE

Table E.3 (5 of 13)

No.	2-byte/UCS-2 code	Symbol	Name
166	0x00E4	ä	LATIN SMALL LETTER A WITH DIAERESIS
167	0x00E5	â	LATIN SMALL LETTER A WITH RING
168	0x00E6	æ	LATIN SMALL LETTER AE
169	0x00E7	ç	LATIN SMALL LETTER C WITH CEDILLA
170	0x00E8	è	LATIN SMALL LETTER E WITH GRAVE
171	0x00E9	é	LATIN SMALL LETTER E WITH ACUTE
172	0x00EA	ê	LATIN SMALL LETTER E WITH CIRCUMFLEX
173	0x00EB	ë	LATIN SMALL LETTER E WITH DIAERESIS
174	0x00EC	ì	LATIN SMALL LETTER I WITH GRAVE
175	0x00ED	í	LATIN SMALL LETTER I WITH ACUTE
176	0x00EE	î	LATIN SMALL LETTER I WITH CIRCUMFLEX
177	0x00EF	ï	LATIN SMALL LETTER I WITH DIAERESIS
178	0x00F0	ð	LATIN SMALL LETTER ETH
179	0x00F1	ñ	LATIN SMALL LETTER N WITH TILDE
180	0x00F2	ò	LATIN SMALL LETTER O WITH GRAVE
181	0x00F3	ó	LATIN SMALL LETTER O WITH ACUTE
182	0x00F4	ô	LATIN SMALL LETTER O WITH CIRCUMFLEX
183	0x00F5	õ	LATIN SMALL LETTER O WITH TILDE
184	0x00F6	ö	LATIN SMALL LETTER O WITH DIAERESIS
185	0x00F7	÷	DIVISION SIGN
186	0x00F8	ø	LATIN SMALL LETTER O WITH STROKE
187	0x00F9	ù	LATIN SMALL LETTER U WITH GRAVE
188	0x00FA	ú	LATIN SMALL LETTER U WITH ACUTE
189	0x00FB	û	LATIN SMALL LETTER U WITH CIRCUMFLEX
190	0x00FC	ü	LATIN SMALL LETTER U WITH DIAERESIS
191	0x00FD	ý	LATIN SMALL LETTER Y WITH ACUTE
192	0x00FE	þ	LATIN SMALL LETTER THORN
193	0x00FF	ÿ	LATIN SMALL LETTER Y WITH DIAERESIS
194	0x0100	Ā	LATIN CAPITAL LETTER A WITH MACRON
195	0x0101	ā	LATIN SMALL LETTER A WITH MACRON
196	0x0102	Ă	LATIN CAPITAL LETTER A WITH BREVE
197	0x0103	ă	LATIN SMALL LETTER A WITH BREVE
198	0x0104	Ą	LATIN CAPITAL LETTER A WITH OGONEK
199	0x0105	ą	LATIN SMALL LETTER A WITH OGONEK
200	0x0106	Ć	LATIN CAPITAL LETTER C WITH ACUTE
201	0x0107	ć	LATIN SMALL LETTER C WITH ACUTE
202	0x010C	Č	LATIN CAPITAL LETTER C WITH CARON
203	0x010D	č	LATIN SMALL LETTER C WITH CARON
204	0x010F	ď	LATIN SMALL LETTER D WITH CARON
205	0x0110	Ð	LATIN CAPITAL LETTER D WITH STROKE
206	0x0111	ð	LATIN SMALL LETTER D WITH STROKE
207	0x0112	Ě	LATIN CAPITAL LETTER E WITH MACRON
208	0x0113	ě	LATIN SMALL LETTER E WITH MACRON
209	0x0116	Ě	LATIN CAPITAL LETTER E WITH DOT ABOVE
210	0x0117	ě	LATIN SMALL LETTER E WITH DOT ABOVE
211	0x0118	Ę	LATIN CAPITAL LETTER E WITH OGONEK
212	0x0119	ę	LATIN SMALL LETTER E WITH OGONEK

Table E.3 (6 of 13)

No.	2-byte/UCS-2 code	Symbol	Name
213	0x011A	Ě	LATIN CAPITAL LETTER E WITH CARON
214	0x011B	ě	LATIN SMALL LETTER E WITH CARON
215	0x011E	Ĝ	LATIN CAPITAL LETTER G WITH BREVE
216	0x011F	ĝ	LATIN SMALL LETTER G WITH BREVE
217	0x0122	Ĝ	LATIN CAPITAL LETTER G WITH CEDILLA
218	0x0123	ĝ	LATIN SMALL LETTER G WITH CEDILLA
219	0x012A	Ī	LATIN CAPITAL LETTER I WITH MACRON
220	0x012B	ī	LATIN SMALL LETTER I WITH MACRON
221	0x012E	Į	LATIN CAPITAL LETTER I WITH OGONEK
222	0x012F	į	LATIN SMALL LETTER I WITH OGONEK
223	0x0130	İ	LATIN CAPITAL LETTER I WITH DOT ABOVE
224	0x0131	ı	LATIN SMALL LETTER DOTLESS I
225	0x0132	IJ	LATIN CAPITAL LIGATURE IJ
226	0x0133	ij	LATIN SMALL LIGATURE IJ
227	0x0136	Ķ	LATIN CAPITAL LETTER K WITH CEDILLA
228	0x0137	ķ	LATIN SMALL LETTER K WITH CEDILLA
229	0x0139	Ĺ	LATIN CAPITAL LETTER L WITH ACUTE
230	0x013A	ĺ	LATIN SMALL LETTER L WITH ACUTE
231	0x013B	Ļ	LATIN CAPITAL LETTER L WITH CEDILLA
232	0x013C	ļ	LATIN SMALL LETTER L WITH CEDILLA
233	0x013D	Ľ	LATIN CAPITAL LETTER L WITH CARON
234	0x013E	ľ	LATIN SMALL LETTER L WITH CARON
235	0x013F	Ł	LATIN CAPITAL LETTER L WITH MIDDLE DOT
236	0x0140	ł	LATIN SMALL LETTER L WITH MIDDLE DOT
237	0x0141	Ł	LATIN CAPITAL LETTER L WITH STROKE
238	0x0142	ł	LATIN SMALL LETTER L WITH STROKE
239	0x0143	Ń	LATIN CAPITAL LETTER N WITH ACUTE
240	0x0144	ń	LATIN SMALL LETTER N WITH ACUTE
241	0x0145	Ņ	LATIN CAPITAL LETTER N WITH CEDILLA
242	0x0146	ņ	LATIN SMALL LETTER N WITH CEDILLA
243	0x0147	Ñ	LATIN CAPITAL LETTER N WITH CARON
244	0x0148	ň	LATIN SMALL LETTER N WITH CARON
245	0x014A	Ŋ	LATIN CAPITAL LETTER ENG
246	0x014B	ŋ	LATIN SMALL LETTER ENG
247	0x014C	Ō	LATIN CAPITAL LETTER O WITH MACRON
248	0x014D	ō	LATIN SMALL LETTER O WITH MACRON
249	0x0150	Ő	LATIN CAPITAL LETTER O WITH DOUBLE ACUTE
250	0x0151	ő	LATIN SMALL LETTER O WITH DOUBLE ACUTE
251	0x0152	Œ	LATIN CAPITAL LIGATURE OE
252	0x0153	œ	LATIN SMALL LETTER OE
253	0x0154	Ŕ	LATIN CAPITAL LETTER R WITH ACUTE
254	0x0155	ŕ	LATIN SMALL LETTER R WITH ACUTE
255	0x0156	Ŗ	LATIN CAPITAL LETTER R WITH CEDILLA
256	0x0157	ŗ	LATIN SMALL LETTER R WITH CEDILLA
257	0x0158	Ř	LATIN CAPITAL LETTER R WITH CARON
258	0x0159	ř	LATIN SMALL LETTER R WITH CARON
259	0x015A	Ś	LATIN CAPITAL LETTER S WITH ACUTE

Table E.3 (7 of 13)

No.	2-byte/UCS-2 code	Symbol	Name
260	0x015B	ś	LATIN SMALL LETTER S WITH ACUTE
261	0x015E	Ş	LATIN CAPITAL LETTER S WITH CEDILLA
262	0x015F	ş	LATIN SMALL LETTER S WITH CEDILLA
263	0x0160	Š	LATIN CAPITAL LETTER S WITH CARON
264	0x0161	š	LATIN SMALL LETTER S WITH CARON
265	0x0164	Ť	LATIN CAPITAL LETTER T WITH CARON
266	0x0165	ť	LATIN SMALL LETTER T WITH CARON
267	0x0166	Ʀ	LATIN CAPITAL LETTER T WITH STROKE
268	0x0167	ƥ	LATIN SMALL LETTER T WITH STROKE
269	0x016A	Ū	LATIN CAPITAL LETTER U WITH MACRON
270	0x016B	ū	LATIN SMALL LETTER U WITH MACRON
271	0x016E	Û	LATIN CAPITAL LETTER U WITH RING ABOVE
272	0x016F	ů	LATIN SMALL LETTER U WITH RING ABOVE
273	0x0170	Ú	LATIN CAPITAL LETTER U WITH DOUBLE ACUTE
274	0x0171	ú	LATIN SMALL LETTER U WITH DOUBLE ACUTE
275	0x0172	Ů	LATIN CAPITAL LETTER U WITH OGONEK
276	0x0173	ů	LATIN SMALL LETTER U WITH OGONEK
277	0x0175	ŵ	LATIN SMALL LETTER W WITH CIRCUMFLEX
278	0x0177	ÿ	LATIN SMALL LETTER Y WITH CIRCUMFLEX
279	0x0178	ÿ	LATIN CAPITAL LETTER Y WITH DIAERESIS
280	0x0179	Ż	LATIN CAPITAL LETTER Z WITH ACUTE
281	0x017A	ż	LATIN SMALL LETTER Z WITH ACUTE
282	0x017B	Ž	LATIN CAPITAL LETTER Z WITH DOT ABOVE
283	0x017C	ž	LATIN SMALL LETTER Z WITH DOT ABOVE
284	0x017D	Ž	LATIN CAPITAL LETTER Z WITH CARON
285	0x017E	ž	LATIN SMALL LETTER Z WITH CARON
286	0x0218	Ș	LATIN CAPITAL LETTER S WITH COMMA BELOW
287	0x0219	ș	LATIN SMALL LETTER S WITH COMMA BELOW
288	0x021A	Ț	LATIN CAPITAL LETTER T WITH COMMA BELOW
289	0x021B	ț	LATIN SMALL LETTER T WITH COMMA BELOW
290	0x037A	·	GREEK YPOGEGRAMMENI
291	0x0384	˘	GREEK TONOS
292	0x0385	ˆ	GREEK DIALYTIKA TONOS
293	0x0386	Α	GREEK CAPITAL LETTER ALPHA WITH TONOS
294	0x0388	Ε	GREEK CAPITAL LETTER EPSILON WITH TONOS
295	0x0389	Η	GREEK CAPITAL LETTER ETA WITH TONOS
296	0x038A	Ι	GREEK CAPITAL LETTER IOTA WITH TONOS
297	0x038C	Ο	GREEK CAPITAL LETTER OMICRON WITH TONOS
298	0x038E	Υ	GREEK CAPITAL LETTER UPSILON WITH TONOS
299	0x038F	Ω	GREEK CAPITAL LETTER OMEGA WITH TONOS
300	0x0390	ϊ	GREEK SMALL LETTER IOTA WITH DIALYTIKA AND TONOS
301	0x0391	Α	GREEK CAPITAL LETTER ALPHA
302	0x0392	Β	GREEK CAPITAL LETTER BETA
303	0x0393	Γ	GREEK CAPITAL LETTER GAMMA
304	0x0394	Δ	GREEK CAPITAL LETTER DELTA
305	0x0395	Ε	GREEK CAPITAL LETTER EPSILON
306	0x0396	Ζ	GREEK CAPITAL LETTER ZETA

Table E.3 (8 of 13)

No.	2-byte/UCS-2 code	Symbol	Name
307	0x0397	Η	GREEK CAPITAL LETTER ETA
308	0x0398	Θ	GREEK CAPITAL LETTER THETA
309	0x0399	Ι	GREEK CAPITAL LETTER IOTA
310	0x039A	Κ	GREEK CAPITAL LETTER KAPPA
311	0x039B	Λ	GREEK CAPITAL LETTER LAMDA
312	0x039C	Μ	GREEK CAPITAL LETTER MU
313	0x039D	Ν	GREEK CAPITAL LETTER NU
314	0x039E	Ξ	GREEK CAPITAL LETTER XI
315	0x039F	Ο	GREEK CAPITAL LETTER OMICRON
316	0x03A0	Π	GREEK CAPITAL LETTER PI
317	0x03A1	Ρ	GREEK CAPITAL LETTER RHO
318	0x03A3	Σ	GREEK CAPITAL LETTER SIGMA
319	0x03A4	Τ	GREEK CAPITAL LETTER TAU
320	0x03A5	Υ	GREEK CAPITAL LETTER UPSILON
321	0x03A6	Φ	GREEK CAPITAL LETTER PHI
322	0x03A7	Χ	GREEK CAPITAL LETTER CHI
323	0x03A8	Ψ	GREEK CAPITAL LETTER PSI
324	0x03A9	Ω	GREEK CAPITAL LETTER OMEGA
325	0x03AA	Ϊ	GREEK CAPITAL LETTER IOTA WITH DIALYTIKA
326	0x03AB	Ϋ	GREEK CAPITAL LETTER UPSILON WITH DIALYTIKA
327	0x03AC	ά	GREEK SMALL LETTER ALPHA WITH TONOS
328	0x03AD	έ	GREEK SMALL LETTER EPSILON WITH TONOS
329	0x03AE	ή	GREEK SMALL LETTER ETA WITH TONOS
330	0x03AF	ί	GREEK SMALL LETTER IOTA WITH TONOS
331	0x03B0	ϋ	GREEK SMALL LETTER UPSILON WITH DIALYTIKA AND TONOS
332	0x03B1	α	GREEK SMALL LETTER ALPHA
333	0x03B2	β	GREEK SMALL LETTER BETA
334	0x03B3	γ	GREEK SMALL LETTER GAMMA
335	0x03B4	δ	GREEK SMALL LETTER DELTA
336	0x03B5	ε	GREEK SMALL LETTER EPSILON
337	0x03B6	ζ	GREEK SMALL LETTER ZETA
338	0x03B7	η	GREEK SMALL LETTER ETA
339	0x03B8	θ	GREEK SMALL LETTER THETA
340	0x03B9	ι	GREEK SMALL LETTER IOTA
341	0x03BA	κ	GREEK SMALL LETTER KAPPA
342	0x03BB	λ	GREEK SMALL LETTER LAMDA
343	0x03BC	μ	GREEK SMALL LETTER MU
344	0x03BD	ν	GREEK SMALL LETTER NU
345	0x03BE	ξ	GREEK SMALL LETTER XI
346	0x03BF	ο	GREEK SMALL LETTER OMICRON
347	0x03C0	π	GREEK SMALL LETTER PI
348	0x03C1	ρ	GREEK SMALL LETTER RHO
349	0x03C2	ς	GREEK SMALL LETTER FINAL SIGMA
350	0x03C3	σ	GREEK SMALL LETTER SIGMA
351	0x03C4	τ	GREEK SMALL LETTER TAU
352	0x03C5	υ	GREEK SMALL LETTER UPSILON
353	0x03C6	φ	GREEK SMALL LETTER PHI

Table E.3 (9 of 13)

No.	2-byte/UCS-2 code	Symbol	Name
354	0x03C7	Χ	GREEK SMALL LETTER CHI
355	0x03C8	ψ	GREEK SMALL LETTER PSI
356	0x03C9	ω	GREEK SMALL LETTER OMEGA
357	0x03CA	ι̇	GREEK SMALL LETTER IOTA WITH DIALYTIKA
358	0x03CB	υ̇	GREEK SMALL LETTER UPSILON WITH DIALYTIKA
359	0x03CC	ό	GREEK SMALL LETTER OMICRON WITH TONOS
360	0x03CD	ύ	GREEK SMALL LETTER UPSILON WITH TONOS
361	0x03CE	ώ	GREEK SMALL LETTER OMEGA WITH TONOS
362	0x0401	Ё	CYRILLIC CAPITAL LETTER IO
363	0x0402	Ђ	CYRILLIC CAPITAL LETTER DJE
364	0x0403	Ѓ	CYRILLIC CAPITAL LETTER GJE
365	0x0404	Є	CYRILLIC CAPITAL LETTER UKRAINIAN IE
366	0x0405	Ѕ	CYRILLIC CAPITAL LETTER DZE
367	0x0406	І	CYRILLIC CAPITAL LETTER BYELORUSSIAN-UKRAINIAN I
368	0x0407	Ї	CYRILLIC CAPITAL LETTER YI
369	0x0408	Ј	CYRILLIC CAPITAL LETTER JE
370	0x0409	Љ	CYRILLIC CAPITAL LETTER LJE
371	0x040A	Њ	CYRILLIC CAPITAL LETTER NJE
372	0x040B	Ћ	CYRILLIC CAPITAL LETTER TSHE
373	0x040C	Ќ	CYRILLIC CAPITAL LETTER KJE
374	0x040E	Ў	CYRILLIC CAPITAL LETTER SHORT U
375	0x040F	Ѹ	CYRILLIC CAPITAL LETTER DZHE
376	0x0410	А	CYRILLIC CAPITAL LETTER A
377	0x0411	Б	CYRILLIC CAPITAL LETTER BE
378	0x0412	В	CYRILLIC CAPITAL LETTER VE
379	0x0413	Г	CYRILLIC CAPITAL LETTER GHE
380	0x0414	Д	CYRILLIC CAPITAL LETTER DE
381	0x0415	Е	CYRILLIC CAPITAL LETTER IE
382	0x0416	Ж	CYRILLIC CAPITAL LETTER ZHE
383	0x0417	З	CYRILLIC CAPITAL LETTER ZE
384	0x0418	И	CYRILLIC CAPITAL LETTER I
385	0x0419	Й	CYRILLIC CAPITAL LETTER SHORT I
386	0x041A	К	CYRILLIC CAPITAL LETTER KA
387	0x041B	Л	CYRILLIC CAPITAL LETTER EL
388	0x041C	М	CYRILLIC CAPITAL LETTER EM
389	0x041D	Н	CYRILLIC CAPITAL LETTER EN
390	0x041E	О	CYRILLIC CAPITAL LETTER O
391	0x041F	П	CYRILLIC CAPITAL LETTER PE
392	0x0420	Р	CYRILLIC CAPITAL LETTER ER
393	0x0421	С	CYRILLIC CAPITAL LETTER ES
394	0x0422	Т	CYRILLIC CAPITAL LETTER TE
395	0x0423	У	CYRILLIC CAPITAL LETTER U
396	0x0424	Ф	CYRILLIC CAPITAL LETTER EF
397	0x0425	Х	CYRILLIC CAPITAL LETTER HA
398	0x0426	Ц	CYRILLIC CAPITAL LETTER TSE
399	0x0427	Ч	CYRILLIC CAPITAL LETTER CHE
400	0x0428	Ш	CYRILLIC CAPITAL LETTER SHA

Table E.3 (10 of 13)

No.	2-byte/UCS-2 code	Symbol	Name
401	0x0429	Щ	CYRILLIC CAPITAL LETTER SHCHA
402	0x042A	Ъ	CYRILLIC CAPITAL LETTER HARD SIGN
403	0x042B	Ы	CYRILLIC CAPITAL LETTER YERU
404	0x042C	Ь	CYRILLIC CAPITAL LETTER SOFT SIGN
405	0x042D	Э	CYRILLIC CAPITAL LETTER E
406	0x042E	Ю	CYRILLIC CAPITAL LETTER YU
407	0x042F	Я	CYRILLIC CAPITAL LETTER YA
408	0x0430	а	CYRILLIC SMALL LETTER A
409	0x0431	б	CYRILLIC SMALL LETTER BE
410	0x0432	в	CYRILLIC SMALL LETTER VE
411	0x0433	г	CYRILLIC SMALL LETTER GHE
412	0x0434	д	CYRILLIC SMALL LETTER DE
413	0x0435	е	CYRILLIC SMALL LETTER IE
414	0x0436	ж	CYRILLIC SMALL LETTER ZHE
415	0x0437	з	CYRILLIC SMALL LETTER ZE
416	0x0438	и	CYRILLIC SMALL LETTER I
417	0x0439	й	CYRILLIC SMALL LETTER SHORT I
418	0x043A	к	CYRILLIC SMALL LETTER KA
419	0x043B	л	CYRILLIC SMALL LETTER EL
420	0x043C	м	CYRILLIC SMALL LETTER EM
421	0x043D	н	CYRILLIC SMALL LETTER EN
422	0x043E	о	CYRILLIC SMALL LETTER O
423	0x043F	п	CYRILLIC SMALL LETTER PE
424	0x0440	р	CYRILLIC SMALL LETTER ER
425	0x0441	с	CYRILLIC SMALL LETTER ES
426	0x0442	т	CYRILLIC SMALL LETTER TE
427	0x0443	у	CYRILLIC SMALL LETTER U
428	0x0444	ф	CYRILLIC SMALL LETTER EF
429	0x0445	х	CYRILLIC SMALL LETTER HA
430	0x0446	ц	CYRILLIC SMALL LETTER TSE
431	0x0447	ч	CYRILLIC SMALL LETTER CHE
432	0x0448	ш	CYRILLIC SMALL LETTER SHA
433	0x0449	щ	CYRILLIC SMALL LETTER SHCHA
434	0x044A	ъ	CYRILLIC SMALL LETTER HARD SIGN
435	0x044B	ы	CYRILLIC SMALL LETTER YERU
436	0x044C	ь	CYRILLIC SMALL LETTER SOFT SIGN
437	0x044D	э	CYRILLIC SMALL LETTER E
438	0x044E	ю	CYRILLIC SMALL LETTER YU
439	0x044F	я	CYRILLIC SMALL LETTER YA
440	0x0451	ё	CYRILLIC SMALL LETTER IO
441	0x0452	ђ	CYRILLIC SMALL LETTER DJE
442	0x0453	ѓ	CYRILLIC SMALL LETTER GJE
443	0x0454	є	CYRILLIC SMALL LETTER UKRAINIAN IE
444	0x0455	ѕ	CYRILLIC SMALL LETTER DZE
445	0x0456	і	CYRILLIC SMALL LETTER BYELORUSSIAN-UKRAINIAN I
446	0x0457	ї	CYRILLIC SMALL LETTER YI
447	0x0458	ј	CYRILLIC SMALL LETTER JE

Table E.3 (11 of 13)

No.	2-byte/UCS-2 code	Symbol	Name
448	0x0459	Љ	CYRILLIC SMALL LETTER LJE
449	0x045A	њ	CYRILLIC SMALL LETTER NJE
450	0x045B	ћ	CYRILLIC SMALL LETTER TSHE
451	0x045C	ќ	CYRILLIC SMALL LETTER KJE
452	0x045E	ѱ	CYRILLIC SMALL LETTER SHORT U
453	0x045F	Ѱ	CYRILLIC SMALL LETTER DZHE
454	0x05D0	א	HEBREW LETTER ALEF
455	0x05D1	ב	HEBREW LETTER BET
456	0x05D2	ג	HEBREW LETTER GIMEL
457	0x05D3	ד	HEBREW LETTER DALET
458	0x05D4	ה	HEBREW LETTER HE
459	0x05D5	ו	HEBREW LETTER VAV
460	0x05D6	ז	HEBREW LETTER ZAYIN
461	0x05D7	ח	HEBREW LETTER HET
462	0x05D8	ט	HEBREW LETTER TET
463	0x05D9	י	HEBREW LETTER YOD
464	0x05DA	ך	HEBREW LETTER FINAL KAF
465	0x05DB	כ	HEBREW LETTER KAF
466	0x05DC	ל	HEBREW LETTER LAMED
467	0x05DD	מ	HEBREW LETTER FINAL MEM
468	0x05DE	מ	HEBREW LETTER MEM
469	0x05DF	נ	HEBREW LETTER FINAL NUN
470	0x05E0	נ	HEBREW LETTER NUN
471	0x05E1	ס	HEBREW LETTER SAMEKH
472	0x05E2	ע	HEBREW LETTER AYIN
473	0x05E3	ף	HEBREW LETTER FINAL PE
474	0x05E4	פ	HEBREW LETTER PE
475	0x05E5	צ	HEBREW LETTER FINAL TSADI
476	0x05E6	צ	HEBREW LETTER TSADI
477	0x05E7	ק	HEBREW LETTER QOF
478	0x05E8	ר	HEBREW LETTER RESH
479	0x05E9	ש	HEBREW LETTER SHIN
480	0x05EA	ת	HEBREW LETTER TAV
481	0x060C	،	ARABIC COMMA
482	0x061B	؛	ARABIC SEMICOLON
483	0x061F	؟	ARABIC QUESTION MARK
484	0x0621	ء	ARABIC LETTER HAMZA
485	0x0622	آ	ARABIC LETTER ALEF WITH MADDA ABOVE
486	0x0623	أ	ARABIC LETTER ALEF WITH HAMZA ABOVE
487	0x0624	ؤ	ARABIC LETTER WAW WITH HAMZA ABOVE
488	0x0625	إ	ARABIC LETTER ALEF WITH HAMZA BELOW
489	0x0626	ئ	ARABIC LETTER YEH WITH HAMZA ABOVE
490	0x0627	ا	ARABIC LETTER ALEF
491	0x0628	ب	ARABIC LETTER BEH
492	0x0629	بة	ARABIC LETTER TEH MARBUTA
493	0x062A	ت	ARABIC LETTER TEH
494	0x062B	ث	ARABIC LETTER THEH

Table E.3 (12 of 13)

No.	2-byte/UCS-2 code	Symbol	Name
495	0x062C	ج	ARABIC LETTER JEEM
496	0x062D	ح	ARABIC LETTER HAH
497	0x062E	خ	ARABIC LETTER KHAH
498	0x062F	د	ARABIC LETTER DAL
499	0x0630	ذ	ARABIC LETTER THAL
500	0x0631	ر	ARABIC LETTER REH
501	0x0632	ز	ARABIC LETTER ZAIN
502	0x0633	س	ARABIC LETTER SEEN
503	0x0634	ش	ARABIC LETTER SHEEN
504	0x0635	ص	ARABIC LETTER SAD
505	0x0636	ض	ARABIC LETTER DAD
506	0x0637	ط	ARABIC LETTER TAH
507	0x0638	ظ	ARABIC LETTER ZAH
508	0x0639	ع	ARABIC LETTER AIN
509	0x063A	غ	ARABIC LETTER GHAIN
510	0x0640	-	ARABIC TATWEEL
511	0x0641	ف	ARABIC LETTER FEH
512	0x0642	ق	ARABIC LETTER QAF
513	0x0643	ك	ARABIC LETTER KAF
514	0x0644	ل	ARABIC LETTER LAM
515	0x0645	م	ARABIC LETTER MEEM
516	0x0646	ن	ARABIC LETTER NOON
517	0x0647	ه	ARABIC LETTER HEH
518	0x0648	و	ARABIC LETTER WAW
519	0x0649	ى	ARABIC LETTER ALEF MAKSURA
520	0x064A	ي	ARABIC LETTER YEH
521	0x064B	ْ	ARABIC FATHATAN
522	0x064C	ُ	ARABIC DAMMATAN
523	0x064D	ِ	ARABIC KASRATAN
524	0x064E	َ	ARABIC FATHA
525	0x064F	ّ	ARABIC DAMMA
526	0x0650	◌ِ	ARABIC KASRA
527	0x0651	◌َ	ARABIC SHADDA
528	0x0652	◌ُ	ARABIC SUKUN
529	0x200E		LEFT-TO-RIGHT MARK ^a
530	0x200F		RIGHT-TO-LEFT MARK ^a
531	0x2015	—	HORIZONTAL BAR
532	0x2017	═	DOUBLE LOW LINE
533	0x2018	‘	LEFT SINGLE QUOTATION MARK
534	0x2019	’	RIGHT SINGLE QUOTATION MARK
535	0x201C	“	LEFT DOUBLE QUOTATION MARK
536	0x201D	”	RIGHT DOUBLE QUOTATION MARK
537	0x201E	„	DOUBLE LOW-9 QUOTATION MARK
538	0x202A		LEFT-TO-RIGHT EMBEDDING ^a
539	0x202B		RIGHT-TO-LEFT EMBEDDING ^a
540	0x202C		POP DIRECTIONAL FORMATTING ^a
541	0x202D		LEFT-TO-RIGHT OVERRIDE ^a

Table E.3 (13 of 13)

No.	2-byte/UCS-2 code	Symbol	Name
542	0x202E		RIGHT-TO-LEFT OVERRIDE ^a
543	0x2030	‰	PER MILLE SIGN
544	0x20AC	€	EURO SIGN
545	0x2116	№	NUMERO SIGN
546	0x2190	←	LEFTWARDS ARROW
547	0x2191	↑	UPWARDS ARROW
548	0x2192	→	RIGHTWARDS ARROW
549	0x2193	↓	DOWNWARDS ARROW
550	0x2551	∥	BOX DRAWINGS DOUBLE VERTICAL

^a For details on coding of bidirectional text formatting refer to ISO/IEC 10646:2014, Annex F.

Annex F (normative)

Programme type codes

PTY programme type codes with the corresponding terms to be displayed on a receiver are listed in Table F.1. They serve as an identification of specific programme items, the meaning of which is defined as listed below.

Table F.1 – Programme type codes and corresponding terms for display

NOTE Different PTY codes are used in the US NRSC-4- standard.

Number	Code	Programme type	8-character display ^a	16-character display ^a
0	00000	No programme type or undefined	None	None
1	00001	News	News	News
2	00010	Current affairs	Affairs	Current affairs
3	00011	Information	Info	Information
4	00100	Sport	Sport	Sport
5	00101	Education	Educate	Education
6	00110	Drama	Drama	Drama
7	00111	Culture	Culture	Cultures
8	01000	Science	Science	Science
9	01001	Varied	Varied	Varied speech
10	01010	Pop music	Pop M	Pop music
11	01011	Rock music	Rock M	Rock music
12	01100	Easy listening music ^b	Easy M	Easy listening
13	01101	Light classical	Light M	Light classics m
14	01110	Serious classical	Classics	Serious classics
15	01111	Other music	Other M	Other music
16	10000	Weather	Weather	Weather & metr
17	10001	Finance	Finance	Finance
18	10010	Children's programmes	Children	Children's progs
19	10011	Social affairs	Social	Social affairs
20	10100	Religion	Religion	Religion
21	10101	Phone in	Phone in	Phone in
22	10110	Travel	Travel	Travel & touring
23	10111	Leisure	Leisure	Leisure & hobby
24	11000	Jazz music	Jazz	Jazz music
25	11001	Country music	Country	Country music
26	11010	National music	Nation M	National music
27	11011	Oldies music	Oldies	Oldies music
28	11100	Folk music	Folk M	Folk music
29	11101	Documentary	Document	Documentary
30	11110	Alarm test	TEST	Alarm test
31	11111	Alarm	Alarm !	Alarm – Alarm !

^a These short terms are recommended for the 8- or 16-character display of the radio in English. Other language versions are available from the EBU and the RDS Forum on the Internet World Wide Web site at URL: <http://www.rds.org.uk/>.

^b In earlier versions of this standard, the term used was "M.O.R. (middle of the road) music". Easy listening is a more frequently used equivalent.

Definition of the terms used to denote programme type

1	News	Short accounts of facts, events and publicly expressed views, reportage and actuality.
2	Current affairs	Topical programme expanding or enlarging upon the news, generally in different presentation style or concept, including debate, or analysis.
3	Information	Programme, the purpose of which is to impart advice in the widest sense.
4	Sport	Programme concerned with any aspect of sport.
5	Education	Programme intended primarily to educate, of which the formal element is fundamental.
6	Drama	All radio plays and serials.
7	Culture	Programmes concerned with any aspect of national or regional culture, including language, theatre, etc.
8	Science	Programmes about the natural sciences and technology.
9	Varied	Used for mainly speech-based programmes usually of light-entertainment nature, not covered by other categories. Examples include: quizzes, panel games, personality interviews.
10	Pop	Commercial music, which would generally be considered to be of current popular appeal, often featuring in current or recent record sales charts.
11	Rock	Contemporary modern music, usually written and performed by young musicians.
12	Easy listening	Current contemporary music considered to be "easy-listening", as opposed to Pop, Rock or Classical, or one of the specialized music styles, Jazz, Folk or Country. Music in this category is often but not always, vocal, and usually of short duration.
13	Light classics	Classical music for general, rather than specialist appreciation. Examples of music in this category are instrumental music, and vocal or choral works.
14	Serious classics	Performances of major orchestral works, symphonies, chamber music, etc., including opera.
15	Other music	Musical styles not fitting into any of the other categories. Particularly used for specialist music of which Rhythm and Blues and Reggae are examples.
16	Weather	Weather reports and forecasts and meteorological info.
17	Finance	Stock market reports, commerce, trading, etc.
18	Children's programmes	For programmes targeted at a young audience, primarily for entertainment and interest, rather than where the objective is to educate.
19	Social affairs	Programmes about people and things that influence them individually or in groups. Includes: sociology, history, geography, psychology and society.
20	Religion	Any aspect of beliefs and faiths, involving a God or Gods, the nature of existence and ethics.
21	Phone in	Involving members of the public expressing their views either by phone or at a public forum.
22	Travel	Features and programmes concerned with travel to near and far destinations, package tours and travel ideas and opportunities.

Note that for announcements about problems, delays, or roadworks affecting immediate travel, TP/TA shall be used.

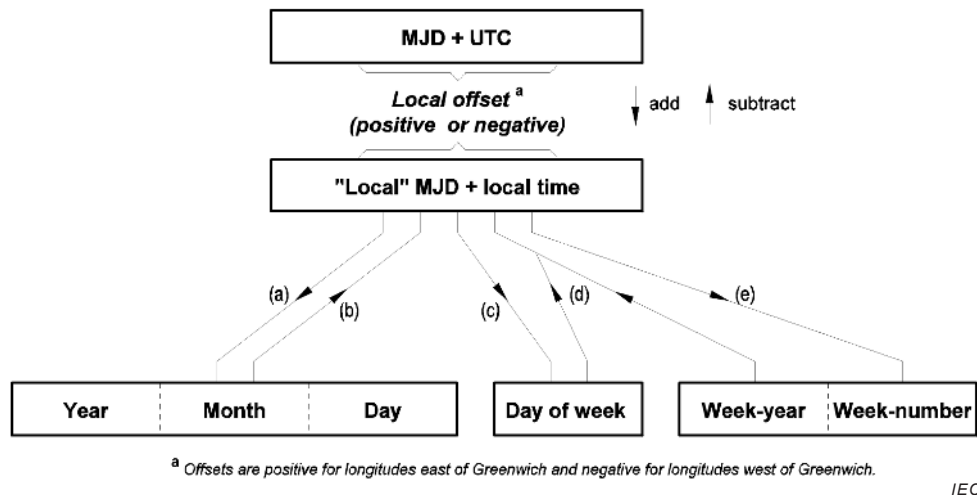
- | | | |
|----|-----------------------|--|
| 23 | Leisure | Programmes concerned with recreational activities in which the listener might participate. Examples include, gardening, fishing, antique collecting, cooking, food and wine, etc. |
| 24 | Jazz music | Polyphonic, syncopated music characterised by improvisation. |
| 25 | Country music | Songs which originate from, or continue the musical tradition of the American Southern States. Characterised by a straightforward melody and narrative story line. |
| 26 | National music | Current popular music of the Nation or Region in that country's language, as opposed to International 'Pop' which is usually US or UK inspired and in English. |
| 27 | Oldies music | Music from the so-called "golden age" of popular music. |
| 28 | Folk music | Music which has its roots in the musical culture of a particular nation, usually played on acoustic instruments. The narrative or story may be based on historical events or people. |
| 29 | Documentary | Programme concerned with factual matters, presented in an investigative style. |
| 30 | Alarm test | Broadcast when testing emergency broadcast equipment or receivers. Not intended for searching or dynamic switching for consumer receivers. Receivers may, if desired, display "TEST" or "Alarm test". |
| 31 | Alarm | Emergency announcement made under exceptional circumstances to give warning of events causing danger of a general nature. Not to be used for searching, only used in a receiver for dynamic switching. |

NOTE These definitions can slightly differ between various language versions.

Annex G (informative)

Conversion between time and date conventions

The types of conversion which may be required are summarised in the diagram as indicated in Figure G.1. This figure shows the conversion routes between the Modified Julian Date (MJD) and the Coordinated Universal Time (UTC). The five conversion routes indicated in the diagram as a) to e) are detailed in the corresponding formulae a) to e) below Table G.1.



IEC

Figure G.1 – Conversion routes between Modified Julian Date (MJD) and Coordinated Universal Time (UTC)

The conversion between MJD + UTC and the "local" MJD + local time is simply a matter of adding or subtracting the local offset. This process may, of course, involve a "carry" or "borrow" from the UTC affecting the MJD. The other five conversion routes shown on the diagram are detailed in the formulae indicated in Table G.1 and in the list below.

Table G.1 – Symbols used

Symbol	Meaning
MJD	Modified Julian Day
UTC	Coordinated Universal Time
Y	Year from 1900 (e.g. for 2003, Y = 103)
M	Month from January (= 1) to December (= 12)
D	Day of month from 1 to 31
WY	"Week number" Year from 1900
WN	Week number according to ISO 8601 (see [18])
WD	Day of week from Monday (= 1) to Sunday (= 7)
K, L, M', W, Y'	Intermediate variables
×	Multiplication
int	Integer part, ignoring remainder
mod 7	Remainder (0-6) after dividing integer by 7

a) **To find Y, M, D from MJD**

$$Y' = \text{int} [(\text{MJD} - 15\,078,2) / 365,25]$$

$$M' = \text{int} \{ [\text{MJD} - 14\,956,1 - \text{int} (Y' \times 365,25)] / 30,6001 \}$$

$$D = \text{MJD} - 14\,956 - \text{int} (Y' \times 365,25) - \text{int} (M' \times 30,6001)$$

If $M' = 14$ or $M' = 15$, then $K = 1$; else $K = 0$

$$Y = Y' + K$$

$$M = M' - 1 - K \times 12$$

b) **To find MJD from Y, M, D**

If $M = 1$ or $M = 2$, then $L = 1$; else $L = 0$

$$\text{MJD} = 14\,956 + D + \text{int} [(Y - L) \times 365,25] + \text{int} [(M + 1 + L \times 12) \times 30,6001]$$

c) **To find WD from MJD**

$$\text{WD} = [(\text{MJD} + 2) \bmod 7] + 1$$

d) **To find MJD from WY, WN, WD**

$$\text{MJD} = 15\,012 + \text{WD} + 7 \times \{ \text{WN} + \text{int} [(\text{WY} \times 1\,461 / 28) + 0,41] \}$$

e) **To find WY, WN from MJD**

$$W = \text{int} [(\text{MJD} / 7) - 2\,144,64]$$

$$\text{WY} = \text{int} [(W \times 28 / 1\,461) - 0,0079]$$

$$\text{WN} = W - \text{int} [(\text{WY} \times 1\,461 / 28) + 0,41]$$

Example:

MJD	= 45 218	W	= 4 315
Y	= (19)82	WY	= (19)82
M	= 9 (September)	WN	= 36
D	= 6	WD	= 1 (Monday)

NOTE These formulae are applicable between the inclusive dates: 1st March 1900 to 28th February 2100.

Annex H (informative)

ARI (Autofahrer-Rundfunk-Information) system – Discontinuation

The details of the ARI system specification are deleted from this standard, following discontinuation of all known transmissions.

The ARI system was in use before the introduction of RDS. RDS incorporated ARI functionality through the TP/TA features and thus the ARI system has become redundant. However, to protect the functionality of old ARI receivers, without RDS capability, ARI transmissions continued in some countries, simultaneously with RDS, as a transition measure. Finally, between 2004 and 2006, ARI transmissions were generally discontinued.

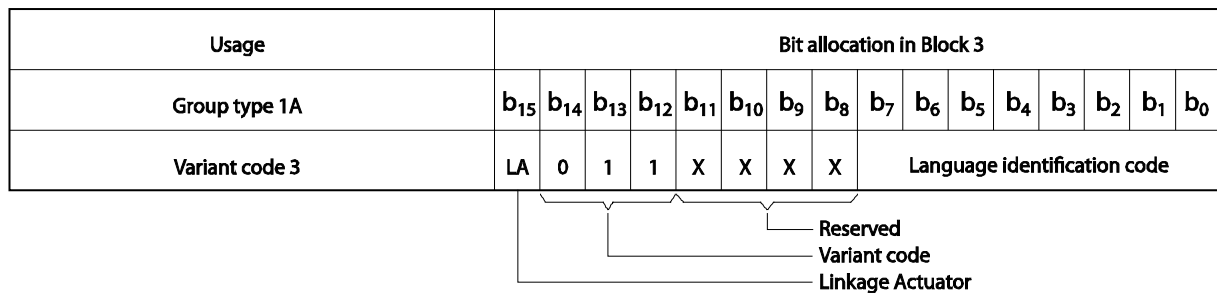
Initially, RDS receivers were designed to be compatible with ARI. To achieve this compatibility, RDS decoders used a notch-filter to filter out ARI before the biphase coded RDS signals, by using the same subcarrier. Since ARI is no longer used this notch-filter is no longer required. This may lead to a possible simplification for RDS receivers released after the ARI switch-off.

Annex J
(normative)

Language identification

To enable a broadcaster to indicate the spoken language he/she is transmitting, the 8-bit language identification codes in Table J.1 shall be used.

In Group 1A, Variant 3, Block 3 the language identification code is allocated according to Figure J.1. When implemented, this variant shall be transmitted at least once every 2 s.



IEC

Figure J.1 – Language identification code allocation

Table J.1 – Language identification codes

a) European languages written in latin-based alphabets

Code (Hexadecimal)	Language	Code (Hexadecimal)	Language
00	Unkown/not applicable	20	Polish
01	Albanian	21	Portuguese
02	Breton	22	Romanian
03	Catalan	23	Romansh
04	Croatian	24	Serbian
05	Welsh	25	Slovak
06	Czech	26	Slovene
07	Danish	27	Finnish
08	German	28	Swedish
09	English	29	Turkish
0A	Spanish	2A	Flemish
0B	Esperanto	2B	Walloon
0C	Estonian	2C	
0D	Basque	2D	
0E	Faroese	2E	
0F	French	2F	
10	Frisian	30)
11	Irish	31)
12	Gaelic	32) – Reserved for
13	Galician	33) national assignment
14	Icelandic	34)
15	Italian	35)

Code (Hexadecimal)	Language	Code (Hexadecimal)	Language
16	Lappish	36)
17	Latin	37)
18	Latvian	38)
19	Luxembourgian	39)
1A	Lithuanian	3A) – Reserved for
1B	Hungarian	3B) national assignment
1C	Maltese	3C)
1D	Dutch	3D)
1E	Norwegian	3E)
1F	Occitan	3F)

b) Other languages

Code (Hexadecimal)	Language	Code (Hexadecimal)	Language
7F	Amharic	5F	Marathi
7E	Arabic	5E	Ndebele
7D	Armenian	5D	Nepali
7C	Assamese	5C	Oriya
7B	Azerbaijani	5B	Papiamento
7A	Bambara	5A	Persian
79	Belorussian	59	Punjabi
78	Bengali	58	Pushtu
77	Bulgarian	57	Quechua
76	Burmese	56	Russian
75	Chinese	55	Ruthenian
74	Churash	54	Serbo-Croat
73	Dari	53	Shona
72	Fulani	52	Sinhalese
71	Georgian	51	Somali
70	Greek	50	Sranan Tongo
6F	Gujurati	4F	Swahili
6E	Gurani	4E	Tadzhik
6D	Hausa	4D	Tamil
6C	Hebrew	4C	Tatar
6B	Hindi	4B	Telugu
6A	Indonesian	4A	Thai
69	Japanese	49	Ukrainian
68	Kannada	48	Urdu
67	Kazakh	47	Uzbek
66	Khmer	46	Vietnamese
65	Korean	45	Zulu
64	Laotian	44	
63	Macedonian	43	
62	Malagasay	42	
61	Malaysian	41	
60	Moldavian	40	

Annex K
(informative)

RDS logo ³



NOTE The wording "RADIO DATA SYSTEM" may be omitted.

When EON is implemented, the following logos may be used.



³ © European Broadcasting Union and British Broadcasting Corporation 1992 and 1996.

® Trademark National Association of Broadcasters (U.S. only). Trademark registered on behalf of the National Radio Systems Committee.

This information is given for the convenience of users of this document and does not constitute an endorsement by IEC.

Annex L (informative)

Open data registration

This procedure applies to all countries except the USA.

Every data application using the Open Data Applications (ODA) feature (see 6.1.4) shall be transmitted together with an Application Identification (AID) number (see 6.1.5.4). The AID number, for each ODA **outside the United States**, is allocated by the RDS Registrations Office at the address shown on the RDS Forum web site at URL: <http://www.rds.org.uk/> Forms shall be completed fully (every question shall be answered – the RDS Registrations Office will advise, if difficulty is experienced) and sent to the RDS Registrations Office, together with the nominal fee, published on the web site of the RDS Forum, which is payable in advance. Subject to satisfactory completion, an AID number will be allocated and a copy of the Form will be returned to the applicant. The allocations are co-ordinated with the RBDS ODA registrations office in the USA to avoid that the same allocation is made twice.

Transmissions carrying an AID *shall* adhere fully to the details, specifications and references of the relevant registration. (Any subsequent updates that do not *change* the fundamental requirements for the transmission of that ODA, may allow continued use of the same AID, but advice should be sought from the RDS Registrations Office.)

Details will be kept in the RDS Forum ODA Directory, which will be published, from time to time. An up-to-date version of the Directory will be maintained on the RDS Forum Web site.

Users of an AID shall satisfy themselves as to the validity of using it and the accuracy of all related information and shall accept all due consequences. The RDS Registrations Office is not liable for any incidental, special or consequential damages arising out of the use or inability to use an AID, whether in transmission or reception equipment.

Note that AID codes are internationally allocated and recognized.

RDS Open Data Applications – Registration Form*This Form will be published in full, except the last two answers, if not specifically permitted.*

To:	RDS Registrations Office For the address and e-mail see http://www.rds.org.uk/	Application Date:
-----	---	-------------------

Question	Information	Comment
Applicants Name:		Title/Name of contact
Organisation:		Company Name
Organisation Address:		Street 1
		Street 2
		Town/City
		Area/County
		Postal Code
		Country
Application Name:		5 or 6 words, maximum
Application Description:	<i>Please use additional pages if desired.</i>	Give as much detail as possible.
Open Data mode: (see 6.1.5.4)		Choose one mode, only
ODA details, specifications and references:	Tick, if publication not permitted [] <i>Please attach additional pages.</i>	Give <i>all</i> details, proprietary documents and references.
Capacity requirement for both the ODA and AID groups:	Tick, if publication not permitted [] a) ODA groups/second b) type 3A groups/minute <i>Please use additional pages if desired.</i>	Indicate: ODA groups/second <i>and</i> type 3A groups/minute. Describe any constraints.

Data application designers need to consider a number of questions regarding their application and the RDS system interface, so that the RDS bearer is kept in conformity with best implementation practice. The following questions shall be carefully considered (the RDS Registrations Office will advise, if difficulty is experienced) and the following check list shall be completed and attached to all applications.

RDS Open Data Applications – Check List <i>This Check List will not be published.</i>

Question	Considered	Notes
Does the application behave correctly when not all RDS groups are received?	Tick, if considered []	Necessary for mobile RDS applications
Does the application provide the means to identify the Service Provider?	Tick, if considered []	
Does the application allow for future proofing, by upgrading?	Tick, if considered []	
Does the application require sub-sets of associated applications?	Tick, if considered []	Use of variant codes and/or other groups (e.g. clock-time)
Does the application include provision to reference other transmissions carrying the same service?	Tick, if considered []	PI and AF
Does the application include an additional layer of error protection?	Tick, if considered []	RDS already has considerable capability
Does the application include encryption?	Tick, if considered []	
Does the application include data compression?	Tick, if considered []	
Have you defined the capacity requirements for the application?	Tick, if considered []	
Have you defined the capacity requirements for the AID under normal conditions?	Tick, if considered []	
Is your application able to assume and lose the use of a group type?	Tick, if considered []	
If so, have you defined the AID signalling when use of a channel is assumed?	Tick, if considered []	
If so, have you defined the AID signalling when use of the channel ceases?	Tick, if considered []	

Annex M (normative)

Coding of Radio Paging (RP)

M.1 General

The following radio paging systems are described in this annex:

- the basic paging protocol;
- the enhanced paging protocol.

While the basic protocol offers all the basic features necessary for a national service, the enhanced paging offers a great number of improvements such as:

- an easy-to-implement international service;
- multi-operator and/or multi-area paging services.

More than these features, the enhanced paging offers a dramatically increased battery life time.

The message labelling has also been improved: a message call counter and a repetition flag have been added for a better reliability of the paging service.

The following abbreviations are used in this annex.

CCF	C urrent C arrier F requency
CS	C ycle S election
CT	C lock T ime
ECC	E xtended C ountry C ode
EPP	E nhanced P aging P rotocol
IT	I n T erval Numbering
NI	N ational I nternational
OPC	O perator C ode
PAC	P aging A rea C ode
PIN	P rogramme I tem N umber
SI	S ystem I nformation
STY	S ub T ype group
VAS	V alue A dded S ervices

M.2 Basic paging protocol

M.2.1 Coding characteristics for paging

M.2.1.1

Group type 4A, clock-time and date (CT), is transmitted at the start of every minute.

The transmitted CT (see 6.1.5.6 and 6.2.4) shall be accurate. Otherwise the CT codes shall all be set to zero.

M.2.1.2

Group type 1A, programme-item number (PIN), is transmitted at least once per second. The five last bits of its block 2 are used for radio paging codes as follows:

- bits B_4 to B_2 : 3-bit transmitter network group designation;
- bits B_1 to B_0 : battery saving interval synchronization and identification.

M.2.1.3

Group type 7A is used to convey the paging information.

M.2.2 Transmitter network group designation**M.2.2.1 General**

The first three bits of the five last bits of block 2 of Group type 1A (radio paging codes, as defined in M.2.1.2) are used to designate the transmitter network to a group of pager group codes. Pagers not belonging to the designated group codes shall not lock to the transmitter.

The group designations are as indicated in Table M.1.

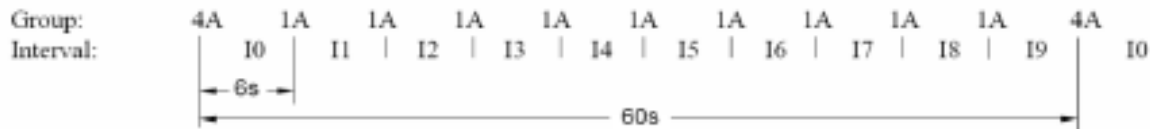
Table M.1 – Pager group codes

B_4	B_3	B_2	Group codes	Number of group codes
0	0	0	No basic paging on channel	
0	0	1	00 to 99	100
0	1	0	00 to 39	40
0	1	1	40 to 99	60
1	0	0	40 to 69	30
1	0	1	70 to 99	30
1	1	0	00 to 19	20
1	1	1	20 to 39	20

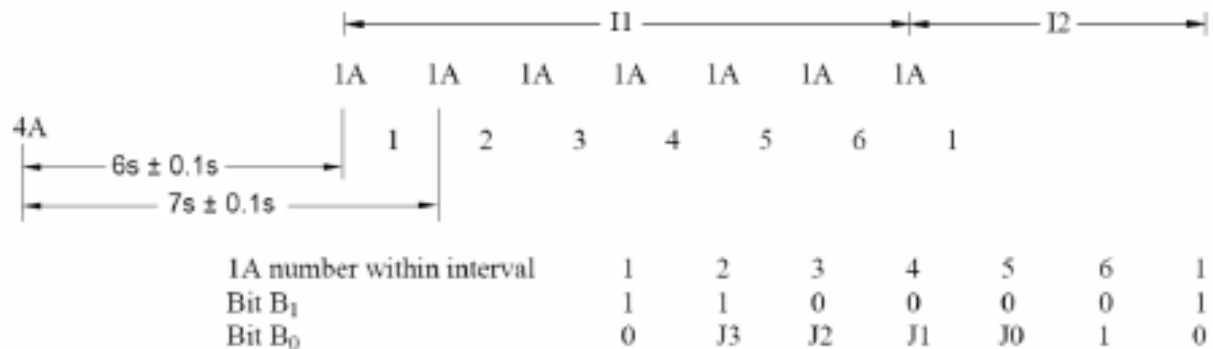
The transmitter network group designation enables to distribute the paging calls over one to four networks, e.g. several networks during day-time and a single network during night-time. The number of group codes in each network is shown below for the different number of networks in operation.

Number of transmitter networks	Number of group codes respectively
1	100
2	40/60
3	40/30/30
4	20/20/30/30

M.2.2.2 Transmission sequence (battery saving)



Timing within intervals:



For battery saving purposes, each minute is divided into ten intervals of equal length (I0 ... I9). Each paging receiver belongs to the interval corresponding to the last digit of its individual code (digit 0 belongs to I0 and so on). Paging calls are placed within the interval corresponding to the last digit or within the two intervals following that interval.

To enable the receivers to synchronize to the correct interval, the last two bits, B_1 and B_0 , of the five last bits of block 2 of Group type 1A are used. The start of an interval is indicated by the transmission of two 1A groups with $B_1 = 1$ (in interval I0 the first 1A group is replaced by 4A). The first 1A (or 4A for I0) group is transmitted at the start interval and the other 1 s later. Within an interval at least three more 1A groups are transmitted (bit $B_1 = 0$). Bit B_0 of 1A groups number 2, 3, 4 and 5 is used to sequentially transmit the four bits J3, J2, J1, J0 of the BCD-coded interval number 0 ... 9. Excessive 1A groups within an interval have their bit $B_0 = 1$.

For the paging receiver, 1 min is the interval between two consecutive 4A groups. This minute contains either 685 or 686 RDS groups. For the paging receiver, 1 s is the interval between two consecutive 1A groups. This second contains 11 or 12 RDS groups. Consequently, for a paging receiver, the duration of the relevant time intervals is equal to 1 s or 1 min plus or minus the length of one RDS group.

The receiver may enter battery saving mode after the start of its interval:

- if at least 10 groups differing from group type 7A have been received;
- if a paging call, belonging to an interval different from the receivers' own and the two preceding intervals, has been received;
- after the start of the third interval after its own interval.

The receiver shall be considered to have lost its interval synchronization:

- if there is a paging call within the receivers' own interval to a receiver not belonging to the interval or the two preceding intervals, or
- if an error-free reception of the interval marking (J3, J2, J1, J0) is not the one expected.

Checking of J3, J2, J1, J0 is not necessary each time the receiver leaves battery saving mode.

M.2.3 Locking to a channel

The receiver searches for one of the offset words A ... D. When this is found, it searches for the next expected offset word at a distance of: n times 26 bit, $n = 1 \dots 6$. When two offset words have been found, the receiver is synchronized to both block and group. After block and group synchronization, the receiver shall find the correct country code (within the PI-code) and group designation of the transmitter network.

When scanning the frequency band, block and group synchronization shall occur within 1 s and the correct country code and group designation shall be found within 2 s after block and group synchronization. Otherwise the receiver shall leave the channel.

When locking to the channel after going into battery saving mode, block and group synchronization, the reception of the correct country code and transmitter group designation shall occur within 15 s. Otherwise, the receiver shall leave the channel.

For quick scanning, the information about alternative frequencies in group type 0A may be used.

M.2.4 Loss of synchronization

Clockslip may be detected by using the fact that the programme identification (PI) code is rarely altered. By calculating the syndrome for this block and the block shifted plus/minus one bit, it is possible to see whether clockslip has occurred. If the information becomes correct after a one bit shift, it is considered that a clockslip has occurred, all received data is shifted accordingly and the receiver is correctly synchronized.

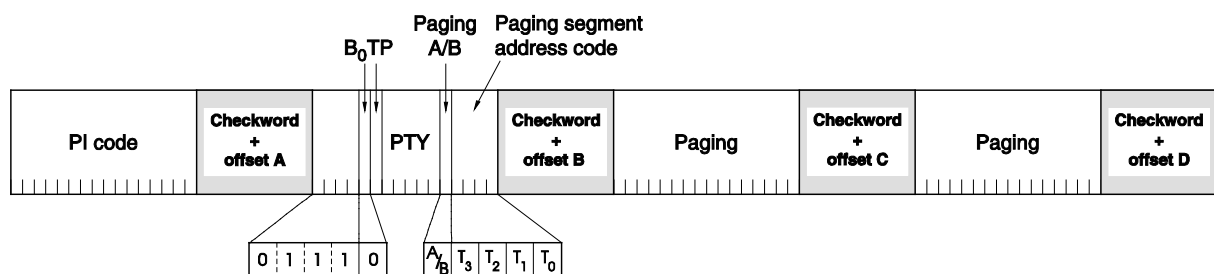
When 43 out of the last received 45 blocks have a syndrome different from zero (for the respective offset words), the channel locking is lost and the receiver shall scan the band for a better channel.

If the group code of the receiver is no longer in accordance with the transmitter group designation code, the receiver shall leave the channel and scan the band for a new channel.

M.2.5 Group type 7A message format

M.2.5.1 General

Figure M.1 shows the Group type 7A message format.



IEC

Figure M.1 – Group type 7A message format for radio paging

Block 1 comprises the PI code found as the first block of every RDS group type. Blocks 3 and 4 are used for paging information.

In block 2 the five last bits are used to control the paging information. Bit AB, paging A/B, is used as a flag which changes its value between different paging calls thus indicating the start

of a new or repeated call. Bits T_3 to T_0 are used as a 4-bit paging segment address code and to indicate the type of additional message as indicated in Table M.2.

Table M.2 – Codes for additional message content

T_3	T_2	T_1	T_0	Message contents
0	0	0	0	No additional message
0	0	0	1	Part of functions message
0	0	1	X	10 digit numeric message or part of functions message
0	1	X	X	18 digit numeric message or 15 digit numeric message in international paging
1	X	X	X	Alphanumeric message
<i>X indicates state 0 or 1</i>				

M.2.5.2 Paging without an additional message

The Group type 7A format for paging without an additional message is shown in Figure M.2.

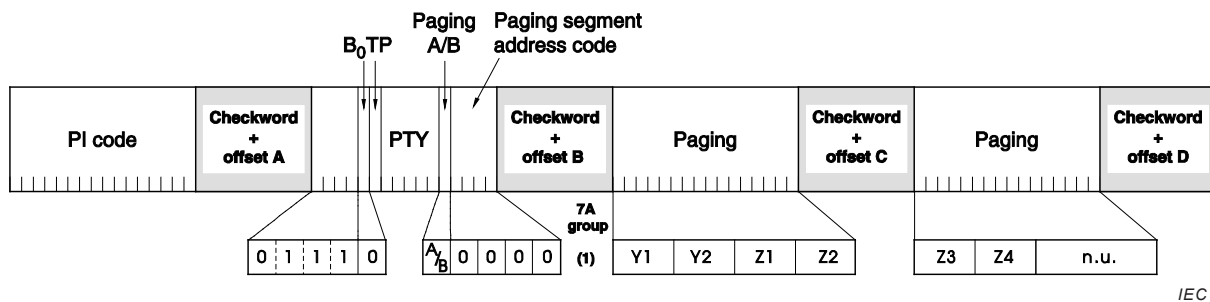


Figure M.2 – Group type 7A paging without an additional message

- Y1Y2 denotes the group code
- Z1...Z4 denotes the individual code within the group
- Y_n and Z_n denote BCD-coded digits 0 ... 9
- n.u. 8 last bits of block 4 not used.

The paging segment address code, used to indicate the contents of blocks 3 and 4, is set to 0000.

M.2.5.3 Paging with an additional numeric message

The additional numeric message is transmitted in one or two 7A groups following the first 7A group of the call. Other group types may be transmitted in between, as shown Figure M.3.

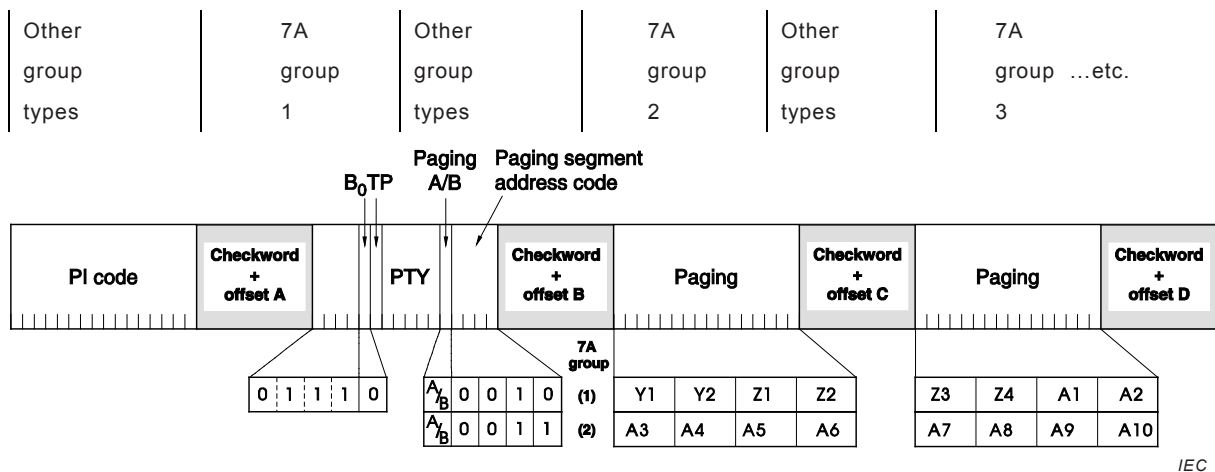


Figure M.3 – Group type 7A paging with an additional 10 digit message

Third 7A group is only transmitted in case of an 18 digit message, see Figure M.4.

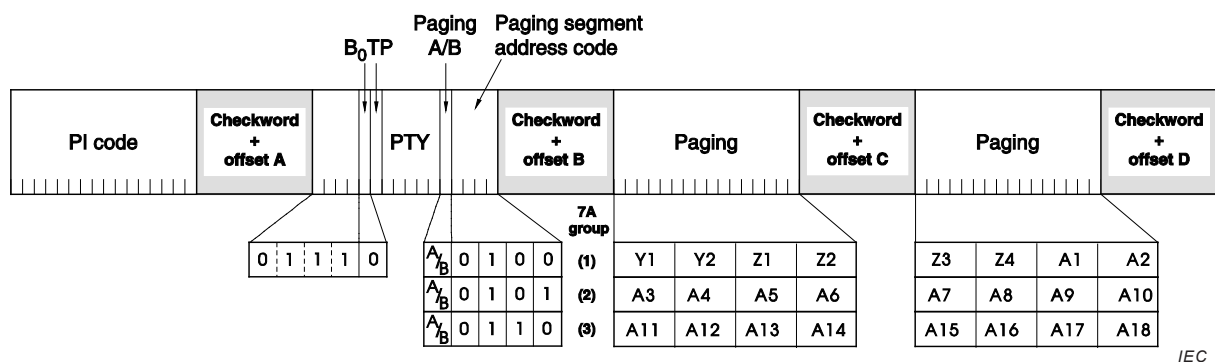


Figure M.4 – Group type 7A paging with an additional 18 digit message

The paging segment address code is used to indicate the contents of blocks 3 and 4 in respective groups, as indicated in Table M.3.

Table M.3 – Paging segment address codes for 10 and 18 digit messages

T ₃	T ₂	T ₁	T ₀	Contents of blocks 3 and 4
				10 digit message:
0	0	1	0	Group and individual code Y1Y2 Z1...Z4 plus message digits A1...A2
0	0	1	1	Message digits A3...A10
				18 digit message:
0	1	0	0	Group and individual code Y1Y2 Z1...Z4 plus message digits A1...A2
0	1	0	1	Message digits A3...A10
0	1	1	0	Message digits A11...A18

Y1Y2 denotes the group code

Z1...Z4 denotes the individual code within the group

Y_n and Z_n denote BCD-coded digits 0 ... 9

A1...A18 denotes the numeric message
 An denotes a hexadecimal character 0 ... A
 Hexadecimal A is used to indicate a space character in the message

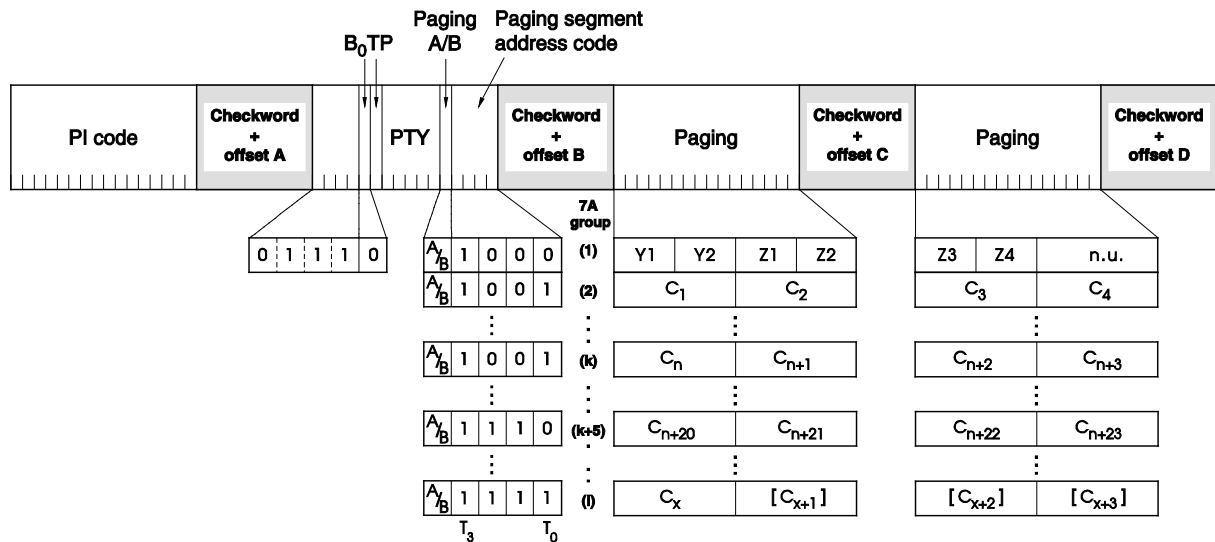
A new or repeated call is marked by altering the "paging A/B" flag.

M.2.5.4 Paging with an additional alphanumeric message

The additional message is transmitted in consecutive 7A groups. Other group types may be transmitted in between:

Other group types	7A group	Other group types	7A group	Other group types	7A group ... etc.
	1		2		3

Each of the groups contains 4 characters coded in 8 bit as shown in Figure M.5.



IEC

Figure M.5 – Group type 7A paging with an additional alphanumeric message

The paging segment address code is used to indicate the contents of blocks 3 and 4 in respective groups, as indicated in Table M.4.

Table M.4 – Paging segment address codes for alphanumeric messages

T ₃	T ₂	T ₁	T ₀	Contents of blocks 3 and 4
1	0	0	0	Group and individual code Y1Y2 Z1 to Z4
1	0	0	1	Message characters C _n ...C _{n+3}
1	0	1	0	Message characters C _{n+4} ...C _{n+7}
1	0	1	1	Message characters C _{n+8} ...C _{n+11}
1	1	0	0	Message characters C _{n+12} ...C _{n+15}
1	1	0	1	Message characters C _{n+16} ...C _{n+19}
1	1	1	0	Message characters C _{n+20} ...C _{n+23}
1	1	1	1	End of alphanumeric message: last four or fewer message characters

Paging segment address code is repeated cyclically 1001 ... 1110 for every 24 characters of the message transmitted (*n* is increased by 24 for each cycle).

The end of message is indicated by the transmission of paging segment address code 1111 or by a new call (indicated by altering the "paging A/B" flag).

The maximum length of message is 80 characters.

- Y1Y2 denotes the group code
- Z1...Z4 denotes the individual code within the group
- Y_{*n*} and Z_{*n*} denote BCD-coded digits 0 ... 9
- C_{*n*}...C_{*n*+23} denotes a message character coded in 8 bit according to Annex E, Table E.1
- n.u. 8 last bits of block 4 of Group 1 not used

M.2.5.5 International paging with an additional numeric 15 digit message

The additional numeric message is transmitted in two 7A groups following the first 7A group of the call. Other group types may be transmitted in between, as indicated in Figure M.6.

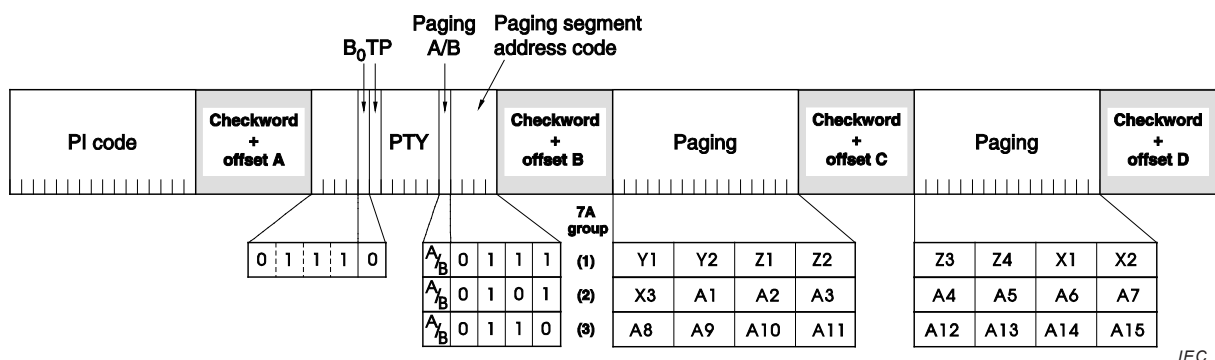
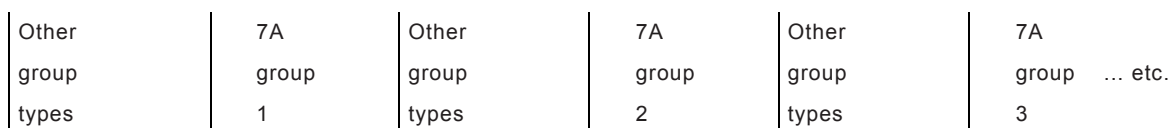


Figure M.6 – Group type 7A paging with an additional international 15 digit message

The paging segment address code is used to indicate the contents of blocks 3 and 4 in respective groups, as indicated in Table M.5.

Table M.5 – Paging segment address codes for international 15 digit messages

T ₃	T ₂	T ₁	T ₀	Contents of blocks 3 and 4 International 15 digit message
0	1	1	1	Group and individual code plus country code digits 1 and 2
0	1	0	1	Country code digit 3 plus additional information digits 1 to 7
0	1	1	0	Additional information digits 8 to 15

- Y1Y2 denotes the group code
- Z1...Z4 denotes the individual code
- X1...X3 denotes the country code according to ITU-T Recommendation E.212

X_n, Y_n and Z_n denote BCD-coded digits 0 ... 9

$A_1...A_{15}$ denotes the additional numeric message

A_n denotes a hexadecimal character 0 ... A.

Hexadecimal A is used to indicate a space character in the message.

A new or repeated call is marked by altering the "paging A/B" flag.

M.2.5.6 Functions message in international paging

The functions message is transmitted in one 7A group following the first 7A group of the call. Other group types may be transmitted in between, as indicated in Figure M.7.

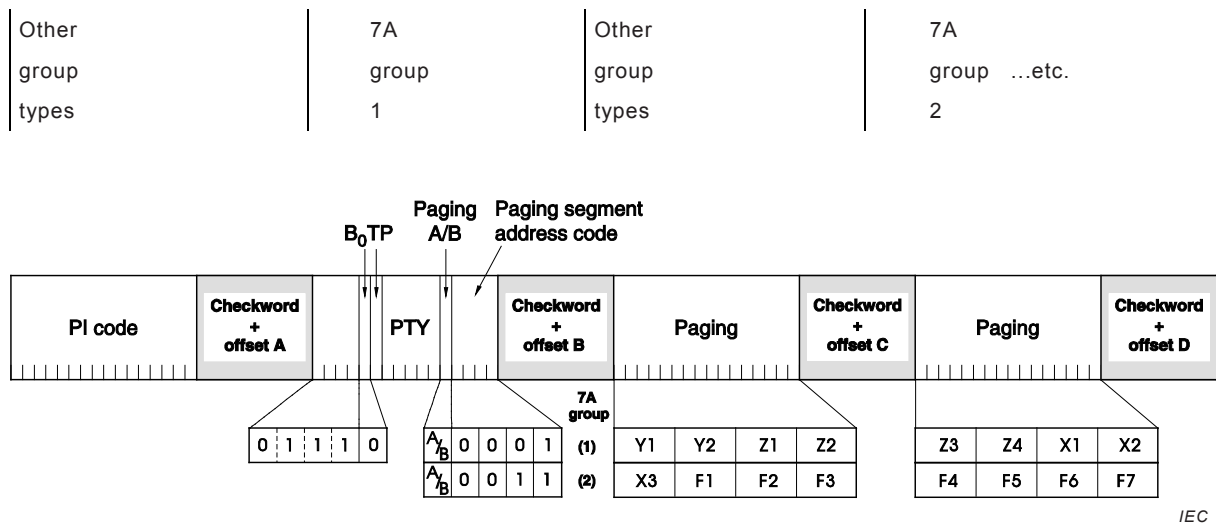


Figure M.7 – Functions message in international paging

The paging segment address code is used to indicate the contents of blocks 3 and 4 in the respective groups, as indicated in Table M.6.

Table M.6 – Paging segment address codes for functions message

T_3	T_2	T_1	T_0	Contents of blocks 3 and 4 Functions message
0	0	0	1	Group and individual code plus country code digits 1 and 2
0	0	1	1	Country code digit 3 plus functions message numbers 1 to 7

Y_1Y_2 denotes the group code

$Z_1...Z_4$ denotes the individual code

$X_1...X_3$ denotes the country code according to ITU-T Recommendation E.212

X_n, Y_n and Z_n denote BCD-coded digits 0 ... 9

$F_1...F_7$ denotes the functions message (e.g. for future applications such as control of paging receivers)

F_n denotes a hexadecimal character 0 ... F

A new or repeated functions message is marked by altering the "paging A/B" flag.

M.3 Enhanced paging

M.3.1 General

Beside the paging system described in Clause M.2 that will be referred to as "basic paging", this clause introduces an "enhanced paging" protocol keeping the compatibility with the existing one.

The aim of enhanced paging protocol is to upgrade the battery life time of the pager, as well as easily permit regional and international paging, multi-operator and multi-services operation.

M.3.2 Multi-operator/area paging

M.3.2.1 General

In order to offer real international paging services, it is important to identify completely the country during channel locking, and so to use the extended country code (ECC) as defined in the 1A group, variant 0.

An OPERator Code (OPC) is used to allow different operators to provide a paging service in the same country, as well as a Paging Area Code (PAC) which allows a paging service with a coverage different from a nation wide one.

OPC, PAC, ECC and country part of the PI code make up the system information (SI) and identify a unique network worldwide.

As Group Designation code is no longer used, the sharing of subscribers is still possible with PAC, nonetheless it is possible for **a same operator** to use on the **same network** basic **and** enhanced paging protocols. In this case group designation is only relevant for pagers using basic protocol.

Several ways of transmitting system information (SI) are possible and may be alternatively used on the same network either at the operator's choice or for compatibility of the paging protocol with other applications. By using the group type 1A block 4 to transmit SI information, setting to zero the day of the month, then the rest of the block will not be interpreted by receivers using PIN and thus is free for radio paging information.

Note that this coding of block 4 applies to all variants of type 1A groups.

For efficient scanning and channel locking of the receivers, SI shall be transmitted as often as possible and to preserve compatibility with existing paging systems, 1A groups sent as second markers will be used.

M.3.2.2 Paging area code

This code is defined for each country and operator. Six bits are assigned to enable the definition of 63 paging service areas.

The figure zero transmitted by an encoder means it sends messages for all paging areas of the paging service provider, and the figure zero assigned to a pager means that it belongs to all paging service areas and as a consequence does not need to look for PAC information.

M.3.2.3 Operator code

OPC allows to have more than one operator to function in a country. Within a country, each operator shall have its own unique code. OPC is coded on four bits to allow 15 operators.

The figure zero is not valid for an operator, and means that the enhanced paging protocol is not implemented on the channel (see Footnote ^a to Figure M.10).

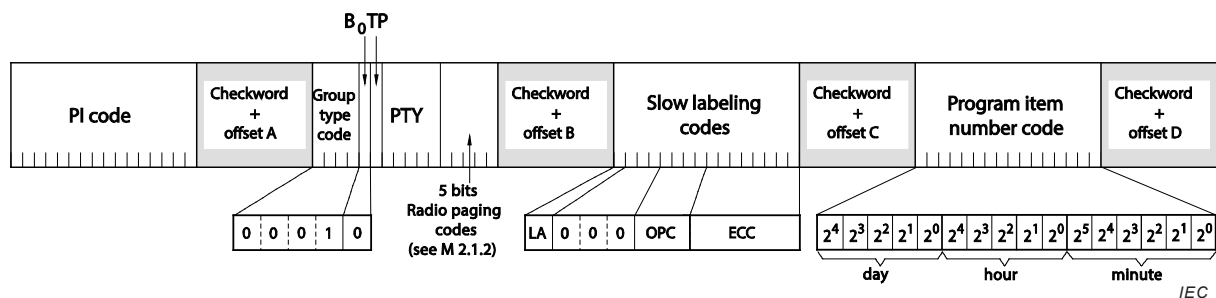
M.3.2.4 Extended country code

In order to uniquely define each country for enhanced international service, ECC is used as defined in the 1A group, variant 0.

For the majority of pagers which are used in national mode, checking the country part of the PI code will be sufficient for channel locking, full ECC being checked in a second step, especially for pagers set in international mode.

M.3.2.5 Description of usage of 1A group variants for paging

M.3.2.5.1 Use of 1A variant 0 when PIN information is transmitted



The 5 bit radio paging codes to be used here are defined in M.2.1.2.

Figure M.8 – Variant 0 of 1A group with PIN

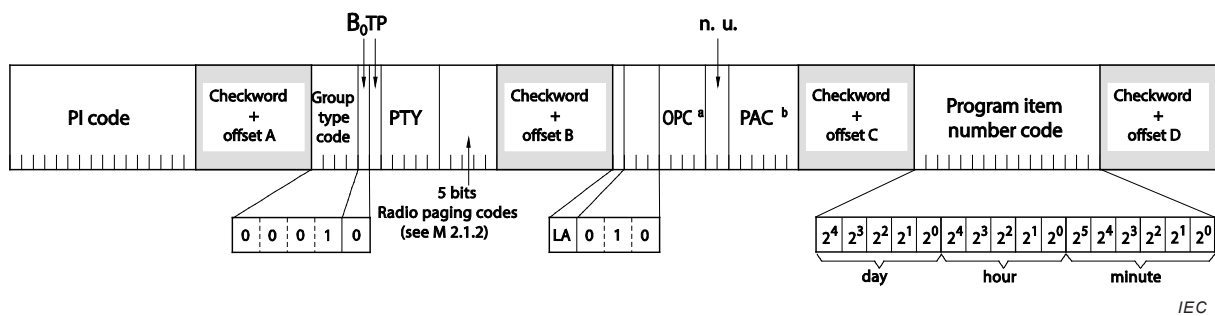
The 1A group, variant 0 is defined for transmitting ECC which is part of the paging system information. The four bits 2^{11} to 2^8 of the slow labelling code (see Figure M.8 and Figure M.10a) which are used to transmit the operator code (OPC).

It is important that broadcasters using type 1A group, variant 0, without transmitting paging, set these four bits to zero.

Pagers for which PAC is set to zero do not need any more information than that contained in block 3 of variant 0 and PI's country part to lock to a channel.

M.3.2.5.2 Use of 1A variant 2 when PIN information is transmitted

The coding of group type 1A, variant 2, for the five bit radio paging codes (see M.3.2.1) is shown in Figure M.9.



^a OPC: Operator code (see M.3.2.3). If these four bits are set to 0, it indicates that there is no enhanced paging service on the channel.

^b PAC: Paging area code (see M.3.2.2).

n.u. = not used.

The 5 bit radio paging codes to be used here are defined in M.2.1.2.

Figure M.9 – Variant 2 of 1A group with PIN

Variant 2 is dedicated to paging and will transmit OPC and PAC.

The four bits 2^{11} to 2^8 of the slow labelling code (see Figure M.9 and Figure M.10b) transmit the OPC as in variant 0.

The two bits 2^7 to 2^6 of the slow labelling code (see Figure M.9 and Figure M.10b) are set to zero, and shall be ignored by the pager.

All values are reserved for future use.

The six bits 2^5 to 2^0 of the slow labelling code (see Figure M.9 and Figure M.10b) transmit the PAC.

M.3.2.5.3 Use of PIN field when no valid PIN information is transmitted

By setting to zero the five first bits (day information bits) of block 4, all receivers except enhanced protocol pagers will disregard the rest of the block which does not represent valid PIN information.

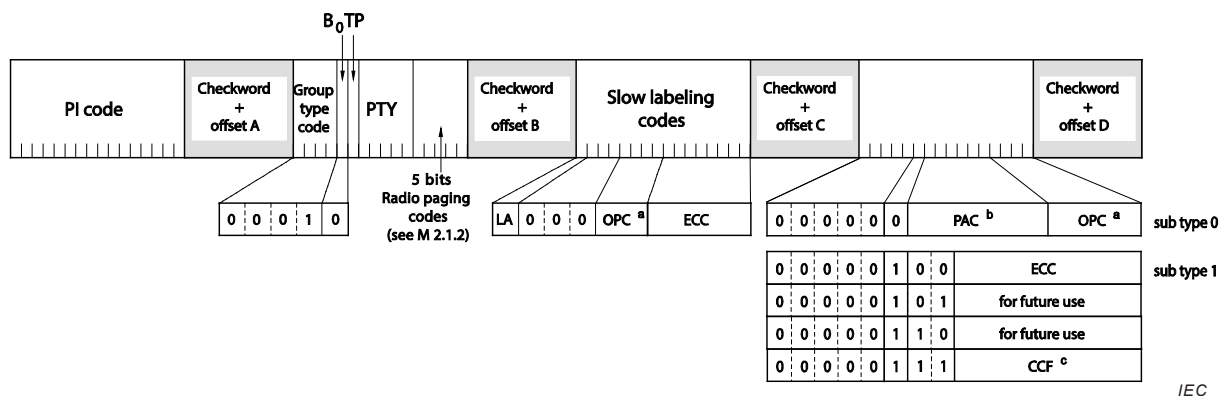
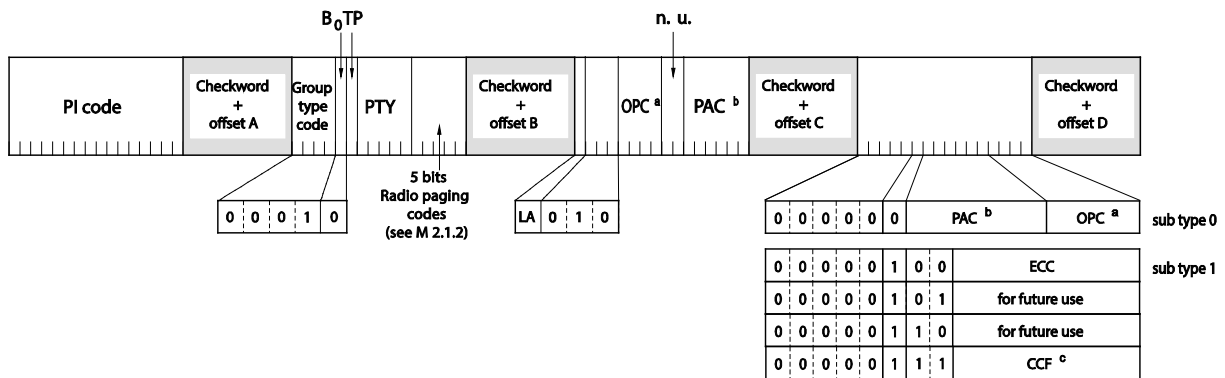


Figure M.10a – Variant 0 of 1A group without PIN



IEC

Figure M.10b – Variant 2 of 1A group without PIN

The 5 bit radio paging codes to be used here are defined in M.2.1.2.

- ^a OPC: Operator code (see M.3.2.3). If these 4 bits are set to 0, it indicates that there is no enhanced paging service on the channel.
- ^b PAC: Paging area code (see M.3.2.2).
- ^c CCF = Current carrier frequency. This code represents the frequency value of the carrier to which the receiver is locked according to AF (see 6.2.2.6.1).

Figure M.10 – Variants of 1A group without PIN

The eleven remaining bits are used to transmit the paging system information. This gives an efficient tool to preserve compatibility with applications requiring other 1A variants.

Bit 2⁴ (hour information field of Figure M.9) is now used to define a subtype:

if set to 0, the rest of the block transmits PAC in bits 2³ to 2⁰ (hour information field of Figure M.9) and in bits 2⁵ to 2⁴ (minute information field of Figure M.9), and OPC in bits 2³ to 2⁰ (minute information field of Figure M.9);

if set to 1, bits 2³ to 2² (hour information field of Figure M.9) are used to define a sub-usage code, as stated in Table M.7.

Table M.7 – Sub-usage codes

2 ³	2 ²	Usage of the remaining 8 bits
0	0	Transmit ECC
0	1	Reserved for future use, shall be set to zero
1	0	Reserved for future use, shall be set to zero
1	1	Transmit CCF

M.3.2.6 Compatibility with other RDS applications and timing of 1A groups

M.3.2.6.1 General rule

If no other RDS application using 1A group is broadcast on the network, it is strongly recommended to use variant 2 of the 1A group. The following paragraph explains the different possibilities.

M.3.2.6.2 Compatibility and timing of 1A groups

M.3.2.6.2.1 General

Group type 4A is transmitted at the start of every minute. Group type 1A is transmitted at least once per second. The OPC code is transmitted in blocks 3 and 4 in order to allow receivers to process a fast locking on or a fast leaving of the channel in case variants of 1A groups, different from 0 and 2, are transmitted.

A pager using enhanced protocol may alternatively find the relevant system information (SI) in 1A group variant 0, 1A group variant 2 or in block 4 of any 1A group when no PIN is broadcast. This protocol allows to remain compatible with other applications as recommended below.

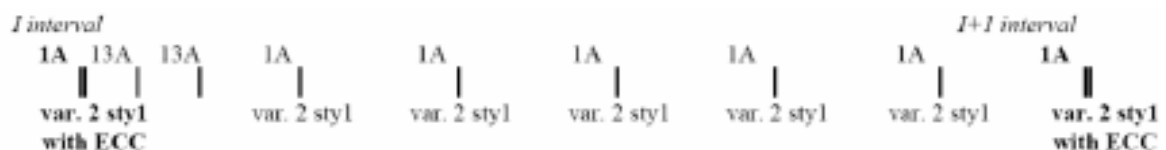
M.3.2.6.2.2 General remarks

- 1) *Var. means variant, sty means subtype.*
- 2) *In case of interval 0, the first 1A group is replaced by a 4A group. For M.3.2.6.2.5 and M.3.2.6.2.6, variant 0, subtype 0 is obligatory for 1A group as second marker.*
- 3) *It is recommended to insert at least one type 1A group, variant 2, subtype 1 with ECC, or one type 1A group, variant 0, subtype 0 per interval as first marker, or as second marker for interval 0.*
- 4) *1B groups are broadcast with valid PIN in order to respect the 0,5 s repetition time.*
- 5) *When two 1B groups are broadcast between two 1A groups, the first one shall be as close as possible to the first 1A or 4A groups, and the second one shall be as close as possible to the second 1A or 4A groups.*
- 6) *1B groups are 0,5 s apart from 1A groups.*
- 7) *The use of 1A group, variants 0 or 2 during the broadcasting of the PIN is obligatory, which means that the compatibility with other applications is restricted during this period (<2 s).*
- 8) *13A groups are optional and are represented here for information only.*

M.3.2.6.2.3 Network not using PIN nor other variants of 1A group

SI is transmitted in 1A group variant 2 (ECC in block 4).

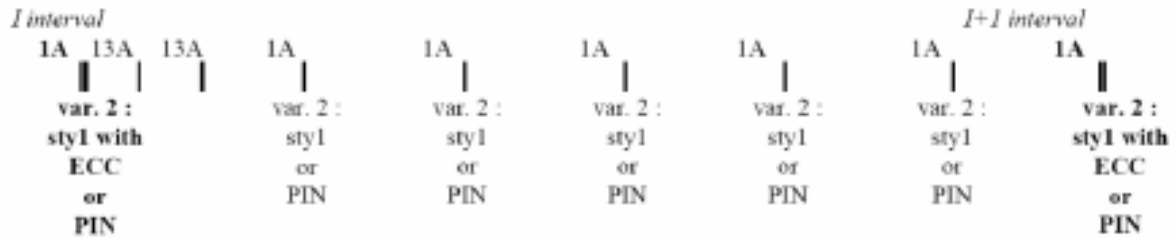
Start of:



M.3.2.6.2.4 Network using PIN but no other variants of 1A group

When no PIN information is valid, SI is transmitted in 1A group variant 2. When valid PIN information is present, SI is transmitted in 1A group variant 2, but ECC is not available.

Start of:

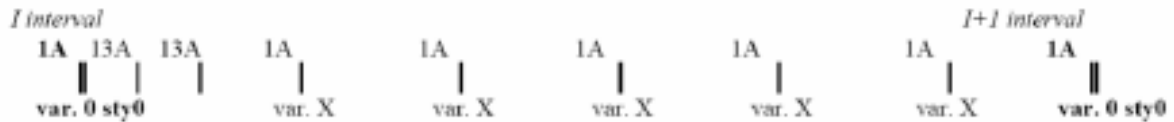


M.3.2.6.2.5 Network not using PIN but other variants of 1A group

A mixing of 1A group, variant 0 and variant X (X ≠ 0) will be used according to each system's requirements.

Beginning of a paging interval is always using a 1A group, variant 0, the PIN field is used to transmit SI when other variants of the 1A group are transmitted.

Start of:



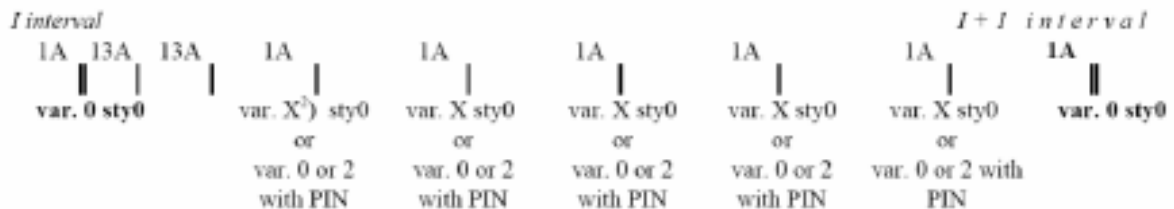
The following explanation applies to the Figures above.

- If X ≠ 0 and X ≠ 2, subtype shall be 0 in block 4.
- If X = 0, subtype can be either 0 or 1 interleaved.
- If X = 2, subtype shall be 1.
- var. x sty x means variant x, subtype x.

M.3.2.6.2.6 Network using PIN and other variants of 1A group

A mixing of the above two methods is used, the only constraint being to transmit OPC every second, PAC each two seconds and ECC at least once in the interval.

Start of:



NOTE X ≠ 0 and X ≠ 2.

M.3.2.7 Services using multi-operator/area

Knowing that operator and area are coded individually, a pager can select the right network without any risk of error. Combinations of different operators and/or areas are possible by programming SI for all the elementary services in the pager.

M.3.2.8 Locking criteria

The pagers designed to be used with this new enhanced paging protocol shall ignore the criteria described in M.2.3 and M.2.4, and respect the following ones.

- The pager searches for one of the offset words A...D. When this is found, it searches for the next expected offset word at a distance of: n times 26 bit, $n = 1 \dots 6$. When two offset words have been found, the pager is synchronized to both block and group. After block and group synchronization, the pager shall find the correct system information (country part of the PI code, operator code and paging area code in the national mode, country part of the PI code, extended country code and operator code in international mode). Otherwise, the pager shall leave the channel.
- The pager shall leave the channel within 1 s if OPC (1A group) is set to 0.
- When scanning the frequency band, block and group synchronization shall occur within 1 s and correct system information shall be found within 2 s after block and group synchronization. Otherwise, the pager shall leave the channel.

Note that if PIN is broadcast at the same time, the pager shall find the correct SI within 3 s after block and group synchronisation.

- When locking to the channel after battery saving mode, block and group synchronization and the reception of the correct system information shall occur within 2 s. Otherwise, the pager shall leave the channel.
- When locking to the channel after battery saving mode, the reception of the parity of the minute for pagers operating in the 120 s cycle mode shall occur within 6 s.

M.3.2.9 Loss of synchronization

When 43 out of the last received 45 blocks have a syndrome different from 0 (for the respective offset words), the channel locking is lost and the pager shall scan the band for a better channel.

If the system information is no longer in accordance with the one programmed in the pager, the pager shall leave the channel and scan the band for a new one.

M.3.2.10 International paging

M.3.2.10.1 General

To be able to receive international calls, the user shall activate the pager's international mode. The pager contains a list of countries covered by the user's subscription with the relevant operator codes.

Because the user can forget to activate the pager's international mode, it is recommended that the pager first check ECC before displaying the first message after locking.

M.3.2.10.2 Selection of the channel

To select the correct channel, the pager shall check the full SI. These codes, broadcast in 1A groups, are stored in a table which indicates to the pager which local operator provides the international connection with its own paging service provider.

M.3.2.10.3 International alphanumeric/variable length numeric or function messages

Figure M.17, Figure M.18 and Figure M.19 describe the new international message format. The pager shall check the 6-digit national address + the 3-digit country code (according to ITU-T Recommendation E.212) + the 4-bit OPC code, which together define its unique international address. This OPC code is the original one (from the national paging service provider) and has no link with the one broadcast in the 1A group.

M.3.3 Extension of paging addressing mode

The basic paging system allows 1 million addresses. Knowing that pagers have 2 or more addresses, and that the transmitter network group designation can limit the use of the address range, the coding is extended using hexadecimal coding instead of BCD coding. Only the digit Z4 (see M.2.5.2) of the individual address remains BCD-coded to keep the compatibility with interval numbering.

Thus the new total capacity becomes: $16^5 \times 10 = 10\,485\,760$ addresses.

This extension can be implemented on existing network independently of the other enhanced features, but shall be introduced in case of enhanced paging protocol implementation.

For basic paging protocol, the group designation code assignment is described in Table M.8.

Table M.8 – Group designation codes

B ₄	B ₃	B ₂	Group codes	Percentage
0	0	0	No basic paging on channel	
0	0	1	00 to FF	100
0	1	0	00 to 3F + A0 to DF	50
0	1	1	40 to 9F + E0 to FF	50
1	0	0	40 to 6F + E0 to EF	25
1	0	1	70 to 9F + F0 to FF	25
1	1	0	00 to 1F + A0 to BF	25
1	1	1	20 to 3F + C0 to DF	25

M.3.4 Battery saving mode

M.3.4.1 Overview

The principle of the battery saving mode described in M.2.2.2 is based on a time division of 10 intervals per minute during which only the pagers belonging to the transmitted interval (in accordance with digit Z4 of its individual code (see M.2.5.2)) are activated. The enhanced protocol provides tools to dramatically improve the performances achieved with basic paging in this field.

M.3.4.2 Message notification/13A groups subtype description

M.3.4.2.1 General

The 13A group is organised in subtypes. Subtypes 0, 1 and 2 are transmitted at the beginning of each interval (just following the first 1A group). This group informs the pager of the possibility of presence of messages: if there is no message, the pager can immediately enter the battery saving mode instead of waiting until the end of its interval.

If the pager misses the 13A group, it shall follow the rules described in M.3.5.

By transmitting the number of the current interval at the beginning of the interval instead of collecting it in many 1A groups, the acquisition can be optimised, thus improving the battery life time.

M.3.4.2.2 Message notification

Each pager is identified by a group code Y1Y2 followed by an individual code Z1Z2Z3Z4 (see M.2.5.2).

The last digit Z4 indicates the interval number. The Z2Z3 digits determine a subgroup for message notification to which a pager belongs. Thus, 256 subgroups have been defined (00-FF).

For a given interval and a given minute, the 256 subgroups are represented by 50 bit transmitted in two 13A groups, each bit indicating if a message for at least one pager belonging to the corresponding subgroup will be transmitted during the considered interval. However, one 13A group can be used instead of two, if type 7A group traffic is important, which is the case for alphanumeric messages. In that case, only 25 notification bits are used.

In the worst case of traffic, it is even possible to skip 13A group transmission.

The correspondence between the hexadecimal-coded Z2Z3 digits and the address notification bit, is given in the Table M.17, Table M.18 and Table M.19.

The address notification bit is set to 1 if at least one pager belonging to a subgroup attached to this notification bit will receive a message, otherwise, the address notification bit is set to 0.

M.3.4.2.3 Subtype description

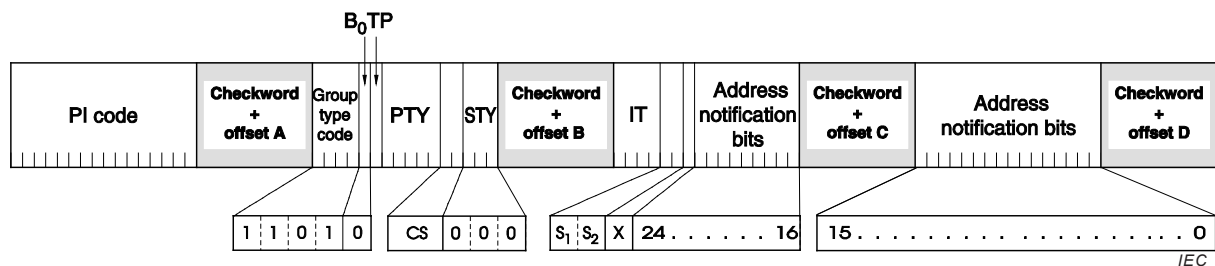


Figure M.11a – Subtype 000 – Group type 13A

Three Subtypes of Group type 13A are used as shown in Figure M.11a and Figure M.11b.

Group 13A, subtype 000, is used only when 25 address notification bits (one 13A group) are used. This group is located immediately after the 1A group starting the interval.

STY denotes the subtype of the group.

X is reserved for future use.

Table M.9 shows the **CS** (cycle selection) codes. They denote the parity of the minute if a 2 min cycle is implemented, and indicate if only a 1 min cycle or a mixing of both (1 min and 2 min cycle) is implemented.

Table M.9 – Cycle selection codes

CS		
0	0	1 min cycle
0	1	reserved for future use
1	0	2 min cycle or mixed (even)
1	1	2 min cycle or mixed (odd)

IT denotes the paging interval numbering.

The message sorting codes in Table M.10, S₁ and S₂, indicate whether messages are sorted or not.

Table M.10 – Message sorting codes

S ₁	S ₂	
0	0	Not sorted
0	1	Reserved for future use
1	0	Sorted in ascending order
1	1	Sorted in descending order

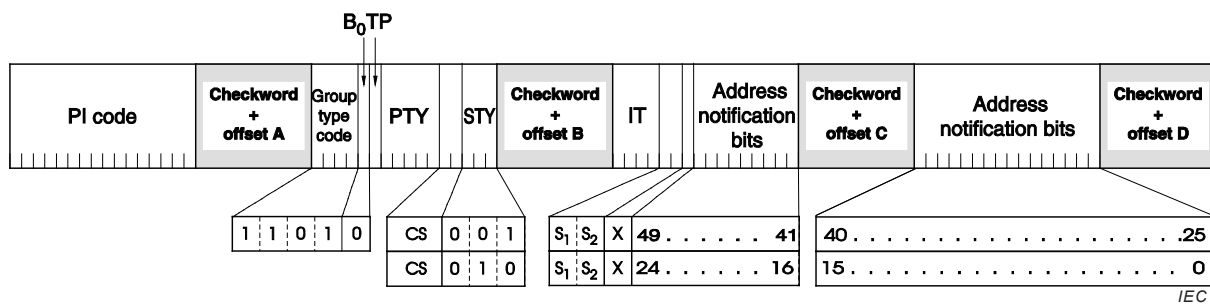


Figure M.11b – Subtype 001 and 010 – Group type 13A

The 13A group, subtype 001, is used when 50 address notification bits (two 13A groups) are used. This group is located immediately after the 1A group starting the interval and represents high order notification bits.

Group 13A, subtype 010, is the second of the two 13A groups when 50 address notification bits (two 13A groups) are used. This group is located immediately after the 13A group, subtype 001, and represents low order notification bits.

Figure M.11 – Group type 13A

Warning

The address notification bits do not refer to the same pagers subgroups in subtypes 000 (25 bit) and 001 with 010 (50 bit).

The subtype 011 will be used to carry information for value added services (VAS) pagers.

M.3.4.3 One or two minute cycles

M.3.4.3.1 Cycle structure

A 120 s or 60 s main cycle is used depending on the pager programming. A pager operating on a 120 s cycle wakes up from battery saving mode once every 2 min either during an even or odd minute according to its Z3 digit (see M.3.6). A pager operating on a 60 s cycle wakes up from battery saving mode once every minute.

The 1A group cycle structure is described in M.3.2.6.

If no 13A group is broadcast or if the receiver cannot decode the CS correctly, 1 min cycle time has to be followed.

M.3.4.3.2 Priority between the different kinds of group

When 13A groups are used, they shall follow immediately the 1A or 4A group (subtypes 000, subtypes 001 or 010).

Either zero, one or two 13A groups may be used, and this number may be changed dynamically by the operator or encoder as a function of paging traffic.

13A groups will be inserted automatically by encoders.

M.3.4.3.3 Loss of interval synchronization

The pager shall be considered to have lost its interval synchronization if any of the following criteria is fulfilled:

- if there is a paging call within the pager's own interval to a pager not belonging to the interval or the two preceding intervals; or
- the interval value received from a 13A or 1A groups is not the one expected; or
- the parity of the minute is not the one expected for 2 min cycle receivers.

M.3.4.4 Organisation of the messages within an interval

At the broadcaster's discretion messages may be sent in random order or with the individual address value of the pager sorted, 2 min in ascending order and 2 min in descending order. A pager may enter battery saving mode when its address has been passed.

M.3.4.5 Battery saving mode criteria

The pagers designed to be used with this new enhanced paging protocol shall ignore the criteria described in M.2.2.2.

The pager may enter the battery saving mode after the start of its own interval if any of the following criteria is fulfilled:

- if at least 10 groups differing from the 7A group have been received;
- if a paging call, belonging to an interval different from the pagers' own and the two preceding intervals, has been received;
- after the start of the third interval after its own interval;
- if the address notification bits in the beginning of the interval in the 13A subgroup types 000, 001 or 010 corresponding to the pager's address are set to zero and the related 13A groups have been received correctly;
- if at least one paging call having an individual address value below or above the pager's own (according to the sorting order) has been received.

M.3.5 Group type 7A message format

M.3.5.1 General

The group type 7A message format is as described in M.2.5, without any change. Table M.2 is extended to new types of messages, as shown in Table M.11.

Table M.11 – Codes for message types

T ₃	T ₂	T ₁	T ₀	Message contents
0	0	0	0	No additional message
0	0	0	1	Part of functions message
0	0	1	X	10 digit numeric message or part of functions message
0	1	X	X	18 digit numeric message or 15 digit numeric message in international paging
1	X	X	X	Variable-length message
1	1	1	1	Last group of a variable-length message
<i>X indicates state 0 or 1</i>				
If variable-length (numeric, international numeric, international alphanumeric, functions, international functions) or tone-only paging calls are received by pagers designed according to the specification EN 50067:1992 [21] then incorrect displays of messages may result.				

M.3.5.2 Paging without additional message: Tone-only message

The first 7A group segment (1) of a tone-only message is shown in Figure M.12.

The value of the control byte X1X2 is: 0 0 0 R P3 P2 P1 P0 (see Table M.12).

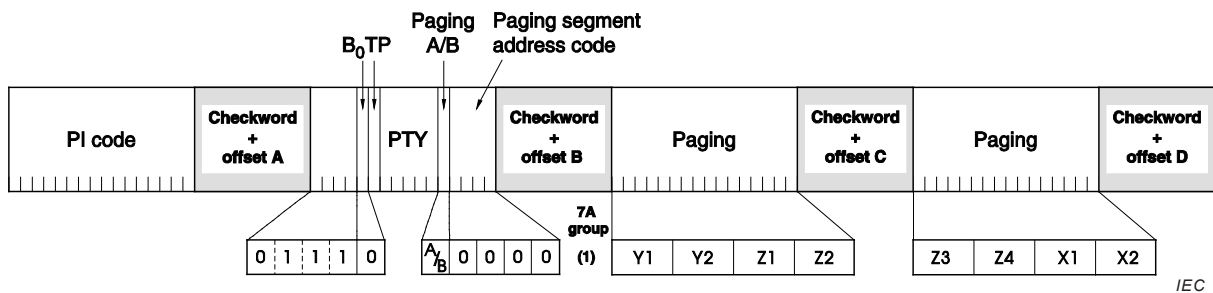


Figure M.12 – Group type 7A paging with tone-only message

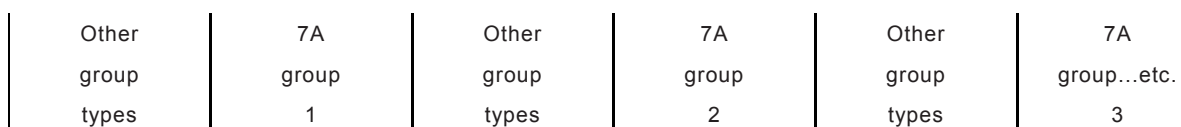
- Y1Y2 denotes the group code
- Z1 ... Z4 denotes the individual code within the group
- X1X2 denotes the control byte
- Z4 BCD-coded digit 0 ... 9
- X_n, Y_n and Z1...Z3 hexadecimal character 0 ... F

The paging segment address code for segment (1), used to indicate the contents of blocks 3 and 4, is 0000. The control byte X1X2 is defined in M.3.5.3.

M.3.5.3 Paging with additional variable-length message

The first 7A group segment (1) of a variable length message is shown in Figure M.13.

The additional message is transmitted in consecutive 7A groups. Other group types may be transmitted in between.



The contents of each group is relative to the type of the variable-length message.

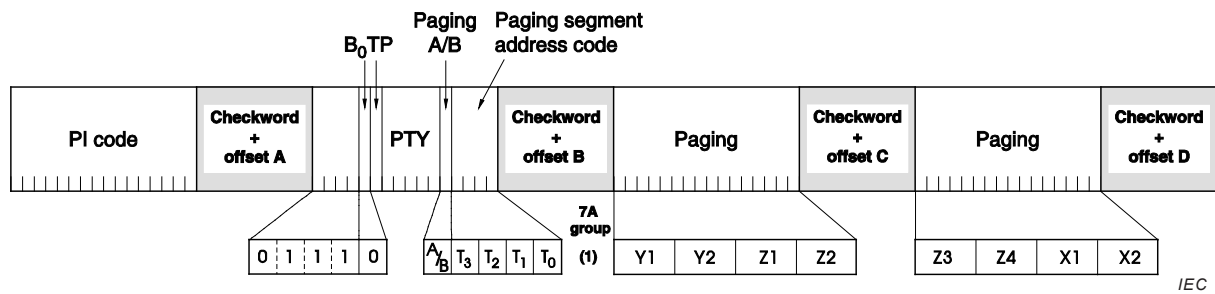


Figure M.13 – First 7A group of a variable-length message

- Y1Y2 denotes the group code
- Z1...Z4 denotes the individual code within the group
- X1X2 denotes the control byte
- Z4 BCD-coded digit 0 ... 9
- Xn, Yn and Z1...Z3 hexadecimal character 0 ... F

The control byte is used to indicate the type of the variable-length message. It also includes a paging call counter and a paging call repetition flag.

Table M.12 – Description of the control byte

Paging segment address code (in the second block of each 7A group)				Control byte X1X2 (last byte of the fourth block of the first 7A group)								Type of the message
T ₃	T ₂	T ₁	T ₀	9	10	11	12	13	14	15	16	
0	0	0	0	E ₂	E ₁	E ₀	R	P ₃	P ₂	P ₁	P ₀	Tone-only message
1	X	X	X	0	0	NI	R	P ₃	P ₂	P ₁	P ₀	Alphanumeric message
1	X	X	X	0	1	NI	R	P ₃	P ₂	P ₁	P ₀	Variable-length numeric message
1	X	X	X	1	0	NI	R	P ₃	P ₂	P ₁	P ₀	Reserved for future use
1	X	X	X	1	1	NI	R	P ₃	P ₂	P ₁	P ₀	Variable-length functions message

- Bits 9 and 10 denote the type of the variable-length message
- NI denotes the national/international bit
 - NI = 0: National message
 - NI = 1: International message
- R denotes the paging call repetition flag, detailed in Table M.13
- P₀ ... P₃ denote the paging call counter
- E₂, E₁, E₀ denote the extended message field for tone-only messages. Use according to operator's definition.

Table M.13 – Use of paging call repetition flag

Bit 12 (R)	Description
0	Indicates the original (first time) transmission of a paging call, or that the repetition flag is not implemented.
1	Indicates the repetition of an already transmitted paging call.

Bits 13-16, designated as P3-P0, form the paging call counter. The counter is individual to each receiver address number, and is incremented by 1 every time a call is initially sent to the receiver address number, independent of the message type used. When the call is repeated, the counter shall have the same value as originally sent.

Note that the receiver address number is the group code + the individual code = Y1Y2Z1Z2Z3Z4.

The paging call counter may be used in the receiver to indicate that no messages have been lost.

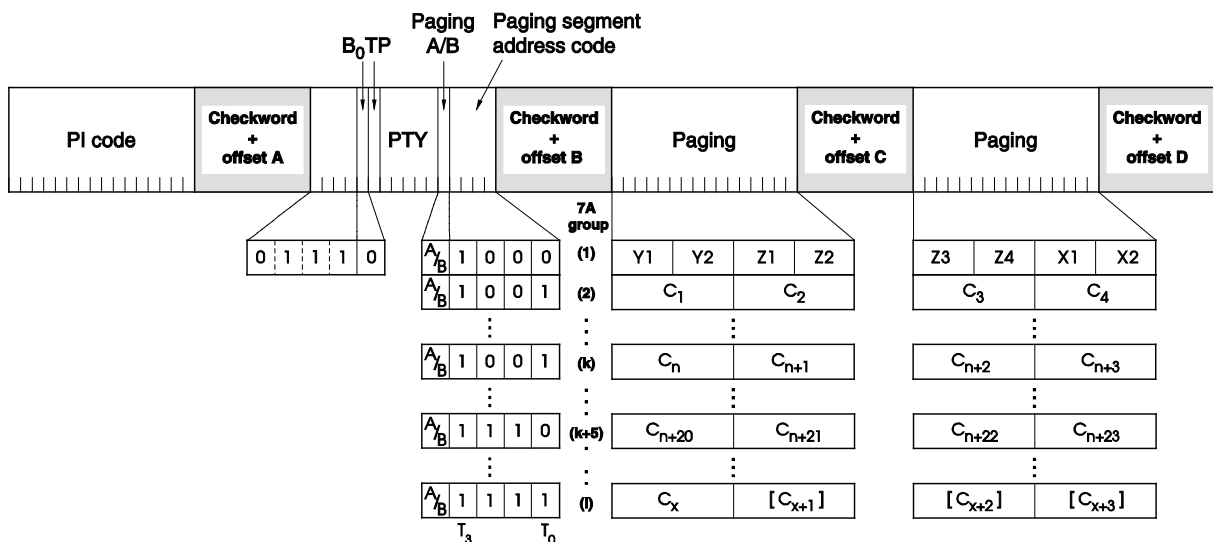
Valid values for the paging call counter are 1 to 15, while the value 0 is used when the paging call counter is not implemented. The paging call counter is used in a loop so that value 1 will follow after value 15.

M.3.5.4 National paging with additional alphanumeric message

The 7A group sequence (1) to (l) of a national paging message with additional alphanumeric information is shown in Figure M.14.

The value of the control byte X1X2 is: 0 0 NI R P3 P2 P1 P0 with NI = 0.

Each of the groups contains 4 characters coded in 8 bit each.



IEC

Figure M.14 – Group type 7A national paging with additional alphanumeric message

The paging segment address code is used to indicate the contents of blocks 3 and 4 in respective groups, as indicated in Table M.14.

Table M.14 – Paging segment address codes for alphanumeric message

T_3	T_2	T_1	T_0	Contents of blocks 3 and 4
1	0	0	0	Group and individual code Y1Y2 Z1 to Z4 and control byte X1X2
1	0	0	1	Message characters $C_{n...}C_{n+3}$
1	0	1	0	Message characters $C_{n+4...}C_{n+7}$
1	0	1	1	Message characters $C_{n+8...}C_{n+11}$
1	1	0	0	Message characters $C_{n+12...}C_{n+15}$
1	1	0	1	Message characters $C_{n+16...}C_{n+19}$
1	1	1	0	Message characters $C_{n+20...}C_{n+23}$
1	1	1	1	End of alphanumeric message: last four or fewer message characters

Paging segment address code is repeated cyclically 1001 ... 1110 for every 24 characters of the message transmitted (n is increased by 24 for each cycle).

End of message is indicated by the transmission of paging segment address code 1111 or by a new call (indicated by altering the "paging A/B" flag).

Recommended maximum length of message is 80 characters.

Y1Y2 denotes the group code
 Z1...Z4 denotes the individual code within the group
 X1X2 denotes the control byte
 Z4 BCD-coded digit 0 ... 9
 X_n, Y_n and Z1...Z3 hexadecimal character 0 ... F
 $C_{n...}C_{n+23}$ denotes a message character coded in 8 bit according to Table E.1.

M.3.5.5 National paging with additional variable-length numeric message

The 7A group segments (1) to (I) of a national paging message with additional variable length numeric information is shown in Figure M.15.

The value of the control byte X1X2 is: 0 1 NI R P3 P2 P1 P0 with NI = 0.

Each of the groups contains 8 digits coded in 4 bit each.

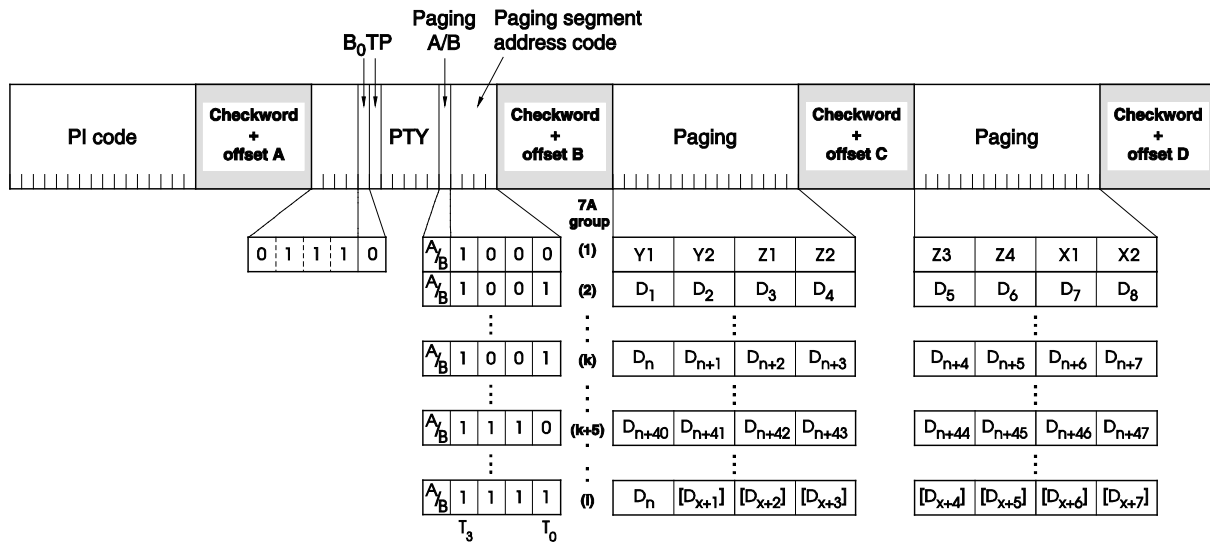


Figure M.15 – Group type 7A national paging with additional variable-length numeric message

The paging segment address code is used to indicate the contents of blocks 3 and 4 in respective groups, as indicated in Table M.15.

Table M.15 – Paging segment address codes for variable length numeric message

T ₃	T ₂	T ₁	T ₀	Contents of blocks 3 and 4
1	0	0	0	Group and individual code Y1Y2 Z1 to Z4 and control byte X1X2
1	0	0	1	Message digits D _n ...D _{n+7}
1	0	1	0	Message digits D _{n+8} ...D _{n+15}
1	0	1	1	Message digits D _{n+16} ...D _{n+23}
1	1	0	0	Message digits D _{n+24} ...D _{n+31}
1	1	0	1	Message digits D _{n+32} ...D _{n+39}
1	1	1	0	Message digits D _{n+40} ...D _{n+47}
1	1	1	1	End of variable-length numeric message: last eight or fewer message digits.

The paging segment address code is repeated cyclically 1001 ... 1110 for every 48 digits of the message transmitted (*n* is increased by 48 for each cycle).

End of message is indicated by the transmission of paging segment address code 1111 or by a new call (indicated by altering the "paging A/B" flag).

Recommended maximum length of message is 160 digits.

- Y1Y2 denotes the group code
- Z1...Z4 denotes the individual code within the group
- X1X2 denotes the control byte
- Z4 BCD-coded digit 0 ... 9

X_n, Y_n and $Z_1...Z_3$ hexadecimal character 0 ... F

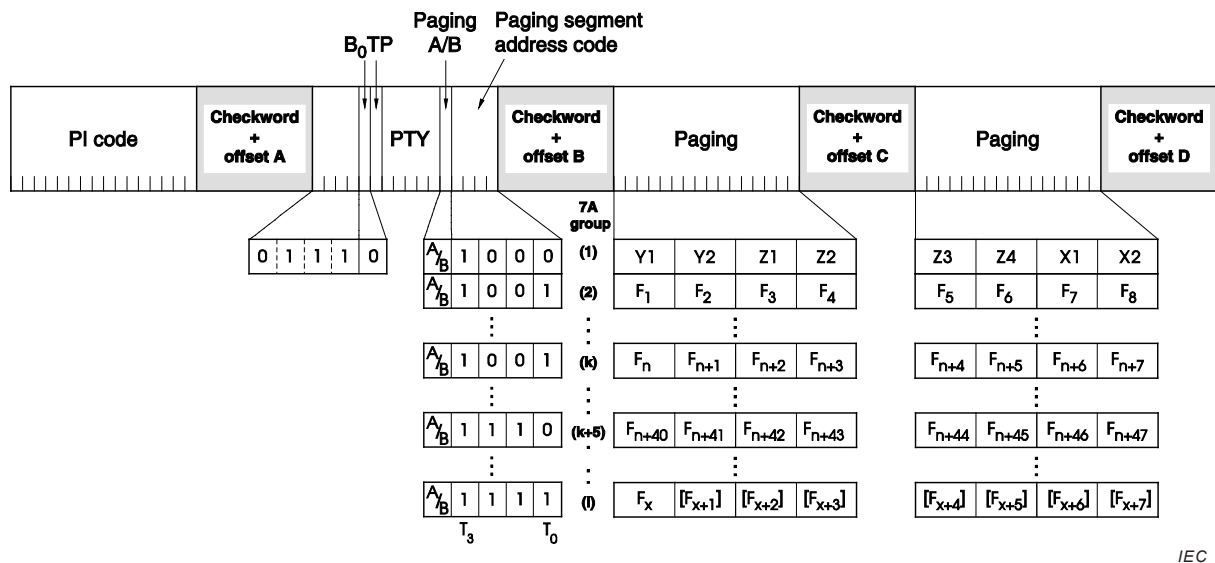
$D_n...D_{n+47}$ denotes a hexadecimal character 0 ... A

Hexadecimal A is used to indicate a space character in the message.

M.3.5.6 National paging with additional variable-length functions message

The 7A group segments (1) to (l) of a national paging message with additional alphanumeric information is shown in Figure M.16.

Each of the groups contains 8 digits coded in 4 bit each.



IEC

Figure M.16 – Group type 7A national paging with additional variable-length functions message

The paging segment address code is used to indicate the contents of blocks 3 and 4 in respective 7A groups, as indicated in Table M.16.

Table M.16 – Paging segment address codes for national paging with variable-length functions message

T ₃	T ₂	T ₁	T ₀	Contents of blocks 3 and 4
1	0	0	0	Group and individual code Y1Y2 Z1 to Z4 and control byte X1X2
1	0	0	1	Message digits F _n ...F _{n+7}
1	0	1	0	Message digits F _{n+8} ...F _{n+15}
1	0	1	1	Message digits F _{n+16} ...F _{n+23}
1	1	0	0	Message digits F _{n+24} ...F _{n+31}
1	1	0	1	Message digits F _{n+32} ...F _{n+39}
1	1	1	0	Message digits F _{n+40} ...F _{n+47}
1	1	1	1	End of variable-length functions message: last eight or fewer message digits.

The paging segment address code is repeated cyclically 1001 ... 1110 for every 48 digits of the message transmitted (n is increased by 48 for each cycle).

End of message is indicated by the transmission of paging segment address code 1111 or by a new call (indicated by altering the "paging A/B" flag).

Recommended maximum length of message is 160 digits.

- Y1Y2 denotes the group code
 - Z1...Z4 denotes the individual code within the group
 - X1X2 denotes the control byte
 - Z4 BCD-coded digit 0 ... 9
 - Xn, Yn , Z1...Z3 and F_n...F_{n+47} hexadecimal character 0 ... F
- Hexadecimal A is used to indicate a space character in the message.

The variable-length functions messages can be used for example to program the pagers over the air. No special dedicated protocol is currently defined.

M.3.5.7 International paging with additional variable-length message

The first two 7A group segments of an international alphanumeric message are shown in Figure M.17.

The bit NI (bit 11 in the control byte, see Table M.12) is set to "1".

For all types of variable-length messages (alphanumeric, numeric and functions), the country code, according to ITU-T Recommendation E.212, is added in the third block of the second 7A group. This code is three BCD-coded digits long.

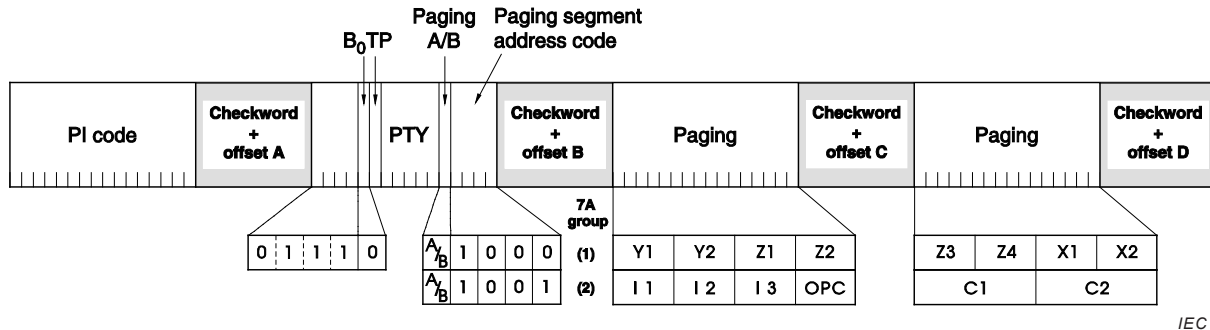


Figure M.17 – The two first 7A groups of an international alphanumeric message

The first two 7A group segments of an international variable-length numeric message are shown in Figure M.18.

The value of the control byte X1X2 is: 0 0 NI R P3 P2 P1 P0 with NI = 1.

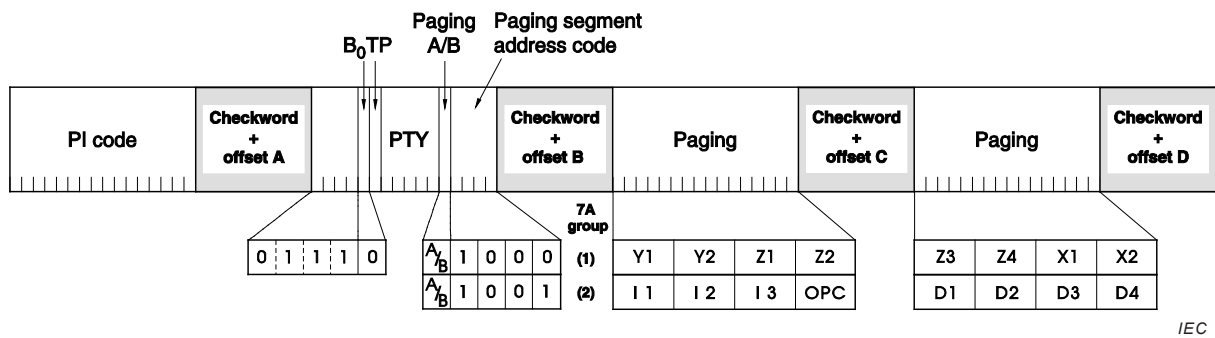


Figure M.18 – The two first 7A groups of an international variable-length numeric message

The first two 7A group segments of an international variable-length functions message are shown in Figure M.19.

The value of the control byte X1X2 is: 0 1 NI R P3 P2 P1 P0 with NI = 1.

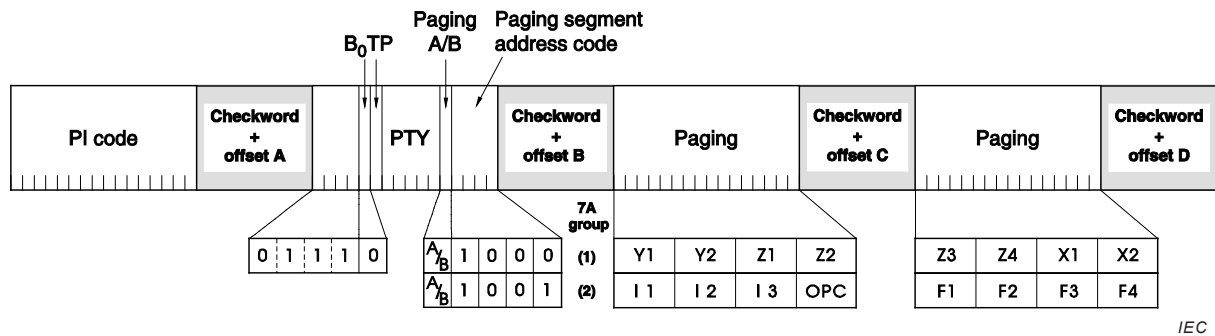


Figure M.19 – The two first 7A groups of an international variable-length functions message

The value of the control byte X1X2 is: 1 1 NI R P3 P2 P1 P0 with NI = 1.

- Y1 Y2 denotes the group code
- Z1 ... Z4 denotes the individual code within the group
- X1 X2 denotes the control byte
- I1 I2 I3 denotes the country code according to ITU-T Recommendation E.212
- I1...I3 and Z4 BCD-coded digits 0 ... 9
- Xn, Yn and Z1...Z3 hexadecimal character 0 ... F
- C_n ... C_{n+23} denotes a message character coded in 8 bit according to, Annex E, Table E.1.
- D_n ... D_{n+47} denotes a hexadecimal character 0 ... A
Hexadecimal A is used to indicate a space character in the message
- F_n ... F_{n+47} denotes a hexadecimal character 0 ... F
- OPC Operator code (see footnote ^a to Figure M.10)

The recommended maximum length of an international alphanumeric message is 78 characters.

The recommended maximum length of an international variable-length numeric message is 156 digits.

The recommended maximum length of an international variable-length functions message is 156 digits.

M.3.6 Address notification bit versus pager individual address

The individual address of a pager is made of a group code (Y1Y2) and an individual code (Z1Z2Z3Z4). The Z2Z3 digits determine a subgroup to which the pager is linked.

Z2Z3 are hexadecimal-coded, which determine 256 subgroups.

To improve the battery life time of the pager, address notification bits are allocated in 13A groups and are allocated to several of the 256 subgroups. If a message for at least one pager belonging to the corresponding subgroup is going to be transmitted, the address notification bit attached to this subgroup is set to 1.

Table M.17 is calculated as follows:

$$\text{address notification bit} = \text{INTEGER} \left[\frac{\text{decimal-coded Z2 Z3}}{\left[\frac{256}{50} \right]} \right]$$

Table M.17 – Address notification (50 bit)

		Z3															
		0	1	2	3	4	5	6	7	8	9	A	B	C	D	E	F
Z2	0	0	0	0	0	0	0	1	1	1	1	1	2	2	2	2	2
	1	3	3	3	3	3	4	4	4	4	4	5	5	5	5	5	6
	2	6	6	6	6	7	7	7	7	7	8	8	8	8	8	8	9
	3	9	9	9	9	10	10	10	10	10	11	11	11	11	11	12	12
	4	12	12	12	13	13	13	13	13	14	14	14	14	14	15	15	15
	5	15	15	16	16	16	16	16	16	17	17	17	17	17	18	18	18
	6	18	18	19	19	19	19	19	20	20	20	20	20	21	21	21	21
	7	21	22	22	22	22	22	23	23	23	23	23	24	24	24	24	24
	8	25	25	25	25	25	25	26	26	26	26	26	27	27	27	27	27
	9	28	28	28	28	28	29	29	29	29	29	30	30	30	30	30	31
	A	31	31	31	31	32	32	32	32	32	33	33	33	33	33	33	34
	B	34	34	34	34	35	35	35	35	35	36	36	36	36	36	37	37
	C	37	37	37	38	38	38	38	38	39	39	39	39	39	40	40	40
	D	40	40	41	41	41	41	41	41	42	42	42	42	42	43	43	43
	E	43	43	44	44	44	44	44	45	45	45	45	45	46	46	46	46

50 address notification bits are allocated.

NOTE Rows 8 to F can be obtained by adding 25 to rows 0 to 7.

For Table M.18, we replace Z2Z3 by the integer part of the Z2Z3 division by two in the previous mathematical formula.

Table M.18 – Address notification (25 bit)

		Z3														
		0	1	2	3	4	5	6	7	8	9	A	B	C	D	E
Z2	0	0	0	0	0	0	0	0	0	0	0	0	0	1	1	1
	1	1	1	1	1	1	1	2	2	2	2	2	2	2	2	2
	2	3	3	3	3	3	3	3	3	3	3	4	4	4	4	4
	3	4	4	4	4	5	5	5	5	5	5	5	5	5	5	6
	4	6	6	6	6	6	6	6	6	7	7	7	7	7	7	7
	5	7	7	8	8	8	8	8	8	8	8	8	8	8	8	9
	6	9	9	9	9	9	9	9	9	10	10	10	10	10	10	10
	7	10	10	11	11	11	11	11	11	11	11	11	11	12	12	12
	8	12	12	12	12	12	12	13	13	13	13	13	13	13	13	13
	9	14	14	14	14	14	14	14	14	14	14	15	15	15	15	15
	A	15	15	15	15	16	16	16	16	16	16	16	16	16	16	16
	B	17	17	17	17	17	17	17	17	17	17	18	18	18	18	18
	C	18	18	18	18	19	19	19	19	19	19	19	19	19	19	20
	D	20	20	20	20	20	20	20	20	20	21	21	21	21	21	21
	E	21	21	22	22	22	22	22	22	22	22	22	22	23	23	23
	F	23	23	23	23	23	23	24	24	24	24	24	24	24	24	24

25 address notification bits are allocated.

For example, the couple of digits Z2Z3 = 9E is attached to the address notification bit 30 (if 50 address notification bits are allocated), or 15 (if 25 address notification bits are allocated).

NOTE Table M.18 can be obtained by taking the integer part of the Z2Z3 division by two, and reading directly in Table M.17 the address notification bit corresponding to this new address. Therefore, only the rows 0 to 7 of Table M.17 need to be known to obtain the second part of Table M.17 and the entire Table M.18.

The relationship between Z3 and parity of the pager is given in Table M.19.

Table M.19 – Z3 parity relationship

		Z3															
		0	1	2	3	4	5	6	7	8	9	A	B	C	D	E	F
even	odd	even	odd	even	odd	even	odd	even	odd	even	odd	even	odd	even	odd	even	odd

M.4 Examples of the traffic handling capacity of the specified radio paging system

Figure M.20, Figure M.21 and Figure M.22 show three examples of the traffic handling capacity. The assumptions for the plotted graphs are:

- numeric messages (10 digits) are conveyed in the basic paging mode (type 7A groups);

NOTE The basic paging protocol also requires the transmission of one type 1A group per second and one type 4A group on every minute on each network (see M.2.1.1 and M.2.1.2).

- one paging call occupies two RDS groups per second;
- each time interval, assigned for battery saving, is fully utilized;
- formula:

$$S = \frac{G / 2 \times 3600}{C \times (R + 1)} \times N$$

where

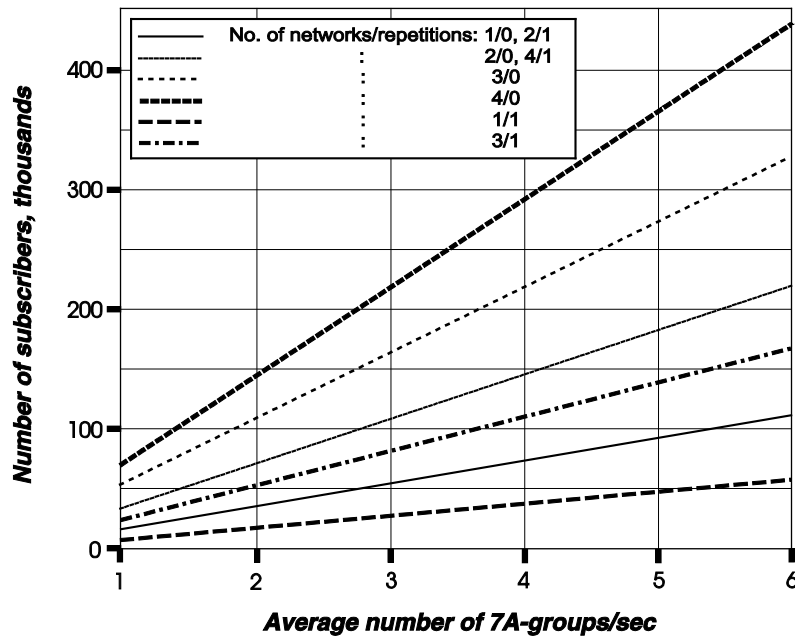
S is the number of subscribers;

G is the number of 7A groups/second;

R is the number of repetitions;

N is the number of networks;

C is the busy-hour call rate.



IEC

Figure M.20 – Traffic handling capacity, busy hour,
call rate = 0,10 calls/pager/hour

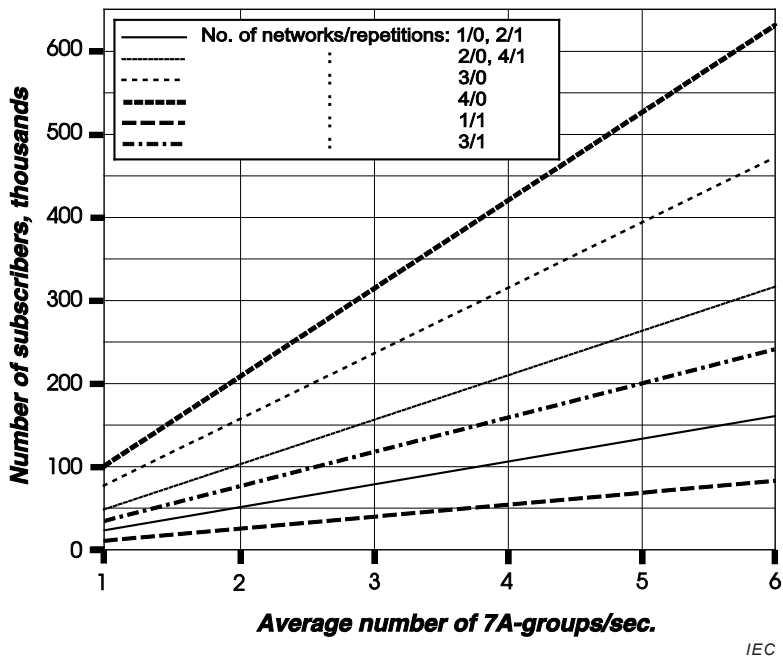


Figure M.21 – Traffic handling capacity, busy hour, call rate = 0,067 calls/pager/hour

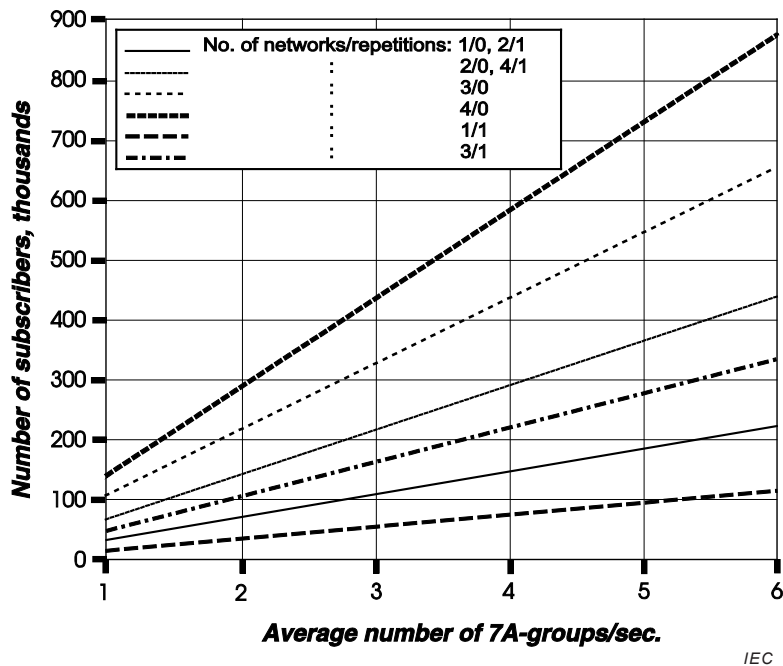


Figure M.22 – Traffic handling capacity, busy hour, call rate = 0,05 calls/pager/hour

Annex N (normative)

Country codes and extended country codes for countries outside the European Broadcasting Area

N.1 African Broadcasting Area

COUNTRY/AREA	ISO 3166 CODE	SYMBOL FOR PI	ECC
Ascension Island		A	D1
Cabinda		4	D3
Angola	AO	6	D0
Algeria	DZ	2	E0
Burundi	BI	9	D1
Benin	BJ	E	D0
Burkina Faso	BF	B	D0
Botswana	BW	B	D1
Cameroon	CM	1	D0
Cape Verde	CV	6	D1
Central African Republic	CF	2	D0
Chad	TD	9	D2
Comoros	KM	C	D1
Congo, Democratic Republic of	CD	B	D2
Congo	CG	C	D0
Cote d'Ivoire	CI	C	D2
Djibouti	DJ	3	D0
Egypt	EG	F	E0
Equatorial Guinea	GQ	7	D0
Eritrea	ER	F	D2
Ethiopia	ET	E	D1
Gabon	GA	8	D0
Gambia	GM	8	D1
Ghana	GH	3	D1
Guinea-Bissau	GW	A	D2
Equatorial Guinea	GQ	7	D0
Guinea, Republic of	GN	9	D0
Kenya	KE	6	D2
Liberia	LR	2	D1
Libya	LY	D	E1
Lesotho	LS	6	D3
Mauritius	MU	A	D3
Madagascar	MG	4	D0
Malawi	MW	F	D0
Mali	ML	5	D0
Mauritania	MR	4	D1

COUNTRY/AREA	ISO 3166 CODE	SYMBOL FOR PI	ECC
Mozambique	MZ	3	D2
Morocco	MA	1	E2
Namibia	NA	1	D1
Niger	NE	8	D2
Nigeria	NG	F	D1
Rwanda	RW	5	D3
Sao Tome & Principe	ST	5	D1
Seychelles	SC	8	D3
Senegal	SN	7	D1
Sierra Leone	SL	1	D2
Somalia	SO	7	D2
South Africa	ZA	A	D0
Sudan	SD	C	D3
Swaziland	SZ	5	D2
Togo	TG	D	D0
Tunisia	TN	7	E2
Tanzania	TZ	D	D1
Uganda	UG	4	D2
Western Sahara	EH	3	D3
Zambia	ZM	E	D2
Zimbabwe	ZW	2	D2

N.2 Allocations of symbols for countries in ITU Region 2

COUNTRY/AREA	ISO 3166 CODE	SYMBOL FOR PI	ECC
Anguilla	AI	1	A2
Antigua and Barbuda	AG	2	A2
Argentina	AR	A	A2
Aruba	AW	3	A4
Bahamas	BS	F	A2
Barbados	BB	5	A2
Belize	BZ	6	A2
Bermuda	BM	C	A2
Bolivia	BO	1	A3
Brazil	BR	B, C, D, 3	A2
Canada	CA	B, C, D, E	A1
Cayman Islands	KY	7	A2
Chile	CL	C	A3
Colombia	CO	2	A3
Costa Rica	CR	8	A2
Cuba	CU	9	A2
Dominica	DM	A	A3
Dominican Republic	DO	B	A3
Ecuador	EC	3	A2
El Salvador	SV	C	A4
Falkland Islands	FK	4	A2
French Guiana	GF	5	A3
Greenland	GL	F	A1
Grenada	GD	D	A3
Guadeloupe	GP	E	A2
Guatemala	GT	1	A4
Guyana	GY	F	A3
Haiti	HT	D	A4
Honduras	HN	2	A4
Jamaica	JM	3	A3
Martinique	MQ	4	A3
Mexico	MX	B, D, E, F	A5
Montserrat	MS	5	A4
Netherlands Antilles	AN	D	A2
Nicaragua	NI	7	A3
Panama	PA	9	A3
Paraguay	PY	6	A3
Peru	PE	7	A4
Puerto Rico	PR	1..9, A, B, D, E	A0
Saint Kitts	KN	A	A4
Saint Lucia	LC	B	A4
St Pierre and Miquelon	PM	F	A6

COUNTRY/AREA	ISO 3166 CODE	SYMBOL FOR PI	ECC
Saint Vincent	VC	C	A5
Suriname	SR	8	A4
Trinidad and Tobago	TT	6	A4
Turks and Caicos Islands	TC	E	A3
United States of America	US	1..9, A, B, D, E	A0
Uruguay	UY	9	A4
Venezuela	VE	E	A4
Virgin Islands [British]	VG	F	A5
Virgin Islands [USA]	VI	1..9, A, B, D, E	A0

N.3 Allocations of symbols for countries in ITU Region 3

COUNTRY/AREA	ISO 3166 CODE	SYMBOL FOR PI	ECC
Afghanistan	AF	A	F0
Australia	AU		
Australia Capital Territory		1	F0
New South Wales		2	F0
Victoria		3	F0
Queensland		4	F0
South Australia		5	F0
Western Australia		6	F0
Tasmania		7	F0
Northern Territory		8	F0
Bangladesh	BD	3	F1
Bahrain	BH	E	F0
Brunei Darussalam	BN	B	F1
Bhutan	BT	2	F1
Cambodia	KH	3	F2
China	CN	C	F0
Fiji	FJ	5	F1
Hong Kong	HK	F	F1
India	IN	5	F2
Indonesia	ID	C	F2
Iran	IR	8	F1
Japan	JP	9	F2
Kazakhstan	KZ	D	E3
Kiribati	KI	1	F1
Korea [South]	KR	E	F1
Korea [North]	KP	D	F0
Kuwait	KW	1	F2
Kyrgyzstan	KG	3	E4
Laos	LA	1	F3
Macao	MO	6	F2
Malaysia	MY	F	F0
Maldives	MV	B	F2
Micronesia	FM	E	F3
Mongolia	MN	F	F3
Myanmar [Burma]	MM	B	F0
Nepal	NP	E	F2
Nauru	NR	7	F1
New Zealand	NZ	9	F1
Oman	OM	6	F1
Pakistan	PK	4	F1
Philippines	PH	8	F2
Papua New Guinea	PG	9	F3
Qatar	QA	2	F2

COUNTRY/AREA	ISO 3166 CODE	SYMBOL FOR PI	ECC
Saudi Arabia	SA	9	F0
Samoa	WS	4	F2
Singapore	SG	A	F2
Solomon Islands	SB	A	F1
Sri Lanka	LK	C	F1
Taiwan	TW	D	F1
Tajikistan	TJ	5	E3
Thailand	TH	2	F3
Tonga	TO	3	F3
Turkmenistan	TM	E	E4
UAE	AE	D	F2
Uzbekistan	UZ	B	E4
Vietnam	VN	7	F2
Vanuatu	VU	F	F2
Yemen	YE	B	F3

Annex P (normative)

Coding of RadioText Plus information (RT+)

P.1 General

RT+ is designed to let the listener (or user) take additional benefit from the RadioText service RT/eRT (see 6.1.5.3 and Annex Q), by enabling receivers to offer direct access to specific elements of RadioText messages (e.g. to the title of the broadcast song transmitted at the same time, to news, to telephone numbers such as those used for voting, to web addresses for browsing web content offered by the radio programme provider, etc.).

These RT+ messages carried in the RadioText (RT/eRT) messages, are identified by their location within the message and by the class code of their RT/eRT content type (see Table P.2). Thus, a receiver is able to store the different RT+ messages, and the listener may then select and request a specific content type from the storage at any instant in time that fits the user's needs. The advantage of this method is that a user is no longer forced to watch a lot of information passing by. The listener rather gets the opportunity to select specifically any favourite information to be shown on a static display.

Moreover, RT+ gives the possibility to present selected RT/eRT message elements to car drivers on a quasi static display without any major risk of distracting the attention of the driver. Furthermore, RT+ is well suited for mobile phones with built-in RDS FM receivers: telephone numbers may be routed directly from the RadioText to the dialer.

RT+ is based on RT/eRT messages and is completely backwards compatible. All additional information, necessary for implementing the RT+ service, is carried as an open data application (see 6.1.4 and 6.1.5.4) in group type 3A and in an associated ODA application group (see Table P.1).

The application identification (AID) assigned to RT+ is 0x4BD7.

Table P.1 – RT+ information elements

RT+ information elements		
RT or eRT message	RT+ identification	RT+ tags
Group type 2A/B or ODA for eRT	Group type 3A	ODA group type A

P.2 Definitions

Category: The 'RT/eRT content types' listed in Table P.2 are grouped in categories: Item (information on programme element), Info (general information services), Programme (information on the programme), Interactivity (related information), Descriptors (places and addresses, date, time, etc.) and Private classes (to be defined by individual broadcasters) and reserved codes for future amendments.

Descriptor: a category of 'RT/eRT content types' used for describing places and addresses, date and time, specific identifiers, etc.

Length marker: part of the RT+ information element which describes the additional length of the tagged RadioText message (RT or eRT).

Programme item: time-slice of a programme, for example a piece of music or a documentary report.

RT+: an extension of the RT and eRT RadioText features, which allows storing and filtering of parts of the RadioText messages in the receiver terminal as RT+ objects that then can be displayed, selected and accessed by the listener, also independently from the transmitted RadioText messages sent at the same time.

'RT/eRT content type': the content of an RT+ message is characterised by an RT+ class code, listed in Table P.2. Sixty-four different codes exist in this Table.

RT+ information elements: these are all RT+ elements for any given RT+ message, i.e. the RT+ element defined for group 3A, the RT+ ODA application group elements and the corresponding tagged RadioText elements (RT or eRT).

RT+ message: the basic information entity that is sent by the broadcaster to the listener. The listener can select the RT+ messages by their content type.

RT+ content: the RT+ content consists of one or two tagged RadioText elements (RT in group type 2A/B or eRT as an ODA).

RadioText: feature of RDS for providing a programme with text messages. Two RadioText options exist, RT, using the basic character set and group type 2A/B, and eRT, using the extended character set and an ODA defined in Annex Q.

RadioText message: Text messages that are associated with a programme. One single RT message is not likely to be sufficient for complete comprehension by the user.

Start marker: Part of the RT+ information element which describes the start position (number found by counting the text character positions within a text string) of the respective tagged RadioText message element (RT or eRT).

P.3 RT+ tag

When a RadioText message like 'You are listening to 'House of the rising sun' by Eric Burdon' is sent out, the RT+ information elements 'Title' and 'Artist' are marked by two RT+ tags.

A RT+ tag consists of three elements:

- a) RT/eRT content type;
- b) Start marker pointing to the position (inside the RT or eRT message) of the first character of that RT+ message;
- c) Length marker indicating the additional length (in addition to the character at the start position) of that RT+ message.

The 'RT/eRT content type' is taken from a list with 64 entries (see Table P.2).

For the example given above the two tags are as follows:

RT/eRT content type	ITEM.TITLE
Start marker	22
Length marker	22

RT/eRT content type	ITEM.ARTIST
Start marker	50
Length marker	10

Start marker and length marker can be derived from the following scheme below:

```
You are listening to 'House of the rising sun' by Eric Burdon
0----0----1----1----2----2----3----3----4----4----5----5----6----
0----5----0----5----0----5----0----5----0----5----0----5----0----
```

The addresses of the RadioText characters range from 0 to 63, so the start marker can take the same values.

The length marker is ranging from 0 to 63 and from 0 to 31 respectively (see P.5.3).

If two RT+ messages are contained in the RadioText, they shall not overlap.

The tag information sent out should not change during the lifetime of the associated RadioText.

P.4 RT+ information elements and data model

P.4.1 General

The content of RT+ messages is carried in the RadioText (RT/eRT) messages. Their content is described by RT/eRT content type code (see Table P.2) in each RT+ tag.

P.4.2 List of RT/eRT content types

The list of defined RT/eRT content type codes, grouped in categories, is given in Table P.2. There are 64 RT+ classes of content type available, which a programme service provider can offer and the listener can select from, each with a specific RT+ class. The classes can be grouped into the following categories.

a) Item

The programme is made up of a sequence of programme items (see NOTE 1), corresponding to an entry in a programme schedule. A programme item may consist again of several programme elements. For all programme elements which can be designated by RT+ classes of the category "Item" in Table P.2. This standard uses the term "Item". In popular music programmes an item is a song, in a programme with classical music it may be a complete symphony. A speech based programme item may also be assembled from different items (see NOTE 2). Programme elements like News and Talk as shown in P.4.4 (example 2 and example 3) are not "Items", as there do not exist any appropriate RT+ classes of the category "Item" in Table P.2. A programme item can be described by one, several or even all classes of this category, but for the duration of the "Item", the associated RT+ message of each class can only have a single value, for example the RT+ message classified as "Item". "Title" will remain fixed to "House of the rising sun" until the start of the next song.

NOTE 1 RDS uses the PIN feature to identify programme items.

NOTE 2 A programme item may consist of only one element (e.g. radio drama) and can also be designated by RT+ classes of the category "Item" in Table P.2.

b) Info

RT+ messages of this category carry textual service information that is more or less unrelated to the audio service, but is offering important additional information to the listener, including info about alarms, advertisements and events.

c) Programme

RT/eRT content types of this category describe the programme service.

d) Interactivity

Telephone numbers, short message text within GSM used for services addressed with SMS numbers, e-mail addresses or web addresses (URLs) are given. The listener may send contributions for chat conversations to a chat centre. These contributions may be broadcast by the radio station. Questions for voting may be sent as RT+ content. The listener may send a response back to the voting centre.

e) Private classes

While all other RT+ classes describe precisely the RT/eRT content type, also to permit their interpretation by automatic routines within the receiver terminal or by a human user, the Private classes can be freely defined just as required for a specific programme service provider. The interpretation is then dependent on the programme service and does require a template on the receiver terminal. Alternatively, a program provider may supply his customers with special receivers, where the facilities to interpret own Private classes are already built-in. In this particular case, no template is required.

f) Descriptors

An RT+ message belonging to one of the categories above, can be complemented by an information element of the category Descriptor. Both shall always be transmitted in the same RadioText just as the corresponding tags in the same application group. As an example: the Descriptor GET_DATA contains the URL-address or the SMS number for retrieving more data describing the RT+ message, the Descriptor is referring to. The listener can then get access to more information for the music item, special news, events, etc.

P.4.3 Structures of RT+ messages

For some classes, RT+ messages may be structured by the programme service provider following a general pattern, for example results of football matches may be given as RT/eRT content type INFO.SPORT with two parts, one indicating the match and the other the result.

"Bayern München:AC Milano 5:5"

This specification generalizes the scheme given above as follows:

The two different parts are separated by two or more consecutive space characters (see NOTE 1), that is redundant spaces. The redundant spaces serve as a delimiter between these two parts. The first part is called the key word and will be used primarily for explanation of the text which follows.

NOTE 1 In the examples given in this text, a space character is represented by the symbol "␣".

The key word carries an explanation for the user, whereas the second part may also carry a phone number, the SMS- or MMS-telephone number or the email address to be contacted.

This scheme permits an advanced receiver to accumulate all information (carried in the sequence of RT+ messages of the same RT/eRT content type) and then to build one table for presentation to the user.

This scheme may be used for the categories 'Info', 'Programme' and 'Interactivity', and shall not be used for the categories 'Item' and 'Descriptor' for the specific RT+ classes, identified in Table P.2, with footnote d.

For explanation, the following examples are given for different classes, first lines indicating the structure, and then a line giving a specific example:

- INFO.STOCKMARKET

[Name_␣_Latest value in €] or more extended:

[Name_␣_Latest value in €_␣_Change_␣_High_␣_Low_␣_Volume] e.g.

'Nokia_12,27_0,41_12,31_12,15_23 332 238'

- INFO.SPORT
[Match_Result] or more extended:
[Kind of Sport_Match_Result] e.g.
'Football_Bayern München:AC Milano_5:5'
- INFO.WEATHER
[Description_Temperature] e.g.
'Raining_16 Grad C°' or
'Munich_23 Grad C°'
- Interactivity
- PHONE.OTHER
[Description_Phone Number] e.g.
'Deutsches Museum_089323990'

If it makes sense, elements may be omitted from the right in a given structure

(e.g. INFO.STOCKMARKET: 'Nokia_12,27_0,41_12,31_12,15')

Alternatively, the description of the classes PHONE.OTHER, SMS.OTHER, EMAIL.OTHER and MMS.OTHER may be put into tag 1 and the second part, i.e. the phone number or the address, will be put into tag 2. This then gives the text editor more freedom to introduce some additional glue words in the RadioText message.

Example: 'The match Bayern München:AC Milano ended 5:5'

NOTE 2 RadioText messages may contain several space characters for optimizing the layout in static displays. However, if the RT messages are used in context with an RT+ service, redundant spaces in parts marked by RT+, are only allowed for the purpose of delimiting two or more parts of the RT+ content.

P.4.4 Receiver data model

The RT+ feature is designed to allow a broad range of receiver models with different display capabilities and memory complexity to be used. The broadcaster may provide special radio skins (templates) for presenting RT+ information on the receiver display. Each programme provider may deposit various templates for different programme types on a web server (to be defined). This web server can be addressed by the receiver for downloading a particular template (see also P.5.2). This requires the receiver to be able to download actively external data (pull information by unicast, for example using a telephone connection).

A simple receiver will store a small selection of RT+ classes only. The storage will contain only the current content of the 'RT+ classes'. The storage of a given class will be overwritten by a new version of that same class. The receiver may offer a choice to the listener to enable a selection of any particular 'RT+ class' to be presented on the display. For example, a listener may want to see one or several 'RT+ classes' of the category 'Item' simultaneously, i.e. 'Title' and 'Artist' of the at that moment received 'Item'.

More complex receivers will store not only the current content of several classes, but will use a memory to keep the information collected during the past. For reviewing the list of earlier received 'Items', it is essential for the receiver that it can combine the different RT+ information elements (received at different times) correctly, so that elements of different 'Items' are not mixed. For that purpose, an 'Item toggle bit' changes every time a new 'Item' starts and the 'Item running bit' indicates whether the 'Item' is still running. Both bits are sent continuously together with every pair of the RT+ tags.

The examples in Figure P.1, Figure P.2 and Figure P.3 show the setting of the 'Item toggle bit' and the 'Item running bit' for different audio sequences.

Example 1:

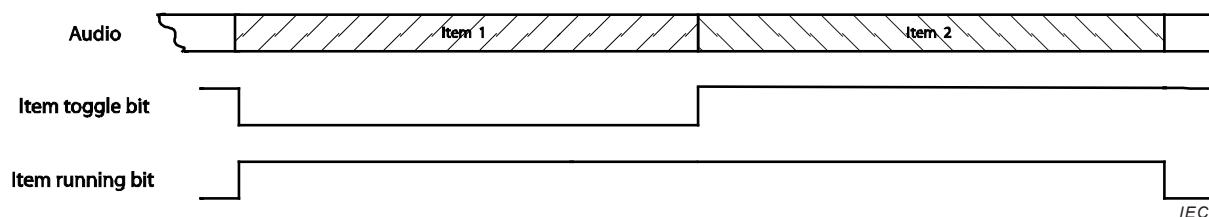


Figure P.1 – RT+ information of the category 'Item' (see Table P.2) will be attached to the programme elements Item 1 and Item 2

Example 2:

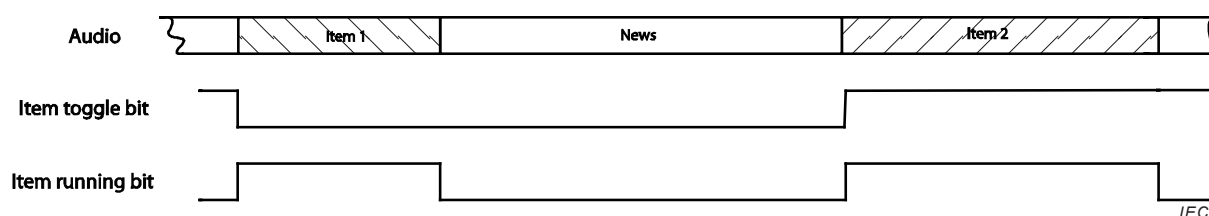


Figure P.2 – RT+ information of the category 'Item' will be attached to the programme elements Item 1 and Item 2, but not to the programme element News

Example 3:

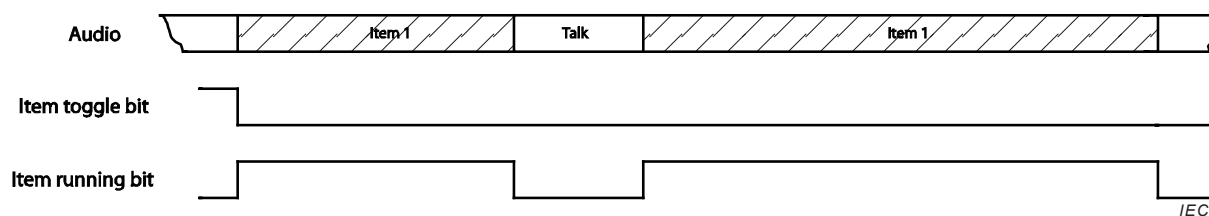


Figure P.3 – RT+ information of the category 'Item' will be attached only to the programme element Item 1, but not to the programme element Talk

Receivers can provide more convenience by assembling an ordered cumulative list of all RT+ content of a specific class. For example the class INFO.SPORT may be displayed as a list of the football match results. This is easy to implement for those classes of the category 'Info', that use redundant space characters as a delimiter between several parts of the text. The first part, the keyword, can then be used to establish a table which is ordered according to the keywords. Updating is also possible, if the keyword is not changed.

NOTE 1 The broadcaster may set the 'Item toggle bit' and the 'Item running bit' as required.

NOTE 2 The default setting for both, the 'Item toggle bit' and the 'Item running bit', is '0'. However, in such a case no specific RT+ information can be attached to any of the 'Items' by the receiver.

P.5 Coding RT+ in ODA groups

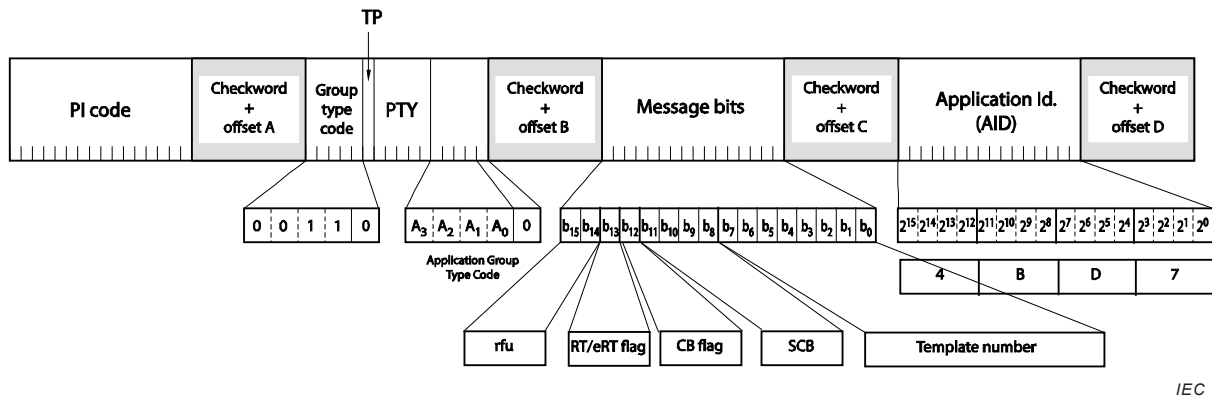
P.5.1 General

To transmit the RT+ tags, the ODA feature (see 6.1.4 and 6.1.5.4) is used and the necessary details are defined by these subclauses.

The message bits of group type 3A carry control data for the application. The tag information, to identify the RT+ messages within the RadioText, is carried by the RT+ ODA application group. Only type A groups can be used.

P.5.2 RT+ identification (Group type 3A)

The coding of the message bits in group type 3A and the application identification (AID) for the ODA RT+ is shown in Figure P.4.



IEC

Figure P.4 – Bit allocation for group 3A (message bits and AID)

Application group type code:

The group type for transmitting the RT+ application data can be chosen from Table 6.

The group type code is signaled in block 2 of the 3A group.

The meaning of the message bits of group type 3A is as follows:

a) rfu

Reserved for future use, and not affecting any of the functions of the other bits. The rfu bits shall be set to zero until they are defined;

b) RT/eRT flag

If this bit is set to '0', then the RT+ information applies to RT in group type 2A/B (see 6.1.5.3) and if set to '1', it applies to eRT, using the ODA feature specified in Annex Q;

c) CB flag

The CB flag gives the information, if there is a template available for the ongoing programme. The template may already be present in the receiver (downloaded previously) or can be downloaded at that moment, if the user wants it. The identification of the desired template is accomplished by sending back from the receiver terminal to the web server the PI code and the extended country code ECC, the 'Server Control Bits' and the 'Template number'.

If the CB flag is set to '0', no special radio skin (template) is available and 'Server Control Bits' and 'Template number' bits are reserved for future use.

If the CB flag is set to '1', a special radio skin (template) is available for the ongoing transmission;

d) Server Control Bits (SCB)

It may occur, that the same PI code is used repeatedly within a national area (e.g. for local programme stations far away from each other). In these cases, the Server Control Bits are used to distinguish between programmes using the same PI code;

NOTE The Server Control Bits are allocated by the operator of the web server.

e) Template number

The Template number gives the number of a specific template, out of a choice of templates provided by the broadcaster. Up to 256 templates per programme service can be addressed.

P.5.3 Coding of the RT+ tag

The coding of the message bits of the application group is shown in Figure P.5.

In the message bits of the RT+ application group two RT+ tags are conveyed. All 'RT+ classes' or 'RT/eRT content types' can be put into the one or the other tag of the application group. If an RT+ message contains more than 32 characters, the associated tag information shall be coded in tag 1. Content types of the category 'Descriptor' are always referring to the content type in the other tag (in the same application group) and this gives additional information.

The start addresses in the tags may be chosen according to the needs during the RT generation. Therefore, the sequence of the tags in the application group does not determine the sequence of the information elements in the RT.

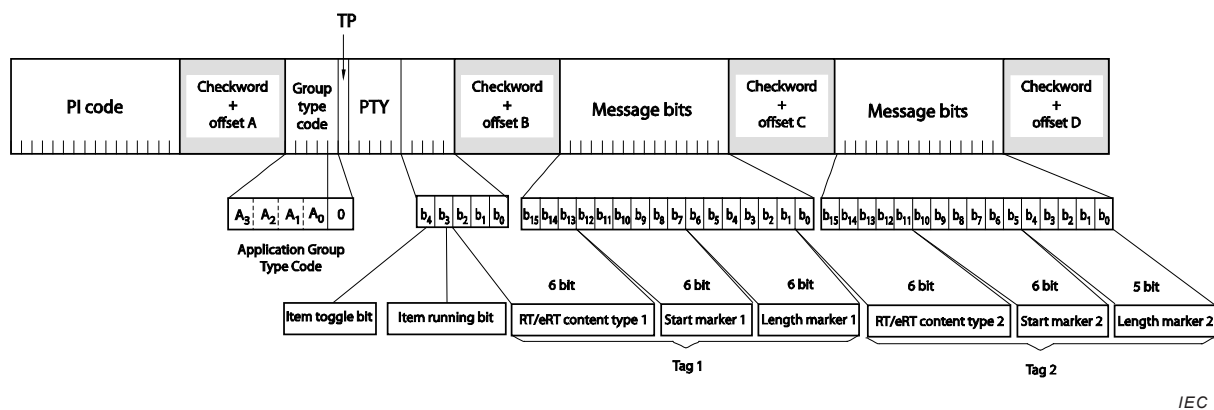


Figure P.5 – Coding of the message bits of the application group

The meaning of the message bits is as follows:

a) 'Item toggle bit'

This bit shall be toggled when a new 'Item' starts.

NOTE 1 Item means a specific programme element (see also P.4.2 and Table P.2).

b) 'Item running bit'

This bit shall be set to 1 if an 'Item' is running. Otherwise, it shall be set to 0.

NOTE 2 The 'Item toggle bit' and the 'Item running bit' will be set or reset independently from the tag information sent out at the same time.

NOTE 3 In the receiver, these two bits may be used to group all 'RT/eRT content types' of the category 'Item' sent for one item and store them in memory (subsequently for several items) or, when storing and presenting information for only one item, to delete all information belonging to the elapsed item before starting to gather information for the new one.

NOTE 4 Even though not intended by this standard, these bits may be used for recording purposes.

c) 'RT/eRT content type'

This 6 bit value specifies the tags by assigning to them a content type according to the 'RT+ class' codes given in Table P.2. If only one RT+ information element (tag) is used, then the content type in the second tag shall be set to 'Dummy'. If no RT+ information element is existing, the content type in both tags shall be set to 'Dummy'. In both cases, the bits in the start and length markers are then undefined.

d) Start marker

This 6 bit value indicates the position of the first character of the RT+ message within the RadioText. (Start marker 0 means the first character in the RadioText).

e) Length marker

This 6 bit (or 5 bit for length marker in tag 2) value gives the additional length (number of characters following the first character at the start position) of the RT+ message.

NOTE 5 As it is not permitted that RT+ messages overlap, only one element can comprise more than 32 characters and 5 bit are then sufficient for coding the length marker in tag 2. Flipping of the two tags is permitted if the second RT+ information element exceeds 32 characters but the first is under 32.

P.5.4 Clearing of RT+ messages

There is no specific clear command. Clearing will be done by overwriting the content of a 'RT+ class' with one or more space(s) taken as RT+ messages out of the current RadioText. This assumes, that the RadioText in transmission contains at least one space character and at least one tag is unused and available to address the class to be cleared.

EXAMPLE

```
Hotline: 0123456677
0----0----1----1----2----2----3----3----4----4----5----5----6----
0----5----0----5----0----5----0----5----0----5----0----5----0----
```

'RT/eRT content type'	PHONE.HOTLINE
Start marker	9
Length marker	9

'RT/eRT content type'	INFO.NEWS
Start marker	8
Length marker	0

The second tag information (transmitted simultaneously with the RadioText 'Hotline: 0123456677') will cause to delete the previously sent message of the class INFO.NEWS

If a class of the category 'Item' is cleared, all classes of category 'Item' shall be cleared.

Table P.2 – Code list and ‘RT+ class’ description of ‘RT/eRT content types (1 of 3)

Category	Code ^a	RT+ class	Description
Dummy	0	DUMMY_CLASS	To assign a class if the RadioText contains no RT+ information
Item	1	ITEM.TITLE ^b	Title of item, for example, track title of an album
	2	ITEM.ALBUM ^b	The collection name to which this track belongs
	3	ITEM.TRACKNUMBER ^b	The track number of the item on the album on which it was originally released
	4	ITEM.ARTIST ^b	A person or band/collective generally considered responsible for the work
	5	ITEM.COMPOSITION ^b	A complete composition (classical music broadcasters should use this item to identify the composition)
	6	ITEM.MOVEMENT ^b	A movement is a large division of a composition or musical form (classical music broadcasters should use this item to identify the movement)
	7	ITEM.CONDUCTOR ^b	The artist(s) who performed the work. In classical music, this would be the conductor
	8	ITEM.COMPOSER ^b	Name of the original composer/author
	9	ITEM.BAND ^b	Band/orchestra/accompaniment/musician
	10	ITEM.COMMENT ^b	Any comment related to the content
	11	ITEM.GENRE ^b	The main genre of the audio, for example ‘classical’, ‘hip-hop’, ‘jazz’, ‘oldies’, ‘drama’, etc.
Info	12	INFO.NEWS	Message/headline
	13	INFO.NEWS.LOCAL	Local news
	14	INFO.STOCKMARKET ^d	Quote information; either as one part or as several distinct parts: ‘name latest value__change high __low __volume’ ^c
	15	INFO.SPORT ^d	Result of a game; either as one part or as several distinct parts: ‘match __result’, for example ‘Bayern München: Borussia __5:5’
	16	INFO.LOTTERY ^d	Raffle/lottery: ‘key word __values’
	17	INFO.HOROSCOPE ^d	Horoscope; either as one part or as two distinct parts: ‘key word __text’, for example ‘sign of the zodiac __blablabla’
	18	INFO.DAILY_DIVERSION	Daily tip/diversion/joke
	19	INFO.HEALTH ^d	Information about health: ‘key word __info’
	20	INFO.EVENT	Info about an event
	21	INFO.SCENE	Information about scene (hot locations to be, ...)
	22	INFO.CINEMA	Information about movies in cinema
	23	INFO.TV	Information about TV-movies
	24	INFO.DATE_TIME	Information about date and time (receiver to choose between date and time). Not CT (Clock Time); shall not be used to set the internal clock of a device
	25	INFO.WEATHER ^d	Information about weather; either as one part or as two distinct parts: ‘key word __info’, e.g. ‘Rain __17 °C’

Table P.2 (2 of 3)

Category	Code ^a	RT+ class	Description
	26	INFO.TRAFFIC	Information about traffic. This shall not replace TMC, but rather alert users in case of exceptional traffic news
	27	INFO.ALARM	Alarm information
	28	INFO.ADVERTISEMENT	Info about an advertisement. May be in parallel to an audio advertisement
	29	INFO.URL ^d	Link to URL either as one part or as two distinct parts: 'key word __url'
	30	INFO.OTHER ^d	Other information, not especially specified: 'key word __info'
Programme	31	STATIONNAME.SHORT	Name describing the radio station (call letters)
	32	STATIONNAME.LONG	Name describing the radio station
	33	PROGRAMME.NOW	EPG info programme now
	34	PROGRAMME.NEXT	EPG info programme next
	35	PROGRAMME.PART	Part of the radio show being broadcast; for example one or more part of the PROGRAMME.NOW
	36	PROGRAMME.HOST	Name of the host of the radio show
	37	PROGRAMME.EDITORIAL_STAFF	Name of the editorial staff; for example name of editorial journalist
	38	PROGRAMME.FREQUENCY ^d	Information about radio shows. A link towards another frequency with other content (not AF list). May be one part or two distinct parts: 'key word __frequency'
	39	PROGRAMME.HOMEPAGE ^b	Link to radio station homepage
	40	PROGRAMME.SUBCHANNEL ^d	For so-called multicasting applications; may be one part or two distinct parts: 'key word __sub-channel'
Inter-activity	41	PHONE.HOTLINE	The telephone number of the radio station's hotline
	42	PHONE.STUDIO	The telephone number of the radio station's studio
	43	PHONE.OTHER ^d	Name and telephone number; either as one part or as two distinct parts: 'key word __phone number'
	44	SMS.STUDIO	The telephone number of the radio station's studio (to send directly an SMS to the studio)
	45	SMS.OTHER ^d	Name and SMS number; either as one part or as two distinct parts: 'key word __sms number'
	46	EMAIL.HOTLINE	The email address of the radio station's hotline
	47	EMAIL.STUDIO	The email address of the radio station's studio
	48	EMAIL.OTHER ^d	Name and email address; either as one part or as two distinct parts: 'key word __email address'
	49	MMS.OTHER ^d	Name and MMS number; either as one part or as two distinct parts: 'key word __mms number'
	50	CHAT	chat content: sent by users to a specific address and broadcast by the radio station
	51	CHAT.CENTRE	Address, where replies to the chat shall be sent (may be URL or SMS)

Table P.2 (3 of 3)

Category	Code ^a	RT+ class	Description
	52	VOTE.QUESTION	A question (typically binary) which can be answered by 'yes' or 'no' or '1' or '2'
	53	VOTE.CENTRE	url or sms number to send the answer to
rfu	54		Class reserved for future use
	55		Class reserved for future use
Private classes ^e	56		
	57		
	58		
Descriptor ^f	59	PLACE	Adds info about a location
	60	APPOINTMENT	Adds info about date and time
	61	IDENTIFIER ^b	For music it is the International Standard Recording Code (http://www.ifpi.org/isrc/)
	62	PURCHASE ^b	Address where item can be purchased, can be a url or an sms-number
	63	GET_DATA	Retrieves either via an sms or url-link more data about the other RT+ message of the same RadioText message. (Info request via point to point, or unicast)
<p>^a This is the code to be used for 'RT/eRT content type' (see P.5.3); the decimal code shall be converted to the corresponding binary code.</p> <p>^b For this RT+ class, a corresponding MP3 ID3v2 tag exists.</p> <p>^c _ = space; two or more consecutive spaces act as a separator between several parts of the RT+ message (see P.4.3).</p> <p>^d For this RT+ class the RT+ message may be structured as described in P.4.3.</p> <p>^e 'Private classes' may be defined by the service provider (see P.4.2).</p> <p>^f Descriptor will always define the other RT+ message of the same RadioText message.</p>			

P.6 Broadcasting conventions

When RT+ information is generally available, 3A type groups shall be transmitted at least every 10 s. During the lifetime of a RadioText RT/eRT containing RT+ messages application groups carrying the tags, shall be sent with a minimum frequency of 0,5 groups per second. The tag information sent out shall not change during the period of the associated RadioText ('Item toggle bit' and 'Item running bit' may change).

The RT A/B flag (for RT only and not used for eRT) shall be toggled when the RadioText changes. The RT+ tag information for the application group shall be sent to the RDS encoder immediately after the new RadioText.

P.7 Receiving conventions

When the receiver detects a change in the RadioText A/B flag (indicating a new message) RadioText decoding and decoding of RT+ tags may start simultaneously and RT+ information elements may be displayed or stored, once the corresponding part of the RT RadioText is received completely error-free.

The different 'RT+ classes' may be stored and then be displayed automatically or when the user retrieves a certain 'RT/eRT content type'. For certain content types it may make sense to save more than the current or the last information in the memory (e.g. a list of the 'Titles' belonging to the last 10 'Items').

Depending on the reception conditions, it may be necessary to evaluate the tag information of a few application groups before decoding RT+ information.

P.8 Marking

Equipment implementing RadioText Plus should be marked with the designation 'RT+'.

Annex Q (normative)

Coding of enhanced RadioText (eRT)

Q.1 General

Existing RDS receivers, based on previous versions of the RDS standard, will not benefit from this new development.

Since eRT is an open data application (ODA), it is completely backwards compatible. All information, necessary for implementing the eRT service, is carried as an open data application (see 6.1.4 and 6.1.5.4) in group type 3A and in an associated ODA application group (see Table Q.1).

The application identification (AID) assigned to eRT+ is 0x6552.

Table Q.1 – eRT information elements

eRT information elements		
eRT message	eRT identification	Optional RT+ tags
ODA application group type A for eRT	Group type 3A	ODA (see Annex P)

eRT is a RadioText alternative to RT in group type 2 A/B (see 6.1.5.3) that may be used wherever the character set defined in Table E.1 is insufficient. Then the extended character set from Table E.3 can be used with eRT as an ODA. Table E.3 contains all symbols of Table E.1 plus the symbols necessary for all national languages used in the 28 European Union countries. Additionally, the Russian, Ukrainian, Arabic and Hebrew languages are also supported.

The eRT application group (see Figure Q.2) differs only slightly from RT group type 2A. The difference is that the text A/B flag bit in block 2 of group 2A has in eRT become part of the segment counter (eRT byte pair address code), so that in eRT 32 segments instead of 16 in RT become possible.

Q.2 Coding eRT in ODA groups

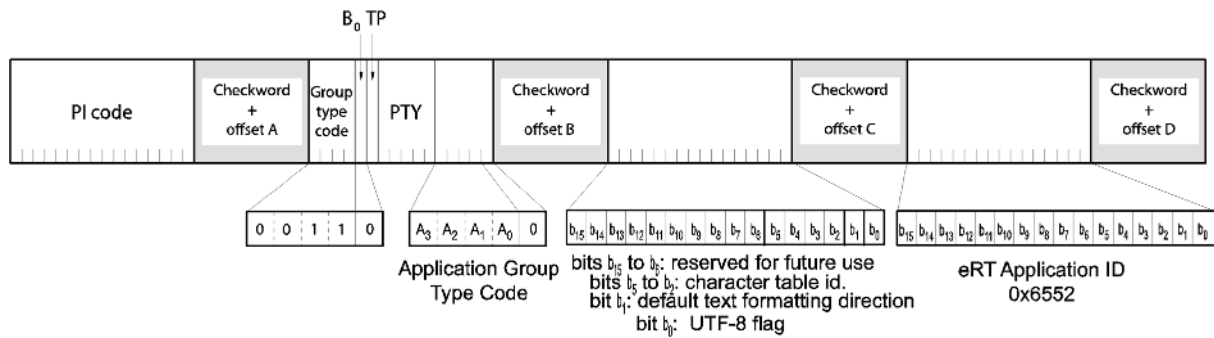
Q.2.1 General

To transmit the eRT, the ODA feature (see 6.1.4 and 6.1.5.4) is used and the necessary details are being defined by this clause.

The message bits of group type 3A carry control data for the application. The RadioText information is carried by the eRT ODA application group. Only type A groups can be used.

Q.2.2 eRT identification (Group type 3A)

The coding of the message bits in group type 3A and the application identification (AID) for the ODA eRT is shown in Figure Q.1.



IEC

Figure Q.1 – Bit allocation for group 3A (message bits and AID)

Application group type code:

The group type for transmitting the eRT application data can be chosen from Table 6 in 6.1.4.1.

The group type code is signaled in block 2 of the 3A group.

The meaning of the message bits in block 3 of group type 3A is as follows:

a) UTF-8 flag (bit b_0)

If set to '1', the enhanced RadioText string is UTF-8 coded. If set to '0' UTF-8 coding is not used and all eRT characters occupy then two bytes per character, UCS-2 coded.

b) Default text formatting direction (bit b_1)

The default formatting direction is the same as the reading sequence and refers to the position of the first character in an eRT message. That is to say when formatted left-to-right the character at index position 0 is the leftmost, within text formatted right-to-left this character is the rightmost.

If set to '0', the default formatting direction is from left-to-right.

If set to '1', the default formatting direction is from right-to-left.

c) Character table identification (bits b_2 to b_5)

If set to '0000', the text is coded with the character set Table E.3. Codes 0x1 to 0xF are reserved for additional character set tables.

d) Bits b_6 to b_{15} : reserved for future use

Reserved for future use, and not affecting any of the functions of the other bits. These bits shall be set to zero until they are defined.

Q.2.3 Coding of the eRT text string

Q.2.3.1 General coding conventions

Figure Q.2 shows the coding of message bits of the application group.

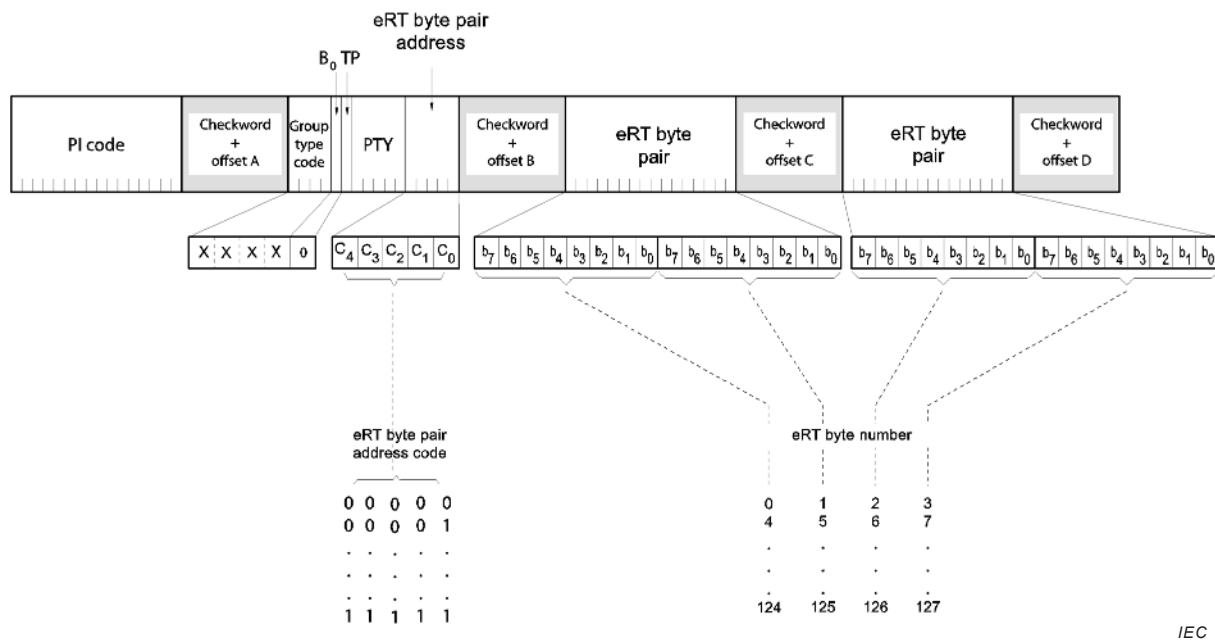


Figure Q.2 – Coding of the message bits of the application group

The maximum number of characters permitted in an eRT text string is 64.

If RT+ (see Annex P) is used with eRT text strings, the RT+ information elements shall be derived from the text string, i.e. for the ‘Start Marker’ and the ‘Length Marker’ determination of any of the two RT+ tags, the eRT text string in terms of the number of characters within the string shall be evaluated, disregarding whether the string is transmitted as either UCS-2 or UTF-8 coded.

The 5-bit text eRT byte pair address code defines the current byte number within the eRT text string, in terms of two byte pairs each, contained in the third and fourth blocks, UCS-2 or UTF-8 coded. Since each text segment per application group, UCS-2 coded, comprises two characters, messages of up to 64 characters in length can be sent. As an example, if the message started with the word "Radio", then, coded in UCS-2, the corresponding hex coded string for bytes (0, 1, 2, 3...) is 0x0052006100640069006F. The text string increases from left to right and for each byte pair the most significant byte is transmitted first.

A new text shall start with eRT byte pair address code ‘0000’ segment and there shall be no gaps up to the highest used segment address of the current message. The number of text segments is determined by the length of the message, and each message shall be ended by the control character ‘carriage return’ (UCS-2 code 0x000D in Table E.3), if the current message requires less than 32 segment addresses.

If a display which has fewer than 64 characters is used to display the enhanced RadioText message, then memory shall be provided in the receiver/decoder, so that elements of the message can be displayed sequentially. This may, for example, be done by displaying elements of text one at a time in sequence, or, alternatively by scrolling the displayed characters of the message.

The display formatting shall be performed according to the value of the default formatting direction bit. Bidirectional (see NOTE) format marks may be used to temporarily change the formatting direction, i.e. to allow an English artist name left-to-right within right-to-left Arabic text. Their scope shall be limited to the eRT message being transmitted.

NOTE For details on coding of bidirectional text formatting refer to ISO/IEC 10646:2014, Annex F.

Control character 'line feed' (UCS-2 code 0x000A in Table E.3), may be inserted to indicate a preferred line break.

The following codes could possibly be used with certain reservations noted.

Control character 'end of headline' (UCS-2 code 0x000B in Table E.3). This marker may be placed anywhere within the first 32 character positions and indicates that the text up to that point is considered by the broadcaster to be the 'headline' portion of the text. It is inserted by the broadcaster on the assumption that a 2 line, 16 character format has been adopted on the receiver. It may stand in place of a space character in the text string.

Control character 'soft hyphen' (UCS-2 code 0x001F in Table E.3). This marker indicates the position(s) in long words where the author of the text would prefer a receiver to break a word between display lines if there is a need to do so. It has application only for multi-line non-scrolling displays.

Q.2.3.2 UCS-2 coding

Enhanced RadioText is transmitted as UCS-2 characters defined in the 2-byte code-table, Table E.3. In an eRT text string, the addresses of the characters and the corresponding eRT byte numbers increase from left to right (see Figure Q.2). Note that in comparison to UTF-8 coding, UCS-2 encoding is quite simple: Each eRT application group always carries two characters, i.e. four bytes. However, this simplicity has also a price: eRT occupies twice the RDS capacity needed for RT, where one 2A group can carry four text characters, each only one byte long.

Q.2.3.3 UTF-8 coding

NOTE For details of UCS Transformation Format 8, see ISO/IEC 10646:2014, Annex D.

As RT text strings are, in comparison to UCS-2 encoded text strings, in terms of the number of bytes required, significantly shorter, and thus require less RDS capacity, UTF-8 encoding becomes very attractive, especially with languages using Latin-based characters. However, in RDS this kind of encoding, attractive as it appears to be on the first look, can create some text decoding problems, specifically if used with RT+. This is due to the fact that the number of bytes needed for a symbol in Table E.3 with UTF-8 encoding will vary between one and two, and then, when RDS reception is not optimal, gaps in a received text string are very likely, as symbols may be spread over two different blocks of the eRT application group. Although the UTF-8 decoder can normally recognise the number of bytes belonging to any given symbol, there is a problem with several non-received bytes in sequence, as then it is not known how many symbols they had represented exactly. Spaces can be substituted for what has been missed, but the exact character positions of the respective RT+ tags can then no longer be exactly determined under such circumstances. Therefore, generally speaking, UTF-8 encoding can be recommended only, when RDS receiving conditions are generally good and with low error rates. Then, at least with Latin-based languages, eRT will not occupy much more RDS capacity than RT in group type 2A.

Q.3 Broadcasting conventions

When eRT RadioText is generally available, 3A type groups shall be transmitted at least every 10 s. During the lifetime of eRT RadioText messages the application groups for eRT shall be sent with a minimum frequency of 4 groups per second.

It may be found from experience that all enhanced RadioText messages should be transmitted at least twice to improve reception reliability.

The transmission capacity of RDS is not sufficient to use normally RT and eRT at the same time, i.e. it shall be either one or the other RadioText mode.

Q.4 Receiving conventions

A space shall be substituted by the receiver for any unrecognised symbol or control character.

The receiver can also remove any unnecessary spaces inserted by broadcasters as padding, before display, to prevent scrolling through strings of blank spaces.

Attention is drawn to the fact that eRT does not use the text flag A/B (see 6.1.5.3) that permits RT to clear previously received RadioText. Therefore, with eRT it is left to the receiver designer to take precautions regarding clearing previously received eRT. Clearing of old eRT is possible without such a text flag, simply by deriving the clearing criteria from previously received eRT application groups.

Q.5 Marking

Equipment implementing eRT RadioText should be marked with the designation 'eRT'.

Annex R (informative)

RBDS in the USA

In the USA, a system known as radio broadcast data system (RBDS) is recognized as a national standard (see US NRSC-4-).

The modulation characteristics, such as sub-carrier frequency, modulation level and data group structure, are the same as for RDS. The main differences between RDS and RBDS are:

- the programme type code names (PTY) are different, to allow for the variations in music category names between European countries and the USA;
- method B of AF identification is not used in RBDS;
- PI codes are based on call letters rather than being assigned by any national authority, as is done throughout the rest of the world.

Generally, RDS car radio receivers are RBDS capable as well; for example by selecting the area mode 'USA', a number of USA specific tuner parameters like MF/AM and VHF/FM search grid are selected. This means that the proper USA–PTY table will be selected as well.

Annex S (normative)

List of RDS specific abbreviations

The abbreviations which are commonly used in context with the Radio Data System are listed below in alphabetical order. Most of these terms are explained in the description of features (see Clause 7).

AF	A lternative F requencies list
AID	A pplications I Dentification for ODA
CI	C ountry I dentifier
CT	C lock T ime and date
DI	D ecoder I dentification
ECC	E xtended C ountry C ode
EG	E xtended G eneric indicator
EON	E nhanced O ther N etworks information
eRT	enhanced R adio T ext
EWS	E mergency W arning S ystem
IH	I n H ouse application
ILS	I nternational L inkage S et indicator
LA	L inkage A ctuator
LI	L inkage I dentifier
LSN	L inkage S et N umber
MS	M usic S peech switch
ODA	O pen D ata A pplications
PI	P rogramme I dentification
PIN	P rogramme I tem N umber
PS	P rogramme S ervice name
PTY	P rogramme T Ype
PTYI	D ynamic P rogramme T Ype I ndicator
PTYN	P rogramme T Ype N ame
RBDS	R adio B roadcast D ata S ystem (see US NRSC-4- and Annex R)
RDS	R adio D ata S ystem
RP	R adio P aging
RT	R adio T ext
RT+	R adio T ext P lus
TA	T raffic A nnouncement flag
TDC	T ransparent D ata C hannels
TMC	T raffic M essage C hannel
TP	T raffic P rogramme flag

See Annex M for abbreviations associated with radio paging.

Bibliography

- [1] ISO 7498 (all parts), *Information processing systems – Open Systems Interconnection – Basic reference model*
- [2] BENNETT, W.R., and DAVEY, J.R., *Data transmissions*
Published by McGraw-Hill, New York, 1965
- [3] PETERSON, W.W., and BROWN, D.T., *Cyclic codes for error detection*
Proceedings of the IRE, No. 49, January 1961, pp. 228-235
- [4] PETERSON, W.W., and WELDON, E.J., *Error-correcting codes*
Published by MIT Press, Cambridge Mass., second edition, 1972
- [5] KASAMI, T., *Optimum shortened cyclic codes for burst error correction*
IEEE Transactions on Information Theory (IT9), No. 4, 1963, pp. 105-109
- [6] HELLMAN, M.E., *Error detection in the presence of synchronisation loss*
IEEE Transactions on Communications COM-23, No. 5, 1975, pp. 538-539
- [7] HELLMAN, M.E., *Error detection made simple*
International Conference on Communication, Minneapolis, Minnesota (USA), June 1974. Conference Record, pp. 9A1-9A4
- [8] EBU (1984): *Specifications of the radio data system RDS for VHF/FM sound broadcasting*. Doc. Tech 3244 and Supplements 1 to 4. European Broadcasting Union
- [9] Swedish Telecommunication Administration (1986): *Paging receiver for the Radio Data System* Doc. 1301/A694 3798 (Alternative B)
- [10] CCIR: Report 900-1 (1986) *Radio-paging systems – Standardization of code and format* (Annex II)
- [11] EBU (1982): *Displayable character sets for broadcast teletext* (2nd edition, 1982 + corrigendum 1983). Doc. Tech 3232. European Broadcasting Union
- [12] EBU (1986): *Specifications of the systems of the MAC/packet family*
Doc. Tech 3258. European Broadcasting Union.
- [13] EBU (1990): *Guidelines for the implementation of the RDS system* Doc. Tech 3260.
- [14] RDS Forum: (1999): *Radio Data System (RDS) Guidelines*
- [15] WRIGHT, S. *The Broadcaster's Guide to RDS*
Published by Focal Press, Boston, Oxford, Johannesburg, Melbourne, New Delhi, Singapore, 1997, ISBN 0-240-80278-0
- [16] KOPITZ, D. and MARKS, B., *RDS – The Radio Data System*
Published by Artech House Publishers, Boston and London, 1999, ISBN 0-89006-744-9.
- [17] SPB 490 v. 7.05, *UECP – RDS Universal Encoder Communication Protocol – RDS Forum Specification, February 2010*
- [18] ISO 8601, *Data elements and interchange formats – Information interchange – Representation of dates and times*

- [19] IEC 62634, *Radio data system (RDS) – Receiver products and characteristics – Methods of measurement*
- [20] ISO 3166, *Codes for the representation of names of countries*
- [21] EN 50067, *Specification of the radio data system (RDS for VHF/FM sound broadcasting in the frequency range from 87,5 to 108,0 MHz*

See also www.rds.org.uk/.

British Standards Institution (BSI)

BSI is the national body responsible for preparing British Standards and other standards-related publications, information and services.

BSI is incorporated by Royal Charter. British Standards and other standardization products are published by BSI Standards Limited.

About us

We bring together business, industry, government, consumers, innovators and others to shape their combined experience and expertise into standards-based solutions.

The knowledge embodied in our standards has been carefully assembled in a dependable format and refined through our open consultation process. Organizations of all sizes and across all sectors choose standards to help them achieve their goals.

Information on standards

We can provide you with the knowledge that your organization needs to succeed. Find out more about British Standards by visiting our website at bsigroup.com/standards or contacting our Customer Services team or Knowledge Centre.

Buying standards

You can buy and download PDF versions of BSI publications, including British and adopted European and international standards, through our website at bsigroup.com/shop, where hard copies can also be purchased.

If you need international and foreign standards from other Standards Development Organizations, hard copies can be ordered from our Customer Services team.

Subscriptions

Our range of subscription services are designed to make using standards easier for you. For further information on our subscription products go to bsigroup.com/subscriptions.

With **British Standards Online (BSOL)** you'll have instant access to over 55,000 British and adopted European and international standards from your desktop. It's available 24/7 and is refreshed daily so you'll always be up to date.

You can keep in touch with standards developments and receive substantial discounts on the purchase price of standards, both in single copy and subscription format, by becoming a **BSI Subscribing Member**.

PLUS is an updating service exclusive to BSI Subscribing Members. You will automatically receive the latest hard copy of your standards when they're revised or replaced.

To find out more about becoming a BSI Subscribing Member and the benefits of membership, please visit bsigroup.com/shop.

With a **Multi-User Network Licence (MUNL)** you are able to host standards publications on your intranet. Licences can cover as few or as many users as you wish. With updates supplied as soon as they're available, you can be sure your documentation is current. For further information, email bsmusales@bsigroup.com.

BSI Group Headquarters

389 Chiswick High Road London W4 4AL UK

Revisions

Our British Standards and other publications are updated by amendment or revision.

We continually improve the quality of our products and services to benefit your business. If you find an inaccuracy or ambiguity within a British Standard or other BSI publication please inform the Knowledge Centre.

Copyright

All the data, software and documentation set out in all British Standards and other BSI publications are the property of and copyrighted by BSI, or some person or entity that owns copyright in the information used (such as the international standardization bodies) and has formally licensed such information to BSI for commercial publication and use. Except as permitted under the Copyright, Designs and Patents Act 1988 no extract may be reproduced, stored in a retrieval system or transmitted in any form or by any means – electronic, photocopying, recording or otherwise – without prior written permission from BSI. Details and advice can be obtained from the Copyright & Licensing Department.

Useful Contacts:

Customer Services

Tel: +44 845 086 9001

Email (orders): orders@bsigroup.com

Email (enquiries): cservices@bsigroup.com

Subscriptions

Tel: +44 845 086 9001

Email: subscriptions@bsigroup.com

Knowledge Centre

Tel: +44 20 8996 7004

Email: knowledgecentre@bsigroup.com

Copyright & Licensing

Tel: +44 20 8996 7070

Email: copyright@bsigroup.com



...making excellence a habit.™