

BS EN 60728-1:2014



BSI Standards Publication

# Cable networks for television signals, sound signals and interactive services

Part 1: System performance of forward paths

**bsi.**

...making excellence a habit.™

### National foreword

This British Standard is the UK implementation of EN 60728-1:2014. It is identical to IEC 60728-1:2014. It supersedes BS EN 60728-1:2008 which is withdrawn.

The UK participation in its preparation was entrusted by Technical Committee EPL/100, Audio, video and multimedia systems and equipment, to Subcommittee EPL/100/4, Cable distribution equipment and systems.

A list of organizations represented on this committee can be obtained on request to its secretary.

This publication does not purport to include all the necessary provisions of a contract. Users are responsible for its correct application.

© The British Standards Institution 2014.  
Published by BSI Standards Limited 2014

ISBN 978 0 580 79843 6  
ICS 33.060.40

### Compliance with a British Standard cannot confer immunity from legal obligations.

This British Standard was published under the authority of the Standards Policy and Strategy Committee on 30 September 2014.

### Amendments/corrigenda issued since publication

Date	Text affected
------	---------------

---

English Version

Cable networks for television signals, sound signals and  
interactive services - Part 1: System performance of forward  
paths  
(IEC 60728-1:2014)

Réseaux de distribution par câbles pour signaux de  
télévision, signaux de radiodiffusion sonore et services  
interactifs - Partie 1: Caractéristiques des systèmes de voie  
directe  
(CEI 60728-1:2014)

Kabelnetze für Fernsehsignale, Tonsignale und interaktive  
Dienste - Teil 1: Systemanforderungen in Vorwärtsrichtung  
(IEC 60728-1:2014)

This European Standard was approved by CENELEC on 2014-06-27. CENELEC members are bound to comply with the CEN/CENELEC Internal Regulations which stipulate the conditions for giving this European Standard the status of a national standard without any alteration.

Up-to-date lists and bibliographical references concerning such national standards may be obtained on application to the CEN-CENELEC Management Centre or to any CENELEC member.

This European Standard exists in three official versions (English, French, German). A version in any other language made by translation under the responsibility of a CENELEC member into its own language and notified to the CEN-CENELEC Management Centre has the same status as the official versions.

CENELEC members are the national electrotechnical committees of Austria, Belgium, Bulgaria, Croatia, Cyprus, the Czech Republic, Denmark, Estonia, Finland, Former Yugoslav Republic of Macedonia, France, Germany, Greece, Hungary, Iceland, Ireland, Italy, Latvia, Lithuania, Luxembourg, Malta, the Netherlands, Norway, Poland, Portugal, Romania, Slovakia, Slovenia, Spain, Sweden, Switzerland, Turkey and the United Kingdom.



European Committee for Electrotechnical Standardization  
Comité Européen de Normalisation Electrotechnique  
Europäisches Komitee für Elektrotechnische Normung

CEN-CENELEC Management Centre: Avenue Marnix 17, B-1000 Brussels

## Foreword

The text of document 100/2269/FDIS, future edition 5 of IEC 60728-1, prepared by Technical Area 5 "Cable networks for television signals, sound signals and interactive services" of IEC/TC 100 "Audio, video and multimedia systems and equipment" was submitted to the IEC-CENELEC parallel vote and approved by CENELEC as EN 60728-1:2014.

The following dates are fixed:

- latest date by which the document has to be implemented at national level by publication of an identical national standard or by endorsement (dop) 2015-03-27
- latest date by which the national standards conflicting with the document have to be withdrawn (dow) 2017-06-27

This document supersedes EN 60728-1:2008.

Attention is drawn to the possibility that some of the elements of this document may be the subject of patent rights. CENELEC [and/or CEN] shall not be held responsible for identifying any or all such patent rights.

For this European Standard the informative Annex K of IEC 60728-1:2014 shall be disregarded and has been replaced by the informative Annex ZB "A-deviations".

Annexes ZA and ZB have been added by CENELEC.

## Endorsement notice

The text of the International Standard IEC 60728-1:2014 was approved by CENELEC as a European Standard without any modification.

In the official version, for Bibliography, the following notes have to be added for the standards indicated:

IEC 60728 Series	NOTE	Harmonized as EN 60728 Series (not modified).
IEC 61169-2	NOTE	Harmonized as EN 61169-2 (not modified).
IEC 61169-24	NOTE	Harmonized as EN 61169-24 (not modified).
CISPR 16-1 Series	NOTE	Harmonized as EN 55016-1 Series (not modified).
ISO/IEC 13818 Series	NOTE	Harmonized as EN ISO/IEC 13818 Series <sup>1)</sup> (not modified).
ISO/IEC 13818-3	NOTE	Harmonized as EN ISO/IEC 13818-3 <sup>1)</sup> (not modified).

---

<sup>1)</sup> Withdrawn.

## Annex ZA (normative)

### Normative references to international publications with their corresponding European publications

The following documents, in whole or in part, are normatively referenced in this document and are indispensable for its application. For dated references, only the edition cited applies. For undated references, the latest edition of the referenced document (including any amendments) applies.

NOTE 1 When an International Publication has been modified by common modifications, indicated by (mod), the relevant EN/HD applies.

NOTE 2 Up-to-date information on the latest versions of the European Standards listed in this annex is available here: [www.cenelec.eu](http://www.cenelec.eu)

<u>Publication</u>	<u>Year</u>	<u>Title</u>	<u>EN/HD</u>	<u>Year</u>
		Characteristics of DAB receivers	EN 50248	2001
IEC 60050-705	-	International Electrotechnical Vocabulary (IEV) - Chapter 705: Radio wave propagation	-	-
IEC 60050-712	1992	International Electrotechnical Vocabulary (IEV) - Chapter 712: Antennas	-	-
IEC 60050-725	-	International Electrotechnical Vocabulary (IEV) - Chapter 725: Space radiocommunications	-	-
IEC 60728-1-1	-	Cable networks for television signals, sound signals and interactive services - Part 1-1: RF cabling for two way home networks	EN 60728-1-1	-
IEC 60728-1-2	-	Cable networks for television signals, sound signals and interactive services - Part 1-2: Performance requirements or signals delivered at the system outlet in operation	EN 60728-1-2	-
IEC 60728-2	-	Cable networks for television signals, sound signals and interactive services - Part 2: Electromagnetic compatibility for equipment	EN 50083-2	-
IEC 60728-3	2010	Cable networks for television signals, sound signals and interactive services - Part 3: Active wideband equipment for cable networks	EN 60728-3	2011
IEC 60728-5	-	Cable networks for television signals, sound signals and interactive services - Part 5: Headend equipment	EN 60728-5	-
IEC 60728-10	-	Cable networks for television signals, sound signals and interactive services - Part 10: System performance of return paths	EN 60728-10	-

IEC 60728-11	-	Cable networks for television signals, sound signals and interactive services - Part 11: Safety	EN 60728-11	-
IEC 60728-12	-	Cabled distribution systems for television and sound signals - Part 12: Electromagnetic compatibility of systems	EN 50083-8	-
IEC 60966-2-4	-	Radio frequency and coaxial cable assemblies - Part 2-4: Detail specification for cable assemblies for radio and TV receivers - Frequency range 0 MHz to 3 000 MHz, IEC 61169-2 connectors	EN 60966-2-4	-
IEC 60966-2-5	-	Radio frequency and coaxial cable assemblies - Part 2-5: Detail specification for cable assemblies for radio and TV receivers - Frequency range 0 MHz to 1 000 MHz, IEC 61169-2 connectors	EN 60966-2-5	-
IEC 60966-2-6	-	Radio frequency and coaxial cable assemblies - Part 2-6: Detail specification for cable assemblies for radio and TV receivers - Frequency range 0 MHz to 3 000 MHz, IEC 61169-24 connectors	EN 60966-2-6	-
ISO/IEC 13818-1	2007	Information technology - Generic coding of moving pictures and associated audio information: Systems		-
ISO/IEC 13818-4		Information technology - Generic coding of moving pictures and associated audio information - Part 4: Conformance testing		-
ISO/IEC 14496-1	-	Information technology - Coding of audio-visual objects - Part 1: Systems		-
ITU-R Recommendation BS.412-9	-	Planning standards for terrestrial FM sound-broadcasting at VHF		-
ITU-R Recommendation BT.417-4		Minimum field strengths for which protection may be sought in planning an analogue terrestrial television service		-
ITU-R Recommendation BT.470-7	-	Conventional analogue television systems		-
ITU-R Recommendation BT.500-11	-	Methodology for the subjective assessment-of the quality of television pictures		-
ITU-T Recommendation J.61	-	Transmission performance of television circuits designed for use in international connections		-

ETSI EN 300 421	-	Digital Video Broadcasting (DVB): Framing - structure, channel coding and modulation for 11/12 GHz satellite services	-
ETSI EN 300 429	-	Digital Video Broadcasting (DVB): Framing - structure, channel coding and modulation for cable systems	-
ETSI EN 300 468	-	Digital Video Broadcasting (DVB); - Specification for Service Information (SI) in DVB systems	-
ETSI EN 300 473	-	Digital Video Broadcasting (DVB): Satellite - Master Antenna Television (SMATV) distribution systems	-
ETSI EN 300 744	-	Digital Video Broadcasting (DVB): Framing - structure, channel coding and modulation for digital terrestrial television	-
ETSI EN 302 307/V1.3.1	2013	Digital Video Broadcasting (DVB); Second - generation framing structure, channel coding and modulation systems for Broadcasting, Interactive Services, News Gathering and other broadband satellite applications (DVB-S2)	-
ETSI ETS 300 784	-	Satellite Earth Stations and Systems (SES);Television Receive-Only (TVRO) satellite earth stations operating in the 11/12 GHz frequency bands	-
ETSI TS 101 211	-	Digital Video Broadcasting (DVB); - Guidelines on implementation and usage of Service Information (SI)	-
ETSI TS 102 831 V1.2.1	2012	Digital Video Broadcasting (DVB); - Implementation guidelines for a second generation digital terrestrial television broadcasting system (DVB-T2)	-

## **Annex ZB** (informative)

### **A-deviations**

**A-deviation:** National deviation due to regulations, the alteration of which is for the time being outside the competence of the CENELEC national member.

This European Standard does not fall under any Directive of the EC.

In the relevant CENELEC countries these A-deviations are valid instead of the provisions of the European Standard until they have been removed.

#### Clause   Deviation

##### **3.1.58 Norway**

According to Regulations on Electronic Communications Networks and Services (Ecom Regulations) laid down by the Norwegian Ministry of Transport and Communications on 16 February 2004, the following applies:

When installing coaxial cable-based networks, the part of the network to which the end-user is connected shall be placed in a star structure. It is not permitted to insert receiver connections into the connection between the star points.

##### **5.4.1 Netherlands**

(Dutch Technical Regulations for CATV networks (Technische Voorschriften voor Centrale Antenne Inrichtingen, 3e uitgave), 21 December 1977, which are valid for CATV networks in accordance with Article 21 of the Dutch Telecommunications law (Stb. 1988, 520))

Replace by/add the following “minimum and maximum carrier levels” regulation as indicated in Table ZB.1.

**Table ZB.1 – Carrier signal levels at any system outlet**

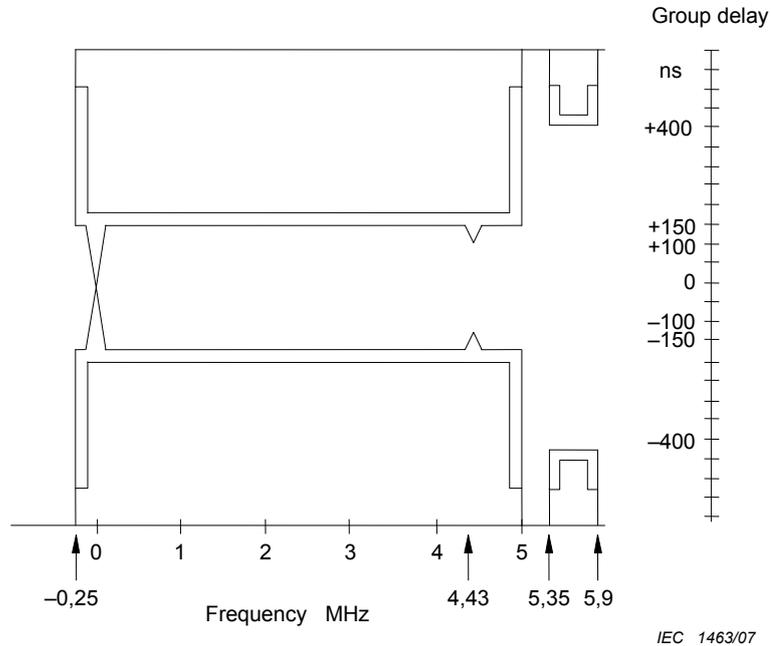
FM sound mono:	80 dB( $\mu$ V) <sub>max</sub>
----------------	--------------------------------

(measured in accordance with CISPR 16-1 [4] (quasi-peak measurement within 120 kHz bandwidth))

**5.6.2 Netherlands**

(Dutch Technical Regulations for CATV networks (Technische Voorschriften voor Centrale Antenne Inrichtingen, 3e uitgave), 21 December 1977, which are valid for CATV networks in accordance with Article 21 of the Dutch Telecommunications law (Stb. 1988, 520))

Add the group delay response curve valid for PAL with FM-FM sound (Clause 5.4.1), as shown in Figure ZB.1.



**Figure ZB.1 – Mask group delay characteristic for PAL signals with FM-FM sound**

**5.9.1 Netherlands**

(Dutch Technical Regulations for CATV networks (Technische Voorschriften voor Centrale Antenne Inrichtingen, 3e uitgave), 21 December 1977, which are valid for CATV networks in accordance with Article 21 of the Dutch Telecommunications law (Stb. 1988, 520))

Replace by/add the following “single-frequency interference” regulation as indicated in Table ZB.2.

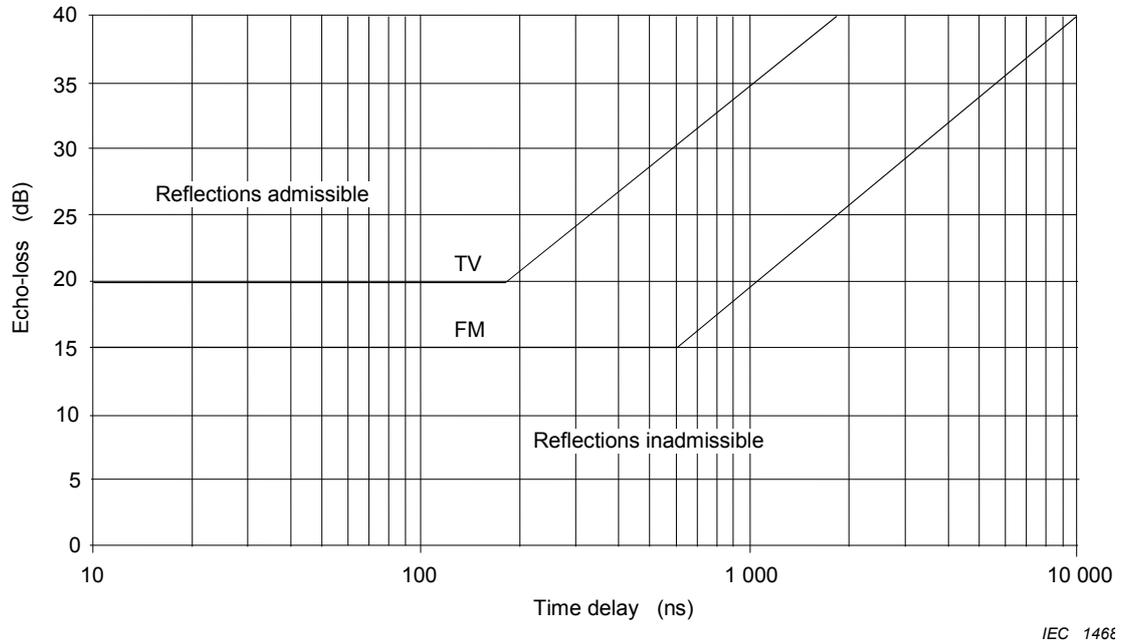
**Table ZB.2 – Single-frequency interference**

AM-VSB-PAL-signals:	$C/I \geq 60$ dB	(measured in a bandwidth of 300 kHz)
For signals outside used TV channels:	$C/I \geq 40$ dB	

**5.10.2 Netherlands**

(Dutch Technical Regulations for CATV networks (Technische Voorschriften voor Centrale Antenne Inrichtingen, 3e uitgave), 21 December 1977, which are valid for CATV networks in accordance with Article 21 of the Dutch Telecommunications law (Stb. 1988, 520))

Replace the requirements for “echoes in television channels, PAL-SECAM standards” by the “requirement for echo loss in relation to the time delay of the reflected signal for AM-PAL-TV and FM-radio” (Figure ZB.2).



**Figure ZB.2 – Requirement for echo loss in relation to the time delay of the reflected signal**

**5.12.1 Denmark**

(Danish technical regulations for CATV-networks, which are applicable to those networks in accordance with national legislation act. nr; 277 of June 1995, given by the Ministry of Research)

Add the requirement for “decoding margin” being “the decoding margin must be 40 %, when the margin is a minimum of 70 % at the receiving antenna”.

**5.14.3 Netherlands**

(Dutch Technical Regulations for CATV networks (Technische Voorschriften voor Centrale Antenne Inrichtingen, 3e uitgave), 21 December 1977, which are valid for CATV networks in accordance with Article 21 of the Dutch Telecommunications law (Stb. 1988, 520))

Add the requirement for “adjacent channel spacing” by  $\geq 400$  kHz.

## CONTENTS

INTRODUCTION.....	12
1 Scope.....	13
2 Normative references .....	13
3 Terms, definitions, symbols and abbreviations.....	15
3.1 Terms and definitions.....	15
3.2 Symbols.....	27
3.3 Abbreviations.....	29
4 Methods of measurement at system outlet.....	31
4.1 Performance limits .....	31
4.2 Mutual isolation between system outlets .....	33
4.2.1 Overview .....	33
4.2.2 Equipment required .....	33
4.2.3 Connection of the equipment .....	34
4.2.4 Measurement procedure .....	34
4.2.5 Presentation of the results .....	35
4.3 Amplitude response within a channel .....	35
4.3.1 Overview .....	35
4.3.2 Equipment required .....	35
4.3.3 Connection of the equipment .....	35
4.3.4 Measurement procedure .....	36
4.3.5 Presentation of the results.....	37
4.4 Chrominance-luminance gain and delay inequalities .....	38
4.4.1 Overview .....	38
4.4.2 Equipment required .....	39
4.4.3 Connection of the equipment .....	39
4.4.4 Measurement procedure .....	39
4.4.5 Presentation of the results .....	40
4.5 Non-linear distortion.....	41
4.5.1 General .....	41
4.5.2 Intermodulation.....	41
4.5.3 Composite beat .....	41
4.5.4 Composite crossmodulation .....	45
4.5.5 Intermodulation noise .....	46
4.5.6 Hum modulation of carriers.....	46
4.5.7 Differential gain and phase.....	51
4.6 Carrier-to-noise ratio.....	56
4.6.1 Overview .....	56
4.6.2 Equipment required .....	56
4.6.3 Connection of the equipment .....	56
4.6.4 Measurement set-up.....	57
4.6.5 Measurement procedure .....	57
4.6.6 Presentation of the results .....	58
4.7 Echoes .....	58
4.7.1 Overview .....	58
4.7.2 Equipment required .....	59

4.7.3	Connection of the equipment .....	59
4.7.4	Measurement procedure .....	59
4.7.5	Presentation of the results .....	60
4.8	AM-VSB television, FM radio and FM television signal level .....	60
4.8.1	General .....	60
4.8.2	Definitions for NTSC, PAL and SECAM systems .....	60
4.8.3	Equipment required .....	60
4.8.4	Measurement procedure .....	60
4.8.5	Presentation of the results .....	61
4.9	Data echo rating and data delay inequality .....	61
4.10	Interference in FM sound radio channels .....	61
4.11	Methods of measurement for digitally modulated signals .....	61
4.11.1	Overview .....	61
4.11.2	Basic assumptions and measurement interfaces .....	62
4.11.3	Signal level for digitally modulated signals .....	65
4.11.4	RF signal-to-noise ratio $S_{D,RF}/N$ for digitally modulated signals .....	66
4.11.5	Bit error ratio (BER) .....	68
4.11.6	BER versus $E_b/N_0$ or $C/N$ .....	69
4.11.7	Noise margin .....	73
4.11.8	Modulation error ratio (MER) .....	74
4.11.9	Phase jitter .....	76
4.11.10	Phase noise of an RF carrier .....	79
5	Performance requirements at system outlet .....	82
5.1	General .....	82
5.2	Impedance .....	82
5.3	Requirements at the terminal input .....	82
5.3.1	General .....	82
5.3.2	Signal level .....	83
5.3.3	Other parameters .....	83
5.4	Carrier levels at system outlets .....	83
5.4.1	Minimum and maximum carrier levels .....	83
5.4.2	Carrier level differences .....	85
5.5	Mutual isolation between system outlets .....	86
5.5.1	Isolation between two subscribers .....	86
5.5.2	Isolation between individual outlets in one household .....	86
5.5.3	Isolation between forward and return path .....	86
5.6	Frequency response within a television channel at any system outlet .....	87
5.6.1	Amplitude response .....	87
5.6.2	Group delay .....	87
5.7	Long-term frequency stability of distributed carrier signals at any system outlet .....	88
5.8	Random noise .....	89
5.9	Interference to television channels .....	91
5.9.1	Single-frequency interference .....	91
5.9.2	Single-channel intermodulation interference .....	92
5.9.3	Multiple frequency intermodulation interference .....	92
5.9.4	Intermodulation noise .....	92
5.9.5	Cross-modulation .....	93

5.10	Video baseband requirements.....	93
5.10.1	Differential gain and phase in any television channel.....	93
5.10.2	Echoes.....	93
5.11	Hum modulation of carriers in television channels.....	93
5.12	Requirements for data signal transmission.....	94
5.12.1	Data signals carried in the structure of a television signal.....	94
5.12.2	Data signals other than those carried within the structure of a television signal.....	94
5.13	Digitally modulated signals – Additional performance requirements.....	94
5.13.1	DVB (PSK, QAM, OFDM) performance.....	94
5.13.2	NICAM performance.....	96
5.13.3	DAB performance.....	96
5.14	FM sound radio – Additional performance requirements.....	97
5.14.1	Amplitude response within an FM channel.....	97
5.14.2	Phase response within an FM channel.....	97
5.14.3	Interference within an FM channel.....	97
5.14.4	AM hum modulation on FM sound carriers.....	97
5.14.5	Echoes within an FM channel.....	97
6	Performance requirements at receiving antennas.....	97
6.1	General.....	97
6.2	Method of measurement of field strength.....	98
6.2.1	Overview.....	98
6.2.2	Equipment required.....	98
6.2.3	Connection of the equipment.....	98
6.2.4	Measurement procedure.....	98
6.2.5	Presentation of the results.....	100
6.3	Requirements.....	100
6.3.1	General.....	100
6.3.2	Field strength requirements.....	100
6.3.3	Quality of received signals.....	102
6.3.4	Safety.....	106
6.3.5	Electromagnetic compatibility (EMC).....	107
6.4	Interference reduction.....	107
6.4.1	General.....	107
6.4.2	Active antennas.....	107
7	Performance requirements at home network interfaces of cable networks.....	107
7.1	General.....	107
7.2	Requirements at HNI1 for passive coaxial home networks.....	108
7.2.1	General.....	108
7.2.2	Carrier levels at the HNI1.....	109
7.2.3	Mutual isolation between two HNI1.....	112
7.2.4	Frequency response within any television channel at HNI1.....	112
7.2.5	Long-term frequency stability of distributed carrier signals at HNI1.....	113
7.2.6	Random noise at the HNI1.....	113
7.2.7	Interference to television channels at HNI1.....	113
7.2.8	Return path requirements at HNI1.....	114
7.3	Requirements at HNI2 for active coaxial home networks.....	114
7.3.1	General.....	114

7.3.2	Carrier levels at the HNI2 .....	114
7.3.3	Mutual isolation between two HNI2 .....	117
7.3.4	Frequency response within any television channel at HNI2 .....	117
7.3.5	Long-term frequency stability of distributed carrier signals at HNI2 .....	117
7.3.6	Random noise at HNI2 .....	118
7.3.7	Interference to television channels at the HNI2 .....	121
7.3.8	Return path requirements at HNI2 .....	122
7.4	Requirements at HNI3 and at system outlet or terminal input when the home network is mainly of balanced type .....	122
7.4.1	Overview .....	122
7.4.2	Requirements at HNI3 .....	122
7.4.3	Requirements at system output .....	123
7.4.4	Additional requirements at HNI3 for upstream transmission .....	123
7.5	Requirements at HNI3 (Case C) .....	124
7.6	Requirements at HNI3 (Case D) .....	124
Annex A (informative) Reception of television signals .....		125
Annex B (normative) Calibration of modulation depth .....		130
B.1	Equipment required .....	130
B.2	Connection of the equipment .....	130
B.3	Calibration procedure .....	130
Annex C (normative) Equipment required – Additional items .....		131
C.1	Measuring receiver preamplifier .....	131
C.2	Measuring receiver input filter .....	131
Annex D (normative) Preliminary checks on the measuring equipment for carrier-to-noise ratio .....		132
D.1	Noise .....	132
D.2	Intermodulation .....	132
D.3	Overload .....	132
Annex E (normative) Correction factors .....		133
E.1	Level correction factor $C_m$ .....	133
E.2	Bandwidth correction factor $C_b$ .....	133
Annex F (normative) Calibration of the measuring receiver .....		134
Annex G (normative) Correction factors for noise .....		135
G.1	Signal level measurement .....	135
G.2	Noise level measurement .....	135
Annex H (normative) Null packet and PRBS definitions .....		137
H.1	Null packet definition .....	137
H.2	PRBS definition .....	138
Annex I (normative) Digital signal level and bandwidth .....		139
I.1	RF/IF power (carrier) .....	139
I.2	Bandwidth of a digital signal .....	139
I.2.1	Occupied bandwidth .....	139
I.2.2	Noise bandwidth .....	140
I.2.3	Equivalent signal bandwidth .....	140
I.3	Examples .....	141
Annex J (normative) Correction factor for a spectrum analyser .....		142
Annex K (informative) Differences in some countries .....		143

K.1	Subclause 3.1.58, Norway .....	143
K.2	Subclause 5.4.1, Japan, Netherlands .....	143
	K.2.1    Japan .....	143
	K.2.2    Netherlands .....	143
K.3	Subclause 5.4.2, Japan .....	143
K.4	Subclause 5.5.1, Japan .....	144
K.5	Subclause 5.6.1, Japan .....	145
K.6	Subclause 5.6.2, Netherlands .....	145
K.7	Subclause 5.7, Japan .....	146
K.8	Subclause 5.8, Japan .....	146
K.9	Subclause 5.9.1, Japan, Netherlands .....	147
	K.9.1    Japan .....	147
	K.9.2    Netherlands .....	148
K.10	Subclause 5.9.5, Japan .....	149
K.11	Subclause 5.10.2, Netherlands, Japan .....	149
	K.11.1    Netherlands .....	149
	K.11.2    Japan .....	149
K.12	Subclause 5.11, Japan .....	150
K.13	Subclause 5.12.1, Denmark .....	151
K.14	Subclause 5.13.1.5, Japan .....	151
K.15	Subclause 5.14.3, Netherlands .....	151
K.16	Clause 7, Japan .....	151
	Bibliography .....	152
	Figure 1 – Arrangement of test equipment for measurement of mutual isolation between system outlets .....	34
	Figure 2 – Arrangement of test equipment for measurement of frequency response within a channel .....	36
	Figure 3 – Interpretation of displays for measurement of frequency response within a channel .....	37
	Figure 4 – Test signal (signal <i>F</i> for 625-line systems) employed for chrominance/luminance gain and delay inequality .....	38
	Figure 5 – Test signal (signal B2 for 625-line systems) employed for chrominance/luminance gain and delay inequality .....	38
	Figure 6 – Arrangement of test equipment for measurement of chrominance/luminance gain and delay inequality .....	39
	Figure 7 – Displayed pulses: chrominance low and lagging .....	40
	Figure 8 – Displayed pulses: chrominance high and leading .....	40
	Figure 9 – Connection of test equipment for the measurement of non-linear distortion by composite beat .....	42
	Figure 10 – Weighting curve for 625-line system B, G and D1 (PAL): CW interference with no special (frequency offset) control .....	44
	Figure 11 – Weighting curve for 625-line system I (PAL): CW interference with no special (frequency offset) control .....	44
	Figure 12 – Weighting curve for 625-line systems D and K (PAL): CW interference with no special (frequency offset) control .....	45
	Figure 13 – Weighting curve for 625-line system L (SECAM): CW interference with no special (frequency offset) control .....	45
	Figure 14 – Hum modulation envelope .....	46

Figure 15 – Calibrated potential divider.....	47
Figure 16 – Stable variable DC source.....	47
Figure 17 – Connection of equipment for measurement of hum modulation (DC method).....	48
Figure 18 – Oscilloscope display.....	49
Figure 19 – Connection of equipment for hum modulation measurement (AC method).....	50
Figure 20 – Signal D2.....	52
Figure 21 – Example of the modified staircase waveform.....	53
Figure 22 – Arrangement of test equipment for measurement of differential gain and phase.....	54
Figure 23 – Arrangement of test equipment for carrier-to-noise ratio measurement.....	56
Figure 24 – Echo rating graticule.....	58
Figure 25 – Arrangement of test equipment for measurement of echo rating.....	59
Figure 26 – PSK modulation (QPSK, BPSK or TC8PSK).....	62
Figure 27 – DVB-S2 modulation (QPSK, 8PSK, 16APSK, 32APSK).....	62
Figure 28 – DVB-C QAM modulation.....	62
Figure 29 – DVB-T OFDM modulation.....	63
Figure 30 – DVB-T2 OFDM modulation.....	63
Figure 31 – Reference receiver for PSK demodulation (QPSK, BPSK or TC8PSK).....	63
Figure 32 – Reference receiver for DVB-S2 demodulation (QPSK, 8PSK, 16APSK, 32APSK).....	64
Figure 33 – Reference receiver for QAM demodulation.....	64
Figure 34 – Reference receiver for DVB-T OFDM demodulation.....	64
Figure 35 – Reference receiver (buffer model) for DVB-T2 OFDM demodulation.....	64
Figure 36 – Test set-up for BER measurement.....	69
Figure 37 – Test set-up for BER measurement versus $E_b/N_0$ or $C/N$ and noise margin measurement.....	70
Figure 38 – Example of <i>BER</i> measurement versus $E_b/N_0$ .....	72
Figure 39 – Example of <i>BER</i> measurement versus $C/N$ .....	72
Figure 40 – Test set-up for modulation error ratio (MER) measurement and phase jitter measurement.....	75
Figure 41 – Example of constellation diagram for a 64 QAM modulation format.....	76
Figure 42 – Example of constellation diagram for a 64 QAM modulation format with arc sections due to phase jitter.....	78
Figure 43 – Test set-up for phase noise measurement.....	79
Figure 44 – Example of mask for phase noise measurements: PSK, APSK and QAM formats.....	81
Figure 45 – Example of mask for phase noise measurements: OFDM format.....	81
Figure 46 – Home network types used to define the requirements at HNI1 (coaxial).....	108
Figure A.1 – Example of a master antenna television system (MATV) for terrestrial reception.....	126
Figure A.2 – Example of the headend of a master antenna television system for satellite (SMATV) reception.....	127
Figure A.3 – Example of a master antenna television system for terrestrial and satellite (SMATV) reception.....	127
Figure A.4 – Example of a cabled distribution system for television and sound signals.....	128

Figure A.5 – System model for downstream direction of a cable network for television and sound signals (CATV) .....	129
Figure B.1 – Calibration of modulation depth .....	130
Figure G.1 – Noise correction factor $CF$ versus measured level difference $D$ .....	136
Figure K.1 – Mask group delay characteristic for PAL signals with FM-FM sound (Netherlands).....	145
Figure K.2 – Single-frequency interference (VSB-AM NTSC) (Japan).....	147
Figure K.3 – Single-frequency interference (64 QAM digital) (Japan) .....	148
Figure K.4 – Single-frequency interference (256 QAM digital) (Japan) .....	148
Figure K.5 – Requirement for echo loss in relation to the time delay of the reflected signal (Netherlands).....	149
Figure K.6 – Echoes (VSB-AM NTSC) (Japan).....	150
Figure K.7 – Echoes (FM NTSC) (Japan).....	150
Table 1 – Application of the methods of measurement .....	32
Table 2 – Residual carrier reduction factors .....	49
Table 3 – Frequency distance $f_m$ .....	81
Table 4 – Carrier signal levels at any system outlet (analogue signals).....	83
Table 5 – RF signal levels at any system outlet (digital signals).....	84
Table 6 – Maximum level differences at any system outlet between distributed television channels .....	85
Table 7 – Mutual isolation .....	86
Table 8 – Residual carrier level at television or FM radio output within the same outlet or between two different outlets .....	87
Table 9 – Amplitude response variation .....	87
Table 10 – Group delay variation .....	88
Table 11 – Maximum deviation of the conversion frequency for digitally modulated DVB signals .....	89
Table 12 – Carrier-to-noise ratios at system outlet (analogue television).....	89
Table 13 – RF signal-to noise ratio at system outlet (digital television) .....	90
Table 14 – Carrier-to-noise ratios at the system outlet (sound radio) .....	91
Table 15 – Differential gain and phase in television channels .....	93
Table 16 – Modulation error ratio MER of DVB signals.....	95
Table 17 – Phase jitter of a DVB signal.....	95
Table 18 – Phase noise of a DVB signal (PSK, APSK and QAM) .....	96
Table 19 – Phase noise of a DVB-T signal (COFDM) .....	96
Table 20 – Minimum field strength levels recommended by ITU-R.....	101
Table 21 – Minimum field strength levels recommended by CEPT:1997 .....	101
Table 22 – Minimum signal level at the headend input for the reception of analogue sound broadcasting.....	102
Table 23 – Minimum signal level at the headend input for the reception of analogue television broadcasting .....	102
Table 24 – Minimum signal level at the headend input for the reception of DAB signals at an error ratio of $1 \times 10^{-4}$ and code rate 1/2 .....	103
Table 25 – Minimum signal level and RF signal-to-noise ratio at the headend input for stationary reception of DVB-T signals .....	103

Table 26 – Minimum signal-to-noise ratio $S_{D,RF}/N$ at the headend input for DVB-T2 signals (LDPC block length 64 800 bit) .....	104
Table 27 – Minimum signal level and carrier-to-noise ratio at the headend input for the reception of FM modulated satellite signals.....	104
Table 28 – Minimum RF signal-to-noise ratio at the headend input for the reception of DVB-S or DVB-S2 satellite signals (AWGN channel and FECFRAME length of 64 800) .....	105
Table 29 – Minimum values for signal-to-disturbance ratio .....	105
Table 30 – Minimum values for signal-to-echo ratio .....	106
Table 31 – Signal level at HNI1 (analogue signals) .....	109
Table 32 – Signal level at HNI1 (digital signals) .....	110
Table 33 – Maximum level differences at HNI1 .....	111
Table 34 – Mutual isolation between two HNI1 .....	112
Table 35 – Amplitude response variation at HNI1 .....	112
Table 36 – Group delay variation at HNI1 .....	113
Table 37 – Signal level at HNI2 (analogue signals) .....	114
Table 38 – Signal level at HNI2 (digital signals) .....	115
Table 39 – Maximum level differences at HNI2 .....	116
Table 40 – Amplitude response variation at HNI2.....	117
Table 41 – Group delay variation at HNI2 .....	117
Table 42 – Carrier-to-noise ratios at HNI2 (analogue television) .....	118
Table 43 – RF signal-to-noise ratios at HNI2 (digital television) .....	119
Table 44 – Carrier-to-noise ratios at HNI2 (sound radio) .....	120
Table 45 – Minimum signal level at coaxial terminal input (case A) or at coaxial system outlet (case B) .....	123
Table G.1 – Noise correction factor.....	135
Table H.1 – Null transport stream packet definition .....	138
Table I.1 – Examples of bandwidths for digital modulation techniques .....	141
Table K.1 – Carrier signal levels at any system outlet (Japan) .....	143
Table K.2 – Carrier signal levels at any system outlet (Netherlands).....	143
Table K.3 – Maximum level differences at any system outlet between distributed television channels (Japan) .....	144
Table K.4 – Mutual isolation (Japan).....	144
Table K.5 – Amplitude response variation (Japan) .....	145
Table K.6 – Frequency stability requirements (Japan).....	146
Table K.7 – Carrier-to-noise ratios at system outlet (Japan).....	146
Table K.8 – Single-frequency interference (Japan).....	147
Table K.9 – Single-frequency interference (Netherlands) .....	148
Table K.10 – Cross-modulation (Japan) .....	149
Table K.11 – Echoes requirements (Japan).....	149
Table K.12 – Hum modulation of carriers in television channels (Japan) .....	150
Table K.13 – Phase noise of an RF carrier (Japan).....	151

## INTRODUCTION

Standards and deliverables of the IEC 60728 series deal with cable networks including equipment and associated methods of measurement for headend reception, processing and distribution of television and sound signals and for processing, interfacing and transmitting all kinds of data signals for interactive services using all applicable transmission media. These signals are typically transmitted in networks by frequency-multiplexing techniques.

This includes for instance

- regional and local broadband cable networks,
- extended satellite and terrestrial television distribution systems,
- individual satellite and terrestrial television receiving systems,

and all kinds of equipment, systems and installations used in such cable networks, distribution and receiving systems.

The extent of this standardization work is from the antennas and/or special signal source inputs to the headend or other interface points to the network up to the terminal input of the customer premises equipment.

The standardization work will consider coexistence with users of the RF spectrum in wired and wireless transmission systems.

The standardization of any user terminals (i.e. tuners, receivers, decoders, multimedia terminals, etc.) as well as of any coaxial, balanced and optical cables and accessories thereof is excluded.

IEC 60728-1 includes the following clauses:

Clause 5 defines the system performance limits which will, with an unimpaired input, (headend input signal), produce picture and sound signals (at system outlets) where the impairment to any single parameter will not be worse, in normal operating conditions for any analogue channel, than grade four on the five-grade impairment scale contained in ITU- R Recommendation BT.500-10. For digitally modulated signals, the quality requirement is a quasi-error-free (QEF) reception.

Appropriate performance requirements for the signals at the receiving antennas site are given in Clause 6 in order to provide at the input of the headend of the cable network both analogue and digital television signals with suitable quality.

Clause 7 is applicable to home networks (including those of individual receiving systems) using coaxial cables, balanced cables or optical cables and primarily intended for television signals, sound signals and interactive services, operating between about 30 MHz and 3 000 MHz.

This clause (Clause 7), considering the basic operational characteristics of a home network, specifies the requirements with respect to the home network interface (HNI) taking into account the performance requirements given at the system outlet or at the terminal input.

# CABLE NETWORKS FOR TELEVISION SIGNALS, SOUND SIGNALS AND INTERACTIVE SERVICES –

## Part 1: System performance of forward paths

### 1 Scope

This part of IEC 60728 is applicable to any cable network (including individual receiving systems) having in the forward path a coaxial cable output and primarily intended for television and sound signals operating between about 30 MHz and 3 000 MHz.

This part of IEC 60728 specifies the basic methods of measurement of the operational characteristics of cable network having coaxial cable outputs in order to assess the performance of these systems and their performance limits.

### 2 Normative references

The following documents, in whole or in part, are normatively referenced in this document and are indispensable for its application. For dated references, only the edition cited applies. For undated references, the latest edition of the referenced document (including any amendments) applies.

IEC 60050-705, *International Electrotechnical Vocabulary – Chapter 705: Radio wave propagation*

IEC 60050-712:1992, *International Electrotechnical Vocabulary – Chapter 712: Antennas*

IEC 60050-725, *International Electrotechnical Vocabulary (IEV) – Chapter 725: Space radiocommunications*

IEC 60728-1-1, *Cable networks for television signals, sound signals and interactive services – Part 1-1: RF cabling for two way home networks*

IEC 60728-1-2, *Cable networks for television signals sound signals and interactive services – Part 1-2: Performance requirements for signals delivered at the system outlet in operation*

IEC 60728-2, *Cable networks for television signals, sound signals and interactive services – Part 2: Electromagnetic compatibility for equipment*

IEC 60728-3:2010, *Cable networks for television signals, sound signals and interactive services – Part 3: Active wideband equipment for cable networks*

IEC 60728-5, *Cable networks for television signals, sound signals and interactive services – Part 5: Headend equipment*

IEC 60728-10, *Cable networks for television signals, sound signals and interactive services – Part 10: System performance of return paths*

IEC 60728-11, *Cable networks for television signals, sound signals and interactive services – Part 11: Safety*

IEC 60728-12, *Cabled distribution systems for television and sound signals – Part 12: Electromagnetic compatibility of systems*

IEC 60966-2-4, *Radio frequency and coaxial cable assemblies – Part 2-4: Detail specification for cable assemblies for radio and TV receivers – Frequency range 0 MHz to 3 000 MHz, IEC 61169-2 connectors*

IEC 60966-2-5, *Radio frequency and coaxial cable assemblies – Part 2-5: Detail specification for cable assemblies for radio and TV receivers – Frequency range 0 MHz to 1 000 MHz, IEC 61169-2 connectors*

IEC 60966-2-6, *Radio frequency and coaxial cable assemblies – Part 2-6: Detail specification for cable assemblies for radio and TV receivers – Frequency range 0 MHz to 3 000 MHz, IEC 61169-24 connectors*

ISO/IEC 13818-1:2007, *Information technology – Generic coding of moving pictures and associated audio information: Systems*

ISO/IEC 13818-4, *Information technology – Generic coding of moving pictures and associated audio information – Part 4: Conformance testing*

ISO/IEC 14496-1, *Information technology – Coding of audio-visual objects – Part 1: Systems*

ITU-R Recommendation BS.412-9, *Planning standards for terrestrial FM sound broadcasting at VHF*

ITU-R Recommendation BT.417-4, *Minimum field strengths for which protection may be sought in planning an analogue terrestrial television service*

ITU-R Recommendation BT.470-7, *Conventional analogue television systems*

ITU-R Recommendation BT.500-11, *Methodology for the subjective assessment of the quality of television pictures*

ITU-T Recommendation J.61, *Transmission performance of television circuits designed for use in international connections*

EN 50248, *Characteristics of DAB receivers*

ETSI EN 300 421, *Digital Video Broadcasting (DVB) – Framing structure, channel coding and modulation for 11/12 GHz satellite services*

ETSI EN 300 429, *Digital Video Broadcasting (DVB) – Framing structure, channel coding and modulation for cable systems*

ETSI EN 300 468, *Digital Video Broadcasting (DVB) – Specification for Service Information (SI) in DVB systems*

ETSI EN 300 473, *Digital Video Broadcasting (DVB) – Satellite Master Antenna Television (SMATV) distribution systems*

ETSI EN 300 744, *Digital Video Broadcasting (DVB) – Framing structure, channel coding and modulation for digital terrestrial television*

ETSI EN 302 307/V1.3.1:2012, *Digital Video Broadcasting (DVB) – Second generation framing structure, channel coding and modulation systems for Broadcasting, Interactive Services, News Gathering and other broadband satellite applications*

ETSI ETS 300 784, *Satellite Earth Stations and Systems (SES) – TeleVision Receive-Only (TVRO) satellite earth stations operating in the 11/12 GHz frequency bands*

ETSI TR 101 211, *Digital Video Broadcasting (DVB) – Guidelines on implementation and usage of Service Information (SI)*

ETSI TS 102 831/V1.2.1:2012, *Digital Video Broadcasting (DVB) – Implementation guidelines for a second generation digital terrestrial television broadcasting system (DVB-T2)*

### 3 Terms, definitions, symbols and abbreviations

#### 3.1 Terms and definitions

For the purposes of this document, the terms and definitions given in IEC 60050-705, IEC 60050-712 and IEC 60050-725, as well as the following apply.

NOTE The most important definitions are repeated below.

##### 3.1.1

###### **active antenna**

antenna incorporating active devices

[SOURCE: IEC 60050-712:1992, 712-03-29]

##### 3.1.2

###### **active home network**

home network that uses active equipment (for example, amplifiers) in addition to passive equipment like splitters, taps, system outlets, cables and connectors up to the coaxial RF interface (input and/or output) of the terminal equipment for distributing and combining RF signals

##### 3.1.3

###### **antenna**

part of a radio transmitting or receiving system which is designed to provide the required coupling between a transmitter or a receiver and the medium in which the radio wave propagates

Note 1 to entry: In practice, the terminals of the antenna or the points to be considered as the interface between the antenna and the transmitter or receiver should be specified.

Note 2 to entry: If the transmitter or receiver is connected to its antenna by a feeder line, the antenna may be considered to be a transducer between the guided radio waves of the feeder line and the radiated waves in space.

[SOURCE: IEC 60050-712:1992, 712-01-01, modified – The term feeder line instead of feed line has been used.]

##### 3.1.4

###### **antenna amplifier**

amplifier (often a low-noise type) associated with an antenna

##### 3.1.5

###### **attenuation**

ratio of the input power to the output power of an equipment or system

Note 1 to entry: The ratio is expressed in decibels.

**3.1.6****automatic gain control****AGC**

automatic control of a device to maintain constant the level of the signal at its output, using that signal as the control stimulus

**3.1.7****automatic level controlled amplifier**

amplifier which includes means to control automatically the level of the signal(s) at its output

Note 1 to entry: This may be achieved by controlling the variation of gain or slope or both, by means of

- one or more pilot carriers,
- a temperature sensing device,
- remote control.

**3.1.8****backoff**

nominal difference of the lower level to a higher reference level

**3.1.9****bit error ratio****BER**

ratio between erroneous bits and the total number of transmitted bits

**3.1.10****branch amplifier**

amplifier to compensate for the attenuation in a branch feeder

**3.1.11****branch feeder**

feeder used for connecting a distribution point to spur feeders

**3.1.12****bridger amplifier**

amplifier for connection in a trunk or branch feeder to energize a distribution point or one or more branch or spur feeders

**3.1.13****broadcast and communication technologies****BCT**

group of applications including RF distribution of sound signals and video signals

Note 1 to entry: For this standard, this is a group of applications using the HF band (3 MHz to 30 MHz), the VHF band (30 MHz to 300 MHz) and the UHF band (300 MHz to 3 000 MHz) for transmission of television signals, sound signals and interactive services, as well as for in-home inter-networking.

**3.1.14****building network****BN**

network for transmission of television signals, sound signals and interactive services inside a building (multi-dwellings)

**3.1.15****building network interface****BNI**

interface to the network for the transmission of television signals, sound signals and interactive services inside a building (multi-dwellings)

Note 1 to entry: This point is also called “transfer point” or “external network interface”.

**3.1.16****carrier-to-intermodulation ratio*****C/I***

difference between the carrier level at a specified point in a piece of equipment or a system and the level of a specified intermodulation product or combination of products

Note 1 to entry: The difference is given in decibels.

**3.1.17****carrier-to-noise ratio*****C/N***

difference between the vision or sound carrier level at a given point in a piece of equipment or a system and the noise level at that point (measured within a bandwidth appropriate to the television or radio system in use)

Note 1 to entry: The difference is given in decibels.

**3.1.18****CATV network**

regional and local broadband cable networks designed to provide sound and television signals as well as signals for interactive services to a regional or local area

Note 1 to entry: Originally defined as Community Antenna Television network.

**3.1.19****combiner**

device in which signals arriving at two or more input ports are fed to a single output port

Note 1 to entry: Some forms of this device may be used in reverse direction as splitters.

**3.1.20****composite intermodulation noise*****CIN***

sum of noise and intermodulation products due to digitally modulated signals

**3.1.21****composite intermodulation noise ratio*****CINR***

difference between the signal level and the composite intermodulation noise (*CIN*) level

Note 1 to entry: The difference is given in decibels.

**3.1.22****cross-modulation**

undesired modulation of the carrier of a desired signal by the modulation of another signal as a result of equipment or system non-linearities

**3.1.23****crossview**

effect on a wanted television signal of the undesired transfer of one or more television signal(s) from other circuit(s)

**3.1.24****decibel ratio**

ten times the logarithm to base 10 of the ratio of two quantities of power  $P_1$  and  $P_2$ , i.e.

$$10 \lg \frac{P_1}{P_2} \quad \text{in dB}$$

Note 1 to entry: This ratio may also be expressed in terms of voltages.

$$20 \lg \frac{U_1}{U_2} \text{ in dB}$$

**3.1.25****designed receiving antenna**

antenna that has the gain, the directivity and the polarization for receiving the wanted signal at the headend site with the required performance

**3.1.26****directional coupler**

passive signal splitting device, with minimum signal loss between the input port and the output port (through loss), a specified coupling loss between the input port and the tap port (tap loss), and very high loss between the output port and tap port (isolation)

**3.1.27****directivity**

attenuation between output port and interface or tap port minus the attenuation between input port and interface or tap port, of any equipment or system

**3.1.28****distribution amplifier**

amplifier designed to feed one or more branch or spur feeders

Note 1 to entry: This is a general term embracing branch amplifier and spur amplifier.

**3.1.29****distribution point**

point where signals are taken from the trunk feeder to energize branch and/or spur feeders

Note 1 to entry: In some cases, a distribution point may be directly connected to the headend.

**3.1.30****DOCSIS****EuroDOCSIS**

standards defining interface specifications for cable modems and cable modem termination systems for high-speed data communication over RF cable networks

**3.1.31****dwelling unit****DU**

home or office where television and sound signals are distributed and that provides access to interactive services

**3.1.32** **$E_b/N_0$** 

ratio between the energy per bit ( $E_b$ ) and the noise power density ( $N_0$ )

**3.1.33****echo rating** **$E$** 

result of a system test with a  $2T$  sine-squared pulse using the boundary line on a specified graticule within which all parts of the received pulse fall

EXAMPLE See Figure 25.

Note 1 to entry: Echo rating is determined in ITU-T Recommendation J.61 and ITU-T Recommendation J.63.

Note 2 to entry: The object of the graticule design is to ensure that the subjective effect of an echo of rating  $E$  % is the same as that of a single echo, with displacement greater than  $12T$ , of  $(E/2)$  % relative to the peak amplitude of the test pulse.

**3.1.34****equaliser**

device designed to compensate, over a certain frequency range, for the amplitude/frequency distortion or the phase/frequency distortion introduced by feeders or equipment

Note 1 to entry: This device is for the compensation of linear distortions only.

**3.1.35****extended satellite television distribution network or system**

distribution network or system designed to provide sound and television signals received by satellite receiving antenna to households in one or more buildings

Note 1 to entry: This kind of network or system can be combined with terrestrial antennas for the additional reception of TV and/or radio signals via terrestrial networks.

Note 2 to entry: This kind of network or system can also carry control signals for satellite switched systems or other signals for special transmission systems (e.g. MoCA or WiFi) in the return path direction.

**3.1.36****extended terrestrial television distribution network or system**

distribution network or system designed to provide sound and television signals received by terrestrial receiving antennas to households in one or more buildings

Note 1 to entry: This kind of network or system can be combined with a satellite antenna for the additional reception of TV and/or radio signals via satellite networks.

Note 2 to entry: This kind of network or system can also carry other signals for special transmission systems (e.g. MoCA or WiFi) in the return path direction.

**3.1.37****FECFRAME**

frame processed by the FEC coding subsystem

**3.1.38****feeder**

transmission path forming part of a cable network

Note 1 to entry: Such a path may consist of a metallic cable, optical fibre, waveguide, or any combination of them.

Note 2 to entry: By extension, the term is also applied to paths containing one or more radio links.

**3.1.39****frequency amplitude response**

gain or loss between two ports of an equipment or system plotted against frequency

**3.1.40****frequency converter**

device for changing the carrier frequency of one or more signals

**3.1.41****frequency designations**

frequency designations and abbreviations of IEC 60050-713 to be used in relation to cable networks

Note 1 to entry: For example, a VHF system includes frequencies between 30 MHz and 300 MHz.

**3.1.42****gain**

ratio of the output power to the input power of any equipment or system

Note 1 to entry: The gain is expressed in decibels.

**3.1.43****headend**

equipment which is connected between receiving antennas or other signal sources and the remainder of the cable networks, to process the signals to be distributed

Note 1 to entry: The headend may, for example, comprise antenna amplifiers, frequency converters, combiners, separators and generators.

**3.1.44****headend for individual reception**

headend supplying an individual household

Note 1 to entry: This type of installation may include one or more system outlets.

**3.1.45****headend input**

interface of a headend where the signals received by antennas or individual feeder lines are applied for signal processing

**3.1.46****home cable link****HCL**

physical link (cable) between the home distributor (HD) and the system outlet or the terminal input

**3.1.47****home distributor****HD**

distributor within a home where cables terminate

**3.1.48****home network****HN**

RF cable network inside a single dwelling (one-family house or one unit of a multi-dwelling building) in the SOHO (Small Offices Home Offices) environments or in the rooms of hotels, and hospitals

Note 1 to entry: The preferred topology of this network is a star.

Note 2 to entry: This network carries television signals, sound signals and interactive services up to the coaxial RF interface (input and/or output) of the terminal equipment. It may comprise active equipment, passive equipment, cables and connectors.

**3.1.49****home network interface****HNI**

interface for access to the network for transmission of television signal, sound signals and interactive services inside a home (single dwelling)

**3.1.50****hub headend**

headend used to feed the entire operating network in the service area

**3.1.51****individual satellite television receiving system**

system designed to provide sound and television signals received from satellite(s) to an individual household

Note 1 to entry: This kind of system can also carry control signals for satellite switched systems or other signals for special transmission systems (e.g. MoCA or WiFi) in the return path direction.

**3.1.52****individual terrestrial television receiving system**

system designed to provide sound and television signals received via terrestrial broadcast networks to an individual household

Note 1 to entry: This kind of system can also carry other signals for special transmission systems (e.g. MoCA or WiFi) in the return path direction.

**3.1.53****intermodulation**

process whereby non-linearity of equipment in a system produces output signals (called intermodulation products) at frequencies which are linear combinations of those of the input signals

**3.1.54****isolation**

attenuation between two output, tap or interface ports of any equipment or system

**3.1.55****3.1.55.1****level**

ratio of any power  $P_1$  to the standard reference power  $P_0$ , i.e.

$$10 \lg \frac{P_1}{P_0} \quad \text{in dB}$$

Note 1 to entry: The ratio is given in decibel (dB).

Note 2 to entry: This may be expressed in decibels (relative to 1  $\mu\text{V}$  in 75  $\Omega$ ) or more simply in dB( $\mu\text{V}$ ) if there is no risk of ambiguity.

**3.1.55.2****level**

ratio of any voltage  $U_1$  to the standard reference voltage  $U_0$ , i.e.

$$20 \lg \frac{U_1}{U_0} \quad \text{in dB}$$

Note 1 to entry: The ratio is given in decibel (dB).

Note 2 to entry: This may be expressed in decibels (relative to 1  $\mu\text{V}$  in 75  $\Omega$ ) or more simply in dB( $\mu\text{V}$ ) if there is no risk of ambiguity.

**3.1.56****local broadband cable network**

network designed to provide sound and television signals as well as signals for interactive services to a local area (e.g. one town or one village)

**3.1.57****local headend**

headend which is connected directly to the system trunk feeders or to a short-haul trunk feeder replacement link

**3.1.58****looped system outlet**

device through which the spur feeder passes and to which is connected a receiver lead, without the use of a subscriber feeder

Note 1 to entry: For special conditions in Norway, see Clause K.1.

**3.1.59****MATV headend**

headend used in blocks of flats and in built-up sites to feed TV channels and FM radio channels into the house network or the spur network

**3.1.60****MATV network**

extended terrestrial television distribution networks or systems designed to provide sound and television signals received by terrestrial receiving antennas to households in one or more buildings

Note 1 to entry: Originally defined as Master Antenna Television network.

Note 2 to entry: This kind of network or system can be combined with a satellite antenna for the additional reception of TV and/or radio signals via satellite networks.

Note 3 to entry: This kind of network or system can also carry other signals for special transmission systems (e.g. MoCA or WiFi) in the return path direction.

**3.1.61****modulation error ratio****MER**

sum of the squares of the magnitudes of the ideal symbol vectors divided by the sum of the squares of the magnitudes of the symbol error vectors of a sequence of symbols

Note 1 to entry: The result being expressed as a power ratio in decibel, as follows.

$$MER = 10 \lg \left\{ \frac{\sum_{j=1}^N (I_j^2 + Q_j^2)}{\sum_{j=1}^N (\delta I_j^2 + \delta Q_j^2)} \right\} \text{ in dB}$$

**3.1.62****MPEG-2**

refers to the ISO/IEC 13818 series of standards

Note 1 to entry: For system coding, see ISO/IEC 13818-1; for video coding, see ISO/IEC 13818-2; for audio coding, see ISO/IEC 13818-3.

**3.1.63****MPEG-4**

refers to the ISO/IEC 14496 series of standards

Note 1 to entry: For system coding, see ISO/IEC 14496-1; for video coding, see ISO/IEC 14496-2; for audio coding, see ISO/IEC 14496-3.

**3.1.64****multi dwelling unit****MDU**

building with many homes or offices used by single owners where television signals, sound signals are distributed and with access to interactive services

**3.1.65****multiplex**

signals from several separate sources assembled into a single composite signal for transmission over a common transmission channel

[SOURCE: IEC 60050-701:1988, 701-03-09, modified – Term and definition have been changed to describe the result of the multiplexing process.]

**3.1.66****mutual isolation**

attenuation between two specified system outlets at any frequency within the range of the system under investigation which is always specified, for any particular installation, as the minimum value obtained within specified frequency limits

**3.1.67****network interface****NI**

interface to the network for transmission of television signals, sound signals and interactive services

**3.1.68****network termination unit****NTU**

equipment for access to the cable network for television signal, sound signals and interactive services

**3.1.69****outdoor unit**

part of the TVRO installed in a position within line of sight to the satellite(s) to be received

Note 1 to entry:

An outdoor unit normally comprises two main parts:

- a) the antenna sub-system which converts the incident radiation field into a guided wave; The antenna sub-system consists of
- the main reflector, the secondary reflectors (if any) and the radiator,
  - the feeder network, which may include optional polarizing devices, to receive orthogonal linear polarizations, in a simultaneous or exclusive way.

Instead of reflector(s)/feeder network subsystem, other types of antennas may be used, for example, flat array antennas;

- b) the LNB(s), which may include an optional filter, is/are a device(s) with very low internal noise that amplifies the received signals in the RF band and converts them to intermediate frequencies, (often called the 1<sup>st</sup> IF), for transmission to one or more indoor units where tuning, demodulation and decoding of the received signals are performed.

**3.1.70****out-of-band emissions**

emissions on a frequency or on frequencies outside the necessary bandwidth resulting from the modulation process, but excluding spurious emissions

**3.1.71****permanent link**

transmission path between any two test interfaces within a cabling subsystem link including the connecting hardware at each end

**3.1.72****phase noise**

phase instability of random nature

Note 1 to entry: The sources of random sideband noise in an oscillator are thermal noise, flicker noise and shot noise.

Note 2 to entry: Each time the signal is frequency processed this signal is degraded by an addition of phase noise due to phase noise of the local oscillator. Frequency converters or modulators generate phase noise.

**3.1.73****programme-specific information****PSI**

coding specification describing the content of the transport stream packets for the purpose of demultiplexing and the presentation of programmes, as defined in ISO/IEC 13818-1:2007

**3.1.74****receiver lead**

lead which connects the system outlet to the subscriber's equipment

Note 1 to entry: A receiver lead may include filters and balun transformers in addition to the cable.

**3.1.75****regional broadband cable network**

network designed to provide sound and television signals as well as signals for interactive services to a regional area covering several towns and/or villages

**3.1.76****remote headend**

headend from which signals are delivered to a local headend via a long-distance terrestrial link

**3.1.77****satellite master antenna television system****SMATV**

system which is designed to provide sound and television signals to the outlets of a building or a group of buildings

Note 1 to entry: Two system configurations are defined in ETSI EN 300 473 as follows:

- SMATV system A, based on transparent transmodulation of QPSK satellite signals into QAM signals to be distributed to the user;
- SMATV system B, based on direct distribution of QPSK signals to the user, with two options:
  - SMATV-IF distribution in the satellite IF band (above 950 MHz);
  - SMATV-S distribution in the VHF/UHF band, for example in the extended S band (230 MHz to 470 MHz).

**3.1.78****separator**

device in which the signal energy, covering a frequency band, at one input port is divided between two or more output ports each of which covers a part of that frequency band

Note 1 to entry: For example, a diplexer is a two-output separator.

Note 2 to entry: Some forms of this device may be used in the reverse direction for combining.

**3.1.79****service information****SI**

digital data describing the delivery system, content and scheduling/timing of broadcast data streams, etc.

Note 1 to entry: It includes MPEG-2 programme-specific information (PSI) together with independently defined extensions.

**3.1.80** **$S_{D,RF}/N$** 

signal-to-noise ratio for a digitally modulated signal in the RF band

**3.1.81****single dwelling unit****SDU**

home or office used by a single owner where television signals and sound signals are distributed and with access to interactive services

**3.1.82****signal adaptor**

device which modifies the input signal to achieve conformity with the appropriate ITU system, without changing the baseband characteristics, for use in a cable network which distributes television signals not conforming to any ITU system (only in respect of the RF structure)

**3.1.83****signal tilt**

difference in level deliberately established between specified signals at any point in a system

Note 1 to entry: If groups of signals are established at differing levels, this is referred to as block tilt.

**3.1.84****shoulder attenuation**

ratio between signal and spectrum re-growth outside the channel

**3.1.85****slope**

difference in gain or attenuation at two specified frequencies between any two points in a system

**3.1.86****SMATV headend**

headend in block of flats or in built-up sites to feed TV channels received by satellite into the house network or the spur network

Note 1 to entry: In some cases, a distribution point may be connected directly to the headend.

**3.1.87****SMATV network**

extended distribution networks or systems designed to provide sound and television signals received by satellite receiving antenna to households in one or more buildings

Note 1 to entry: Originally defined as satellite master antenna television network.

Note 2 to entry: This kind of network or system can be combined with terrestrial antennas for the additional reception of TV and/or radio signals via terrestrial networks.

Note 3 to entry: This kind of network or system can also carry control signals for satellite switched systems or other signals for special transmission systems (e.g. MoCA or WiFi) in the return path direction.

**3.1.88****splitter****spur unit**

device in which the signal power at the (input) port is divided equally or unequally between two or more (output) ports

Note 1 to entry: Some forms of this device may be used in the reverse direction for combining signal energy.

**3.1.89****spur amplifier****line extender**

amplifier to compensate for the attenuation in a spur feeder

**3.1.90****spur feeder**

feeder to which splitters, subscriber taps, or looped system outlets are connected

**3.1.91****spurious emissions**

emissions on a frequency or frequencies which are outside the necessary bandwidth and whose level may be reduced without affecting the corresponding transmission of information

Note 1 to entry: Spurious emissions include harmonic emissions, parasitic emissions, intermodulation products and frequency conversion products, but exclude out of band emissions.

**3.1.92****standard reference power** **$P_0$** 

<in cable networks> 1/75 pW

Note 1 to entry: This is the power dissipated in a 75  $\Omega$  resistor with a voltage drop of 1  $\mu\text{V}_{\text{RMS}}$  across it.

**3.1.93****subscriber feeder**

feeder connecting a subscriber tap to a system outlet or, where the latter is not used, directly to the subscriber equipment

Note 1 to entry: A subscriber feeder may include filters and balun transformers.

**3.1.94****subscriber equipment**

equipment at the subscriber premises such as receivers, tuners, decoders, video recorders

**3.1.95****subscriber tap**

device for connecting a subscriber feeder to a spur feeder

**3.1.96****subscriber terminal****ST**

equipment able to receive the distributed signals or to send (via a cable modem) return signals for interactive services

EXAMPLE Television receiver, radio receiver, set-top box, etc.

**3.1.97****supertrunk feeder**

connects only between headends or between a headend and the first distribution point

**3.1.98****symbol rate stability**

short-term variation of symbol rate due to signal processing

EXAMPLE Zero packet stuffing in headend equipment.

**3.1.99****system outlet****SO**

device for interconnecting a subscriber feeder and a receiver lead

**3.1.100****transport stream****TS**

data structure defined in ISO/IEC 13818-1:2007

Note 1 to entry: It is the basis of the digital video broadcasting (DVB) related standards.

**3.1.101****trunk feeder**

feeder used for the transmission of signals between a headend and a distribution point or between distribution points

**3.1.102****trunk amplifier**

amplifier to compensate for the attenuation in a trunk feeder

**3.1.103****trunk-bridger amplifier**

amplifier to compensate for the attenuation in a trunk feeder and also to energize a distribution point

**3.1.104****unwanted emissions**

include spurious emissions and out-of-band emissions

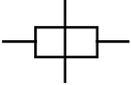
**3.1.105****well-matched**

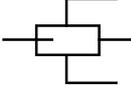
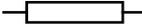
matching condition when the return loss of the equipment complies with the requirements of Table 1 of IEC 60728-3:2010

**3.2 Symbols**

The following graphical symbols are used in the figures of this standard. These symbols are either listed in IEC 60617 or based on symbols defined in IEC 60617.

Symbols	Terms	Symbols	Terms
	attenuator [IEC 60617-S01244 (2001:07)]		variable attenuator [IEC 60617-S01245 (2001:07)]
	sine-wave generator [IEC 60617-S01226 (2001:07)]		low pass filter [IEC 60617-S01248 (2001:07)]
	band pass filter [IEC 60617-S01249 (2001:07)]		Variable band-pass filter [IEC 60617-S01249 (2001:07)] [IEC 60617-S00081 (2001:07)]
	amplifier [IEC 60617-S01239 (2001:07)]		detector
	oscilloscope [IEC 60617-S00059 (2001:07)] [IEC 60617-S00922 (2001:07)]		spectrum analyser [IEC 60617-S00059 (2001:07)] [IEC 60617-S00910 (2001:07)]
	directional coupler [IEC 60617-S01340 (2001:07)]		mixer
	modulator [IEC 60617-S01278 (2001:07)]		demodulator [IEC 60617-S01278 (2001:07)]
	Home Network Interface (HNI)		System Outlet (SO) [IEC 60617-S00438 (2001:07)]

Symbols	Terms
	subscriber tap
	Receiver lead
	RF-choke [IEC 60617-S00583 (2001:07)]

Symbols	Terms
	splitter
	resistor [IEC 60617-S00555 (2007:01)]

### 3.3 Abbreviations

<b>AC</b>	alternating current	<b>AFC</b>	automatic frequency control
<b>AGC</b>	automatic gain control	<b>AI</b>	amplitude imbalance
<b>ALC</b>	automatic level control	<b>AM</b>	amplitude modulation
<b>ANT<sub>C</sub></b>	antenna coefficient	<b>APSK</b>	amplitude and phase shift keying
<b>ASCII</b>	American standard code for information interchange	<b>ATM</b>	asynchronous transfer mode
<b>AWGN</b>	additive white Gaussian noise	<b>BAT</b>	bouquet association table
<b>BCH</b>	Bose-Chaudhuri-Hocquenghem multiple error correction binary block code	<b>BCT</b>	broadcast and communication technologies
<b>BCT B</b>	BCT supported by balanced cabling	<b>BCT C</b>	BCT supported by coaxial cabling
<b>BEP</b>	bit error probability	<b>BER</b>	bit error ratio
<b>BICM</b>	bit interleaved and code modulation	<b>BPSK</b>	binary phase shift keying
<b>bslbf</b>	bit string, left bit first	<b>BW</b>	bandwidth
<b>C/N</b>	carrier-to-noise ratio (ratio of RF or IF power to noise power)	<b>CA</b>	conditional access
<b>CATV</b>	community antenna television	<b>CENELEC</b>	Comité Européen de Normalisation Electrotechnique
<b>CEPT</b>	Conférence Européenne des Administrations des Postes et des Télécommunications	<b>COFDM</b>	coded orthogonal frequency division multiplex
<b>CPE</b>	common phase error	<b>CRC</b>	cyclic redundancy check
<b>CS</b>	carrier suppression	<b>CSO</b>	composite second order
<b>CTB</b>	composite triple beat	<b>CW</b>	continuous wave
<b>D/A</b>	digital-to-analogue converter	<b>DAB</b>	digital audio broadcasting
<b>DC</b>	direct current	<b>DFT</b>	discrete Fourier transformation
<b>DOCSIS</b>	Data Over Cable Service Interface Specification	<b>DTH</b>	direct to home
<b>DVB</b>	digital video broadcasting	<b>DVB-C</b>	digital video broadcasting baseline system for digital cable television (ETSI EN 300 429)
<b>DVB-CS</b>	digital video broadcasting baseline system for SMATV distribution systems (ETSI EN 300 473)	<b>DVB-MC</b>	digital video broadcasting baseline system for multi-point video distribution systems below 10 GHz (ETSI EN 300 749)
<b>DVB-MS</b>	digital video broadcasting baseline system for multi-point video distribution systems at 10 GHz and above (ETSI EN 300 748)	<b>DVB-S</b>	digital video broadcasting baseline system for digital satellite television (ETSI EN 300 421)
<b>DVB-S2</b>	digital video broadcasting baseline system for digital satellite television second generation (ETSI EN 302 307/ V1.3.1:2012)	<b>DVB-T</b>	digital video broadcasting baseline system for digital terrestrial television (ETSI EN 300 744)

<b>DVB-T2</b>	digital video broadcasting baseline system for digital terrestrial television second generation (ETSI EN 302 755)	<b>EB</b>	error block
<b>EIT</b>	event information table	<b>EMM</b>	entitlement management message
<b>EN</b>	European norm	<b>ENB</b>	equivalent noise bandwidth
<b>END</b>	equivalent noise degradation	<b>ETR</b>	ETSI technical report
<b>ETS</b>	European telecommunications standard	<b>ETSI</b>	European Telecommunications Standards Institute
<b>Euro DOCSIS</b>	European Data Over Cable Service Interface Specification	<b>FDM</b>	frequency division multiplex
<b>FEC</b>	forward error correction	<b>FFT</b>	fast Fourier transform
<b>FIFO</b>	first-in, first-out shift register	<b>FM</b>	frequency modulation
<b>FSL</b>	field strength level	<b>HBES</b>	home and building electronic systems
<b>HCL</b>	home cable link	<b>HD</b>	home distributor
<b>HDTV</b>	high-definition television	<b>HES</b>	home electronic systems
<b>HEX</b>	hexadecimal notation	<b>HN</b>	home network
<b>HNI</b>	home network interface	<b>HP</b>	high priority bit stream
<b>ICI</b>	inter-carrier interference	<b>IF</b>	intermediate frequency
<b>IFFT</b>	inverse fast Fourier transform	<b>IRE</b>	Institute of Radio Engineers
<b>ITS</b>	insertion test signal	<b>ITU</b>	International Telecommunication Union
<b>LDPC</b>	low-density parity check (codes)	<b>LDTV</b>	low-definition television
<b>LNB</b>	low noise block converter (frequency converter in the focal point of a parabolic antenna)	<b>LO</b>	local oscillator
<b>LP</b>	low-priority bit stream	<b>LSB</b>	least significant bit
<b>MATV</b>	master antenna television	<b>MDU</b>	multi-dwelling unit
<b>MER</b>	modulation error ratio	<b>MMDS</b>	microwave multipoint distribution systems
<b>MoCA</b>	multimedia over cable alliance	<b>MPEG</b>	moving picture experts group
<b>MSB</b>	most significant bit	<b>MSPS</b>	mega symbols per second
<b>MUX</b>	multiplex	<b>MVDS</b>	microwave video distribution systems
<b>NICAM</b>	near-instantaneously companded audio multiplex	<b>NM</b>	noise margin
<b>NTSC</b>	national television system committee	<b>OCT</b>	octal notation
<b>OFDM</b>	orthogonal frequency division multiplex	<b>PAL</b>	phase alternation line
<b>PAPR</b>	peak-to-average power ratio	<b>PCR</b>	programme clock reference
<b>PER</b>	packet error ratio	<b>PID</b>	packet identifier
<b>PLP</b>	physical layer pipe	<b>PRBS</b>	pseudo-random binary sequence
<b>PSK</b>	phase shift keying	<b>QAM</b>	quadrature amplitude modulation

<b>QEF</b>	quasi-error-free	<b>QPSK</b>	quaternary phase shift keying
<b>RF</b>	radio frequency	<b>RMS</b>	root mean square
<b>RS</b>	Reed-Solomon	<b>RSBW</b>	resolution bandwidth
<b>SDTV</b>	standard definition television	<b>SDU</b>	single dwelling unit
<b>SECAM</b>	séquentiel couleur à mémoire	<b>SFN</b>	single frequency network
<b>SMATV</b>	satellite master antenna television	<b>SO</b>	system outlet
<b>SOHO</b>	small office, home office	<b>SSLA</b>	sectional slope of active coaxial home network
<b>SSLP</b>	sectional slope of passive coaxial home network	<b>T-STD</b>	Standard television
<b>TC8PSK</b>	trellis coded 8-phase shift keying	<b>TI</b>	terminal input
<b>TPS</b>	transmission parameter signalling	<b>TS</b>	transport stream
<b>TV</b>	television	<b>TVRO</b>	television receive only
<b>UHF</b>	ultra-high frequency	<b>uimsbf</b>	unsigned integer, most significant bit first
<b>UTC</b>	universal time coordinated	<b>VHF</b>	very high frequency
<b>VSB</b>	vestigial side band	<b>WiFi</b>	Wireless Fidelity

## 4 Methods of measurement at system outlet

### 4.1 Performance limits

All requirements refer to the performance limits, which shall be obtained between the input(s) to the headend or headends and any system outlet when terminated in a resistance equal to the nominal load impedance of the system, unless otherwise specified. Where system outlets are not used, the above applies at the subscriber's end of the subscriber's feeder. Also, requirements which are obtained between the input(s) to the headend or headends and any home network interface (HNI) are given.

The methods of measurement described in this standard are considered basic. However, any equivalent method that ensures at least the same accuracy may be used. Also note that, if the system operator wishes to subdivide the system into a number of parts or wishes to use different transmission media (for example, coaxial cabling, balanced cabling, optical cabling), the accumulation of degradations should not exceed the figures given in this standard.

System performance requirements of return paths as well as specific methods of measurement for the use of the return paths in cable networks are described in IEC 60728-10.

The methods of measurement listed below are applicable to analogue and/or digitally modulated carriers as indicated in Table 1.

Table 1 – Application of the methods of measurement

Methods of measurement	Modulation of carriers									
	Analogue					Digital				
	Television				Radio FM TV sound carrier	Television			Radio	
	Vision carrier AM-VSB			Vision and sound carriers FM		Vision and sound DVB				Sound NICAM
	NTSC	PAL	SECAM		FM/AM	PSK, APSK	QAM	OFDM	DAB	
4.2 Mutual isolation between system outlets	X	X	X	X	X	X	X	X	X	X
4.3 Amplitude response within a channel	X	X	X	X	X	X	X	X	X	X
4.4 Chrominance-luminance gain and delay inequalities		X	X							
4.5 Non-linear distortion	X	X	X	X	X		X			
4.6 Carrier-to-noise ratio	X	X	X	X	X					
4.7 Echoes	X	X	X							
4.8 AM-VSB television, FM radio and FM television signal level	X	X	X	X	X					
4.9 Data echo rating and data delay inequality	X	X	X							
4.10 Interference in FM sound radio channels					X					
4.11 Methods of measurement for digitally modulated signals						X	X	X		
4.11.3 Signal level for digitally modulated signals						X	X	X		X
4.11.4 RF signal-to-noise ratio $S_{D,RF}/N$ for digitally modulated signals						X	X	X		X
4.11.5 Bit error ratio (BER)						X	X	X		X
4.11.6 BER versus $E_b/N_0$ or $C/N$						X	X	X		X
4.11.7 Noise margin						X	X	X		X
4.11.8 Modulation error ratio (MER)						X	X			
4.11.9 Phase jitter						X	X			
4.11.10 Phase noise of an RF carrier						X	X	X		X

## 4.2 Mutual isolation between system outlets

### 4.2.1 Overview

Although the method described applies also to the far ends of subscriber feeders when no system outlets are used, isolation will usually be measured between

- a) system outlets connected to adjacent subscriber taps,
- b) system outlets connected to the same multiple subscriber tap,
- c) adjacent looped system outlets.

### 4.2.2 Equipment required

The test set-up shall be well-matched and shall consist of

- a) a sweep frequency generator, with frequency range or ranges to suit the system to be examined, equipped with a frequency marking system,
- b) a terminating wideband detector,

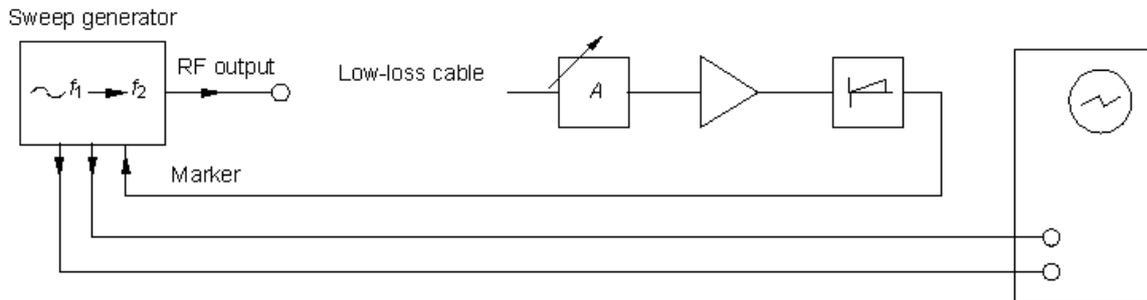
NOTE 1 "Wideband" is understood to mean of sufficient bandwidth to cover the full frequency range of the system under investigation.

NOTE 2 Some sweep frequency generators may include a terminating wideband detector.

- c) a variable attenuator, adjustable in steps of not more than 1 dB up to a value greater than the maximum mutual isolation to be measured,
- d) a wideband amplifier with sufficient gain to raise the signal level at the system outlet to a level suitable to drive the detector,
- e) an oscilloscope or other display unit suitable for operation with the sweep frequency generator,
- f) a suitable coaxial cable of sufficient length to reach from one system outlet to an adjacent one in the cable network.

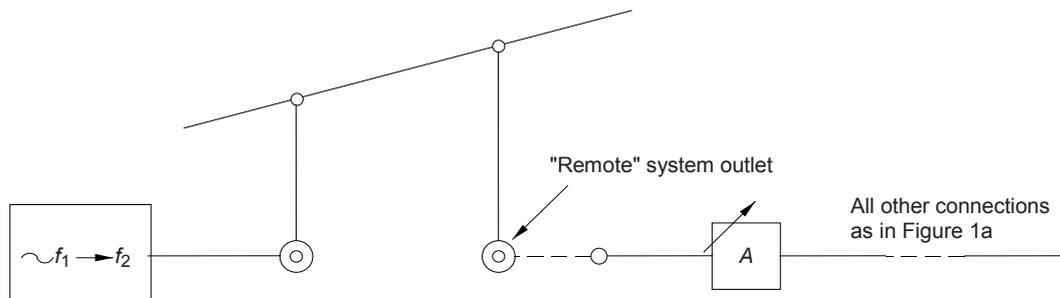
### 4.2.3 Connection of the equipment

The pieces of equipment shall be connected as in Figure 1.



IEC 1719/14

Figure 1a



IEC 1720/14

Figure 1b

**Figure 1 – Arrangement of test equipment for measurement of mutual isolation between system outlets**

### 4.2.4 Measurement procedure

The measurement procedure consists of the following steps.

- With the equipment connected as shown in Figure 1a, set the variable attenuator to a value just greater than the maximum value of mutual isolation expected to be measured. Note this value  $a_1$ .
- Adjust the output level of the sweep generator to give a level at the input to the amplifier approximately equal to that available at a system outlet.
- Adjust the oscilloscope and amplifier gain controls to produce a display and note the amplitude  $a_1$  of the display over the frequency range under inspection.
- Remove from the section under test, the signals normally distributed on the system whilst maintaining the correct terminating conditions; connect the equipment as shown in Figure 1b. Note that the output from the sweep generator is connected to the "local" system outlet and the long cable (according to 4.2.2 f)) is used to connect to the "remote" outlet.
- Reduce the attenuator setting until the peak of the display just reaches the same amplitude as that noted in item c) of this subclause for the frequency at which the peak occurs.
- Note the new value of the attenuator  $a_2$ .
- Mutual isolation is given by  $a_1 - a_2$ .

- h) If the system outlets are of dual socket design, for example, TV and radio, the mutual isolation should also be measured at the appropriate frequencies between one socket, for example TV, of the "local" system outlet and the alternate socket, for example, radio, of the "remote" system outlet, and vice versa. In these cases, it will be necessary also to measure mutual isolation with the unused sockets in both terminated and open-circuit conditions. The conditions of measurement should be stated when tabulating results. When unused sockets are terminated, the terminating resistance shall be 75  $\Omega$ .
- i) Where the measurements are made in a number of discrete frequency bands, the lowest result obtained shall be taken as the mutual isolation between the two system outlets under investigation.

#### 4.2.5 Presentation of the results

The results shall be presented in a table listing the values obtained for each couple of measured system outlets.

### 4.3 Amplitude response within a channel

#### 4.3.1 Overview

The method described is applicable to the measurement of the amplitude response of cable networks over the frequency range of an individual channel between two specified points within the system.

However, where input signals to the system are received at, or are reduced to, baseband, and modulated onto the system carrier frequencies, the response of any demodulator and modulator shall not be included. If it is required to include the characteristics of these items, a separate assessment shall be made using test techniques applicable to such equipment.

Where the system contains frequency changing equipment between the antenna input and the system outlet at which the tests are to be made, the calibration of the equipment (as detailed in 4.2.4a) to 4.2.4g)) shall be carried out at the output frequencies, having first checked that the output of the sweep frequency generator is also flat over the input channel.

#### 4.3.2 Equipment required

The test set-up shall be well-matched and shall consist of

- a) a sweep frequency generator,
- b) a terminating RF detector,
- c) two variable attenuators,
- d) an amplifier,
- e) a dual-trace oscilloscope,
- f) a high output (at least 300 mV<sub>RMS</sub> terminated) signal generator of known frequency calibration over the frequency range of the channel to be tested,
- g) a balanced mixer,
- h) a low-pass filter with cut-off at approximately 200 kHz for television channels or approximately 10 kHz for FM sound radio,
- i) a directional coupler suitable for use in the frequency range of the channel to be tested,
- j) a termination to match the output of the filter specified in item h) of this subclause.

#### 4.3.3 Connection of the equipment

The equipment shall be connected as in Figure 2a. If the tests shall be carried out in the presence of other signals on the system, a filter may be necessary at the input of the amplifier to prevent distortion of the display. This filter shall have a flat response and shall match the system correctly over the channel to be tested. It shall have sufficient attenuation at the

frequencies of the other signals to reduce them to about 20 dB below the level of the swept test signal.

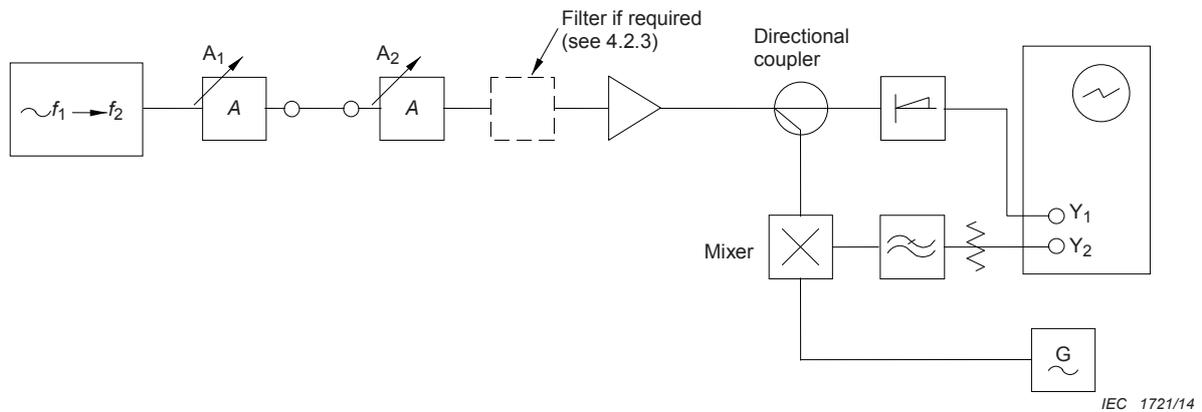


Figure 2a

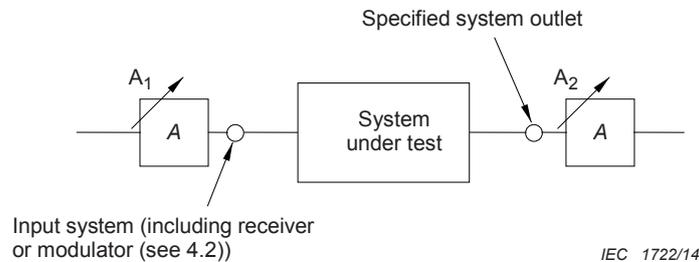


Figure 2b

**Figure 2 – Arrangement of test equipment for measurement of frequency response within a channel**

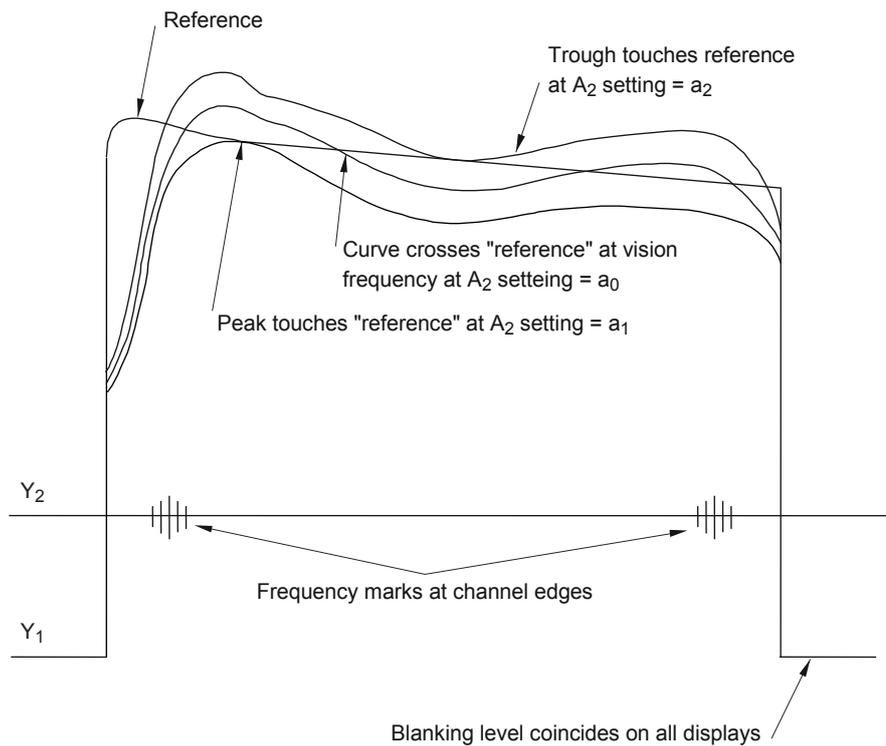
#### 4.3.4 Measurement procedure

The measurement procedure consists of the following steps.

- With the equipment connected as shown in Figure 2a, adjust the output frequencies of the sweep generator to cover the channel to be tested and set the variable attenuator  $A_1$ , so that the level of the signal at its output is that which will be required when connected to the system input.
- Set the variable attenuator  $A_2$ , so that the level of the signal at the input to the amplifier is about 3 dB to 4 dB below that expected at the system outlet at which the test will be carried out.
- Adjust the oscilloscope controls to obtain a satisfactory display on the  $Y_1$  channel, which shall be DC coupled, locking the timebase to the leading edge of the display.

NOTE 1 It may be necessary to operate the oscilloscope at a repetition rate equal to half that of the sweep generator and examine the "second" displayed response.

- Adjust the frequency of the signal generator to that of the lower limit of the channel under investigation and arrange the level of this signal and the gain and shift controls of the  $Y_2$  channel of the oscilloscope to produce a satisfactory "marker".
- Move the "marker" to the upper frequency limit of the channel and carefully note the amplitude of the display between the two marks (see "reference" in Figure 3) and the level of the display during the blanking period.



**Figure 3 – Interpretation of displays for measurement of frequency response within a channel**

- f) Adjust the attenuator  $A_2$  to values 3 dB on either side of that set as specified in item b) of this subclause and check that the shape of the reference curve does not alter materially.
- g) Connect the equipment to the cable network as shown in Figure 2b removing the normal signal input to the channel under test, but retaining any pilot signals which may be necessary to maintain correct operation of the system.

NOTE 2 Signal-operated AGC systems may not function correctly on swept input signals and may have to be rendered inoperative and manual gain control used during these tests.

- h) Adjust the attenuator  $A_2$  to produce the same general amplitude of display as obtained in item c) of this subclause, using the "reference" curve and carefully aligning the blanking level with that obtained in item e) of this subclause.
- i) Mark the frequency limits of the channel as described in item d) and item e) of this subclause.
- j) Using the attenuator  $A_2$ , set up the display so that within the frequency limits marked in item i) of this subclause:
- 1) the curve crosses the "reference" at the vision carrier frequency, interpolating if necessary; note the value  $a_0$ , with correction for interpolation;
  - 2) the "peak" of the response touches the "reference", interpolating if necessary; note the value  $a_1$ , with correction for interpolation.

The "trough" of the response touches the "reference", interpolating if necessary.

Note the value  $a_2$ , with correction for interpolation.

- k) The variation of amplitude/frequency response within the channel is given by  $(a_1 - a_0)$  and  $(a_2 - a_0)$ .

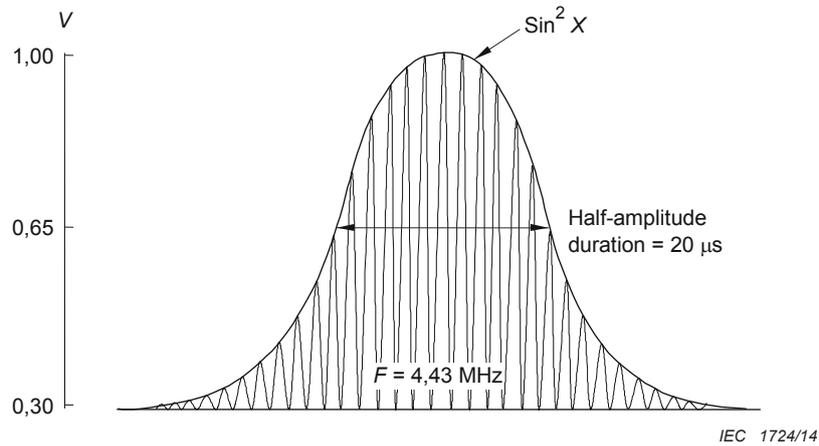
#### 4.3.5 Presentation of the results

The results are presented in a table or by a curve showing the amplitude response within the measured channel.

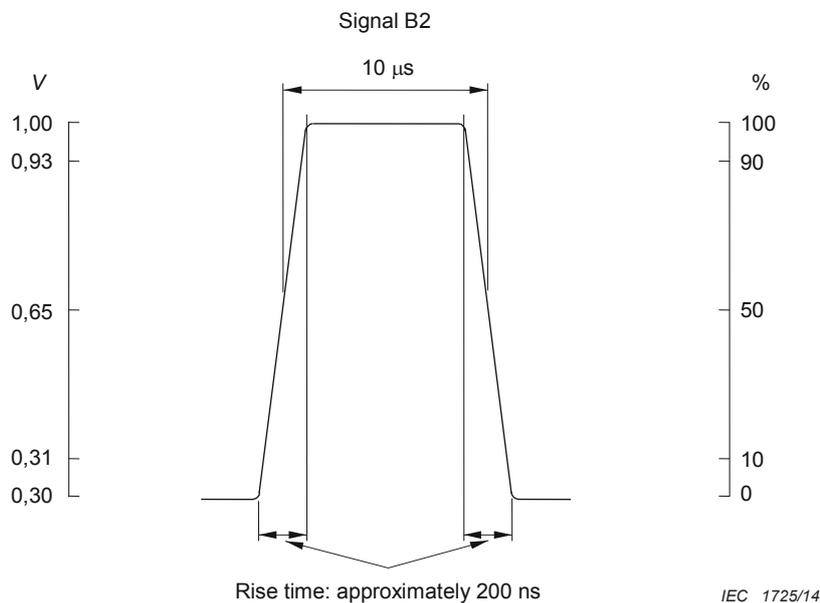
## 4.4 Chrominance-luminance gain and delay inequalities

### 4.4.1 Overview

The methods described are only relevant for PAL and SECAM standards and applicable to the measurement of chrominance/luminance gain and delay inequalities for complete systems and constituent items of equipment. The test signals employed are in both cases those recommended in ITU-T Recommendation J.61, and are shown in Figure 4 and Figure 5.



**Figure 4 – Test signal (signal *F* for 625-line systems) employed for chrominance/luminance gain and delay inequality**



NOTE In France, the nominal rise time B2 is approximately 110 ns.

**Figure 5 – Test signal (signal *B2* for 625-line systems) employed for chrominance/luminance gain and delay inequality**

It is intended that these measurements are carried out with test signals inserted at the system headend. They may be either of the full-frame type or, where convenient, may be inserted in the field blanking periods. The use of inserted test signals available on the broadcast television channel is not generally recommended as these are subject to variations beyond the control of the user. However, where such signals, of known stability and of adequate quality, are available, they may be used to carry out these measurements.

#### 4.4.2 Equipment required

The test set-up shall be well-matched and shall consist of

- a) an oscilloscope which will not contribute significant distortion to the signal displayed,
- b) a modulator (unless transmitted test signals in the field blanking interval are to be used) having the following characteristics:
  - 1) radio-frequency characteristics (excluding sound) corresponding to ITU-R Recommendation BT.470, and appropriate to the television transmission system used;
  - 2) video signal input requirement of 1 V peak-to-peak composite;
  - 3) a modulated output signal of a convenient amplitude,
- c) a synchronous demodulator having characteristics appropriate to the television transmission system used,
- d) two attenuators variable in steps of not more than 1 dB,
- e) a test signal generator (unless transmitted test signals are used) providing signals having characteristics appropriate to the television transmission system under consideration, as specified in ITU-T Recommendation J.61 and containing composite pulse and bar signal elements B2 and F,

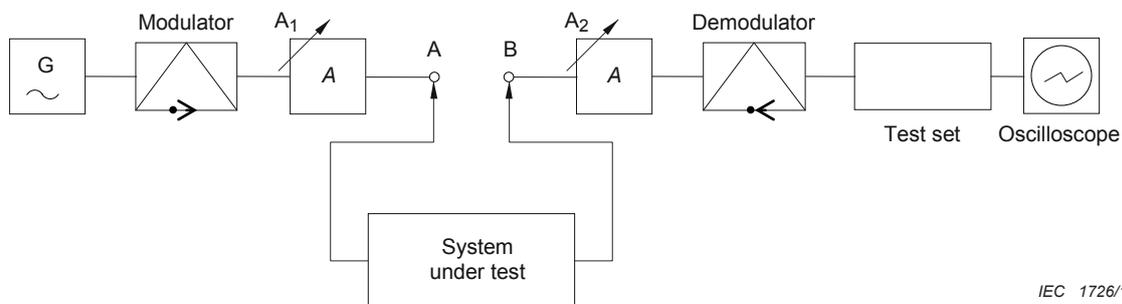
NOTE 1 Most commercially available test signal generators will provide this signal as part of a composite test line.

NOTE 2 For measurement on system I, a composite pulse of half-amplitude duration = 1  $\mu$ s would be an acceptable alternative to that shown as element F.

- f) a test set capable of providing calibrated variable delay and attenuation in either the chrominance or luminance areas of the video spectrum.

#### 4.4.3 Connection of the equipment

The equipment shall be connected as in Figure 6.



IEC 1726/14

**Figure 6 – Arrangement of test equipment for measurement of chrominance/luminance gain and delay inequality**

#### 4.4.4 Measurement procedure

The measurement procedure consists of the following steps.

- a) With point A directly connected to point B (see Figure 6), adjust attenuator A<sub>1</sub> for an output level sufficient to drive the system to be tested and attenuator A<sub>2</sub> to obtain the correct input level to the demodulator.
- b) Adjust the oscilloscope Y gain, Y shift and time base to obtain a suitable display of the composite pulse.

For convenience, the oscilloscope may be triggered so that the top of the bar is superimposed over the pulse, as in Figure 7.

Ensure that the distortion of the test signal due to the control loop (test equipment) is small compared with the limit specified for the system or equipment to be tested.

- c) Connect the system or equipment to be tested between points A and B.

Adjust the attenuator  $A_2$  to return the input level to the demodulator to that given in item a) of this subclause.

- d) Using the oscilloscope controls, obtain a display as in item b) of this subclause.
- e) With the controls on the test set, null the delay inequality so that the bottom edge of the pulse is symmetrical about the vertical centreline of the pulse (see Figure 7b and Figure 8b).

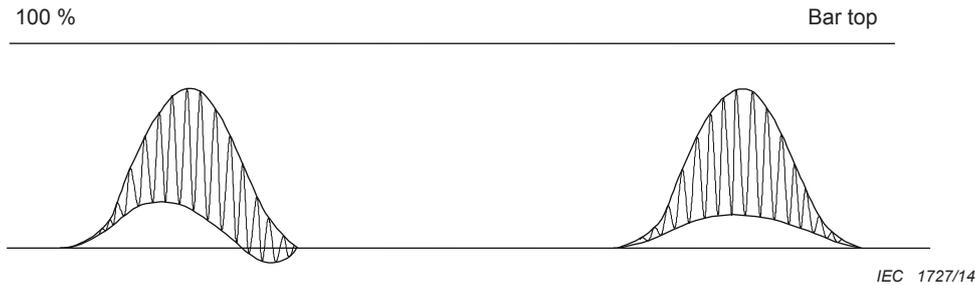


Figure 7a – Before nulling delay

Figure 7b – After nulling delay

Figure 7 – Displayed pulses: chrominance low and lagging

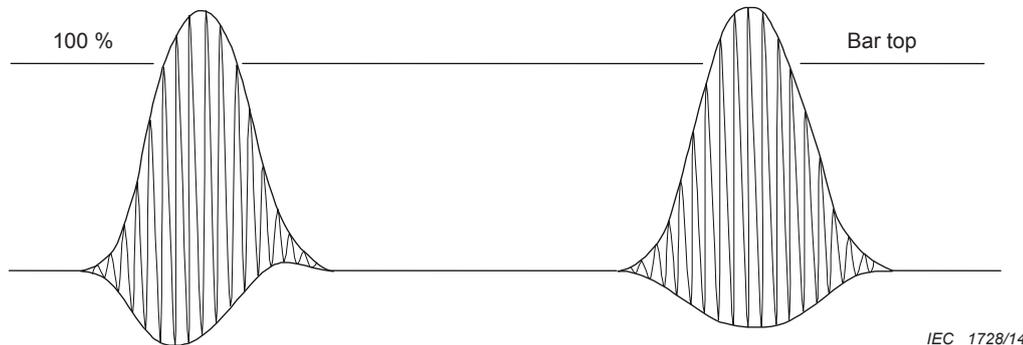


Figure 8a – Before nulling delay

Figure 8b – After nulling delay

Figure 8 – Displayed pulses: chrominance high and leading

- f) Using the calibrated attenuator on the test set, null the gain inequality so that the peak-to-peak amplitude of the chrominance signal equals that of the luminance bar.
- g) If necessary, repeat the procedure of 4.4.4 e) and 4.4.4 f).
- h) Read the gain and delay inequalities from the calibrated test set.

NOTE 1 If the measurement is carried out in the presence of echoes generated by discontinuities in the system under test, the result obtained will be subject to an error of magnitude not exceeding that of the echo.

NOTE 2 It is possible, without the use of the test set, to estimate the delay or gain inequality by direct observation of the pulse against a calibrated graticule and use of a suitable nomograph. The nomograph employed is that applicable to the half-amplitude duration of the particular composite pulse employed for the test. However, where non-linear distortion is present, particularly quadrature distortion in the demodulator, the results will be substantially erroneous.

#### 4.4.5 Presentation of the results

The results are presented in a table showing the measured value of the chrominance-luminance gain and delay inequalities related to the measured channel.

## 4.5 Non-linear distortion

### 4.5.1 General

See IEC 60728-3. The methods described there are applicable to PAL and SECAM systems.

### 4.5.2 Intermodulation

See IEC 60728-3.

### 4.5.3 Composite beat

#### 4.5.3.1 General

The method of measurement of composite beat using AM television signals is applicable to the measurement of the ratio of the carrier-to-composite beat at a specified point in a cable network. The method can also be used to determine the composite beat intermodulation performance of individual items of equipment. This measurement is carried out using the existing channels in the system with their normal modulation.

#### 4.5.3.2 Overview

When the input signals are at regularly spaced intervals (as is common in most frequency allocations for TV channels), the various distortion products tend to cluster in groups, close to the vision carriers and at other regular positions within the TV channels. The number of different products in each cluster increases rapidly with the number of channels. They combine in different ways, depending on the degree of coherence between the generating signals, and the relative phases of the different distortion products.

The method described in this subclause measures the non-linear distortion of a device or system by the composite effect of all the beats clustered close to the vision carrier or at other positions within a TV channel. During the measurement, that channel has to be turned off. The composite beat measured is that generated by all carriers except that or those of the measured channel.

NOTE On systems carrying more than 10 channels, removal of the wanted channel does not significantly affect the result.

If the major contribution to the composite beat is due to distortion products of a particular order, the composite beat will follow the standard level variation for that order. If the composite beat, as measured, does not follow a standard level variation, it shall have significant contributions from distortion products of different orders.

The method is used to support a specification of the following general format: "the composite beat ratio for (list of carriers) in channel (A) at  $B$  dB( $\mu$ V) is  $C$  dB".

(A) designates the channel in which the test is carried out. If omitted, the specification is understood to be a minimum specification for measurements at all the channels specified by the list of carriers.

$B$  is the reference level at which all carriers are set during the measurement, unless otherwise specified. If all carriers are not at the same level, the specification should clearly indicate the level of each carrier relative to the reference level, which is that of the highest carrier level.

$C$  is the composite beat ratio, usually given as a minimum specification.

The list of carriers will usually be specified as a list of standard channel designations, signifying test signals at the frequencies of the corresponding vision carriers.

The ratio of carrier-to-composite beat may not vary with the output signal level in the way expected for distortion of a given order, and it may therefore be necessary to repeat the tests at levels higher and lower than those initially used. Repeat the tests at levels 2 dB higher and lower. It is recommended that these repeat tests are done on the channel which produced the lowest beat ratio during the test.

#### 4.5.3.3 Equipment required

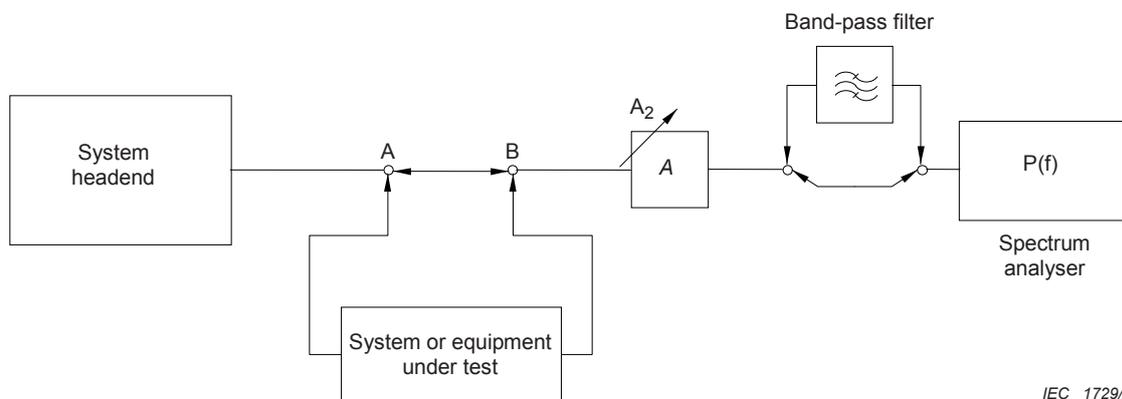
The measurement procedure consists of the following steps.

- a) A spectrum analyser with 30 kHz IF bandwidth and 10 Hz video bandwidth capability.  
When using a spectrum analyser with minimum video filtering capabilities greater than 10 Hz, the composite third-order distortion may be noisy and should be read in the middle of the trace.
- b) A variable 75  $\Omega$  attenuator, adjustable in 1 dB steps.
- c) A bandpass filter for each channel to be tested or a tunable bandpass filter. This filter should attenuate the other channels present on the system to be tested sufficiently to ensure that the products generated by non-linearity in the spectrum analyser itself do not contribute significantly to the composite beat products to be measured. The passband of this filter shall at least be flat within 1 dB over the frequency range of interest.

NOTE If the linearity of the spectrum analyser is sufficient and known, this filter is not necessary.

#### 4.5.3.4 Connection of the equipment

The equipment is connected as in Figure 9.



IEC 1729/14

**Figure 9 – Connection of test equipment for the measurement of non-linear distortion by composite beat**

#### 4.5.3.5 Measurement procedure

The measurement procedure consists of the following steps:

- a) Connect point A directly to point B and disconnect the band pass filter (see Figure 9).
- b) Adjust the spectrum analyser as follows:
 

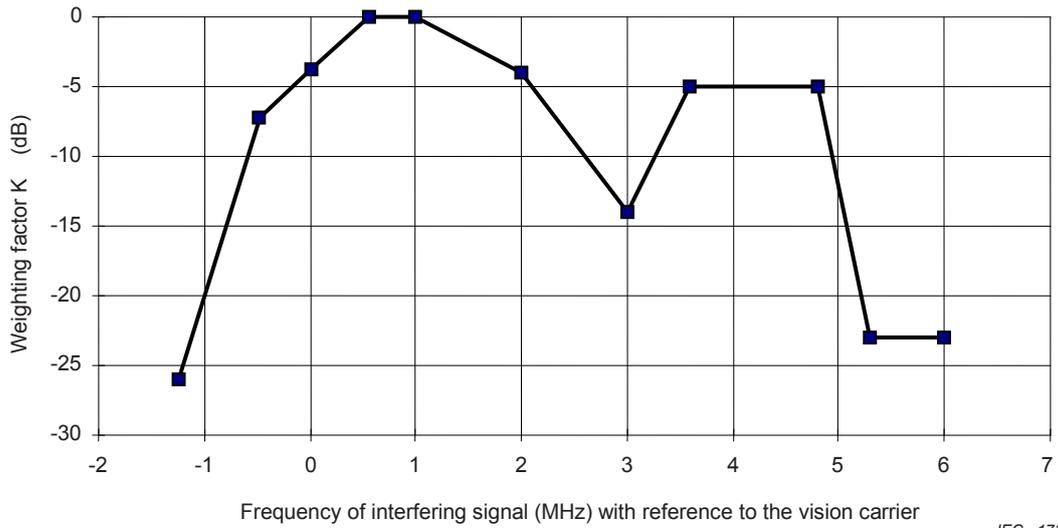
IF bandwidth:	30 kHz
Video bandwidth:	10 Hz
Scan width:	50 kHz/div
Vertical scale:	10 dB/div
Scan-time:	0,2 s/div

- c) Tune the spectrum analyser to the channel in which the measurement is to be made so as to display the vision carrier in a frequency range of 0,5 MHz towards the sound carrier.
- d) Adjust the sensitivity of the spectrum analyser together with its internal and external input attenuator in such a way that the response to the vision carrier corresponds to a full-scale reference. At the same time, the noise level shall be at least 60 dB and preferably 65 dB below the reference level.
- e) Insert the band pass filter (if necessary) corresponding to the channel to be measured and adjust the input attenuator to correct for the attenuation of the filter.
- f) Disconnect the signal feed for the channel to be measured and terminate the input socket with its nominal impedance.
- g) Verify that the intermodulation products generated in the spectrum analyser over the entire channel are below the reference level by an amount of at least 20 dB greater than the required distortion distance. If this is not the case, disconnect the bandpass filter and repeat steps d) to g) of this procedure with an increased input attenuation of the spectrum analyser.
- h) Note the setting of the sensitivity control or the reference level control.
- i) Reconnect the signal feed for the channel and repeat steps c) to h) of this procedure for all channels.
- j) Connect the system to be tested between points A and B.
- k) Adjust the centre frequency of the spectrum analyser as in step c) and insert the appropriate band-pass filter, if necessary.
- l) Adjust the input attenuator (internal and/or external) to return the response of the spectrum analyser to the vision carrier to full scale with the appropriate setting of its sensitivity control (see step h)).  
The external attenuator should be set to a minimum of 10 dB if the filter is in use; otherwise, the system under test will be seriously mismatched.
- m) Disconnect the signal feed for the channel to be measured and terminate the input socket with its nominal impedance.
- n) Note the frequencies at which intermodulation products occur and the level of these products compared with the reference level in the frequency range displayed by the spectrum analyser.
- o) Reconnect the signal feed for the channel, adjust the analyser tuning so as to display the next 0,5 MHz range.
- p) Repeat steps k) to o) until the entire channel has been examined.
- q) If the composite beats are clustered near the vision carrier, then the signal/composite beat ratio is read directly from the screen of the spectrum analyser. In cases where there are several clusters, the ratio is calculated and the subjective effect will be obtained by using the following formula which assumes power addition of the beats:

$$\text{Signal/composite beat} = -10 \lg \sum_{j=1}^M 10^{-((L_j+K_j)/10)}$$

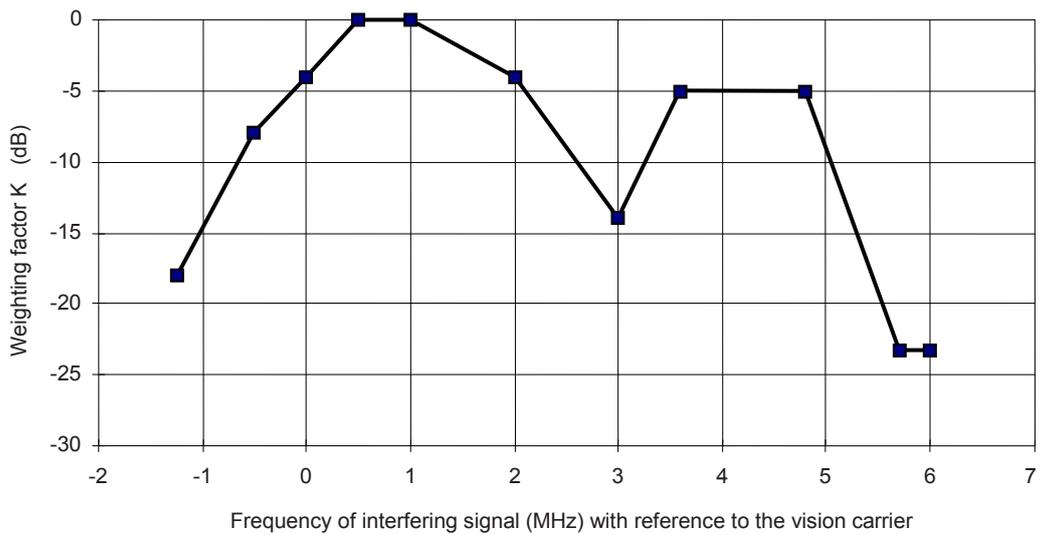
where

- $M$  is the number of different frequencies at which intermodulation product clusters occur;
- $L_j$  corresponds to the ratio, expressed in decibels, of the reference level, at the relevant frequency, to that of the intermodulation product;
- $K_j$  is the weighting factor expressed in decibels at the relevant frequency as obtained from Figure 10, Figure 11, Figure 12 and Figure 13.



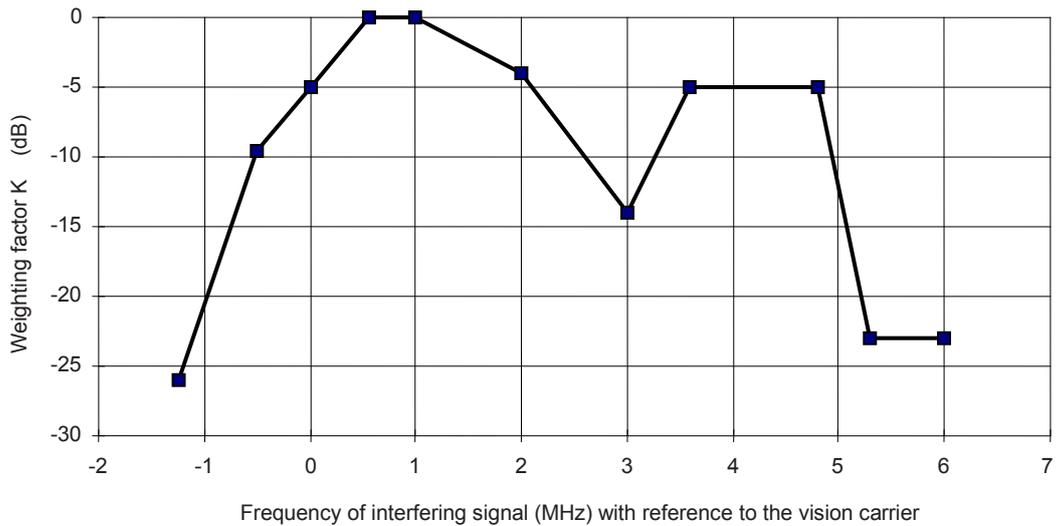
IEC 1730/14

**Figure 10 – Weighting curve for 625-line system B, G and D1 (PAL): CW interference with no special (frequency offset) control**



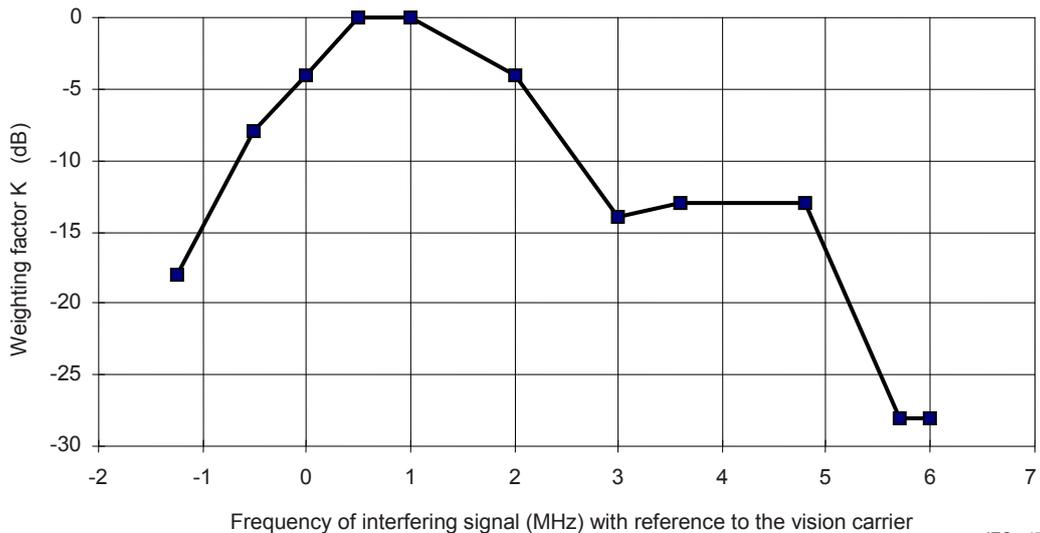
IEC 1731/14

**Figure 11 – Weighting curve for 625-line system I (PAL): CW interference with no special (frequency offset) control**



IEC 1732/14

**Figure 12 – Weighting curve for 625-line systems D and K (PAL):  
CW interference with no special (frequency offset) control**



IEC 1733/14

**Figure 13 – Weighting curve for 625-line system L (SECAM):  
CW interference with no special (frequency offset) control**

NOTE A cluster is a group of beats (intermodulation products) falling around a carrier or inside a TV channel.

r) Repeat steps k) to p) of this procedure for every channel used in this test.

s) The signal/composite beat ratio for the system under test to be taken is the lowest obtained in step r).

#### 4.5.3.6 Presentation of the results

The results are presented in a table showing the measured values of composite beats (CTB/CSO) for each relevant TV channel.

#### 4.5.4 Composite crossmodulation

Under consideration.

#### 4.5.5 Intermodulation noise

The method of measurement of signal to intermodulation noise ratio  $S_{D,RF}/I_N$  is the same as for RF signal-to-noise ratio  $S_{D,RF}/N$ . The measurement is performed at the system outlet or at the output of a distribution equipment with the QAM channel load designed in operation.

#### 4.5.6 Hum modulation of carriers

##### 4.5.6.1 Overview

This is a method of measurement of the amplitude modulation (AM), at supply frequencies and harmonics thereof, of the signals on cable networks.

A simplified procedure for use where lower sensitivity will suffice is outlined in 4.5.6.6. For relatively high levels of hum modulation, the two methods will yield the same result. Both of the above methods use a DC reference.

An alternative method using an AC reference is described in 4.5.6.7 to 4.5.6.9.

NOTE These methods are not suited to the measurement of "hum" modulation resulting from the use of switched-mode power supplies, due to the insertion of the 1 kHz low-pass filter. It may be possible to obtain such a measurement without the filter in the circuit, but the results may be inaccurate due to the presence of wideband noise. A revised method of measurement is currently under consideration.

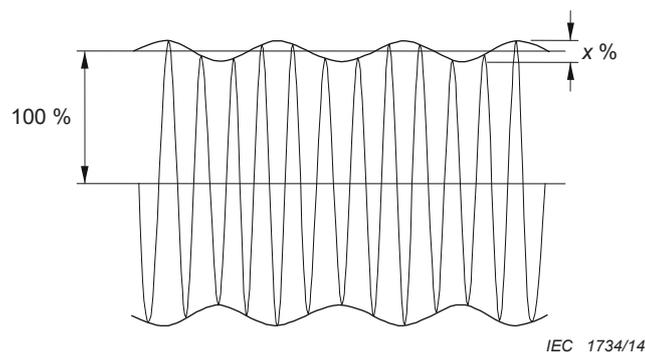
##### 4.5.6.2 Definition

The signal/hum ratio measured by this method is defined as:

$$\text{signal/hum} = 20 \lg \frac{\text{reference modulation}}{\text{peak-to-peak "hum" modulation}} \quad \text{dB}$$

When the reference modulation is a vision signal, its amplitude is that of the peak-to-peak composite signal (see Figure 14).

For an AM sound signal, the reference modulation depth is taken to be 40 %.



##### Key

x = percentage peak-to-peak hum modulation

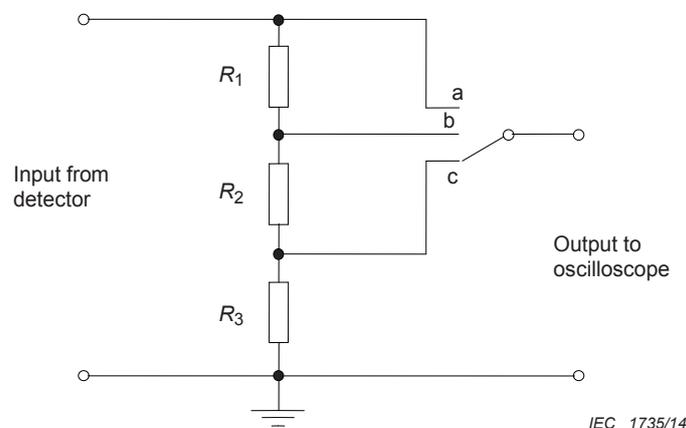
**Figure 14 – Hum modulation envelope**

##### 4.5.6.3 Equipment required for DC method

The test set-up shall be well-matched.

Note that items a), b), c) and e) of this subclause, if applicable, should preferably be powered from batteries (see also 4.5.6.4 b)).

- a) A CW signal generator with output frequency range and output level to suit the system to be tested.
- b) A tuned signal amplifier to raise, with negligible distortion, the level of the test signal at the point of measurement to about  $2 V_{\text{RMS}}$ , where "negligible distortion" signifies small compared with the level of hum modulation expected to be measured.
- c) An oscilloscope: dual channel, DC coupled, with differential facility, capable of measurement of a signal of 1 mV peak-to-peak.
- d) A terminating RF detector of impedance equal to the  $Z_0$  of the system under test.
- e) A low-pass filter with 1 kHz cut-off; impedances to suit the detector output.
- f) Two attenuators, variable in steps of 1 dB.
- g) A calibrated potential divider (as shown in Figure 15).

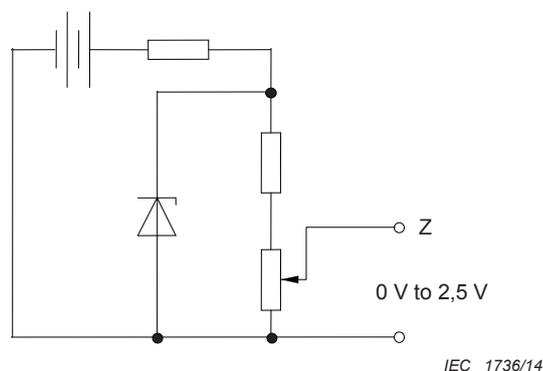


$$R_1 = 68 \Omega \pm 1 \%, R_2 = 200 \Omega \pm 1 \%, R_3 = 100 \text{ k}\Omega \pm 5 \%$$

These values take into account the input impedance of a typical oscilloscope (1 M $\Omega$ ).

**Figure 15 – Calibrated potential divider**

- h) A stable variable DC source (as shown in Figure 16).



To achieve a stable variable DC source proceed as follows.

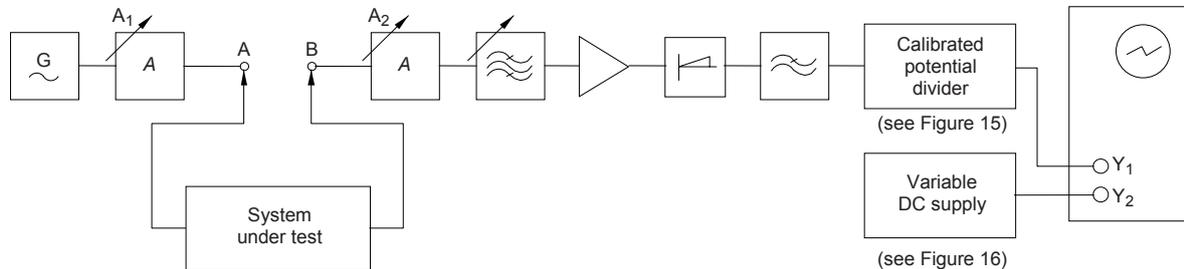
- a) Arrange polarity to suit detector and oscilloscope in use.
- b) Values chosen to suit the voltage of the battery and the Zener diode employed.
- c) Multi-turn potentiometer preferred for precise setting.

**Figure 16 – Stable variable DC source**

#### 4.5.6.4 Connection of the equipment

Connect the test equipment as follows:

- a) If battery-powered equipment is available, this shall be connected as shown in Figure 17.



IEC 1737/14

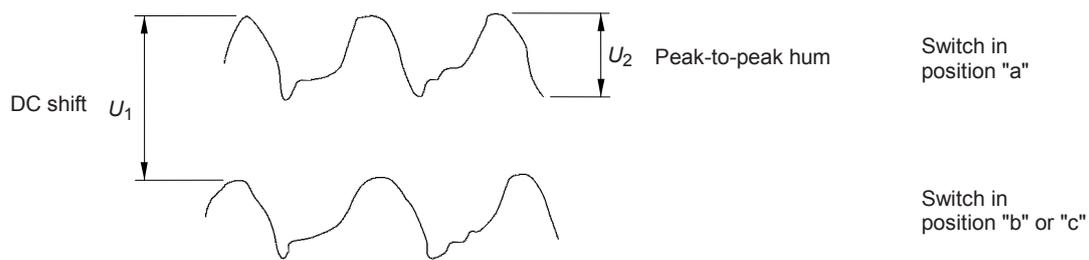
**Figure 17 – Connection of equipment for measurement of hum modulation (DC method)**

- b) If mains-powered equipment is to be used, point A should be linked to point B and a check should be carried out in accordance with 4.5.6.5 a) and 4.5.6.5 c) to 4.5.6.5 f), to ascertain that the level of hum modulation within the test equipment is such that it may be neglected. It shall be small compared with the maximum allowed by the relevant system performance requirement. If this check is satisfactory, the system to be tested may be connected as shown in Figure 17.

#### 4.5.6.5 Measurement procedure

The measurement procedure consists of the following steps.

- Set the signal generator frequency to that of the vision carrier (or sound carrier) of the channel to be tested.
- Adjust attenuator  $A_1$  to provide the correct level of CW signal at the input to the system. This level is equal to the RMS value of the relevant television signal during its modulation peaks or the unmodulated carrier level for sound.
- Adjust attenuator  $A_2$  to give a signal of about  $2 V_{RMS}$  across the RF termination of the detector.
- With the switch of the potential divider (Figure 15) set to "a", adjust the oscilloscope controls and the DC offset voltage to the  $Y_2$  input to obtain a display of the demodulated hum signal. Note the peak-to-peak amplitude of the display.
- Move the potential divider switch to "b" or "c", depending upon the amplitude of the displayed hum, and keeping all other settings adjusted as described in step d) of this subclause, note the change in DC level of the display; This change is equivalent to an amplitude reduction of 0,07 % for position "b", and of 0,3 % for position "c".
- Interpolate the result obtained in step d) of this subclause, in relation to the change observed in step e) of this subclause, as a percentage of peak-to-peak (see Figure 18).



IEC 1738/14

NOTE Percentage peak-to-peak hum =  $U_2 / U_1 \times 0,07$  % for position "b" or  $U_2 / U_1 \times 0,3$  % for position "c".

**Figure 18 – Oscilloscope display**

g) Calculate the signal/hum ratio (in dB) as follows:

$$\text{signal/hum} = 20 \lg \left( \frac{100}{\% \text{ peak-to-peak hum}} \right) - R \quad \text{in dB}$$

where  $R$  is appropriate to the system, as given in Table 2.

#### 4.5.6.6 Simplified procedure

The simplified measurement procedure consists of the following steps.

- Where suitable equipment is available and the values of signal/hum ratios to be measured are relatively high (signal/hum  $\gg$  34 dB to 40 dB), a simplified procedure may be adopted.
- This entails the use of a tuned demodulator, for example, a signal level meter (having a DC coupled video output) and the measurement, with a suitable oscilloscope, of the DC and AC components of the hum modulated test carrier. Battery operation of the test equipment is again advisable and a low-pass filter (similar to that described in 4.5.6.3 e)) will also be required.
- The calculation of signal/hum ratio (in dB) is then as follows:

$$\text{signal/hum} = 20 \lg \left( \frac{\text{measured DC voltage}}{\text{measured peak-to-peak AC voltage}} \right) - R \quad \text{in dB}$$

**Table 2 – Residual carrier reduction factors**

Maximum modulation depth %	Residual carrier %	Reduction factor $R$ dB
95	5	0,5
90	10	1
80	20	2
40 <sup>a</sup>	a	2

<sup>a</sup> In the case of AC amplitude modulation of a sound carrier, the term "residual carrier" is not appropriate.

#### 4.5.6.7 Equipment required for AC method

The test set-up shall be well-matched and shall consist of of the following pieces of equipment.

Note that items a), b), e) and i) of this subclause, if applicable, should preferably be powered from batteries (see also 4.5.6.9 b)).

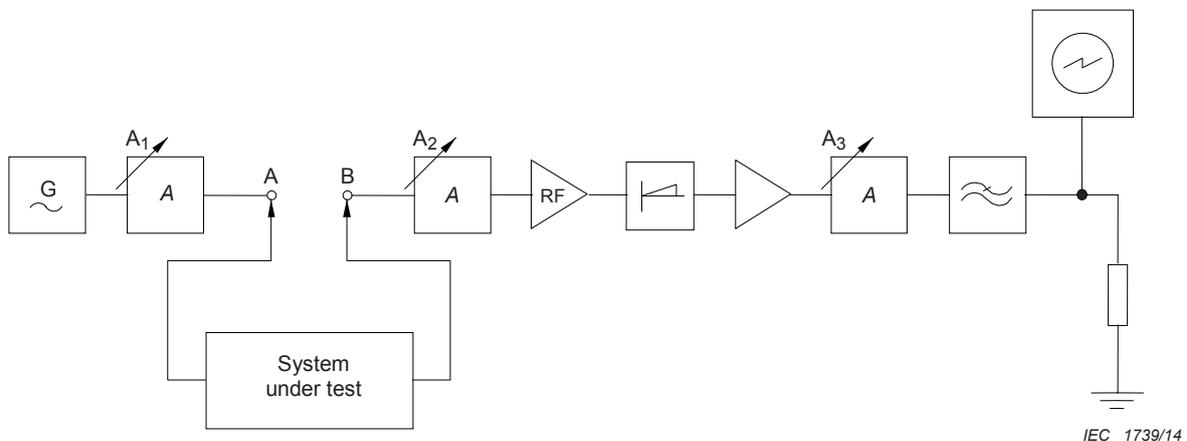
- a) A CW signal generator, with output frequency range and output level to suit the system to be tested, and with provision for sinewave modulation at a frequency up to 1 kHz.
- b) A tuned signal amplifier, to raise, with negligible distortion, the level of the test signal at the point of measurement to about  $2 V_{\text{RMS}}$ , where "negligible distortion" signifies small compared with the level of hum modulation expected to be measured.
- c) Two variable RF attenuators  $A_1$  and  $A_2$ , variable in 1 dB steps and suitable for the frequency of operation and for the impedance of the system under test.
- d) A terminating RF detector of impedance equal to that of the system under test.
- e) An audio frequency amplifier, AC coupled and having sufficient gain to raise the level of the detected hum signal to a value providing a suitable display on the oscilloscope, and of output impedance to match the attenuator (see item f).
- f) An audio frequency attenuator  $A_3$  variable in 1 dB steps and having a minimum range of 60 dB.
- g) A low-pass filter with a 1,0 kHz cut-off frequency and impedance to match the output of the audio frequency attenuator (see item f)).

NOTE The use of a modulation frequency as low as 200 Hz with a corresponding low-pass filter may be preferable when the detected hum is largely affected by random noise.

- h) An audio frequency termination having an impedance matching the output of the low-pass filter (see item g)).
- i) A single channel audio frequency AC coupled oscilloscope having a sensitivity depending on the choice of amplifier (see item e).

#### 4.5.6.8 Connection of the equipment

If battery-powered equipment is available this is connected as shown in Figure 19.



**Figure 19 – Connection of equipment for hum modulation measurement (AC method)**

If mains-powered equipment is to be used, point A should be linked to point B and a check carried out in accordance with 4.5.6.9 to ascertain that the level of hum modulation within the test equipment is such that it may be neglected. It shall be small compared with the maximum allowed by the relevant system performance requirement. If this check is satisfactory, the system to be tested may be connected as shown in Figure 19.

#### 4.5.6.9 Measurement procedure

The measurement procedure consists of the following steps.

- a) Ensure that the modulation depth indicator on the signal generator is correctly calibrated at the frequencies and modulation depths to be used in the measurement; see Annex B and step c) below.

- b) Set the signal generator frequency to that of the vision carrier (or sound carrier) of the channel to be tested.
- c) Modulate the carrier to a depth of 1 % at a suitable frequency in the range 100 Hz to 1 kHz.
- d) Adjust attenuator  $A_1$  to provide the correct mean level of modulated CW signal at the input to the system. This level is equal to the RMS value of the relevant TV signal during its modulation peaks or to the unmodulated carrier level for sound.
- e) Adjust attenuator  $A_2$  to give a signal of about  $2 V_{\text{RMS}}$  across the RF termination of the detector.
- f) With the audio attenuator  $A_3$  set to 60 dB attenuation, adjust the oscilloscope controls and audio amplifier gain, if necessary, to provide a suitable display on the oscilloscope. Note the peak-to-peak amplitude of the display.
- g) Remove the modulation of the carrier.
- h) Readjust the audio attenuator to provide on the oscilloscope a display of the hum having a peak-to-peak amplitude equal to that noted in step f). Note the change in the attenuator reading  $\alpha$ .
- i) Calculate the signal/hum ratio (in dB) as follows:

$$\text{signal/hum} = 34 + (\alpha - R) \text{ dB}$$

where

$\alpha$  is the change in attenuator reading (in step h));

$R$  is a reduction factor given in Table 2 of 4.5.6.6 c)).

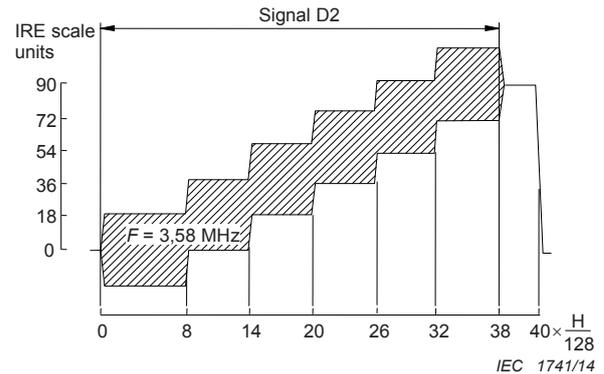
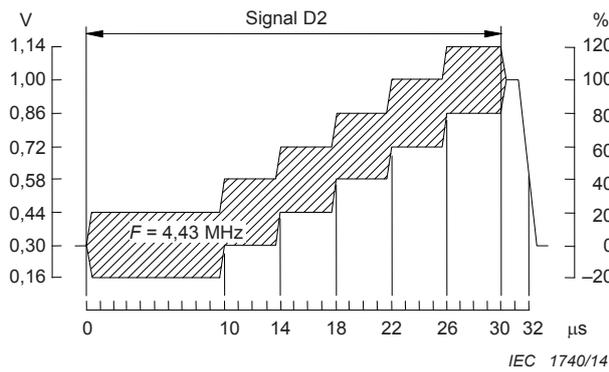
#### 4.5.6.10 Presentation of the results

The results are presented in a table showing the measured values of hum modulation for the vision carrier (or sound carrier) of each relevant TV channel.

### 4.5.7 Differential gain and phase

#### 4.5.7.1 Overview

The methods described are applicable to the measurement of differential gain and differential phase for complete systems and constituent items of equipment. The test signals employed are, in both cases, those recommended in ITU-T Recommendation J.61, and are shown in Figure 20a and Figure 20b. The definitions are also those given in the same recommendation.



NOTE 1 In full field-test signals, each tread of the staircase may have a duration of 8,66  $\mu$ s.

NOTE 2 Scale refers to tread levels.

NOTE 3 Sub-carrier amplitude is  $\pm 20$  IRE units.

Figure 20a – Signal D2 for 625-line system

Figure 20b – Signal D2 for 525-line system

Figure 20 – Signal D2

It is intended that these measurements are carried out with test signals inserted at the system headend. They may be either of the full field type or, where convenient, may be inserted in the field blanking period.

The use of inserted test signals available on the broadcast TV channels is not generally recommended as these are subject to variations beyond the control of the user. However, where such signals, of known stability and of adequate quality, are available, they may be used to carry out these measurements.

#### 4.5.7.2 Differential gain

##### 4.5.7.2.1 Definition

Differential gain is expressed by two values:  $x$  % and  $y$  %, which represent the two peak amplitudes of the sub-carrier relative to the amplitude of the sub-carrier at blanking level. In the case of a monotonic characteristic, either  $x$  or  $y$  will be zero.

Differential gain, in percentage referred to blanking level, can be found from the following expressions:

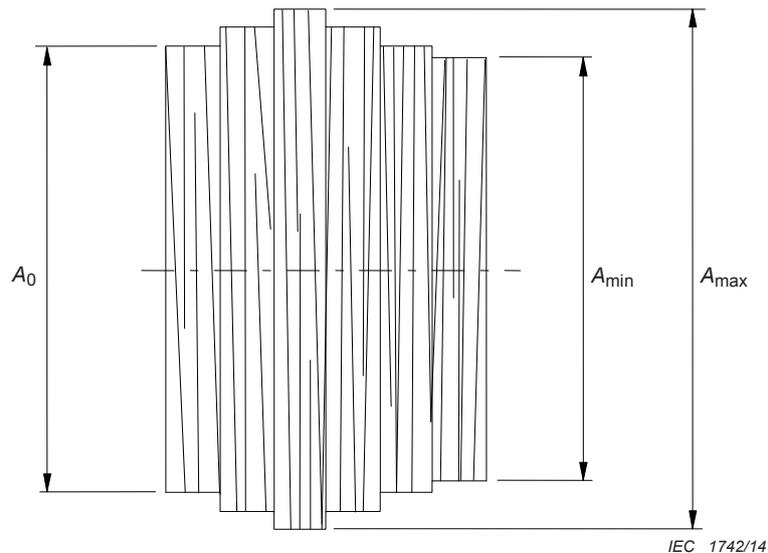
$$x = 100 \left( \frac{A_{\max}}{A_0} - 1 \right) \quad \text{and} \quad y = 100 \left( \frac{A_{\min}}{A_0} - 1 \right)$$

Peak-to-peak differential gain can be found from the expression:

$$100 \frac{A_{\max} - A_{\min}}{A_0} = x - y$$

where

$A_{\max}$  and  $A_{\min}$  are defined as shown in Figure 21.



**Figure 21 – Example of the modified staircase waveform**

$A_0$  is the amplitude of the received sub-carrier at blanking level;

$A$  is the amplitude of the sub-carrier of one of the other treads of the staircase.

#### 4.5.7.2.2 Equipment required

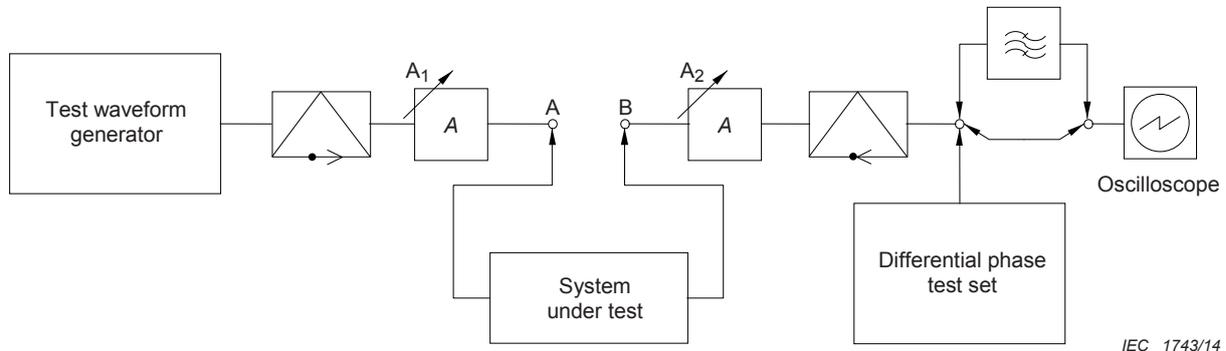
The test set-up shall be well-matched and shall consist of

- a) an oscilloscope which will not contribute significant distortion to the signal displayed,
- b) a modulator (unless transmitted test signals in the field blanking interval are to be used) having the following characteristics:
  - 1) radio-frequency characteristics (excluding sound) corresponding to ITU-R Recommendation BT.470, and appropriate to the television transmission system used;
  - 2) video signal input requirement of 1 V peak-to-peak composite;
  - 3) a modulated output signal of a convenient amplitude,
- c) a synchronous demodulator having characteristics appropriate to the television transmission system used,
- d) two attenuators variable in steps of not more than 1 dB,
- e) a band-pass filter having  $f_0 = 4,43$  MHz or 3,58 MHz (the chrominance sub-carrier frequency) and a bandwidth of 0,5 MHz,
- f) a test signal generator (unless transmitted test signals are used) providing signals having characteristics appropriate to the television transmission system under consideration, as specified in ITU-T Recommendation J.61 (signal D2), although a lower chrominance amplitude would be acceptable.

NOTE Most commercially available test signal generators will provide this signal as part of a composite test line.

#### 4.5.7.2.3 Connection of the equipment

The equipment shall be connected as in Figure 22.



**Figure 22 – Arrangement of test equipment for measurement of differential gain and phase**

#### 4.5.7.2.4 Measurement procedure

The measurement procedure consists of the following steps:

- With point A directly connected to point B (see Figure 22), adjust attenuator  $A_1$  for an output level sufficient to drive the system to be tested and attenuator  $A_2$  to obtain the correct input level to the demodulator.
- Insert the appropriate band-pass filter after the demodulator (see Figure 22) and measure the differential gain by examining the modified staircase waveform (see Figure 21 and 4.5.7.2.1).
- Ensure that the distortion of the test signal caused by the control loop (test equipment) is small compared with the maximum distortion allowed for the system or equipment to be tested.

NOTE 1 Where the linearity of the modulator/demodulator is such that on systems B and G (10 % residual carrier) this requirement cannot be met, it will be necessary either to reduce the sub-carrier amplitude or to ignore the sixth (uppermost) tread.

- Connect the system or equipment to be tested between points A and B, and disconnect the band-pass filter. Adjust attenuator  $A_2$  to return the input level to the demodulator to that used in step a).
- Reinsert the band-pass filter and measure the maximum differential gain by examining the modified staircase waveform (see Figure 21 and 4.5.7.2.1).

NOTE 2 This result includes the distortion due to the test equipment as well as the system under test.

#### 4.5.7.3 Differential phase

##### 4.5.7.3.1 Definition

Differential phase is expressed by two values  $x$  and  $y$ , in degrees, which represent the two peak phases of the sub-carrier relative to the phase of the sub-carrier at blanking level. In the case of a monotonic characteristic, either  $x$  or  $y$  will be zero.

Differential phase, in degrees, referred to blanking level, can be found from the expressions below:

$$a = \Phi_{\max} - \Phi_0 \quad \text{and} \quad b = \Phi_{\min} - \Phi_0$$

Peak-to-peak differential phase can be found from the expression:

$$\Phi_{\max} - \Phi_{\min} = a - b$$

where

- $\Phi$  is the phase of the received sub-carrier on one of the other treads of the staircase;
- $\Phi_0$  is the phase of the received sub-carrier at blanking level;
- $\Phi_{\max}$  is the maximum value of  $\Phi$  obtained by examining each tread of the staircase;
- $\Phi_{\min}$  is the minimum value of  $\Phi$  obtained by examining each tread of the staircase.

#### 4.5.7.3.2 Equipment required

The following pieces of equipment are needed.

- a) A modulator (unless transmitted test signals in the field blanking intervals are to be used) having the following characteristics:
  - 1) radio-frequency characteristics (excluding sound) corresponding to ITU-R Recommendation BT.470, and appropriate to the television transmission system used;
  - 2) video signal input requirement of 1 V peak-to-peak composite;
  - 3) a modulated output signal of a convenient amplitude.
- b) A synchronous demodulator having characteristics appropriate to the television transmission system used.
- c) Two attenuators variable in steps of not more than 1 dB.
- d) A test set capable of measuring the difference in phase of the sub-carrier at each tread of the staircase, compared with that at the reference (black) level.
- e) A test waveform generator (unless transmitted test signals in the field blanking intervals are to be used) providing signals having characteristics appropriate to the television transmission system under consideration, as specified in ITU-T Recommendation J.61 (signal D2), although a lower amplitude of the chrominance component would be acceptable (see NOTE to 4.5.7.2.2 f)).

NOTE Certain types of test sets (see item d)) require the presence of a colour burst during the back porch period of the test signal.

#### 4.5.7.3.3 Connection of the equipment

The equipment shall be connected as shown in Figure 22.

#### 4.5.7.3.4 Measurement procedure

The measurement procedure consists of the following steps:

- a) With point A directly connected to point B (see Figure 22) adjust attenuator  $A_1$  for an output level sufficient to drive the system to be tested and attenuator  $A_2$  to obtain the correct input level to the demodulator. Connect the differential phase test set.
- b) Ensure that the distortion of the test signal due to the control loop (test equipment) is small compared with the maximum distortion allowed for the system or equipment to be tested (see also NOTE 1 of 4.5.7.2.4 c)).
- c) Connect the system or equipment to be tested between points A and B. Adjust attenuator  $A_2$  to return the input level to the demodulator to that used in step a) of this subclause.
- d) Determine the relative sub-carrier phases corresponding to the six treads of the staircase waveform. The differential phase ( $x$  and  $y$ ) of the system or equipment under test is the phase change between the blanking level tread and that of any other tread of the staircase as defined in 4.5.7.3.1. The peak-to-peak differential phase can be calculated according to 4.5.7.3.1.

#### 4.5.7.4 Presentation of the results

The results of the measurement of the differential gain shall be presented indicating the two measured values  $x$  % and  $y$  %, referred to the relevant TV channel.

The results of the measurement of the differential phase shall be presented indicating the two measured values  $x$  and  $y$ , in degrees, referred to the relevant TV channel.

### 4.6 Carrier-to-noise ratio

#### 4.6.1 Overview

The method described is applicable to the measurement of the carrier to random noise ratio within a television channel at a specified point within a cable network. The method of measurement actually determines carrier (plus noise) to noise ratio. However, the difference between this value and the carrier-to-noise ratio is very small if the value exceeds 20 dB.

The method assumes that the random noise is evenly distributed within the channel.

#### 4.6.2 Equipment required

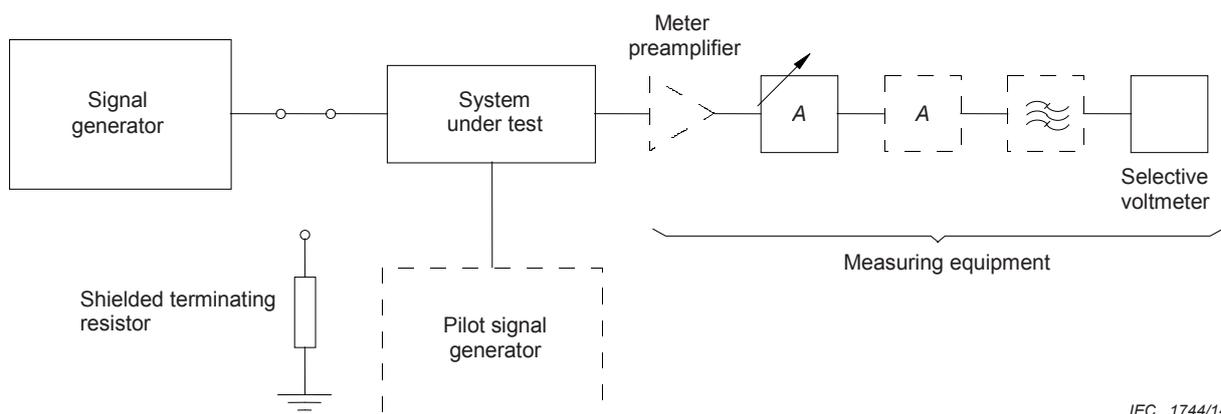
The following test equipment is needed.

- A measuring receiver with a known noise bandwidth less than that of the channel to be measured.
- A CW signal generator covering the frequencies at which the tests are to be carried out.
- A variable attenuator with a range greater than the carrier-to-noise ratio expected.
- A shielded terminating resistor.

NOTE Additional items may be necessary, for example, to ensure correct calibration and operation of the test equipment (see Annex C).

#### 4.6.3 Connection of the equipment

The equipment shall be connected as shown in Figure 23.



NOTE Dotted lines signify additional items, which may be required.

**Figure 23 – Arrangement of test equipment for carrier-to-noise ratio measurement**

#### 4.6.4 Measurement set-up

##### 4.6.4.1 General

The measurement procedure consists of the following steps.

- a) The test set-up shall be well-matched and the sensitivity of the measuring equipment (see Annex D) shall be known over the frequency range of the channel to be measured.
- b) Where the system to be measured includes
  - 1) automatic gain control (AGC), tests should be carried out at minimum and maximum levels of signal input,
  - 2) automatic level control (ALC), pilot signals of the correct type, frequency and level shall be maintained throughout the tests.
- c) The measuring receiver shall be calibrated and checked for satisfactory operation as explained in 4.6.4.2 and 4.6.4.3.

##### 4.6.4.2 Calibration

Calibration procedure:

- level correction, average/RMS or peak/RMS (see Annex E);
- noise bandwidth (see Annex F).

##### 4.6.4.3 Other checks

Other checks to be considered:

- sensitivity (see Annex C);
- noise (see Annex D);
- intermodulation (see Annex D);
- overload (see Annex D).

#### 4.6.5 Measurement procedure

The measurement procedure consists of the following steps.

- a) Set the signal generator frequency to the vision carrier frequency of the channel to be tested and adjust its output, and those of the different points of the system as far as the point of measurement, to obtain the specified system operating levels throughout.
- b) Connect the variable attenuator and measuring receiver (and other items if required, see Annex C) to the point of measurement. Tune the measuring receiver to the reference signal and note the attenuator value  $\alpha_1$  required to obtain a convenient measuring receiver reading  $R$ . The attenuator value  $\alpha_1$  should be slightly greater than the signal-to-noise ratio expected at the point of measurement.
- c) Disconnect the generator and replace it by the shielded terminating resistor, or, if the reference signal is used for AGC, retune the measuring receiver within the channel in such a way that it is influenced only by random noise. Reduce the attenuator setting to the value  $\alpha_2$  required to obtain the same measuring receiver reading  $R$ .
- d) The carrier-to-noise ratio in decibel is given by

$$C/N = \alpha_1 - \alpha_2 - C_m - C_b$$

where

$\alpha_1$  is the attenuator value for the reference signal;

$\alpha_2$  is the attenuator value for the noise;

$C_m$  is the measuring receiver level correction factor (see Annex E);

$C_b$  is the bandwidth correction factor (see Annex E).

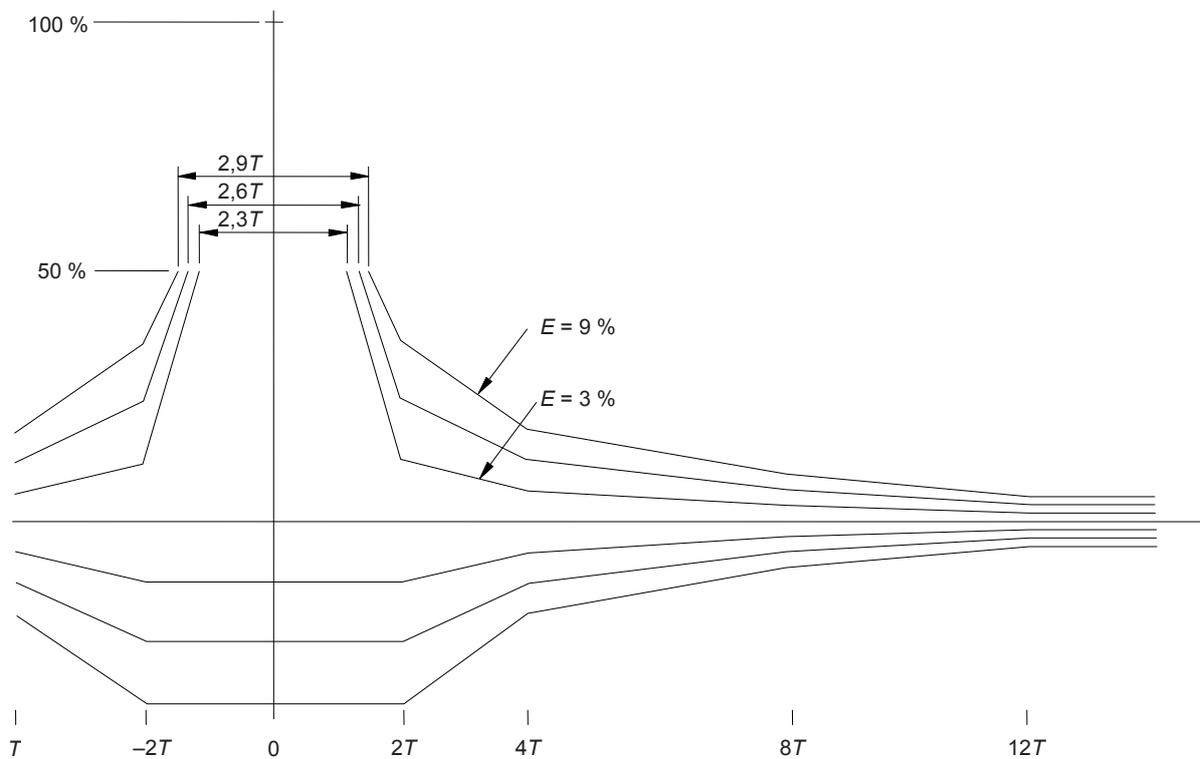
#### 4.6.6 Presentation of the results

The result of the measurement of the carrier-to-noise ratio shall be presented indicating the measured value referred to the relevant TV channel.

### 4.7 Echoes

#### 4.7.1 Overview

The method described is applicable to the measurement of the amplitude and time displacement of an echo at a specified point within a cable network by the use of a  $2T$ -sine-squared pulse with the graticule as shown in Figure 24. From these measurements, an "echo-rating" is derived.



IEC 1745/14

$\pm T$	Maximum amplitude for a given $E$ rating (%)		
	3	6	9
0	+100, -12	+100, -24	+100, -36
2	$\pm 12$	$\pm 24$	$\pm 36$
4	$\pm 6$	$\pm 12$	$\pm 18$
8	$\pm 3$	$\pm 6$	$\pm 9$
12	$\pm 1,5$	$\pm 3$	$\pm 4,5$

Figure 24 – Echo rating graticule

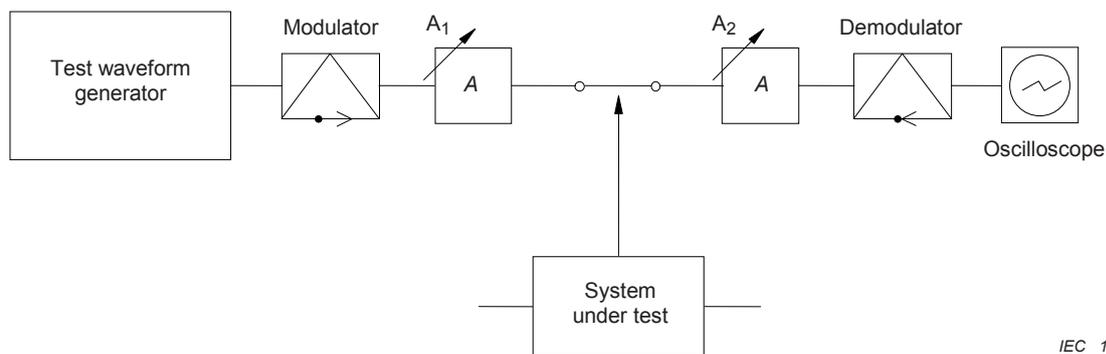
#### 4.7.2 Equipment required

The test set-up shall be well-matched and shall consist of

- a test waveform generator providing a sine-squared pulse of half amplitude duration equal to  $2T$ , where  $T = 100$  ns is the length of time. The test signals are in accordance with ITU-T Recommendation J.61,
- a modulator having RF characteristics (excluding sound) appropriate to the television system under consideration (see ITU-R Recommendation BT.470) and input characteristics to suit the generator in item a),
- a synchronous demodulator having characteristics appropriate to the television system under consideration,
- two attenuators variable in 1 dB steps,
- an oscilloscope of negligible distortion up to 5 MHz, fitted with a graticule as shown in Figure 24.

#### 4.7.3 Connection of the equipment

The equipment shall be connected as shown in Figure 25.



**Figure 25 – Arrangement of test equipment for measurement of echo rating**

#### 4.7.4 Measurement procedure

The measurement procedure consists of the following steps.

- With the equipment connected as shown in Figure 25, adjust the oscilloscope time-based speed to correspond with the  $T$ -scale on the graticule. Adjust the vertical gain and position controls to "fit" the pulse between the zero line and the pulse peak reference point; Examine the performance of the test equipment (control loop), which shall be such that an  $E$ -rating of not greater than 3 % is achieved. When frequency conversion is involved, the test equipment shall be checked at both the input and output channels.
- Connect the test equipment to the system as shown in Figure 25. Adjust the variable attenuator  $A_1$  to provide an input signal to the system at a level equal to that at which it normally operates. Adjust the attenuator  $A_2$  to provide an input signal to the demodulator equal to that used in step a) of this subclause.
- Using the graticule as a reference, as before, determine the  $E$ -rating for each echo and note that of the echo with the highest rating.
- Using the horizontal shift control of the oscilloscope slowly move the display to the left and examine any long-distance echoes. These should be rated using the parallel section of the graticule at the extreme right. Note the highest rating.
- The  $E$ -rating for the system is the higher of the two figures noted in steps c) and d) of this subclause.

NOTE This result will not be that of the system alone. It is modified by the inherent distortion in the test equipment, usually due to group delay errors.

#### 4.7.5 Presentation of the results

The result of the measurement of the echo shall be presented indicating the measured value of the *E*-rating referred to the relevant TV channel.

### 4.8 AM-VSB television, FM radio and FM television signal level

#### 4.8.1 General

The method of measurement described is applicable to the measurement of AM or FM carriers.

#### 4.8.2 Definitions for NTSC, PAL and SECAM systems

##### 4.8.2.1 Signal level for AM-VSB vision carriers

The vision carrier signal level is the RMS value of the vision carrier at the peak of the modulation envelope, expressed in dB( $\mu$ V) and measured across a 75  $\Omega$  termination or referred to 75  $\Omega$ .

This will correspond, in negative modulation systems, to the carrier amplitude during synchronizing pulses and, in positive modulation systems, to that at peak white level without a chrominance signal, as shown in ITU-R Recommendation BT.470, Figure 1.

##### 4.8.2.2 AM or FM sound carrier level

The level of an AM or FM sound signal is the RMS value of the unmodulated carrier expressed in dB( $\mu$ V) and measured across a 75  $\Omega$  termination or referred to 75  $\Omega$ .

##### 4.8.2.3 Signal level for FM radio or FM television

The level of an FM radio or a FM TV signal is the RMS value of the unmodulated carrier expressed in dB( $\mu$ V) and measured across a 75  $\Omega$  termination or referred to 75  $\Omega$ .

#### 4.8.3 Equipment required

A "well-matched" radio-frequency measuring receiver having

- a) a nominal input impedance of 75  $\Omega$  or transformed to 75  $\Omega$  and being calibrated in dB( $\mu$ V),
- b) a detection system capable of attaining the peak of the AM carrier to be measured,
- c) facilities to adjust the detector characteristics for the measurement of AM and FM carriers,
- d) a passband of at least 120 kHz, with sufficient selectivity to ensure that carriers other than those measured shall not influence the result.

NOTE The accuracy of the radio-frequency measuring receiver is not specified, since this will depend on the purpose of the measurement. Laboratory instrumentation can achieve better than  $\pm 0,5$  dB, but most level measurements on an operating cable network are concerned with levels at system outlets. For this application, less expensive portable equipment, whose overall accuracy is unlikely to be better than  $\pm 2$  dB, is usually found to be acceptable. A spectrum analyser can also be used.

#### 4.8.4 Measurement procedure

The measurement procedure consists of the following steps.

- a) When signal levels are to be measured where a high ambient field is present, the measuring receiver or the spectrum analyser shall be checked for spurious readings. Connect a shielded termination to its input cable, place both meter and lead approximately

in their measurement positions and check that there is a negligible reading at the frequencies and on the meter ranges to be used.

- b) Connect the measuring receiver or spectrum analyser to the point of measurement by means of a suitable coaxial cable, taking care to maintain correct impedance matching.
- c) Read the signal level in accordance with the instructions provided by the instrument manufacturer and note the results. When recording the results, the measurement accuracy of the instrument shall be stated.

If the input impedance of the measuring receiver or spectrum analyser is other than  $75 \Omega$  and a matching device is required, or if any other interface equipment is employed, then an allowance shall be made for the resultant change in voltage level. Losses in the interconnecting cables, where these are significant, shall also be taken into account.

For positive AM-VSB modulation TV systems, the measuring receiver shall remain connected for a sufficient period to ensure that the maximum reading is obtained. It may therefore be necessary to observe the picture in order to ensure that peak white is present in the signal during the measurement.

In the case of a dual outlet, the unused outlet shall be terminated with the correct characteristic impedance during the measurement.

When using a spectrum analyser, the peak hold mode shall be used.

#### **4.8.5 Presentation of the results**

The result of the measurement of the signal level shall be presented indicating the measured value, expressed in  $\text{dB}(\mu\text{V})$  (being measured across a  $75 \Omega$  termination or referred to  $75 \Omega$ ), and referred to the vision or sound carrier of the relevant TV channel.

#### **4.9 Data echo rating and data delay inequality**

Under consideration.

#### **4.10 Interference in FM sound radio channels**

Under consideration.

#### **4.11 Methods of measurement for digitally modulated signals**

##### **4.11.1 Overview**

The methods of measurement for digitally modulated signals differ from those for analogue modulation for several reasons:

- a) the carrier is not present in the modulated signal and therefore cannot be measured (e.g. in DVB systems using PSK, APSK or QAM modulation) or there are thousands of carriers (e.g. in DVB systems using COFDM modulation);
- b) the modulated signal has a spectrum that is flat in the bandwidth and is similar to noise;
- c) the parameters that affect the quality of the received signal are related to the bit and word errors introduced by the channel (noise, amplitude and phase response inequalities, echoes, etc.) before demodulation and error correction.

#### 4.11.2 Basic assumptions and measurement interfaces

The methods of measurement for digitally modulated signals are based on the assumption that

- the MPEG-2/MPEG-4 transport stream (TS) is the specified input and output signal for all baseline systems, i.e. for satellite, cable, SMATV, MMDS/MVDS and terrestrial distribution,
- the digitally modulated signals received by satellite are modulated in the PSK/APSK formats, i.e. according to ETSI EN 300 421 and ETSI EN 302 307/V1.3.1:2012 for the various PSK/APSK formats, and can be distributed in the same format in cable systems (SMATV systems),
- the digitally modulated signals received by satellite are distributed in CATV systems in the QAM format, i.e. according to ETSI EN 300 429,
- the digitally modulated signals received from terrestrial broadcasting in the OFDM format may be distributed in SMATV systems in the same OFDM format or, in CATV systems, in DVB-C format via baseband demodulation and remodulation,
- an I/Q baseband signal source for PSK, QAM or OFDM formats is available, as described in Figure 26, Figure 27, Figure 28, Figure 29 and Figure 30. Appropriate interfaces are accessible and are consistent with the DVB-SI documents (see document ETSI TR 101 211 and ETSI EN 300 468),

NOTE 1 The null transport stream packet generator can be replaced by a pseudo-random bit sequence generator (PRBS).

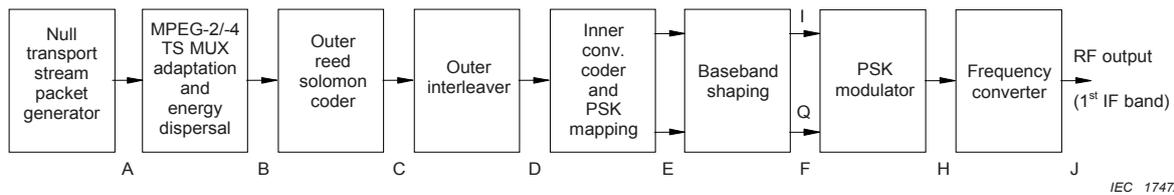


Figure 26 – PSK modulation (QPSK, BPSK or TC8PSK)

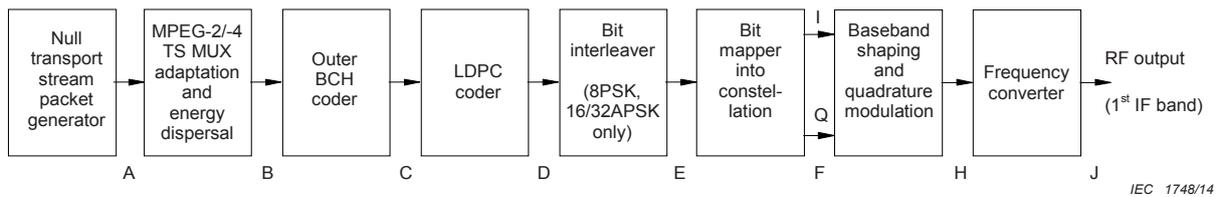


Figure 27 – DVB-S2 modulation (QPSK, 8PSK, 16APSK, 32APSK)

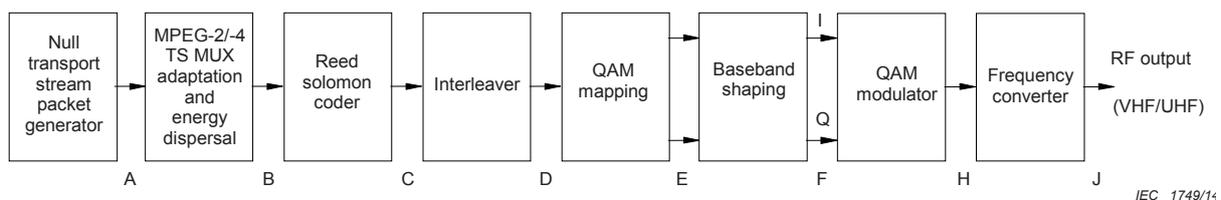


Figure 28 – DVB-C QAM modulation

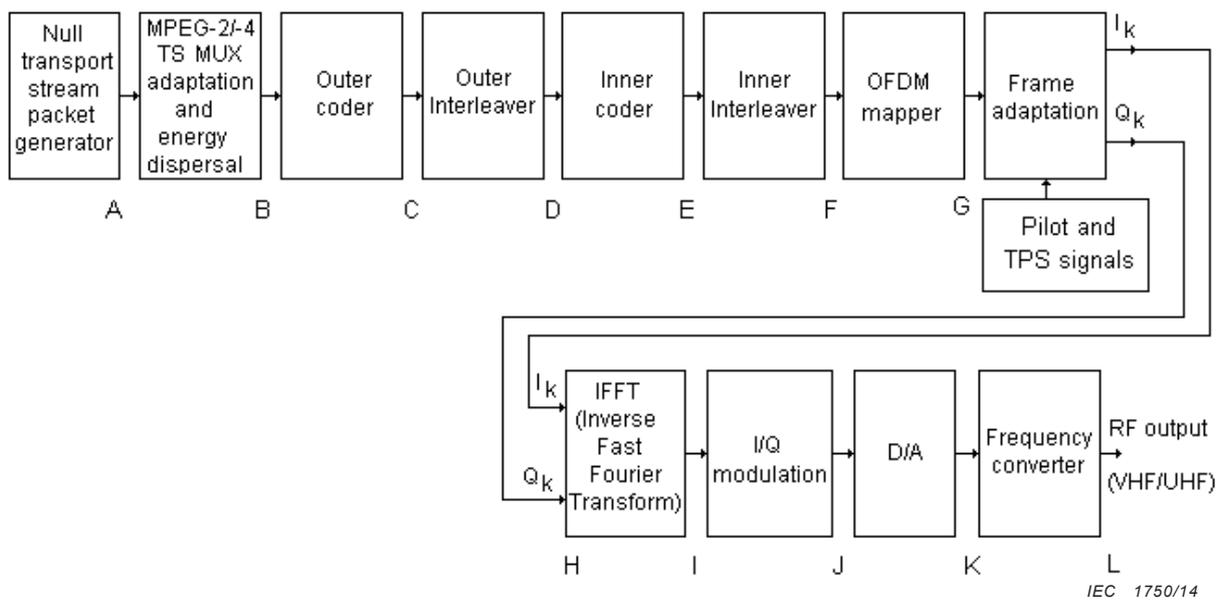


Figure 29 – DVB-T OFDM modulation

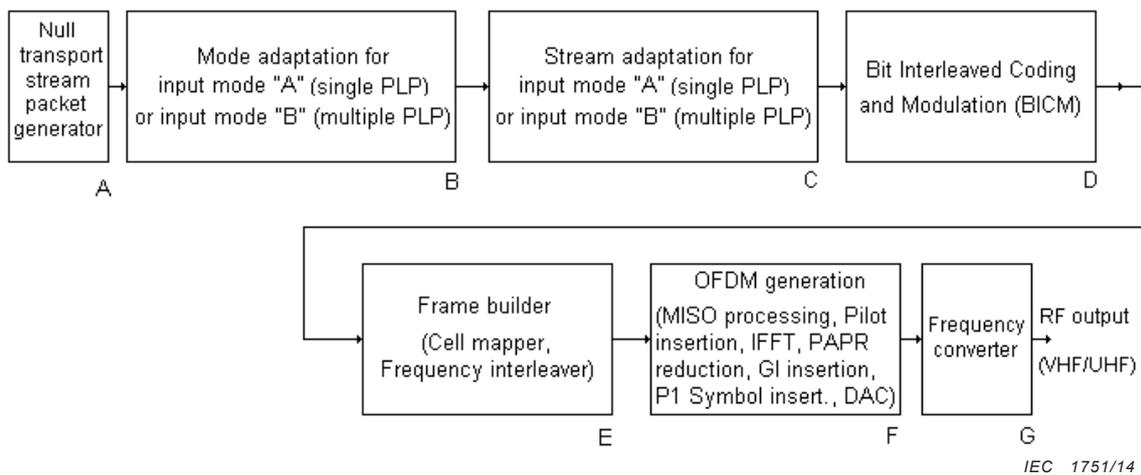
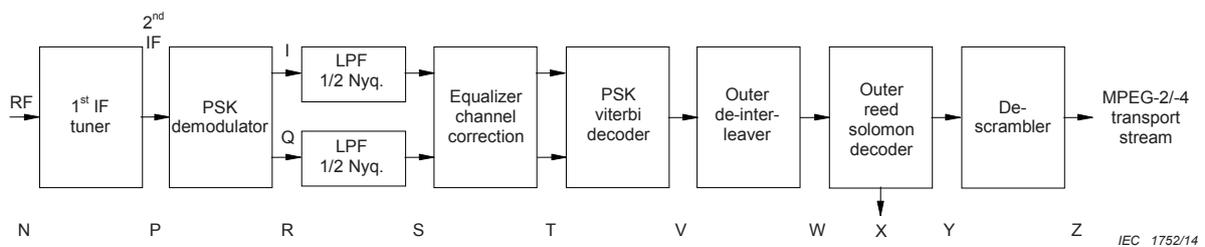


Figure 30 – DVB-T2 OFDM modulation

f) a reference receiver for PSK, APSK, QAM or OFDM formats is available as described in Figure 31, Figure 32, Figure 33, Figure 34 and Figure 35, where appropriate interfaces are indicated,



**Key**

LPF = Low pass filter

Figure 31 – Reference receiver for PSK demodulation (QPSK, BPSK or TC8PSK)

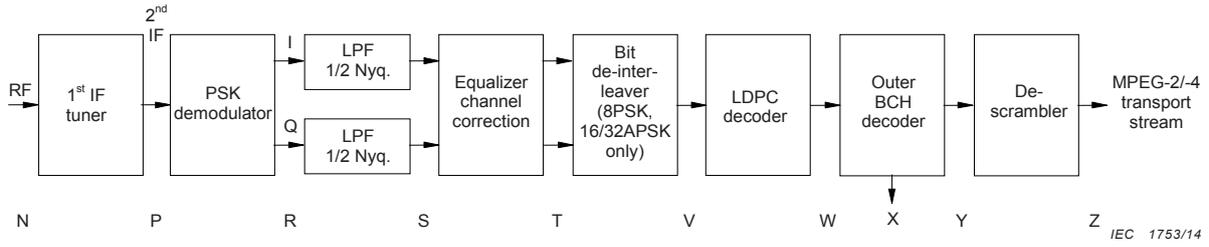


Figure 32 – Reference receiver for DVB-S2 demodulation (QPSK, 8PSK, 16APSK, 32APSK)

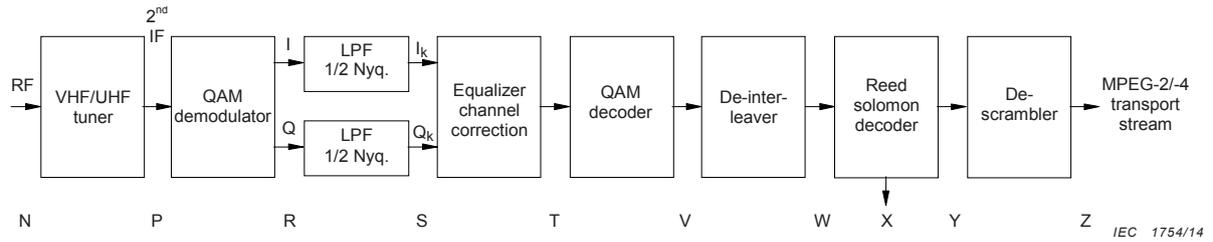
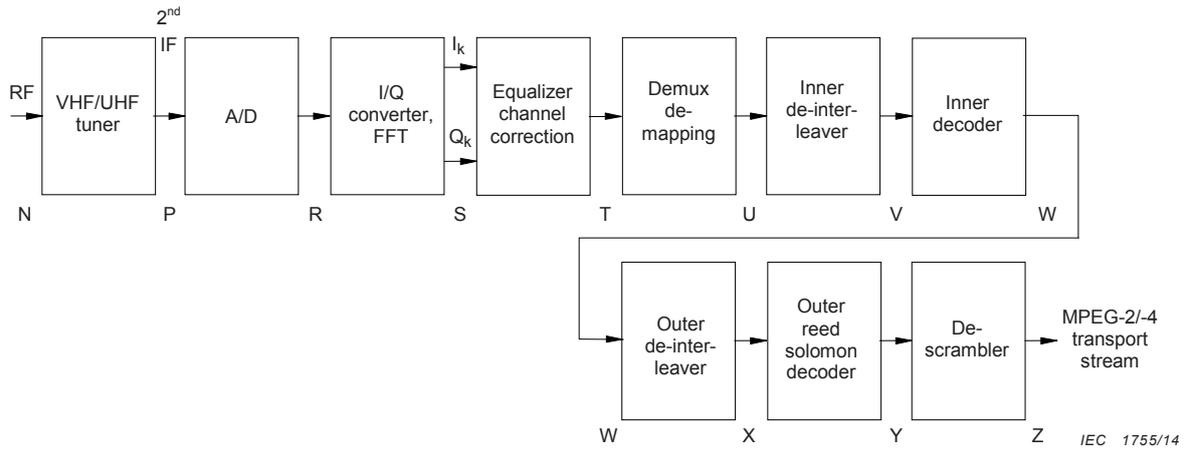


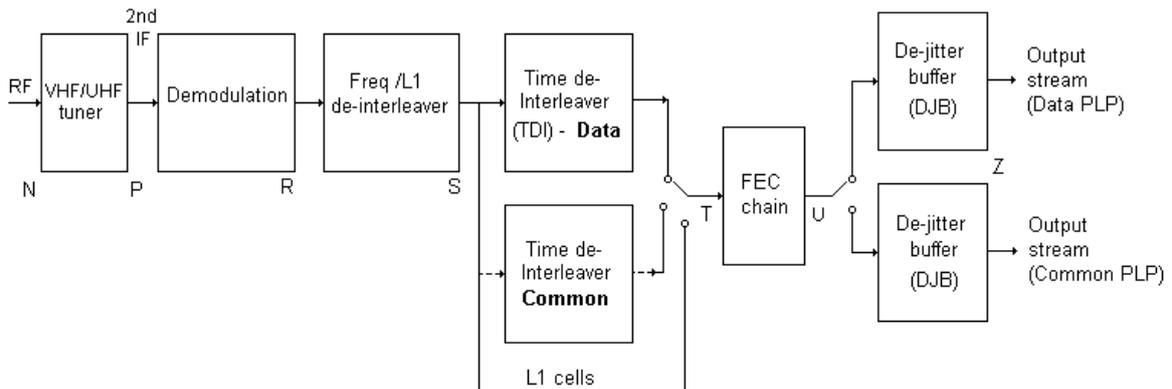
Figure 33 – Reference receiver for QAM demodulation



**Key**

A/D = Analogue-to-digital converter

Figure 34 – Reference receiver for DVB-T OFDM demodulation



IEC 1756/14

Figure 35 – Reference receiver (buffer model) for DVB-T2 OFDM demodulation

NOTE 2 The frequency range of the bands for the 1<sup>st</sup> IF and for VHF/UHF tuners depends on the frequency allocation plan of each country. Examples are given below:

1<sup>st</sup> IF: 0,95 GHz to 2,15 GHz          VHF/UHF: 47 MHz to 862 MHz (Europe)  
90 MHz to 770 MHz (Japan)

g) the decoder implementation will not affect the consistency of the results. The MPEG-2 T-STD model constraints, as defined in ISO/IEC 13818-1:2007 (MPEG-2 system), shall be satisfied as specified in ISO/IEC 13818-4 (MPEG-2 compliance testing).

### 4.11.3 Signal level for digitally modulated signals

#### 4.11.3.1 Overview

The level of a digitally modulated signal is given by the RMS power of the signal within the equivalent noise bandwidth and can be expressed in dB(mW) or in dB( $\mu$ V) referred to 75  $\Omega$ .

This measuring method applies to the measurement of the level of digitally modulated signals using PSK (ETSI EN 300 421) PSK, APSK (ETSI EN 302 307/V1.3.1:2012), QAM (ETSI EN 300 429, ETSI EN 300 473) and COFDM (ETSI EN 300 744) formats. This method of measurement can also be used for DAB and NICAM signals.

Because the modulated signal is similar in characteristics to white noise in the frequency domain, the measurement is based on the use of a suitable spectrum analyser, able to tune the frequency range of the channel and to display the whole bandwidth, to measure spectral power density. The result may be expressed in dB(mW/Hz). The signal level in dB(mW) or in dB( $\mu$ V) can be calculated if the bandwidth is known.

NOTE Also a vector signal analyser can be used or a suitable measuring set designed and calibrated for signal level measurement of digitally modulated signals.

The measurement can be performed at the system outlet, at the output of a distribution equipment (passive or active), at the output of the headend or at the output of an outdoor unit (SHF receiver) for satellite reception.

#### 4.11.3.2 Equipment required

The equipment required is a spectrum analyser having a known noise bandwidth and a calibrated display of the tuned signal. The calibration accuracy should be preferably within  $\pm 0,5$  dB and shall be stated with the results.

The equipment shall be able to tune to the nominal frequency range of the system.

#### 4.11.3.3 Connection of the equipment

Connect the measuring equipment to the system outlet or to the point where the measurement shall be performed, using suitable cable and connectors, taking care to maintain correct impedance matching.

#### 4.11.3.4 Measurement procedure

The measurement procedure consists of the following steps.

- a) When signal levels are to be measured where a high ambient electromagnetic field is present, the measuring equipment shall be checked for spurious readings. Connect a shielded termination to its input cable, place both the meter and the lead approximately in their measuring positions and check that there is a negligible reading at the frequency(ies) and on the meter ranges to be used.
- b) Tune the spectrum analyser on the channel that shall be measured (selecting the centre frequency of the spectrum analyser) and select the span and level settings to show the whole channel whose bandwidth depends on the type of modulation used. Examples of

the equivalent signal bandwidth  $BW$  for digitally modulated signals are indicated in Annex H.

- c) Set the resolution bandwidth  $RSBW$  of the spectrum analyser to 100 kHz and set the video bandwidth to 100 Hz or lower to obtain a smooth display.
- d) Measure the level  $S$  of the flat top of the displayed signal in dB( $\mu$ V) or in dB(mW) using the display line cursor if this feature is available.
  - If the spectrum of the signal does not have a flat top, due to echoes, measure the signal level at the centre frequency of the channel.
  - If the spectrum analyser has the possibility of measuring the true RMS power within the channel bandwidth directly, this measured level  $S$  should be used.
- e) Measure on the displayed channel the two frequencies at which the level is 3 dB lower than the maximum level  $S$ . The difference between these two frequencies is assumed to be the equivalent signal bandwidth  $BW$  expressed in Hz.
- f) Calculate the level  $S_{D,RF}$  of the signal using the following formula:

$$S_{D,RF} = S + 10 \lg \left[ \frac{BW}{RSBW} \right] + K_{sa}$$

where

$S_{D,RF}$  is the signal level in dB( $\mu$ V) or in dB(mW);

$S$  is the flat top signal level in dB( $\mu$ V) or in dB(mW);

$BW$  is the equivalent signal bandwidth of the channel in Hz (Annex H);

$RSBW$  is the resolution bandwidth of the spectrum analyser in Hz;

$K_{sa}$  is the correction factor of the spectrum analyser in dB.

The correction factor  $K_{sa}$  depends on the measuring equipment used and shall be provided by the manufacturer of the measuring equipment or obtained by calibration. The value of the correction factor for a typical spectrum analyser is about 1,7 dB (see Annex J).

The correction factor is not necessary if the measuring equipment can be set to display the level in dB(mW/Hz). In this case, the level  $S_{D,RF}$  of the signal can be obtained from the measured maximum level  $S$  using the following formula, where  $BW$  shall be expressed in Hz:

$$S_{D,RF} = S + 10 \lg (BW)$$

This measuring method actually measures the  $S + N$  level. The contribution of noise is considered negligible if the level of noise displayed outside the equivalent signal band is at least 15 dB lower than the maximum level displayed within the equivalent signal band. This noise level includes that of the measuring equipment (spectrum analyser) which should be at least 10 dB lower than the noise level displayed outside the channel band in order not to affect the results. Otherwise, the contribution of noise (due to the system or the equipment under test and to the measuring equipment) should be taken into account in the measurement of signal level  $S$  (see Annex G).

#### 4.11.3.5 Presentation of the results

The measured level is expressed in dB( $\mu$ V) or dB(mW) with reference to the bandwidth  $BW$  and referred to 75  $\Omega$  or in dB(mW/Hz). The accuracy of the measuring equipment shall be stated with the results.

#### 4.11.4 RF signal-to-noise ratio $S_{D,RF}/N$ for digitally modulated signals

##### 4.11.4.1 Overview

This measuring method applies to the measurement of the RF signal-to-noise ratio  $S_{D,RF}/N$  of digitally modulated signals using PSK, APSK, QAM, OFDM formats.

Because the modulated signal is similar to noise distributed in the bandwidth of the channel, the measurement is based on the use of a suitable spectrum analyser, able to tune the frequency range of the channel and to display the whole bandwidth, to measure spectral power densities of both signal and noise.

NOTE A vector signal analyser can also be used.

The measurement can be performed at the system outlet, at the output of a distribution equipment (passive or active), at the output of the headend or at the output of an outdoor unit (SHF receiver) for satellite reception.

#### 4.11.4.2 Equipment required

The equipment required is a spectrum analyser having a calibrated display of the tuned signal.

The equipment shall be able to tune the nominal frequency range of the system under test.

#### 4.11.4.3 Connection of the equipment

Connect the measuring equipment to the system outlet or to the point where the measurement shall be performed, using suitable cable and connectors, taking care to maintain correct impedance matching.

#### 4.11.4.4 Measurement procedure

The measurement procedure consists of the following steps.

- a) Tune the spectrum analyser on the channel that shall be measured (selecting the centre frequency of the spectrum analyser) and select the span and level settings to show the whole channel whose bandwidth depends on the type of modulation used. Table 6 and Annex I give examples of the equivalent signal bandwidth ( $BW$ ) for digitally modulated signals.
- b) Set the resolution bandwidth of the spectrum analyser to 100 kHz and the video bandwidth low enough to obtain a smooth display (100 Hz, if available). If a different setting is used, this shall be the same when measuring the signal level and the noise level.
- c) Measure the maximum level  $S$  of the flat top of the displayed signal in dB( $\mu$ V) or in dB(mW) using the display line cursor if this feature is available.  
If the spectrum of the signal is not flat, due to echoes, measure the signal level at the centre frequency of the channel.
- d) Switch off the channel at the input of the system or at the input of the device under test, terminating the input port with a matched impedance (or depointing the antenna, if the measurement is performed at the output of an outdoor unit for satellite reception) and measure the noise level  $N$  in the same units as the signal level (in dB( $\mu$ V) or in dB(mW) or in dB(mW/Hz)).

NOTE When switching off the input signal, all equipment with built-in AGC will show a different behaviour. In this case, the noise level is measured in-between the channels.

- e) Calculate the signal to noise ratio  $S_{D,RF} / N$  by the following formula:

$$S_{D,RF} / N = S - N$$

where

$S_{D,RF} / N$  is the signal-to-noise ratio in dB;

$S$  is the signal level in dB( $\mu$ V), in dB(mW) or in dB(mW/Hz);

$N$  is the noise level in dB( $\mu$ V), in dB(mW) or in dB(mW/Hz).

This method of measurement actually measures the ratio  $(S + N)/N$ . The measuring equipment (spectrum analyser) should have a noise level at least 10 dB lower than the noise level displayed outside the channel band in order not to affect the results. Otherwise, the contribution of the measuring equipment noise in the measurement of the noise level ( $N$ ) should be taken into account (see Clause G.2).

#### 4.11.4.5 Presentation of the results

The measured signal-to-noise ratio  $S_{D,RF}/N$  shall be expressed in dB.

### 4.11.5 Bit error ratio (BER)

#### 4.11.5.1 Overview

This method of measurement applies to the measurement of bit error ratio (BER) of digitally modulated signals using PSK, APSK, QAM, OFDM formats. BER is the primary parameter, which describes the quality of the digital transmission link.

The bit error ratio is defined as the ratio between erroneous bits and the total number of transmitted bits.

For OFDM formats (DVB-T/T2) the BER measurement can be done on data or pilots. The measurement condition should be stated with the results.

If BER before Reed Solomon is ranging from  $10^{-2}$  to  $10^{-4}$  (or before BCH from  $10^{-4}$  to  $10^{-6}$ ) the measurement can be carried out in a reasonable amount of time. Above a BER of  $10^{-2}$ , the result is assumed to be inaccurate.

The measurement is performed at the system outlet of a cable network or at other points of interest in the system.

NOTE For in-service measurement of BER, see ETSI TR 101 290.

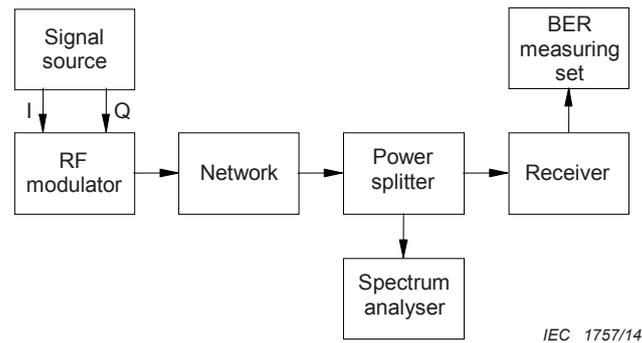
#### 4.11.5.2 Equipment required

The equipment required is listed below.

- a) Reference receiver (Figure 31, Figure 32, Figure 33, Figure 34 and Figure 35) with good equaliser (influence of linear distortion of the cable network to the BER measurement should be negligible).
- b) BER counter connected at the appropriate interface of the reference receiver (e.g. interface V of Figure 31, Figure 32, Figure 33 or interface U of Figure 34), depending where BER shall be evaluated. If it is connected after the Reed-Solomon or BCH decoder, decoding should be deactivated in order to reduce the duration of the measurement.

#### 4.11.5.3 Connection of the equipment

The measuring set-up for BER measurement is shown in Figure 36. The measuring equipment shall be connected taking care to maintain correct impedance matching and suitable cables and connectors.



**Figure 36 – Test set-up for BER measurement**

#### 4.11.5.4 Measurement procedure

The measurement procedure consists of the following steps.

- a) Tune the receiver on the channel to be tested.
- b) Measure the BER counting the error bits for a sufficiently long time to count at least 100 error bits and refer this number to the total number of transmitted bits in that time.

#### 4.11.5.5 Presentation of the results

The measured BER is indicated with reference to the channel tuned. The point where the measurement of BER has been performed shall be indicated with the results.

#### 4.11.6 BER versus $E_b/N_0$ or $C/N$

##### 4.11.6.1 Overview

This measuring method applies to the measurement of bit error ratio (BER) of digitally modulated signals using PSK, APSK, QAM, OFDM formats. The measurement of  $BER$  versus  $E_b/N_0$  or  $C/N$  enables a graph to be drawn which shows the implementation loss of the system over a range of bit error ratios. The residual  $BER$  at high  $E_b/N_0$  or  $C/N$  values is an indicator of possible network problems. The  $BER$  range of interest is  $10^{-7}$  to  $10^{-3}$ .

The measurement is performed at the system outlet of a cable network, while the modulated signal with the appropriate format is applied at the input of the headend or at the input of the network, depending which part of the system is to be measured.

The headend can include modulation converters (from PSK to QAM format).

The measured values of  $C/N$  are equivalent to the  $S_{D,RF}/N$  values, to which are applicable the performance requirements given in 5.8.

NOTE This measuring method can be performed under out of service conditions.

##### 4.11.6.2 Equipment required

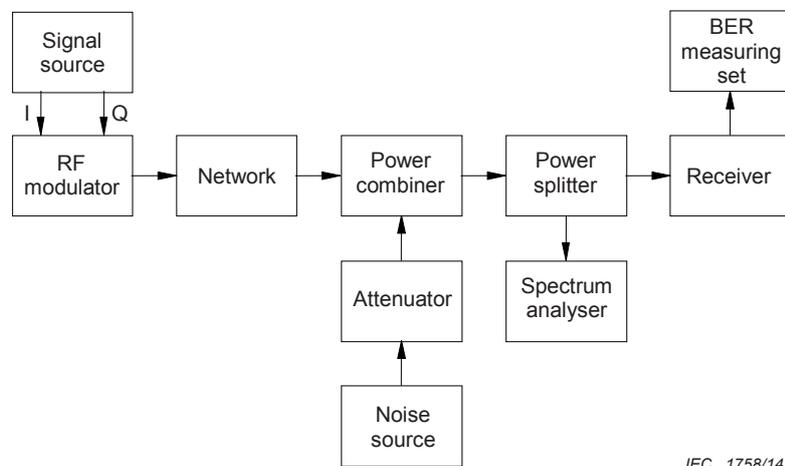
The equipment required is listed below:

- a) I/Q baseband signal source for PSK, APSK, QAM, OFDM modulation format (Figure 26, Figure 27, Figure 28, Figure 29 and Figure 30);
- b) RF modulator for PSK, APSK, QAM, OFDM modulation format (Figure 31, Figure 32, Figure 33, Figure 34 and Figure 35);
- c) noise source;
- d) adjustable attenuator;

- e) power combiner;
- f) power splitter;
- g) spectrum analyser able to tune the nominal frequency range of the system;
- h) reference receiver (Figure 31, Figure 32, Figure 33, Figure 34 and Figure 35) with good equaliser (influence of linear distortion of the cable network to the BER measurement should be negligible);
- i) BER counter connected at the appropriate interface of the reference receiver (e.g. interface V of Figure 31, Figure 32, Figure 33 or interface U of Figure 34), depending where *BER* shall be evaluated. If it is connected after the Reed-Solomon or BCH decoder, decoding should be deactivated in order to reduce the duration of the measurement.

#### 4.11.6.3 Connection of the equipment

The measuring set-up for *BER* versus  $E_b/N_0$  or *C/N* measurement is shown in Figure 37.



**Figure 37 – Test set-up for BER measurement versus  $E_b/N_0$  or *C/N* and noise margin measurement**

The measuring equipment shall be connected taking care to maintain correct impedance matching and using suitable cables and connectors.

#### 4.11.6.4 Measurement procedure

The measurement procedure consists of the following steps.

- a) Set the signal source (base band) to generate a sequence defined as the null transport stream packet in ISO/IEC 13818-1:2007 with all bytes set to 0x00 (see Annex H). A sequence of four bytes followed by a PRBS can also be used.

NOTE 1 The null transport stream packet is defined as the four-byte sequence 0x47, 0x1F, 0xFF, 0x10, followed by 184 zero bytes (0x00). This sequence is also available as an encoding system option.

- b) Apply the signal source I and Q channels at the input of the RF modulator to obtain the desired PSK, APSK, QAM, or OFDM modulation format.
- c) Set the carrier frequency of the RF modulator to that of the channel where the measurement shall be performed.
- d) Adjust the output carrier level of the RF modulator to obtain the same level at the system outlet as in normal operating conditions, so that non-linear distortions (i.e. CSO, CTB) have no impact on BER measurement.

- e) Tune the receiver and the spectrum analyser on the same channel. Select the centre frequency of the spectrum analyser, as well as the span and level settings to show the whole channel.
- f) Set the resolution bandwidth  $RSBW$  of the spectrum analyser to 100 kHz and the video bandwidth to 100 Hz or lower to obtain a smooth display.
- g) With the noise generator switched-off, measure the  $BER$  at the receiver output.
- h) Switch-off the modulation and measure the carrier level  $C$  in dB( $\mu$ V) or in dB(mW).

NOTE 2 In the case of QAM modulated signals, the carrier level  $C$  is assumed to be that measured according to 4.11.3, because the carrier level upon switching off the modulation does not coincide with the carrier peak level.

- i) Measure the noise level  $N$  beside the carrier ( $\Delta f \geq 0,5$  MHz) in the same units as the carrier level (in dB( $\mu$ V) or in dB(mW)).

NOTE 3 Pay attention to the amplitude response of the noise spectrum within the channel. If it is not white Gaussian spectrum (flat amplitude response), do not measure at maximum or minimum frequency points, but at the frequency points where the noise energy reaches its average.

- j) Calculate the carrier-to-noise ratio  $C/N$  by the following formula:

$$C/N = C - N - 10 \lg (BW/RSBW) - K_{sa} \quad \text{dB}$$

where

$C/N$  is the carrier-to-noise ratio in dB;

$C$  is the carrier level in dB( $\mu$ V) or in dB(mW);

$N$  is the noise level in dB( $\mu$ V) or in dB(mW);

$BW$  is the equivalent signal bandwidth of the channel in Hz (Annex I);

$RSBW$  is the resolution bandwidth of the spectrum analyser in Hz;

$K_{sa}$  is the correction factor of the spectrum analyser in dB.

The correction factor  $K_{sa}$  depends on the measuring equipment used and shall be provided by the manufacturer of the measuring equipment or obtained by calibration. The value of the correction factor for a typical spectrum analyser is about 1,7 dB (see Annex J).

The correction factor is not necessary if the measuring equipment can be set to display the noise level in dB(mW/Hz). In this case, the  $C/N$  ratio can be obtained from the following formula:

$$C/N = C - N - 10 \lg (BW) \quad \text{dB}$$

- k) Calculate the  $E_b/N_0$  from the following formula:

$$E_b/N_0 = C/N + 10 \lg(BW_{\text{Noise}}) - 10 \lg(f_s) - 10 \lg m \quad \text{dB}$$

where

$BW_{\text{Noise}}$  is the noise bandwidth of the channel in MHz (Annex I);

$f_s$  is the symbol rate in MSPS (MegaSymbol/s);

$m$  is the number of bits per symbol

- $m = 1$  for BPSK,
- $m = 2$  for QPSK and TC8PSK,
- $m = 4$  for 16 QAM and 16APSK,
- $m = 5$  for 32APSK,
- $m = 6$  for 64 QAM,
- $m = 8$  for 256 QAM

modulating the carrier (PSK, APSK or QAM,) or each pilot carrier (OFDM).

- l) Switch on the modulation and the noise generator, add noise changing the attenuator setting and measure again the *BER* at the receiver output and the  $E_b/N_0$  at the input of the receiver. Repeat this step several times to obtain the plot of *BER* versus  $E_b/N_0$ .

NOTE 1 When measuring a QAM modulated signal, the  $E_b/N_0$  value referred to the net bit rate can be calculated using the RS rate, i.e. using the following conversion factor for RS (204, 188) code:

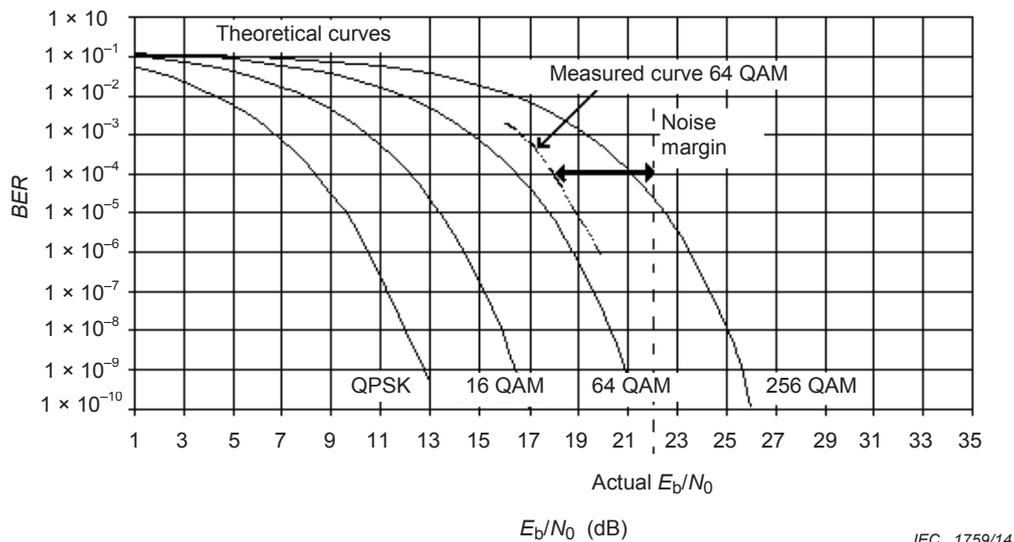
$$10 \lg (204/188) = +0,35 \text{ dB}$$

NOTE 2 When measuring a PSK or an OFDM modulated signal, the  $E_b/N_0$  value referred to the net bit rate value can be calculated taking into account both the inner code rate and the RS rate. If the inner code rate is  $\frac{3}{4}$ , the conversion factor can be calculated as follows:

$$10 \lg (4/3)(204/188) = +1,6 \text{ dB}$$

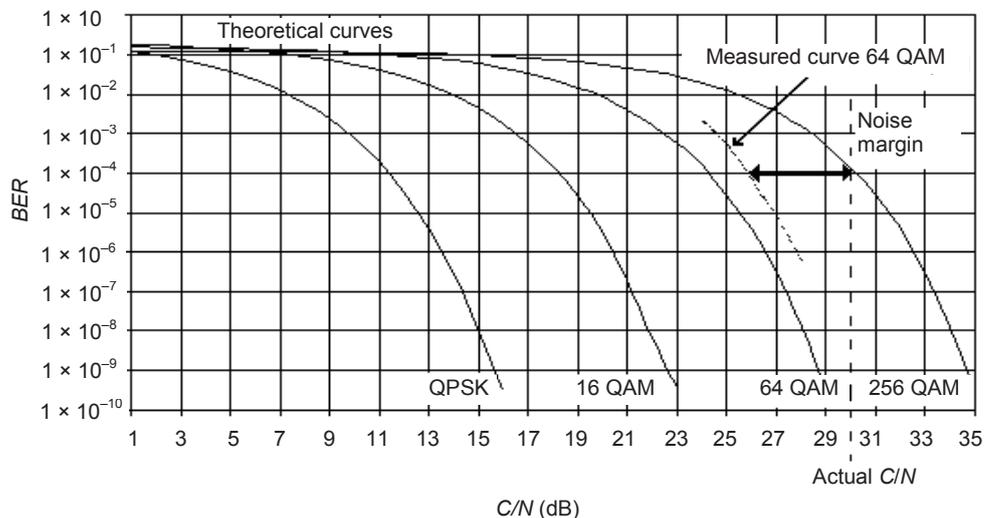
#### 4.11.6.5 Presentation of the results

The measured *BER* is plotted versus  $E_b/N_0$  (dB) or *C/N* (dB). An example of measurement of *BER* versus  $E_b/N_0$  is shown in Figure 38 and versus *C/N* in Figure 39. The interface point where the measurement of *BER* has been performed shall be indicated with the results.



IEC 1759/14

Figure 38 – Example of *BER* measurement versus  $E_b/N_0$



IEC 1760/14

Figure 39 – Example of *BER* measurement versus *C/N*

#### 4.11.7 Noise margin

##### 4.11.7.1 Overview

This measuring method applies to the measurement of noise margin of digitally modulated signals using PSK, APSK, QAM or OFDM formats.

The purpose of this measuring method is to provide an indication of the reliability of the transmission channel. The noise margin measurement is a more useful measure of system operating margin than a direct BER (bit error ratio) measurement due to the steepness of the *BER* curve versus  $E_b/N_0$  ratio.

The measurement is performed at the system outlet of a cable network, while the modulated signal with the appropriate format is applied at the input of the headend or at the input of the network, depending which part of the system is to be measured.

The headend can include modulation converters (from PSK or OFDM to QAM format).

NOTE This measuring method can be performed under out-of-service conditions.

##### 4.11.7.2 Equipment required

The equipment required is listed below:

- a) I/Q baseband signal source for PSK, APSK, QAM or OFDM modulation format (Figure 26, Figure 27, Figure 28, Figure 29 and Figure 30);
- b) RF modulator for PSK, APSK, QAM or OFDM modulation format (Figure 26, Figure 27, Figure 28, Figure 29 and Figure 30);
- c) noise source;
- d) adjustable attenuator;
- e) power combiner;
- f) power splitter;
- g) spectrum analyser able to tune the nominal frequency range of the system;
- h) reference receiver (Figure 31, Figure 32, Figure 33, Figure 34 and Figure 35) with good equaliser (influence of linear distortion of the cable network to the BER measurement should be negligible);
- i) BER counter connected at the appropriate interface of the reference receiver (e.g. interface V of Figure 31, Figure 32, Figure 33 or interface U of Figure 34), depending where BER shall be evaluated. If it is connected after the Reed-Solomon or BCH decoder, decoding should be deactivated in order to reduce the duration of the measurement.

##### 4.11.7.3 Connection of the equipment

The measuring set-up for the noise margin measurement is the same as that for the measurement of *BER* versus  $E_b/N_0$  and is shown in Figure 37.

The measuring equipment shall be connected taking care to maintain correct impedance matching and using suitable cables and connectors.

##### 4.11.7.4 Measurement procedure

The measurement procedure consists of the following steps.

- a) Set the signal source (base band) to generate a sequence defined as the null transport stream packet in ISO/IEC 13818-1:2007 with all bytes set to 0x00 (see Annex H). A sequence of four bytes followed by a PRBS can also be used.

NOTE 1 The null transport stream packet is defined as the four-byte sequence 0x47, 0x1F, 0xFF, 0x10, followed by 184 zero bytes (0x00). This sequence can be available as an encoding system option.

- b) Apply the signal source I and Q channels at the modulator to obtain the desired PSK, APSK, QAM or OFDM modulation format.
- c) Set the carrier frequency of the RF modulator to that of the channel where the measurement shall be performed.
- d) Adjust the output carrier level of the RF modulator to obtain the same level at the system outlet as in normal operating conditions, so that non-linear distortions (i.e. CSO, CTB) have no impact to BER measurement.
- e) Tune the receiver and the spectrum analyser to the same channel. Select the centre frequency of the spectrum analyser, the span and level settings to show the whole channel.
- f) Add noise to the modulated signal at the cable network output until  $BER$  is  $10^{-4}$ .
- g) Switch-off the modulation and measure the noise level  $N_1$  (dB(mW)) beside the carrier ( $\Delta f \geq 0,5$  MHz).

NOTE 2 Pay attention to the amplitude response of the noise spectrum within the channel. If it is not white noise spectrum (flat amplitude response), do not measure at maximum or minimum frequency points, but at the frequency points where the energy of noise reaches its average.

- h) Switch-off the noise source and measure the noise level  $N_2$  (dB(mW)) beside the carrier.
- i) Calculate the noise margin  $NM$  by the following formula:

$$NM = N_1 - N_2 \quad \text{in dB.}$$

#### 4.11.7.5 Presentation of the results

The measured noise margin shall be expressed in dB. An example of measurement of noise margin is shown in Figure 38 where  $BER$  versus  $E_b/N_0$  is plotted. A second example of measurement of noise margin is shown in Figure 39 where  $BER$  versus  $C/N$  is plotted. The interface point where the measurement of  $BER$  has been performed shall be indicated with the results.

#### 4.11.8 Modulation error ratio (MER)

##### 4.11.8.1 Overview

This measuring method is able to provide a single figure-of-merit analysis of the received signal. This figure is computed to include the total signal degradation likely to be present at the input of a commercial receiver's decision circuits and so give an indication of the ability of that receiver to correctly decode the signal.

The measurement is performed at the system outlet of a cable network, while the modulated signal with the appropriate format is applied at the input of the headend or at the downstream input of the network, depending which part of the system is to be measured.

The headend can include modulation converters (from PSK or OFDM to QAM format).

NOTE This measuring method can be performed under out-of-service conditions.

##### 4.11.8.2 Equipment required

The equipment required is listed below:

- a) I/Q baseband signal source for PSK, APSK or QAM modulation format (Figure 26, Figure 27, Figure 28, Figure 29 and Figure 30);
- b) RF modulator for PSK, APSK or QAM modulation format (Figure 26, Figure 27, Figure 28, Figure 29 and Figure 30);

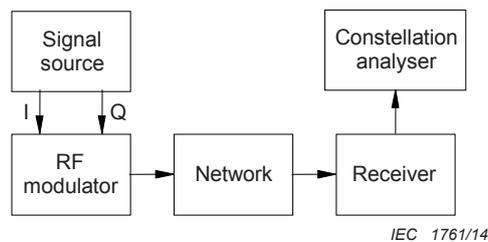
reference receiver (**Key**)

LPF = Low pass filter

- c) Figure 31, Figure 32, Figure 33, Figure 34 and Figure 35);  
d) constellation analyser.

#### 4.11.8.3 Connection of the equipment

The measuring set-up for the modulation error ratio (MER) measurement is shown in Figure 40.



**Figure 40 – Test set-up for modulation error ratio (MER) measurement and phase jitter measurement**

The measuring equipment shall be connected taking care to maintain correct impedance matching.

#### 4.11.8.4 Measurement procedure

The measurement procedure consists of the following steps.

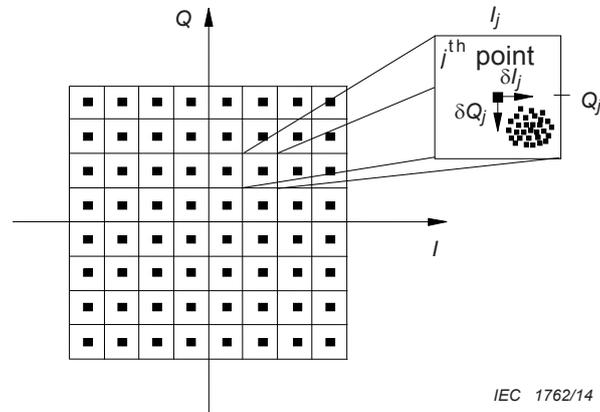
- a) Set the signal source (base band) to generate a sequence defined as the null transport stream packet in ISO/IEC 13818-1:2007 with all bytes set to 0x00 (see Annex H). A sequence of four bytes followed by a PRBS can also be used.

NOTE The null transport stream packet is defined as the four-byte sequence 0x47, 0x1F, 0xFF, 0x10, followed by 184 zero bytes (0x00). This sequence can be available as an encoding system option.

- b) Apply the signal source *I* and *Q* channels at the input of the modulator to obtain the desired PSK, APSK or QAM modulation format.
- c) Set the carrier frequency of the RF modulator to that of the channel where the measurement shall be performed.
- d) Adjust the output carrier level of the RF modulator to obtain the same level at the system outlet as in normal operating conditions.
- e) Tune the receiver to the channel where the measurement shall be performed. The measurement of the modulation error ratio does not assume the use of an equaliser. However, the measuring receiver may include a commercial quality equaliser to give more accurate results when the signal at the measurement point has linear impairments.
- f) Connect the constellation analyser to the appropriate interface of the reference receiver (e.g. interface S or T of Figure 31, Figure 32, Figure 33 and Figure 34). If the constellation analyser has its own tuner, the use of the reference receiver can be avoided.
- g) The carrier frequency and symbol timing are recovered, which removes frequency error and phase rotation. Origin offset (for example, caused by a residual carrier or DC offset), quadrature error and amplitude imbalance are not corrected.
- h) A time record of *N* received symbol coordinate pairs ( $I_j, Q_j$ ) is captured by the constellation analyser. *N* shall be significantly larger than the *M* symbol points.
- i) For each received symbol a decision is made as to which symbol was transmitted. The error vector is defined as the distance from the ideal position of the chosen symbol (the centre of the decision box) to the actual position of the received symbol.

j) The distance can be expressed as a vector  $(\delta I_j, \delta Q_j)$ .

An example of representation of the constellation diagram for a 64 QAM modulation format and the distance  $(\delta I_j, \delta Q_j)$  for each of the  $N$  received symbols in the  $j^{\text{th}}$  point from the ideal position  $(I_j, Q_j)$  is shown in Figure 41.



NOTE The  $j^{\text{th}}$  point has been enlarged to show the coordinates of the symbol error vector.

**Figure 41 – Example of constellation diagram for a 64 QAM modulation format**

The sum of the squares of the magnitudes of the ideal symbol vectors is divided by the sum of the squares of the magnitude of the symbol error vectors. The result, expressed as a power ratio in dB, is defined as the modulation error ratio (*MER*).

$$MER = 10 \lg \left\{ \frac{\sum_{j=1}^N (I_j^2 + Q_j^2)}{\sum_{j=1}^N (\delta I_j^2 + \delta Q_j^2)} \right\} \text{ in dB}$$

Before starting the measurement, check the modulator performance, connecting the receiver with the constellation analyser at the output of the signal generator modulated by the digital source. The displayed constellation diagram is assumed as the reference position for the measurement.

#### 4.11.8.5 Presentation of the results

The measured modulation error ratio (*MER*) shall be expressed in dB. The interface of the receiver where the measurement has been performed shall be stated with the results.

#### 4.11.9 Phase jitter

##### 4.11.9.1 Overview

This measuring method is able to provide an indication of the phase or frequency fluctuations of an oscillator used in an equipment of the cable network (i.e., in a frequency converter). Using such an oscillator with digitally modulated signals may result in a sampling uncertainty in the receiver, because the carrier regeneration cannot follow the phase fluctuations.

The measurement is performed at the system outlet of a cable network, while the modulated signal with the appropriate format is applied at the input of the headend or at the downstream input of the network, depending which part of the system is to be measured.

The headend can include modulation converters (from PSK, APSK or OFDM to QAM format).

NOTE This measuring method can be performed under out-of-service conditions.

#### 4.11.9.2 Equipment required

The equipment required is listed below:

- a) I/Q baseband signal source for PSK, APSK or QAM modulation format (Figure 26, Figure 27, Figure 28, Figure 29 and Figure 30);
- b) RF modulator for PSK, APSK or QAM modulation format (Figure 26, Figure 27, Figure 28, Figure 29 and Figure 30);

reference receiver (**Key**

LPF = Low pass filter

- c) Figure 31, Figure 32, Figure 33, Figure 34 and Figure 35);
- d) constellation analyser.

#### 4.11.9.3 Connection of the equipment

The measuring set-up for the phase jitter measurement is shown in Figure 40.

The measuring equipment shall be connected taking care to maintain correct impedance matching and using suitable cables and connectors.

#### 4.11.9.4 Measurement procedure

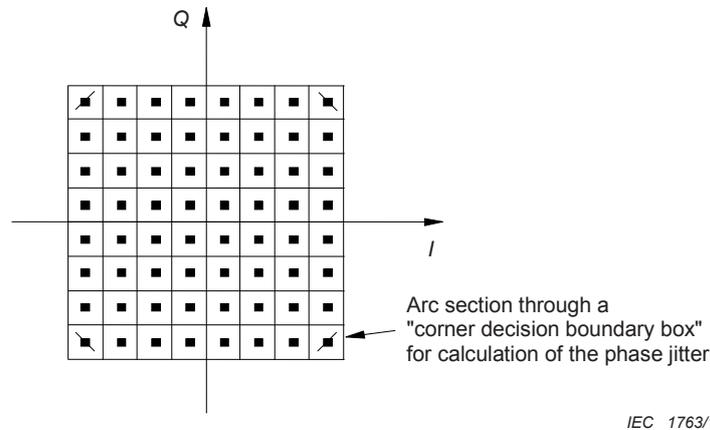
The measurement procedure consists of the following steps.

- a) Set the signal source (base band) to generate a sequence defined as the null transport stream packet in ISO/IEC 13818-1:2007 with all bytes set to 0x00 (see Annex H). A sequence of four bytes followed by a PRBS can also be used.

NOTE The null transport stream packet is defined as the four-byte sequence 0x47, 0x1F, 0xFF, 0x10, followed by 184 zero bytes (0x00). This sequence can be available as an encoding system option.

- b) Apply the signal source I and Q channels at the input of the modulator to obtain the desired PSK, APSK or QAM modulation format.
- c) Set the carrier frequency of the RF modulator to that of the channel where the measurement shall be performed.
- d) Adjust the output carrier level of the RF modulator to obtain the same level at the system outlet as in normal operating conditions.
- e) Tune the receiver to the channel where the measurement shall be performed. The measurement of the phase jitter does not assume the use of an equaliser. However, the measuring receiver may include a commercial quality equaliser to give more accurate results when the signal at the measurement point has linear impairments.
- f) Connect the constellation analyser to the appropriate interface of the reference receiver (e.g. interface V of Figure 31, Figure 32, Figure 33 or interface U of Figure 34). If the constellation analyser has its own tuner, the use of the reference receiver can be avoided.
- g) The carrier frequency and symbol timing are recovered, which removes frequency error and phase rotation but not phase jitter. Origin offset (for example, caused by residual carrier or DC offset), quadrature error and amplitude imbalance are not corrected.
- h) A time record of  $N$  received symbol coordinate pairs  $(I_j, Q_j)$  is captured by the constellation analyser.  $N$  shall be significantly larger than the  $M$  symbol points.

- i) The signal points affected by phase jitter are arranged along a curved line crossing the centre of each decision boundary box, as shown in Figure 42 for the four "corner decision boundary boxes".



**Figure 42 – Example of constellation diagram for a 64 QAM modulation format with arc sections due to phase jitter**

- j) The phase jitter can be calculated using the following procedure. For each received symbol
- calculate the angle between the  $I$ -axis of the constellation diagram and the vector to the received symbol ( $I_{rcvd}$ ,  $Q_{rcvd}$ ):

$$\phi_1 = \arctan (Q_{rcvd}/I_{rcvd})$$

- calculate the angle between the  $I$ -axis of the constellation diagram and the vector to the corresponding ideal symbol ( $I_{ideal}$ ,  $Q_{ideal}$ ):

$$\phi_2 = \arctan (Q_{ideal}/I_{ideal})$$

- calculate the error angle:

$$\phi_E = \phi_1 - \phi_2$$

From these  $N$  error angles, calculate the RMS value  $PJ$  of the phase jitter:

$$PJ = \sqrt{(1/N) \sum_{j=1}^N \phi_{Ej}^2 - (1/N^2) \left( \sum_{j=1}^N \phi_{Ej} \right)^2}$$

Before starting the measurement, check the modulator performance, connecting the receiver with the constellation analyser at the output of the signal generator modulated by the digital source. Note the constellation diagram displayed and use it as the reference position for the measurement.

#### 4.11.9.5 Presentation of the results

The measured phase jitter shall be expressed in degrees. The interface of the receiver where the measurement has been performed shall be stated with the results.

#### 4.11.10 Phase noise of an RF carrier

##### 4.11.10.1 Overview

This measuring method is able to provide an indication of the phase noise of a carrier due to the phase or frequency fluctuations of an oscillator used in an equipment of the cable network (e.g., in a frequency converter).

For PSK, APSK or QAM modulation formats, using such an oscillator with digitally modulated signals may result in a sampling uncertainty in the receiver, because the carrier regeneration cannot follow the phase fluctuations. Phase noise outside the loop bandwidth of the carrier recovery circuit leads to a circular smearing of the constellation points in the I/Q plane. This reduces the operating margin (noise margin) of the system and may directly increase the *BER*.

In an OFDM system, the phase noise can cause common phase error (CPE), which affects all carriers simultaneously, and which can be corrected by using continual pilots, and inter-carrier interference (ICI) which is noise that cannot be corrected.

The effects of CPE are similar to any single carrier system and the phase noise, outside the loop bandwidth of the carrier recovery circuit, leads to a circular smearing of the constellation points in the I/Q plane. This reduces the operating margin (noise margin) of the system and may directly increase the *BER*.

The effects of ICI are peculiar to OFDM and cannot be corrected. This has to be taken into account as part of the total noise of the system.

The measurement is performed at the system outlet of a cable network, while an unmodulated carrier is applied at the input of the headend or at the downstream input of the network, depending which part of the system is to be measured.

The headend can include modulation converters (from PSK, APSK to QAM format).

NOTE This measuring method can be performed under out-of-service conditions.

##### 4.11.10.2 Equipment required

The equipment required is listed below:

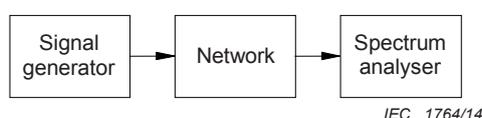
- a) RF signal generator for the frequency bands of input signals at the headend or at the network;

The phase noise characteristic of the signal generator should be sufficiently lower (at least 10 dB) than that to be measured. If it is not known, a preliminary check should be performed.

- b) spectrum analyser able to tune the nominal frequency range of the system.

##### 4.11.10.3 Connection of the equipment

The measuring set-up for the phase noise measurement is shown in Figure 43.



IEC 1764/14

**Figure 43 – Test set-up for phase noise measurement**

The measuring equipment shall be connected taking care to maintain correct impedance matching and using suitable cables and connectors.

#### 4.11.10.4 Measurement procedure

The measurement procedure consists of the following steps.

- a) Set the carrier frequency of the RF signal generator to that of the channel where the measurement shall be performed.
- b) Adjust the carrier level of the RF signal generator to obtain the same level at the system outlet as in normal operating conditions.
- c) Tune the spectrum analyser on the same channel. Select the centre frequency of the spectrum analyser, the span and level settings to show the carrier and its sidebands due to the phase noise.
- d) Set the resolution bandwidth  $RSBW$  of the spectrum analyser to 300 Hz and the video bandwidth to 30 Hz or 10 Hz.
- e) Measure the unmodulated carrier level  $C$  in dB(mW).
- f) Measure the level  $PN(f_m)$  in dB(mW) of each component in one noise sideband and note its frequency  $f_m$ .
- g) Convert the measured value of  $PN$  to one hertz bandwidth, using the following formula:

$$PN_0(f_m) = PN(f_m) - 10 \lg RSBW + K_{sa}$$

where

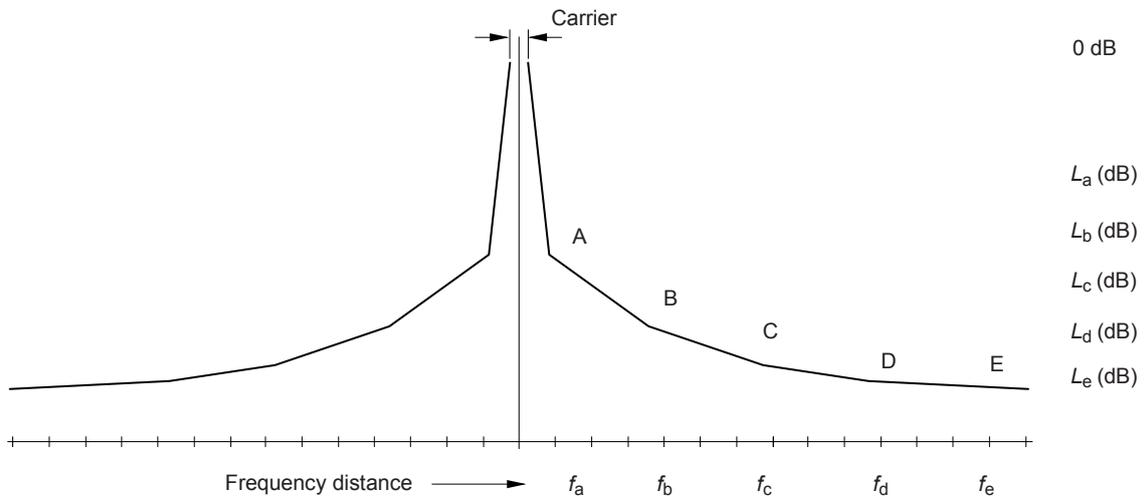
- $RSBW$  is the resolution bandwidth of the spectrum analyser;
  - the correction factor ( $K_{sa}$ ) depends on the measuring equipment used and shall be provided by the manufacturer of the measuring equipment or obtained by calibration. The value of the correction factor for a typical spectrum analyser is about 1,7 dB (see Annex J);
  - the correction factor is not necessary if the measuring equipment can be set to display the noise level in dB(mW/Hz). In this case, the  $PN_0(f_m)$  value is obtained directly.
- h) Calculate the phase noise performance of the carrier, defined as the ratio of the measured power in one sideband component, on a per hertz bandwidth spectral density basis, to the total signal power:

$$\alpha(f_m) = PN_0(f_m) - C \quad \text{in dB(Hz}^{-1}\text{)}$$

NOTE For this measurement, it is assumed that contributions from amplitude modulation to the noise spectrum are negligible compared to those from frequency modulation and that the measurement bandwidth ( $RSBW$ ) is much smaller than  $f_m$ .

#### 4.11.10.5 Presentation of the results

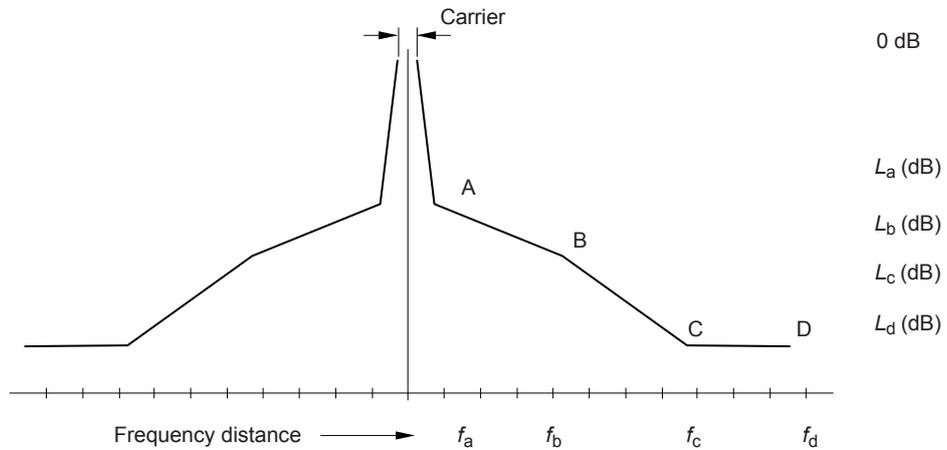
The measured phase noise  $PN_0$ , expressed in dB(Hz<sup>-1</sup>), shall be plotted versus the frequency distance  $f_m$  away from the carrier as indicated in Table 3. An example of measurement results of the level  $L$  of phase noise is given in Figure 44 and Figure 45.



IEC 1765/14

All values are in decibel (dB).

**Figure 44 – Example of mask for phase noise measurements: PSK, APSK and QAM formats**



IEC 1766/14

All values are in decibel (dB).

**Figure 45 – Example of mask for phase noise measurements: OFDM format**

**Table 3 – Frequency distance  $f_m$**

Modulation format	$f_a$	$f_b$	$f_c$	$f_d$	$f_e$
PSK, APSK/QAM	100 Hz	1 kHz	10 kHz	100 kHz	1 000 kHz
OFDM (2 k and 8 k systems)	1 kHz	10 kHz	100 kHz	1 000 kHz	–

## 5 Performance requirements at system outlet

### 5.1 General

This clause defines system performance limits which will, with an unimpaired input to the headend or headends, produce picture and sound signals at any system outlet where the impairment to any single parameter will be not worse in normal operating conditions for any channel than grade four on the five-grade impairment scale contained in ITU-R Recommendation BT.500-11, as given below:

- 5 – imperceptible;
- 4 – perceptible, but not annoying;
- 3 – slightly annoying;
- 2 – annoying;
- 1 – very annoying.

The system parameters specified are mainly related to analogue frequency division multiplexed FDM signals. When different techniques are used, the overall quality requirements should be met. A supplement with relevant new parameters will be issued later.

The performance limits set out in this clause apply when the methods of measurement given in Clause 4 are employed, and, where appropriate, in the presence of all the signals for which the system was designed. The performance limits shall be met for those specified conditions of temperature, humidity, mains supply voltage and frequency, which apply to the location in which the system is situated.

If a higher grade than 4 is desired, the figures quoted in this clause should be modified accordingly. For instance for grade 4,5, the figures quoted in 5.8 and 5.9 should be increased by 3 dB and the echo rating in 5.10.2 should be reduced to 3 %.

NOTE Performance requirements that are frequency-dependent are specified up to 2 150 MHz. Requirements for the frequency range 2 150 MHz to 3 000 MHz are under consideration.

For digital signals, the system performance limits ensure a service that is quasi-free of interruption, corresponding to a bit error ratio, before Reed-Solomon error correction, of  $10^{-4}$  in a DVB signal.

When measuring the system parameters at the system outlet (or at home network interface) in operation, the limit values indicated below can be exceeded (see IEC 60728-1-2), taking into account the contribution of the signal performance (quality) of each parameter present at the headend input.

EXAMPLE: The carrier-to-noise ratio measured at the system outlet in operation is lower than the values given in Table 10; i.e. for DVB-S or DVB-S2 the carrier-to-noise ratio will be impaired by up to 1 dB (see IEC 60728-1-2) in respect to the headend input values given in Table 24.

### 5.2 Impedance

The nominal impedance of the system shall be 75  $\Omega$ . It should be noted that this value applies to all coaxial feeder cable and system outlets and shall be used as the reference impedance for all measurements.

### 5.3 Requirements at the terminal input

#### 5.3.1 General

The following requirements apply when a receiver lead connects the system outlet directly to the terminal input (see 3.1.74 and 3.1.99).

### 5.3.2 Signal level

The signal levels at the system outlet given in Table 4 are reduced by the attenuation of the receiver lead specified in IEC 60966-2-4, IEC 60966-2-5, and IEC 60966-2-6. A receiver lead not longer than 3 m is considered not affecting other quality parameters of the service provided to the terminal.

NOTE In this case the signal level is reduced by approximately 1,5 dB (at 1 000 MHz).

### 5.3.3 Other parameters

The performance requirements given below at the system outlet remain unchanged at the terminal input.

## 5.4 Carrier levels at system outlets

### 5.4.1 Minimum and maximum carrier levels

The minimum and maximum carrier levels will depend on many factors including the performance of typical receivers in use and local installation practices. The maximum levels shall not exceed, and the minimum levels shall be not less than, those shown in Table 4 and Table 5.

NOTE For requirements in Japan and the Netherlands, see Clause K.2.

**Table 4 – Carrier signal levels at any system outlet (analogue signals)**

Type of service	Systems	Modulation	Frequency range	Minimum level dB( $\mu$ V)	Maximum level dB( $\mu$ V)
Television	PAL, SECAM	AM-VSB	VHF/UHF	60 <sup>a</sup>	80 <sup>b</sup>
	NTSC	AM-VSB	30 MHz to 300 MHz	57	83
	NTSC	AM-VSB	300 MHz to 1 000 MHz	60	83
	PAL, SECAM	FM	1 <sup>st</sup> IF	47	77
	NTSC	FM	240 MHz to 770 MHz	60	83
	NTSC	FM	1 035 MHz to 1 335 MHz	57	81
Sound Radio	Mono	FM	VHF	40	70 <sup>c</sup>
	Stereo	FM	VHF	50	70 <sup>c</sup>

NOTE The level of the television sound carrier relative to that of the vision carrier, which is permissible, varies according to the television system and performance of typical receivers.

<sup>a</sup> 57 dB( $\mu$ V) for systems with 8 MHz spacing only and with a C/N of 45,5 dB for system L.

<sup>b</sup> 77 dB( $\mu$ V) for systems with >20 channels load.

<sup>c</sup> In order not to overload certain receivers, the figures quoted above for the maximum levels might have to be reduced, for example, by means of a separate attenuator at a specific outlet.

Table 5 – RF signal levels at any system outlet (digital signals)

Type of service	Systems	Modulation	Frequency range	Minimum level dB( $\mu$ V)	Maximum level dB( $\mu$ V)	
Television	DVB-S	QPSK	1 <sup>st</sup> IF	47	77	
	DVB-S2	QPSK, 8PSK, 16APSK, 32APSK	1 <sup>st</sup> IF	47	77	
	DVB-C	16 QAM	VHF/UHF	41	61	
	DVB-C	64 QAM	VHF/UHF	47	67	
	DVB-C	128 QAM	VHF/UHF	50	70	
	DVB-C	256 QAM	VHF/UHF	54	74	
	DVB-T COFDM	QPSK	Code rate 1/2	VHF/UHF	26	74
			2/3		28	74
			3/4		30	74
			5/6		33	74
			7/8		35	74
		16 QAM	Code rate 1/2		32	74
			2/3		36	74
			3/4		39	74
			5/6		42	74
	64 QAM	Code rate 1/2	45	74		
		2/3	48	74		
		3/4	51	74		
		5/6	54	74		
	DVB-T2 COFDM	QPSK	Code rate 1/2	VHF/UHF	26	74
3/5			27		74	
2/3			28		74	
3/4			30		74	
4/5			31		74	
5/6			32		74	
16 QAM		Code rate 1/2	31		74	
		3/5	33		74	
		2/3	35		74	
		3/4	36		74	
64 QAM		Code rate 1/2	37		74	
		3/5	38		74	
	2/3	39	74			
	3/4	41	74			
256 QAM	Code rate 1/2	43	74			
	3/5	44	74			
	2/3	44	74			
	3/4	46	74			
5/6	Code rate 1/2	48	74			
	3/5	49	74			
	2/3	44	74			
	3/4	46	74			

Type of service	Systems	Modulation	Frequency range	Minimum level dB( $\mu$ V)	Maximum level dB( $\mu$ V)
Sound Radio	DAB	OFDM	Band III	28	94
			L-Band	28	84
If a COFDM channel is adjacent to an analogue channel, its level should be at least 9 dB lower than the video carrier of the analogue channel.					
Other types of modulation are under consideration.					

#### 5.4.2 Carrier level differences

The differences in carrier levels shall not exceed the values given in Table 6.

NOTE For requirements in Japan, see Clause K.3.

**Table 6 – Maximum level differences at any system outlet between distributed television channels**

Systems	Modulation	Frequency range	Maximum level difference dB
PAL, SECAM	AM-VSB	47 MHz to 862 MHz	12
NTSC	AM-VSB	30 MHz to 1 000 MHz	15
NTSC	AM-VSB	30 MHz to 300 MHz	12
PAL, SECAM	AM-VSB	Any 60 MHz range in VHF	6
NTSC	AM-VSB	Any 60 MHz range in VHF	8
PAL, SECAM, NTSC	AM-VSB	Adjacent channel	3
PAL, SECAM	FM	950 MHz to 2 150 MHz	15
NTSC	FM	950 MHz to 2 150 MHz	u.c.
PAL, SECAM	FM	up to 470 MHz	15
NTSC	FM	up to 470 MHz	u.c.
DVB-S	QPSK	950 MHz to 2 150 MHz	u.c.
DVB-S2	QPSK, 8PSK, 16APSK, 32APSK	950 MHz to 2 150 MHz	u.c.
DVB-C	64 QAM	47 MHz to 862 MHz	12
DVB-C	64 QAM	Adjacent channel	3
DVB-C	64 QAM	Adjacent channel to AM-VSB	10 <sup>a</sup>
DVB-C	128 QAM	47 MHz to 862 MHz	12
DVB-C	128 QAM	Adjacent channel	3
DVB-C	256 QAM	47 MHz to 862 MHz	12
DVB-C	256 QAM	Adjacent channel	3
DVB-C	256 QAM	Adjacent channel to AM-VSB	6 <sup>a</sup>
DVB-T, DVB-T2	COFDM	Adjacent channel	3
DVB-T, DVB-T2	COFDM	Adjacent channel to AM-VSB	9
u.c. = under consideration			
<sup>a</sup> The 64 QAM, 256 QAM and COFDM signals should be below the level of the adjacent AM signal and reflect the nominal backoff for digital QAM signals.			

If FM sound signals are present at the system outlet intended for AM-VSB television signals, the level of any FM carrier shall be at least 3 dB lower than the lowest television signal level at the outlet.

NOTE The difference applies to signals having the same type of modulation.

The value includes the possible coexistence of signals of 27 MHz bandwidth FM and 7 MHz to 8 MHz bandwidth AM-VSB which may be in the close vicinity. They also take into account the characteristics of the connected customers' receivers (selectivity, image rejection, oscillator radiation). In some cases, it may be necessary, in order to obtain that figure, to incorporate channel by channel processing. The levels of FM satellite channels relative to AM-VSB terrestrial channels should be 0 dB to –10 dB.

When equal level FM radio signals are transmitted from the headend, then the maximum difference between these signals at the system outlet should be 6 dB.

## 5.5 Mutual isolation between system outlets

### 5.5.1 Isolation between two subscribers

The minimum isolation at any frequency between any two subscribers' system outlets connected separately to a spur feeder system shall be as in Table 7.

NOTE For requirements in Japan, see Clause K.4.

**Table 7 – Mutual isolation**

Type of service	Frequency range	Mutual isolation dB
TV / TV	47 MHz to 862 MHz (7 MHz channel or mixed 7 MHz to 8 MHz)	42
TV / TV	47 MHz to 862 MHz (8 MHz channel only)	30
TV / TV	950 MHz to 2 150 MHz	30
FM sound / FM sound	VHF	42
TV / FM sound		50

NOTE 1 For systems carrying channels chosen so that TV local oscillators do not fall within any distributed channels, the figure for mutual isolation may be reduced.

NOTE 2 In systems using a return path, the requirement cannot be fulfilled at the lower frequency of 47 MHz but at a convenient higher frequency, depending on the return path band.

NOTE 3 The recommended mutual isolation for TV/FM sound is intended between two different system outlets and is applicable only for networks where FM sound is distributed.

### 5.5.2 Isolation between individual outlets in one household

The minimum isolation between two individual outlets in one household shall be higher than 22 dB.

NOTE It may be necessary to fulfil the requirements of Table 6 also for one household, if special conditions may require it (e.g. if several TV receivers are operated simultaneously).

### 5.5.3 Isolation between forward and return path

If system outlets are provided with return path inputs, the minimum isolation between return path input and any FM radio or television (analogue or digital: 64 QAM) output shall give a residual carrier level in the return path frequency range as indicated in Table 8.

**Table 8 – Residual carrier level at television or FM radio output within the same outlet or between two different outlets**

Return path input	Inserted signal level into return path input		Residual carrier level at FM radio output		Residual carrier level at television output			
			Used frequency range 88 MHz to 108 MHz		Used frequency range 120 MHz to 300 MHz		Used frequency range 300 MHz to 862 MHz	
Frequency range	Class A	Class B	Class A	Class B	Class A	Class B	Class A	Class B
MHz	dB( $\mu$ V)	dB( $\mu$ V)	dB( $\mu$ V)	dB( $\mu$ V)	dB( $\mu$ V)	dB( $\mu$ V)	dB( $\mu$ V)	dB( $\mu$ V)
10 to 30	<124	<114	<80	<80	<72	<72	<84	<84
30 to 65	<124	<114	u.c.	u.c.	<72	<72	<84	<84
u.c. = under consideration								
NOTE Some television receivers or set-top boxes require a higher isolation than that given in this table. In such cases this can be achieved using suitable filters between the system outlet and the receiver or set-top box.								

## 5.6 Frequency response within a television channel at any system outlet

### 5.6.1 Amplitude response

The amplitude response variations within any television channel shall not exceed the values given in Table 9.

NOTE For requirements in Japan, see Clause K.5.

**Table 9 – Amplitude response variation**

Signal modulation	Occupied or channel bandwidth	Maximum variation (peak-to-peak)	Maximum slope of variation
	MHz	dB	dB/MHz
AM-VSB television	6	2	1
	8	2,5	1
FM television	27 to 36	4	1,5
QPSK (DVB-S)	37,125	8	1,0
QPSK, 8PSK, 16APSK, 32APSK (DVB-S2)	37,125	u.c.	u.c.
TC8PSK (Japan)	34,5	–	–
64 QAM (DVB-C)	8	4 <sup>a</sup>	1,5
64 QAM (Japan)	6	6	u.c.
128 QAM (DVB-C)	8	3	u.c.
256 QAM (DVB-C)	8	2	u.c.
COFDM (DVB-T, DVB-T2)	8	8	8
OFDM (Japan)	6	6	u.c.
u.c. = under consideration			
<sup>a</sup> Cable modems require a tighter amplitude response variation of less than 2,5 dB peak to peak in a 8 MHz channel bandwidth.			

### 5.6.2 Group delay

The group delay variation within any television channel shall not exceed the values given in Table 10.

NOTE For requirements in the Netherlands, see Clause K.6.

**Table 10 – Group delay variation**

Signal modulation	Frequency range MHz	Maximum group delay variation ns
AM-VSB television (PAL) with teletext	0,5 to 4,43	100
AM-VSB television (PAL) without teletext	0,5 to 4,43	200
QPSK	Signal bandwidth (see I.2.3)	100
OFDM	Signal bandwidth (see I.2.3)	100
QAM	Signal bandwidth (see I.2.3)	100

### 5.7 Long-term frequency stability of distributed carrier signals at any system outlet

The frequency stability is determined by the headend equipment and the figures given for headend equipment apply.

NOTE For requirements in Japan, see Clause K.7.

At any system outlet, the maximum frequency deviation from the nominal value of the carrier frequency of the channel shall not exceed the values given below.

For AM television the minimum requirements for frequency stability are given in IEC 60728-5.

For FM television the conversion frequency (i.e. the difference between the frequency of an input signal and the output frequency of that signal) shall not deviate by more than  $\pm 5$  MHz from its nominal value with the following factors taken into account:

- a) temperature variations in the range  $-20$  °C to  $+55$  °C;
- b) supply voltage variations: as stated by the manufacturer;
- c) LO setting error: as stated by the manufacturer;
- d) ageing.

The deviation of the conversion frequency from the nominal value due to a) and b) above together shall not exceed  $\pm 3$  MHz.

For digitally modulated DVB signals the conversion frequency (i.e. the difference between the frequency of an input signal and the output frequency of that signal) shall not deviate from its nominal value by more than the values given in Table 11.

**Table 11 – Maximum deviation of the conversion frequency for digitally modulated DVB signals**

Signal modulation	Conversion frequency deviation kHz
PSK, APSK (DVB-S, DVB-S2)	±1 500
64 QAM (DVB-C)	±100
128 QAM (DVB-C)	±100
256 QAM (DVB-C)	±100
COFDM (DVB-T, DVB-T2)	±30

### 5.8 Random noise

At any system outlet, the level of the noise voltage generated in the system (with unimpaired signal at the headend input) in any channel shall be such that the carrier-to-noise ratio shall be not less than the values shown Table 12 and Table 13. The test method for TV carrier-to-noise ratio is given in 4.5. For FM sound radio signals the same method can be used, but in this case, the noise bandwidth is taken to be 200 kHz, see Table 14. The test method for digitally modulated carriers  $S_{D,RF}/N$  is given in 4.11.4.

NOTE For requirements in Japan, see Clause K.8.

**Table 12 – Carrier-to-noise ratios at system outlet (analogue television)**

Systems	Modulation	Minimum carrier-to-noise ratio <i>C/N</i>	Equivalent noise bandwidth <i>BW</i>
		dB	MHz
I	AM-VSB	44	5,08
B, G, D1		44	4,75
L		45,5 <sup>a</sup>	5,00
D, K		44	5,75
NTSC		43	4,00
M		42	u.c.
PAL, SECAM	FM	15	27
NTSC	FM	14	

<sup>a</sup> For 57 dB(μV) at system outlet; may be reduced to 44 dB if the minimum system outlet level is 60 dB(μV).

**Table 13 – RF signal-to noise ratio at system outlet (digital television)**

Systems	Modulation		Minimum RF signal-to-noise ratio $S_{D,RF}/N$ dB				Equivalent noise bandwidth <i>BW</i> MHz	
			QPSK	8PSK	16APSK	32APSK		
DVB-S	QPSK	Code rate					Independent of bandwidth	
		1/2	10,9					
		2/3	12,8					
		3/4	13,9					
		5/6	14,9					
		7/8	15,6					
DVB-S2	QPSK 8PSK 16APSK 32APSK <sup>c</sup>	Code rate	QPSK	8PSK	16APSK	32APSK	Independent of bandwidth	
		1/4	6,0	–	–	–		
		1/3	7,1	–	–	–		
		2/5	8,0	–	–	–		
		1/2	9,3	–	–	–		
		3/5	10,6	13,8	–	–		
		2/3	11,4	14,9	17,3	–		
		3/4	12,3	16,2	18,5	21,1		
		4/5	13,0	–	19,4	22,0		
		5/6	13,5	17,7	19,9	22,6		
		8/9	14,5	19,0	21,2	24,0		
		9/10	14,7	19,3	21,5	24,4		
DVB-C	16 QAM		20 <sup>a</sup>				Independent of bandwidth	
	64 QAM		26 <sup>a</sup>					
	128 QAM		29 <sup>a</sup>					
	256 QAM		32 <sup>a</sup>					
DVB-T COFDM	QPSK <sup>b</sup>	Code rate	2 k mode		8 k mode		Independent of bandwidth	
		1/2	11		12			
		2/3	14		15			
		3/4	16		17			
		5/6	19		20			
			7/8	22		23		
		16 QAM <sup>b</sup>	Code rate	2 k mode		8 k mode		Independent of bandwidth
	1/2		17		18			
	2/3		20		21			
	3/4		22		23			
5/6	25		26					
		7/8	28		28			
	64 QAM <sup>b</sup>	Code rate	2 k mode		8 k mode		Independent of bandwidth	
1/2		22		23				
2/3		26		27				
3/4		28		29				
5/6		30		31				
		7/8	32		33			

<sup>a</sup> The above values take into account simultaneous distribution of analogue and digital signals. These values assume that intermodulation noise is not present or can be neglected and a *BER* of  $10^{-4}$  before Reed-Solomon decoder is achieved.

<sup>b</sup> These values take into account white noise and impulse noise.

<sup>c</sup> These values are calculated according to ETSI EN 302 307/V1.3.1:2012, Tables 13 and H.1, and are intended for a *PER* of  $10^{-7}$  after LDPC and BCH decoders.

**Table 13** (continued)

Systems	Modulation		Minimum RF signal-to-noise ratio $S_{D,RF}/N$ dB		Equivalent noise bandwidth $BW$ MHz
		Code rate			
DVB-T2 COFDM	QPSK	Code rate	LDPC b.l. <sup>a</sup> : 16 200 bit	LDPC b. l. <sup>a</sup> : 64 800 bit	Independent of bandwidth
		1/2	11,2	12,2	
		3/5	12,5	13,5	
		2/3	13,4	14,4	
		3/4	14,4	15,4	
		4/5	15,1	16,1	
	5/6	15,6	16,6		
	16 QAM	Code rate	LDPC b.l. <sup>a</sup> : 16 200 bits	LDPC b. l. <sup>a</sup> : 64 800 bits	Independent of bandwidth
		1/2	16,2	17,2	
		3/5	17,8	18,8	
		2/3	19,1	20,1	
		3/4	20,4	21,4	
		4/5	21,2	22,2	
	5/6	21,8	22,8		
	64 QAM	Code rate	LDPC b.l. <sup>a</sup> : 16 200 bits	LDPC b. l. <sup>a</sup> : 64 800 bits	Independent of bandwidth
		1/2	20,2	21,2	
		3/5	22,3	23,3	
		2/3	23,8	24,8	
		3/4	25,4	26,4	
		4/5	26,6	27,6	
5/6	27,2	28,2			
256 QAM	Code rate	LDPC b.l. <sup>a</sup> : 16 200 bits	LDPC b. l. <sup>a</sup> : 64 800 bits	Independent of bandwidth	
	1/2	23,6	24,6		
	3/5	26,3	27,3		
	2/3	28,1	29,1		
	3/4	30,3	31,3		
	4/5	31,7	32,7		
5/6	32,4	33,4			

<sup>a</sup> LDPC b.l. – LDPC block length

**Table 14 – Carrier-to-noise ratios at the system outlet (sound radio)**

Systems	Modulation	Minimum carrier-to-noise ratio dB	Equivalent noise bandwidth $BW$ MHz
Mono	FM	38 (PAL, SECAM countries)	0,2
		41 (NTSC countries)	
Stereo	FM	48 (PAL, SECAM countries)	0,2
		51 (NTSC countries)	

## 5.9 Interference to television channels

### 5.9.1 Single-frequency interference

This subclause refers to single-frequency interference, which may result from intermodulation or the presence of other interfering signals (for example, local oscillators, ingress signals).

NOTE For requirements in Japan and the Netherlands, see Clause K.9.

At any system outlet the level of any unwanted signal within the system shall be such that the lowest carrier to interference ratio within a wanted television channel shall be not less than

- 57 dB for AM signals,
- 33 dB for FM signals,
- 35 dB for DVB 64 QAM signals,
- 13 dB for DVB QPSK signals,
- under consideration for DVB 16 QAM, OFDM, 128 QAM and 256 QAM signals.

Where a frequency assignment, taking account of known future off-air and distributed channels, is adopted so that interference signals fall only in the less sensitive areas of the television channel spectrum, a limit lower than that given above is acceptable (see curves given in Figure 10 to Figure 13). The test methods are given in 4.5.2.

Single-frequency interference NTSC digital subcarrier:

- not less than 31 dB.

Special precautions may be needed when the dual sound channel is carried in a lower adjacent channel if interference between the additional subcarrier and the lower vestigial sideband of the adjacent channel is to be avoided.

### 5.9.2 Single-channel intermodulation interference

In this special case of single-frequency interference, the ratio of the reference level relative to the interference signal shall be not less than 54 dB.

NOTE This subclause does not apply to television channels carrying DVB signals.

### 5.9.3 Multiple frequency intermodulation interference

At any system outlet, the level of the multiple frequency intermodulation interference, in any wanted television channel, shall be such that the carrier to interference ratio shall be not less than

- 57 dB for each cluster of composite beats in negative modulation,
- 52 dB for each cluster of composite beats in positive modulation,
- 52 dB for negative modulation and 50 dB for positive modulation for the summed clusters, calculated according to the method of measurement given in 4.5.3,
- 37 dB for the sum of all clusters falling within a DVB 64 QAM channel,
- 13 dB for DVB QPSK,
- under consideration for FM television, DVB OFDM and DVB 256 QAM.

NOTE 1 When coherent carriers are used, lower limits are acceptable.

NOTE 2 Because intermodulation products between multiple, closely spaced, digital TV channels are similar to random noise, this intermodulation is taken into account in the carrier-to-noise measurements.

### 5.9.4 Intermodulation noise

The intermodulation noise is caused by the non-linearity of devices (for example, amplifiers) if digitally modulated signals are present. Severe intermodulation noise occurs in the “waveform clipping regime” (that is when the instantaneous output voltage due to the sum of the QAM channels exceeds the power supply voltage of active devices) because clipping noise is produced by clipped bursts.

The clipping noise effect is dominant over 3<sup>rd</sup> and 5<sup>th</sup> order intermodulation products, and it is much worse than Gaussian noise because one or several bursts during a symbol time (144 ns

for a 64 QAM signal) can be destroyed by nanosecond clipping effects and when the Reed-Solomon burst correction capability is not sufficient to recover this error.

The increment of the intermodulation noise with rising QAM channels level, is in the range of 4 dB to 8 dB, for 1 dB increment of the QAM channels level (usually expressed as 4 dB/dB or 8 dB/dB). This value is much greater than the 2 dB/dB value for 3<sup>rd</sup> intermodulation products shown by a well-behaved amplifier.

The system shall be operated in such a way that a *BER* of  $10^{-4}$  or better before Reed-Solomon is always achieved at the  $S_{D,RF}/N$  given in Table 13.

For this reason a control of the “sum of the carrier voltages” shall be implemented in the headend. In MATV systems, where the received signal level can vary by  $\pm 3$  dB due to the propagation effects, the amplifiers shall have an appropriate gain control or shall be operated at such a level that the intermodulation noise requirement is never exceeded.

### 5.9.5 Cross-modulation

Under consideration.

NOTE For requirements in Japan, see Clause K.10.

## 5.10 Video baseband requirements

### 5.10.1 Differential gain and phase in any television channel

NOTE This clause does not apply to channels carrying DVB signals.

The differential gain and phase in any television channel shall not exceed the figures given in Table 15.

**Table 15 – Differential gain and phase in television channels**

Systems	Maximum peak-to-peak differential gain	Maximum peak-to-peak differential phase
	%	Degrees
PAL	10	12
SECAM	40	32
NTSC	10	5

### 5.10.2 Echoes

The echo rating in any television channel, at any system outlet, when measured by the method defined in 4.7 shall not exceed 7 %.

NOTE For requirements in Japan and the Netherlands, see Clause K.11.

## 5.11 Hum modulation of carriers in television channels

NOTE For requirements in Japan, see Clause K.12.

At any system outlet the unwanted modulation of any vision carrier at the frequency of the supply mains and harmonics thereof shall be such that the reference modulation to hum modulation ratio is not less than 46 dB.

The unwanted modulation of any AM sound carrier shall be such that this ratio is not less than 60 dB.

For system M, the vision carrier ratio of reference modulation to hum modulation shall not be less than 35 dB.

The hum modulation of NTSC digital subcarrier shall be not less than 50 dB.

The test method for both cases is given in 4.5.6.

Hum modulation requirements for FM television and DVB are under consideration.

## **5.12 Requirements for data signal transmission**

### **5.12.1 Data signals carried in the structure of a television signal**

#### **5.12.1.1 Data signals carried in the vertical interval of a television signal – Data echo rating**

NOTE For requirements in Denmark, see Clause K.13.

$$E_d < 10 \%$$

#### **5.12.1.2 Data delay inequality**

The data delay inequality in any television channel shall not exceed 50 ns.

#### **5.12.1.3 Data signals using the whole television field – Data echo rating**

$$E_d < 10 \%$$

#### **5.12.1.4 Data delay inequality**

The data delay inequality in any television channel shall not exceed 50 ns.

#### **5.12.1.5 Data signals on the audio or additional carriers within a television signal**

Under consideration.

#### **5.12.1.6 Data signals using other parts of the television signal**

Under consideration.

### **5.12.2 Data signals other than those carried within the structure of a television signal**

Under consideration.

## **5.13 Digitally modulated signals – Additional performance requirements**

### **5.13.1 DVB (PSK, QAM, OFDM) performance**

#### **5.13.1.1 BER**

For a service quasi-free of interruption the *BER* for any DVB signal shall be lower than  $10^{-4}$ , before Reed-Solomon error correction.

#### **5.13.1.2 Noise margin**

For any DVB signal received by satellite, the noise margin shall be higher than 4 dB.

NOTE For terrestrial reception the noise margin can be reduced to 1 dB if the received signal level is stable within  $\pm 1$  dB.

### 5.13.1.3 MER

NOTE This performance recommendation is for information only.

For any DVB signal the *MER* should be not lower than the value given in Table 16.

**Table 16 – Modulation error ratio MER of DVB signals**

Systems	Signal modulation	<i>MER</i> dB
DVB-S	QPSK	11
DVB-S2	QPSK	11
	8PSK	14
	16APSK	16
	32APSK	18
DVB-C	16 QAM	20
	64 QAM	26
	128 QAM	29
	256 QAM	32
DVB-T	COFDM	26
DVB-T2	COFDM	32

### 5.13.1.4 Phase jitter

NOTE This performance requirement is for information only.

For any DVB signal the phase jitter shall be lower than the value given in Table 17.

**Table 17 – Phase jitter of a DVB signal**

Systems	Signal modulation	Phase jitter degrees
DVB-S	QPSK	±15
DVB-S2	QPSK	±15
	8PSK	u.c.
	16APSK	u.c.
	32APSK	u.c.
DVB-C	64 QAM	±5
	128 QAM	u.c.
	256 QAM	u.c.
DVB-T	COFDM	±5
DVB-T2	COFDM	±5

u.c. = under consideration

### 5.13.1.5 Phase noise of an RF carrier

NOTE For requirements in Japan, see Clause K.14.

For any RF carrier of a digitally modulated signal (PSK, APSK or QAM) the phase noise shall be lower than the value given in Table 18 at the frequency distance  $f_m$  from the carrier.

**Table 18 – Phase noise of a DVB signal (PSK, APSK and QAM)**

Systems	Signal modulation	Frequency distance $f_m$	Phase noise dB(Hz <sup>-1</sup> )				
		$f_a, f_b, f_c, f_d, f_e \Rightarrow$	100 Hz	1 kHz	10 kHz	100 kHz	1 000 kHz
		Symbol rate MSymbols/s	$L_a$	$L_b$	$L_c$	$L_d$	$L_e$
DVB-S	QPSK	5 to 27,5	-40	-55	-75	-80	-100
DVB-S2	QPSK, 8PSK	5 to 27,5	-40	-55	-75	-80	-100
DVB-C	16 QAM	>3,5	-	-32	-74	-94	-104
		1,7/3,5	-	-41	-80	-100	-104
	64 QAM	>3,5	-	-38	-80	-100	-110
		1,7/3,5	-	-47	-86	-106	-110
	128 QAM	>3,5	-	-41	-83	-103	-113
		1,7/3,5	-	-50	-89	-109	-113
	256 QAM	>3,5	-	-44	-86	-106	-116
		1,7/3,5	-	-53	-92	-112	-116

For a digitally modulated signal in the OFDM format the phase noise can cause CPE which affects all the carriers simultaneously and inter-carrier interference ICI.

For any RF carrier of a DVB signal modulated in the OFDM format, measured with the method of measurement given in 4.11.10, the value of CPE and that of ICI shall be lower than the values  $L_a$ ,  $L_b$ ,  $L_c$  and  $L_d$  given in Table 19 at the frequency distances  $f_a$ ,  $f_b$ ,  $f_c$  and  $f_d$  from the carrier.

**Table 19 – Phase noise of a DVB-T signal (COFDM)**

Systems	Signal modulation	Frequency distance $f_m$	Phase noise dB(Hz <sup>-1</sup> )			
		$f_a, f_b, f_c, f_d \Rightarrow$	1 kHz	10 kHz	100 kHz	1 000 kHz
DVB-T	2 k and 8 k		$L_a$	$L_b$	$L_c$	$L_d$
			-75	-85	-110	-110
DVB-T2	COFDM	$f_a, f_b, f_c, f_d \Rightarrow$	1 kHz	10 kHz	100 kHz	1 000 kHz
			$L_a$	$L_b$	$L_c$	$L_d$
			-75	-85	-110	-110

### 5.13.2 NICAM performance

The performance for NICAM systems is determined largely by the headend equipment and the limits given in IEC 60728-5 apply.

### 5.13.3 DAB performance

Under consideration.

## 5.14 FM sound radio – Additional performance requirements

### 5.14.1 Amplitude response within an FM channel

The amplitude response as a function of frequency for the entire system shall be such that the maximum amplitude variation over any FM channel (bandwidth appropriate for the transmission system in use) is not more than 3 dB with the slope not exceeding 0,3 dB per 10 kHz within 75 kHz of the carrier.

### 5.14.2 Phase response within an FM channel

Under consideration.

### 5.14.3 Interference within an FM channel

Under consideration.

NOTE For requirements in the Netherlands, see Clause K.15.

### 5.14.4 AM hum modulation on FM sound carriers

Hum modulation sidebands shall be at least 46 dB below the carrier level.

### 5.14.5 Echoes within an FM channel

Under consideration.

## 6 Performance requirements at receiving antennas

### 6.1 General

The quality of the signals delivered at system outlets depends not only on the headend signal processing and on the network performance but also on the characteristics of the signals received by the antennas. Therefore appropriate requirements concerning

- field strength at the receiving antennas site;
- quality of received signals;
- safety;
- EMC;

are needed in order to provide at the input of the headend of the cable network both analogue and digital television signals with suitable quality.

The field strength level at the antenna site shall be higher than the minimum values required by

- ITU-R Recommendation BT.417-4 – for analogue television broadcasting;
- ITU-R Recommendation BS.412-9 – for FM sound broadcasting;
- CEPT – The Chester 1997 Multilateral Co-ordination Agreement relating to Technical Criteria, Coordination Principles and Procedures for the introduction of Terrestrial Digital Video Broadcasting (DVB-T) [CEPT:1997]

The measurement of the field strength at the receiving antenna site shall be performed using suitable calibrated antennas.

## 6.2 Method of measurement of field strength

### 6.2.1 Overview

This measuring method applies to the measurement of the field strength level at the antenna site in order to verify if its level is adequate for good reception conditions of FM radio and digital audio broadcasting (DAB), analogue and digital television signals.

### 6.2.2 Equipment required

The pieces of equipment required are:

- a calibrated antenna (half-wave dipole or log-periodic antenna) with a known antenna coefficient  $ANT_C$ , expressed in  $\text{dB}(\text{m}^{-1})$ ;
- a spectrum analyser having a calibrated display in  $\text{dB}(\mu\text{V})$  of the tuned signal. The equipment shall be able to tune over the frequency range of the received radio and television signals;
- a calibrated coaxial cable of suitable length (for example, 10 m) having a calibrated attenuation  $A_C$  (dB) at the frequencies where the measurement is performed.

### 6.2.3 Connection of the equipment

Connect the equipment as follows:

- connect the spectrum analyser to the calibrated antenna using the calibrated coaxial cable;
- locate the calibrated antenna in the site position where the receiving antenna will be placed;
- set the polarization of the calibrated antenna according to the electromagnetic field of the wanted signal to be measured;
- turn the calibrated antenna towards the wanted signal to be measured in the same direction as the designed receiving antenna.

### 6.2.4 Measurement procedure

#### 6.2.4.1 Analogue modulated signals

The measurement procedure consists of the following steps.

- a) When signal levels are to be measured where a high ambient field is present, the measuring equipment (spectrum analyser) shall be checked for spurious readings. Connect a shielded termination to its input cable, place both the meter and the lead approximately in their measuring positions and check that there is a negligible reading at the frequency(ies) and on the meter ranges to be used.
- b) Connect the spectrum analyser to the calibrated antenna by means of a calibrated coaxial cable.

The following steps depend on the type of analogue modulated signal to be measured.

#### c) AM television channel

- 1) Tune the vision carrier of the television channel that is to be measured (selecting the centre frequency of the spectrum analyser) and select the span and level settings to show the whole channel.
- 2) Set the span of the spectrum analyser to 0 Hz, the resolution bandwidth to 1 MHz and the video bandwidth to 1 MHz.
- 3) Use the max-hold feature to display the maximum of the received signal. Measure the level  $S$  of the top of the displayed signal in  $\text{dB}(\mu\text{V})$  using the display line cursor if this feature is available.

For positive modulation TV systems, the measuring receiver should remain connected for a sufficient period to ensure that the maximum reading is obtained. It may therefore be necessary to observe the picture in order to ensure that peak white is present in the signal during the measurement.

d) FM television channel

- 1) Tune the carrier of the television channel that is to be measured (selecting the centre frequency of the spectrum analyser) and select the span and level settings to show the whole channel.
- 2) Set the span of the spectrum analyser to 0 Hz, the resolution bandwidth to 1 MHz and the video bandwidth to 1 MHz.
- 3) Use the max-hold feature to display the maximum of the received signal. Measure the level  $S$  of the top of the displayed signal in dB( $\mu$ V) using the display line cursor if this feature is available.

e) FM radio channel

- 1) Tune the carrier of the FM radio channel that is to be measured (selecting the centre frequency of the spectrum analyser) and select the span and level settings to show the whole channel.
- 2) Set the span of the spectrum analyser to 0 Hz, the resolution bandwidth to 100 kHz and the video bandwidth to 10 kHz;
- 3) Use the max-hold feature to display the maximum of the received signal. Measure the level  $S$  of the top of the displayed signal in dB( $\mu$ V) using the display line cursor if this feature is available.

f) The field strength level  $FSL$  is calculated by the following formula:

$$FSL = S + ANT_C + A_C \quad \text{in dB}(\mu\text{V/m})$$

#### 6.2.4.2 Digitally modulated signals

Measurement of digitally modulated signals.

- a) When signal levels are to be measured where a high ambient field is present, the measuring equipment (spectrum analyser) shall be checked for spurious readings. Connect a shielded termination to its input cable, place both the meter and the lead approximately in their measuring positions and check that there is a negligible reading at the frequency(ies) and on the meter ranges to be used.
- b) Tune the channel that is to be measured (selecting the centre frequency of the spectrum analyser) and select the span and level settings to show the whole channel whose bandwidth depends on the type of modulation used (see Annex I).
- c) Set the resolution bandwidth  $RSBW$  of the spectrum analyser to 100 kHz and set the video bandwidth low enough to obtain a smooth display (100 Hz, if available).
- d) Measure level  $S$  of the flat top of the displayed signal in dB(mW) using the display line cursor if this feature is available.

NOTE 1 If the spectrum of the signal does not have a flat top, due to echoes, measure the signal level at the centre frequency of the channel.

- e) Measure on the displayed channel the upper and lower frequencies at the channel edges where the level is 3 dB lower than the maximum level  $S$ . The difference between these two frequencies is assumed to be the equivalent signal bandwidth  $BW$ , expressed in Hz.
- f) Calculate the level  $S_{D,RF}$  of the signal using the following formula:

$$S_{D,RF} = S + 10 \lg \left[ \frac{BW}{RSBW} \right] + K_{sa} \quad \text{in dB(mW)}$$

The correction factor  $K_{sa}$  depends on the measuring equipment used and shall be provided by the manufacturer of the measuring equipment or obtained by calibration. The value of the correction factor for a typical spectrum analyser is about 1,7 dB (see also Annex J).

The correction factor is not necessary if the measuring equipment can be set to display the level in dB(mW/Hz). In this case the level  $S_{D,RF}$  of the signal can be obtained from the measured maximum level  $S$  using the following formula:

$$S_{D,RF} = S + 10 \lg(BW) \quad \text{in dB(mW)}$$

In this formula the bandwidth  $BW$  has to be expressed in Hz.

This measuring method actually measures the  $S + N$  level. The contribution of noise is considered negligible if the level of noise displayed outside the channel band is at least 15 dB lower than the maximum level displayed within the channel band. This noise level includes that of the measuring equipment (spectrum analyser), which should be at least 10 dB lower than the noise level displayed outside the channel band in order not to affect the results. Otherwise, the contribution of noise (due to the system or the equipment under test and to the measuring equipment) shall be taken into account in the measurement of signal level  $S$  (see Annex G).

g) The field strength level  $FSL$  is calculated by the following formula:

$$FSL = S_{D,RF} + ANT_C + A_C + 107 \quad \text{in dB}(\mu\text{V/m})$$

NOTE 2 The coefficient 107 applies if the input impedance of the measuring set (spectrum analyser) is 50  $\Omega$ . This value becomes 109 if the measuring set has a 75  $\Omega$  input impedance.

## 6.2.5 Presentation of the results

The measured field strength level of the wanted signal shall be expressed in dB( $\mu$ V/m). The accuracy of the measuring equipment shall be stated with the results.

## 6.3 Requirements

### 6.3.1 General

The quality of the received signal by the antenna system is considered sufficient if

- the field strength level for each channel (radio or television) present at the receiving point is higher than the minimum values indicated in the following clauses;
- the degradations due to disturbances is lower than the values given in Table 29 and Table 30 for analogue signals.

### 6.3.2 Field strength requirements

The field strength requirements are as follows.

a) Analogue terrestrial broadcasting

The minimum values for the field strength required at the receiving antenna site for analogue terrestrial broadcasting signals (television and FM radio) are recommended by ITU-R (Recommendation BT.417-4 for television and BS.412-9 for FM radio) and are indicated in Table 20. The electrical field strength levels are referred to the RMS value of the carrier. For television signals reference is made to the vision carrier during the positive peak of the modulation envelope.

Table 20 also indicates the antenna gain for each band (referred to half-wavelength dipole) that is needed to obtain (at the input of the headend) at least 0,5 mV (54 dB( $\mu$ V)) for television signals and 0,2 mV (46 dB( $\mu$ V)) for FM radio signals, using a connecting cable supposed to be 10 m long. Its attenuation is also indicated in Table 20.

These values are applicable for individual reception only, without any amplifier between the antenna and the receiver. In this case, the minimum values of Table 4 can be lower.

For MATV systems the minimum field strength levels of Table 20 shall be increased by 6 dB and for CATV systems shall be increased by 10 dB.

**Table 20 – Minimum field strength levels recommended by ITU-R**

Band	Minimum electric field strength level		Antenna gain (referred to half-wavelength dipole)	Cable attenuation (10 m)
	dB( $\mu$ V/m)	$\mu$ V/m	dB	dB
Television				
I	48	250	8,1	0,6
III	55	560	12,7	1,2
IV	65	1 780	11,7	1,9
V	70	3 160	9,7	2,3
FM radio 87,5 MHz to 108 MHz	48	250	5,1	0,8

These antenna gains are given for information. Select the actual antenna gain according to the minimum field strength levels available at the receiving site.

b) Digital terrestrial broadcasting

The minimum values for the field strength required at the receiving antenna site for DVB-T signals are recommended by CEPT:1997 for the different receiving conditions:

- outdoor fixed reception,
- outdoor mobile reception,
- indoor (ground floor) reception (portable receiver).

For fixed reception of DVB-T signals (COFDM: 64 QAM, 2/3 rate, 8k mode) and 8 MHz channel, the values given in Table 21 are recommended.

**Table 21 – Minimum field strength levels recommended by CEPT:1997**

Modulation	Band	Minimum electric field strength level	
		dB( $\mu$ V/m)	$\mu$ V/m
8k 64 QAM	III	38	80
	IV	44	160
	V	48	250
2 k 16QAM	III	u.c.	
	IV	u.c.	
	V	u.c.	

u.c. = under consideration

The values of Table 21 assume fixed reception conditions, supposed to be obtained using a directive antenna at 10 m above ground level.

These values are applicable for individual reception only, without any amplifier between the antenna and the receiver.

For MATV systems the minimum field strength levels of Table 21 shall be increased by 6 dB and for CATV systems by 10 dB.

For 7 MHz channels the recommendations for field strength levels are 0,6 dB lower than for 8 MHz channels.

For 6 MHz channels the recommendations for field strength levels are 1,25 dB lower than for 8 MHz channels.

c) Analogue and digital satellite broadcasting

The power transmitted by satellites for DTH service is about 50 dB(W) to 52 dB(W). In the service area (usually defined where the power density is  $-3$  dB with respect to boresight), receiving antennas with a diameter lower than 1 m are sufficient, if the LNB noise figure is lower than 2 dB.

The main disturbance is due to noise and atmosphere conditions (fog, rain, etc.). It is advisable to design the receiving system (antenna and LNB) with a suitable margin related to the minimum  $C/N$  required at the system outlet.

For community reception using distribution at 1<sup>st</sup> IF (950 MHz to 2 150 MHz) of PSK, APSK or FM modulated signals, it is suggested that the antenna diameter should be increased by 50 % to compensate for degradations due to the distribution system.

### 6.3.3 Quality of received signals

#### 6.3.3.1 General

Using the antenna designed (gain, directivity and polarization) for receiving the wanted signals at the antenna site, the following minimum signal levels at the headend input shall be obtained as stated in Table 22 to Table 28. For analogue broadcasting, the signal-to-disturbance ratio stated in Table 29 and signal-to-echo ratio stated in Table 30 shall be obtained at the headend input.

#### 6.3.3.2 Signal level

Signal level requirements are as follows.

a) Analogue sound broadcasting in the FM range

For the FM range, when using the designed antenna, the signal levels for mono and stereo reception stated in Table 22 shall be obtained at the headend input.

**Table 22 – Minimum signal level at the headend input for the reception of analogue sound broadcasting**

Band	Minimum signal level for stereo reception dB( $\mu$ V)	Minimum signal level for mono reception dB( $\mu$ V)
II (FM)	56	46

b) Analogue television broadcasting in bands I, III, IV and V

For the individual television bands, Table 23 states minimum signal levels at the headend input for which a carrier-to-noise ratio  $C/N$  of 44 dB can be expected at system outlets, as required for good reception using commercial TV sets.

**Table 23 – Minimum signal level at the headend input for the reception of analogue television broadcasting**

Band	Minimum signal level for MATV systems dB( $\mu$ V)	Minimum signal level for CATV systems dB( $\mu$ V)
I	54	66
III	54	66
IV/V	54	66

NOTE This assumes a system noise figure of 8 dB for MATV and 20 dB for CATV systems.

c) Digital audio broadcasting (DAB) in band III and L-band

For the reception of DAB signals in band III and in the L-band the minimum signal levels at the headend input stated in Table 24 shall be obtained.

**Table 24 – Minimum signal level at the headend input for the reception of DAB signals at an error ratio of  $1 \times 10^{-4}$  and code rate 1/2**

Band	Minimum signal level for DAB dB( $\mu$ V)
III	28
L-band	28

In addition, the specifications according to EN 50248 apply.

d) Digital terrestrial television broadcasting in bands III, IV and V

The values stated in Table 25 are valid for band IV/V. In band III, the values for the minimum signal levels are each reduced by 0,6 dB. The values are based on DVB-T signals (COFDM) in 8 MHz channels and for a bit-error ratio of  $2 \times 10^{-4}$ .

**Table 25 – Minimum signal level and RF signal-to-noise ratio at the headend input for stationary reception of DVB-T signals**

DVB-T COFDM Modulation method	Code rate	Rice channel	
		SD,RF/N dB	Minimum signal level dB( $\mu$ V)
QPSK	1/2	6,1	17,7
	2/3	8,2	19,8
	3/4	9,3	20,9
	5/6	10,5	22,1
	7/8	11,3	22,9
16 QAM	1/2	12,2	23,8
	2/3	14,2	25,8
	3/4	15,6	27,2
	5/6	17,1	28,7
	7/8	17,7	29,3
64 QAM	1/2	17,4	29,0
	2/3	20,0	31,6
	3/4	21,6	33,2
	5/6	23,3	34,9
	7/8	24,5	36,1

The values stated in Table 26 are based on DVB-T2 signals (COFDM) in 8 MHz channels and for a BER =  $10^{-7}$  after LDPC (see Table 44 of ETSI/TS 102 831/V1.2.1:2012). An implementation margin of 4 dB has been added.

**Table 26 – Minimum signal-to-noise ratio  $S_{D,RF}/N$  at the headend input for DVB-T2 signals (LDPC block length 64 800 bit)**

DVB-T2 COFDM Modulation method	Code rate	Rice channel	
		$S_{D,RF}/N$ dB	Minimum signal level dB( $\mu$ V)
QPSK	1/2	5,2	16,8
	3/5	6,5	18,1
	2/3	7,4	19,0
	3/4	8,4	20,0
	4/5	9,1	20,7
	5/6	9,6	21,2
16 QAM	1/2	10,2	21,8
	3/5	11,8	23,4
	2/3	13,1	24,7
	3/4	14,4	26,0
	4/5	15,2	26,8
	5/6	15,8	27,4
64 QAM	1/2	14,2	25,8
	3/5	16,3	27,9
	2/3	17,8	29,4
	3/4	19,4	31,0
	4/5	20,6	32,2
	5/6	21,2	32,8
256 QAM	1/2	17,6	29,2
	3/5	20,3	31,9
	2/3	22,1	33,7
	3/4	24,3	35,9
	4/5	25,7	37,3
	5/6	26,4	38,0

For block length of 16 200 bit, a reduced degradation of 0,3 dB to 0,4 dB should be taken into account.

e) Satellite reception in the frequency range 950 MHz to 2 150 MHz

1) Analogue satellite reception

The minimum input level at the headend (LNB output and 10 m of coaxial cable) applies to the minimum carrier-to-noise ratios stated in Table 27 and to an availability of 99 %.

**Table 27 – Minimum signal level and carrier-to-noise ratio at the headend input for the reception of FM modulated satellite signals**

Transponder bandwidth MHz	C/N dB	Minimum signal level dB( $\mu$ V)
27	12	44
36	14	44

## 2) Digital satellite reception

The minimum input level of 44 dB( $\mu$ V) at the headend (LNB output and 10 m of coaxial cable) applies to the minimum carrier-to-noise ratios stated in Table 28 at the respective transmission parameters.

Table 28 is based on an MPEG2/MPEG-4 source coding with a Reed-Solomon code rate  $R = 188/204$  for DVB-S satellite signals and with a BCH/LDPC coding for DVB-S2 satellite signals. The DVB-S signals are QPSK modulated and meet a minimum  $BER$  of  $2 \times 10^{-4}$ . The DVB-S2 signals are specified for different modulation forms and meet a minimum  $PER$  of  $10^{-7}$  with an AWGN channel and a FECFRAME length of 64 800.

**Table 28 – Minimum RF signal-to-noise ratio at the headend input for the reception of DVB-S or DVB-S2 satellite signals (AWGN channel and FECFRAME length of 64 800)**

Code rate	DVB-S QPSK $S_{D,RF}/N$ dB	DVB-S2 QPSK $S_{D,RF}/N$ dB	DVB-S2 8PSK $S_{D,RF}/N$ dB	DVB-S2 16APSK $S_{D,RF}/N$ dB	DVB-S2 32APSK $S_{D,RF}/N$ dB
1/4	–	3,7	–	–	–
1/3	–	4,8	–	–	–
2/5	–	5,7	–	–	–
1/2	8,6	7,0	–	–	–
3/5	–	8,3	11,5	–	–
2/3	10,5	9,1	12,6	15,0	–
3/4	11,6	10,0	13,9	16,2	18,8
4/5	–	10,7	–	17,1	19,7
5/6	12,6	11,2	15,4	17,6	20,3
7/8	13,3	–	–	–	–
8/9	–	12,2	16,7	18,9	21,7
9/10	–	12,4	17,0	19,2	22,1

For FECFRAME = 16 200, an additional degradation of 0,2 dB to 0,3 dB should be taken into account.

## f) Additional specifications for satellite reception

In addition, the specifications according to ETSI ETS 300 784, ETSI EN 300 421 and ETSI EN 302 307/V1.3.1:2012 apply for satellite reception.

### 6.3.3.3 Minimum signal/disturbance ratio for analogue terrestrial broadcasting signals

For analogue AM television and FM radio terrestrial broadcasting the minimum values for signal-to-disturbance ratios (impulsive or sinusoidal (continuous wave) disturbance) at the input of the headend, as stated in Table 29, applies.

**Table 29 – Minimum values for signal-to-disturbance ratio**

Service	Minimum signal-to-disturbance ratio	
	Impulsive disturbance dB	Sinusoidal disturbance dB
Television	43	60
FM radio 87,5 MHz – 108 MHz	50	50

#### 6.3.3.4 Minimum signal/echo ratio for analogue terrestrial broadcasting signals

For analogue terrestrial AM television broadcasting, the minimum values for signal-to-echo ratios at the input of the headend, as stated in Table 30, applies.

**Table 30 – Minimum values for signal-to-echo ratio**

Service	Echo <sup>a</sup>	
	Delay μs	Signal-to-echo ratio dB
Television	2,0	40
	0,5	30
	0,2	20
	0,05	10
<sup>a</sup> These values take into account only the requirements for picture signals and not for teletext signals. For teletext, the requirements given in 5.10.2 apply.		

#### 6.3.3.5 BER/PER and other quality requirements of digital signals

The quality of digital signals is related to BER and PER. If BER is lower than a certain value, the signal received can be restored without errors in the baseband, the image and the sound is reproduced as coded by the source.

The DVB systems are designed for a QEF reception before the MPEG-2 or MPEG-4 decoder. This condition allows a reception with less than one error per reception hour. Using a transmitted bit rate of 20 Mbit/s to 40 Mbit/s, the QEF condition is reached with a *BER* of  $10^{-11}$  after Reed-Solomon decoding, that requires a *BER* of  $10^{-4}$  before Reed-Solomon decoding, considering only white-noise effect. This value is generally indicated as the required *BER* for a good digital television signal reception.

DVB-S2 transmission systems for satellite signals consider the QEF condition at *PER* =  $10^{-7}$  after LDPC and BCH decoders.

#### 6.3.3.6 Threshold behaviour of digital television signals and installation quality

An important characteristic of digital television signals is the “threshold” behaviour, as usual for digital systems with no dependence on the transmission channel used (satellite, terrestrial, cable). If the *BER* is lower than a certain limit, the signal is not dependent on the degradations due to the transmission chain, the picture and sound can be reproduced correctly because of the error correction provided by the receiver. If this limit is overcome, the quality of picture and sound decreases rapidly.

In order to obtain a reliable service, it is not sufficient to verify that the received signal is error-free, looking at the picture on the television screen or considering the sound quality, because the receiving system could have a very small margin. In this case, a very small increase of noise, of the interfering signal or of the transmission loss, due to meteorological reasons or other impairments, can cause a service interruption. It is therefore recommended to design and install the individual or community receiving systems taking into account the performance requirements that are able to guarantee a sufficient quality margin at the system outlets.

#### 6.3.4 Safety

The specifications according to IEC 60728-11 apply.

### 6.3.5 Electromagnetic compatibility (EMC)

The specifications according to IEC 60728-2 and IEC 60728-12 apply.

## 6.4 Interference reduction

### 6.4.1 General

Interference within or outside receiving systems may affect the picture and sound quality. For interference of sources, which are outside the antenna system, the following measures apply.

An anti-interference antenna design like a directional antenna or an anti-interference location should be selected.

The outgoing lines of the antennas and the RF distribution network up to the receiver inputs shall be shielded straight-through (for shielding efficiency, see IEC 60728-2).

Within the system, no interfering reflections shall develop (see IEC 60728-12).

### 6.4.2 Active antennas

Self-generated oscillations which might occur in the case of wrong terminated outputs (open-circuit operation/short circuit) and in the case of approximation of output line and antenna (operating error) shall be measured as specified in IEC 60728-2.

## 7 Performance requirements at home network interfaces of cable networks

### 7.1 General

NOTE For requirements in Japan, see Clause K.16.

The following types of home networks (HN) are possible:

- a) passive coaxial home network;
- b) active coaxial home network;
- c) different home network types.

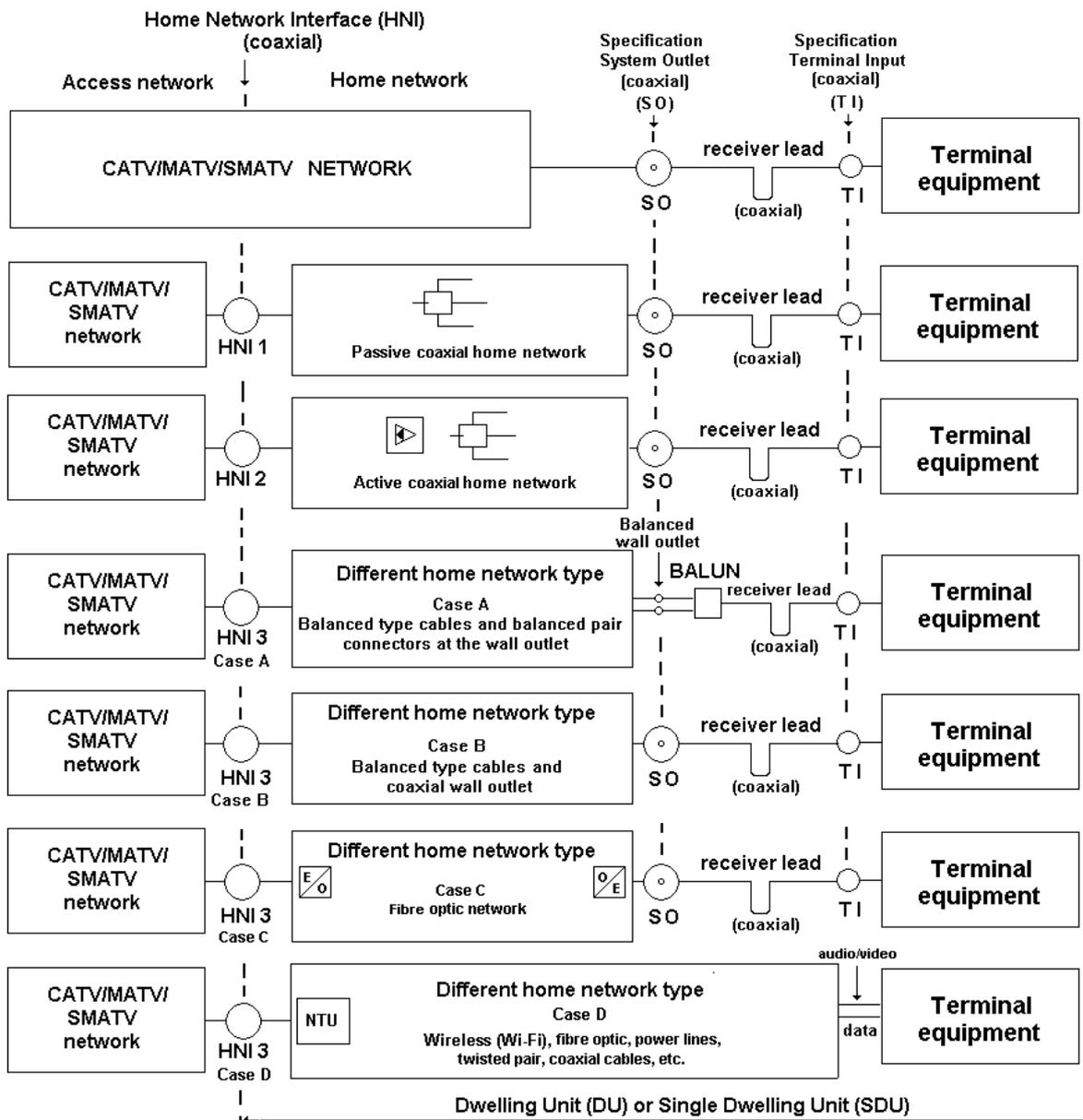
Figure 46 shows typical situations that are possible when considering home networks.

The home network can be realised using coaxial cables, balanced cables, optical cables or radio links.

This clause specifies the requirements to be obtained at the home network interface (HNI) based upon coaxial cabling and/or balanced cabling or other types of links are used inside an apartment for carrying BCT signals provided by a CATV, MATV or SMATV cable network. This HNI may be used for connecting individual roof antennas as well in the case of a single dwelling unit home.

The characteristics of the signals delivered by the CATV, MATV or SMATV cable network at the HNI are defined, taking into account

- d) the signal performance requirements at the system outlets (SO), defined in Clause 5, or the requirements at the input of the terminal equipment to be connected,
- e) the impairment of the signals due to the home network (see IEC 60728-1-1).



IEC 1767/14

**Figure 46 – Home network types used to define the requirements at HNI1 (coaxial)**

Transmission requirements for each application reported in 7.2 to 7.6 shall be considered for dimensioning the HN to support as many applications as possible according to the generic cabling principle.

## 7.2 Requirements at HNI1 for passive coaxial home networks

### 7.2.1 General

The requirements listed below apply at the coaxial HNI1 when the home network is only passive. Taking into account the allowed degradation of the signals in the passive coaxial home network, these requirements, defined at the home network interface, are able to fulfil the requirements specified in Clause 5 at each system outlet or terminal input.

## 7.2.2 Carrier levels at the HNI1

### 7.2.2.1 Minimum and maximum carrier levels

The maximum levels at the HNI1 shall not exceed, and the minimum levels shall be not less than, those shown in Table 31 and Table 32, where  $\alpha_p$  is the highest attenuation due to splitters, the length and type of the cables, the filters (in the system outlet), etc., used in the passive coaxial home network. In any case, the value of  $\alpha_p$  shall be not lower than  $\alpha_{p,\min} = 3$  dB and not higher than  $\alpha_{p,\max} = 18$  dB at 1 GHz or  $\alpha_{p,\max} = 26$  dB at 2 GHz.

The carrier level at the HNI1 is constrained as well by the 5 dB sectional slope of the passive coaxial home network (SSLP) defined in 7.2.2.2.

**Table 31 – Signal level at HNI1 (analogue signals)**

Type of service	Systems	Modulation	Frequency range	Minimum level dB( $\mu$ V)	Maximum level dB( $\mu$ V)
Television	PAL, SECAM	AM-VSB	VHF/UHF	60 <sup>a</sup> + $\alpha_p$	80 <sup>b</sup> + $\alpha_p$
	NTSC	AM-VSB	30 MHz to 300 MHz	57 + $\alpha_p$	83 + $\alpha_p$
	NTSC	AM-VSB	300 MHz to 1 000 MHz	60 + $\alpha_p$	83 + $\alpha_p$
	PAL, SECAM	FM	1 <sup>st</sup> IF	47 + $\alpha_p$	77 + $\alpha_p$
	NTSC	FM	240 MHz to 770 MHz	60 + $\alpha_p$	83 + $\alpha_p$
	NTSC	FM	1 035 MHz to 1 335 MHz	57 + $\alpha_p$	81 + $\alpha_p$
Sound Radio	Mono	FM	VHF	40 + $\alpha_p$	70 + $\alpha_p$
	Stereo	FM	VHF	50 + $\alpha_p$	70 + $\alpha_p$
<sup>a</sup> 57 dB( $\mu$ V) for systems with 8 MHz spacing only and with a C/N of 45,5 dB for system L. <sup>b</sup> 77 dB( $\mu$ V) for systems with >20 channels load.					

Table 32 – Signal level at HNI1 (digital signals)

Type of service	Systems	Modulation		Frequency range	Minimum level dB( $\mu$ V)	Maximum level dB( $\mu$ V)	
Television	DVB-S	QPSK		1 <sup>st</sup> IF	$47 + \alpha_p$	$77 + \alpha_p$	
	DVB-S2	QPSK, 8PSK, 16APSK, 32APSK		1 <sup>st</sup> IF	$47 + \alpha_p$	$77 + \alpha_p$	
	DVB-C	16 QAM		VHF/UHF	$41 + \alpha_p$	$61 + \alpha_p$	
		128 QAM			$50 + \alpha_p$	$70 + \alpha_p$	
		64 QAM			$47 + \alpha_p$	$67 + \alpha_p$	
		256 QAM			$54 + \alpha_p$	$74 + \alpha_p$	
	DVB-T COFDM	QPSK	Code rate		VHF/UHF	$26 + \alpha_n$	$74 + \alpha_n$
			1/2			$28 + \alpha_n$	$74 + \alpha_n$
			2/3			$30 + \alpha_n$	$74 + \alpha_n$
		16 QAM	Code rate			$32 + \alpha_o$	$74 + \alpha_o$
			1/2			$36 + \alpha_o$	$74 + \alpha_o$
			2/3			$39 + \alpha_o$	$74 + \alpha_o$
	64 QAM	Code rate		$42 + \alpha_n$	$74 + \alpha_n$		
		1/2		$45 + \alpha_n$	$74 + \alpha_n$		
		2/3		$48 + \alpha_n$	$74 + \alpha_n$		
		3/4		$51 + \alpha_n$	$74 + \alpha_n$		
	DVB-T2 COFDM	QPSK	Code rate		VHF/UHF	$26 + \alpha_n$	$74 + \alpha_n$
			1/2			$27 + \alpha_n$	$74 + \alpha_n$
			3/5			$28 + \alpha_n$	$74 + \alpha_n$
			2/3			$30 + \alpha_n$	$74 + \alpha_n$
3/4			$31 + \alpha_n$	$74 + \alpha_n$			
4/5			$32 + \alpha_n$	$74 + \alpha_n$			
16 QAM		Code rate		$31 + \alpha_n$		$74 + \alpha_n$	
		1/2		$33 + \alpha_n$		$74 + \alpha_n$	
		3/5		$35 + \alpha_n$		$74 + \alpha_n$	
		2/3		$36 + \alpha_n$		$74 + \alpha_n$	
64 QAM		Code rate		$36 + \alpha_n$		$74 + \alpha_n$	
		1/2		$38 + \alpha_n$		$74 + \alpha_n$	
	3/5		$40 + \alpha_n$	$74 + \alpha_n$			
	2/3		$41 + \alpha_n$	$74 + \alpha_n$			
256 QAM	Code rate		$43 + \alpha_n$	$74 + \alpha_n$			
	1/2		$44 + \alpha_n$	$74 + \alpha_n$			
	3/5		$46 + \alpha_n$	$74 + \alpha_n$			
	2/3		$48 + \alpha_n$	$74 + \alpha_n$			
	Code rate		$49 + \alpha_n$	$74 + \alpha_n$			
	1/2		$39 + \alpha_n$	$74 + \alpha_n$			
	3/5		$42 + \alpha_n$	$74 + \alpha_n$			
	2/3		$44 + \alpha_n$	$74 + \alpha_n$			
	Code rate		$46 + \alpha_n$	$74 + \alpha_n$			
	1/2		$48 + \alpha_n$	$74 + \alpha_n$			
	3/5		$49 + \alpha_n$	$74 + \alpha_n$			
	2/3		$49 + \alpha_n$	$74 + \alpha_n$			
Sound Radio	DAB	OFDM		Band III L-band	$28 + \alpha_n$	$94 + \alpha_n$	
					$28 + \alpha_p$	$84 + \alpha_p$	

### 7.2.2.2 Carrier level differences at the HNI1

The differences in carrier levels at the HNI1 shall not exceed the values given in Table 33, where *SSLP* is the maximum sectional slope in the passive coaxial home network. The maximum value of *SSLP* between HNI1 and any system outlet depends on the length and type of the cables used in the passive coaxial home network. In any case, this value shall be not higher than 5 dB in the VHF/UHF bands, 3 dB in any 60 MHz range in VHF and 1,5 dB for any adjacent television channels.

**Table 33 – Maximum level differences at HNI1**

Systems	Modulation	Frequency range	Maximum level difference dB
PAL, SECAM	AM-VSB	47 MHz to 862 MHz	12 – <i>SSLP</i>
NTSC	AM-VSB	30 MHz to 1 000 MHz	15 – <i>SSLP</i>
NTSC	AM-VSB	30 MHz to 300 MHz	12 – <i>SSLP</i>
PAL, SECAM	AM-VSB	Any 60 MHz range in VHF	6 – <i>SSLP</i>
NTSC	AM-VSB	Any 60 MHz range in VHF	8 – <i>SSLP</i>
PAL, SECAM, NTSC	AM-VSB	Adjacent channel	3 – <i>SSLP</i>
PAL, SECAM	FM	950 MHz to 2 150 MHz	15 – <i>SSLP</i>
NTSC	FM	950 MHz to 2 150 MHz	u.c.
PAL, SECAM	FM	up to 470 MHz <sup>a</sup>	15 – <i>SSLP</i>
NTSC	FM	up to 470 MHz <sup>a</sup>	u.c.
DVB-S	QPSK	950 MHz to 2 150 MHz	u.c.
DVB-S2	QPSK, 8PSK, 16APSK, 32APSK	950 MHz to 2 150 MHz	u.c.
DVB-C	64 QAM	Adjacent channel	3 – <i>SSLP</i>
DVB-C	64 QAM	Adjacent channel to AM-VSB	10 <sup>b</sup> – <i>SSLP</i>
DVB-C	128 QAM	Adjacent channel	3 – <i>SSLP</i>
DVB-C	256 QAM	Adjacent channel	3 – <i>SSLP</i>
DVB-C	256 QAM	Adjacent channel to AM-VSB	6 <sup>a</sup> – <i>SSLP</i>
DVB-T, DVB-T2	COFDM	Adjacent channel	3 – <i>SSLP</i>
DVB-T, DVB-T2	COFDM	Adjacent channel to AM-VSB	9 – <i>SSLP</i>
u.c. = under consideration			
<sup>a</sup> The value includes the possible coexistence of signals of 27 MHz bandwidth FM and 7 MHz to 8 MHz bandwidth AM-VSB which may be in the close vicinity. The levels of FM satellite channels relative to AM-VSB terrestrial channels should be 0 dB to –7 dB.			
<sup>b</sup> The 64 QAM, 256 QAM and COFDM signals shall be below the level of the adjacent AM signal.			

If FM sound signals are present at the HNI1, the level of any FM carrier shall be at least 2,5 dB lower than the lowest AM-VSB television signal level at the HNI1.

NOTE The difference applies to signals having the same type of modulation.

When equal-level FM radio signals are transmitted from the headend, then the maximum difference between these signals at HNI1 should be 5 dB.

A maximum *SSLP* of 5 dB means that, if the splitters were flat, the cable loss should not exceed 6,5 dB. In practice, this cable loss can be less, as some margin should be used for the *SSLP* of the passive equipment.

### 7.2.3 Mutual isolation between two HNI1

The minimum isolation at any frequency between any two HNI1, connected separately to a spur feeder, shall be as given in Table 34, where the requirements for system outlets are reduced by the sum of the minimum attenuation  $\alpha_{p1(\min)} + \alpha_{p2(\min)}$  introduced by each of the two passive coaxial home networks, if known, or by 4 dB to 6 dB. In any case the minimum mutual isolation between two HNI1 shall be not lower than 22 dB, to reduce the effects of impedance mismatching in the home networks.

**Table 34 – Mutual isolation between two HNI1**

Type of service	Frequency range	Mutual isolation dB
TV/TV	47 MHz to 862 MHz (7 MHz channels only or mixed 7 MHz to 8 MHz)	$42 - (\alpha_{p1(\min)} + \alpha_{p2(\min)})$
TV/TV	47 MHz to 862 MHz (8 MHz channels only)	$30 - (\alpha_{p1(\min)} + \alpha_{p2(\min)})$
TV/TV	950 MHz to 2 150 MHz	$30 - (\alpha_{p1(\min)} + \alpha_{p2(\min)})$
FM sound/FM sound	VHF	$42 - (\alpha_{p1(\min)} + \alpha_{p2(\min)})$
TV/FM sound		$50 - (\alpha_{p1(\min)} + \alpha_{p2(\min)})$

NOTE 1 For systems carrying channels chosen so that TV local oscillators do not fall within any distributed channels, the figure for mutual isolation may be reduced.

NOTE 2 In systems using a return path, the requirement cannot be fulfilled at the lower frequency of 47 MHz but at a convenient higher frequency, depending on the return path band.

NOTE 3 The recommended mutual isolation for TV/FM sound is applicable only for networks where FM sound is distributed.

### 7.2.4 Frequency response within any television channel at HNI1

#### 7.2.4.1 Amplitude response at HNI1

The amplitude response variations within any television channel present at the HNI1 shall not exceed the values given in Table 35.

**Table 35 – Amplitude response variation at HNI1**

Signal modulation	Occupied or channel bandwidth MHz	Maximum variation (peak-to-peak) dB	Maximum slope variation dB/MHz
AM-VSB television	7 or 8	1,5	0,8
FM television	27 to 36	3	1,0
QPSK (DVB-S)	37,125	7	0,5
QPSK, 8PSK, 16APSK, 32APSK (DVB-S2)	37,125	u.c.	u.c.
64 QAM (DVB-C)	8	3 <sup>a</sup>	1,3
128 QAM (DVB-C)	8	2,25	u.c.
256 QAM (DVB-C)	8	1,5	u.c.
COFDM (DVB-T, DVB-T2)	8	7,8	7,8

u.c. = under consideration

<sup>a</sup> DOCSIS/Euro-DOCSIS requires 2,5 dB at modem input because it assumes that 256 QAM is also distributed and that all kinds of impairments are present. This means that 1,5 dB is required at HNI1.

#### 7.2.4.2 Group delay at the HNI1

The group delay variation within any television channel present at the HNI1 shall not exceed the values given in Table 36.

**Table 36 – Group delay variation at HNI1**

Signal modulation	Frequency range MHz	Maximum group delay variation ns
AM-VSB television (PAL) with teletext	0,5 to 4,43	90
AM-VSB television (PAL) without teletext	0,5 to 4,43	190
QAM <sup>a</sup>	Signal bandwidth (see I.2.3)	90
OFDM	Signal bandwidth (see I.2.3)	90

<sup>a</sup> Required by DOCSIS/Euro-DOCSIS.

#### 7.2.5 Long-term frequency stability of distributed carrier signals at HNI1

The frequency stability is determined by the headend equipment (IEC 60728-5) and the figures given for headend equipment apply. At the HNI1 the maximum frequency deviation from the nominal value of the carrier frequency of the channel shall not exceed the values given for system outlets in 5.7.

#### 7.2.6 Random noise at the HNI1

At HNI1, the level of the noise voltage generated in the system in any channel shall be such that the carrier-to-noise ratio shall not be less than the values shown in Table 12 and Table 14 for system outlets. The test method for the TV carrier-to-noise ratio, given in 4.6 for system outlets, is applicable also to HNI1. For FM sound radio signals the same method can be used, but in this case, the noise bandwidth to be taken is 200 kHz. The test method for digitally modulated carriers ( $S_{D,RF}/N$ ), given in 4.11.4 for system outlets, is also applicable to HNI1.

If the main impairment is noise, and the values given in Table 12 are also applicable to MER.

#### 7.2.7 Interference to television channels at HNI1

##### 7.2.7.1 Single-frequency interference at HNI1

The requirements of 5.9.1 at the system outlet apply.

##### 7.2.7.2 Single-channel intermodulation interference at HNI1

The requirements of 5.9.2 at the system outlet apply.

##### 7.2.7.3 Multiple frequency intermodulation interference at HNI1

The requirements of 5.9.3 at the system outlet apply.

##### 7.2.7.4 Intermodulation noise at HNI1

The requirements of 5.9.4 at system outlet apply.

### 7.2.7.5 Crossmodulation at HNI1

Under consideration.

### 7.2.8 Return path requirements at HNI1

The return path requirements at HNI1 shall be defined in accordance with the requirements of IEC 60728-10. The HNI1 is taken as an additional reference point for the return path while the other reference point is located at the input of the return signal receiver (transceiver).

The requirements at HNI1 are under consideration.

## 7.3 Requirements at HNI2 for active coaxial home networks

### 7.3.1 General

The requirements listed in this subclause apply to the coaxial home network interface (HNI2) when the home network includes active equipment. Taking into account the allowed degradation of the signals in the active coaxial home network, these requirements, defined at the home network interface HNI2, are able to fulfil the requirements specified in Clause 5 at each system outlet or terminal input.

### 7.3.2 Carrier levels at the HNI2

#### 7.3.2.1 Minimum and maximum carrier levels

The maximum levels at the HNI2 shall not exceed, and the minimum levels shall be not less than, those shown in Table 37 and Table 38, where  $\beta_i$  is the increase of level at the HNI2 with respect to the level required at any system outlet. The value of  $\beta_{\min}$  is between +3 dB and +6 dB for the minimum signal level and the value of  $\beta_{\max}$  is between 0 dB and +3 dB for the maximum signal level in VHF/UHF. The value  $\beta_{\text{IF}}$  is between +1 dB and +4 dB at 1<sup>st</sup> IF for satellite reception, both for maximum and minimum signal levels.

EXAMPLE: For PAL television signals the minimum level at the HNI2 is in the range of 63 dB( $\mu$ V) to 66 dB( $\mu$ V) and the maximum level in the range of 80 dB( $\mu$ V) to 83 dB( $\mu$ V).

**Table 37 – Signal level at HNI2 (analogue signals)**

Type of service	Systems	Modulation	Frequency range	Minimum level dB( $\mu$ V)	Maximum level dB( $\mu$ V)
Television	PAL, SECAM	AM-VSB	VHF/UHF	60 <sup>a</sup> + $\beta_{\min}$	80 <sup>b</sup> + $\beta_{\max}$
	NTSC	AM-VSB	30 MHz to 300 MHz	57 + $\beta_{\min}$	83 + $\beta_{\max}$
	NTSC	AM-VSB	300 MHz to 1 000 MHz	60 + $\beta_{\min}$	83 + $\beta_{\max}$
	PAL, SECAM	FM	1 <sup>st</sup> IF	47 + $\beta_{\text{IF}}$	77 + $\beta_{\text{IF}}$
	NTSC	FM	240 MHz to 770 MHz	60 + $\beta_{\min}$	83 + $\beta_{\max}$
	NTSC	FM	1 035 MHz to 1 335 MHz	57 + $\beta_{\text{IF}}$	81 + $\beta_{\text{IF}}$
Sound Radio	Mono	FM	VHF	40 + $\beta_{\min}$	70 + $\beta_{\max}$
	Stereo	FM	VHF	50 + $\beta_{\min}$	70 + $\beta_{\max}$

<sup>a</sup> 57 dB( $\mu$ V) for systems with 8 MHz spacing only and with a C/N of 45,5 dB for system L.

<sup>b</sup> 77 dB( $\mu$ V) for systems with >20 channels load.

Table 38 – Signal level at HNI2 (digital signals)

Type of service	Systems	Modulation		Frequency range	Minimum level dB( $\mu$ V)	Maximum level dB( $\mu$ V)
Television	DVB-S	QPSK		1 <sup>st</sup> IF	$47 + \beta_{IF}$	$77 + \beta_{IF}$
	DVB-S2	QPSK, 8PSK, 16APSK, 32APSK		1 <sup>st</sup> IF	$47 + \beta_{IF}$	$77 + \beta_{IF}$
	DVB-C	16 QAM		VHF/UHF	$41 + \beta_{min}$	$61 + \beta_{max}$
		64 QAM			$47 + \beta_{min}$	$67 + \beta_{max}$
		128 QAM			$50 + \beta_{min}$	$70 + \beta_{max}$
		256 QAM			$54 + \beta_{min}$	$74 + \beta_{max}$
	DVB-T COFDM	QPSK	Code rate	VHF/UHF	$26 + \beta_{min}$	$74 + \beta_{max}$
			1/2		$28 + \beta_{min}$	$74 + \beta_{max}$
			2/3		$30 + \beta_{min}$	$74 + \beta_{max}$
	16 QAM	Code rate	$32 + \beta_{min}$	$74 + \beta_{max}$		
		1/2	$36 + \beta_{min}$	$74 + \beta_{max}$		
		2/3	$39 + \beta_{min}$	$74 + \beta_{max}$		
	64 QAM	Code rate	$42 + \beta_{min}$	$74 + \beta_{max}$		
		1/2	$45 + \beta_{min}$	$74 + \beta_{max}$		
		2/3	$48 + \beta_{min}$	$74 + \beta_{max}$		
	DVB-T2 COFDM	QPSK	Code rate	VHF/UHF	$26 + \beta_{min}$	$74 + \beta_{max}$
			1/2		$27 + \beta_{min}$	$74 + \beta_{max}$
3/5			$28 + \beta_{min}$		$74 + \beta_{max}$	
16 QAM	Code rate	$31 + \beta_{min}$	$74 + \beta_{max}$			
	1/2	$33 + \beta_{min}$	$74 + \beta_{max}$			
	2/3	$35 + \beta_{min}$	$74 + \beta_{max}$			
64 QAM	Code rate	$36 + \beta_{min}$	$74 + \beta_{max}$			
	1/2	$38 + \beta_{min}$	$74 + \beta_{max}$			
	2/3	$39 + \beta_{min}$	$74 + \beta_{max}$			
256 QAM	Code rate	$41 + \beta_{min}$	$74 + \beta_{max}$			
	1/2	$43 + \beta_{min}$	$74 + \beta_{max}$			
	2/3	$44 + \beta_{min}$	$74 + \beta_{max}$			
Sound Radio	DAB	OFDM	Band III	$28 + \beta_{min}$	$94 + \beta_{max}$	
			L-band	$28 + \beta_{IF}$	$84 + \beta_{IF}$	

### 7.3.2.2 Carrier level differences at the HNI2

The differences in carrier levels at the HNI2 shall not exceed the values given in Table 39, where *SSLA* is the maximum sectional slope in the active coaxial home network. The maximum value of *SSLA* between the HNI2 and any system outlet depends on the active and passive equipment used in the active coaxial home network. In any case this value shall not be higher than 5 dB in the VHF/UHF bands, 3 dB in any 60 MHz range in VHF and 1,5 dB in any of the adjacent channels.

**Table 39 – Maximum level differences at HNI2**

Systems	Modulation	Frequency range	Maximum level difference dB
PAL, SECAM	AM-VSB	47 MHz to 862 MHz	12 – <i>SSLA</i>
NTSC	AM-VSB	30 MHz to 1 000 MHz	15 – <i>SSLA</i>
NTSC	AM-VSB	30 MHz to 300 MHz	12 – <i>SSLA</i>
PAL, SECAM	AM-VSB	Any 60 MHz range in VHF	6 – <i>SSLA</i>
NTSC	AM-VSB	Any 60 MHz range in VHF	8 – <i>SSLA</i>
PAL, SECAM, NTSC	AM-VSB	Adjacent channel	3 – <i>SSLA</i>
PAL, SECAM	FM	950 MHz to 2 150 MHz	15 – <i>SSLA</i>
NTSC	FM	950 MHz to 2 150 MHz	u.c.
PAL, SECAM	FM	Up to 470 MHz <sup>a</sup>	15 – <i>SSLA</i>
NTSC	FM	Up to 470 MHz <sup>a)</sup>	u.c.
DVB-S	QPSK	950 MHz to 2 150 MHz	u.c.
DVB-S2	QPSK, 8PSK, 16APSK, 32APSK	950 MHz to 2 150 MHz	u.c.
DVB-C	64 QAM	Adjacent channel	3 – <i>SSLA</i>
DVB-C	64 QAM	Adjacent channel to AM-VSB	10 <sup>b</sup> – <i>SSLA</i>
DVB-C	128 QAM	Adjacent channel	3 – <i>SSLA</i>
DVB-C	256 QAM	Adjacent channel	3 – <i>SSLA</i>
DVB-C	256 QAM	Adjacent channel to AM-VSB	6 <sup>a</sup> – <i>SSLA</i>
DVB-T, DVB-T2	COFDM	Adjacent channel	3 – <i>SSLA</i>
DVB-T, DVB-T2	COFDM	Adjacent channel to AM-VSB	9 – <i>SSLA</i>
u.c. = under consideration			
<sup>a</sup> The value includes the possible coexistence of signals of 27 MHz bandwidth FM and 7 MHz to 8 MHz bandwidth AM-VSB which may be in the close vicinity. The levels of FM satellite channels relative to AM-VSB terrestrial channels should be 0 dB to –7 dB.			
<sup>b</sup> The 64 QAM, 256 QAM and COFDM signals shall be below the level of the adjacent AM signal.			

If FM sound signals are present at the HNI2, the level of any FM carrier shall be at least 3 dB lower than the lowest AM-VSB television signal level at the HNI2.

Additional remarks:

- The difference applies to signals having the same type of modulation.
- When equal level FM radio signals are transmitted from the headend, then the maximum difference between these signals at the HNI2 should be 5 dB.
- A maximum *SSLA* of 5 dB means that the active equipment may have to provide a pre-emphasis when the *SSL* of the cable and splitters exceeds 5 dB.

### 7.3.3 Mutual isolation between two HNI2

The values given in Table 34, for HNI1 also apply for HNI2, replacing  $\alpha_{pi(min)}$  with  $\beta_{i,min}$ . In any case the minimum mutual isolation between two HNI2 shall not be lower than 22 dB, to reduce the effects of impedance mismatching in the home networks.

### 7.3.4 Frequency response within any television channel at HNI2

#### 7.3.4.1 Amplitude response at HNI2

The amplitude response variations within any television channel present at HNI2 shall not exceed the values given in Table 40.

**Table 40 – Amplitude response variation at HNI2**

Signal modulation	Occupied or channel bandwidth MHz	Maximum variation (peak-to-peak) dB	Maximum slope variation dB/MHz
AM-VSB television	7 or 8	1,5	0,8
FM television	27 to 36	3	1,0
QPSK (DVB-S)	37 125	7	0,5
QPSK, 8PSK, 16APSK, 32APSK (DVB-S2)	37 125	u.c.	u.c.
64 QAM (DVB-C)	8	3 <sup>a</sup>	1,3
128 QAM (DVB-C)	8	2,25 <sup>a</sup>	u.c.
256 QAM (DVB-C)	8	1,5	u.c.
COFDM (DVB-T, DVB-T2)	8	7,8	7,8

<sup>a</sup> DOCSIS/Euro-DOCSIS requires 2,5 dB at modem input, because it assumes that 256 QAM is also distributed and that all kinds of impairments are present. This means that 1,5 dB is required at HNI2.

#### 7.3.4.2 Group delay at the HNI2

The group delay variation within any television channel present at the HNI2 shall not exceed the values given in Table 41.

**Table 41 – Group delay variation at HNI2**

Signal modulation	Frequency range MHz	Maximum group delay variation ns
AM-VSB television (PAL) with teletext	0,5 to 4,43	90
AM-VSB television (PAL) without teletext	0,5 to 4,43	190
QAM <sup>a</sup>	Signal bandwidth (see I.2.3)	90
OFDM	Signal bandwidth (see I.2.3)	90

<sup>a</sup> Required by DOCSIS/Euro-DOCSIS.

### 7.3.5 Long-term frequency stability of distributed carrier signals at HNI2

The frequency stability is determined by the headend equipment (IEC 60728-5) and the figures given for headend equipment apply. At HNI2, the maximum frequency deviation from the nominal value of the carrier frequency of the channel shall not exceed the values given for system outlets in 5.7.

### 7.3.6 Random noise at HNI2

At HNI2, the level of the noise voltage generated in the system in any channel shall be such that the carrier-to-noise ratio shall not be less than the values shown in Table 42, Table 43 and Table 44. The test method for TV carrier-to-noise ratio, given in 4.6 for system outlets, is also applicable to HNI2. For FM sound radio signals the same method can be used, but in this case, the noise bandwidth to be taken is 200 kHz. The test method for digitally modulated carriers ( $S_{D,RF}/N$ ), given in 4.11.4 for system outlets, is also applicable to HNI2.

The values given in Table 42 and Table 43 assume that the random noise contribution of the active network shall be such that the  $C/N$  measured at any system outlet, with an unimpaired signal at the input of the home network, is higher than 51 dB ( $BW = 4,75$  MHz for PAL) in the VHF/UHF bands (47 MHz to 862 MHz) and higher than 29 dB in the 1<sup>st</sup> IF band (950 MHz to 2 150 MHz).

For VHF/UHF the system outlet level shall always be at least 60 dB( $\mu$ V).

**Table 42 – Carrier-to-noise ratios at HNI2 (analogue television)**

Systems	Modulation	Minimum carrier-to-noise ratio $C/N$ dB	Equivalent noise bandwidth $BW$
			MHz
I	AM-VSB	45	5,08
B, G, D1		45	4,75
L		45,5 <sup>a</sup>	5,00
D, K		45	5,75
NTSC		44	4,00
M		43	u.c.
PAL, SECAM	FM	15,2	27
NTSC	FM	14,2	

<sup>a</sup> This value is consistent with the HNI1 specification for the (worst) case of 57 dB( $\mu$ V) at system outlet. The minimum level at the system outlet for the case of the active coaxial home network shall be at least 60 dB( $\mu$ V), and a minimum level of 63 dB( $\mu$ V) at system outlet is strongly recommended.

Table 43 – RF signal-to-noise ratios at HNI2 (digital television)

Systems	Modulation		Minimum RF signal-to-noise ratio $S_{D,RF}/N$				Equivalent noise bandwidth $BW$ MHz
			dB				
DVB-S	QPSK	Code rate					Independent of bandwidth
		1/2	10,9				
		2/3	12,8				
		3/4	13,9				
		5/6	14,9				
		7/8	15,6				
DVB-S2	QPSK 8PSK 16APSK 32APSK <sup>c</sup>	Code rate	QPSK	8PSK	16APK	32APK	Independent of bandwidth
		1/4	6,0	–	–	–	
		1/3	7,1	–	–	–	
		2/5	8,0	–	–	–	
		1/2	9,3	–	–	–	
		3/5	10,6	13,8	–	–	
		2/3	11,4	14,9	17,3	–	
		3/4	12,3	16,2	18,5	21,1	
		4/5	13,0	–	19,4	22,0	
		5/6	13,5	17,7	19,9	22,6	
		8/9	14,5	19,0	21,2	24,0	
		9/10	14,7	19,3	21,5	24,4	
DVB-C	16 QAM		23 <sup>a</sup>				Independent of bandwidth
	64 QAM		29 <sup>a</sup>				
	128 QAM		32 <sup>a</sup>				
	256 QAM		35 <sup>a</sup>				
DVB-T COFDM	QPSK <sup>b</sup>	Code rate	2 k mode		8 k mode		Independent of bandwidth
		1/2	11		12		
		2/3	14		15		
		3/4	16		17		
		5/6	19		20		
		7/8	22		23		
	16 QAM <sup>b</sup>	Code rate	2 k mode		8 k mode		Independent of bandwidth
		1/2	19		20		
		2/3	22		23		
		3/4	24		25		
		5/6	27		27		
		7/8	29		30		
64 QAM <sup>b</sup>	Code rate	2 k mode		8 k mode		Independent of bandwidth	
	1/2	23		24			
	2/3	27		28			
	3/4	29		30			
	5/6	31		32			
	7/8	33		34			
<sup>a</sup> The above values take into account simultaneous distribution of analogue and digital signals. These values assume that there is no intermodulation noise or that it can be neglected and a <i>BER</i> of $10^{-4}$ before Reed-Solomon decoder is achieved							
<sup>b</sup> These values take white noise and impulse noise into account.							
<sup>c</sup> These values are calculated according to ETSI EN 302 307/V1.3.1:2012), Table 13 and Table I.1, and are intended for a <i>PER</i> of $10^{-7}$ after LDPC and BCH decoders.							

**Table 43** (continued)

Systems	Modulation		Minimum RF signal-to-noise ratio $S_{D,RF}/N$		Equivalent noise bandwidth $BW$ MHz
			dB		
DVB-T2 COFDM	QPSK	Code rate	LDPC b.l. <sup>a</sup> : 16 200 bit	LDPC b.l. <sup>a</sup> : 64 800 bit	Independent of bandwidth
		1/2	12,2	13,2	
		3/5	13,5	14,5	
		2/3	14,4	15,4	
		3/4	15,4	16,4	
		4/5	16,1	17,1	
	5/6	16,6	17,6		
	16 QAM	Code rate	LDPC b.l. <sup>a</sup> : 16 200 bit	LDPC b.l. <sup>a</sup> : 64 800 bit	Independent of bandwidth
		1/2	17,2	18,2	
		3/5	18,8	19,8	
		2/3	20,1	21,1	
		3/4	21,4	22,4	
		4/5	22,2	23,2	
	5/6	22,8	23,8		
	64 QAM	Code rate	LDPC b.l. <sup>a</sup> : 16 200 bit	LDPC b.l. <sup>a</sup> : 64 800 bit	Independent of bandwidth
		1/2	21,2	22,2	
3/5		23,3	24,3		
2/3		24,8	25,8		
3/4		26,4	27,4		
4/5		27,6	28,6		
5/6	28,2	29,2			
256 QAM	Code rate	LDPC b.l. <sup>a</sup> : 16 200 bit	LDPC b.l. <sup>a</sup> : 64 800 bit	Independent of bandwidth	
	1/2	24,6	25,6		
	3/5	27,3	28,3		
	2/3	29,1	30,1		
	3/4	31,3	32,3		
	4/5	32,7	33,7		
5/6	33,4	34,4			

<sup>a</sup> LDPC b.l. = LDPC block length

**Table 44 – Carrier-to-noise ratios at HNI2 (sound radio)**

Systems	Modulation	Minimum carrier-to-noise ratio dB	Equivalent noise bandwidth $BW$ MHz
Mono	FM	39 (PAL-, SECAM-countries)	0,2
		42 (NTSC countries)	
Stereo	FM	50 (PAL-, SECAM- countries)	0,2
		53 (NTSC countries)	

If the minimum carrier levels at system outlet of the home network for AM-VSB modulated signals are increased to 66 dB( $\mu$ V), then the system outlet carrier-to-noise ratios are also applicable to HNI2.

### 7.3.7 Interference to television channels at the HNI2

#### 7.3.7.1 Single-frequency interference at HNI2

This subclause refers to single-frequency interference, which may result from intermodulation or the presence of other interfering signals (for example, local oscillators, ingress signals). At the HNI2 the level of any unwanted signal within the system shall be such that the lowest carrier-to-interference ratio within a wanted television channel shall be not less than

- 59 dB for AM signals,
- 35 dB for FM signals,
- 37 dB for DVB-64 QAM signals,
- 14 dB for DVB-QPSK signals,
- under consideration for DVB-16 QAM and -256 QAM.

Where a frequency assignment, taking account of known future off-air and distributed channels, is adopted so that interference signals fall only in the less sensitive areas of the television channel spectrum, a limit lower than that given above is acceptable (see curves given in Figure 10 to Figure 13). The test methods given in 4.5.2 for system outlets are also applicable to HNI2.

The values given above assume that the intermodulation contribution of the active coaxial home network shall be such that the *C/I* measured within a wanted television channel at any outlet, with an unimpaired signal at the input of the home network, is higher than 71 dB for AM-VSB signals in the VHF/UHF bands (47 MHz to 862 MHz) and higher than 32 dB in the 1<sup>st</sup> IF band (950 MHz to 2 150 MHz).

NOTE 1 If the intermodulation contribution of the active network is higher than 76 dB in the VHF/UHF bands (47 MHz to 862 MHz) and higher than 35 dB in the 1<sup>st</sup> IF band (950 MHz to 2 150 MHz), the above values of carrier-to-interference ratio can be decreased by 1 dB.

NOTE 2 Special precautions may be needed when the dual sound channel is carried in a lower adjacent channel to avoid interference between the additional sub-carrier and the lower vestigial sideband of the adjacent channel.

#### 7.3.7.2 Single-channel intermodulation interference at HNI2

In this special case of single frequency interference, the ratio of the reference level relative to the interference signal shall not be less than 56 dB.

NOTE 3 This subclause does not apply to television channels carrying DVB signals.

#### 7.3.7.3 Multiple frequency intermodulation interference at HNI2

At HNI2, the level of the multiple frequency intermodulation interference, in any wanted television channel, shall be such that the carrier-to-interference ratio shall be not less than

- 59 dB for each cluster of composite beats in negative modulation,
- 53 dB for each cluster of composite beats in positive modulation and 51 dB for the weighted sum of beats,
- 54 dB for negative modulation and 52 dB for positive modulation for the summed clusters, calculated according to the method of measurement given in 4.5.3 for system outlets and applicable also to HNI2,
- 39 dB for the sum of all clusters falling within a DVB – 64 QAM channel,
- 15 dB for DVB-QPSK,
- under consideration for FM television, DVB-OFDM and DVB-256 QAM.

The values given above assume that the intermodulation contribution of the active coaxial home network shall be such that the carrier-to-multiple-frequency interference, in any wanted television channel, measured at any outlet, with an unimpaired signal at the input of the home

network, is higher than 71 dB in the VHF/UHF bands (47 MHz to 862 MHz) and higher than 32 dB in the 1<sup>st</sup> IF band (950 MHz to 2 150 MHz).

NOTE 1 If the intermodulation contribution of the active network is higher than 76 dB in the VHF/UHF bands (47 MHz to 862 MHz) and higher than 35 dB in the 1<sup>st</sup> IF band (950 MHz to 2 150 MHz), the above values of carrier-to-interference ratio can be decreased by 1 dB.

NOTE 2 When coherent carriers are used, then lower limits are acceptable.

Because intermodulation products between multiple, closely spaced, digital TV channels are similar to random noise, this intermodulation should be taken into account in the carrier-to-noise measurements.

#### 7.3.7.4 Crossmodulation at HNI2

Under consideration.

#### 7.3.8 Return path requirements at HNI2

The return path requirements at HNI2 shall be defined in accordance with the requirements of IEC 60728-10. The HNI2 is taken as an additional reference point for the return path while the other reference point is located at the input of the return signal receiver (transceiver).

The requirements at HNI2 are under consideration.

### 7.4 Requirements at HNI3 and at system outlet or terminal input when the home network is mainly of balanced type

#### 7.4.1 Overview

There are two different types of home networks made mainly of balanced type pair cables, as stated below.

- Case A with a balanced pair connector at the system outlet and an external transformer device (balun: balanced to unbalanced transformer) terminated on the coaxial receiver input (Figure 46 – HNI3 case A).
- Case B with a coaxial outlet and a coaxial receiver lead complying with IEC 60966-2-4, IEC 60966-2-5 and IEC 60966-2-6 (Figure 46 – HNI3 case B).

In the four-pair cables, the pair (7,8) is reserved for television and interactive services in the HF, VHF and UHF bands.

In case A FM radio may be delivered on pairs other than the pair (7-8) of the four-pair cables on a balanced 100  $\Omega$  interface.

In case A with four-pair cables, some of the pairs may be used for monitoring the load and the RF carrier levels (for example, with a coupler feeding the upstream on pairs 3-6 and a DC loop back on pair 4-5). Detailed specifications of these systems are under consideration.

#### 7.4.2 Requirements at HNI3

All requirements set for HNI2 apply also to HNI3. Additional requirements at HNI3 for upstream transmission can be found in 7.4.4.

The values in Table 42 assume that, in the VHF/UHF bands (47 MHz to 862 MHz), the random noise contribution of the active network including all crosstalk effects shall be such that at any terminal input or system outlet, with an unimpaired signal at the input of the home network, the *C/N* measured is higher than 51 dB (noise bandwidth = 4,75 MHz for PAL) and the carrier-to-multiple-frequency interference is higher than 71 dB.

Return loss requirements are, on both sides of the HNI3 (i.e. in the downstream and upstream sense), 14 dB from 5 MHz to 65 MHz, 12 dB from 120 MHz to 470 MHz and 10 dB from 470 MHz to 862 MHz.

### 7.4.3 Requirements at system output

The performance requirements according to Clause 5 apply also at the coaxial system outlet (Figure 46 – HNI3 case B) or at the coaxial terminal input (Figure 46 – HNI3 case A) except the minimum signal levels, which are defined in Table 45.

**Table 45 – Minimum signal level at coaxial terminal input (case A)  
or at coaxial system outlet (case B)**

Service	System	Modulation	Case A dB( $\mu$ V)	Case B dB( $\mu$ V)
Television	PAL/SECAM	AM-VSB	60	61
	DVB-C	64 QAM	47	48
	DVB-C	128QAM	50	51
	DVB-C	256 QAM	54	55
	DVB-T, DVB-T2		45	46
Sound Radio	Stereo	FM	50	51
	DAB		28	29

Return loss requirements are 14 dB from 5 MHz to 65 MHz, 12 dB from 120 MHz to 470 MHz and 10 dB from 470 MHz to 862 MHz.

In the case of home networks with balanced pair cabling, all kinds of crosstalk (NEXT, FEXT, exogenous crosstalk) are included in the relevant requirements of carrier-to-noise, carrier-to-spurious, carrier-to-interference or carrier-to-composite beats (for example, the C/N requirement of 51 dB can be divided between the amplifier and the crosstalk, with a requirement of 54 dB for each of them).

NOTE The requirement on signal levels is designed to reduce the overall contribution to noise of the terminal receiver. A revision of the C/N requirement is under consideration.

Note that this requirement on noise, with known cat6 and cat7 (class E and class F) specifications prohibit simultaneous use of two pairs for Ethernet 10/100BaseT and of pairs 7-8 for HF, VHF and UHF television sound and interactive services, unless system output levels are near the maximum permitted output levels.

It is reminded that on lengths of cables of some metres or tens of metres, the effect of near-end crosstalk is quite significantly enhanced in VHF by a variety of cases like impedance mismatches and FEXT.

### 7.4.4 Additional requirements at HNI3 for upstream transmission

Upstream transmission from the system outlet shall be unimpaired, and the DOCSIS/Euro DOCSIS requirement of 72 dB carrier to spurious shall be met at HNI3, despite all kinds of crosstalk.

Note that this requirement on noise and spurious may prohibit simultaneous use of two pairs for Ethernet 10/100BaseT and of pairs 7-8 for HF, VHF and UHF television sound and interactive services with upstream in the 5 MHz to 65 MHz band.

### **7.5 Requirements at HNI3 (Case C)**

This home network uses optical fibres. The first electrical-to-optical (E/O) interface is placed at the HNI3 and others in the reverse direction, optical-to-electrical (O/E), are present at each place where the terminal equipment is connected.

The requirements indicated for HNI2 in respect to the electrical signal level and the other quality parameters (carrier level differences, frequency response, random noise, interference to television channels, etc.) apply also to HNI3, Case C.

The requirements at system outlet, laid down in Clause 5 apply also at system outlets of home networks incorporating fibre optic transmission (Case C).

### **7.6 Requirements at HNI3 (Case D)**

This home network uses many types of link to carry signals up to the digital audio/video and data input of the terminal equipment. This case D needs a terminating box (NTU) after the HNI.

The requirements indicated for HNI2 in respect to the electrical signal level and the other quality parameters (carrier level differences, frequency response, random noise, interference to television channels, etc.), apply also to HNI3, Case D.

The requirements at the video/audio and data interfaces are under consideration.

## **Annex A** (informative)

### **Reception of television signals**

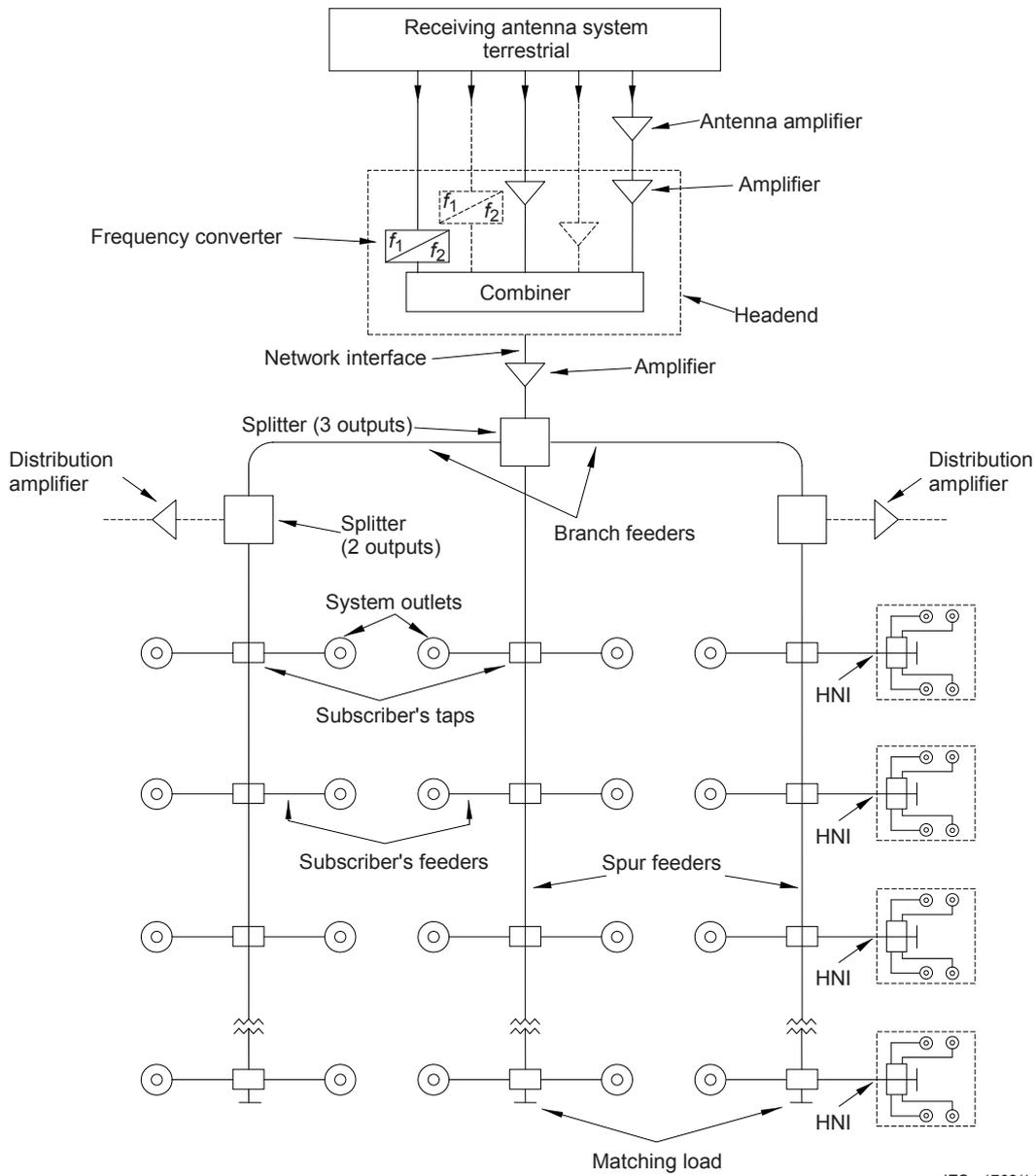
The reception of television signals inside a building requires an outdoor antenna and a distribution network to convey the signal to the TV receivers.

The installation of an outdoor antenna for each TV receiver should be avoided for several obvious technical, economical and practical reasons.

In a building divided into apartment blocks, the installation of a master antenna television system for terrestrial (MATV) and/or satellite (SMATV) reception, as shown in Figure A.1, Figure A.2, Figure A.3, Figure A.4 and Figure A.5, describing as an example the various parts of the system, is usual. Most of the terms used in the IEC 60728 series of standards can be referred to these figures.

When signals to be conveyed to the TV receivers are picked up far away, for geographical reasons, and the number of users (subscribers) is very high, the installation of a cable network using coaxial cables and/or fibre optic cables is used, as indicated in Figure A.4, describing as an example the various parts of the system.

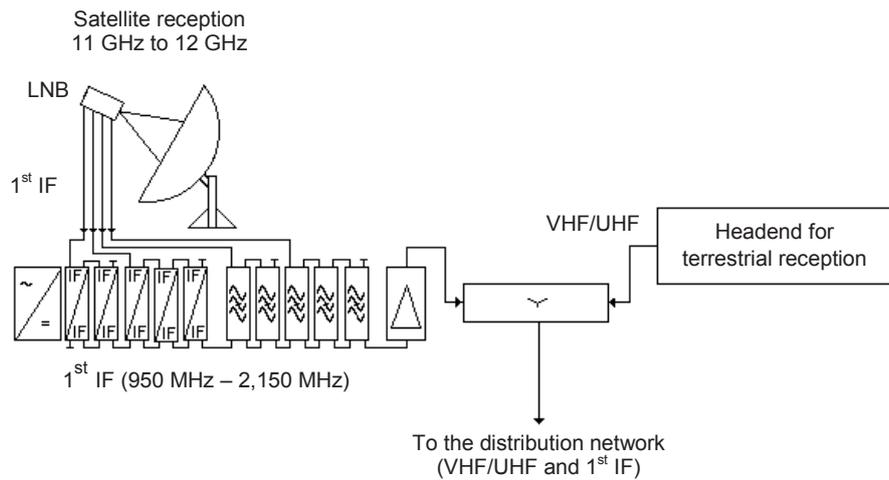
A system model of a cable network is shown in Figure A.5, where the main parts of the systems are indicated, as defined in Clause 3.



IEC 1768/14

Some apartments (dwelling units) are served with a home network (HN), interfaced to the MATV system by the Home Network Interface (HNI).

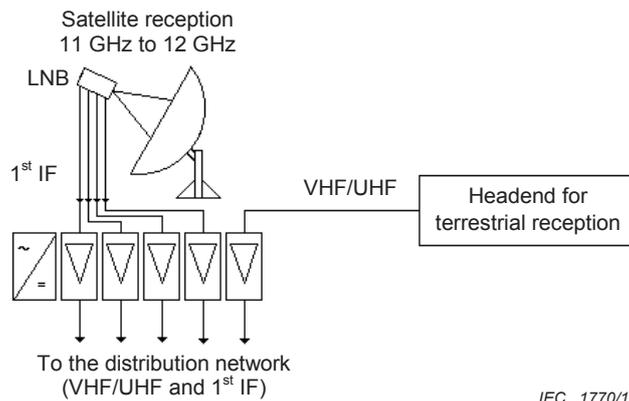
**Figure A.1 – Example of a master antenna television system (MATV) for terrestrial reception**



IEC 1769/14

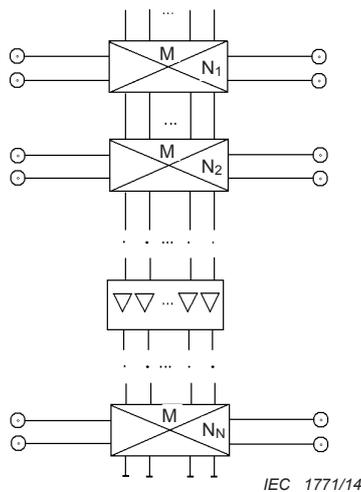
NOTE Distribution at the 1<sup>st</sup> IF on the same cable as terrestrial VHF/UHF channels.

**Figure A.2 – Example of the headend of a master antenna television system for satellite (SMATV) reception**

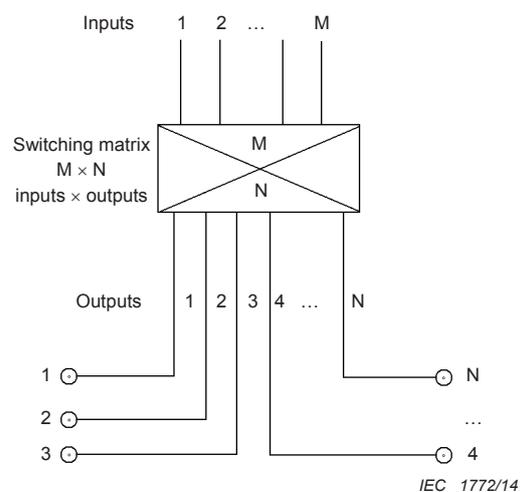


IEC 1770/14

**Figure A.3a – Headend for terrestrial and satellite reception using multicable distribution**



**Figure A.3b – Distribution with switching matrix at each flat**



**Figure A.3c – Distribution with switching matrix – Star configuration**

NOTE Distribution at the 1<sup>st</sup> IF using multicable and multi-switch techniques.

**Figure A.3 – Example of a master antenna television system for terrestrial and satellite (SMATV) reception**

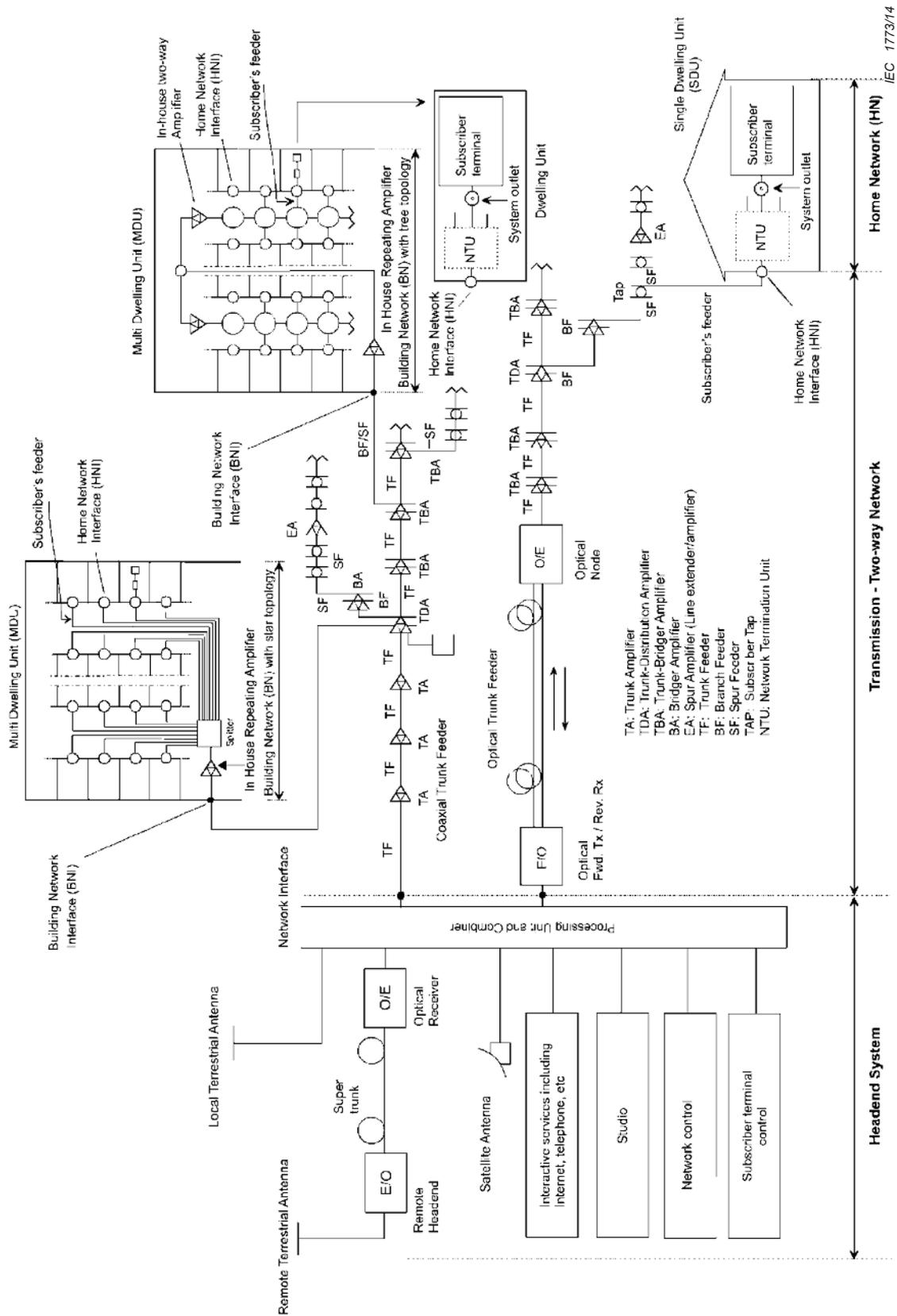


Figure A.4 – Example of a cabled distribution system for television and sound signals

IEC 1773/14

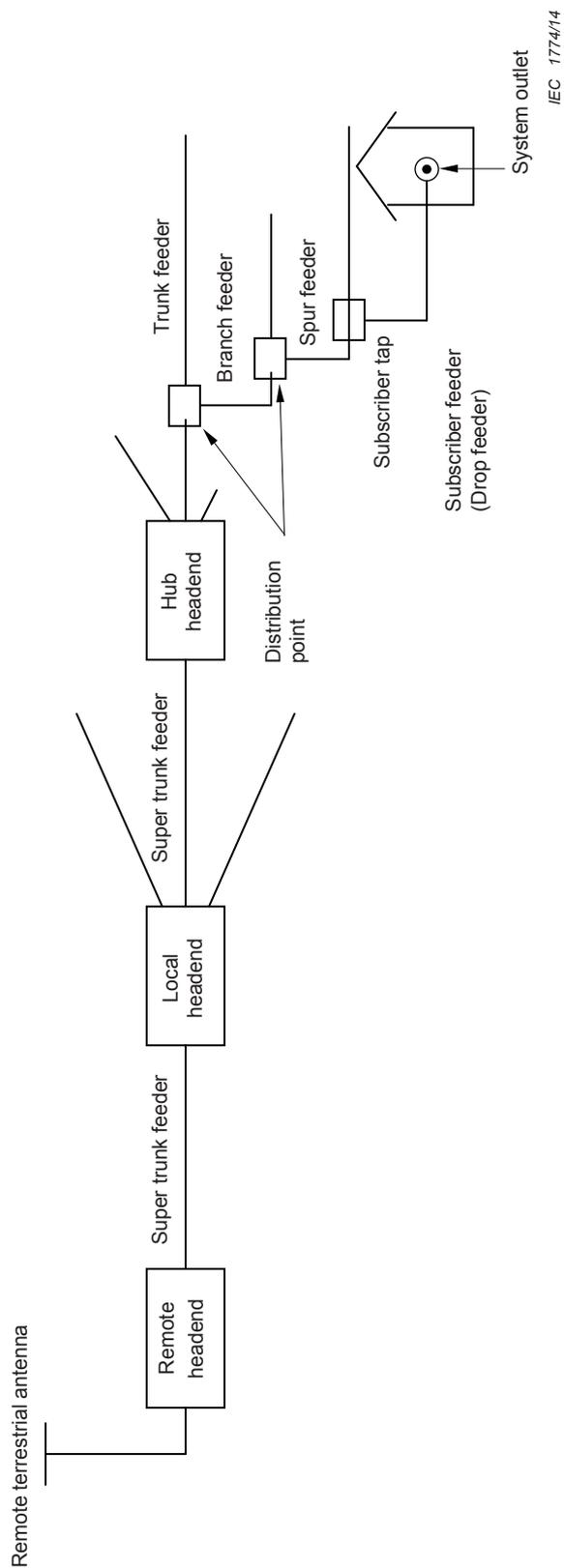


Figure A.5 – System model for downstream direction of a cable network for television and sound signals (CATV)

## Annex B (normative)

### Calibration of modulation depth

#### B.1 Equipment required

The following equipment is required.

- A signal generator,  $G_2$ , capable of being tuned to within about 10 MHz of the test frequency.
- A balanced wideband mixer suitable for the test frequencies.
- An oscilloscope suitable for a frequency of around 10 MHz.
- A low-pass filter with a cut-off frequency of about 15 MHz if required.

#### B.2 Connection of the equipment

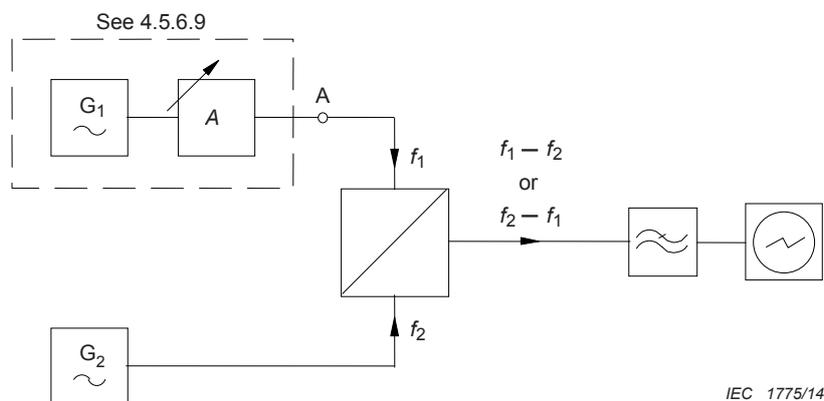
The equipment shall be connected as in Figure B.1.

#### B.3 Calibration procedure

The calibration procedure is as follows.

- Set the signal generator  $G_1$  to the test frequency  $f_1$  and the modulation of the carrier to an indicated depth of 10 %.
- Set the signal generator  $G_2$  to  $f_1 \pm 10$  MHz.
- Adjust the attenuator to ensure correct operation of the mixer and a convenient display on the oscilloscope.

The actual modulation depth is then determined from the oscilloscope display. If necessary, the modulation depth is then readjusted to the required 10 % and the calibration correction noted.



IEC 1775/14

Figure B.1 – Calibration of modulation depth

## **Annex C** (normative)

### **Equipment required – Additional items**

#### **C.1 Measuring receiver preamplifier**

If the sensitivity of the measuring receiver is not adequate for the levels of noise expected at the point of measurement, a suitable preamplifier of the correct input impedance and flat response over the channel to be measured will be necessary. This preamplifier should be included as part of the measuring equipment when making the checks described in Annex D.

#### **C.2 Measuring receiver input filter**

If the selectivity of the measuring receiver is not adequate to reduce to an insignificant level the effects of "out-of-channel" signals on the measurement of the noise voltage, a suitable filter having a flat response over the channel to be measured will be required, as shown in Figure 23.

In this case, it is important that the matching between the filter and the preceding equipment shall be such that it results in a return loss ratio of not less than 20 dB within the frequency range of the channel to be measured, and that the whole measuring equipment shall satisfy all the requirements of Annex D.

Where this is in doubt, an attenuator of sufficient value to satisfy this requirement should be included, as shown in Figure 23.

## **Annex D** (normative)

### **Preliminary checks on the measuring equipment for carrier-to-noise ratio**

#### **D.1 Noise**

With the input to the measuring equipment terminated and the variable attenuator set to zero, tune the measuring receiver over the frequency range of interest and check that the reading remains negligible relative to that expected when measuring the system noise.

#### **D.2 Intermodulation**

Connect signals, corresponding to those, which will be present at the point of measurement, via a matched directional coupler, to the measuring equipment. Tune the meter to any significant intermodulation products and note the lowest value of the signal/intermodulation ratio within the channel being considered.

This ratio should exceed the minimum carrier-to-noise ratio expected at the point of measurement by an amount relevant to the accuracy desired. For example, 20 dB would result in an error of less than 1 dB.

If this requirement is not met, an appropriate channel pass-band filter to attenuate one of the signals should be included as indicated in Figure 23, and the checks indicated in Clause D.1 and Clause D.2 should be repeated.

NOTE This check relating to intermodulation is necessary only if automatic level control (ALC) pilot signals or other signals are present during the carrier-to-noise ratio tests.

#### **D.3 Overload**

Connect signals as in Clause D.2 and attenuate one of them to a level comparable with that of the noise voltage expected at the point of measurement. Tune the meter to the low-level signal. Tune the low-level signal and the meter in step over the frequency range of the channel to be measured and check that the meter reading does not change when the high-level signals are switched off and on.

If this requirement is not met, a filter to attenuate one or more of the signals should be included as indicated in Figure 23 and all the above checks should be repeated as mentioned in Clause D.2.

## **Annex E** (normative)

### **Correction factors**

#### **E.1 Level correction factor $C_m$**

If a measuring receiver responding to the average value of the applied voltage but calibrated in RMS values (assuming a sinusoidal input signal) is employed, it will indicate a level approximately 1 dB below the RMS value of the applied noise voltage in its noise bandwidth. In this instance  $C_m$  may be taken as 1 dB.

If a measuring receiver of the peak reading type is used, a correction appropriate to the particular instrument shall be employed as  $C_m$ .

#### **E.2 Bandwidth correction factor $C_b$**

This correction factor takes into account the difference between the noise bandwidth of the measuring receiver  $B_m$  and that of the appropriate television system  $B_{TV}$ .

$$C_b = 10 \lg \frac{B_{TV}}{B_m} \quad \text{in dB}$$

## Annex F (normative)

### Calibration of the measuring receiver

A well-matched noise generator is required, having a known bandwidth  $B_g$  (see NOTE 1) much higher than the bandwidth of the receiver to be calibrated, and an output voltage of known RMS value  $U_g$  sufficient to give a convenient reading on the measuring receiver.

The measuring receiver is connected to the noise generator (see NOTE 2) and tuned to a test frequency within the noise bandwidth of the noise generator. The true RMS voltage  $U_m$  is measured (see Annex E). The noise bandwidth of the measuring receiver  $B_m$  is given by

$$B_m = B_g (U_m/U_g)^2$$

where

$B_m$  and  $B_g$  are in the same units, for example, megahertz;

$U_m$  and  $U_g$  are in the same units, for example, microvolts.

This procedure is repeated at each test frequency.

NOTE 1  $B_g$  will usually be taken as 1 MHz and  $U_g$  is calculated for this bandwidth from information provided by the manufacturer of the noise generator.

NOTE 2 The noise generator may consist of a noise diode source followed by an appropriate amplifier.

## Annex G (normative)

### Correction factors for noise

#### G.1 Signal level measurement

When measuring a signal level, the contribution of noise can be taken into account by reducing the measured signal level  $S_m$  by an amount  $CF$  that depends on the difference  $D$  between the measured signal  $S_m$  and noise  $N_m$  levels.

Firstly calculate the difference  $D$ :

$$D = S_m - N_m$$

then, from Table G.1 or Figure G.1 derive the correction factor  $CF$  and apply it to obtain the signal level  $S$  using the following formula:

$$S = S_m - CF$$

#### G.2 Noise level measurement

When measuring a noise level, the contribution of the measuring equipment noise can be taken into account by reducing the measured noise level by an amount given by the correction factor  $CF$  indicated in Table G.1 and Figure G.1, that depends on the difference  $D$  between the noise level  $N_m$  measured when the measuring equipment is connected to the system or equipment under test and the  $N_{EUT}$  measured when the input of the measuring equipment is terminated on its characteristic impedance.

Firstly, calculate the difference  $D$ :

$$D = N_m - N_{EUT}$$

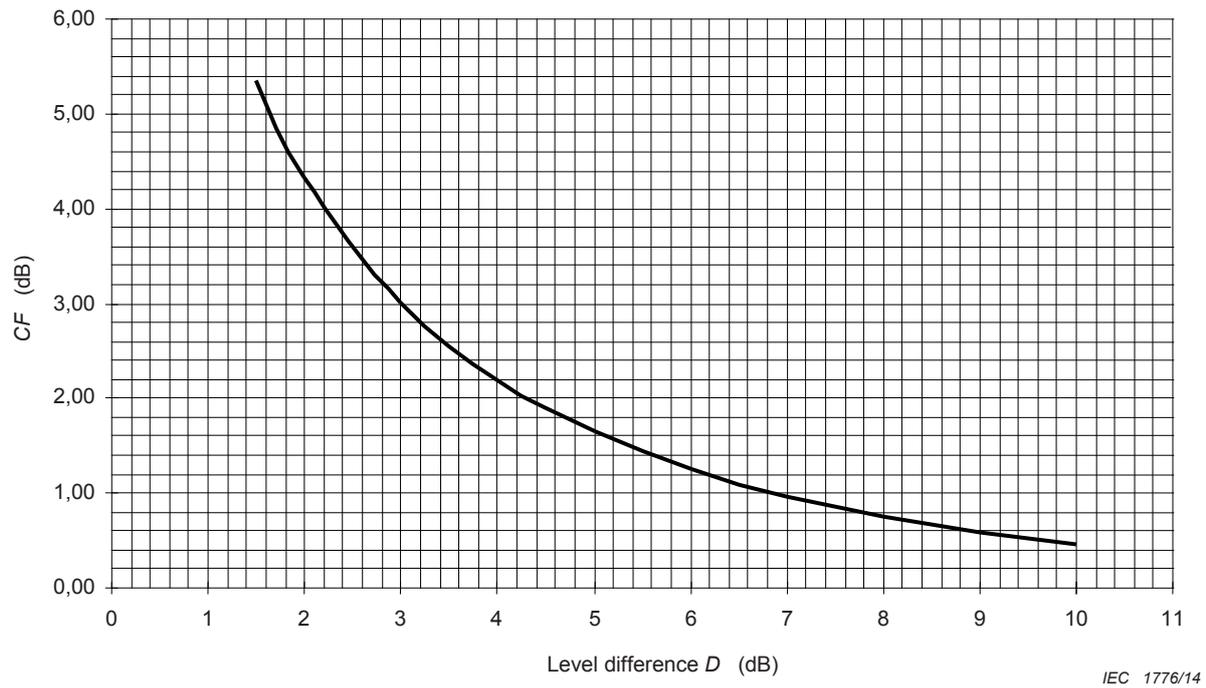
then from Table G.1 or Figure G.1 derive the correction factor  $CF$  and apply it to obtain the noise level  $N$  using the following formula:

$$N = N_m - CF$$

NOTE If the level difference  $D$  is lower than 2 dB, the reliability of the measurement becomes very low due to the high value of the correction factor  $CF$ .

**Table G.1 – Noise correction factor**

Level difference $D$ dB	Correction factor $CF$ dB	Level difference $D$ dB	Correction factor $CF$ dB
1,5	5,35	6,0	1,26
2,0	4,33	7,0	0,97
3,0	3,02	8,0	0,75
4,0	2,20	9,0	0,58
5,0	1,65	10,0	0,46



**Figure G.1 – Noise correction factor  $CF$  versus measured level difference  $D$**

## Annex H (normative)

### Null packet and PRBS definitions

#### H.1 Null packet definition

The null packet definition from ISO/IEC 13818-1:2007 is extended for the purpose of the recommended test mode.

ISO/IEC 13818-1:2007 defines a null transport stream packet for the purpose of data rate stuffing.

Table H.1 shows the structure of a null transport stream packet using the method of describing bit stream syntax defined in 2.3 of ISO/IEC 13818-1:2007.

This description is derived from Table 2-2 in ISO/IEC 13818-1:2007. The abbreviation "bslbf" means "bit string, left bit first", and "uimsbf" means "unsigned integer, most significant bit first".

The column titled "Value", gives the bit sequence for the recommended null packet.

A null packet is defined by ISO/IEC 13818-1:2007 as having:

- **payload\_unit\_start\_indicator** = '0';
- **PID** = 0x1FFF;
- **transport\_scrambling\_control** = '00';
- **adaptation\_field\_control** value = '01'. This corresponds to the case "no adaptation field, payload only".

The remaining fields in the null packet that shall be defined for testing purposes are:

- **transport\_error\_indicator** which is '0' unless the packet is corrupted: for testing purposes this bit is defined as '0' when the packet is generated;
- **transport\_priority** which is not defined by ISO/IEC 13818-1:2007 for null packet. For testing purposes this bit is defined as '0';
- **continuity\_counter** which ISO/IEC 13818-1:2007 states is undefined for a null packet. For testing purposes this bit field is defined as '0000';
- **data\_byte** which ISO/IEC 13818-1:2007 states may have any value in a null packet. For testing purposes this bit field is defined as '00000000'.

**Table H.1 – Null transport stream packet definition**

Syntax	No of bits	Identifier	Value
<pre> null_transport_packet(){ <b>sync_byte</b> <b>transport_error_indicator</b> <b>payload_unit_start_indicator</b> <b>transport_priority</b> <b>PID</b> <b>transport_scrambling_control</b> <b>adaptation_field_control</b> <b>continuity_counter</b> for (i=0;i&lt;N;i++){ <b>data_byte</b> } } </pre>	<p>8</p> <p>1</p> <p>1</p> <p>1</p> <p>13</p> <p>2</p> <p>2</p> <p>4</p> <p>8</p>	<p>bslbf</p> <p>bslbf</p> <p>bslbf</p> <p>bslbf</p> <p>uimbsf</p> <p>bslbf</p> <p>bslbf</p> <p>uimbsf</p> <p>bslbf</p>	<p>'01000111'</p> <p>'0'</p> <p>'0'</p> <p>'0'</p> <p>'11111111111111'</p> <p>'00'</p> <p>'01'</p> <p>'0000'</p> <p>'00000000'</p>

## H.2 PRBS definition

A PRBS (pseudo random binary sequence) generator can be used instead of a null packet generator. A PRBS of  $10^{23}-1$  inverted is recommended.

## Annex I (normative)

### Digital signal level and bandwidth

#### I.1 RF/IF power (carrier)

When describing the QAM signals employed by DVB-C or the QPSK signals employed by DVB-S, it is common to refer to the modulated RF/IF signal as "carrier" C, mainly to distinguish it from "signal" S which is generally used to refer to the baseband demodulated signal.

Strictly, it is incorrect to describe this signal as "carrier" because QAM and QPSK (which is equivalent to 4-state QAM) are suppressed carrier modulation schemes. For OFDM, with thousands of suppressed carriers and assorted pilot tones, the label "carrier" is even more inappropriate.

Therefore, the term "wanted information power" should be more appropriately used to consider the "RF/IF power" in the transmitted channel, but most engineers and technical people involved in CATV work will continue to use the term "carrier" for this parameter, particularly when talking about the "carrier"-to-noise ratio.

The "carrier", or the "RF/IF power", is the total power of the modulated RF/IF signal as would be measured by a thermal power sensor in the absence of any other signals (including noise).

If the measuring set is able to measure the power in a small part of the channel spectrum, the total power can be obtained taking into account the bandwidth of the channel or what is called equivalent signal bandwidth of the digital channel.

#### I.2 Bandwidth of a digital signal

##### I.2.1 Occupied bandwidth

###### a) QAM/PSK modulation

For DVB systems using the QAM/PSK modulation the passband spectrum is shaped by root raised cosine filtering with a roll-off factor ( $\alpha$ ) of

- 0,15 for DVB-C systems (QAM),
- 0,18 (ITU-T J.83:2007, Annex B) USA (QAM),
- 0,13 (ITU-T J.83:2007, Annex C) Japan (QAM),
- 0,35 for DVB-S systems (QPSK).

For an ideal QAM/PSK system, this means that all the RF/IF power will lie in the frequency band

$$f_C \pm (1 + \alpha) \cdot f_S / 2$$

where

$f_C$  is the carrier frequency;

$f_S$  is the symbol rate of the modulation;

$\alpha$  is the filter roll-off factor.

This means that the occupied bandwidth is given by the formula:

$$BW_{\text{OCC(QAM/PSK)}} = (1 + \alpha) f_S \quad (\text{H.1})$$

The RF/IF power (or carrier) is the total power in this rectangular bandwidth, with no further filtering applied. This bandwidth is used to define the channel width, the transponder bandwidth, and so on. The formula above can be used to obtain the useable symbol rate in a given channel bandwidth:

$$f_S = BW_{\text{OCC}} / (1 + \alpha).$$

#### b) OFDM modulation

For DVB systems using OFDM modulation the definition of occupied bandwidth is expressed differently because of the radically different modulation technique, although the principle is very similar. The OFDM "shoulders" are not considered to be wanted information power, and are not included in the RF/IF power calculation, even though the power does actually come out of the transmitter:

$$BW_{\text{OCC(OFDM)}} = n \times f_{\text{SPACING}} \quad (\text{H.2})$$

where

$n = 6\,817$ (8 k mode) and $f_{\text{SPACING}} = 1\,116$ Hz (8 k mode)	(DVB-T)
$n = 1\,705$ (2 k mode) and $f_{\text{SPACING}} = 4\,464$ Hz (2 k mode)	(DVB-T)
$n = 5\,617$ (mode 3) and $f_{\text{SPACING}} = 992$ Hz (mode 3)	(ISDB-T) Japan
$n = 2\,809$ (mode 2) and $f_{\text{SPACING}} = 1\,984$ Hz (mode 2)	(ISDB-T) Japan
$n = 1\,405$ (mode 1) and $f_{\text{SPACING}} = 3\,968$ Hz (mode 1)	(ISDB-T) Japan.

In a multi-signal system (for example, a CATV network) measurement of the RF/IF power in a single channel requires a frequency selective technique. This could employ a thermal power meter preceded by a suitably calibrated channel filter, a spectrum analyser with band power measurement capability, or a measuring receiver. Depending on the measurement technique, a filter may be required to exclude the "shoulders" of a single OFDM signal.

### I.2.2 Noise bandwidth

The transmission of digitally modulated signals employs a Nyquist filtering split equally between the transmitter and receiver.

#### a) QAM/PSK modulation

The noise bandwidth of the receiver equals the symbol rate  $f_S$ . This is considered to be appropriate for  $C/N$  measurements of digital TV systems since this reflects the amount of noise entering the receiver. This leads to the following formula:

$$BW_{\text{NOISE(QAM/PSK)}} = f_S \quad (\text{H.3})$$

#### b) OFDM modulation

Because the OFDM "shoulders" are not considered to be wanted information power, the noise bandwidth can be assumed to equal the occupied bandwidth:

$$BW_{\text{NOISE(OFDM)}} = BW_{\text{OCC(OFDM)}} \quad (\text{H.4})$$

### I.2.3 Equivalent signal bandwidth

The transmission of digitally modulated signals employs a Nyquist filtering split equally between the transmitter and receiver. Therefore, the RF/IF channel bandwidth (transmitter bandwidth) has a  $-3$  dB bandwidth that is equal to the receiver bandwidth.

#### a) QAM/PSK modulation

The equivalent signal bandwidth  $BW$  ( $-3$  dB bandwidth) is equal to the receiver noise bandwidth for QAM/PSK modulation:

$$BW_{(QAM/PSK)} = f_S \quad (\text{H.5})$$

## b) OFDM modulation

Because the OFDM "shoulders" are not considered to be wanted information power, the equivalent signal bandwidth  $BW$  (–3 dB bandwidth) can be assumed to be equal to the occupied bandwidth for OFDM modulation:

$$BW_{(OFDM)} = BW_{OCC(OFDM)} \quad (\text{H.6})$$

### I.3 Examples

In Table I.1, examples for the occupied bandwidth or channel bandwidth, the noise bandwidth and the equivalent signal bandwidth for the QAM, PSK and OFDM modulation techniques are indicated.

**Table I.1 – Examples of bandwidths for digital modulation techniques**

Digital modulation	Roll-off factor $\alpha$	Occupied or channel bandwidth $BW_{OCC}$ MHz	Noise bandwidth $BW_{NOISE}$ MHz	Equivalent signal bandwidth $BW$ MHz
QPSK (DVB-S)	0,35	37,125	27,5	27,5
TC8PSK (Japan)	0,35	34,5	28,860	28,860
QPSK, 8PSK, 16APSK, 32APSK (DVB-S2)	0,35	37,125	27,5	27,5
	0,25	37,125	29,7	29,7
	0,20	37,125	30,937 5	30,937 5
QAM (DVB-C)	0,15	8	6,95	6,95
64Q AM (Japan)	0,13	7	6,09	6,09
		6	5,274	5,274
COFDM (DVB-T, DVB-T2)	–	8	7,61	7,61
	–	7	6,66	6,66
OFDM (ISDB-T) (Japan)	–	6	5,572 (mode3)	5,572 (mode 3)

## **Annex J** (normative)

### **Correction factor for a spectrum analyser**

The correction factor ( $K_{sa}$ ) for a typical spectrum analyser is about 1,7 dB and is due to two contributions:

- a +2,5 dB term for the effect of the detector/log amplifier (it accounts for the correction of 1,05 dB due to the narrowband envelope detection and the 1,45 dB due to the logarithmic amplifier);
- a –0,8 dB term that takes into account that the equivalent noise bandwidth of the IF filter of the spectrum analyser is greater than its nominal resolution bandwidth RSBW by a factor of 1,2.

## Annex K (informative)

### Differences in some countries

#### K.1 Subclause 3.1.58, Norway

According to Regulations on Electronic Communications Networks and Services (Ecom Regulations) laid down by the Norwegian Ministry of Transport and Communications on 16 February 2004, the following applies:

When installing coaxial cable-based networks, the part of the network to which the end-user is connected shall be placed in a star structure. It is not permitted to insert receiver connections into the connection between the star points.

#### K.2 Subclause 5.4.1, Japan, Netherlands

##### K.2.1 Japan

Replace by/add the following “minimum and maximum carrier levels” regulation as indicated in Table K.1.

**Table K.1 – Carrier signal levels at any system outlet (Japan)**

Type of service	Systems	Modulation	Frequency range	Minimum level dB(μV)	Maximum level dB(μV)
Television	NTSC	AM-VSB	90 to 770 MHz	60	85
	Digital TV	64 QAM	90 to 770 MHz	49	81
	Digital TV	256 QAM	90 to 770 MHz	57	81
	ISDB-T	OFDM	90 to 770 MHz	47	81
	ISDB-S	TC8PSK QPSK	1032 to 2071 MHz	47	81
Sound Radio	Mono or stereo	FM	76 to 90 MHz	50	75

##### K.2.2 Netherlands

Replace by/add the following “minimum and maximum carrier levels” regulation as indicated in Table K.2.

**Table K.2 – Carrier signal levels at any system outlet (Netherlans)**

FM sound mono	80 dB(μV) <sub>max</sub>
---------------	--------------------------

(measured in accordance with CISPR 16-1 (quasi-peak measurement within 120 kHz bandwidth)).

#### K.3 Subclause 5.4.2, Japan

Replace by/add the following “carrier level differences” regulation as indicated in Table K.3.

**Table K.3 – Maximum level differences at any system outlet between distributed television channels (Japan)**

Systems	Modulation	Frequency range	Carrier level difference dB
NTSC	AM-VSB	90 MHz to 770 MHz	Not more than 10
NTSC	AM-VSB	Between adjacent channel	Not more than 3
NTSC	AM-VSB	Sound carrier to vision carrier (between adjacent channel)	-3 to -14 (-9 to -14)
Sound Radio	FM	76 MHz to 90 MHz	Not more than 10
Sound Radio	FM	Adjacent channel to AM-VSB	Not more than 10
Digital TV	64 QAM	90 MHz to 770 MHz	-10 to 10
Digital TV	64 QAM	Upper CH adjacent to AM-VSB	-8 to -22
Digital TV	64 QAM	Lower CH adjacent to AM-VSB	-10 to -24
Digital TV	64 QAM	Adjacent channel to 256 QAM	-10 to 10
Digital TV	64 QAM	Upper CH adjacent to OFDM	-14 to 19
Digital TV	64 QAM	Lower CH adjacent to OFDM	-18 to 20
Digital TV	256 QAM	90 MHz to 770 MHz	-10 to 10
Digital TV	256 QAM	Upper CH adjacent to AM-VSB	-8 to -16
Digital TV	256 QAM	Lower CH adjacent to AM-VSB	-10 to -18
Digital TV	256 QAM	Adjacent channel to 64 QAM	-10 to 10
Digital TV	256 QAM	Upper CH adjacent to OFDM	-8 to 19
Digital TV	256 QAM	Lower CH adjacent to OFDM	-12 to 20
ISDB-T	OFDM	90 MHz to 770 MHz	-10 to 10
ISDB-T	OFDM	Upper CH adjacent to AM-VSB	-15 to -21
ISDB-T	OFDM	Lower CH adjacent to AM-VSB	-6 to -24
ISDB-T	OFDM	Upper CH adjacent to 64 QAM	18 to -20
ISDB-T	OFDM	Lower CH adjacent to 64 QAM	14 to 19
ISDB-T	OFDM	Upper CH adjacent to 256 QAM	12 to -20
ISDB-T	OFDM	Lower CH adjacent to 256 QAM	8 to -19
ISDB-S	TC8PSK QPSK	1 032 MHz to 2 071 MHz Between adjacent channel	Not more than 3

**K.4 Subclause 5.5.1, Japan**

Replace by /add the following “isolation between two subscribers” regulation as indicated in Table K.4.

**Table K.4 – Mutual isolation (Japan)**

TV/TV (mutual isolation of a subscriber tap)	Not less than 25 dB
TV/FM (in the case of FM filter use)	Not less than 35 dB

### K.5 Subclause 5.6.1, Japan

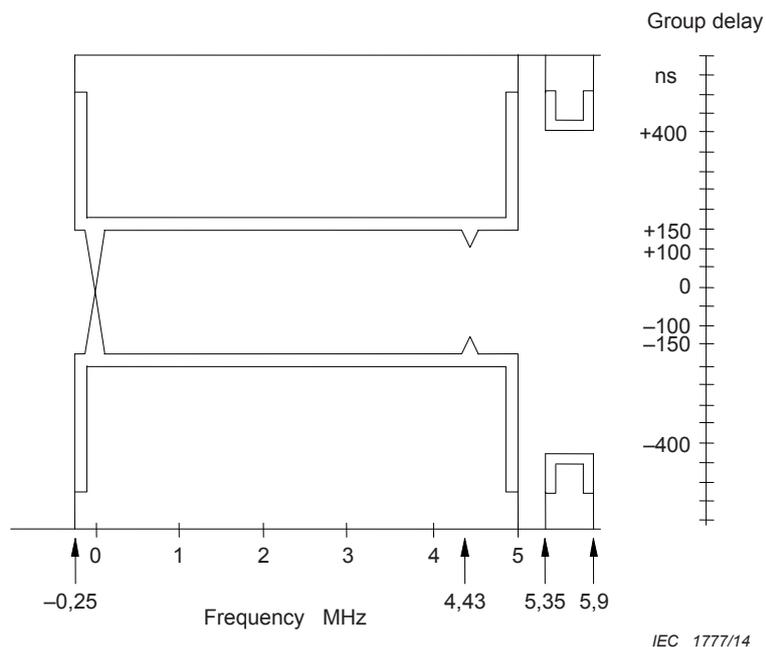
Replace by/add the following “amplitude response” regulation as indicated in Table K.5.

**Table K.5 – Amplitude response variation (Japan)**

Signal modulation	Occupied or channel bandwidth MHz	Maximum variation dB
AM-VSB (NTSC)	-0,5 ~ 4	-3 to +4
64 QAM	6	±3
256 QAM	6	±3
OFDM(ISDB-T)	5,7	±3
TC8PSK(ISDB-S) QPSK(ISDB-S)	34,5	–

### K.6 Subclause 5.6.2, Netherlands

Add the group delay response curve valid for PAL with FM-FM sound (Clause K.2), as shown in Figure K.1.



**Figure K.1 – Mask group delay characteristic for PAL signals with FM-FM sound (Netherlands)**

**K.7 Subclause 5.7, Japan**

Replace by/add the following “frequency stability” regulation as indicated in Table K.6.

**Table K.6 – Frequency stability requirements (Japan)**

Signal modulation	Frequency stability
AM-VSB (NTSC)	±20 kHz
Between vision carrier and sound carrier	±2 kHz
FM	±20 kHz
64 QAM	±20 kHz
256 QAM	±20 kHz
OFDM (ISDB-T)	±20 kHz
TC8PSK (ISDB-S) QPSK (ISDB-S)	±1,5 MHz

**K.8 Subclause 5.8, Japan**

Replace by/add the following "system outlet specification" as indicated in Table K.7.

**Table K.7 – Carrier-to-noise ratios at system outlet (Japan)**

Type of service	Systems	Modulation	Minimum carrier-to-noise ratio (C/N) dB	Minimum RF signal to noise ratio (S/N) dB	Equivalent noise bandwidth (BW) MHz
Television	NTSC	AM-VSB	40		4,0
	DVB-C	64 QAM		26	5,3
	DVB-C	256 QAM		34	5,3
	ISDB-T	OFDM		24	5,6
The above values specify the specification at system outlet only.					

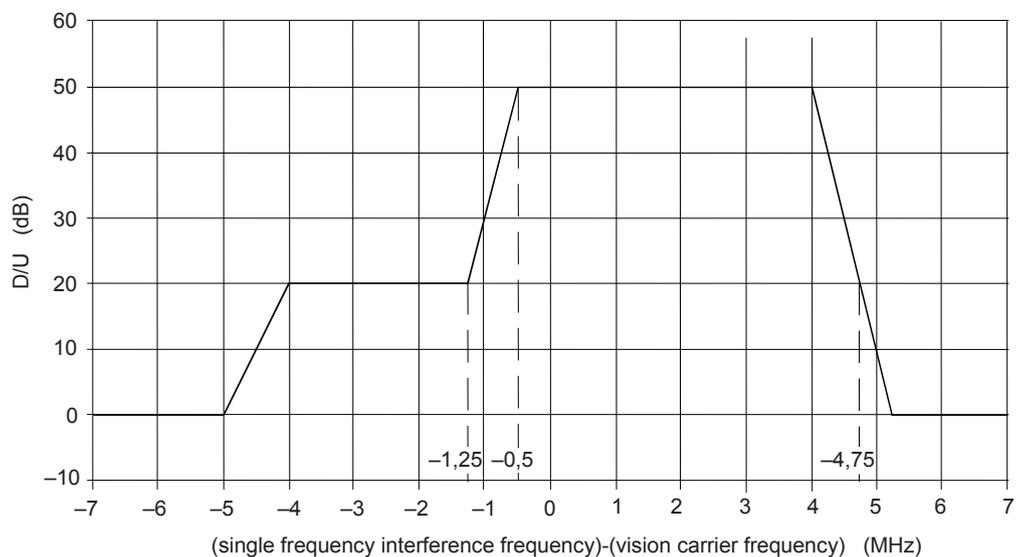
## K.9 Subclause 5.9.1, Japan, Netherlands

### K.9.1 Japan

Replace by/add the following “single-frequency interference” regulation as indicated in Table K.8.

**Table K.8 – Single-frequency interference (Japan)**

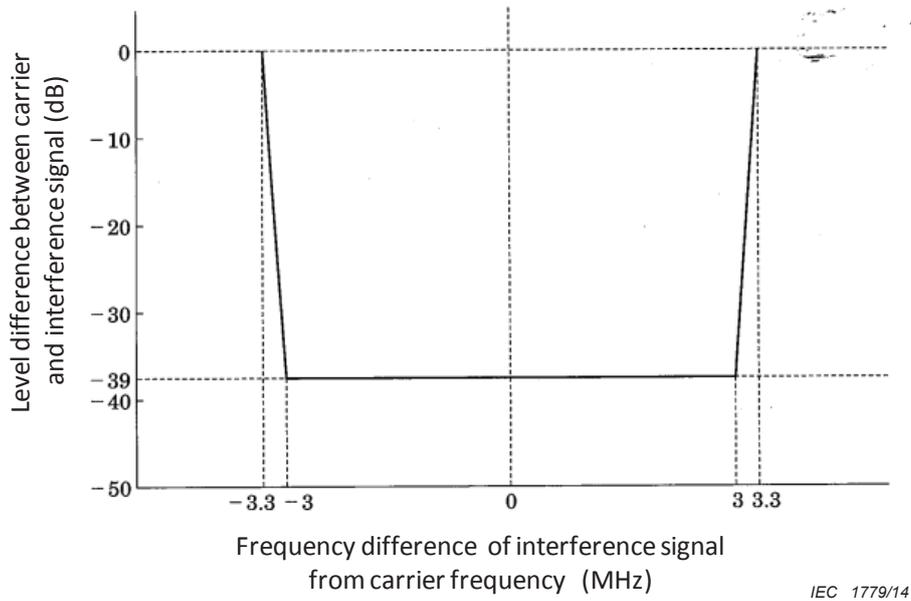
VSB-AM NTSC	Not less than 50 dB	see D/U = ratio of the vision carrier level to interference signal level in dB.  Figure K.2
64 QAM digital	Not more than -39 dB	see Figure K.3
256 QAM digital	Not more than -45 dB	see Figure K.4



IEC 1778/14

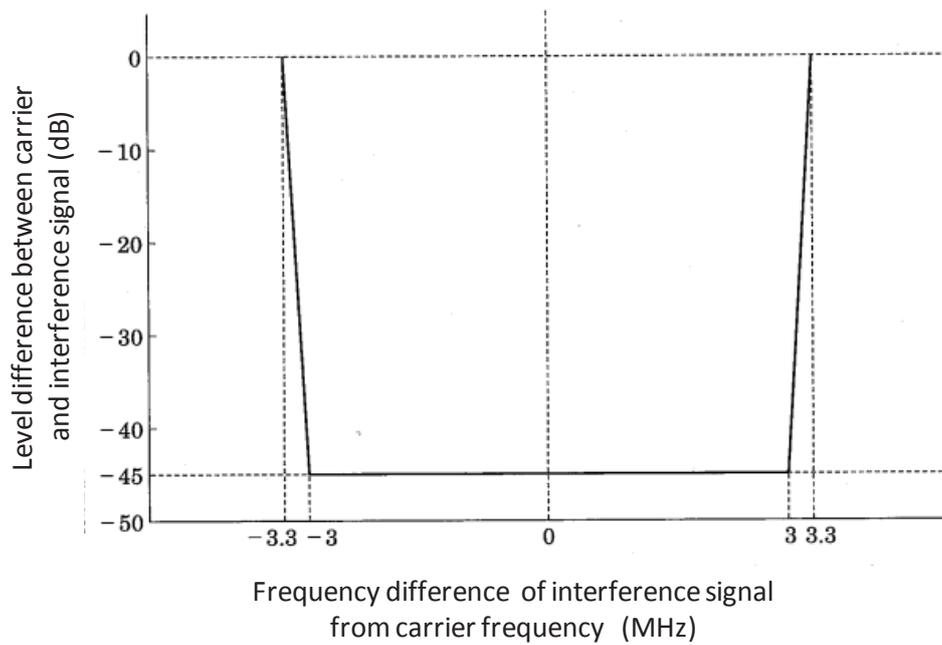
D/U = ratio of the vision carrier level to interference signal level in dB.

**Figure K.2 – Single-frequency interference (VSB-AM NTSC) (Japan)**



IEC 1779/14

Figure K.3 – Single-frequency interference (64 QAM digital) (Japan)



IEC 1780/14

Figure K.4 – Single-frequency interference (256 QAM digital) (Japan)

**K.9.2 Netherlands**

Replace by/add the following “single-frequency interference” regulation as indicated in Table K.9.

**Table K.9 – Single-frequency interference (Netherlands)**

AM-VSB-PAL-signals:	$C/I \geq 60$ dB	(measured in a bandwidth of 300 kHz)
For signals outside used TV channels:	$C/I \geq 40$ dB	

## K.10 Subclause 5.9.5, Japan

Replace by/add the following “cross-modulation” regulation as indicated in Table K.10.

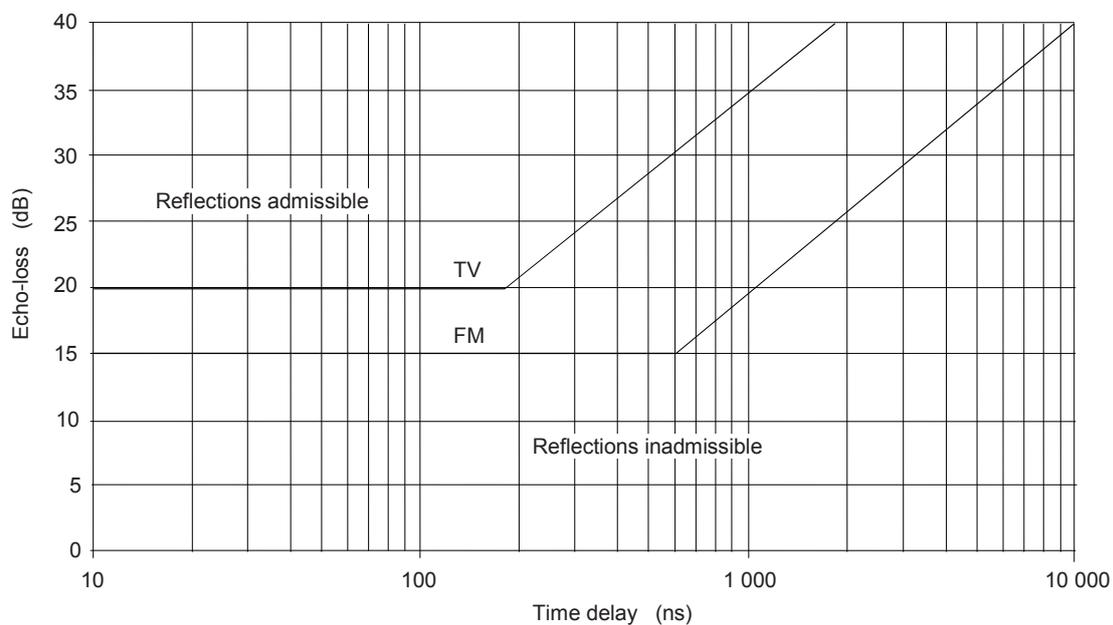
**Table K.10 – Cross-modulation (Japan)**

Cross-modulation $(20 \lg\{(a-b)/a\})$	Not more than –40 dB
--	----------------------

## K.11 Subclause 5.10.2, Netherlands, Japan

### K.11.1 Netherlands

Replace the requirements for “echoes in television channels, PAL-SECAM standards” by the “requirement for echo loss in relation to the time delay of the reflected signal for AM-PAL-TV and FM-radio” (Figure K.5).



IEC 1781/14

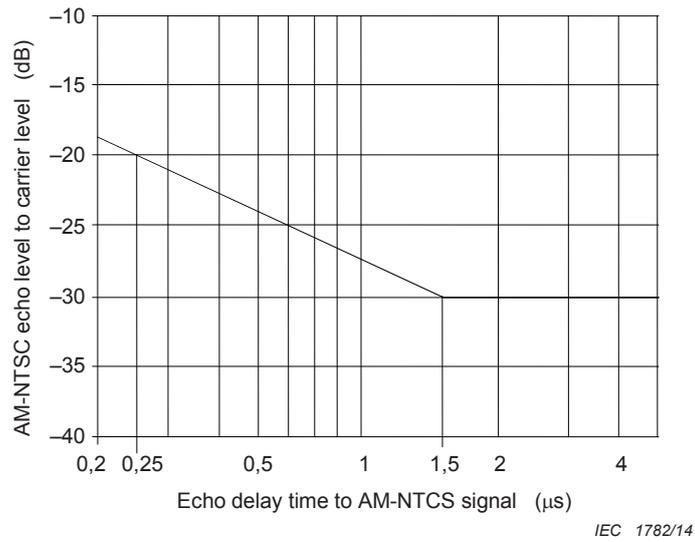
**Figure K.5 – Requirement for echo loss in relation to the time delay of the reflected signal (Netherlands)**

### K.11.2 Japan

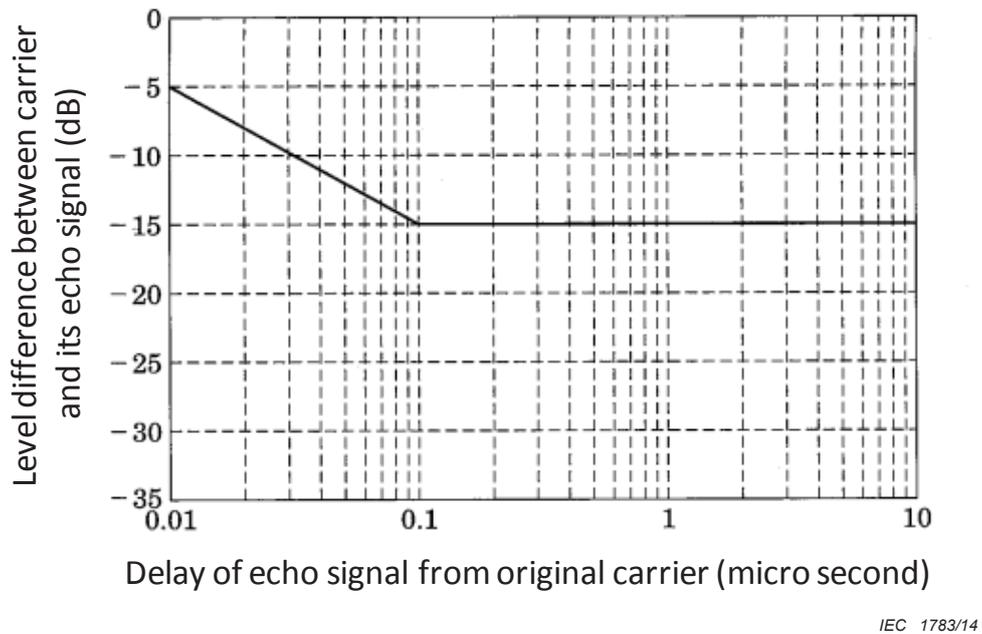
Replace by/add the following “echoes” regulation as indicated in Table K.11.

**Table K.11 – Echoes requirements (Japan)**

VSB-AM NTSC	Figure K.6
64 QAM Digital	Figure K.7



**Figure K.6 – Echoes (VSB-AM NTSC) (Japan)**



**Figure K.7 – Echoes (FM NTSC) (Japan)**

**K.12 Subclause 5.11, Japan**

Replace by/add the following “hum modulation” regulation as indicated in Table K.12.

**Table K.12 – Hum modulation of carriers in television channels (Japan)**

AM-VSB ( $20 \lg\{(a-b)/a\}$ )	Not more than -50 dB (50 Hz) Not more than -40 dB (60 Hz)
AM-HDTV ( $20 \lg\{(a-b)/a\}$ )	Not more than -50 dB (50 Hz) Not more than -40 dB (60 Hz)

**K.13 Subclause 5.12.1, Denmark**

Add the requirement for “decoding margin” being “the decoding margin shall be 40 %, when the margin is a minimum of 70 % at the receiving antenna”.

**K.14 Subclause 5.13.1.5, Japan**

Replace by/add the following “phase noise” regulation as indicated in Table K.13.

**Table K.13 – Phase noise of an RF carrier (Japan)**

DVB signal (PSK, QAM and OFDM)	u.c.
u.c. = under consideration.	

**K.15 Subclause 5.14.3, Netherlands**

Add the requirement for “adjacent channel spacing” by  $\geq 400$  kHz.

**K.16 Clause 7, Japan**

The requirements for the HNI are under consideration.

## Bibliography

IEC 60050-701:1988, *International Electrotechnical Vocabulary – Chapter 701: Telecommunications, channels and networks*

IEC 60050-713:1998, *International Electrotechnical Vocabulary – Part 713: Radiocommunications: transmitters, receivers, networks and operation*

IEC 60617, *Graphical symbols for diagrams*

IEC 60728 (all parts), *Cable networks for television signals, sound signals and interactive services*

IEC 61169-2, *Radio-frequency connectors – Part 2: Sectional specification – Radio frequency coaxial connectors of type 9,52*

IEC 61169-24, *Radio-frequency connectors – Part 24: Sectional specification – Radio frequency coaxial connectors with screw coupling, typically for use in 75 ohm cable distribution systems (type F)*

CISPR 16-1 (all parts), *Specification for radio disturbance and immunity measuring apparatus and methods – Part 1: Radio disturbance and immunity measuring apparatus*

ISO/IEC 13818 (all parts), *Information technology – Generic coding of moving pictures and associated audio information:*

ISO/IEC 13818-2, *Information technology – Generic coding of moving pictures and associated audio information – Part 3: Video*

ISO/IEC 13818-3, *Information technology – Generic coding of moving pictures and associated audio information – Part 3: Audio*

ISO/IEC 14496 (all parts), *Information technology – Coding of audio-visual objects*

ISO/IEC 14496-2, *Information technology – Coding of audio-visual objects – Part 2: Visual*

ISO/IEC 14496-3, *Information technology – Coding of audio-visual objects – Part 3: Audio*

ISO/IEC 14496-4, *Information technology – Coding of audio-visual objects – Part 4: Conformance testing*

ITU-T Recommendation J.63, *Insertion of test signals in the field-blanking interval of monochrome and colour television signals*

ITU-T Recommendation J.83:2007, *Digital multi-programme systems for television, sound and data services for cable distribution*

EN 50117-2-4, *Coaxial cables – Part 2-4: Sectional specification for cables used in cabled distribution networks – Indoor drop cables for systems operating at 5 MHz – 3 000 MHz*

EN 50173-4, *Information technology – Generic cabling systems – Part 4: Homes*

ETSI EN 300 748, *Digital Video Broadcasting (DVB) – Multipoint Video Distribution Systems (MVDS) at 10 GHz and above*

ETSI EN 300 749, *Digital Video Broadcasting (DVB) – Microwave Multipoint Distribution Systems (MMDS) below 10 GHz*

ETSI EN 302 755, *Digital Video Broadcasting (DVB) – Frame structure, channel coding and modulation for a second generation digital terrestrial television broadcasting system (DVB-T2)*

ETSI TR 101 290, *Digital Video Broadcasting (DVB) – Measurement guidelines for DVB systems*

CEPT:1997, *The Chester 1997 Multilateral Coordination Agreement relating to Technical Criteria, Coordination Principles and Procedures for the Introduction of Terrestrial Digital Video Broadcasting (DVB-T)*, Chester, July 1997

---



# British Standards Institution (BSI)

BSI is the national body responsible for preparing British Standards and other standards-related publications, information and services.

BSI is incorporated by Royal Charter. British Standards and other standardization products are published by BSI Standards Limited.

## About us

We bring together business, industry, government, consumers, innovators and others to shape their combined experience and expertise into standards-based solutions.

The knowledge embodied in our standards has been carefully assembled in a dependable format and refined through our open consultation process. Organizations of all sizes and across all sectors choose standards to help them achieve their goals.

## Information on standards

We can provide you with the knowledge that your organization needs to succeed. Find out more about British Standards by visiting our website at [bsigroup.com/standards](http://bsigroup.com/standards) or contacting our Customer Services team or Knowledge Centre.

## Buying standards

You can buy and download PDF versions of BSI publications, including British and adopted European and international standards, through our website at [bsigroup.com/shop](http://bsigroup.com/shop), where hard copies can also be purchased.

If you need international and foreign standards from other Standards Development Organizations, hard copies can be ordered from our Customer Services team.

## Subscriptions

Our range of subscription services are designed to make using standards easier for you. For further information on our subscription products go to [bsigroup.com/subscriptions](http://bsigroup.com/subscriptions).

With **British Standards Online (BSOL)** you'll have instant access to over 55,000 British and adopted European and international standards from your desktop. It's available 24/7 and is refreshed daily so you'll always be up to date.

You can keep in touch with standards developments and receive substantial discounts on the purchase price of standards, both in single copy and subscription format, by becoming a **BSI Subscribing Member**.

**PLUS** is an updating service exclusive to BSI Subscribing Members. You will automatically receive the latest hard copy of your standards when they're revised or replaced.

To find out more about becoming a BSI Subscribing Member and the benefits of membership, please visit [bsigroup.com/shop](http://bsigroup.com/shop).

With a **Multi-User Network Licence (MUNL)** you are able to host standards publications on your intranet. Licences can cover as few or as many users as you wish. With updates supplied as soon as they're available, you can be sure your documentation is current. For further information, email [bsmusales@bsigroup.com](mailto:bsmusales@bsigroup.com).

## BSI Group Headquarters

389 Chiswick High Road London W4 4AL UK

## Revisions

Our British Standards and other publications are updated by amendment or revision.

We continually improve the quality of our products and services to benefit your business. If you find an inaccuracy or ambiguity within a British Standard or other BSI publication please inform the Knowledge Centre.

## Copyright

All the data, software and documentation set out in all British Standards and other BSI publications are the property of and copyrighted by BSI, or some person or entity that owns copyright in the information used (such as the international standardization bodies) and has formally licensed such information to BSI for commercial publication and use. Except as permitted under the Copyright, Designs and Patents Act 1988 no extract may be reproduced, stored in a retrieval system or transmitted in any form or by any means – electronic, photocopying, recording or otherwise – without prior written permission from BSI. Details and advice can be obtained from the Copyright & Licensing Department.

## Useful Contacts:

### Customer Services

**Tel:** +44 845 086 9001

**Email (orders):** [orders@bsigroup.com](mailto:orders@bsigroup.com)

**Email (enquiries):** [cservices@bsigroup.com](mailto:cservices@bsigroup.com)

### Subscriptions

**Tel:** +44 845 086 9001

**Email:** [subscriptions@bsigroup.com](mailto:subscriptions@bsigroup.com)

### Knowledge Centre

**Tel:** +44 20 8996 7004

**Email:** [knowledgecentre@bsigroup.com](mailto:knowledgecentre@bsigroup.com)

### Copyright & Licensing

**Tel:** +44 20 8996 7070

**Email:** [copyright@bsigroup.com](mailto:copyright@bsigroup.com)



...making excellence a habit.™