

BS EN 16067:2011



BSI Standards Publication

**Packaging — Rigid plastic
containers — PET finish 26,7
(lead 9,00)**

bsi.

...making excellence a habit.™

National foreword

This British Standard is the UK implementation of EN 16067:2011.

The UK participation in its preparation was entrusted to Technical Committee PKW/0/-/10, Packaging - Plastics.

A list of organizations represented on this committee can be obtained on request to its secretary.

This publication does not purport to include all the necessary provisions of a contract. Users are responsible for its correct application.

© The British Standards Institution 2012

ISBN 978 0 580 69995 5

ICS 55.100

Compliance with a British Standard cannot confer immunity from legal obligations.

This British Standard was published under the authority of the Standards Policy and Strategy Committee on 31 January 2012.

Amendments issued since publication

Date	Text affected
------	---------------

EUROPEAN STANDARD

EN 16067

NORME EUROPÉENNE

EUROPÄISCHE NORM

November 2011

ICS 55.100

English Version

Packaging - Rigid plastic containers - PET finish 26,7 (lead 9,00)Emballage - Récipients en plastique rigide - Bague PET
26,7 (pas 9,00)Verpackung - Kunststoffbehältnisse - PET-
Verschlussmundstück 26,7 (Gewindesteigung 9,00)

This European Standard was approved by CEN on 29 October 2011.

CEN members are bound to comply with the CEN/CENELEC Internal Regulations which stipulate the conditions for giving this European Standard the status of a national standard without any alteration. Up-to-date lists and bibliographical references concerning such national standards may be obtained on application to the CEN-CENELEC Management Centre or to any CEN member.

This European Standard exists in three official versions (English, French, German). A version in any other language made by translation under the responsibility of a CEN member into its own language and notified to the CEN-CENELEC Management Centre has the same status as the official versions.

CEN members are the national standards bodies of Austria, Belgium, Bulgaria, Croatia, Cyprus, Czech Republic, Denmark, Estonia, Finland, France, Germany, Greece, Hungary, Iceland, Ireland, Italy, Latvia, Lithuania, Luxembourg, Malta, Netherlands, Norway, Poland, Portugal, Romania, Slovakia, Slovenia, Spain, Sweden, Switzerland and United Kingdom.

EUROPEAN COMMITTEE FOR STANDARDIZATION
COMITÉ EUROPÉEN DE NORMALISATION
EUROPÄISCHES KOMITEE FÜR NORMUNG**Management Centre: Avenue Marnix 17, B-1000 Brussels**

Contents		Page
Foreword.....		3
Introduction		4
1 Scope		5
2 Dimensions		5
3 Requirements		5
Bibliography		7

Foreword

This document (EN 16067:2011) has been prepared by Technical Committee CEN/TC 261 “Packaging”, the secretariat of which is held by AFNOR.

This European Standard shall be given the status of a national standard, either by publication of an identical text or by endorsement, at the latest by May 2012, and conflicting national standards shall be withdrawn at the latest by May 2012.

Attention is drawn to the possibility that some of the elements of this document may be the subject of patent rights. CEN [and/or CENELEC] shall not be held responsible for identifying any or all such patent rights.

According to the CEN/CENELEC Internal Regulations, the national standards organizations of the following countries are bound to implement this European Standard: Austria, Belgium, Bulgaria, Croatia, Cyprus, Czech Republic, Denmark, Estonia, Finland, France, Germany, Greece, Hungary, Iceland, Ireland, Italy, Latvia, Lithuania, Luxembourg, Malta, Netherlands, Norway, Poland, Portugal, Romania, Slovakia, Slovenia, Spain, Sweden, Switzerland and the United Kingdom.

Introduction

This European Standard is based on CE.T.I.E. (International Technical Centre for Bottling and Packaging) data sheet GME 30.24 (2008) [1].

Efficient packaging is of great importance for the distribution and the protection of goods. Insufficient or inappropriate packaging can lead to damage or wastage of the contents of the pack.

1 Scope

This European Standard specifies the dimensions of the 26,7 mm screw finish with three (3) thread starts and a 16,80 mm height for flat waters and non-carbonated beverages. This finish can be used for aseptic filling and filling with introduction of nitrogen.

This finish is designed to take a tamper evident plastic closure only. During first opening, the tamper evident band will separate from the closure shell and stay on a one way bottle neck or like bottles in the returnable market, the tamper evident band will tear but will remain connected to the closure shell.

2 Dimensions

2.1 The design and dimensions of the finish shall be as shown in Figure 1.

NOTE Other versions exist with $\varnothing Z = 33$ mm max.

2.2 Dimensions of the 3 thread starts 120° apart.

120° of full depth thread per lead

R 6,25 thread lead-in

R 6,25 thread run-out

Lead: 9 mm (travel per turn)

2.3 General tolerance for other radii: $\pm 0,13$ mm

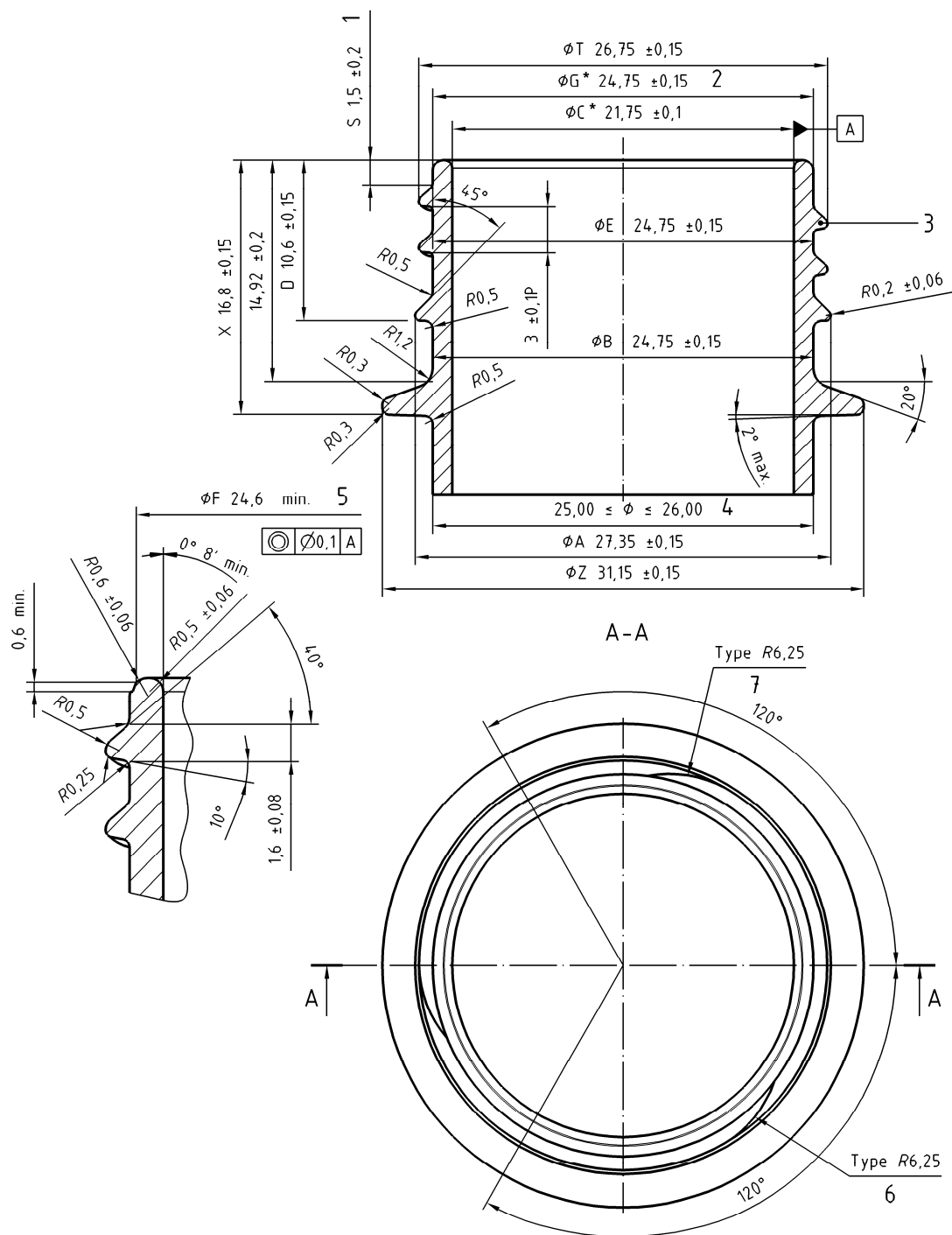
2.4 Weight on height 16,8 mm: 3,38 g (density = 1,335)

3 Requirements

The following requirements apply:

- This finish is a top, side and inside seal finish. This finish shall be smooth and free of any defects that will contribute to leaks. Flash shall not exceed 0,13 mm per side, and shall not be continuous.
- On the blown bottle, the control diameter C shall be free of any defects up to 4 mm down for the internal bore and across the sealing surface of the finish.
- Requirements for good closure application on finish:
 - 0,13 mm max. out-of-parallel sealing surface with neck support ledge is allowed;
 - an offset or vertical mismatch of thread is not to exceed 0,10 mm at the mould seam. $\varnothing T$ dimension is not measured in the depressed area.
- Variations in $\varnothing E$ are to follow uniformly those of $\varnothing T$.
- No overhang allowed at any point in 360° between $\varnothing F$ and $\varnothing G$. A flash to 0,15 mm maximum step is allowable on one side only. $\varnothing G$ does not exceed $\varnothing E$.
- In case of usage for slightly carbonated (3 g/l max.) waters and beverages, the bottler shall check that closure is suitable for this usage.

Dimensions in millimetres



Key

- 1 start thread
- 2 radius center
- 3 thread starts 120° apart
- 4 straight

- 5 above parting line
- 6 thread lead-in
- 7 thread run-out

NOTE * = includes ovality.

Figure 1 — Design and dimensions of the finish

Bibliography

- [1] CE.T.I.E. data sheet GME 30.24 PET finish 26,7 (lead 9,00) – 2008 C.E.T.I.E. : International Technical Centre for Bottling and related Packaging – 112 – 114 rue La Boétie 75008 Paris – www.cetie.org

British Standards Institution (BSI)

BSI is the national body responsible for preparing British Standards and other standards-related publications, information and services.

BSI is incorporated by Royal Charter. British Standards and other standardization products are published by BSI Standards Limited.

About us

We bring together business, industry, government, consumers, innovators and others to shape their combined experience and expertise into standards-based solutions.

The knowledge embodied in our standards has been carefully assembled in a dependable format and refined through our open consultation process. Organizations of all sizes and across all sectors choose standards to help them achieve their goals.

Information on standards

We can provide you with the knowledge that your organization needs to succeed. Find out more about British Standards by visiting our website at bsigroup.com/standards or contacting our Customer Services team or Knowledge Centre.

Buying standards

You can buy and download PDF versions of BSI publications, including British and adopted European and international standards, through our website at bsigroup.com/shop, where hard copies can also be purchased.

If you need international and foreign standards from other Standards Development Organizations, hard copies can be ordered from our Customer Services team.

Subscriptions

Our range of subscription services are designed to make using standards easier for you. For further information on our subscription products go to bsigroup.com/subscriptions.

With **British Standards Online (BSOL)** you'll have instant access to over 55,000 British and adopted European and international standards from your desktop. It's available 24/7 and is refreshed daily so you'll always be up to date.

You can keep in touch with standards developments and receive substantial discounts on the purchase price of standards, both in single copy and subscription format, by becoming a **BSI Subscribing Member**.

PLUS is an updating service exclusive to BSI Subscribing Members. You will automatically receive the latest hard copy of your standards when they're revised or replaced.

To find out more about becoming a BSI Subscribing Member and the benefits of membership, please visit bsigroup.com/shop.

With a **Multi-User Network Licence (MUNL)** you are able to host standards publications on your intranet. Licences can cover as few or as many users as you wish. With updates supplied as soon as they're available, you can be sure your documentation is current. For further information, email bsmusales@bsigroup.com.

BSI Group Headquarters

389 Chiswick High Road London W4 4AL UK

Revisions

Our British Standards and other publications are updated by amendment or revision.

We continually improve the quality of our products and services to benefit your business. If you find an inaccuracy or ambiguity within a British Standard or other BSI publication please inform the Knowledge Centre.

Copyright

All the data, software and documentation set out in all British Standards and other BSI publications are the property of and copyrighted by BSI, or some person or entity that owns copyright in the information used (such as the international standardization bodies) and has formally licensed such information to BSI for commercial publication and use. Except as permitted under the Copyright, Designs and Patents Act 1988 no extract may be reproduced, stored in a retrieval system or transmitted in any form or by any means – electronic, photocopying, recording or otherwise – without prior written permission from BSI. Details and advice can be obtained from the Copyright & Licensing Department.

Useful Contacts:

Customer Services

Tel: +44 845 086 9001

Email (orders): orders@bsigroup.com

Email (enquiries): cservices@bsigroup.com

Subscriptions

Tel: +44 845 086 9001

Email: subscriptions@bsigroup.com

Knowledge Centre

Tel: +44 20 8996 7004

Email: knowledgecentre@bsigroup.com

Copyright & Licensing

Tel: +44 20 8996 7070

Email: copyright@bsigroup.com



...making excellence a habit.™