

**Plastics piping systems
— Systems within the
building structure —
Mounting and fixing of
components in the test
apparatus to thermal
attack by a single
burning item**

ICS 13.220.50; 23.040.20

National foreword

This British Standard is the UK implementation of EN 16000:2010.

The UK participation in its preparation was entrusted to Technical Committee PRI/88/1, Plastics piping for non-pressure applications.

A list of organizations represented on this committee can be obtained on request to its secretary.

This publication does not purport to include all the necessary provisions of a contract. Users are responsible for its correct application.

Compliance with a British Standard cannot confer immunity from legal obligations.

This British Standard was published under the authority of the Standards Policy and Strategy Committee on 30 June 2010

© BSI 2010

ISBN 978 0 580 68716 7

Amendments/corrigenda issued since publication

Date	Comments

EUROPEAN STANDARD

EN 16000

NORME EUROPÉENNE

EUROPÄISCHE NORM

May 2010

ICS 13.220.50; 23.040.20

English Version

**Plastics piping systems - Systems within the building structure -
Mounting and fixing of components in the test apparatus to
thermal attack by a single burning item**

Systèmes de canalisations en plastique - Systèmes à l'intérieur de la structure des bâtiments - Montage et fixation des composants dans l'appareillage d'essai à une sollicitation thermique provoquée par un objet isolé en feu

Kunststoff-Rohrleitungssysteme - Systeme innerhalb der Gebäudestruktur - Montage und Befestigung von Bauteilen im Prüfgerät für thermische Beanspruchung durch einen einzelnen brennenden Gegenstand

This European Standard was approved by CEN on 23 April 2010.

CEN members are bound to comply with the CEN/CENELEC Internal Regulations which stipulate the conditions for giving this European Standard the status of a national standard without any alteration. Up-to-date lists and bibliographical references concerning such national standards may be obtained on application to the CEN Management Centre or to any CEN member.

This European Standard exists in three official versions (English, French, German). A version in any other language made by translation under the responsibility of a CEN member into its own language and notified to the CEN Management Centre has the same status as the official versions.

CEN members are the national standards bodies of Austria, Belgium, Bulgaria, Croatia, Cyprus, Czech Republic, Denmark, Estonia, Finland, France, Germany, Greece, Hungary, Iceland, Ireland, Italy, Latvia, Lithuania, Luxembourg, Malta, Netherlands, Norway, Poland, Portugal, Romania, Slovakia, Slovenia, Spain, Sweden, Switzerland and United Kingdom.



EUROPEAN COMMITTEE FOR STANDARDIZATION
COMITÉ EUROPÉEN DE NORMALISATION
EUROPÄISCHES KOMITEE FÜR NORMUNG

Management Centre: Avenue Marnix 17, B-1000 Brussels

Contents

Page

Foreword.....	3
1 Scope.....	4
2 Normative references	4
3 Mounting and fixing of components	4

Foreword

This document (EN 16000:2010) has been prepared by Technical Committee CEN/TC 155 “Plastics piping systems and ducting systems”, the secretariat of which is held by NEN.

This European Standard shall be given the status of a national standard, either by publication of an identical text or by endorsement, at the latest by November 2010, and conflicting national standards shall be withdrawn at the latest by November 2010.

Attention is drawn to the possibility that some of the elements of this document may be the subject of patent rights. CEN [and/or CENELEC] shall not be held responsible for identifying any or all such patent rights.

According to the CEN/CENELEC Internal Regulations, the national standards organizations of the following countries are bound to implement this European Standard: Austria, Belgium, Bulgaria, Croatia, Cyprus, Czech Republic, Denmark, Estonia, Finland, France, Germany, Greece, Hungary, Iceland, Ireland, Italy, Latvia, Lithuania, Luxembourg, Malta, Netherlands, Norway, Poland, Portugal, Romania, Slovakia, Slovenia, Spain, Sweden, Switzerland and the United Kingdom.

1 Scope

This European Standard specifies the mounting and fixing of components in the test apparatus to thermal attack by a single burning item (SBI) according to EN 13823.

This document is applicable to non-pressure plastics pipes, fittings and their joints intended for soil and waste applications:

- inside the building (application area code "B");
- buried in ground within the building structure (application area code "BD") and with a diameter greater than or equal to 75 mm.

It is also applicable to pressure plastics pipes, fittings and their joints within the building structure:

- intended for water for general purposes, drainage, sewerage, as well as for any other pressure application with other fluids covered by the Construction Products Directive;
- hot and cold water installations for the conveyance of water and for heating systems.

2 Normative references

The following referenced documents are indispensable for the application of this document. For dated references, only the edition cited applies. For undated references, the latest edition of the referenced document (including any amendments) applies.

EN 13823:2002, *Reaction to fire tests for building products — Building products excluding floorings exposed to the thermal attack by a single burning item*

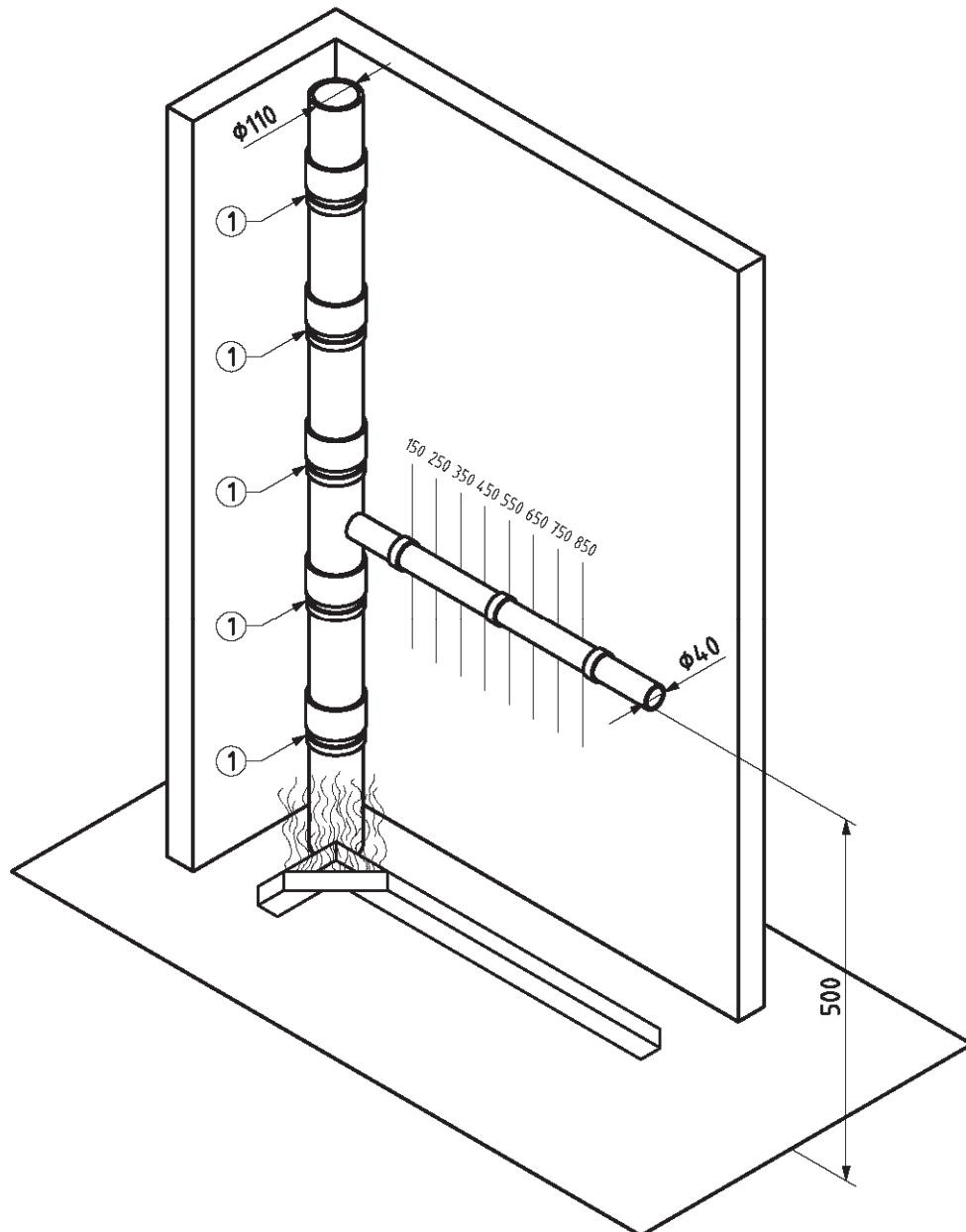
3 Mounting and fixing of components

Mounting and fixing of components in the test apparatus according to EN 13823:2002 shall conform to Figure 1 and Figure 2.

If no pipes are available, testing of fittings may be done in form of a linear assembly, e.g. couplers.

NOTE In case where e.g. the given dimensions do not exist the choice of dimensions and the mounting and fixing should be agreed between the manufacturer and the laboratory.

Dimensions in millimetres

**Key**

- 1 Metallic bracket under socket

Figure 1 — Mounting and fixing of components

Dimensions in millimetres

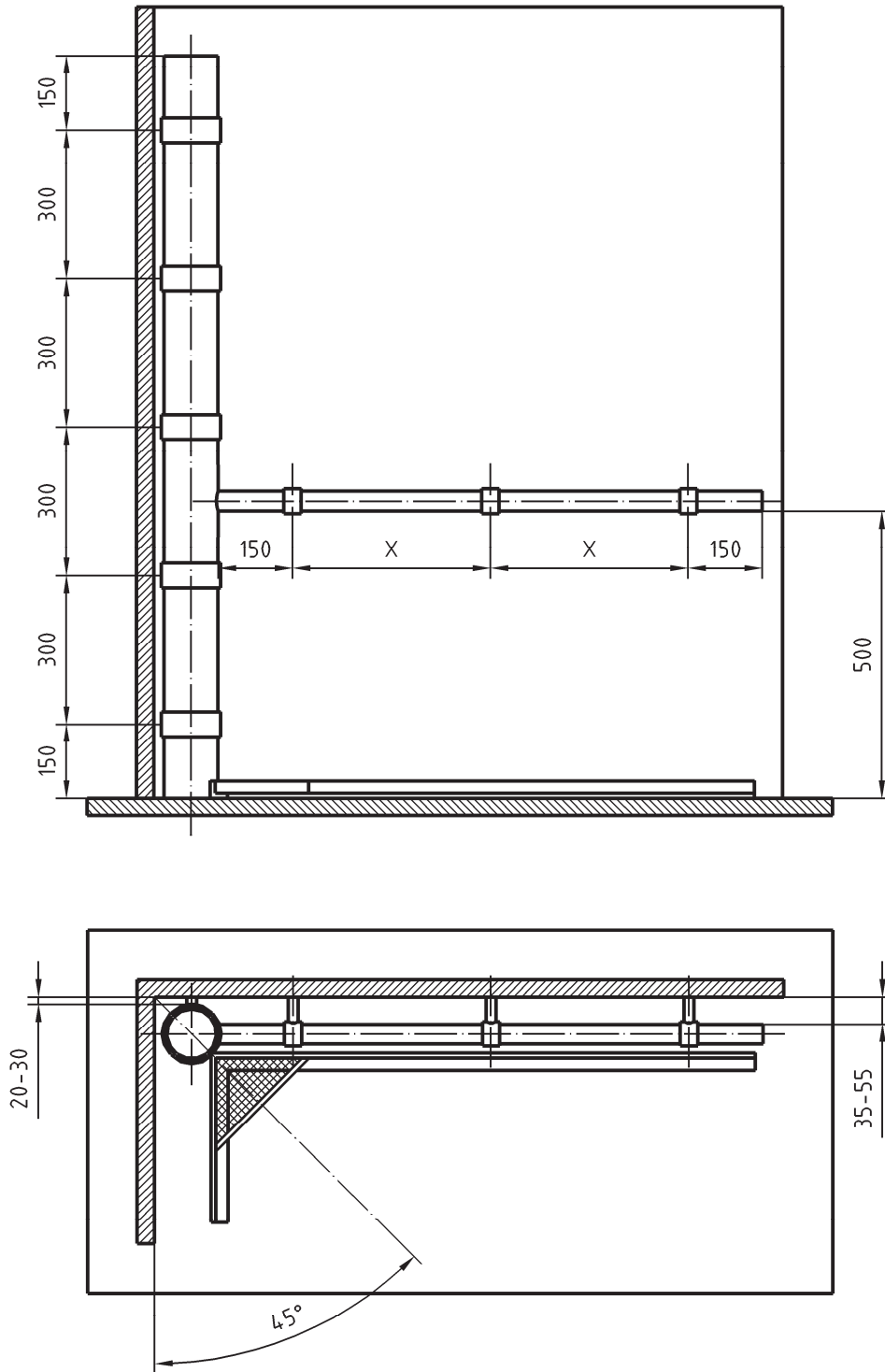


Figure 2 — Details of mounting and fixing of components

BSI - British Standards Institution

BSI is the independent national body responsible for preparing British Standards. It presents the UK view on standards in Europe and at the international level. It is incorporated by Royal Charter.

Revisions

British Standards are updated by amendment or revision. Users of British Standards should make sure that they possess the latest amendments or editions.

It is the constant aim of BSI to improve the quality of our products and services. We would be grateful if anyone finding an inaccuracy or ambiguity while using this British Standard would inform the Secretary of the technical committee responsible, the identity of which can be found on the inside front cover. Tel: +44 (0)20 8996 9000. Fax: +44 (0)20 8996 7400.

BSI offers members an individual updating service called PLUS which ensures that subscribers automatically receive the latest editions of standards.

Buying standards

Orders for all BSI, international and foreign standards publications should be addressed to Customer Services. Tel: +44 (0)20 8996 9001. Fax: +44 (0)20 8996 7001 Email: orders@bsigroup.com You may also buy directly using a debit/credit card from the BSI Shop on the Website <http://www.bsigroup.com/shop>

In response to orders for international standards, it is BSI policy to supply the BSI implementation of those that have been published as British Standards, unless otherwise requested.

Information on standards

BSI provides a wide range of information on national, European and international standards through its Library and its Technical Help to Exporters Service. Various BSI electronic information services are also available which give details on all its products and services. Contact Information Centre. Tel: +44 (0)20 8996 7111 Fax: +44 (0)20 8996 7048 Email: info@bsigroup.com

Subscribing members of BSI are kept up to date with standards developments and receive substantial discounts on the purchase price of standards. For details of these and other benefits contact Membership Administration. Tel: +44 (0)20 8996 7002 Fax: +44 (0)20 8996 7001 Email: membership@bsigroup.com

Information regarding online access to British Standards via British Standards Online can be found at <http://www.bsigroup.com/BSOL>

Further information about BSI is available on the BSI website at <http://www.bsigroup.com>.

Copyright

Copyright subsists in all BSI publications. BSI also holds the copyright, in the UK, of the publications of the international standardization bodies. Except as permitted under the Copyright, Designs and Patents Act 1988 no extract may be reproduced, stored in a retrieval system or transmitted in any form or by any means – electronic, photocopying, recording or otherwise – without prior written permission from BSI.

This does not preclude the free use, in the course of implementing the standard, of necessary details such as symbols, and size, type or grade designations. If these details are to be used for any other purpose than implementation then the prior written permission of BSI must be obtained.

Details and advice can be obtained from the Copyright and Licensing Manager. Tel: +44 (0)20 8996 7070 Email: copyright@bsigroup.com