

BS EN 15820:2011



BSI Standards Publication

**Polymer modified
bituminous thick coatings
for waterproofing
— Determination of
watertightness**

bsi.

...making excellence a habit.™

National foreword

This British Standard is the UK implementation of EN 15820:2011.

The UK participation in its preparation was entrusted to Technical Committee B/546, Flexible sheets for waterproofing and water vapour control.

A list of organizations represented on this committee can be obtained on request to its secretary.

This publication does not purport to include all the necessary provisions of a contract. Users are responsible for its correct application.

© BSI 2011

ISBN 978 0 580 62271 7

ICS 91.100.50

Compliance with a British Standard cannot confer immunity from legal obligations.

This British Standard was published under the authority of the Standards Policy and Strategy Committee on 31 July 2011.

Amendments issued since publication

Date	Text affected
------	---------------

EUROPEAN STANDARD

EN 15820

NORME EUROPÉENNE

EUROPÄISCHE NORM

March 2011

ICS 91.100.50

English Version

Polymer modified bituminous thick coatings for waterproofing - Determination of watertightness

Revêtements bitumineux épais modifiés aux polymères
pour imperméabilisation - Détermination de l'étanchéité à
l'eau

Kunststoffmodifizierte Bitumendickbeschichtungen zur
Bauwerksabdichtung - Bestimmung der Wasserdichtheit

This European Standard was approved by CEN on 13 February 2011.

CEN members are bound to comply with the CEN/CENELEC Internal Regulations which stipulate the conditions for giving this European Standard the status of a national standard without any alteration. Up-to-date lists and bibliographical references concerning such national standards may be obtained on application to the CEN-CENELEC Management Centre or to any CEN member.

This European Standard exists in three official versions (English, French, German). A version in any other language made by translation under the responsibility of a CEN member into its own language and notified to the CEN-CENELEC Management Centre has the same status as the official versions.

CEN members are the national standards bodies of Austria, Belgium, Bulgaria, Croatia, Cyprus, Czech Republic, Denmark, Estonia, Finland, France, Germany, Greece, Hungary, Iceland, Ireland, Italy, Latvia, Lithuania, Luxembourg, Malta, Netherlands, Norway, Poland, Portugal, Romania, Slovakia, Slovenia, Spain, Sweden, Switzerland and United Kingdom.



EUROPEAN COMMITTEE FOR STANDARDIZATION
COMITÉ EUROPÉEN DE NORMALISATION
EUROPÄISCHES KOMITEE FÜR NORMUNG

Management Centre: Avenue Marnix 17, B-1000 Brussels

Contents

Page

Foreword.....	3
1 Scope	4
2 Normative references	4
3 Terms and definitions	4
4 Principle.....	4
5 Apparatus	5
6 Test specimens	6
6.1 General.....	6
6.2 Preparation	6
6.3 Conditioning of test specimens	6
6.4 Dimensions of the test specimens.....	6
7 Procedure	7
7.1 Test conditions	7
7.2 Procedure	7
8 Expression of results and precision.....	7
8.1 Expression of results	7
8.2 Precision.....	7
9 Test report	7

Foreword

This document (EN 15820:2011) has been prepared by Technical Committee CEN/TC 361 "Project Committee — Polymer modified bituminous thick coatings for waterproofing — Definitions/requirements and test methods", the secretariat of which is held by DIN.

This European Standard shall be given the status of a national standard, either by publication of an identical text or by endorsement, at the latest by September 2011, and conflicting national standards shall be withdrawn at the latest by September 2011.

Attention is drawn to the possibility that some of the elements of this document may be the subject of patent rights. CEN [and/or CENELEC] shall not be held responsible for identifying any or all such patent rights.

According to the CEN/CENELEC Internal Regulations, the national standards organizations of the following countries are bound to implement this European Standard: Austria, Belgium, Bulgaria, Croatia, Cyprus, Czech Republic, Denmark, Estonia, Finland, France, Germany, Greece, Hungary, Iceland, Ireland, Italy, Latvia, Lithuania, Luxembourg, Malta, Netherlands, Norway, Poland, Portugal, Romania, Slovakia, Slovenia, Spain, Sweden, Switzerland and United Kingdom.

1 Scope

This European Standard specifies a procedure for determining the watertightness of polymer modified bituminous thick coatings for waterproofing (i.e. the resistance to hydraulic pressure).

2 Normative references

The following referenced documents are indispensable for the application of this document. For dated references, only the edition cited applies. For undated references, the latest edition of the referenced document (including any amendments) applies.

FprEN 15814:2011, *Polymer modified bituminous thick coatings for waterproofing — Definitions and requirements*

ISO 554, *Standard atmospheres for conditioning and/or testing — Specifications*

3 Terms and definitions

For the purposes of this document, the terms and definitions given in FprEN 15814:2011 apply.

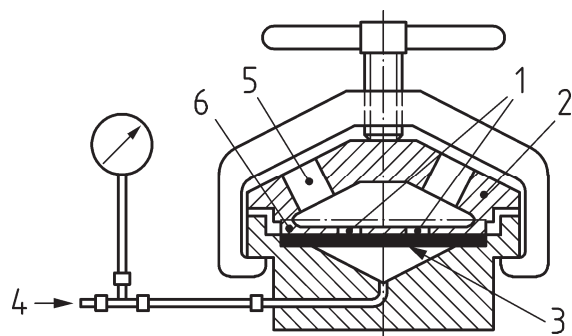
3.1
watertightness
the coating can be deemed watertight if the side of the specimen that is not exposed to water does not exhibit any leakage of water

4 Principle

Test procedure for polymer modified bituminous thick coatings intended for use in pressure application, e.g. pressured water in soil. Submission of a test specimen to a specified water pressure for at least 24 h against a disk containing four slots of specified form and dimensions. The test specimen is observed to establish whether it remains watertight.

5 Apparatus

The apparatus consists of a device (see Figures 1 and 2) by which a pressure can be applied to one side of a test specimen.



Key

- 1 slots
- 2 cover
- 3 test specimen
- 4 hydrostatic pressure
- 5 observation gap
- 6 slotted plate

Figure 1 — Slot pressure testing device for watertightness at high pressures

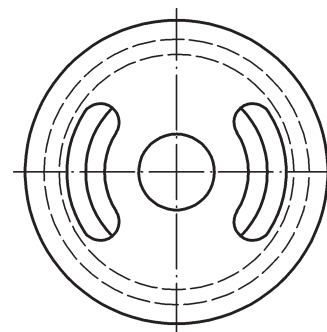
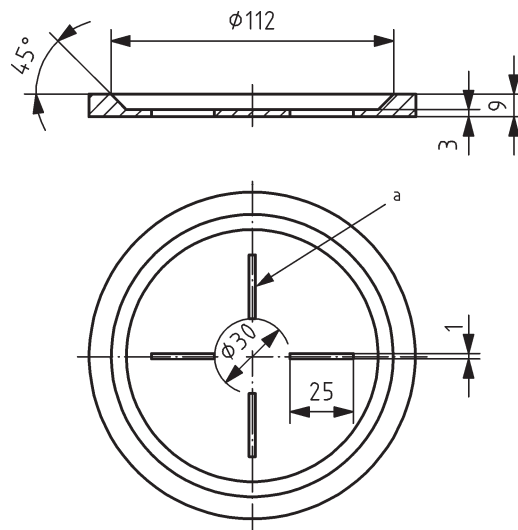


Figure 2 — Device for the slot pressure test: sketch of the cover

The test specimen is covered by a circular disk containing four slots. The form and dimensions of the slots are specified by the requirements indicated in Figure 3.

Dimensions in millimetres



Key

- ^a all edges of the slotted plate are rounded to a radius of 0,5 mm approximately

Figure 3 — Slotted plate

6 Test specimens

6.1 General

3 circular test specimen with a diameter equal to the extend diameter of the slotted plate (approximately 130 mm).

6.2 Preparation

Production of a membrane from the polymer modified bituminous thick coatings in accordance with classes defined in FprEN 15814:2011, Table 1. In case reinforcement is used the first layer is placed on a release layer with approximately half the thickness of the bitumen layer. Subsequently the reinforcement is incorporated and finally the second layer of bitumen is applied. The wet layer has to be that thick, that after drying process the designated dry layer thickness will be achieved. To provide the designated dry layer thickness the wet coating has to be levelled off with the help of a frame or gauge of accordant height.

6.3 Conditioning of test specimens

The test specimens shall be stored for at least 28 days at a normal climate of $(23 \pm 2) ^\circ\text{C}$ and a relative humidity of $(50 \pm 5) \%$ in accordance with ISO 554 prior to testing.

6.4 Dimensions of the test specimens

The thickness of the dry layer shall be measured using vernier callipers permitting a reading to 0,1 mm. 12 readings shall be taken. The highest and lowest values shall be ignored and the mean value calculated from the remaining 10 values.

7 Procedure

7.1 Test conditions

The test shall be carried out at (23 ± 2) °C.

The test pressure shall be specified in the product specification. It shall be ensured that the margins are watertight.

7.2 Procedure

Fill the apparatus in accordance with Figure 1 with water until overflowing. Place the test specimen with its upper side downwards in the apparatus and cover with the specified slotted plate. Place the cover and progressively tighten until the specimen is tightly in place. Pressurise progressively to the specified test pressure.

Once the test pressure is reached, maintain the pressure for a period according to the product specific but minimum 24 h.

Observe the watertightness of the test specimen after the testing time (sudden pressure drop or presence of water on the non exposed face of the test specimen).

8 Expression of results and precision

8.1 Expression of results

The watertightness test is considered passed if all test specimens remain watertight on the side subjected to the test pressure after the specified testing time.

8.2 Precision

Precision data are currently not available.

9 Test report

The test report shall include at least the following information:

- a) all details necessary to identify the product tested;
- b) a reference to this European Standard (i.e. EN 15820) and any deviation from it;
- c) details of preparation of test specimens in accordance with Clause 6;
- d) test procedure including:
 - test pressure;
 - test period;
 - specimen thickness;
 - deviation of test conditions;

- e) the test results in accordance with Clause 8;
- f) the dates of the tests.

British Standards Institution (BSI)

BSI is the national body responsible for preparing British Standards and other standards-related publications, information and services.

BSI is incorporated by Royal Charter. British Standards and other standardization products are published by BSI Standards Limited.

About us

We bring together business, industry, government, consumers, innovators and others to shape their combined experience and expertise into standards-based solutions.

The knowledge embodied in our standards has been carefully assembled in a dependable format and refined through our open consultation process. Organizations of all sizes and across all sectors choose standards to help them achieve their goals.

Information on standards

We can provide you with the knowledge that your organization needs to succeed. Find out more about British Standards by visiting our website at bsigroup.com/standards or contacting our Customer Services team or Knowledge Centre.

Buying standards

You can buy and download PDF versions of BSI publications, including British and adopted European and international standards, through our website at bsigroup.com/shop, where hard copies can also be purchased.

If you need international and foreign standards from other Standards Development Organizations, hard copies can be ordered from our Customer Services team.

Subscriptions

Our range of subscription services are designed to make using standards easier for you. For further information on our subscription products go to bsigroup.com/subscriptions.

With **British Standards Online (BSOL)** you'll have instant access to over 55,000 British and adopted European and international standards from your desktop. It's available 24/7 and is refreshed daily so you'll always be up to date.

You can keep in touch with standards developments and receive substantial discounts on the purchase price of standards, both in single copy and subscription format, by becoming a **BSI Subscribing Member**.

PLUS is an updating service exclusive to BSI Subscribing Members. You will automatically receive the latest hard copy of your standards when they're revised or replaced.

To find out more about becoming a BSI Subscribing Member and the benefits of membership, please visit bsigroup.com/shop.

With a **Multi-User Network Licence (MUNL)** you are able to host standards publications on your intranet. Licences can cover as few or as many users as you wish. With updates supplied as soon as they're available, you can be sure your documentation is current. For further information, email bsmusales@bsigroup.com.

BSI Group Headquarters

389 Chiswick High Road London W4 4AL UK

Revisions

Our British Standards and other publications are updated by amendment or revision.

We continually improve the quality of our products and services to benefit your business. If you find an inaccuracy or ambiguity within a British Standard or other BSI publication please inform the Knowledge Centre.

Copyright

All the data, software and documentation set out in all British Standards and other BSI publications are the property of and copyrighted by BSI, or some person or entity that owns copyright in the information used (such as the international standardization bodies) and has formally licensed such information to BSI for commercial publication and use. Except as permitted under the Copyright, Designs and Patents Act 1988 no extract may be reproduced, stored in a retrieval system or transmitted in any form or by any means – electronic, photocopying, recording or otherwise – without prior written permission from BSI. Details and advice can be obtained from the Copyright & Licensing Department.

Useful Contacts:

Customer Services

Tel: +44 845 086 9001

Email (orders): orders@bsigroup.com

Email (enquiries): cservices@bsigroup.com

Subscriptions

Tel: +44 845 086 9001

Email: subscriptions@bsigroup.com

Knowledge Centre

Tel: +44 20 8996 7004

Email: knowledgecentre@bsigroup.com

Copyright & Licensing

Tel: +44 20 8996 7070

Email: copyright@bsigroup.com



...making excellence a habit.™