

BS EN 15816:2011



BSI Standards Publication

Polymer-modified bituminous thick coatings for waterproofing — Resistance to rain

bsi.

...making excellence a habit.™

National foreword

This British Standard is the UK implementation of EN 15816:2011.

The UK participation in its preparation was entrusted to Technical Committee B/546, Flexible sheets for waterproofing and water vapour control.

A list of organizations represented on this committee can be obtained on request to its secretary.

This publication does not purport to include all the necessary provisions of a contract. Users are responsible for its correct application.

© BSI 2011

ISBN 978 0 580 62267 0

ICS 91.100.50

Compliance with a British Standard cannot confer immunity from legal obligations.

This British Standard was published under the authority of the Standards Policy and Strategy Committee on 31 August 2011.

Amendments issued since publication

Date	Text affected
------	---------------

EUROPEAN STANDARD

EN 15816

NORME EUROPÉENNE

EUROPÄISCHE NORM

March 2011

ICS 91.100.50

English Version

**Polymer-modified bituminous thick coatings for waterproofing -
Resistance to rain**Revêtements bitumineux épais modifiés aux polymères
pour imperméabilisation - Résistance à la pluieKunststoffmodifizierte Bitumendickbeschichtungen zur
Bauwerksabdichtung - Widerstand gegen Regen

This European Standard was approved by CEN on 13 February 2011.

CEN members are bound to comply with the CEN/CENELEC Internal Regulations which stipulate the conditions for giving this European Standard the status of a national standard without any alteration. Up-to-date lists and bibliographical references concerning such national standards may be obtained on application to the CEN-CENELEC Management Centre or to any CEN member.

This European Standard exists in three official versions (English, French, German). A version in any other language made by translation under the responsibility of a CEN member into its own language and notified to the CEN-CENELEC Management Centre has the same status as the official versions.

CEN members are the national standards bodies of Austria, Belgium, Bulgaria, Croatia, Cyprus, Czech Republic, Denmark, Estonia, Finland, France, Germany, Greece, Hungary, Iceland, Ireland, Italy, Latvia, Lithuania, Luxembourg, Malta, Netherlands, Norway, Poland, Portugal, Romania, Slovakia, Slovenia, Spain, Sweden, Switzerland and United Kingdom.

EUROPEAN COMMITTEE FOR STANDARDIZATION
COMITÉ EUROPÉEN DE NORMALISATION
EUROPÄISCHES KOMITEE FÜR NORMUNG**Management Centre: Avenue Marnix 17, B-1000 Brussels**

Contents

Page

Foreword.....	3
1 Scope	4
2 Normative references	4
3 Terms and definitions	4
4 Principle.....	4
5 Apparatus	4
6 Test specimens	5
6.1 General.....	5
6.2 Preparation	5
6.3 Dimensions of the test specimens.....	6
6.4 Conditioning of test specimens	6
7 Procedure	6
7.1 Test conditions	6
7.2 Procedure	6
8 Expression of results and precision.....	6
8.1 Expression of results	6
8.2 Precision	6
9 Test report	6

Foreword

This document (EN 15816:2011) has been prepared by Technical Committee CEN/TC 361 "Project Committee — Polymer modified bituminous thick coatings for waterproofing — Definitions/requirements and test methods", the secretariat of which is held by DIN.

This European Standard shall be given the status of a national standard, either by publication of an identical text or by endorsement, at the latest by September 2011, and conflicting national standards shall be withdrawn at the latest by September 2011.

Attention is drawn to the possibility that some of the elements of this document may be the subject of patent rights. CEN [and/or CENELEC] shall not be held responsible for identifying any or all such patent rights.

According to the CEN/CENELEC Internal Regulations, the national standards organizations of the following countries are bound to implement this European Standard: Austria, Belgium, Bulgaria, Croatia, Cyprus, Czech Republic, Denmark, Estonia, Finland, France, Germany, Greece, Hungary, Iceland, Ireland, Italy, Latvia, Lithuania, Luxembourg, Malta, Netherlands, Norway, Poland, Portugal, Romania, Slovakia, Slovenia, Spain, Sweden, Switzerland and United Kingdom.

1 Scope

This European Standard specifies a procedure for determining the resistance to rain of polymer modified bituminous thick coatings for waterproofing.

2 Normative references

The following referenced documents are indispensable for the application of this document. For dated references, only the edition cited applies. For undated references, the latest edition of the referenced document (including any amendments) applies.

EN 206-1, *Concrete — Part 1: Specification, performance, production and conformity*

FprEN 15814:2011, *Polymer modified bituminous thick coatings for waterproofing — Definitions and requirements*

ISO 228-1, *Pipe threads where pressure-tight joints are not made on the threads — Part 1: Dimensions, tolerances and designation*

ISO 554, *Standard atmospheres for conditioning and/or testing — Specifications*

3 Terms and definitions

For the purposes of this document, the terms and definitions given in FprEN 15814:2011 and the following apply.

3.1

resistance to rain

resistance of the polymer modified bituminous thick coatings to the damaging effects of exposure to rain

4 Principle

The test provides an indication of the resistance of a freshly applied polymer modified bituminous thick coating to rain. The time after which a coating layer can be said to be resistant to rain under the conditions prevailing on the building site can vary quite considerably from the time determined in the laboratory. The measured values are therefore primarily suitable for use to compare the resistance of different products to rain.

5 Apparatus

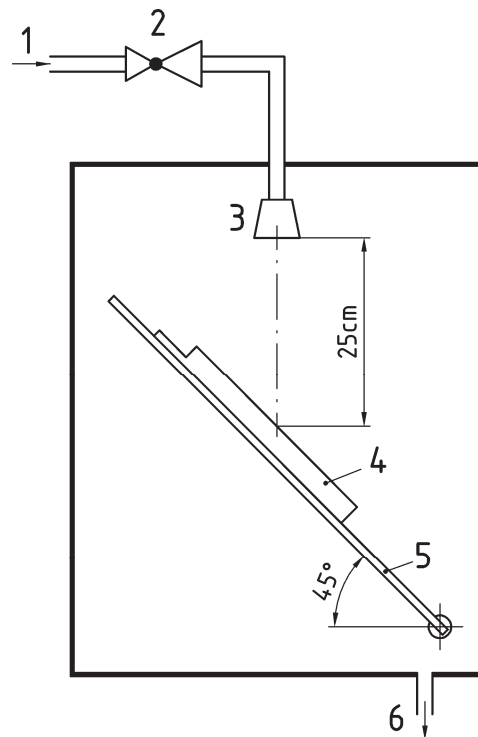
5.1 Sprinkler (see Figure 1) Standard conical nozzle made of copper-zinc alloy, pipe thread to ISO 228-1 – G1/4B, sprinkler cone 85°, flow rate 9l/min at 3 bar operating pressure; commercial pressure regulator with pressure gauge to indicate test pressure of $(2 \pm 0,1)$ bar; specimen holder to position the specimen at an angle of 45° to the sprinkling plane.

5.2 Nozzle holder to position the nozzle; the nozzle shall be placed such that the vertical distance between the nozzle and the centre of the surface of the specimen is 25 cm.

5.3 Connection to water mains, hoses, connectors.

5.4 Stop watch

5.5 Specimens: Base of concrete with a smooth or ground surface, of a compressive strength class not less than C20/25 in accordance with EN 206-1, to which a coating with an area of around 150 mm × 150 mm can be applied.



Key

- 1 connection to water mains gauge
- 2 pressure regulator with pressure
- 3 standard nozzle
- 4 specimen
- 5 specimen holder (at 45° angle)
- 6 outlet

Figure 1 — Sprinkler

6 Test specimens

6.1 General

At least two specimens are required for the test.

6.2 Preparation

The base shall be prepared and coated with a polymer modified bituminous thick coating as specified in the manufacturer's instructions for application. A wet layer with an average thickness of $(3 \pm 0,3)$ mm shall be applied. The edges shall be trimmed.

6.3 Dimensions of the test specimens

Test specimen with a size of approximately 150 mm × 150 mm.

6.4 Conditioning of test specimens

After coating, the specimens shall be left to stand for a period of time specified by the manufacturer, but not longer than 8 h in a normal climate of (23 ± 2) °C and a relative humidity of (50 ± 5) % in accordance with ISO 554.

7 Procedure

7.1 Test conditions

The test shall be carried out at (25 ± 5) °C.

7.2 Procedure

The specimens shall be tested after conditioning. Prior to the test the water pressure shall be set at $(2 \pm 0,1)$ bar when the water is running. Measure the temperature of the water.

Two specimens shall be tested either simultaneously in two test rigs or one immediately after the other in the same test rig. Place the specimen(s) in the holder under running water and start the stop watch. The test shall last 15 min. During the test, the water running off the test specimens shall be assessed for discolouration.

If necessary, repeat the test using different specimens.

8 Expression of results and precision

8.1 Expression of results

The water running off the test specimens shall not be discoloured during the test and the coating shall not deteriorate (e.g. surface erosion, water trapped in the material). In the event of such deterioration the test shall be repeated with a longer conditioning period on other specimens until at least two samples pass the test.

The test result shall be the shortest conditioning period in which two samples produce no discolouration, stated to 0,5 h. This is the time in which a layer of freshly applied polymer modified bituminous thick coating can be described as resistant to rain as defined in this test specification. The period shall not exceed 8 h.

8.2 Precision

Precision data are currently not available.

9 Test report

The test report shall include at least the following information:

- a) a reference to this European Standard (i.e. EN 15816);
- b) all details necessary to identify the product tested;
- c) test procedure including any deviations from the test conditions;

- d) the test results in accordance with Clause 8;
- e) the date of the tests.

British Standards Institution (BSI)

BSI is the national body responsible for preparing British Standards and other standards-related publications, information and services.

BSI is incorporated by Royal Charter. British Standards and other standardization products are published by BSI Standards Limited.

About us

We bring together business, industry, government, consumers, innovators and others to shape their combined experience and expertise into standards-based solutions.

The knowledge embodied in our standards has been carefully assembled in a dependable format and refined through our open consultation process. Organizations of all sizes and across all sectors choose standards to help them achieve their goals.

Information on standards

We can provide you with the knowledge that your organization needs to succeed. Find out more about British Standards by visiting our website at bsigroup.com/standards or contacting our Customer Services team or Knowledge Centre.

Buying standards

You can buy and download PDF versions of BSI publications, including British and adopted European and international standards, through our website at bsigroup.com/shop, where hard copies can also be purchased.

If you need international and foreign standards from other Standards Development Organizations, hard copies can be ordered from our Customer Services team.

Subscriptions

Our range of subscription services are designed to make using standards easier for you. For further information on our subscription products go to bsigroup.com/subscriptions.

With **British Standards Online (BSOL)** you'll have instant access to over 55,000 British and adopted European and international standards from your desktop. It's available 24/7 and is refreshed daily so you'll always be up to date.

You can keep in touch with standards developments and receive substantial discounts on the purchase price of standards, both in single copy and subscription format, by becoming a **BSI Subscribing Member**.

PLUS is an updating service exclusive to BSI Subscribing Members. You will automatically receive the latest hard copy of your standards when they're revised or replaced.

To find out more about becoming a BSI Subscribing Member and the benefits of membership, please visit bsigroup.com/shop.

With a **Multi-User Network Licence (MUNL)** you are able to host standards publications on your intranet. Licences can cover as few or as many users as you wish. With updates supplied as soon as they're available, you can be sure your documentation is current. For further information, email bsmusales@bsigroup.com.

BSI Group Headquarters

389 Chiswick High Road London W4 4AL UK

Revisions

Our British Standards and other publications are updated by amendment or revision.

We continually improve the quality of our products and services to benefit your business. If you find an inaccuracy or ambiguity within a British Standard or other BSI publication please inform the Knowledge Centre.

Copyright

All the data, software and documentation set out in all British Standards and other BSI publications are the property of and copyrighted by BSI, or some person or entity that owns copyright in the information used (such as the international standardization bodies) and has formally licensed such information to BSI for commercial publication and use. Except as permitted under the Copyright, Designs and Patents Act 1988 no extract may be reproduced, stored in a retrieval system or transmitted in any form or by any means – electronic, photocopying, recording or otherwise – without prior written permission from BSI. Details and advice can be obtained from the Copyright & Licensing Department.

Useful Contacts:

Customer Services

Tel: +44 845 086 9001

Email (orders): orders@bsigroup.com

Email (enquiries): cservices@bsigroup.com

Subscriptions

Tel: +44 845 086 9001

Email: subscriptions@bsigroup.com

Knowledge Centre

Tel: +44 20 8996 7004

Email: knowledgecentre@bsigroup.com

Copyright & Licensing

Tel: +44 20 8996 7070

Email: copyright@bsigroup.com



...making excellence a habit.™