

Particulate air filters for general ventilation — Standardised dimensions

ICS 91.140.30

National foreword

This British Standard is the UK implementation of EN 15805:2009.

The UK participation in its preparation was entrusted to Technical Committee MCE/21/3, Air filters other than for air supply for I.C. engines and compressors.

A list of organizations represented on this committee can be obtained on request to its secretary.

This publication does not purport to include all the necessary provisions of a contract. Users are responsible for its correct application.

Compliance with a British Standard cannot confer immunity from legal obligations.

This British Standard was published under the authority of the Standards Policy and Strategy Committee on 31 January 2010

© BSI 2010

ISBN 978 0 580 61928 1

Amendments/corrigenda issued since publication

Date	Comments

EUROPEAN STANDARD

EN 15805

NORME EUROPÉENNE

EUROPÄISCHE NORM

December 2009

ICS 91.140.30

English Version

Particulate air filters for general ventilation - Standardised dimensions

Filtres à air de ventilation générale pour l'élimination des particules - Dimensions normalisées

Partikel-Luftfilter für die allgemeine Raumlufttechnik - Standardisierte Abmessungen

This European Standard was approved by CEN on 21 November 2009.

CEN members are bound to comply with the CEN/CENELEC Internal Regulations which stipulate the conditions for giving this European Standard the status of a national standard without any alteration. Up-to-date lists and bibliographical references concerning such national standards may be obtained on application to the CEN Management Centre or to any CEN member.

This European Standard exists in three official versions (English, French, German). A version in any other language made by translation under the responsibility of a CEN member into its own language and notified to the CEN Management Centre has the same status as the official versions.

CEN members are the national standards bodies of Austria, Belgium, Bulgaria, Cyprus, Czech Republic, Denmark, Estonia, Finland, France, Germany, Greece, Hungary, Iceland, Ireland, Italy, Latvia, Lithuania, Luxembourg, Malta, Netherlands, Norway, Poland, Portugal, Romania, Slovakia, Slovenia, Spain, Sweden, Switzerland and United Kingdom.



EUROPEAN COMMITTEE FOR STANDARDIZATION
COMITÉ EUROPÉEN DE NORMALISATION
EUROPÄISCHES KOMITEE FÜR NORMUNG

Management Centre: Avenue Marnix 17, B-1000 Brussels

Contents

Foreword.....	3
1 Scope	4
2 Normative references	4
3 Terms and definitions	4
4 Face dimensions.....	5
Bibliography	7

Foreword

This document (EN 15805:2009) has been prepared by Technical Committee CEN/TC 195 “Air filters for general air cleaning”, the secretariat of which is held by UNI.

This European Standard shall be given the status of a national standard, either by publication of an identical text or by endorsement, at the latest by June 2010, and conflicting national standards shall be withdrawn at the latest by June 2010.

Attention is drawn to the possibility that some of the elements of this document may be the subject of patent rights. CEN [and/or CENELEC] shall not be held responsible for identifying any or all such patent rights.

This European Standard deals with the dimensions of air filters for general ventilation.

According to the CEN/CENELEC Internal Regulations, the national standards organizations of the following countries are bound to implement this European Standard: Austria, Belgium, Bulgaria, Cyprus, Czech Republic, Denmark, Estonia, Finland, France, Germany, Greece, Hungary, Iceland, Ireland, Italy, Latvia, Lithuania, Luxembourg, Malta, Netherlands, Norway, Poland, Portugal, Romania, Slovakia, Slovenia, Spain, Sweden, Switzerland and the United Kingdom.

1 Scope

This European Standard specifies the header frame dimensions of air filters for general ventilation to be used in air handling units, air intake system filters for rotary machinery and other applications. This includes pocket filters, rigid (V type) filters and filters to which header frame dimensions are applicable.

2 Normative references

The following referenced documents are indispensable for the application of this document. For dated references, only the edition cited applies. For undated references, the latest edition of the referenced document (including any amendments) applies.

EN 14799:2007, *Air filters for general air cleaning — Terminology*

3 Terms and definitions

For the purposes of this document, the terms and definitions given in EN 14799:2007 and the following apply.

3.1 face dimensions

width (W) and height (H) of the overall filter

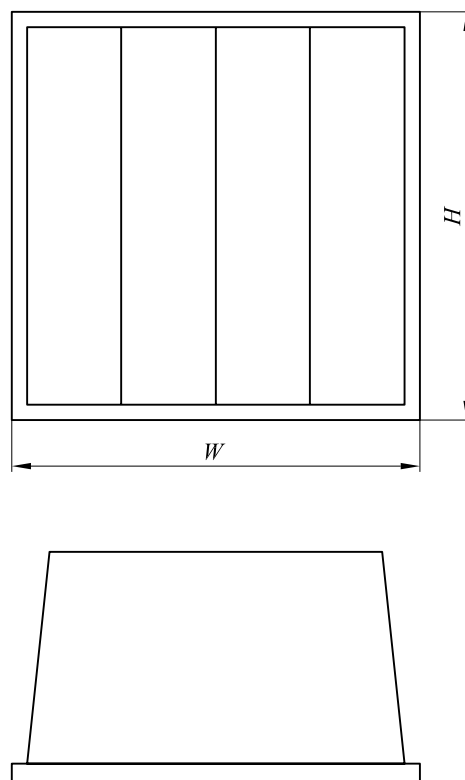
NOTE See Figure 1.

3.2 header frame

integral rigid frame of a filter enabling it to be fastened and sealed against the holding frame

3.3 holding frame

rigid structural frame, part of air handling system into which filters are fastened and sealed



Key

- W width of the overall filter
- H height of the overall filter

Figure 1 — Face dimensions of the air filter

4 Face dimensions

The face dimensions are indicated in Table 1. Permissible tolerances for holding frame dimensions are + 0 mm and - 2 mm. Permissible tolerances for filter face dimensions (header dimensions) are + 3 mm and - 2 mm.

Table 1 — Face dimensions

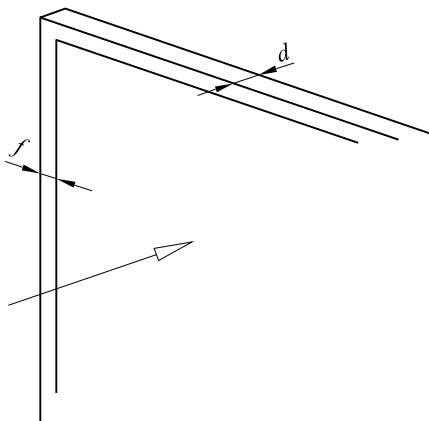
Holding frame dimensions (Nominal dimensions) ^a		Filter face dimensions (Header dimensions)	
Width	Height	Width	Height
mm	mm	mm	mm
610	610	592	592
508	610	490	592
305	610	287	592
610	305	592	287
508	305	490	287
305	305	287	287

^a Holding frame nominal dimensions are reported for information only. Actual holding frame dimensions shall be adapted to match the header dimensions defined in this standard.

The header frames dimensions shall be 18 mm smaller than the external dimensions of the corresponding holding frames.

For side access systems, the filter channel shall be designed to accommodate filter dimensions and tolerances defined in this standard.

The header frame depth (d) and width (f) are shown in Figure 2. The preferred depth shall be 25 mm. The alternative depth is 20 mm. The tolerance shall be $\pm 0,5$ mm. The width (f) shall be between 16 mm and 21 mm.



Key

- d header frame depth
- f header frame width

Figure 2 — Header frame depth and width

Bibliography

- [1] EUROVENT, Recommendation 09, *Standard front dimensions of air filters*

BSI - British Standards Institution

BSI is the independent national body responsible for preparing British Standards. It presents the UK view on standards in Europe and at the international level. It is incorporated by Royal Charter.

Revisions

British Standards are updated by amendment or revision. Users of British Standards should make sure that they possess the latest amendments or editions.

It is the constant aim of BSI to improve the quality of our products and services. We would be grateful if anyone finding an inaccuracy or ambiguity while using this British Standard would inform the Secretary of the technical committee responsible, the identity of which can be found on the inside front cover. Tel: +44 (0)20 8996 9000. Fax: +44 (0)20 8996 7400.

BSI offers members an individual updating service called PLUS which ensures that subscribers automatically receive the latest editions of standards.

Buying standards

Orders for all BSI, international and foreign standards publications should be addressed to Customer Services. Tel: +44 (0)20 8996 9001. Fax: +44 (0)20 8996 7001 Email: orders@bsigroup.com You may also buy directly using a debit/credit card from the BSI Shop on the Website <http://www.bsigroup.com/shop>

In response to orders for international standards, it is BSI policy to supply the BSI implementation of those that have been published as British Standards, unless otherwise requested.

Information on standards

BSI provides a wide range of information on national, European and international standards through its Library and its Technical Help to Exporters Service. Various BSI electronic information services are also available which give details on all its products and services. Contact Information Centre. Tel: +44 (0)20 8996 7111 Fax: +44 (0)20 8996 7048 Email: info@bsigroup.com

Subscribing members of BSI are kept up to date with standards developments and receive substantial discounts on the purchase price of standards. For details of these and other benefits contact Membership Administration. Tel: +44 (0)20 8996 7002 Fax: +44 (0)20 8996 7001 Email: membership@bsigroup.com

Information regarding online access to British Standards via British Standards Online can be found at <http://www.bsigroup.com/BSOL>

Further information about BSI is available on the BSI website at <http://www.bsigroup.com>.

Copyright

Copyright subsists in all BSI publications. BSI also holds the copyright, in the UK, of the publications of the international standardization bodies. Except as permitted under the Copyright, Designs and Patents Act 1988 no extract may be reproduced, stored in a retrieval system or transmitted in any form or by any means – electronic, photocopying, recording or otherwise – without prior written permission from BSI.

This does not preclude the free use, in the course of implementing the standard, of necessary details such as symbols, and size, type or grade designations. If these details are to be used for any other purpose than implementation then the prior written permission of BSI must be obtained.

Details and advice can be obtained from the Copyright and Licensing Manager. Tel: +44 (0)20 8996 7070 Email: copyright@bsigroup.com