

Fertilizers — Determination of nitric and ammoniacal nitrogen according to Devarda

ICS 65.080

National foreword

This British Standard is the UK implementation of EN 15476:2009. It supersedes DD CEN/TS 15476:2006 which is withdrawn.

The UK participation in its preparation was entrusted to Technical Committee CII/37, Fertilisers and related chemicals.

A list of organizations represented on this committee can be obtained on request to its secretary.

This publication does not purport to include all the necessary provisions of a contract. Users are responsible for its correct application.

Compliance with a British Standard cannot confer immunity from legal obligations.

This British Standard was published under the authority of the Standards Policy and Strategy Committee on 28 February 2009

© BSI 2009

ISBN 978 0 580 62382 0

Amendments/corrigenda issued since publication

Date	Comments

EUROPEAN STANDARD

EN 15476

NORME EUROPÉENNE

EUROPÄISCHE NORM

January 2009

ICS 65.080

Supersedes CEN/TS 15476:2006

English Version

**Fertilizers - Determination of nitric and ammoniacal nitrogen
according to Devarda**Engrais - Détermination de l'azote nitrique et ammoniacal
selon DevardaDüngemittel - Bestimmung von Nitrat- und
Ammoniumstickstoff nach Devarda

This European Standard was approved by CEN on 30 November 2008.

CEN members are bound to comply with the CEN/CENELEC Internal Regulations which stipulate the conditions for giving this European Standard the status of a national standard without any alteration. Up-to-date lists and bibliographical references concerning such national standards may be obtained on application to the CEN Management Centre or to any CEN member.

This European Standard exists in three official versions (English, French, German). A version in any other language made by translation under the responsibility of a CEN member into its own language and notified to the CEN Management Centre has the same status as the official versions.

CEN members are the national standards bodies of Austria, Belgium, Bulgaria, Cyprus, Czech Republic, Denmark, Estonia, Finland, France, Germany, Greece, Hungary, Iceland, Ireland, Italy, Latvia, Lithuania, Luxembourg, Malta, Netherlands, Norway, Poland, Portugal, Romania, Slovakia, Slovenia, Spain, Sweden, Switzerland and United Kingdom.

EUROPEAN COMMITTEE FOR STANDARDIZATION
COMITÉ EUROPÉEN DE NORMALISATION
EUROPÄISCHES KOMITEE FÜR NORMUNG**Management Centre: rue de Stassart, 36 B-1050 Brussels**

Contents

Page

Foreword.....	3
1 Scope	4
2 Normative references	4
3 Terms and definitions	4
4 Principle.....	4
5 Reagents.....	4
6 Apparatus	5
7 Sampling and sample preparation	7
8 Procedure	7
9 Calculation and expression of the result	10
10 Precision.....	10
11 Test report	10
Annex A (informative) Results of the inter-laboratory tests	12
Bibliography	13

Foreword

This document (EN 15476:2009) has been prepared by Technical Committee CEN/TC 260 “Fertilizers and liming materials”, the secretariat of which is held by DIN.

This European Standard shall be given the status of a national standard, either by publication of an identical text or by endorsement, at the latest by July 2009, and conflicting national standards shall be withdrawn at the latest by July 2009.

Attention is drawn to the possibility that some of the elements of this document may be the subject of patent rights. CEN [and/or CENELEC] shall not be held responsible for identifying any or all such patent rights.

This document supersedes CEN/TS 15476:2006.

This document has been prepared under a mandate given to CEN by the European Commission and the European Free Trade Association.

According to the CEN/CENELEC Internal Regulations, the national standards organizations of the following countries are bound to implement this European Standard: Austria, Belgium, Bulgaria, Cyprus, Czech Republic, Denmark, Estonia, Finland, France, Germany, Greece, Hungary, Iceland, Ireland, Italy, Latvia, Lithuania, Luxembourg, Malta, Netherlands, Norway, Poland, Portugal, Romania, Slovakia, Slovenia, Spain, Sweden, Switzerland and the United Kingdom.

1 Scope

This European Standard specifies a method for the determination of nitrate and ammoniacal nitrogen with reduction using Devarda alloy (modified for each of the variants a, b and c).

The method is applicable to all nitrogenous fertilizers, including compound fertilizers, in which nitrogen is found exclusively in nitrate form or in ammoniacal and nitrate form.

2 Normative references

The following referenced documents are indispensable for the application of this document. For dated references, only the edition cited applies. For undated references, the latest edition of the referenced document (including any amendments) applies.

EN 1482-2, *Fertilizers and liming materials — Sampling and sample preparation — Part 2: Sample preparation*

EN 12944-1:1999, *Fertilizers and liming materials and soil improvers — Vocabulary — Part 1: General terms*

EN 12944-2:1999, *Fertilizers and liming materials and soil improvers — Vocabulary — Part 2: Terms relating to fertilizers*

EN ISO 3696:1995, *Water for analytical laboratory use — Specification and test methods (ISO 3696:1987)*

3 Terms and definitions

For the purposes of this document, the terms and definitions given in EN 12944-1:1999 and EN 12944-2:1999 apply.

4 Principle

Reduction of nitrates and nitrites to ammonia in a strongly alkaline solution by means of a metallic alloy composed of 45 % Al, 5 % Zn and 50 % Cu (Devarda alloy). Distillation of the ammonia and determination of the yield in a known volume of standard sulfuric acid; titration of the excess sulfuric acid by means of a standard solution of sodium or potassium hydroxide.

5 Reagents

5.1 General

Use only reagents of recognized analytical grade and distilled or demineralized water, free from carbon dioxide and all nitrogenous compounds (grade 3 according to EN ISO 3696:1995).

5.2 Diluted hydrochloric acid, mix one volume of $\rho(\text{HCl}) = 1,18 \text{ g/ml}$ with one volume of water.

5.3 Sulfuric acid (for variant a), $c = 0,05 \text{ mol/l}$.

5.4 Sodium or potassium hydroxide solution (for variant a), carbonate free, $c = 0,1 \text{ mol/l}$.

5.5 Sulfuric acid (for variant b, see NOTE 2 in 8.4), $c = 0,1 \text{ mol/l}$.

5.6 Sodium or potassium hydroxide solution (for variant b, see NOTE 2 in 8.4),

carbonate free, $c = 0,2 \text{ mol/l}$.

5.7 Sulfuric acid (for variant c, see NOTE 2 in 8.4), $c = 0,25 \text{ mol/l}$.

5.8 Sodium or potassium hydroxide solution (for variant c, see NOTE 2 in 8.4),

carbonate free, $c = 0,5 \text{ mol/l}$.

5.9 Devarda alloy for analysis

Powdered in such way that a mass fraction of 90 % to 100 % will pass through a sieve with apertures less than 0,25 mm square, a mass fraction of 50 % to 75 % will pass through a sieve with apertures of less than 0,075 mm square.

Pre-packed bottles containing a maximum of 100 g are recommended.

5.10 Sodium hydroxide solution, 30 % of approximately $\rho(\text{NaOH}) = 1,33 \text{ g/ml}$, ammonia free.

5.11 Indicator solutions

5.11.1 Mixed indicator

Solution A: Dissolve 1 g of methyl red in 37 ml of sodium hydroxide solution $c = 0,1 \text{ mol/l}$ and make up to 1 l with water.

Solution B: Dissolve 1 g of methylene blue in water and make up to 1 l.

Mix one volume of A with two volumes of B.

This indicator is violet in acid solution, grey in neutral solution and green in alkaline solution. Use 0,5 ml (10 drops) of this indicator solution.

5.11.2 Methyl red indicator solution

Dissolve 0,1 g of methyl red in 50 ml of 95 % ethanol. Make up to 100 ml with water and filter if necessary. This indicator may be used (4 to 5 drops) instead of the preceding one. This indicator is red in acid solution and yellow in alkaline solution.

5.12 Ethanol, with a mass fraction of 95 % to 96 % ethanol.

5.13 Sodium nitrate, p. a.

6 Apparatus

6.1 Distillation apparatus

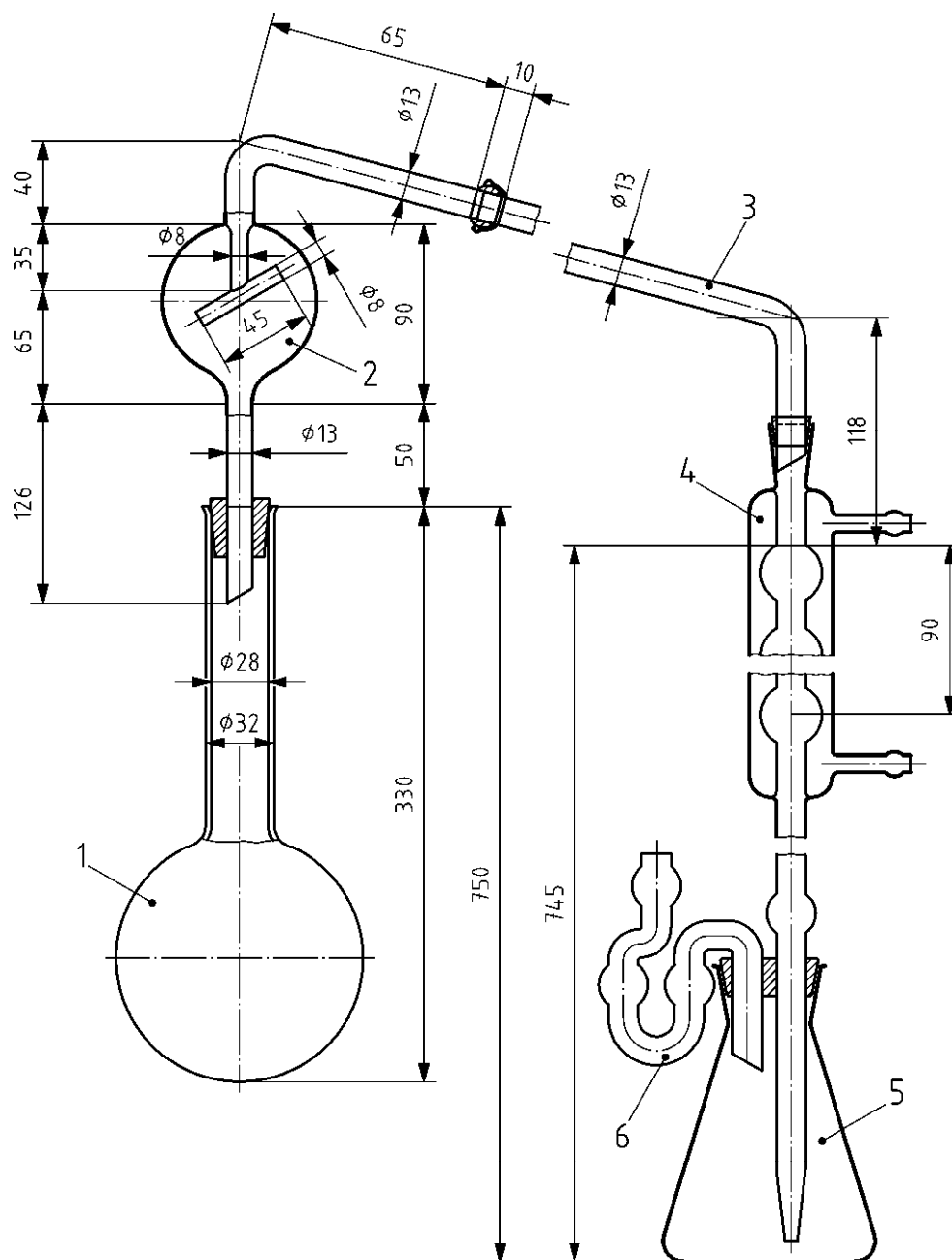
Consisting of a round-bottomed flask of suitable capacity, connected to a condenser by a distillation tube with a splash head, additionally equipped with a bubble trap on the receiving flask to prevent any loss of ammonia.

The type of apparatus recommended for this determination is reproduced, showing all the features of construction, in Figure 1.

The equipment is made of borosilicate glass.

An automatic distillation apparatus may be used as well provided that the results are statistically equivalent.

Dimensions in millimetres



Key

- 1 750 ml or 1 000 ml round-bottomed, long-necked flask with a bell mouth.
- 2 distillation tube with a splash head and a No 18 spherical joint at the issue
- 3 elbow tube with a No 18 spherical joint at the entrance, and a drip cone at the issue (a suitable rubber connection may be used instead of the spherical joint)
- 4 six-bulb condenser with an extension tube mounted on a rubber bung holding a bubble trap
- 5 750 ml receiving flask
- 6 bubble trap to prevent loss of ammonia

Figure 1 — Distillation apparatus

6.2 Pipettes, capacity of 10 ml, 20 ml, 25 ml, 50 ml, 100 ml and 200 ml.

6.3 Graduated flask, capacity 500 ml.

6.4 Rotary shaker, 35 to 40 revolutions per minute.

7 Sampling and sample preparation

Sampling is not part of the method specified in this document. A recommended sampling method is given in EN 1482-1.

Sample preparation shall be carried out in accordance with EN 1482-2.

8 Procedure

8.1 Preparation of the solution

According to Table 1, Table 2 or Table 3, depending on the variant chosen weigh to the nearest 0,001 g, a quantity of 5 g, 7 g or 10 g of the prepared sample and transfer into a beaker glass of 250 ml.

Add about 50 ml of water and 20 ml hydrochloric acid (5.2).

Cover the beaker, heat until boiling and cool down.

Filter the content of the beaker and collect the filtrate and the rinse water in a volumetric flask of 500 ml, dilute to the mark with water and mix homogeneously.

8.2 Analysis of the solution

The quantity of nitric nitrogen present in the aliquot part of the solution shall not exceed the maximum quantity expressed in Table 1, Table 2 or Table 3.

According to the variant chosen, place in the receiving flask an exactly measured quantity of standard sulfuric acid as indicated in Table 1. Add the appropriate quantity of the chosen indicator solution (5.11.1 or 5.11.2) and finally, sufficient water to give a volume of 50 ml. The end of the extension tube of the condenser shall be underneath the surface of the solution. Fill the bubble trap with water.

Using a precision pipette, take an aliquot part as indicated in Table 1. Place it in the distillation flask.

Add sufficient water to the distillation flask to obtain a volume of 250 ml to 300 ml, 5 ml ethanol (5.12) and 4 g Devarda's alloy (5.9), (see NOTE).

Taking the necessary precautions to avoid loss of ammonia, add to the flask about 30 ml of 30 % sodium hydroxide solution (5.10) and finally, in the case of acid soluble samples an additional quantity sufficient to neutralize the quantity of hydrochloric acid (5.2) present in the aliquot part taken for the analysis. Connect the distillation flask to the apparatus, ensuring the tightness of connections. Carefully shake the flask to mix the contents.

Warm gently, so that the release of hydrogen decreases appreciably over about half an hour and the liquid will boil. Continue the distillation, increasing the heat so that at least 200 ml liquid distils in about 30 min (do not prolong the distillation beyond 45 min).

When the distillation is complete, disconnect the receiving flask from the apparatus; carefully wash the extension tube and bubble trap, collecting the rinsing in the titration flask and titrate the surplus acid with the standard solution of sodium or potassium hydroxide prescribed for the variant adopted (see NOTE 2 in 8.4).

NOTE In the presence of calcium salts such as calcium nitrate and calcium ammonium nitrate, it is necessary to add before distillation for each gram of sample present in the aliquot, 0,700 g sodium phosphate ($\text{Na}_2\text{HPO}_4 \cdot 2\text{H}_2\text{O}$) to prevent the formation of $\text{Ca}(\text{OH})_2$.

8.3 Blank test

Carry out a blank test (omitting the sample) under the same conditions and refer to this in the calculation of the final result.

8.4 Control test

Before carrying out the analysis, check that the apparatus is working properly and that the correct application of the method is used, using an aliquot of a freshly prepared solution of sodium nitrate (5.13) containing, according to the variant chosen, 0,050 g to 0,150 g of nitrate nitrogen.

NOTE 1 When the sample solution is acid (addition of 20 ml of HCl (5.2) to dissolve the sample) the aliquot part taken for analysis is neutralized in the following way: to the distillation flask containing the taken aliquot part add about 250 ml of water, the necessary quantity of one of the indicators (5.11.1, 5.11.2) and shake carefully. Neutralize with 2 mol/l sodium hydroxide solution (5.9) and acidify again with a drop of hydrochloric acid (5.2). Then proceed as indicated in 8.2 (second line).

NOTE 2 Standard solutions of different strengths may be used for the back titration provided that the volumes used for the titration do not, as far as possible, exceed 40 ml to 45 ml.

Table 1 — Weighing, dilution and calculation variant a

Declaration % N	Amount to be weighed g	Dilution ml	Solution of sample to be distilled ml	Expression of the result ^a $N = (50 - A) F$
0 to 5	10	500	50	$(50 - A) \times 0,14$
5 to 10	10	500	25	$(50 - A) \times 0,28$
10 to 15	7	500	25	$(50 - A) \times 0,40$
15 to 20	5	500	25	$(50 - A) \times 0,56$
20 to 40	7	500	10	$(50 - A) \times 1,00$
Approximate maximum quantity of nitrogen to be distilled: 50 mg.				
Sulfuric acid $c=0,05$ mol/l to be placed in the receiving flask: 50 ml.				
Back titration with NaOH or KOH $c=0,1$ mol/l.				
^a For the purposes of the formula for expression of the result: <ul style="list-style-type: none"> — 50 = millilitres of standard solution of sulfuric acid to be placed in the receiving flask; — A = millilitres of sodium or potassium hydroxide used for the back titration; — F = factor comprising the amount weighed, the dilution, the aliquot part of solution of the sample to be distilled and the volumetric equivalent; — N = percentage mass fraction of nitrogen. 				

Table 2 — Weighing, dilution and calculation variant b

Declaration % <i>N</i>	Amount to be weighed g	Dilution ml	Solution of sample to be distilled ml	Expression of the result ^a $N = (50 - A) F$
0 to 5	10	500	100	$(50 - A) \times 0,14$
5 to 10	10	500	50	$(50 - A) \times 0,28$
10 to 15	7	500	50	$(50 - A) \times 0,40$
15 to 20	5	500	50	$(50 - A) \times 0,56$
20 to 40	7	500	20	$(50 - A) \times 1,00$

Approximate maximum quantity of nitrogen to be distilled: 100 mg.
Sulfuric acid $c=0,1$ mol/l to be placed in the receiving flask: 50 ml.
Back titration with NaOH or KOH $c=0,2$ mol/l.

^a For the purposes of the formula for expression of the result:

- 50 = millilitres of standard solution of sulfuric acid to be placed in the receiving flask;
- A = millilitres of sodium or potassium hydroxide used for the back titration;
- F = factor comprising the amount weighed, the dilution, the aliquot part of solution of the sample to be distilled and the volumetric equivalent;
- N = percentage mass fraction of nitrogen.

Table 3 — Weighing, dilution and calculation variant c

Declaration % <i>N</i>	Amount to be weighed g	Dilution ml	Solution of sample to be distilled ml	Expression of the result ^a $N = (35 - A) F$
0 to 5	10	500	200	$(35 - A) \times 0,175$
5 to 10	10	500	100	$(35 - A) \times 0,350$
10 to 15	7	500	100	$(35 - A) \times 0,500$
15 to 20	5	500	100	$(35 - A) \times 0,700$
20 to 40	5	500	50	$(35 - A) \times 1,400$

Approximate maximum quantity of nitrogen to be distilled: 200 mg.
Sulfuric acid $c=0,25$ mol/l to be placed in the receiving flask: 35 ml.
Back titration with NaOH or KOH $c=0,5$ mol/l.

^a For the purposes of the formula for expression of the result:

- 35 = millilitres of standard solution of sulfuric acid to be placed in the receiving flask;
- A = millilitres of sodium or potassium hydroxide used for the back titration;
- F = factor comprising the amount weighed, the dilution, the aliquot part of solution of the sample to be distilled and the volumetric equivalent;
- N = percentage mass fraction of nitrogen.

9 Calculation and expression of the result

Express the result of analysis as a percentage of nitrate nitrogen or combined ammoniacal and nitrate nitrogen contained in the fertilizer as received for analysis. Calculation shall be performed in accordance with Table 1 (variant a), Table 2 (variant b) or Table 3 (variant c).

10 Precision

10.1 Inter-laboratory test

An inter-laboratory test has been carried out in 2004 with 23 participating laboratories and four different samples of fertilizers and phosphate types. This test yielded the data given in Annex A. Repeatability and reproducibility were calculated according to ISO 5725-1.

The values derived from this inter-laboratory test might not be applicable to concentration ranges and matrices other than those given in Annex A.

10.2 Repeatability

The absolute difference between two independent single test results, obtained with the same method on identical test material in the same laboratory by the same operator using the same equipment within a short interval of time, will in not more than 5 % of the cases exceed the values of r given in Table 4.

10.3 Reproducibility

The absolute difference between two single test results, obtained with the same method on identical test material in different laboratories by different operators using different equipment, will in not more than 5 % of the cases exceed the values of R given in Table 4.

Table 4 — Mean values, repeatability and reproducibility limits

Sample	x %	r %	R %
Ammonium nitrate 33,5 % (AN 33.5)	33,45	0,12	0,77
Calcium ammonium nitrate 27 % (CAN 27)	26,97	0,17	0,60
NPK1 (14-8-24+8S)	14,14	0,12	0,63
NPK2 (16-16-8+4S)	16,04	0,10	0,60
DI-ammonium phosphate (DAP)	17,70	0,15	0,51

11 Test report

The test report shall contain at least the following information:

- all information necessary for the complete identification of the sample;
- test method used with reference to this document;
- test results obtained expressed as percentage mass fraction of ammoniacal nitrogen in the fertilizer;
- date of sampling and sampling procedure (if known);
- date when the analysis was finished;
- whether the requirement of the repeatability limit has been fulfilled;

- g) all operating details not specified in this document, or regarded as optional, together with details of any incidents occurred when performing the method which might have influenced the test result(s).

Annex A
(informative)

Results of the inter-laboratory tests

The precision of the method was established in 2004 by Working Group 7 “Chemical analysis” of CEN/TC 260 “Fertilizers and liming materials” in an inter-laboratory test evaluated in accordance with ISO 5725-1. The statistical results are given in Table A.1.

Table A.1 — Statistical results of the inter-laboratory test

Parameter	Sample				
	AN 33.5	CAN 27	NPK1 (14-8-24+8S)	NPK2 (16-16-8+4S)	DAP
Number of participating laboratories	21	19	23	23	21
Number of laboratories after elimination of outliers (accepted test results)	18	16	22	21	19
Mean value \bar{x} (%)	33,45	26,97	14,14	16,04	17,70
Repeatability standard deviation s_r (%)	0,04	0,06	0,04	0,04	0,05
RSD_r (%)	0,13	0,23	0,31	0,23	0,30
Repeatability limit r (%)	0,12	0,17	0,12	0,10	0,15
Reproducibility-standard deviation s_R (mg/kg)	0,28	0,22	0,22	0,21	0,18
RSD_R (%)	0,83	0,80	1,58	1,33	1,03
Reproducibility limit R (%)	0,77	0,60	0,63	0,60	0,51

Bibliography

- [1] EN 1482-1, Fertilizers and liming materials — Sampling and sample preparation — Part 1: Sampling
- [2] ISO 5725-1, Accuracy (trueness and precision) of measurement methods and results — Part 1: General principles and definitions
- [3] Regulation (EC) No 2003/2003 of the European Parliament and of the Council of 13 October 2003 relating to fertilisers, Official Journal L 304, 21/11/2003 P. 0001-0194, Annex IV, method 2.2.3

BSI - British Standards Institution

BSI is the independent national body responsible for preparing British Standards. It presents the UK view on standards in Europe and at the international level. It is incorporated by Royal Charter.

Revisions

British Standards are updated by amendment or revision. Users of British Standards should make sure that they possess the latest amendments or editions.

It is the constant aim of BSI to improve the quality of our products and services. We would be grateful if anyone finding an inaccuracy or ambiguity while using this British Standard would inform the Secretary of the technical committee responsible, the identity of which can be found on the inside front cover. Tel: +44 (0)20 8996 9000. Fax: +44 (0)20 8996 7400.

BSI offers members an individual updating service called PLUS which ensures that subscribers automatically receive the latest editions of standards.

Buying standards

Orders for all BSI, international and foreign standards publications should be addressed to Customer Services. Tel: +44 (0)20 8996 9001. Fax: +44 (0)20 8996 7001 Email: orders@bsigroup.com You may also buy directly using a debit/credit card from the BSI Shop on the Website <http://www.bsigroup.com/shop>

In response to orders for international standards, it is BSI policy to supply the BSI implementation of those that have been published as British Standards, unless otherwise requested.

Information on standards

BSI provides a wide range of information on national, European and international standards through its Library and its Technical Help to Exporters Service. Various BSI electronic information services are also available which give details on all its products and services. Contact Information Centre. Tel: +44 (0)20 8996 7111 Fax: +44 (0)20 8996 7048 Email: info@bsigroup.com

Subscribing members of BSI are kept up to date with standards developments and receive substantial discounts on the purchase price of standards. For details of these and other benefits contact Membership Administration. Tel: +44 (0)20 8996 7002 Fax: +44 (0)20 8996 7001 Email: membership@bsigroup.com

Information regarding online access to British Standards via British Standards Online can be found at <http://www.bsigroup.com/BSOL>

Further information about BSI is available on the BSI website at <http://www.bsigroup.com>.

Copyright

Copyright subsists in all BSI publications. BSI also holds the copyright, in the UK, of the publications of the international standardization bodies. Except as permitted under the Copyright, Designs and Patents Act 1988 no extract may be reproduced, stored in a retrieval system or transmitted in any form or by any means – electronic, photocopying, recording or otherwise – without prior written permission from BSI.

This does not preclude the free use, in the course of implementing the standard, of necessary details such as symbols, and size, type or grade designations. If these details are to be used for any other purpose than implementation then the prior written permission of BSI must be obtained.

Details and advice can be obtained from the Copyright and Licensing Manager. Tel: +44 (0)20 8996 7070 Email: copyright@bsigroup.com