

Shutters — Acoustic insulation relative to airborne sound — Expression of performance

The European Standard EN 14759:2005 has the status of a
British Standard

ICS 91.060.50; 91.120.20

National foreword

This British Standard is the official English language version of EN 14759:2005.

The UK participation in its preparation was entrusted by Technical Committee B/538, Doors, windows, shutters, hardware and curtain walling, to Subcommittee B/538/3, Domestic shutters and blinds, which has the responsibility to:

- aid enquirers to understand the text;
- present to the responsible international/European committee any enquiries on the interpretation, or proposals for change, and keep the UK interests informed;
- monitor related international and European developments and promulgate them in the UK.

A list of organizations represented on this subcommittee can be obtained on request to its secretary.

Cross-references

The British Standards which implement international or European publications referred to in this document may be found in the *BSI Catalogue* under the section entitled “International Standards Correspondence Index”, or by using the “Search” facility of the *BSI Electronic Catalogue* or of British Standards Online.

This publication does not purport to include all the necessary provisions of a contract. Users are responsible for its correct application.

Compliance with a British Standard does not of itself confer immunity from legal obligations.

Summary of pages

This document comprises a front cover, an inside front cover, the EN title page, pages 2 to 8, an inside back cover and a back cover.

The BSI copyright notice displayed in this document indicates when the document was last issued.

Amendments issued since publication

Amd. No.	Date	Comments

This British Standard was published under the authority of the Standards Policy and Strategy Committee on 28 April 2005

© BSI 28 April 2005

ISBN 0 580 45960 8

EUROPEAN STANDARD

EN 14759

NORME EUROPÉENNE

EUROPÄISCHE NORM

April 2005

ICS 91.060.50; 91.120.20

English version

Shutters - Acoustic insulation relative to airborne sound - Expression of performance

Fermetures - Isolation acoustique vis à vis des bruits
aériens - Présentation de la performance

Abschlüsse außen - Luftschalldämmung - Angabe der
Leistungen

This European Standard was approved by CEN on 28 February 2005.

CEN members are bound to comply with the CEN/CENELEC Internal Regulations which stipulate the conditions for giving this European Standard the status of a national standard without any alteration. Up-to-date lists and bibliographical references concerning such national standards may be obtained on application to the Central Secretariat or to any CEN member.

This European Standard exists in three official versions (English, French, German). A version in any other language made by translation under the responsibility of a CEN member into its own language and notified to the Central Secretariat has the same status as the official versions.

CEN members are the national standards bodies of Austria, Belgium, Cyprus, Czech Republic, Denmark, Estonia, Finland, France, Germany, Greece, Hungary, Iceland, Ireland, Italy, Latvia, Lithuania, Luxembourg, Malta, Netherlands, Norway, Poland, Portugal, Slovakia, Slovenia, Spain, Sweden, Switzerland and United Kingdom.



EUROPEAN COMMITTEE FOR STANDARDIZATION
COMITÉ EUROPÉEN DE NORMALISATION
EUROPÄISCHES KOMITEE FÜR NORMUNG

Management Centre: rue de Stassart, 36 B-1050 Brussels

Contents

	Page
Foreword.....	3
1 Scope	4
2 Normative references	4
3 Terms and definitions	4
4 Acoustical performances of shutters	4
4.1 Assessment of performances	4
4.2 Built-in shutter with window (see Figure 1)	5
4.3 Built-in or built-on shutter (see Figures 2 and 3)	6
5 Expression of performance	7

Foreword

This document (EN 14759:2005) has been prepared by Technical Committee CEN/TC 33 “Doors, windows, shutters, building hardware and curtain walling”, the secretariat of which is held by AFNOR.

This European Standard shall be given the status of a national standard, either by publication of an identical text or by endorsement, at the latest by October 2005, and conflicting national standards shall be withdrawn at the latest by October 2005.

This document is part of a series of standards dealing with blinds and shutters for buildings as defined in EN 12216.

This European Standard specifies a method to define the sound reduction index of external shutters fitted to a window or a French window as a specific performance in complement of the intrinsic performances of EN 13659.

The specifications for size, boundary and mounting conditions related to laboratory tests are described in EN ISO 140-3.

According to the CEN/CENELEC Internal Regulations, the national standards organizations of the following countries are bound to implement this European Standard: Austria, Belgium, Cyprus, Czech Republic, Denmark, Estonia, Finland, France, Germany, Greece, Hungary, Iceland, Ireland, Italy, Latvia, Lithuania, Luxembourg, Malta, Netherlands, Norway, Poland, Portugal, Slovakia, Slovenia, Spain, Sweden, Switzerland and United Kingdom.

1 Scope

The current standard applies to manufacturers of windows who wish to take advantage of additional acoustical performances brought by built-in shutter with window delivered as such on the market or brought by the addition of a shutter delivered separately (built-in shutter installed in a prefabricated box or built-on shutter).

2 Normative references

The following referenced documents are indispensable for the application of this document. For dated references, only the edition cited applies. For undated references, the latest edition of the referenced document (including any amendments) applies.

EN 12216:2002, *Shutters, external blinds, internal blinds — Terminology, glossary and definitions*.

EN ISO 717-1, *Acoustics — Rating of sound insulation in buildings and of building elements — Part 1: Airborne sound insulation (ISO 717-1:1996)*.

3 Terms and definitions

For the purposes of this document, the terms and definitions given in EN 12216:2002 apply together with the following:

distance window / shutter, d

smallest distance between the internal face of the curtain and the external face of the glazing

4 Acoustical performances of shutters

4.1 Assessment of performances

The acoustical performance of shutters, in decibels, is specified by R_w , the weighted sound reduction index of airborne sound, with the spectrum adaptation terms C and C_{tr} , referring to A-weighted pink noise and A-weighted urban traffic noise respectively, according to the procedure of evaluation specified in EN ISO 717-1 (using measurements in third octave bands).

$$R_w (C;C_{tr})$$

NOTE 1 The additional acoustical performance of the shutter depends on the acoustical performance of the window fitted, on the distance d and of the quality of the installation.

NOTE 2 The influence of the shutter on the sound insulation depends on the construction details. A shutter does not necessarily improve the sound insulation determined according to EN ISO 717-1, and there might even be a risk of decrease of sound insulation in some cases.

The acoustic performance also depends on the type of mounting of the shutter or the built-in shutter with window in the opening. The following six types of mounting are defined:

— For a built-in shutter with window (see Figure 1)

Type 1: The box is behind the lintel

Type 2: The box is inside the opening

— For a built-in shutter (see Figure 2)

Type 3: The box is fabricated behind the lintel

Type 4: the box is a prefabricated box

— For a built-on shutter (see Figure 3)

Type 5: The box is outside the opening

Type 6: The box is inside the opening

4.2 Built-in shutter with window (see Figure 1)

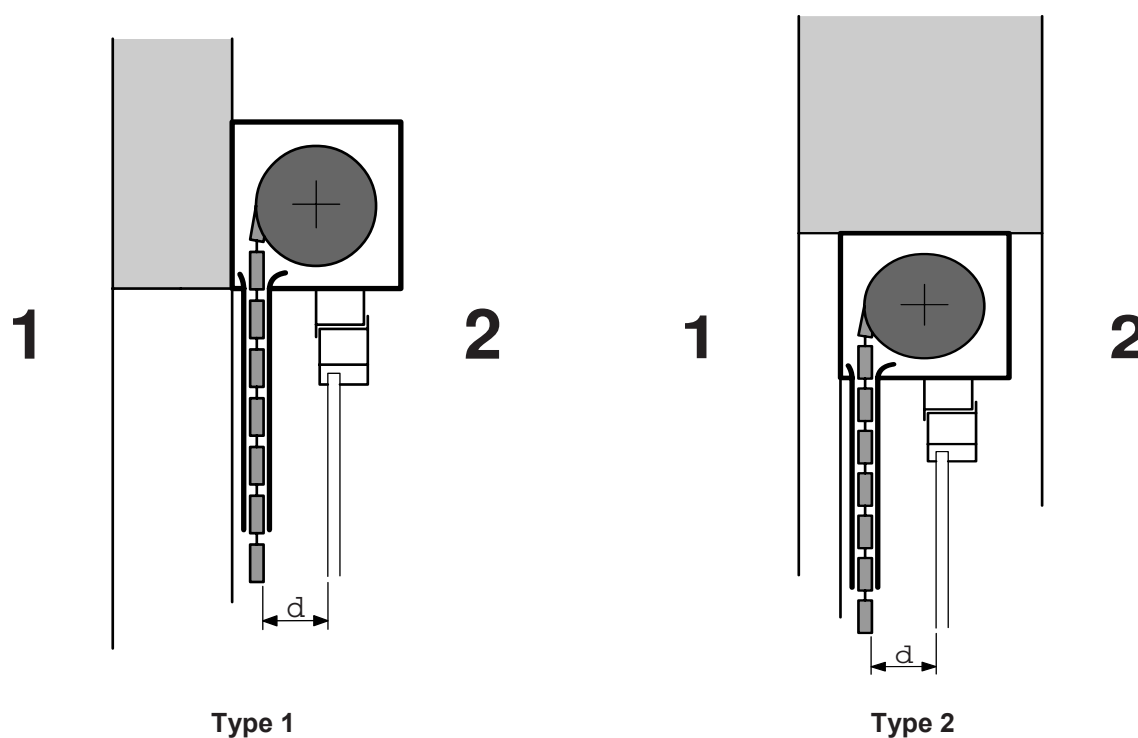
The built-in shutter with window is stated by the following values:

— $R_w(C;C_{tr})_{(shutter\ retracted)}$, weighted sound reduction index of the closed window, the shutter being in the fully retracted position;

— $R_w(C;C_{tr})_{(shutter\ extended)}$, weighted sound reduction index of the built-in shutter with window, the window being in the closed position and the shutter in the fully extended and closed position;

— **The type of mounting.**

The type of mounting, Type 1 or Type 2, shall be specified.



Key

- | | |
|---|---------------|
| 1 | Exterior side |
| 2 | Interior side |

Figure 1 — Built-in shutter with window

4.3 Built-in or built-on shutter (see Figures 2 and 3)

The performance of the shutter is specified for a given performance of window and for a given distance window / shutter d , specified in the technical instructions of the window manufacturer.

The combined window / shutter is stated by the following values:

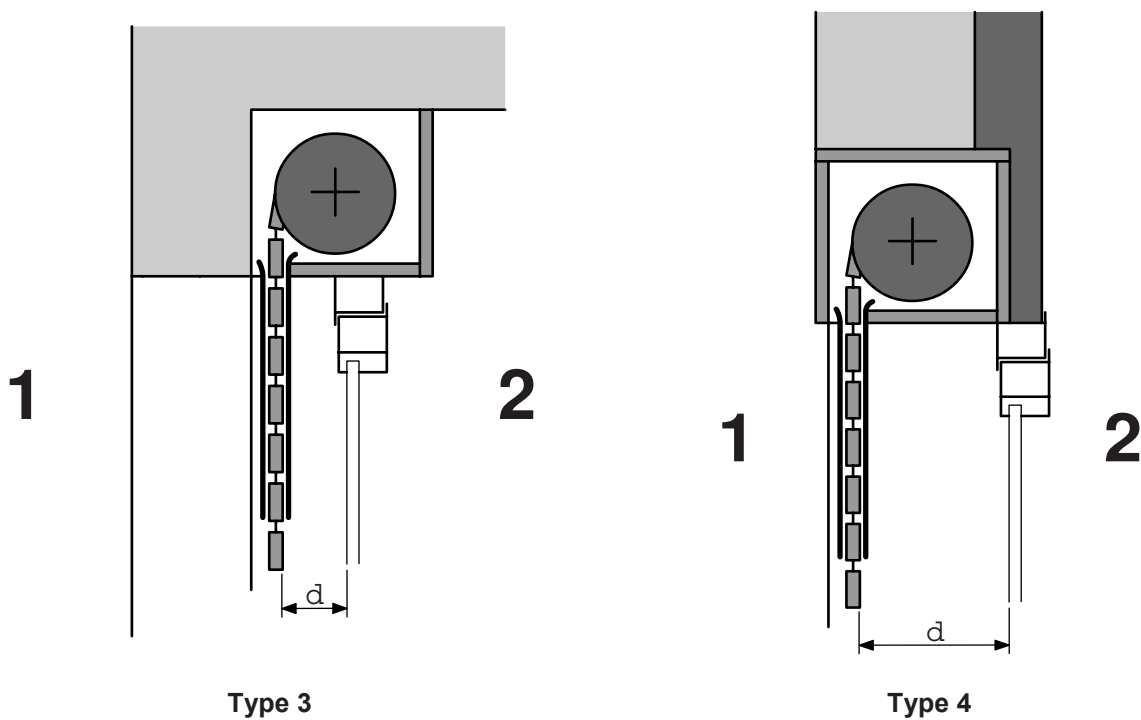
— $R_w (C; C_{tr})_{(shutter\ retracted)}$, weighted sound reduction index of the closed window with which the shutter

shall be fitted:

— $R_w (C; C_{tr})_{(shutter\ extended)}$, weighted sound reduction index of the component window / combined shutter, at the specified distance d , window in the closed position and the shutter in the fully extended and closed position.

—The type of mounting,

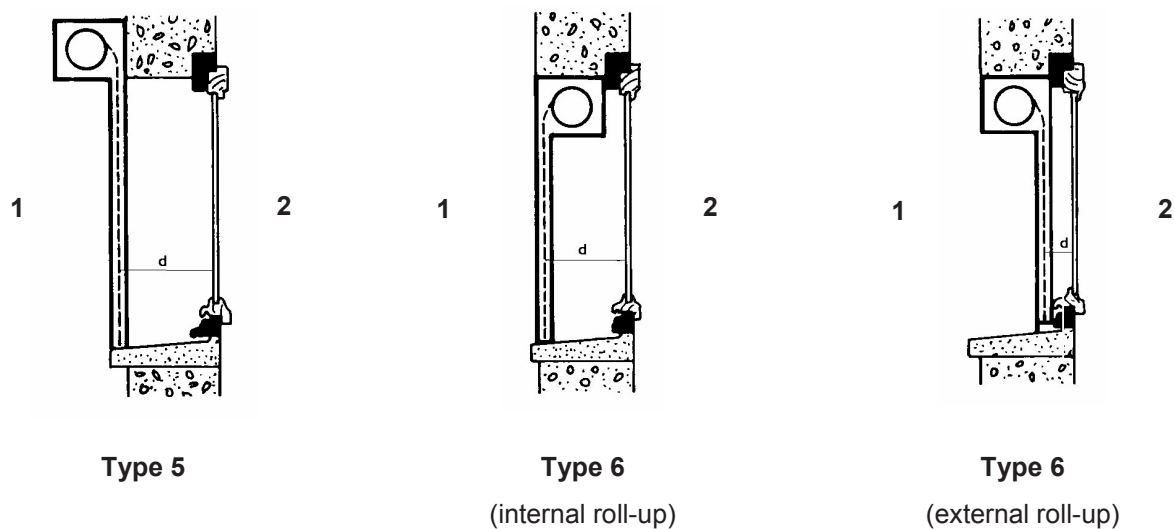
The type of mounting, Type 3 or Type 4 for a built-in shutter, Type 5 or Type 6 for a built-on shutter, shall be specified.



Key

1	Exterior side
2	Interior side

Figure 2 — Built-in shutter

**Key**

- 1 Exterior side
2 Interior side

Figure 3 — Built-on shutter**5 Expression of performance**

The values of $R_w(C;C_{tr})_{(\text{shutter retracted})}$ and $R_w(C;C_{tr})_{(\text{shutter extended})}$, shall be given together with:

- The type of shutter (built-in shutter with window, built-in shutter, built-on shutter);
- The type of mounting (Type 1, 2, 3, 4, 5, or 6);
- The distance d .
- The dimensions of the window for which the test has been performed

Bibliography

- [1] EN 13659, *Shutters — Performance requirements including safety*.
- [2] EN ISO 140-3, *Acoustics — Measurement of sound insulation in buildings and building elements — Part 3: Laboratory measurements of airborne sound insulation of building elements (ISO 140-3:1995)*.

BSI — British Standards Institution

BSI is the independent national body responsible for preparing British Standards. It presents the UK view on standards in Europe and at the international level. It is incorporated by Royal Charter.

Revisions

British Standards are updated by amendment or revision. Users of British Standards should make sure that they possess the latest amendments or editions.

It is the constant aim of BSI to improve the quality of our products and services. We would be grateful if anyone finding an inaccuracy or ambiguity while using this British Standard would inform the Secretary of the technical committee responsible, the identity of which can be found on the inside front cover.
Tel: +44 (0)20 8996 9000. Fax: +44 (0)20 8996 7400.

BSI offers members an individual updating service called PLUS which ensures that subscribers automatically receive the latest editions of standards.

Buying standards

Orders for all BSI, international and foreign standards publications should be addressed to Customer Services. Tel: +44 (0)20 8996 9001.
Fax: +44 (0)20 8996 7001. Email: orders@bsi-global.com. Standards are also available from the BSI website at <http://www.bsi-global.com>.

In response to orders for international standards, it is BSI policy to supply the BSI implementation of those that have been published as British Standards, unless otherwise requested.

Information on standards

BSI provides a wide range of information on national, European and international standards through its Library and its Technical Help to Exporters Service. Various BSI electronic information services are also available which give details on all its products and services. Contact the Information Centre.
Tel: +44 (0)20 8996 7111. Fax: +44 (0)20 8996 7048. Email: info@bsi-global.com.

Subscribing members of BSI are kept up to date with standards developments and receive substantial discounts on the purchase price of standards. For details of these and other benefits contact Membership Administration.
Tel: +44 (0)20 8996 7002. Fax: +44 (0)20 8996 7001.
Email: membership@bsi-global.com.

Information regarding online access to British Standards via British Standards Online can be found at <http://www.bsi-global.com/bsonline>.

Further information about BSI is available on the BSI website at <http://www.bsi-global.com>.

Copyright

Copyright subsists in all BSI publications. BSI also holds the copyright, in the UK, of the publications of the international standardization bodies. Except as permitted under the Copyright, Designs and Patents Act 1988 no extract may be reproduced, stored in a retrieval system or transmitted in any form or by any means – electronic, photocopying, recording or otherwise – without prior written permission from BSI.

This does not preclude the free use, in the course of implementing the standard, of necessary details such as symbols, and size, type or grade designations. If these details are to be used for any other purpose than implementation then the prior written permission of BSI must be obtained.

Details and advice can be obtained from the Copyright & Licensing Manager.
Tel: +44 (0)20 8996 7070. Fax: +44 (0)20 8996 7553.
Email: copyright@bsi-global.com.