



BSI Standards Publication

Table tennis

Part 2: Posts for net assemblies —
Requirements and test methods

National foreword

This British Standard is the UK implementation of EN 14468-2:2015. It supersedes BS EN 14468-2:2005 which is withdrawn.

The UK participation in its preparation was entrusted to Technical Committee SW/136/25, Table tennis tables.

A list of organizations represented on this committee can be obtained on request to its secretary.

This publication does not purport to include all the necessary provisions of a contract. Users are responsible for its correct application.

© The British Standards Institution 2015.
Published by BSI Standards Limited 2015

ISBN 978 0 580 83104 1

ICS 97.220.30

Compliance with a British Standard cannot confer immunity from legal obligations.

This British Standard was published under the authority of the Standards Policy and Strategy Committee on 31 March 2015.

Amendments/corrigenda issued since publication

| Date | Text affected |
|------|---------------|
|------|---------------|

English Version

Table tennis - Part 2: Posts for net assemblies - Requirements and test methods

Tennis de table - Partie 2: Filets et leurs accessoires -
Exigences et méthodes d'essai

Tischtennis - Teil 2: Pfosten von Netzgarnituren -
Anforderungen und Prüfverfahren

This European Standard was approved by CEN on 26 December 2014.

CEN members are bound to comply with the CEN/CENELEC Internal Regulations which stipulate the conditions for giving this European Standard the status of a national standard without any alteration. Up-to-date lists and bibliographical references concerning such national standards may be obtained on application to the CEN-CENELEC Management Centre or to any CEN member.

This European Standard exists in three official versions (English, French, German). A version in any other language made by translation under the responsibility of a CEN member into its own language and notified to the CEN-CENELEC Management Centre has the same status as the official versions.

CEN members are the national standards bodies of Austria, Belgium, Bulgaria, Croatia, Cyprus, Czech Republic, Denmark, Estonia, Finland, Former Yugoslav Republic of Macedonia, France, Germany, Greece, Hungary, Iceland, Ireland, Italy, Latvia, Lithuania, Luxembourg, Malta, Netherlands, Norway, Poland, Portugal, Romania, Slovakia, Slovenia, Spain, Sweden, Switzerland, Turkey and United Kingdom.



EUROPEAN COMMITTEE FOR STANDARDIZATION
COMITÉ EUROPÉEN DE NORMALISATION
EUROPÄISCHES KOMITEE FÜR NORMUNG

CEN-CENELEC Management Centre: Avenue Marnix 17, B-1000 Brussels

| Contents | | Page |
|-----------------|------------------------------|------|
| Foreword..... | | 3 |
| 1 | Scope | 4 |
| 2 | Normative references | 4 |
| 3 | Terms and definitions | 4 |
| 4 | Classification..... | 5 |
| 5 | Functional requirements..... | 5 |
| 5.1 | Dimensions..... | 5 |
| 5.2 | Net supporting posts..... | 8 |
| 5.3 | Devices for attaching | 9 |
| 6 | Safety requirements | 10 |
| 7 | Test methods..... | 10 |

Foreword

This document (EN 14468-2:2015) has been prepared by Technical Committee CEN/TC 136 "Sports, playground and other recreational facilities and equipment", the secretariat of which is held by DIN.

This European Standard shall be given the status of a national standard, either by publication of an identical text or by endorsement, at the latest by September 2015, and conflicting national standards shall be withdrawn at the latest by September 2015.

Attention is drawn to the possibility that some of the elements of this document may be the subject of patent rights. CEN [and/or CENELEC] shall not be held responsible for identifying any or all such patent rights.

This document supersedes EN 14468-2:2005.

EN 14468 *Table tennis* consists of the following parts:

- *Part 1: Table tennis tables, functional and safety requirements, test methods*
- *Part 2: Posts for net assemblies, Requirements and test methods*

In relation to EN 14468-2:2005, the following changes have been made:

- a) additional functional requirements were added for 5.2 "net supporting posts";
- b) Clause 6 "Safety requirements" was specified more precisely.

According to the CEN/CENELEC Internal Regulations, the national standards organizations of the following countries are bound to implement this European Standard: Austria, Belgium, Bulgaria, Croatia, Cyprus, Czech Republic, Denmark, Estonia, Finland, Former Yugoslav Republic of Macedonia, France, Germany, Greece, Hungary, Iceland, Ireland, Italy, Latvia, Lithuania, Luxembourg, Malta, Netherlands, Norway, Poland, Portugal, Romania, Slovakia, Slovenia, Spain, Sweden, Switzerland, Turkey and the United Kingdom.

1 Scope

This European Standard specifies requirements for net assemblies permanently or temporarily attached to a table tennis table in accordance with EN 14468-1.

2 Normative references

The following documents, in whole or in part, are normatively referenced in this document and are indispensable for its application. For dated references, only the edition cited applies. For undated references, the latest edition of the referenced document (including any amendments) applies.

EN 14468-1:2015, *Table tennis — Part 1: Table tennis tables, functional and safety requirements, test methods*

3 Terms and definitions

For the purposes of this document, the terms and definitions given in EN 14468-1:2015 and the following apply.

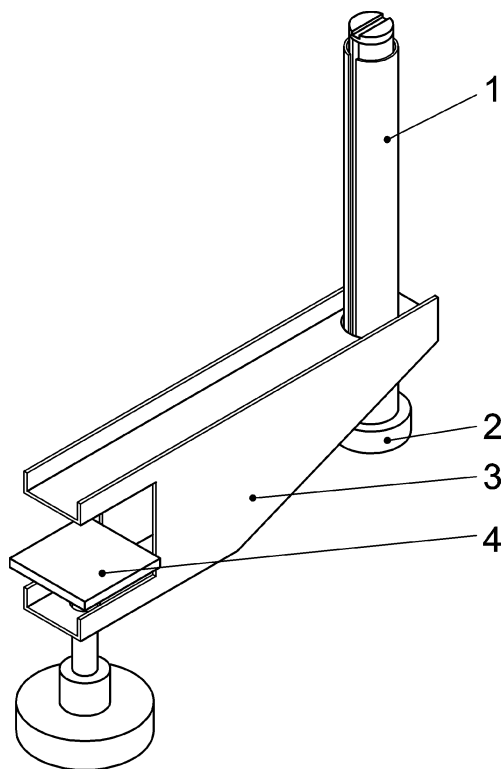
3.1

net supporting post

device consisting of a vertical post, a horizontal part and an attaching system

Note 1 to entry: An example of a net post is shown in Figure 1.

Note 2 to entry: In this document the net supporting post may be called net post.



Key

- 1 upright post
- 2 height adjustment
- 3 horizontal part
- 4 attaching system (clamp)

Figure 1 — Example of a net post

4 Classification

Net assemblies are classified by the intended end-use (classes) as shown in Table 1.

Table 1 — Classes

| Class | Intended end-use |
|-------|------------------------|
| A | High competition |
| B | School and club sports |
| C, D | Recreational sports |

5 Functional requirements

5.1 Dimensions

Net posts shall comply with the dimensions shown in Figures 2 to 4 and Table 2.

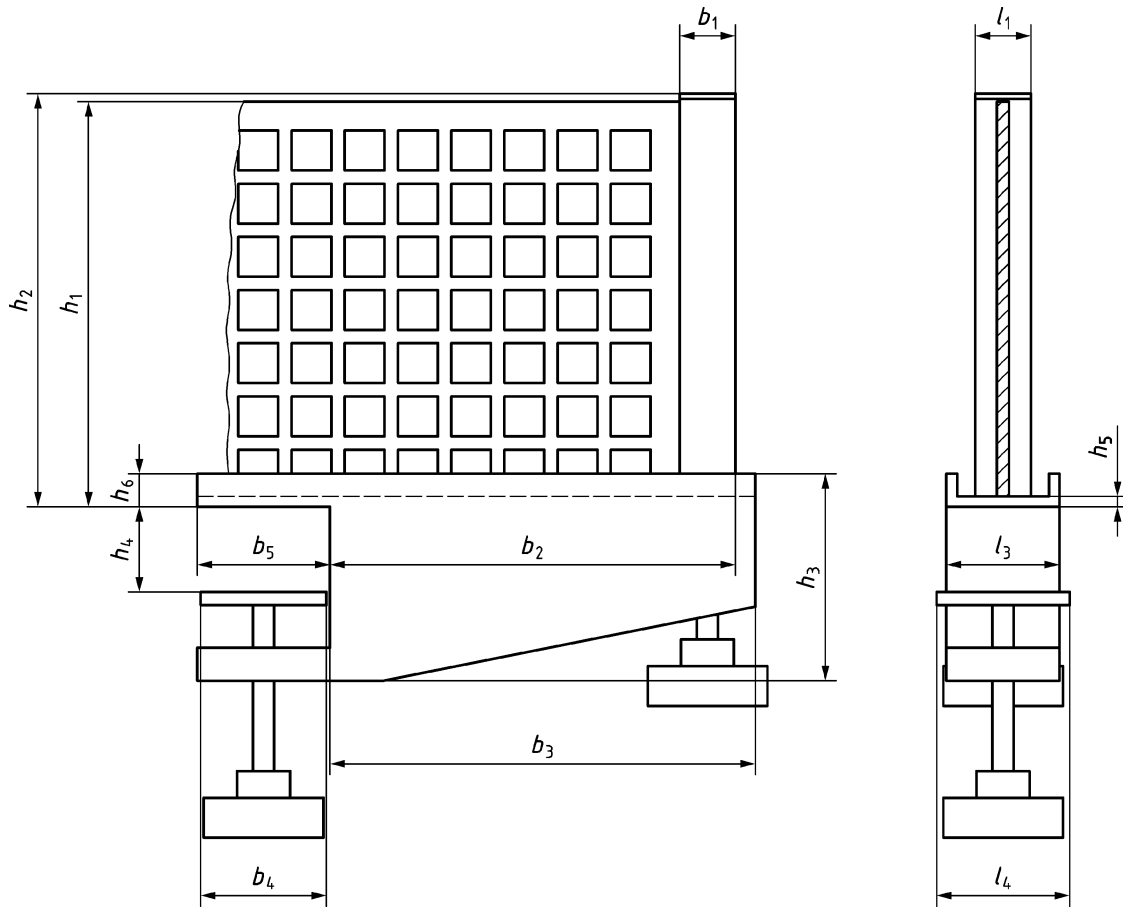


Figure 2 — Dimensions of net supporting and attaching systems

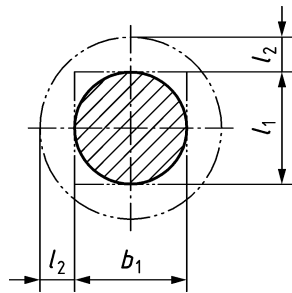


Figure 3 — Cross-section of upright post and limits for the protection of adjusting device

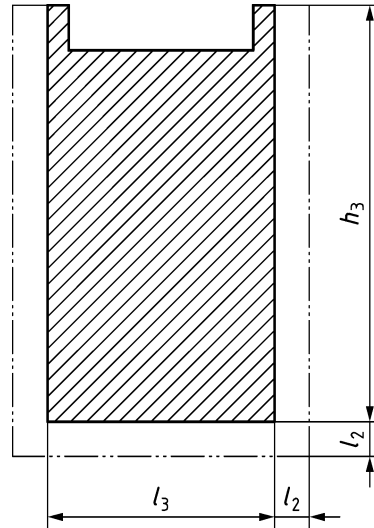


Figure 4 — Cross-section of horizontal part of the netpost and limits for the protection of adjusting devices

Table 2 — Dimensions of net supporting and attaching systems of classes A to D

Dimensions in millimetres

| | | Net post | | | | Devices attaching the net assembly to the table | | | | |
|--|--|--|---|--|--|---|--|--------------------------|--|--|
| Class | Final net height ^a to be adjusted at h_1 | Height ^a of the vertical post h_2 | Square circumscribing the cross-section of the post l_1/b_1 | Outside distance of the post from the tabletop side b_2 | Projection of any adjusting device l_2 | Parts under the table depth/width b_4 l_4 | Parts along the tabletop side wider than the horizontal part | | | Other parts included in the undercarriage or in the horizontal part of the net support |
| | | | | | | | distance of the device (inside, outside) to the tabletop side (when the possibility for cutting or squeeze section exists) inside/ outside | length for each tabletop | top of device below tabletop elevation | |
| A | 152,5 | ≤ 155,5 | ≤ 22 | 152,5 ± 2 | ≤ 7 | ≤ 100 / ≤ 50 | ≥ 15 / ≤ 30 | ≤ 100 | ≥ 12 | |
| B | 152,5 | ≤ 157,5 | ≤ 25 | 152,5 ± 4 | ≤ 7 | ≤ 100 / ≤ 50 | ≥ 15 / ≤ 30 | ≤ 300 | ≥ 12 | |
| C, D | 152,5 ± 5 | ≤ 162,5 | — | — | — | — / — | ≥ 15 / — | ≤ 300 | — | |
| Horizontal part of the net support | | | | | | | | | | |
| Class | Width l_3 | Length of the portion projecting outside the tabletop b_3 | Full height of the portion projecting outside the tabletop h_3 | Full height of the opening of the clamp h_4 | Thickness ^a under the mesh h_5 | Thickness ^a along the mesh h_6 | Extension of the portion projecting over the tabletop surface b_5 | | | |
| A | ≤ 45 | ≤ 160 | ≤ 80 | ≥ 30 | ≤ 5 | ≤ 15 | ≤ 100 | | | |
| B | ≤ 60 | ≤ 160 | ≤ 80 | ≥ 30 | ≤ 10 | ≤ 20 | ≤ 100 | | | |
| C, D | — | — | — | — | — | — | — | | | |
| ^a Height and thickness to be considered as “above the elevation of the tabletop surface”. | | | | | | | | | | |

5.2 Net supporting posts

The net supports can be permanently or removable attached to the table.

They are removable attached if they are removed when the table is closed to the storage position.

They are permanently attached if they do not need or cannot be removed when the table is closed to the storage position.

For class A net assemblies, the following considerations shall be relevant:

The cross-section of the upright post shall be capable of being circumscribed by a 22 mm square.

Any device for adjusting the height of the net or the tension in a suspending cord shall not project more than 7 mm either

- from the upright post; or
- from the sides or the bottom of the horizontal part of the net supporting post.

It is recommended that the height adjustment parts remain in their intended working position and do not fall out.

No increase of the length of the horizontal part is acceptable.

The structure of the net post shall guarantee that the net can be suspended exactly at a height of $h_1 = 152,5$ mm above the playing surface. The outside limits of the post are 152,5 mm away from the tabletop.

It shall be possible to adjust the net height by a minimum of $\pm 4,5$ mm to h_1 for classes A and B.

The outside limit of the horizontal part of the net support shall not be more than 160 mm away from the tabletop. The full height of the outside portion of the horizontal part of the net support shall not be more than 80 mm.

The horizontal part of the net support shall not project more than 100 mm across the table surface along its net edge, and not less than 55 mm for non-permanent nets of class A and B.

On its full length, the horizontal part of the net support may not be more than 45 mm wide and 15 mm above the elevation of the tabletop surface. In order to allow the mesh of the net getting close to the table surface, there may be a channel in the horizontal part, at least 4 mm wide, and whose bottom shall be not more than 5 mm above the table surface.

Permanently attached net posts can be attached to the frame of the tabletop or to the undercarriage or to both.

5.3 Devices for attaching

Removable net supports can be attached to the playing board by a screw clamp, by a spring clamp or by other suitable means. In any case, the attaching systems shall:

- a) be easy to attach;
- b) be firmly attached and resist tension in the net-cord;
- c) not cause damage to the tabletop;
- d) for class A, not project more than 100 mm under the table;
- e) not be more than 50 mm wide under the table.

Any parts of the attaching devices of the net support that are wider than the horizontal part of the net support shall observe the following conditions:

- f) at least 12 mm under the tabletop surface;
- g) length less than 100 mm (class A) or 300 mm (classes B to D) at each tabletop;
- h) be at least 15 mm away from the table side because of shearing.

Any other parts of the attaching devices of the net post that are narrower than its horizontal part shall observe both the restrictive dimensions for the undercarriage (see EN 14468-1:2015) and for the horizontal part of the net post.

6 Safety requirements

If a net post is permanently attached to the table or removable no part of it shall be liable hurt the player or damage the tabletop. If a net post is operated by a spring clamp a safety clearance of at least 12 mm (h_4) shall exist when the clamp is removed from the table.

Any change in height, thickness or width of any of the parts of the net posts shall neither be abrupt nor generate sharp or pointed edges or corners.

7 Test methods

The requirements of Clauses 5 and 6 shall be appropriately verified, e. g. by measurement, visual inspection, tactile or functional testing.

British Standards Institution (BSI)

BSI is the national body responsible for preparing British Standards and other standards-related publications, information and services.

BSI is incorporated by Royal Charter. British Standards and other standardization products are published by BSI Standards Limited.

About us

We bring together business, industry, government, consumers, innovators and others to shape their combined experience and expertise into standards-based solutions.

The knowledge embodied in our standards has been carefully assembled in a dependable format and refined through our open consultation process. Organizations of all sizes and across all sectors choose standards to help them achieve their goals.

Information on standards

We can provide you with the knowledge that your organization needs to succeed. Find out more about British Standards by visiting our website at bsigroup.com/standards or contacting our Customer Services team or Knowledge Centre.

Buying standards

You can buy and download PDF versions of BSI publications, including British and adopted European and international standards, through our website at bsigroup.com/shop, where hard copies can also be purchased.

If you need international and foreign standards from other Standards Development Organizations, hard copies can be ordered from our Customer Services team.

Subscriptions

Our range of subscription services are designed to make using standards easier for you. For further information on our subscription products go to bsigroup.com/subscriptions.

With **British Standards Online (BSOL)** you'll have instant access to over 55,000 British and adopted European and international standards from your desktop. It's available 24/7 and is refreshed daily so you'll always be up to date.

You can keep in touch with standards developments and receive substantial discounts on the purchase price of standards, both in single copy and subscription format, by becoming a **BSI Subscribing Member**.

PLUS is an updating service exclusive to BSI Subscribing Members. You will automatically receive the latest hard copy of your standards when they're revised or replaced.

To find out more about becoming a BSI Subscribing Member and the benefits of membership, please visit bsigroup.com/shop.

With a **Multi-User Network Licence (MUNL)** you are able to host standards publications on your intranet. Licences can cover as few or as many users as you wish. With updates supplied as soon as they're available, you can be sure your documentation is current. For further information, email bsmusales@bsigroup.com.

BSI Group Headquarters

389 Chiswick High Road London W4 4AL UK

Revisions

Our British Standards and other publications are updated by amendment or revision.

We continually improve the quality of our products and services to benefit your business. If you find an inaccuracy or ambiguity within a British Standard or other BSI publication please inform the Knowledge Centre.

Copyright

All the data, software and documentation set out in all British Standards and other BSI publications are the property of and copyrighted by BSI, or some person or entity that owns copyright in the information used (such as the international standardization bodies) and has formally licensed such information to BSI for commercial publication and use. Except as permitted under the Copyright, Designs and Patents Act 1988 no extract may be reproduced, stored in a retrieval system or transmitted in any form or by any means – electronic, photocopying, recording or otherwise – without prior written permission from BSI. Details and advice can be obtained from the Copyright & Licensing Department.

Useful Contacts:

Customer Services

Tel: +44 845 086 9001

Email (orders): orders@bsigroup.com

Email (enquiries): cservices@bsigroup.com

Subscriptions

Tel: +44 845 086 9001

Email: subscriptions@bsigroup.com

Knowledge Centre

Tel: +44 20 8996 7004

Email: knowledgecentre@bsigroup.com

Copyright & Licensing

Tel: +44 20 8996 7070

Email: copyright@bsigroup.com



...making excellence a habit.™