

BS EN 14425-3:2010



BSI Standards Publication

Advanced technical ceramics — Test methods for determination of fracture toughness of monolithic ceramics

Part 3: Chevron notched beam (CNB)
method

NO COPYING WITHOUT BSI PERMISSION EXCEPT AS PERMITTED BY COPYRIGHT LAW

raising standards worldwide[™]

Provided by IHS
No reproduction or networking permitted without license from IHS

Not for Resale



National foreword

This British Standard is the UK implementation of EN 14425-3:2010. It supersedes DD CEN/TS 14425-3:2003 which is withdrawn.

The UK participation in its preparation was entrusted to Technical Committee RPI/13, Advanced technical ceramics.

A list of organizations represented on this committee can be obtained on request to its secretary.

This publication does not purport to include all the necessary provisions of a contract. Users are responsible for its correct application.

© BSI 2010

ISBN 978 0 580 68820 1

ICS 81.060.30

Compliance with a British Standard cannot confer immunity from legal obligations.

This British Standard was published under the authority of the Standards Policy and Strategy Committee on 31 July 2010

Amendments issued since publication

Date	Text affected
------	---------------

EUROPEAN STANDARD

EN 14425-3

NORME EUROPÉENNE

EUROPÄISCHE NORM

June 2010

ICS 81.060.30

Supersedes CEN/TS 14425-3:2003

English Version

Advanced technical ceramics - Test methods for determination of fracture toughness of monolithic ceramics - Part 3: Chevron notched beam (CNB) method

Céramiques techniques avancées - Méthode d'essai de détermination de la ténacité à la rupture des céramiques monolithiques - Partie 3: Méthode de l'éprouvette à entaille en chevron

Hochleistungskeramik - Prüfverfahren zur Bestimmung der Bruchzähigkeit von monolithischer Keramik - Teil 3: Verfahren für Biegeproben mit Chevron-Kerb (CNB-Verfahren)

This European Standard was approved by CEN on 30 April 2010.

CEN members are bound to comply with the CEN/CENELEC Internal Regulations which stipulate the conditions for giving this European Standard the status of a national standard without any alteration. Up-to-date lists and bibliographical references concerning such national standards may be obtained on application to the CEN Management Centre or to any CEN member.

This European Standard exists in three official versions (English, French, German). A version in any other language made by translation under the responsibility of a CEN member into its own language and notified to the CEN Management Centre has the same status as the official versions.

CEN members are the national standards bodies of Austria, Belgium, Bulgaria, Croatia, Cyprus, Czech Republic, Denmark, Estonia, Finland, France, Germany, Greece, Hungary, Iceland, Ireland, Italy, Latvia, Lithuania, Luxembourg, Malta, Netherlands, Norway, Poland, Portugal, Romania, Slovakia, Slovenia, Spain, Sweden, Switzerland and United Kingdom.



EUROPEAN COMMITTEE FOR STANDARDIZATION
COMITÉ EUROPÉEN DE NORMALISATION
EUROPÄISCHES KOMITEE FÜR NORMUNG

Management Centre: Avenue Marnix 17, B-1000 Brussels

Contents

Page

Foreword.....	3
1 Scope	4
2 Normative references	4
3 Terms and definitions	4
4 Principle, significance and use	4
5 Test apparatus	5
6 Test pieces	5
6.1 Material selection.....	5
6.2 Test piece dimensions	5
6.3 Sawn notch.....	6
7 Procedure	6
8 Calculation of results	7
9 Interferences and errors	8
10 Reporting	8
Bibliography	14

Foreword

This document (EN 14425-3:2010) has been prepared by Technical Committee CEN/TC 184 "Advanced technical ceramics", the secretariat of which is held by BSI.

This European Standard shall be given the status of a national standard, either by publication of an identical text or by endorsement, at the latest by December 2010, and conflicting national standards shall be withdrawn at the latest by December 2010.

Attention is drawn to the possibility that some of the elements of this document may be the subject of patent rights. CEN [and/or CENELEC] shall not be held responsible for identifying any or all such patent rights.

This document supersedes CEN/TS 14425-3:2003.

According to the CEN/CENELEC Internal Regulations, the national standards organizations of the following countries are bound to implement this European Standard: Austria, Belgium, Bulgaria, Croatia, Cyprus, Czech Republic, Denmark, Estonia, Finland, France, Germany, Greece, Hungary, Iceland, Ireland, Italy, Latvia, Lithuania, Luxembourg, Malta, Netherlands, Norway, Poland, Portugal, Romania, Slovakia, Slovenia, Spain, Sweden, Switzerland and the United Kingdom.

1 Scope

This European Standard provides a test method for fracture toughness determination based on the chevron-notch method. For the purposes of this European Standard, the term monolithic includes particle and whisker reinforced advanced technical ceramics which can be regarded as macroscopically homogeneous. It does not include long-fibre reinforced ceramics.

2 Normative references

The following referenced documents are indispensable for the application of this document. For dated references, only the edition cited applies. For undated references, the latest edition of the referenced document (including any amendments) applies.

EN 843-1:2006, *Advanced technical ceramics — Mechanical properties of monolithic ceramics at room temperature — Part 1: Determination of flexural strength*

EN 1006, *Advanced technical ceramics — Monolithic ceramics — Guidance on the selection of test pieces for the evaluation of properties*

EN ISO 7500-1, *Metallic materials — Verification of static uniaxial testing machines — Part 1: Tension/compression testing machines — Verification and calibration of the force-measuring system (ISO 7500-1:2004)*

EN ISO/IEC 17025, *General requirements for the competence of testing and calibration laboratories (ISO/IEC 17025:2005)*

ISO 3611, *Micrometer callipers for external measurement*

3 Terms and definitions

For the purposes of this document, the following terms and definitions apply.

3.1

chevron-notch test piece

test piece in which a two coplanar saw cuts are made at an angle to each other part way through a test piece to leave a remaining cross-section with a sharp tip from which a crack may be initiated in a controlled or semi-controlled manner

4 Principle, significance and use

In the chevron-notched beam method, a crack is generated during the test from a sharp tip resulting when two coplanar notches are cut in a test piece (see Figure 1). This overcomes the need to generate sharp planar cracks before commencing the test.

During the test, the crack front widens as the crack propagates from the tip, resulting in an increase in the force required to maintain growth. Countering this, the test piece becomes more compliant as the crack lengthens, and so the two effects result in a peak load being attained after some distance of propagation. The toughness is determined from the peak force applied.

This test method employs the chevron notch in a flexural strength test piece, loaded in four-point bending geometry. The advantage is that it can be performed on standard flexural strength test pieces.

The test is most appropriate for homogeneous isotropic materials, but can be used with care on anisotropic materials subject to the geometry of fracture remaining valid. In materials which are inhomogeneous on the scale of the crack dimensions, a wide scatter of results and the development of invalid non-planar cracks may occur. In addition, the test is valid primarily for materials which do not show rising crack resistance with increasing crack length. Since the crack width progressively increases as propagation occurs, the concurrent presence of rising crack resistance means that the crack front would no longer stay straight but would become convex, producing an uncertainty in the calculated results.

It should be noted that this test employs a slowly moving crack. The numerical value for the fracture toughness calculated from this method may not be the same as those from fast crack propagation tests, especially if the susceptibility to subcritical crack growth is significant.

5 Test apparatus

5.1 Flexural strength test apparatus of four-point bending type, in accordance with the requirements in EN 843-1.

5.2 Mechanical testing machine, capable of accurate recording of load/displacement data for loads in the range 0 N to 500 N. The load shall be calibrated in accordance with EN ISO 7500-1.

NOTE A stiff loading system (i.e. frame, load cell and fixtures, etc.) is advantageous for this test. The compliance is ideally less than 5×10^{-5} m/N (see [1]).

5.3 Micrometer in accordance with ISO 3611 but measuring to an accuracy of 0,002 mm.

5.4 Calibrated device for measuring dimensions of the cut chevron after fracture, reading to an accuracy of 0,002 mm or better.

NOTE This may be achieved by use of an appropriate travelling microscope, or a conventional microscope with a calibrated stage micrometer, or a microscope with a micrometer eyepiece.

5.5 Humidity measuring device for measuring relative humidity to an accuracy of ± 2 %, e.g. those according to ISO 4677.

6 Test pieces

6.1 Material selection

Select the material or components from which test pieces are to be machined with reference to the considerations given in EN 1006.

6.2 Test piece dimensions

6.2.1 The test pieces shall preferably be of dimensions as for determination of flexural strength and described in EN 843-1. Alternatively, if availability of material permits, the dimensions may be scaled larger for convenience of machining of the notch.

NOTE It is usually advantageous to test coarse-grained or heterogeneous materials in larger test piece sizes because it improves the chances of obtaining a valid test (see 7.9).

6.2.2 The standard size test pieces shall be $(3,00 \pm 0,15)$ mm \times $(4,00 \pm 0,15)$ mm in cross-section, and have a minimum length of 45 mm. The surfaces shall be machined to a flatness of better than 0,01 mm over the test piece length, and opposite pairs of faces shall be parallel to better than 0,01 mm over the test piece length. The section should be visibly rectangular.

NOTE Chamfering in accordance with EN 843-1 is unnecessary for this test.

6.2.3 The test piece surfaces shall be ground to a good quality finish using final grinding with a peripheral wheel of grit size between 320 and 500 mesh grit, using a depth of cut of no more than 0,002 mm for the last 0,04 mm of material removed from each surface. No edge treatment is necessary.

NOTE Although a large notch is placed in the test piece, the quality of grinding remains important for dimensional accuracy for registration in cutting the notch and for minimizing residual stresses.

6.3 Sawn notch

6.3.1 The notch is produced by two saw cuts at an appropriate angle to each other as shown in Figure 1. The notch width shall be less than 0,20 mm at the surface, and the notch root radius should be less than 0,1 mm. The grit size of the saw or grinding wheel employed shall be 320 mesh or smaller. For standard test pieces, the test piece shall be orientated such that the notch tip is opposite the 3 mm width face. The notch geometry may be selected to suit requirements. However, it is recommended that:

- a) the angles of the two sides of the notch to the test piece faces are equal to within 1° , and the notch tip is central within the test piece to within $0,05 B$ where B is the test piece width;
- b) the position of the notch tip, a_0 , below the test piece surface is about 20 % of the depth of the test piece, W ;
- c) the positions of run-out of the notch through the test piece sides, a_{11} , a_{12} are closely similar, and are in the range 90 % to 100 % of the test piece depth, W .

NOTE 1 The use of a surface grinder or precision slicing saw permits straight-tipped cuts to be made. The use of a non-traversing saw, or a wire saw, is not recommended because the line of the notch tip produced is not straight. This can introduce a considerable error in the use of the calibration equations.

NOTE 2 The reproducibility and quality of machining of the notch can influence the reproducibility of the test result. In general, narrower and more precise cutting encourages more reproducible initial stable crack growth and reduces the scatter in results.

6.3.2 A simple method of obtaining the required precision of cutting is to prepare a V-block with an end stop against which the test piece can be registered. The test piece is clamped on one side to permit the first cut, and is then rotated and clamped on the other side to allow the second cut of equal depth to be coplanar with the first. The angle of the V-block is the same as that required for the notch angle.

6.3.3 A minimum of five test pieces shall be prepared.

7 Procedure

7.1 Measure the external dimensions of the test piece at the notch to the nearest 0,002 mm using the micrometer (5.3).

7.2 Measure the notch lengths a_{11} and a_{12} (to the points where the roots of the notch meet the external surfaces) to the nearest 0,002 mm using the calibrated device (5.4). The difference between the average value a_1 and the individual values shall not be greater than $0,05 W$, where W is the test piece thickness.

7.3 Adjust the sensitivity of the load recording device to permit an accuracy of subsequent measurement to better than 1 % of recorded values. Adjust the recording and plotting parameters of the recording device to permit clear identification of the load/time or load/displacement behaviour (see Figure 2).

7.4 Insert the test piece in the strength test apparatus with the tip of the chevron notch facing the outer support rollers, and align it carefully to ensure that the support and loading spans are centralised to within $\pm 0,2$ mm in accordance with EN 843-1:2006.

7.5 Select for the test machine displacement rate a value which achieves fracture in typically 2 min to 5 min.

NOTE Typically this requires a machine displacement rate of about 0,05 mm/min or slower. If the fracture force range is known, it is possible to use a faster rate up to about 75 % of the fracture force, before switching to the slower rate.

7.6 Measure and record the relative humidity and temperature of the atmosphere in the proximity of the test.

7.7 Load the test piece in the flexural test apparatus and record the load/displacement curve produced as the test piece fractures.

7.8 Inspect the trace (see Figure 2). If the fracture exhibited stable characteristics with the load rising to a smooth maximum and then falling (Figure 2a)), or if the crack popped-in prior to the load passing through a smooth maximum (Figure 2b)), the test can be deemed to be valid. Determine the maximum test force, P_{\max} . If the load reached a sharp maximum from which it fell suddenly towards zero without a second smooth maximum (Figure 2c)), fracture was initiated unstably and the test is invalid.

NOTE 1 If the test piece shows a loss of stiffness before fracture this is an indication of subcritical crack growth from the notch, even if a clear smooth maximum is not obtained. Such examples are currently considered to be marginally valid, and should be reported in the report.

NOTE 2 In order to induce stable propagation in such circumstances, one technique that has been found helpful is to fatigue the notch tip in compression. Invert the test piece in the flexural test apparatus, and load it several times to two or three times the estimated failure load for the normal position. Revert the test piece to its normal testing position and perform the test in the usual way. If invalid behaviour persists, an alternative method should be sought.

7.9 Inspect the chevron exposed by fracture on the test piece. Using the calibrated device (5.4) measure the position of the notch tip relative to the centre-line of the test piece. The deviation of the notch tip from the centre-line should not exceed $0,05 B$, where B is the test piece width. The centre-lines of the two grooves forming the notch tip should coincide within $0,2 t$ where t is the notch width. Measure the distance of the notch tip from the free surface, a_0 .

7.10 Examine the fracture surface to determine how well the fracture followed the plane of the notch (see Figure 3). If the deviation of the fracture surface from the plane defined by the centres of the two parts of the notch exceeds $0,04 B$ at the point where the crack front had a width of $0,33 B$, then the test is deemed invalid.

NOTE Such a deviation is commonly caused by strong anisotropy (toughness in the indented plane greater than in another orientation), inhomogeneity, or coarse grain size.

7.11 Repeat the procedure on further test pieces until at least five valid test results are obtained.

8 Calculation of results

For each test, calculate the fracture toughness $K_{I,\text{cnb}}$ from the following equation:

$$K_{I,\text{cnb}} = Y_{\min}^* \left[\frac{P_{\max} (S_o - S_i)}{BW^{3/2}} \right] \quad (1)$$

where

$$Y_{\min}^* = (3,08 + 5,00\alpha_0 + 8,33\alpha_0^2) \left(1 + 0,007 \left(\frac{S_i S_o}{W^2} \right)^{1/2} \right) \left(\frac{\alpha_1 - \alpha_0}{1 - \alpha_0} \right) \quad (2)$$

and where

$K_{I,\text{cnb}}$ is the fracture toughness determined by the CNB test, in $\text{MPa}\cdot\text{m}^{1/2}$;

$\alpha_0 = a_0/W$;

$$\alpha_1 = a_1/W;$$

a_0 is the chevron tip depth, in metres;

a_1 is the average chevron side length, in metres;

W is the test piece height in test direction, in metres;

B is the test piece width perpendicular to test direction, in metres;

S_i is the inner loading span of test apparatus, in metres;

S_o is the outer support span of test apparatus, in metres;

P_{\max} is the maximum load in chevron notch test, in newtons.

Calculate the average $K_{I, \text{cnb}}$ value and the standard deviation from at least five valid tests.

9 Interferences and errors

The material microstructure and level of toughness can influence the ability to undertake the test in a reproducible manner. It is particularly important that the notches are cut with precision, and that a sharp tip is produced from which fracture can be readily initiated. Failure for the crack to propagate in a progressive manner from the tip renders the test invalid because the equations are incorrect; their derivation assumes controlled fracture.

The rate of force application and the test environment may significantly influence the rate of crack propagation, and consequently the apparent toughness in certain materials. In addition, because the crack has propagated a significant distance at the point at which the peak force is achieved, materials which display rising crack resistance with increasing crack length may display results which are test piece size dependent. The parameter $K_{I, \text{cnb}}$ may therefore not have the same value as other methods of determining toughness.

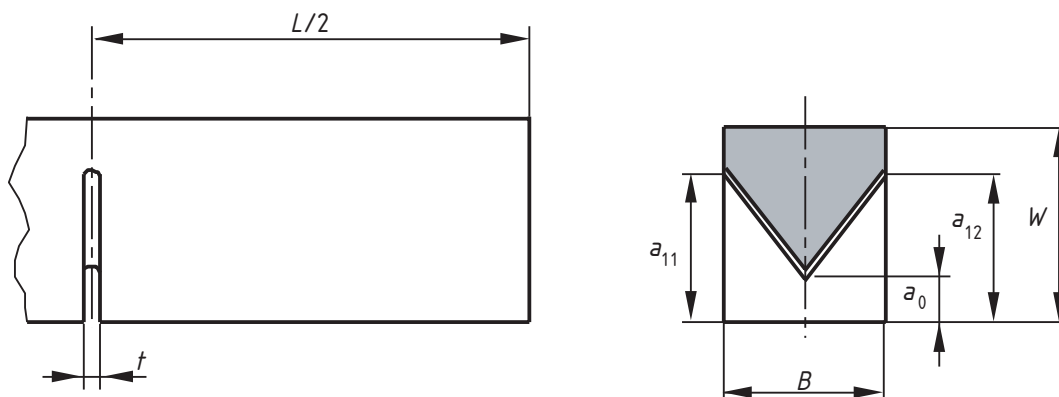
The equations employed in this standard have been derived from a so-called Bluhm slice model (see [2] to [4]), and are considered to be accurate to better than $\pm 5\%$ for a wide range of geometries. This includes typical measurement errors on standard sized test pieces. Improved equations have been proposed elsewhere for specific closely controlled geometries (see [1]).

10 Reporting

The report shall be prepared in accordance with the requirements of EN ISO/IEC 17025, and shall contain the following information:

- a) name and address of the testing establishment;
- b) date of the test, unique identification of report and of each page, customer name and address, and authorised signatory;
- c) reference to this standard, i.e. determined in accordance with EN 14425-3;
- d) description of the test apparatus geometry used, the mechanical testing machine and the means of recording the output data, and the means of calibrating the system;
- e) description of the test material (material type, manufacturing code, batch number, date of receipt);
- f) method of production of test pieces from supplied material, if appropriate;

- g) exact method of test piece surface and notch preparation, including details of the grinding machine, the grinding and finishing operations, grit sizes, directions of grinding and depths of cut, and any subsequent thermal treatment;
- h) if employed, details of any method to promote crack initiation from the notch tip;
- i) average ambient test temperature and average relative humidity during the tests;
- j) testing machine cross-head displacement rate employed, expressed as millimetres per minute;
- k) number of test pieces tested;
- l) dimensions of each test piece including the notch dimensions, expressed in millimetres, and a statement of the geometrical and crack growth validity of each test;
- m) individual fracture toughness values, $K_{I, cnb}$, for each test piece tested, expressed in $\text{MPa}\cdot\text{m}^{1/2}$ to three significant figures;
- n) unless otherwise agreed, the mean fracture toughness, $K_{I, cnb}$, and the standard deviation;
- o) comments about the test or the test results, details of any necessary deviations from this standard, and any observations of the nature of the fracture surface, and factors influencing the validity of the test results.



Key

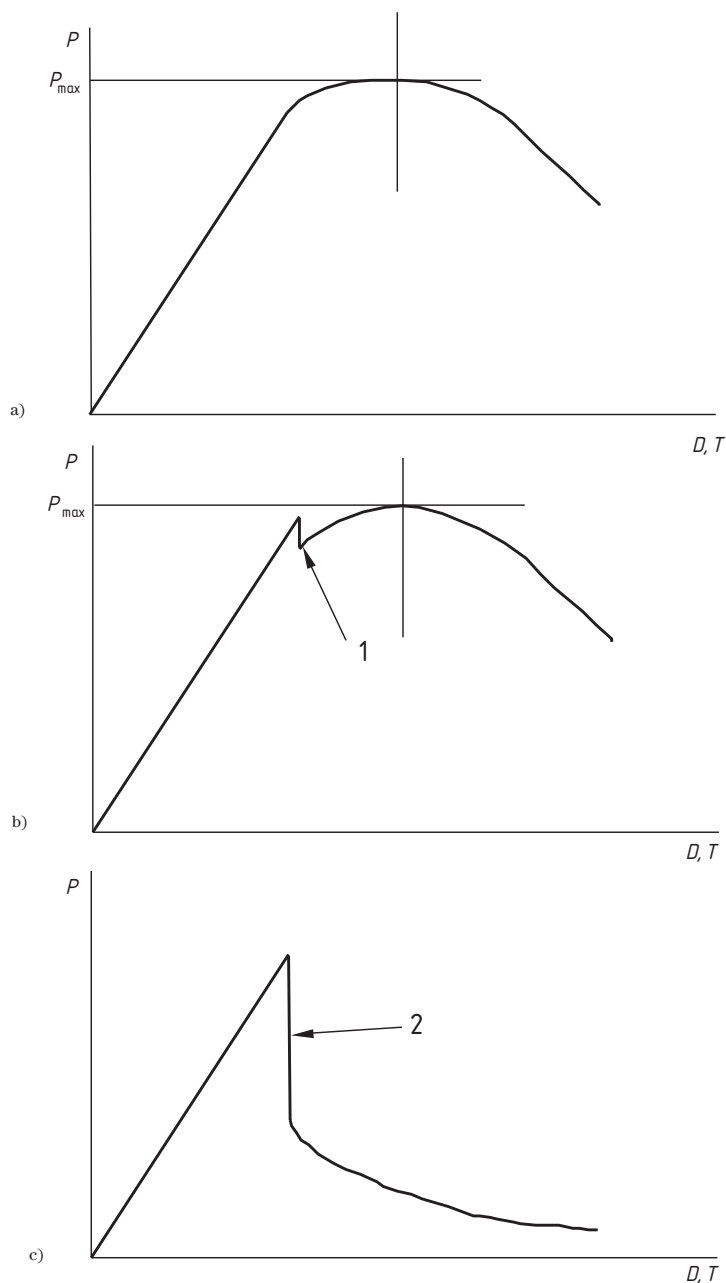
- L length of test piece
 B width of test piece perpendicular to test direction
 W height of test piece in test direction
 t width of notch
 a_0 chevron tip depth
 a_{11} and a_{12} notch lengths

Symbol	L	B	W	t	a_0	a_{11}, a_{12}
Preferred dimensions, mm	> 45	3	4	< 0,2	≈ 0,8	3,6 – 4,0

Other conditions:

- 1) the tip of the chevron shall be within $0,05 B$ of the centreline of the test piece;
- 2) the notch lengths a_{11}, a_{12} shall be equal to within $0,05 W$ and shall not be overcut (i.e. effectively $> W$);
- 3) the two cuts comprising the chevron shall be coplanar to within $0,2 t$.

Figure 1 — Chevron notch test piece geometry and standard notch dimensions (shaded area is residual material)



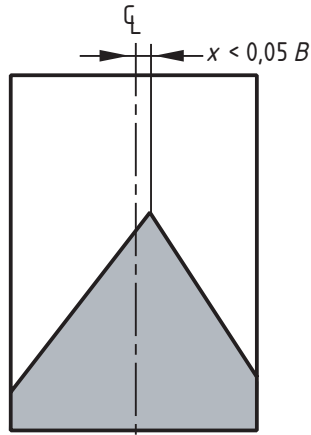
Key

P load
 D displacement
 T time

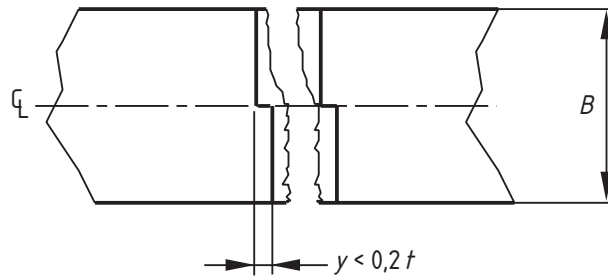
- a) With smooth crack initiation;
- b) with crack pop-in (1), followed by smooth growth;
- c) rapid fracture catastrophic failure.

Traces a) and b) are valid tests from which the smoothly achieved peak load P_{max} can be determined. Trace c) is invalid, with no controlled fracture (2).

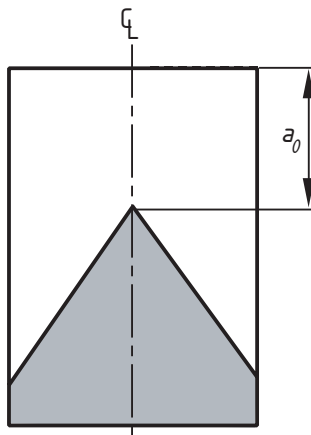
Figure 2 — Schematic diagrams of load/displacement (P/D) or load/time (P/T) curves for chevron notch tests



a) Centralization of tip of notch, x

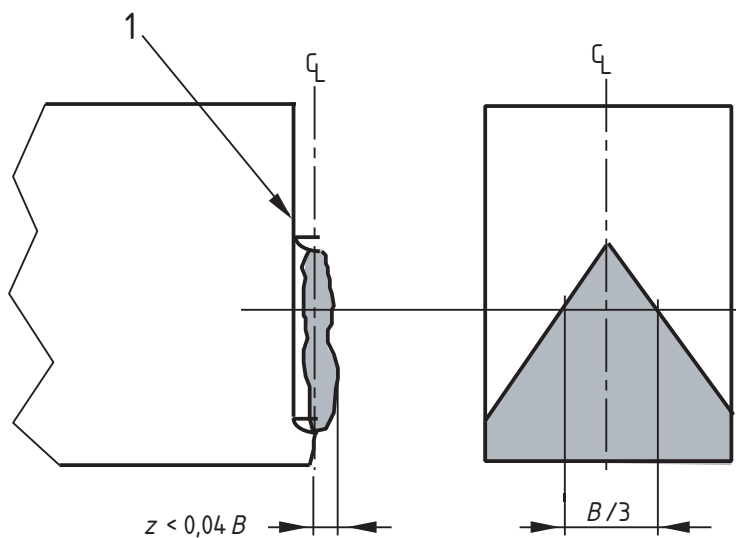


b) Coplanarity of the two sides of the notch, y



c) Measurement of distance a_0 , the notch tip depth

Figure 3 — Observations after fracture (continued overleaf)



d) Manner in which the crack followed the notch plane, which can be determined from the approximate fracture plane twist determined at a fracture width of $B/3$ as z , which should have a value less than $0,04 B$

Key

- 1 original notch
- C_L centre line
- B width of test piece perpendicular to test direction
- t width of notch

Figure 3 — Observations after fracture (continuation)

© 2010 British Standards Institution

Bibliography

- [1] ASTM C1421, *Standard test methods for determination of fracture toughness of advanced ceramics at ambient temperature*
- [2] Bluhm, J.I., "Stability considerations in the generalised three-dimensional work of fracture specimens", *Fracture*, 1977, **3**, 409-417 (Proc. ICF4, Waterloo, Canada, June 1977)
- [3] Bluhm, J.I., "Slice synthesis of a three-dimensional work of fracture specimen", *Eng. Fract. Mech.*, 1975, **7**, 593-604
- [4] Munz, D., Fett, T., in *Werkstoff-Forschung und – Technik 8, Mechanisches Verhalten Keramischer Werkstoffe*, Springer Verlag, Berlin, 1989, p. 33
- [5] ISO 4677, *Atmospheres for conditioning and testing — Determination of relative humidity*

11/11/2023 10:00 AM

This page deliberately left blank

British Standards Institution (BSI)

BSI is the independent national body responsible for preparing British Standards and other standards-related publications, information and services.

It presents the UK view on standards in Europe and at the international level.

It is incorporated by Royal Charter.

Revisions

British Standards are updated by amendment or revision. Users of British Standards should make sure that they possess the latest amendments or editions.

It is the constant aim of BSI to improve the quality of our products and services. We would be grateful if anyone finding an inaccuracy or ambiguity while using this British Standard would inform the Secretary of the technical committee responsible, the identity of which can be found on the inside front cover.

Tel: +44 (0)20 8996 9001 Fax: +44 (0)20 8996 7001

BSI offers Members an individual updating service called PLUS which ensures that subscribers automatically receive the latest editions of standards.

Tel: +44 (0)20 8996 7669 Fax: +44 (0)20 8996 7001

Email: plus@bsigroup.com

Buying standards

You may buy PDF and hard copy versions of standards directly using a credit card from the BSI Shop on the website www.bsigroup.com/shop. In addition all orders for BSI, international and foreign standards publications can be addressed to BSI Customer Services.

Tel: +44 (0)20 8996 9001 Fax: +44 (0)20 8996 7001

Email: orders@bsigroup.com

In response to orders for international standards, it is BSI policy to supply the BSI implementation of those that have been published as British Standards, unless otherwise requested.

Information on standards

BSI provides a wide range of information on national, European and international standards through its Knowledge Centre.

Tel: +44 (0)20 8996 7004 Fax: +44 (0)20 8996 7005

Email: knowledgecentre@bsigroup.com

Various BSI electronic information services are also available which give details on all its products and services.

Tel: +44 (0)20 8996 7111 Fax: +44 (0)20 8996 7048

Email: info@bsigroup.com

BSI Subscribing Members are kept up to date with standards developments and receive substantial discounts on the purchase price of standards. For details of these and other benefits contact Membership Administration.

Tel: +44 (0)20 8996 7002 Fax: +44 (0)20 8996 7001

Email: membership@bsigroup.com

Information regarding online access to British Standards via British Standards Online can be found at www.bsigroup.com/BSOL

Further information about BSI is available on the BSI website at www.bsigroup.com/standards

Copyright

Copyright subsists in all BSI publications. BSI also holds the copyright, in the UK, of the publications of the international standardization bodies. Except as permitted under the Copyright, Designs and Patents Act 1988 no extract may be reproduced, stored in a retrieval system or transmitted in any form or by any means – electronic, photocopying, recording or otherwise – without prior written permission from BSI. This does not preclude the free use, in the course of implementing the standard of necessary details such as symbols, and size, type or grade designations. If these details are to be used for any other purpose than implementation then the prior written permission of BSI must be obtained. Details and advice can be obtained from the Copyright & Licensing Manager.

Tel: +44 (0)20 8996 7070

Email: copyright@bsigroup.com

BSI Group Headquarters

389 Chiswick High Road London W4 4AL UK

Tel +44 (0)20 8996 9001

Fax +44 (0)20 8996 7001

www.bsigroup.com/standards

raising standards worldwide™