

# Pigments and extenders — Methods of dispersion and assessment of dispersibility in plastics —

## Part 5: Determination by filter pressure value test

The European Standard EN 13900-5:2005 has the status of a  
British Standard

ICS 83.040.30

## National foreword

This British Standard is the official English language version of EN 13900-5:2005.

The UK participation in its preparation was entrusted to Technical Committee STI/1, Pigments, which has the responsibility to:

- aid enquirers to understand the text;
- present to the responsible international/European committee any enquiries on the interpretation, or proposals for change, and keep the UK interests informed;
- monitor related international and European developments and promulgate them in the UK.

A list of organizations represented on this committee can be obtained on request to its secretary.

### Cross-references

The British Standards which implement international or European publications referred to in this document may be found in the *BSI Catalogue* under the section entitled “International Standards Correspondence Index”, or by using the “Search” facility of the *BSI Electronic Catalogue* or of British Standards Online.

This publication does not purport to include all the necessary provisions of a contract. Users are responsible for its correct application.

**Compliance with a British Standard does not of itself confer immunity from legal obligations.**

### Summary of pages

This document comprises a front cover, an inside front cover, the EN title page, pages 2 to 12, an inside back cover and a back cover.

The BSI copyright notice displayed in this document indicates when the document was last issued.

This British Standard was published under the authority of the Standards Policy and Strategy Committee on 16 June 2005

© BSI 16 June 2005

ISBN 0 580 45683 8

### Amendments issued since publication

| Amd. No. | Date | Comments |
|----------|------|----------|
|          |      |          |
|          |      |          |
|          |      |          |
|          |      |          |
|          |      |          |

ICS 83.040.30

English version

**Pigments and extenders - Methods of dispersion and  
assessment of dispersibility in plastics - Part 5: Determination by  
filter pressure value test**

Pigments et matières de charge - Méthodes de dispersion  
et évaluation de l'aptitude à la dispersion dans les  
plastiques - Partie 5 : détermination de la valeur de  
pression du filtre lors d'un essai

Pigmente und Füllstoffe - Dispergiervfahren und  
Beurteilung der Dispergierbarkeit in Kunststoffen - Teil 5:  
Bestimmung mit dem Druckfiltertest

This European Standard was approved by CEN on 21 March 2005.

CEN members are bound to comply with the CEN/CENELEC Internal Regulations which stipulate the conditions for giving this European Standard the status of a national standard without any alteration. Up-to-date lists and bibliographical references concerning such national standards may be obtained on application to the Central Secretariat or to any CEN member.

This European Standard exists in three official versions (English, French, German). A version in any other language made by translation under the responsibility of a CEN member into its own language and notified to the Central Secretariat has the same status as the official versions.

CEN members are the national standards bodies of Austria, Belgium, Cyprus, Czech Republic, Denmark, Estonia, Finland, France, Germany, Greece, Hungary, Iceland, Ireland, Italy, Latvia, Lithuania, Luxembourg, Malta, Netherlands, Norway, Poland, Portugal, Slovakia, Slovenia, Spain, Sweden, Switzerland and United Kingdom.



EUROPEAN COMMITTEE FOR STANDARDIZATION  
COMITÉ EUROPÉEN DE NORMALISATION  
EUROPÄISCHES KOMITEE FÜR NORMUNG

**Management Centre: rue de Stassart, 36 B-1050 Brussels**

## **Foreword**

This European Standard (EN 13900-5:2005) has been prepared by Technical Committee CEN/TC 298 "Pigments and extenders", the secretariat of which is held by DIN.

This European Standard shall be given the status of a national standard, either by publication of an identical text or by endorsement, at the latest by November 2005, and conflicting national standards shall be withdrawn at the latest by November 2005.

This document includes a Bibliography.

According to the CEN/CENELEC Internal Regulations, the national standards organizations of the following countries are bound to implement this European Standard: Austria, Belgium, Cyprus, Czech Republic, Denmark, Estonia, Finland, France, Germany, Greece, Hungary, Iceland, Ireland, Italy, Latvia, Lithuania, Luxembourg, Malta, Netherlands, Norway, Poland, Portugal, Slovakia, Slovenia, Spain, Sweden, Switzerland and United Kingdom.

## 1 Scope

This part of EN 13900 specifies a method of assessing the degree of dispersion of a colorant in a thermoplastic polymer.

The method is suitable for testing colorants in the form of colour concentrates in all polymers used for extrusion and melt-spinning processes.

The filter pressure value (FPV) determined according to this method is valid only for the equipment, conditions and test polymer being used. The use of test conditions differing from those specified might give different results. The method of preparing the colour concentrate is not specified in this European Standard. The results obtained for individual colorants are therefore comparable only when the same method of preparation for colour concentrates is used.

Annex A is normative and gives a model for the breaker plate.

Annex B is informative and provides a model test report containing a result of the round-robin-tests carried out in preparing this European Standard.

## 2 Normative references

The following referenced documents are indispensable for the application of this document. For dated references, only the edition cited applies. For undated references, the latest edition of the referenced document (including any amendments) applies.

EN 10088-1, *Stainless steels – Part 1: List of stainless steels*.

## 3 Terms and definitions

For the purposes of this European Standard, the following term and definition applies.

### 3.1

#### **filter pressure value**

#### **FPV**

pressure difference between the start pressure and the maximum pressure generated by extrusion in front of a screen pack related to the amount of colorant tested

## 4 Principle

The test mixture, consisting of a colour concentrate and a basic test polymer, is passed through an extruder fitted with melt pump and screen pack with breaker plate. In front of the screen pack is a melt pressure transducer. The pressure difference between the start pressure and the maximum pressure is used to calculate the filter pressure value [FPV].

## 5 Material

### 5.1 Colour concentrate

Homogeneous preparation of a colorant in an appropriate thermoplastic polymer.

### 5.2 Basic test polymer

Thermoplastic polymer, of a grade and type to be agreed between the interested parties.

NOTE The development work on this European Standard was carried out in polypropylene (PP).

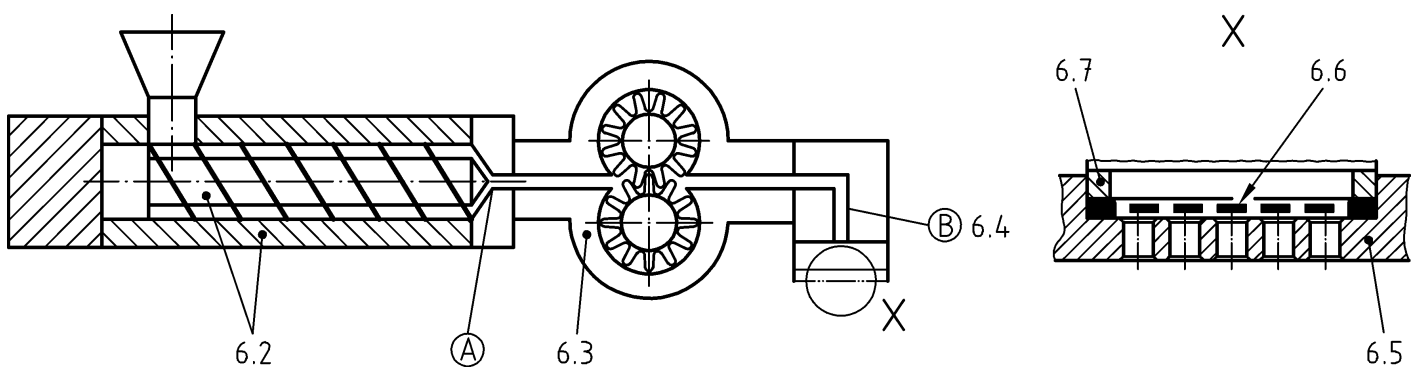
**5.3 Test mixture**

A homogeneous mixture of a colour concentrate (5.1) and the basic test polymer (5.2) as specified in Clause 7.

**6 Apparatus**

**6.1 General**

Figure 1 illustrates the principle construction of the apparatus (see 6.2 to 6.7).



**Key**

- A Melt pressure transducer in front of the melt pump
- B Melt pressure transducer in front of the filter

**Figure 1 — Apparatus**

**6.2 Extruder**

A single screw extruder with non-grooved barrel and a screw without dispersing elements shall be used. A screw with a diameter between 19 mm and 30 mm and with a length of 20 L/D to 30 L/D (length/diameter) is recommended. It is necessary to have a melt pressure transducer in front of the melt pump (A) to measure the pressure of the melt. An electronic controller with screw speed/pressure feedback loop is necessary in order to maintain this pressure constant, preferably at a level between 30 bar and 60 bar, to ensure that the melt pump is completely filled and to ensure optimum homogeneity of the melt.

**6.3 Melt pump**

The melt pump, preferably a metering pump, shall provide a constant throughput of 50 cm<sup>3</sup>/min to 60 cm<sup>3</sup>/min.

**6.4 Melt pressure transducer**

The pressure range shall be preferably between 0 bar and 100 bar for mixture 1 (7.2) and between 0 bar and 350 bar for mixture 2 (7.3). The accuracy of the melt pressure transducer (B) shall be within ± 1% with a repeatability of less than ± 0,1%.

NOTE The resolution of the pressure measurement should be 0,1 bar.

**6.5 Breaker plate**

A breaker plate is used to support the screen-pack and defines its free area (see Annex A).

## 6.6 Filter

### 6.6.1 General

The filter media is that part of the system which influences the differential pressure used as the basic data for determining the results of the test.

The differential pressure increase is dependent on the retention characteristics of the filter media.

In order to have comparable results it is important that the filter media is defined in detail and assembled exactly to specification.

Screen-packs are used as filter media. The screen-pack is assembled from ultrasonically cleaned filter discs, having a filter diameter of 33,8 mm ( $\pm 0,1$  mm), in a multi-layer construction, preferably held together in an aluminium frame. All screens shall be made from a suitable material appropriate to the polymer used, e.g. stainless steel in accordance with EN 10088-1, Type 1.4404. Any change in specification (e. g. weaving pattern, surface condition, number of apertures per unit length or aperture width) can lead to a different test result.

### 6.6.2 Screen-pack 1

Two-layer construction, where the first layer is a reverse plain dutch weave 615/108 warp/weft per 25,4 mm with a wire diameter of 0,042 mm/0,14 mm and the second layer (support mesh) is a square mesh plain weave 0,63 mm aperture width with a wire diameter of 0,40 mm calendered (for further details see ISO 9044).

### 6.6.3 Screen-pack 2

Two-layer construction, where the first layer is a reverse plain dutch weave 615/132 warp/weft per 25,4 mm with a wire diameter of 0,042 mm/0,13 mm and the second layer (support mesh) is a square mesh plain weave 0,63 mm aperture width with a wire diameter of 0,40 mm calendered (for further details see ISO 9044).

### 6.6.4 Screen-pack 3

Three-layer construction, where the first layer is a twilled dutch weave 165/1400 warp/weft per 25,4 mm with a wire diameter of 0,071 mm/0,040 mm and the second layer (support mesh) is a square mesh plain weave 0,25 mm aperture width with a wire diameter of 0,16 mm and the third layer (support mesh) is a square mesh plain weave 0,63 mm aperture width with a wire diameter of 0,40 mm calendered (for further details see ISO 9044).

NOTE 1 The use of further finer screen-packs than described in 6.6.2 may be agreed between the interested parties.

NOTE 2 It is recommended to request confirmation from the supplier that the above specifications are used for the screen-pack. Especially the number of apertures per unit length and the wire diameters of the individual layers are extremely critical for the result of the filter pressure value test.

## 6.7 Sealing ring

The sealing ring or aluminium frame of the filter disc should have a diameter of 33,8 mm  $\pm 0,1$  mm and an inside diameter of 28 mm  $\pm 0,1$  mm.

If the screen-pack has no aluminium frame a sealing ring is to be used.

## 7 Preparation of test mixtures

### 7.1 General

The colour concentrate (5.1) and the basic test polymer (5.2) are mixed together, for example in a glass or plastics container, to provide the homogeneous test mixture.

NOTE 1 Mixture 1 is recommended for colour pigments and mixture 2 is recommended for white and carbon black pigments.

## EN 13900-5:2005 (E)

NOTE 2 The use of other mixtures may be agreed between the interested parties.

NOTE 3 Colorant quantities below 5,0 g will lead to insufficient accuracy.

### 7.2 Mixture 1

A test mixture of 200 g (100 %), including 5,0 g colorant (2,5 %) is used.

NOTE If the colour concentrate contains 40% colorant the quantities are: 12,5 g colour concentrate and 187,5 g basic test polymer.

### 7.3 Mixture 2

A test mixture of 1000 g (100 %), including 80,0 g colorant (8 %) is used.

NOTE If the colour concentrate contains 40% colorant the quantities are: 200 g colour concentrate and 800 g basic test polymer.

## 8 Procedure

### 8.1 Pre-conditioning

The complete apparatus (Clause 6) should be pre-heated to the processing temperature appropriate for the basic test polymer.

The equipment should be cleaned or adequately purged with the basic test polymer (5.2) before each test is started.

### 8.2 Determination

Mount a new screen-pack (6.6.2 to 6.6.4) in front of the breaker plate (6.5) and the measuring equipment in such a way that the melt flows through the finer screen first and through the breaker plate last. A sealing ring (6.7) shall prevent leakage of the mixture around the edge of the screen-pack.

Allow sufficient time for the screen-pack and the breaker plate to reach the temperature of the equipment. This time will depend on the equipment being used. The basic test polymer (5.2) is then plasticized in the extruder and passed through the screen-pack with a defined melt volume throughput until the melt temperature and pressure remain constant. The machine conditions should guarantee a constant melt temperature, with temperature deviations of less than  $\pm 2^{\circ}\text{C}$ .

Measure the start pressure  $p_s$  developed by the basic test polymer directly in front of the screen-pack. The start pressure  $p_s$  should be constant. When the hopper is empty and the extruder screw is just visible, add the test mixture (5.3).

NOTE A pressure drop can occur because of different rheological properties of basic test polymer and test mixture.

After feeding of the test mixture is completed, 100 g basic test polymer are added just as the extruder screw becomes visible again.

The test is finished as soon as the extruder screw once again becomes visible. Use the recorded data to evaluate the maximum pressure  $p_{\max}$  and to calculate the filter pressure value.

Remove the screen-pack while still hot and purge the apparatus thoroughly with basic test polymer for the next test.



## 9 Evaluation

The filter pressure value [FPV], defined as the increase of pressure per gram colorant, is calculated by using the following equation:

$$FPV = \frac{(p_{\max} - p_s)}{m_c}$$

where

FPV filter pressure value, in bar per gram [bar/g];

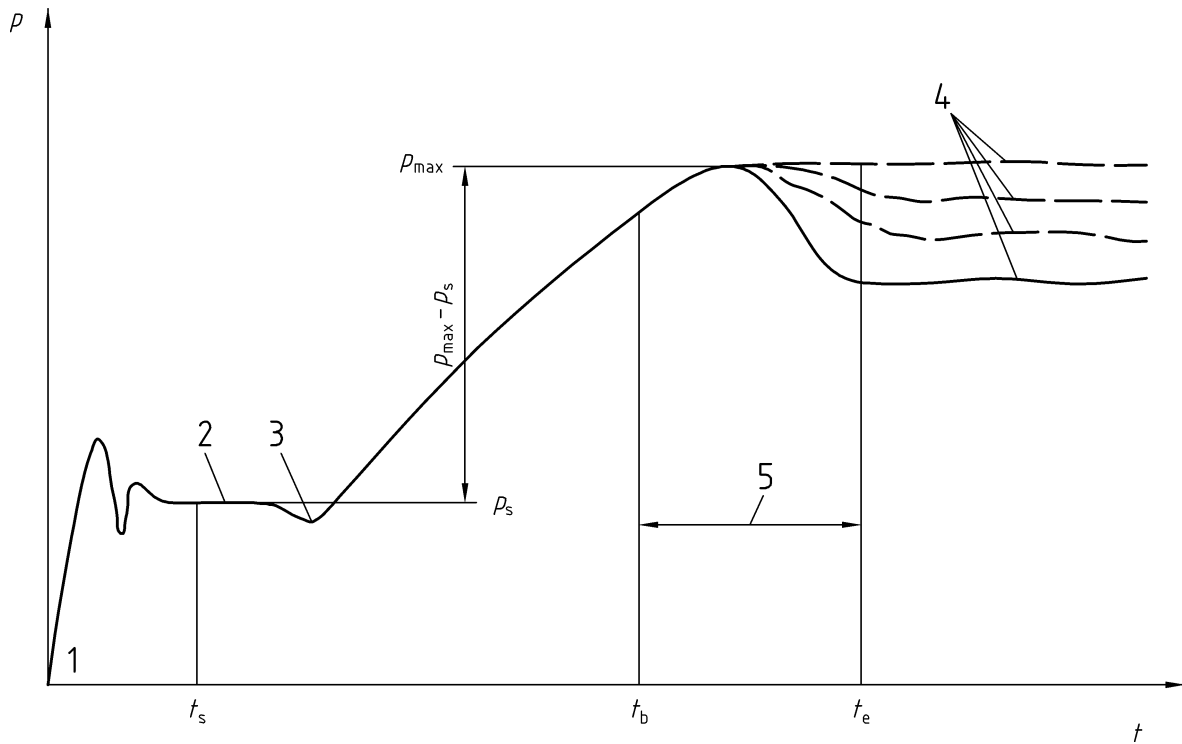
$p_s$  start pressure, in bar;

$p_{\max}$  maximum pressure, in bar;

$m_c$  colorant quantity used in the test, in gram.

It is recommended to express the filter pressure value accurate to one decimal place.

Figure 2 illustrates an example of a typical pressure curve.



**Key**

- 1 Start period
- 2 Start pressure  $p_s$
- 3 Possible pressure drop because of rheological properties
- 4 Different pressure development depending on the test mixture
- 5 Purging with 100 g of basic test polymer
- $p$  Pressure
- $p_s$  Start pressure
- $p_{max}$  Maximum pressure
- $t$  Time
- $t_s$  Measuring of  $p_s$  and filling of the hopper with basic test mixture
- $t_b$  Feeding of the test mixture is completed
- $t_e$  End of monitoring of pressure and determination of the maximum pressure  $p_{max}$

**Figure 2 — Typical pressure curve**

## 10 Test report

The test report shall contain at least the following information:

- a) reference to this European Standard (EN 13900-5);
- b) all necessary details to identify the colour concentrate tested;
- c) all necessary details to identify the basic test polymer;
- d) description of the test mixture (Clause 7);
- e) all necessary details about the test procedure and the test conditions (e. g. test equipment, type of screen-pack, melt temperature, melt volume throughput);
- f) result of the test, as indicated in Clause 9;
- g) any deviation from the test method specified;
- h) date of the test.

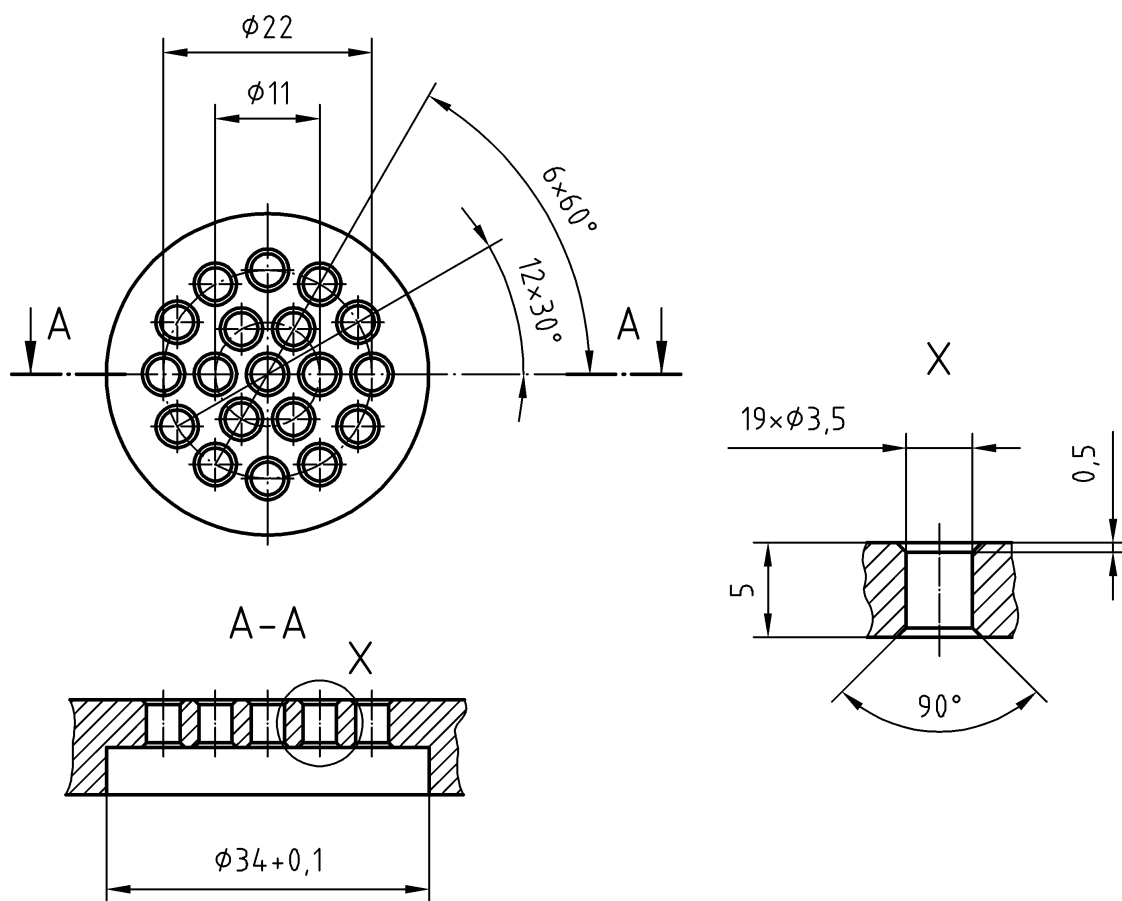
## 11 Precision

This European Standard defines the principles of the method and the procedures to be used, but allows variation as regards the dimensions of the machinery and the composition of the test mixture used. Precision data thus cannot be established for the method itself, precision should be determined by repeatability and reproducibility studies according to the equipment and test mixture used in the testing laboratory, and according to the pigment under test.

**Annex A**  
(normative)

**Breaker plate**

Dimensions in millimetres



**Figure A.1 — Breaker plate**

## Annex B (informative)

### Example of a test report

The following example of a test report is based on one of the round-robin tests carried out in the preparation of this European Standard.

- a) EN 13900-5;
- b) colour concentrate based on polypropylene (40 % pigment content, Colour Index: Pigment Green 7);
- c) PP fibre grade, melt flow rate (MFR) 230 °C/2,16 kg = 25 g/10 min;
- d) 12,5 g colour concentrate [b]) and 187,5 g PP fibre grade [c]);
- e) apparatus: melt temperature 230 °C, throughput 54 cm<sup>3</sup>/min, screen-pack 1 (6.6.2);
- f) FPV = 0,8 bar/g;
- g) none;
- h) 2005-01-15.

## Bibliography

ISO 9044, *Industrial woven wire cloth – Requirements and tests.*



---

---

## BSI — British Standards Institution

BSI is the independent national body responsible for preparing British Standards. It presents the UK view on standards in Europe and at the international level. It is incorporated by Royal Charter.

### Revisions

British Standards are updated by amendment or revision. Users of British Standards should make sure that they possess the latest amendments or editions.

It is the constant aim of BSI to improve the quality of our products and services. We would be grateful if anyone finding an inaccuracy or ambiguity while using this British Standard would inform the Secretary of the technical committee responsible, the identity of which can be found on the inside front cover. Tel: +44 (0)20 8996 9000. Fax: +44 (0)20 8996 7400.

BSI offers members an individual updating service called PLUS which ensures that subscribers automatically receive the latest editions of standards.

### Buying standards

Orders for all BSI, international and foreign standards publications should be addressed to Customer Services. Tel: +44 (0)20 8996 9001. Fax: +44 (0)20 8996 7001. Email: [orders@bsi-global.com](mailto:orders@bsi-global.com). Standards are also available from the BSI website at <http://www.bsi-global.com>.

In response to orders for international standards, it is BSI policy to supply the BSI implementation of those that have been published as British Standards, unless otherwise requested.

### Information on standards

BSI provides a wide range of information on national, European and international standards through its Library and its Technical Help to Exporters Service. Various BSI electronic information services are also available which give details on all its products and services. Contact the Information Centre. Tel: +44 (0)20 8996 7111. Fax: +44 (0)20 8996 7048. Email: [info@bsi-global.com](mailto:info@bsi-global.com).

Subscribing members of BSI are kept up to date with standards developments and receive substantial discounts on the purchase price of standards. For details of these and other benefits contact Membership Administration. Tel: +44 (0)20 8996 7002. Fax: +44 (0)20 8996 7001. Email: [membership@bsi-global.com](mailto:membership@bsi-global.com).

Information regarding online access to British Standards via British Standards Online can be found at <http://www.bsi-global.com/bsonline>.

Further information about BSI is available on the BSI website at <http://www.bsi-global.com>.

### Copyright

Copyright subsists in all BSI publications. BSI also holds the copyright, in the UK, of the publications of the international standardization bodies. Except as permitted under the Copyright, Designs and Patents Act 1988 no extract may be reproduced, stored in a retrieval system or transmitted in any form or by any means – electronic, photocopying, recording or otherwise – without prior written permission from BSI.

This does not preclude the free use, in the course of implementing the standard, of necessary details such as symbols, and size, type or grade designations. If these details are to be used for any other purpose than implementation then the prior written permission of BSI must be obtained.

Details and advice can be obtained from the Copyright & Licensing Manager. Tel: +44 (0)20 8996 7070. Fax: +44 (0)20 8996 7553. Email: [copyright@bsi-global.com](mailto:copyright@bsi-global.com).