

Roller sports equipment — Skateboards — Safety requirements and tests methods

ICS 97.220.40

National foreword

This British Standard is the UK implementation of EN 13613:2009. It supersedes BS EN 13613:2001 which is withdrawn.

The UK participation in its preparation was entrusted to Technical Committee SW/136, Sports, playground and other recreational equipment.

A list of organizations represented on this committee can be obtained on request to its secretary.

This publication does not purport to include all the necessary provisions of a contract. Users are responsible for its correct application.

Compliance with a British Standard cannot confer immunity from legal obligations.

This British Standard was published under the authority of the Standards Policy and Strategy Committee on 28 February 2010.

© BSI 2010

ISBN 978 0 580 59266 9

Amendments/corrigenda issued since publication

Date	Comments

EUROPEAN STANDARD

EN 13613

NORME EUROPÉENNE

EUROPÄISCHE NORM

April 2009

ICS 97.220.40

Supersedes EN 13613:2001

English Version

Roller sports equipment - Skateboards - Safety requirements and tests methods

Équipement de sports à roulettes - Planches à roulettes -
Exigences de sécurité et méthodes d'essai

Rollsportgeräte - Skateboards - Sicherheitstechnische
Anforderungen und Prüfverfahren

This European Standard was approved by CEN on 5 March 2009.

CEN members are bound to comply with the CEN/CENELEC Internal Regulations which stipulate the conditions for giving this European Standard the status of a national standard without any alteration. Up-to-date lists and bibliographical references concerning such national standards may be obtained on application to the CEN Management Centre or to any CEN member.

This European Standard exists in three official versions (English, French, German). A version in any other language made by translation under the responsibility of a CEN member into its own language and notified to the CEN Management Centre has the same status as the official versions.

CEN members are the national standards bodies of Austria, Belgium, Bulgaria, Cyprus, Czech Republic, Denmark, Estonia, Finland, France, Germany, Greece, Hungary, Iceland, Ireland, Italy, Latvia, Lithuania, Luxembourg, Malta, Netherlands, Norway, Poland, Portugal, Romania, Slovakia, Slovenia, Spain, Sweden, Switzerland and United Kingdom.



EUROPEAN COMMITTEE FOR STANDARDIZATION
COMITÉ EUROPÉEN DE NORMALISATION
EUROPÄISCHES KOMITEE FÜR NORMUNG

Management Centre: Avenue Marnix 17, B-1000 Brussels

© 2009 CEN All rights of exploitation in any form and by any means reserved
worldwide for CEN national Members.

Ref. No. EN 13613:2009: E

Contents

Page

Foreword.....	3
1 Scope	4
2 Normative references	4
3 Terms and definitions	4
4 Classification.....	4
5 Construction.....	5
6 Test methods.....	6
7 Marking	12
8 Information supplied by the manufacturer	12
Annex A (informative) Skateboard safety code.....	14
Bibliography	15

Foreword

This document (EN 13613:2009) has been prepared by Technical Committee CEN/TC 136 "Sports, playground and other recreational equipment", the secretariat of which is held by DIN.

This European Standard shall be given the status of a national standard, either by publication of an identical text or by endorsement, at the latest by October 2009, and conflicting national standards shall be withdrawn at the latest by October 2009.

Attention is drawn to the possibility that some of the elements of this document may be the subject of patent rights. CEN [and/or CENELEC] shall not be held responsible for identifying any or all such patent rights.

This document supersedes EN 13613:2001.

Annex A is informative.

In relation to EN 13613:2001, the following main changes have been introduced:

- a) classification in 4.1 modified;
- b) velocity in 6.7.2 and 6.10.2 changed;
- c) marking in Clause 7 d) and e) modified;
- d) service and maintenance in 8.3 a) and f) modified;
- e) WARNING in 8.4 modified.

According to the CEN/CENELEC Internal Regulations, the national standards organizations of the following countries are bound to implement this European Standard: Austria, Belgium, Bulgaria, Cyprus, Czech Republic, Denmark, Estonia, Finland, France, Germany, Greece, Hungary, Iceland, Ireland, Italy, Latvia, Lithuania, Luxembourg, Malta, Netherlands, Norway, Poland, Portugal, Romania, Slovakia, Slovenia, Spain, Sweden, Switzerland and the United Kingdom.

1 Scope

This standard specifies requirements for non-motorized skateboards which are supplied for use by one rider at a time.

The skateboards covered by this standard are graded by performance criteria for different categories of body weight.

This standard is not applicable for skateboards for use by a rider up to 20 kg. EN 71-1 is applicable for those.

This standard does not apply to individual components.

2 Normative references

The following referenced documents are indispensable for the application of this document. For dated references, only the edition cited applies. For undated references, the latest edition of the referenced document (including any amendments) applies.

EN 22768-1, General tolerances — *Part 1: Tolerances for linear and angular dimensions without individual tolerance indications (ISO 2768-1:1989)*

3 Terms and definitions

For the purposes of this document, the following terms and definitions apply.

3.1 skateboard
fully assembled and useable sports equipment consisting of one deck on two trucks and wheels on which the rider can propel him/herself and which can be steered by shifting his/her body mass

3.2 mid-steering setting
setting between the positions of the softest and hardest steering settings

3.3 softest steering setting
setting achieved when for example an action bolt (Kingpin) is unscrewed so that the cushion is just relieved of any pressure from it

3.4 hardest steering setting
setting achieved when for example an action bolt (Kingpin) is fully tightened so that the cushion is subjected to maximum pressure from it

4 Classification

4.1 Class A
Skateboards intended for use by a rider of more than 20 kg up to 100 kg mass.

4.2 Class B
Skateboards intended for use by a rider of more than 20 kg up to 50 kg.

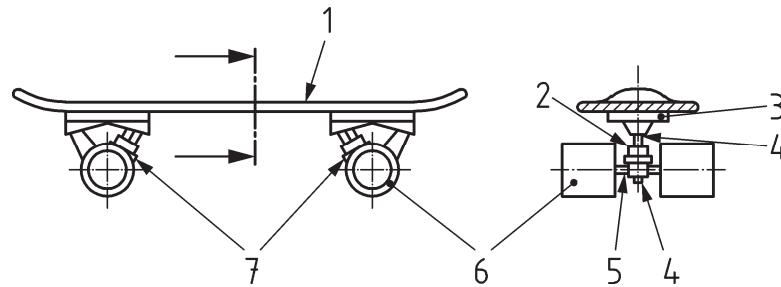
5 Construction

5.1 General

Typical components of a skateboard are illustrated in Figure 1.

NOTE Figure 1 is only an example for reference.

General tolerances: EN 22768-v.



Key

- 1 Deck
- 2 Cushion
- 3 Riser pad
- 4 Action bolt (Kingpin)
- 5 Axle
- 6 Wheels
- 7 Trucks

Figure 1 — Components of a skateboard

5.2 Requirements

5.2.1 There shall be no projections above the upper surface of the deck. The complete upper surface of the deck shall be equipped with an anti-slide surface.

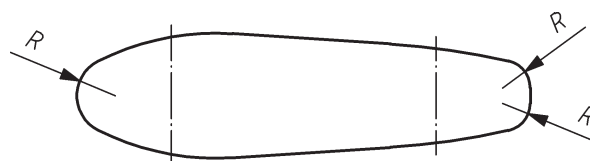
5.2.2 When tested in accordance with 6.8, it shall not be possible to touch, with the test cylinder (see 6.8.2), any projection which has a length greater than 10 mm and less than 100 mm² in area.

5.2.3 When the action bolt (kingpin) of the truck is fully tightened, no part of the action bolt shall be in contact with the underside of the deck.

5.2.4 If a part of the axles and means of securing the wheels shall project beyond the outer edge of the wheels than the axle and means of securing the wheels shall not project beyond the deck.

All edges on the skateboard which can come into contact with parts of the body during normal use shall be rendered safe, or shaped so that injuries cannot occur.

5.2.5 The corners and edges of the deck shall be rounded off and free from burr and sharp or protruding edges. The outlines of the deck shall be rounded off with a minimum radius of 10 mm as shown in Figure 2.



Key

$R \geq 10 \text{ mm}$

Figure 2 — Radius of edges of deck

5.2.6 Where self-locking nuts are used, the entire thread, including the locking section, shall be in contact with the bolt. Self-locking nuts and other self-locking fixings that are loosened several times for the purpose of modification or servicing, shall be suitable for this purpose. The information supplied by the manufacturer shall indicate if self-locking nuts and other self-locking elements can lose their effectiveness.

5.2.7 When tested in accordance with 6.5, the coefficient of adhesion (μ_0) of the wheels shall be a minimum of 0,3.

5.2.8 When tested in accordance with 6.6, the wheel bearings shall not get stuck or disintegrate.

5.2.9 When tested in accordance with 6.7, 6.9 and 6.10 no part of the skateboard shall break, there shall be no signs of functional damage and no fastening devices shall have worked loose.

6 Test methods

6.1 General

All tests shall be carried out on fully assembled skateboards at the mid-steering setting.

6.2 Test specimens

Two skateboards of the same type shall be tested in accordance with the order described in 6.3.

6.3 Order of testing

6.3.1 Specimen 1

The specimen shall be subjected to the test in the following order:

- a) wheel adhesion test (see 6.5);
- b) speed test (see 6.6);
- c) endurance test (see 6.7).

6.3.2 Specimen 2

The specimen shall be subjected to the test in the following order:

- a) test of external design (see 6.8);
- b) drop test (see 6.9);
- c) impact test (see 6.10).

6.4 Conditioning and testing temperatures

Unless otherwise specified the skateboards shall be conditioned and tested either at a temperature of (23 ± 2) °C and a relative humidity of (50 ± 5) % or at a temperature of (20 ± 2) °C and a relative humidity of (65 ± 5) %.

6.5 Wheel adhesion test

6.5.1 Principle

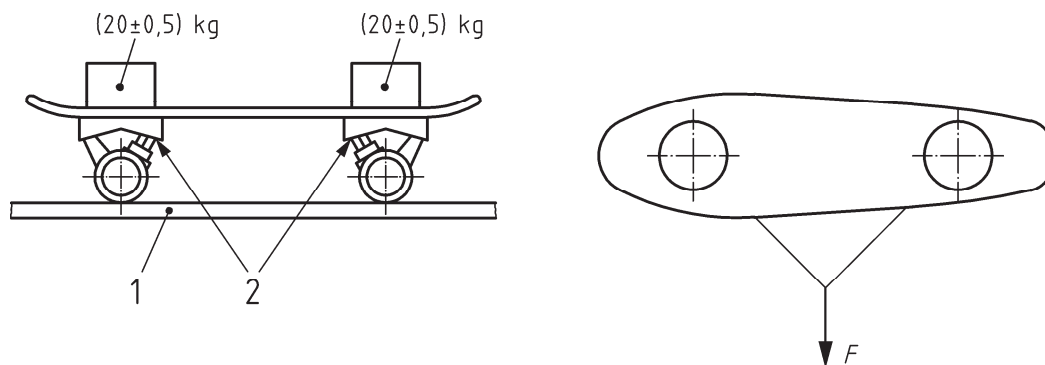
The wheel adhesion is tested by pulling a wheel along a steel plate with a fine brushed and degreased surface of arithmetical mean roughness R_a of 1,5 μm to 2,0 μm .

6.5.2 Apparatus

Steel plate, with a parallel lay and surface texture between $R_a = 1,5 \mu\text{m}$ and $R_a = 2,0 \mu\text{m}$ and two weights, each of $(20 \pm 0,5)$ kg mass.

6.5.3 Procedure

Degrease the tyre surface of the wheels of the skateboard and the steel plate. Measure the mass of the skateboard. Load the skateboard with a mass of $(20 \pm 0,5)$ kg over each axle and place it on the steel plate so that the lay is perpendicular to the force F to be applied. Apply force without shock to the trucks (see Figure 3) and when the wheels are at the point of slipping, measure the applied force F .



Key

- 1 Steel plate
- 2 Point of application of force

Figure 3 — Adhesion test apparatus

6.5.4 Calculation of results

Calculate the coefficient of adhesion of the wheels μ_0 from Equation (1):

$$\mu_0 = \frac{F}{(40 + m) \times g} \quad (1)$$

where

- F is the force applied, in newtons;
- m is the mass of the skateboard, in kilograms;
- g is the acceleration due to gravity, i.e. 9,81 m/s^2 .

6.6 Speed test

6.6.1 Principle

A loaded skateboard is driven at speed and the wheel bearings are examined for signs of damage.

6.6.2 Procedure

For skateboards Class A, place a mass of $(50 \pm 0,5)$ kg over the one axle set of wheels under test. Run the skateboard continuously at a speed of $(20 \pm 0,5)$ km/h for at least 6 min.

For skateboards Class B, place a mass of $(40 \pm 0,5)$ kg over the one axle set of wheels under test. Run the skateboard continuously at a speed of $(20 \pm 0,5)$ km/h for at least 3 min.

Note whether or not the wheel bearings seize up or disintegrate.

6.7 Endurance test

6.7.1 Principle

One set of wheels of a skateboard not tested in accordance with 6.6 is subjected to a simulation of normal wear and tear using a cylindrical ramp apparatus. The skateboard is then examined for any damage to its functionality.

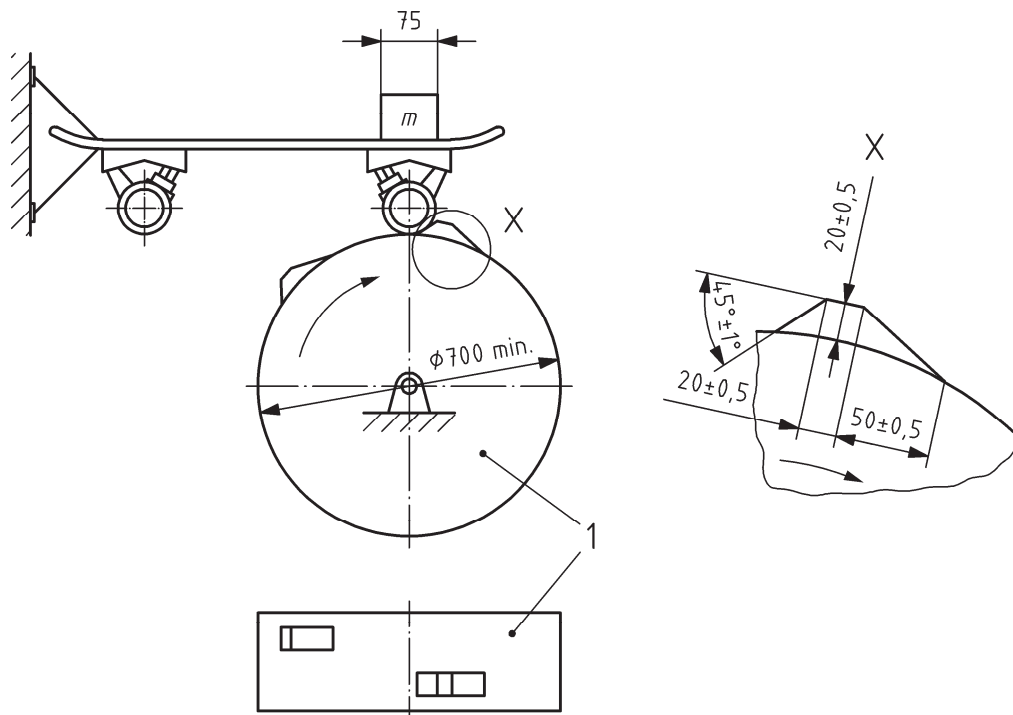
6.7.2 Apparatus

The test is carried out on a drum rotating at a circumferential speed of 0,5 m/s.

The drum is fitted with ramps offset one to another and evenly spaced.

The distance between these ramps shall be such that the skateboard passes over at least one ramp in 1,5 s (see Figure 4).

Linear dimensions in millimetres



Key

- 1 Drum
- m* mass

Figure 4 — Diagram of endurance test apparatus

6.7.3 Procedure

Test the set of wheels of the skateboard referred to in 6.7.1 while the skateboard is allowed only to move vertically on the tested end and is fixed horizontally and vertically on the other end of the skateboard (see Figure 4).

Place a mass $m = (40 \pm 0,5)$ kg for skateboards of Class A and $m = (25 \pm 0,5)$ kg for Class B over a length of 75 mm centrally over the deck axle.

For skateboards Class A and B set the cylinder in motion and run it until the distance covered by the wheels under test is $(25 \pm 0,5)$ km.

Note whether or not there is any breakage, signs of functional damage, or any fastening devices have worked loose.

6.8 External design

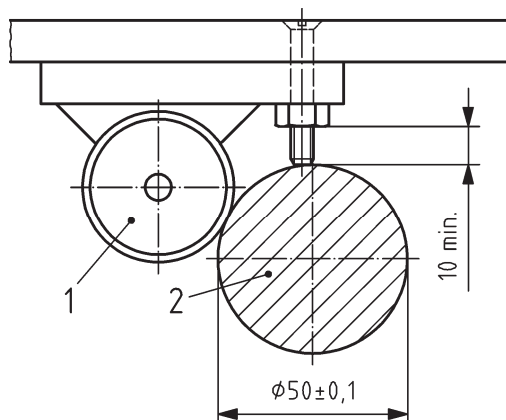
6.8.1 Principle

A test cylinder is used to assess protruding parts.

6.8.2 Apparatus

Test cylinder of diameter $(50 \pm 0,1)$ mm and minimum length 150 mm (see Figure 5).

Dimensions in millimetres



Key

- 1 Wheel
- 2 Test cylinder

Figure 5 — Example of use of test cylinder

6.8.3 Procedure

Using the cylinder (see 6.8.2), test any projecting parts such as screws and levers that project by more than 10 mm and less than 100 mm^2 in area.

Present the cylinder at any angle to the part under test.

Note whether or not the part under test touches the outer surface, excluding the ends, of the cylinder.

6.9 Drop test

6.9.1 Principle

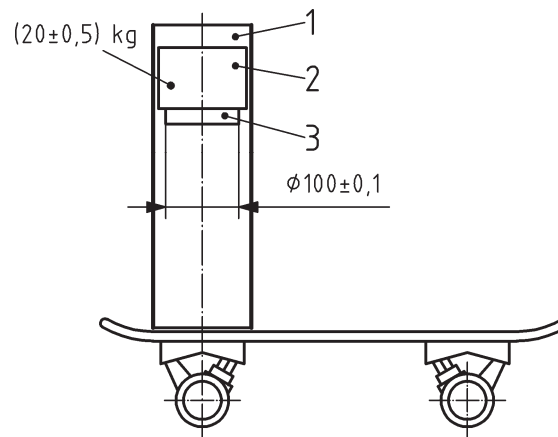
A cylindrical mass is dropped freely on to various points on a skateboard, which is then examined for any damage to its integrity.

6.9.2 Apparatus

The test apparatus shall consist of

- a) a cylindrical weight, of mass $(20 \pm 0,5)$ kg and diameter $(100 \pm 0,1)$ mm (see Figure 6);
- b) a sheet of rubber, fitted to the weight, of thickness of (17 ± 1) mm and (70 ± 2) Shore A; and
- c) a guide tube, (see Figure 6).

Dimensions in millimetres



Key

- 1 Guide tube
- 2 Test weight
- 3 Rubber sheet

Figure 6 — Apparatus for drop test

6.9.3 Procedure

Drop the cylindrical weight, in free fall, down the guide tube on to the centre of the skateboard three times, then three times on to the central area of one axle, and finally three times on to the central area of the other axle. During the test, hold the skateboard to prevent it from rolling away.

For skateboards Class A, drop the weight through (300 ± 5) mm on to the centre of the board and through (200 ± 5) mm on to the centre of the axles.

For skateboards Class B, drop the weight through (200 ± 5) mm on to the centre of the board and through (200 ± 5) mm on to the centre of the axles.

Carry out the test after the skateboard has been conditioned for at least 24 h at conditions specified in 6.4. If plastic material is used for decks or trucks the skateboard has to be conditioned for at least 6 h at a temperature of (-5 ± 1) °C. Start the test within 1 min of removing the skateboard from the conditioning environment and complete it within 5 min.

Note whether or not there is any breakage, signs of functional damage or any fastening devices have worked loose.

6.10 Impact test

6.10.1 Principle

A skateboard is driven against a kerb and is examined for damage to its integrity.

6.10.2 Apparatus

Dynamic impact test rig, comprising the following:

- a) skateboard is accelerated in a controlled fashion up to 18 km/h;
- b) a kerb, with a height equal to the diameter of the wheel, held rigidly in position.

6.10.3 Procedure

Drive the skateboard three times against the kerb.

Note whether or not there is any breakage, signs of functional damage, or any fastening devices have worked loose.

7 Marking

Each skateboard shall be legibly and durably marked with the following information:

- a) the number of this European Standard;
- b) the name, trademark or other means of identification of the manufacturer or retailer;
- c) means of identification of the product;
- d) maximum mass limit of the user;
- e) advice: The use of protective equipment is recommended.

8 Information supplied by the manufacturer

8.1 General

All skateboards shall be supplied with information supplied by the manufacturer.

This document shall contain, in text or picture form, at least the information in accordance with 8.2 to 8.5.

8.2 Information about the construction of the skateboard

The following shall be included:

- a) a note to the effect that no modifications shall be made that can impair safety;
- b) a note indicating if self-locking nuts and other self-locking fixings can lose their effectiveness.

8.3 Instructions for use

The following notes shall be included:

- a) notes concerning limitations of use according to regulations of road safety and recommendations regarding or descriptions of suitable surfaces (flat, clean, dry and where possible away from other road users);
- b) use of the following protective equipment: hand/wrist protection, knee protection, head protection and elbow protection;
- c) instruction to check that the skateboard steering mechanism, if present, is correctly adjusted and that the connective components are firmly secured;
- d) description for using and for braking.

8.4 Servicing and maintenance instructions

Clear note stating that regular maintenance enhances the safety of the equipment.

This includes:

- a) note regarding the maintenance of the bearings;
- b) replacement of wheels and cushions (where possible or present);
- c) lubrication of the bearings;
- d) steering adjustment;
- e) note to remove any sharp edges created through use;
- f) inspection;
- g) note to look for splinters and cracks in the deck and to replace when needed.

8.5 Skateboards safety code

WARNING — Skateboarding can be dangerous.

Proposal for details see Annex A.

Annex A (informative)

Skateboard safety code

- a) Choose to skateboard in places which allow you to improve your skills, not on pavements or streets, where serious accidents have happened to skateboarders and other people.
- b) Children under eight years of age should be supervised at all times when skateboarding.
- c) Learn everything slowly, including new tricks. When losing balance don't wait until you fall, step off and start again. Ride down gentle slopes at first. Then ride slopes where your speed is only as fast as you can run off the board without falling.
- d) Most serious skateboard injuries are broken bones so learn to fall (by rolling if possible) without the skateboard first.
- e) Skateboarders starting to learn need to try with a friend or parent. Most bad accidents happen in the first month.
- f) Before you jump off a skateboard watch where it may go: it could injure someone else.
- g) Avoid skateboarding on wet or uneven surfaces.
- h) Join a club in your area and learn more. Prove you are a good skateboarder and care about yourself and others.

Bibliography

- [1] EN 71-1, Safety of toys — *Part 1: Mechanical and physical properties*

BSI - British Standards Institution

BSI is the independent national body responsible for preparing British Standards. It presents the UK view on standards in Europe and at the international level. It is incorporated by Royal Charter.

Revisions

British Standards are updated by amendment or revision. Users of British Standards should make sure that they possess the latest amendments or editions.

It is the constant aim of BSI to improve the quality of our products and services. We would be grateful if anyone finding an inaccuracy or ambiguity while using this British Standard would inform the Secretary of the technical committee responsible, the identity of which can be found on the inside front cover. Tel: +44 (0)20 8996 9000. Fax: +44 (0)20 8996 7400.

BSI offers members an individual updating service called PLUS which ensures that subscribers automatically receive the latest editions of standards.

Buying standards

Orders for all BSI, international and foreign standards publications should be addressed to Customer Services. Tel: +44 (0)20 8996 9001. Fax: +44 (0)20 8996 7001 Email: orders@bsigroup.com You may also buy directly using a debit/credit card from the BSI Shop on the Website <http://www.bsigroup.com/shop>

In response to orders for international standards, it is BSI policy to supply the BSI implementation of those that have been published as British Standards, unless otherwise requested.

Information on standards

BSI provides a wide range of information on national, European and international standards through its Library and its Technical Help to Exporters Service. Various BSI electronic information services are also available which give details on all its products and services. Contact Information Centre. Tel: +44 (0)20 8996 7111 Fax: +44 (0)20 8996 7048 Email: info@bsigroup.com

Subscribing members of BSI are kept up to date with standards developments and receive substantial discounts on the purchase price of standards. For details of these and other benefits contact Membership Administration. Tel: +44 (0)20 8996 7002 Fax: +44 (0)20 8996 7001 Email: membership@bsigroup.com

Information regarding online access to British Standards via British Standards Online can be found at <http://www.bsigroup.com/BSOL>

Further information about BSI is available on the BSI website at <http://www.bsigroup.com>.

Copyright

Copyright subsists in all BSI publications. BSI also holds the copyright, in the UK, of the publications of the international standardization bodies. Except as permitted under the Copyright, Designs and Patents Act 1988 no extract may be reproduced, stored in a retrieval system or transmitted in any form or by any means – electronic, photocopying, recording or otherwise – without prior written permission from BSI.

This does not preclude the free use, in the course of implementing the standard, of necessary details such as symbols, and size, type or grade designations. If these details are to be used for any other purpose than implementation then the prior written permission of BSI must be obtained.

Details and advice can be obtained from the Copyright and Licensing Manager. Tel: +44 (0)20 8996 7070 Email: copyright@bsigroup.com