

Swimming pool equipment —

Part 6: Additional specific safety requirements and test methods for turning boards

The European Standard EN 13451-6:2001 has the status of a
British Standard

ICS 97.220.10

National foreword

This British Standard is the official English language version of EN 13451-6:2001

The UK participation in its preparation was entrusted by Technical Committee SW/136, Sports and playground equipment, to Subcommittee SW/136/8, Swimming pool equipment, which has the responsibility to:

- aid enquirers to understand the text;
- present to the responsible European committee any enquiries on the interpretation, or proposals for change, and keep the UK interests informed;
- monitor related international and European developments and promulgate them in the UK.

A list of organizations represented on this subcommittee can be obtained on request to its secretary.

Cross-references

The British Standards which implement international or European publications referred to in this document may be found in the BSI Standards Catalogue under the section entitled “International Standards Correspondence Index”, or by using the “Find” facility of the BSI Standards Electronic Catalogue.

A British Standard does not purport to include all the necessary provisions of a contract. Users of British Standards are responsible for their correct application.

Compliance with a British Standard does not of itself confer immunity from legal obligations.

This British Standard, having been prepared under the direction of the Consumer Products and Services Sector Committee, was published under the authority of the Standards Committee and comes into effect on 15 April 2001

Summary of pages

This document comprises a front cover, an inside front cover, the EN title page, pages 2 to 6, an inside back cover and a back cover.

The BSI copyright date displayed in this document indicates when the document was last issued.

Amendments issued since publication

Amd. No.	Date	Comments

ICS 97.220.10

English version

Swimming pool equipment - Part 6: Additional specific safety requirements and test methods for turning boards

Équipement de piscine - Partie 6: Exigences de sécurité et méthodes d'essai complémentaires spécifiques aux plaques de touche

Schwimmbadgeräte - Teil 6: Zusätzliche besondere sicherheitstechnische Anforderungen und Prüfverfahren für Anschlagplatten

This European Standard was approved by CEN on 13 January 2001.

CEN members are bound to comply with the CEN/CENELEC Internal Regulations which stipulate the conditions for giving this European Standard the status of a national standard without any alteration. Up-to-date lists and bibliographical references concerning such national standards may be obtained on application to the Management Centre or to any CEN member.

This European Standard exists in three official versions (English, French, German). A version in any other language made by translation under the responsibility of a CEN member into its own language and notified to the Management Centre has the same status as the official versions.

CEN members are the national standards bodies of Austria, Belgium, Czech Republic, Denmark, Finland, France, Germany, Greece, Iceland, Ireland, Italy, Luxembourg, Netherlands, Norway, Portugal, Spain, Sweden, Switzerland and United Kingdom.



EUROPEAN COMMITTEE FOR STANDARDIZATION
COMITÉ EUROPÉEN DE NORMALISATION
EUROPÄISCHES KOMITEE FÜR NORMUNG

Management Centre: rue de Stassart, 36 B-1050 Brussels

Contents

	Page		Page
Foreword	2	4.2 Structural integrity	4
1 Scope	3	4.3 Permeability for water circulation	4
2 Normative references	3	4.4 Top and side edges	4
3 Terms and definitions	3	4.5 Openings for lane lines	5
4 Safety requirements	3	5 Test methods	5
4.1 Dimensions	3	Annex A (informative) Requirements of FINA ..	6

Foreword

This European Standard has been prepared by Technical Committee CEN/TC 136 "Sports, playground and other recreational equipment", the secretariat of which is held by DIN.

This European Standard shall be given the status of a national standard, either by publication of an identical text or by endorsement, at the latest by August 2001, and conflicting national standards shall be withdrawn at the latest by August 2001.

The European Standard EN 13451 "Swimming pool equipment" consists of

- Part 1: General safety requirements and test methods
- Part 2: Additional specific safety requirements and test methods for ladders, stepladders and handle bends
- Part 3: Additional specific safety requirements and test methods for equipment for water treatment purposes
- Part 4: Additional specific safety requirements and test methods for starting platforms
- Part 5: Additional specific safety requirements and test methods for lane lines
- Part 6: Additional specific safety requirements and test methods for turning boards
- Part 7: Additional specific safety requirements and test methods for water polo goals
- Part 8: Additional specific safety requirements and test methods for leisure water features
- Part 9: Safety signs
- Part 10: Additional specific safety requirements and test methods for diving platforms, diving springboards and associated equipment
- Part 11: Additional specific safety requirements and test methods for moveable pool floors and moveable bulkheads

Annex A is informative.

According to the CEN/CENELEC Internal Regulations, the national standards organizations of the following countries are bound to implement this European Standard: Austria, Belgium, Czech Republic, Denmark, Finland, France, Germany, Greece, Iceland, Ireland, Italy, Luxembourg, Netherlands, Norway, Portugal, Spain, Sweden, Switzerland and the United Kingdom.

1 Scope

This part of EN 13451 specifies safety requirements for turning boards in addition to the general safety requirements of EN 13451-1:2001.

The requirements of this specific standard take priority over those in EN 13451-1:2001.

This part of EN 13451:2001 is applicable to manufactured turning boards for use in competition and training.

2 Normative references

This European Standard incorporates, by dated or undated reference, provisions from other publications. These normative references are cited at the appropriate places in the text and the publications are listed hereafter. For dated references, subsequent amendments to or revisions of any of these publications apply to this European Standard only when incorporated in it by amendment or revision. For undated references, the latest edition of the publication referred to applies (including amendments).

EN 13451-1:2001

Swimming pool equipment – Part 1: General safety requirements and test methods

3 Terms and definitions

For the purposes of this standard the terms and definitions of EN 13451-1:2001 and the following apply:

3.1 turning board: Device, fixed or removable, fitted to the pool surround to extend the height of the end wall, in the same plane. For swimmers, it provides a clear delineation of the end of the wall and/or surface to touch. They can be used for mounting timing panels.

4 Safety requirements

4.1 Dimensions

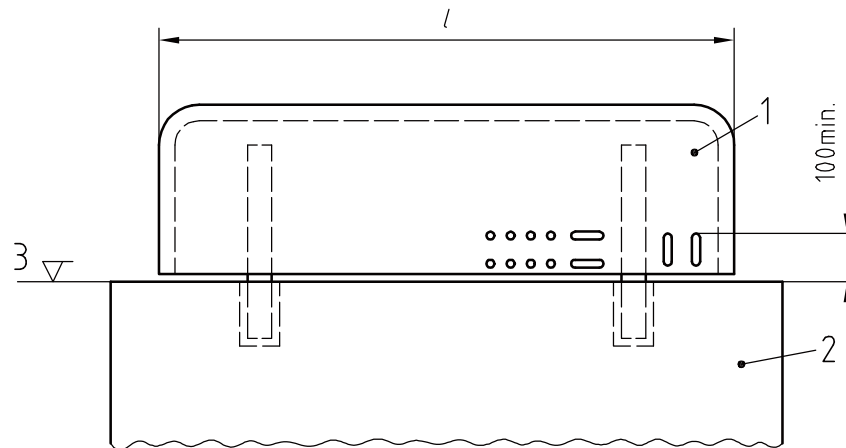
The dimensions indicated in the figures 1 and 2 shall be complied with. The design of the equipment doesn't need to comply with the examples given.

The turning board shall extend over the whole width of the lane, in one or more sections.

Turning boards shall be fitted in the same plane as the pool wall (see figure 2).

The minimum height of the turning boards shall be 300 mm measured from water level.

Dimensions in millimeters



Key

- edges designed to be suitable for grasping
- 1 Turning board with examples of openings for permeability
- 2 Pool wall
- 3 Water level
- l Lane width

Figure 1: Front view of a turning board – Example of installation over a Zurich overflow channel

NOTE: Dimensional requirements for competitive use, stipulated by the governing body FINA (Fédération Internationale de Natation Amateur), are given in annex A for information.

4.2 Structural integrity

Turning boards shall be designed to withstand a horizontal load, equivalent to 100 % of the vertical load stated in annex A of EN 13451-1 : 2001, applied at 90° to the panels, in either direction and parallel to the water surface.

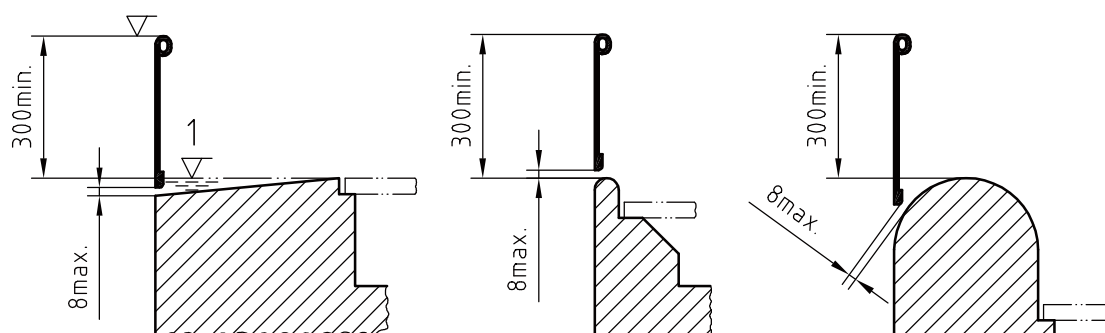
4.3 Permeability for water circulation

Turning boards shall be designed to allow the passage of water for water treatment purposes, for a height 100 mm in their lower part (see figure 2).

4.4 Top and side edges

The top and the side edges of the turning boards shall be designed to be suitable for grasping with a thickness between 25 mm and 50 mm (see figure 1).

Dimensions in millimetres



Key

1 Water level

a) Finnish overflow

b) Zurich overflow channel

c) St. Moritz overflow

Figure 2: Examples of installation of turning boards onto different overflow types

4.5 Openings for lane lines

Any opening provided for the passage of lane lines, exceeding 8 mm in one dimension, shall be fitted with a closing device, to prevent the risk of entrapment.

5 Test methods

The requirements of clause 4 shall be verified by the most appropriate method:

measurement, visual examination or practical tests.

Annex A (informative)

Requirements of FINA

Gutters may be placed on all four walls of the pool. If end wall gutters are installed, they must allow for attachment of touch panels to the required 0,3 m above the water surface. They must be covered with a suitable grill or screen.

BSI — British Standards Institution

BSI is the independent national body responsible for preparing British Standards. It presents the UK view on standards in Europe and at the international level. It is incorporated by Royal Charter.

Revisions

British Standards are updated by amendment or revision. Users of British Standards should make sure that they possess the latest amendments or editions.

It is the constant aim of BSI to improve the quality of our products and services. We would be grateful if anyone finding an inaccuracy or ambiguity while using this British Standard would inform the Secretary of the technical committee responsible, the identity of which can be found on the inside front cover. Tel: 020 8996 9000. Fax: 020 8996 7400.

BSI offers members an individual updating service called PLUS which ensures that subscribers automatically receive the latest editions of standards.

Buying standards

Orders for all BSI, international and foreign standards publications should be addressed to Customer Services. Tel: 020 8996 9001. Fax: 020 8996 7001. Standards are also available from the BSI website at <http://www.bsi-global.com>.

In response to orders for international standards, it is BSI policy to supply the BSI implementation of those that have been published as British Standards, unless otherwise requested.

Information on standards

BSI provides a wide range of information on national, European and international standards through its Library and its Technical Help to Exporters Service. Various BSI electronic information services are also available which give details on all its products and services. Contact the Information Centre. Tel: 020 8996 7111. Fax: 020 8996 7048.

Subscribing members of BSI are kept up to date with standards developments and receive substantial discounts on the purchase price of standards. For details of these and other benefits contact Membership Administration. Tel: 020 8996 7002. Fax: 020 8996 7001. Further information about BSI is available on the BSI website at <http://www.bsi-global.com>.

Copyright

Copyright subsists in all BSI publications. BSI also holds the copyright, in the UK, of the publications of the international standardization bodies. Except as permitted under the Copyright, Designs and Patents Act 1988 no extract may be reproduced, stored in a retrieval system or transmitted in any form or by any means – electronic, photocopying, recording or otherwise – without prior written permission from BSI.

This does not preclude the free use, in the course of implementing the standard, of necessary details such as symbols, and size, type or grade designations. If these details are to be used for any other purpose than implementation then the prior written permission of BSI must be obtained.

If permission is granted, the terms may include royalty payments or a licensing agreement. Details and advice can be obtained from the Copyright Manager. Tel: 020 8996 7070.