

Flat pallets for materials handling — Principal dimensions

The European Standard EN 13382:2002 has the status of a
British Standard

ICS 55.180.20

National foreword

This British Standard is the official English language version of EN 13382:2002.

The UK participation in its preparation was entrusted by Technical Committee PKW/5, Primary and transport packaging, to Subcommittee PKW/5/34, Pallets, which has the responsibility to:

- aid enquirers to understand the text;
- present to the responsible European committee any enquiries on the interpretation, or proposals for change, and keep the UK interests informed;
- monitor related international and European developments and promulgate them in the UK.

A list of organizations represented on this subcommittee can be obtained on request to its secretary.

Cross-references

The British Standards which implement international or European publications referred to in this document may be found in the BSI Standards Catalogue under the section entitled "International Standards Correspondence Index", or by using the "Find" facility of the BSI Standards Electronic Catalogue.

A British Standard does not purport to include all the necessary provisions of a contract. Users of British Standards are responsible for their correct application.

Compliance with a British Standard does not of itself confer immunity from legal obligations.

This British Standard, having been prepared under the direction of the Consumer Products and Services Sector Policy and Strategy Committee, was published under the authority of the Standards Policy and Strategy Committee on 18 April 2002

Summary of pages

This document comprises a front cover, an inside front cover, the EN title page, pages 2 to 13 and a back cover.

The BSI copyright date displayed in this document indicates when the document was last issued.

Amendments issued since publication

Amd. No.	Date	Comments
14013 Corrigendum No. 1	26 July 2002	Identifier on pages 5 to 13 amended

© BSI 26 July 2002

ISBN 0 580 39594 4

ICS 55.180.20

English version

Flat pallets for materials handling - Principal dimensions

Palettes plates pour la manutention et le transport de
marchandises - Dimensions principales

Flachpaletten für die Handhabung von Gütern - Hauptmaße

This European Standard was approved by CEN on 15 November 2001.

CEN members are bound to comply with the CEN/CENELEC Internal Regulations which stipulate the conditions for giving this European Standard the status of a national standard without any alteration. Up-to-date lists and bibliographical references concerning such national standards may be obtained on application to the Management Centre or to any CEN member.

This European Standard exists in three official versions (English, French, German). A version in any other language made by translation under the responsibility of a CEN member into its own language and notified to the Management Centre has the same status as the official versions.

CEN members are the national standards bodies of Austria, Belgium, Czech Republic, Denmark, Finland, France, Germany, Greece, Iceland, Ireland, Italy, Luxembourg, Malta, Netherlands, Norway, Portugal, Spain, Sweden, Switzerland and United Kingdom.



EUROPEAN COMMITTEE FOR STANDARDIZATION
COMITÉ EUROPÉEN DE NORMALISATION
EUROPÄISCHES KOMITEE FÜR NORMUNG

Management Centre: rue de Stassart, 36 B-1050 Brussels

Contents

	page
Foreword	3
1 Scope	5
2 Normative references	5
3 Terms and definitions	5
4 Dimensions	5
4.1 Plan dimensions	5
4.2 Vertical dimensions of the entries and openings for lifting devices	6
4.3 Horizontal dimensions of the entries and openings for lifting devices	6
4.4 Profiling of bottom deck members	6
4.5 Dimensions specific to wing pallets	6
4.6 Bearing surface of bottom deck	6
4.7 Squareness	7
4.8 Flatness	7
4.9 Corner chamfer	7
Annex A (normative) Nominal overall dimensions of non-modular sizes	12
A.1 Plan dimensions of non-modular pallets	12
A.2 Alternative plan sizes	12
Bibliography	13

Foreword

This document (EN 13382:2002) has been prepared by Technical Committee CEN /TC 261 "Packaging", the secretariat of which is held by AFNOR.

This European Standard shall be given the status of a national standard, either by publication of an identical text or by endorsement, at the latest by October 2002, and conflicting national standards shall be withdrawn at the latest by October 2002.

According to the CEN/CENELEC Internal Regulations, the national standards organizations of the following countries are bound to implement this European Standard: Austria, Belgium, Czech Republic, Denmark, Finland, France, Germany, Greece, Iceland, Ireland, Italy, Luxembourg, Malta, Netherlands, Norway, Portugal, Spain, Sweden, Switzerland and the United Kingdom.

Annex A is normative.

Introduction

ISO 6780 was primarily written for pallets for through transit only. This European Standard is based upon, but not identical to ISO 6780:1988, "General purpose flat pallets for through transit of goods — Principal dimensions and tolerances", with special changes to suit European handling systems. It is anticipated that these changes will be proposed to ISO/TC 51 for possible adoption in due course. In particular, the entry height changes made to ISO 509, "Pallet trucks — Principal dimensions", assume changes to ISO 6780, including a minimum height of entry of 95 mm.

An increasing number of standardized pallets are used in automatic storage retrieval machines or on automatic production lines, roller conveyers and wrapping devices. The minimum height of access for lifting devices as given in this European Standard may not be sufficient in all circumstances. The dimensional requirements should take into account the requirements for fork lift and hand, pallet trucks, automatic storage retrieval machines and special telescopic fork system requirements. For these systems, the most commonly used pallets are those with 100 mm entry height.

Widening of the scope of this European Standard has necessitated a removal of the normative requirement for stacking up to 4-high allowing for the widespread use of racking systems which permit single or 2-high stacking. The specifier can choose the appropriate level of stacking ability of 2- or 4-high.

With regard to tolerances, this document allows for manufacture from all materials and the need for both a manufacturing and a material movement tolerance.

1 Scope

This European Standard specifies the principal dimensions and tolerances for new single-deck and double-deck non-reversible flat pallets of all entry types related to their transportation and handling by pallet trucks, fork lift trucks and other appropriate equipment.

NOTE Depending on end use and the meeting of tests specified in ISO 8611, such pallets are intended to be stacked:

- a) in store up to 4-high;
- b) in transit up to 2-high.

2 Normative references

This European Standard incorporates by dated or undated reference, provisions from other publications. These normative references are cited at the appropriate places in the text and the publications are listed hereafter. For dated references, subsequent amendments to or revisions of any of these publications apply to this European Standard only when incorporated in it by amendment or revision. For undated references the latest edition of the publication referred to applies (including amendments).

EN ISO 445:1998, *Pallets for materials handling – Vocabulary (ISO 445:1996)*

ISO 3394, *Dimensions of rigid rectangular packages — Transport packages*

ISO 8611, *General-purpose flat pallets for through transit of goods — Test methods*

3 Terms and definitions

For the purposes of this European Standard, the terms and definitions in EN ISO 445:1998 and the following apply.

3.1

through transit

pallet usage cycle which anticipates that the full range of mechanical handling equipment may be applied at some stage of the journey

4 Dimensions

4.1 Plan dimensions

4.1.1 Nominal overall dimensions

The nominal overall plan dimensions of pallets shall be as follows:

- a) commonly used modular sizes based upon plan module (M) specified in ISO 3394 of 600 mm × 400 mm:

800 mm × 1 200 mm ($4M$);

1200 mm × 1 000 mm ($5M$);

1000 mm × 1 200 mm ($5M$);

- b) other modular sizes:

800 mm × 600 mm ($2M$)

1200 mm × 1 200 mm ($6M$)

- c) non-modular sizes:

see annex A.

4.1.2 Stringer or the stringerboard dimensions

The stringer or the stringerboard dimension is the pallet length and the length (L) is always quoted first in designating plan size. For pallets without stringers the longest dimension is the length.

4.1.3 Moisture content and temperature

With sawn timber the dimensions stated relate to measurement at an average moisture content of $(20 \pm 2) \%$. For plastics, dimensions are measured at a temperature of $(23 \pm 2) ^\circ\text{C}$.

EN 13382:2001 (E)

4.1.4 Tolerances

The tolerances on the nominal overall plan dimensions given in 4.1.1 shall be ± 3 mm or $\pm 0,4$ %, whichever is the greater.

4.2 Vertical dimensions of the entries and openings for lifting devices

4.2.1 Vertical entry apertures

The vertical entry apertures for the forks of fork lift trucks and the fingers of pallet trucks shall be not less than 95 mm high (see Figure 1).

NOTE For the pallets used in automatic storage and automatically driven conveyors, a minimum entry height of 100 mm is recommended.

4.2.2 Distance from the underside of the lowest element of the top deck to the ground

The distance from the underside of the lowest element of the top deck to the ground shall not exceed 156 mm for pallets of all designs [see Figure 1c)]. If notches for the forks of fork lift trucks are provided, the distance from the top of the notch to the ground shall be not less than 55 mm (see Figure 3).

4.3 Horizontal dimensions of the entries and openings for lifting devices

4.3.1 Board arrangement and horizontal dimensions

The arrangements and horizontal dimensions of the entries for the forks of fork lift trucks and the fingers of pallet trucks shall be as shown in Figure 4 and as specified in Table 1.

4.3.2 Board arrangements and dimensions of the openings in the bottom deck of pallets

The arrangements and the dimensions of the openings in the bottom deck of pallets to allow the use of pallet trucks shall be as shown in Figure 4 and as specified in Table 1.

4.3.3 Centre blocks/stringers

Centre blocks/stringers shall be positioned within ± 4 mm of the pallet centre line. For pallets with two or more intermediate stringers or rows of blocks the centre of the stringers or blocks shall be positioned within ± 4 mm of their nominal position.

4.4 Profiling of bottom deck members

To facilitate entry of the finger-wheels of a pallet truck, the thickness of the members of the bottom deck of a pallet shall not exceed 28 mm. If the thickness exceeds 16 mm, the leading and trailing edges of the members of the bottom deck shall be chamfered on each side of the top face as follows:

- a) the angle between the chamfered face and the horizontal shall be maximum 50° , as shown in Figure 2a);
- b) the height of the vertical face of the member shall not exceed 16 mm, as shown in Figure 2a).

Pallets not intended to be used for through transit are exempt from requirements for profiling.

NOTE To aid the use of trucks when using the minimum (95 mm) entry height in 2-way entry pallets, stop chamfers should be considered (see Figure 2).

4.5 Dimensions specific to wing pallets

Any projection of 65 mm or greater shall be defined as a wing and therefore subject to the specific performance requirements for wing pallets given in ISO 8611, however, the overall (deck) sizes shall fall within the sizes given in 4.1.

NOTE The nominal dimensions of the wing pallet are the overall dimensions, however dimensions of the base apertures, entries and openings, are determined by the base plan dimensions.

4.6 Bearing surface of bottom deck

4.6.1 Double-deck pallets

For double-deck pallets for stacking, the bearing surface of the element or elements of the bottom deck in contact with the payload directly below or with the ground shall be equal to or greater than 35 % of the nominal overall plan area.

NOTE This value should be regarded as the absolute minimum and should be increased wherever practicable.

This value is for solid plane area; where plastic or steel pallets employ a non-continuous or mesh design in the bottom bearing surface elements they shall have a minimum 1:3, ratio of contact: plane surface area.

4.6.2 Stacking

Single-deck pallets shall not be stacked.

4.7 Squareness

At the time of manufacture, the difference in length of the two plan diagonals shall not exceed 1 % of the nominal diagonal length.

4.8 Flatness

At the time of manufacture no part of the top deck shall deviate more than 7 mm out of plane at the six measurement positions of Figure 5.

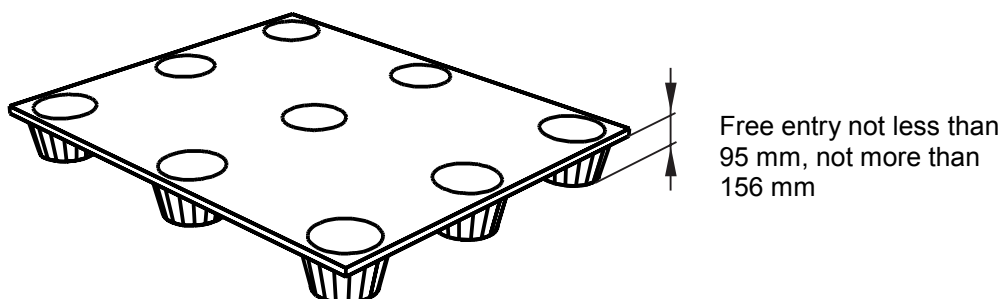
4.9 Corner chamfer

Where a vertical chamfer is required on the corners of the pallet, it shall be at $45^\circ \pm 5^\circ$ with a face width of 10 mm minimum, as shown in Figure 2b). Alternatively, if corner chamfers are rounded, the radius shall be 10 mm minimum.

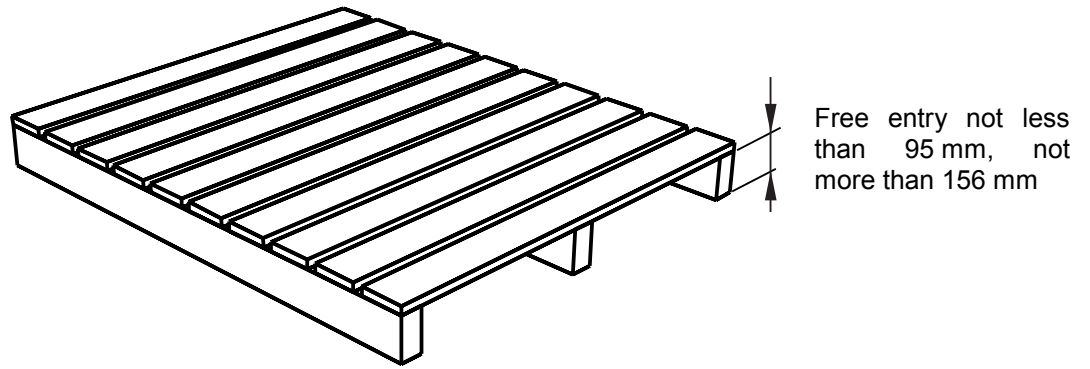
Table 1 — Horizontal dimensions of entries and bottom deck openings for two-way and four-way pallets (see figure 4) permitting the use of standardised pallet trucks with single or tandem trail wheels

Nominal dimension of pallet	Entries and openings	
	L_1 and W_1	L_2 and W_2
L or W	max.	min.
600	160	580
800	160	580
1 000	160	710
1 100	160	710
1 140	160	710
1 200	160	710
1 300	160	710

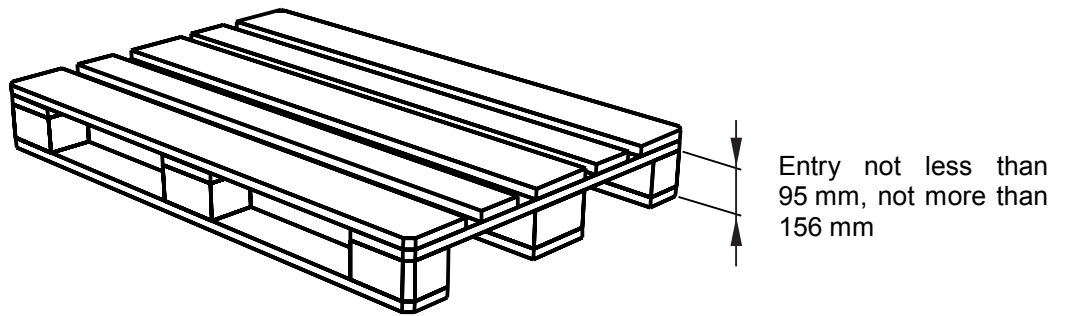
NOTE $W = 600$ and $W_2 = 580$ apply to pressed sheet steel blocks.



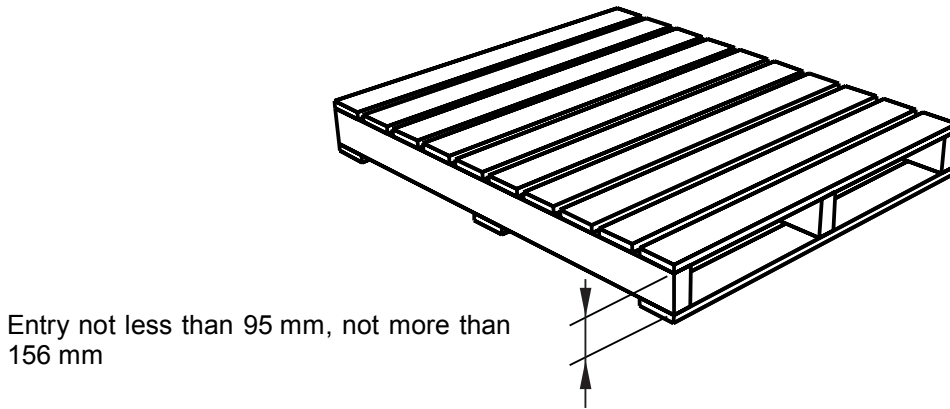
1a) 4-way pallet with free entries



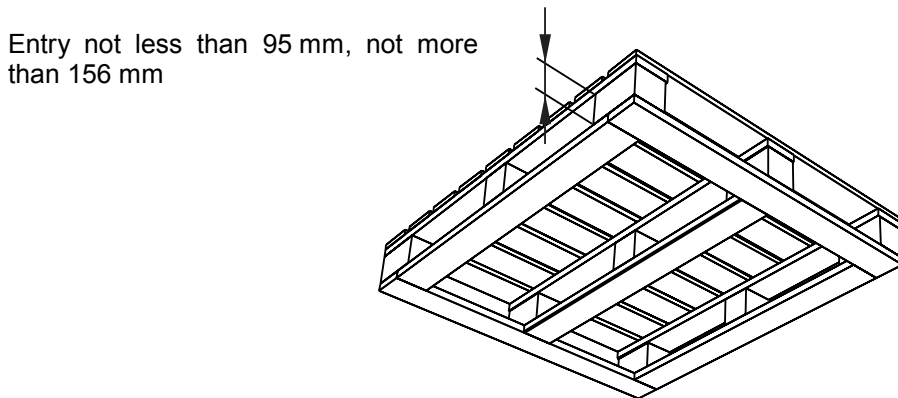
1b) 2-way pallet with free entries



1c) 4-way pallet with two free entries



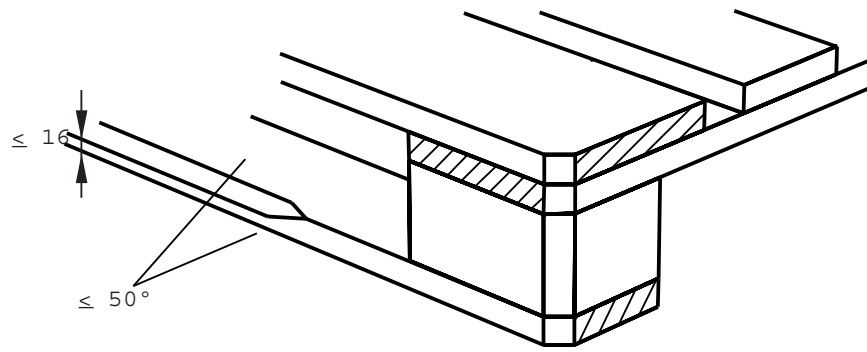
1d) 2-way pallet



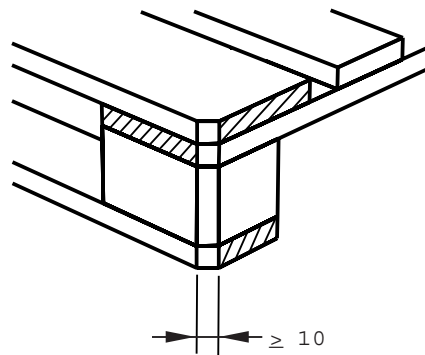
1e) perimeter base pallet

Figure 1 — Typical two-way and four-way pallet designs illustrating vertical dimensions

Dimensions in millimetres



2a) Bottom board edge stop-chamfer detail



2b) Corner chamfer detail

Figure 2 — Chamfer details

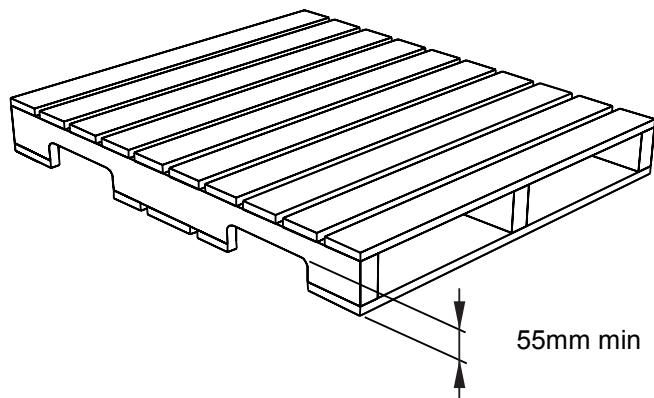
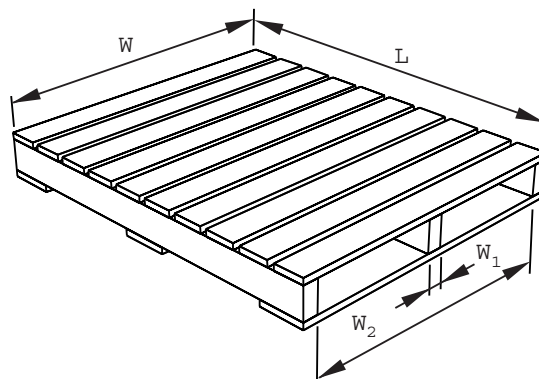
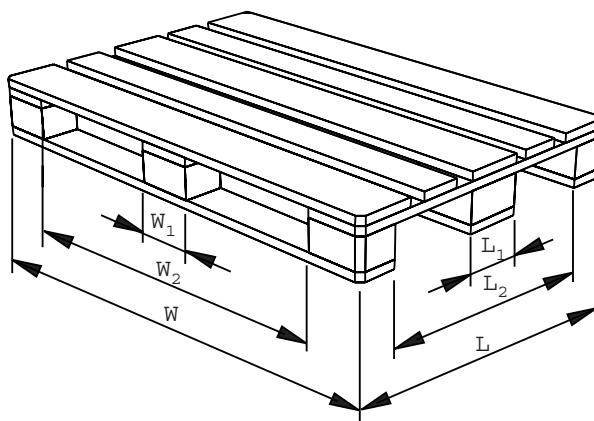


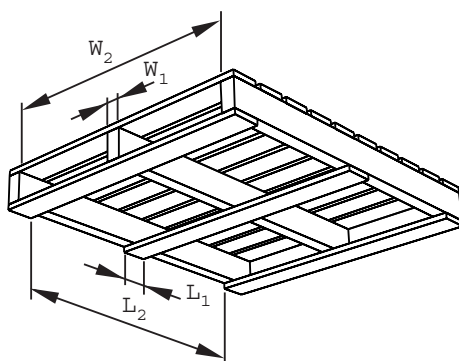
Figure 3 — Partial four-way pallet illustrating minimum vertical dimensions



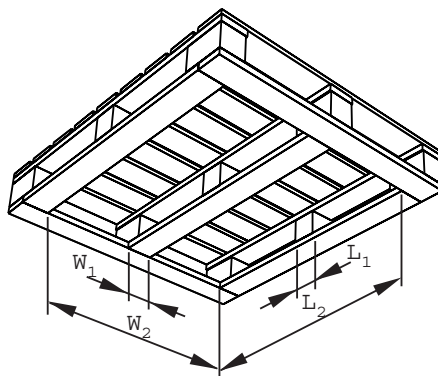
4a) Entries: two-way



4b) Entries: four-way

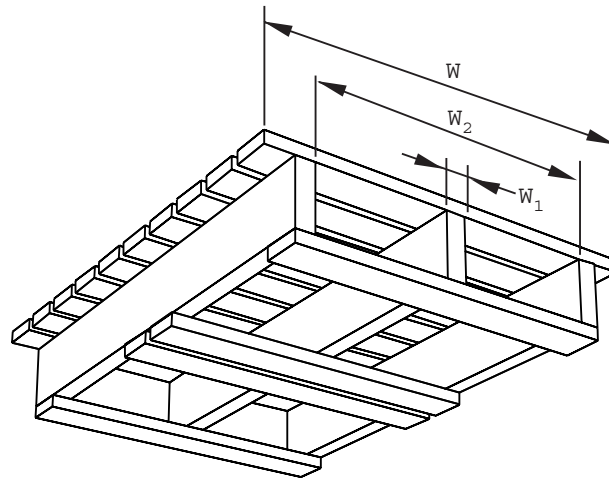


4c) Openings: two-way

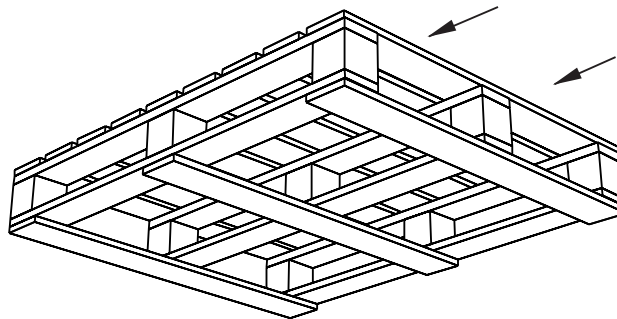


4d) Openings: four-way

© 2001 British Standards Institution



4e) Entries: two-way



4f) Entries: partial 4-way block type pallet with pallet truck access from arrowed direction only

Figure 4 — Horizontal dimensions of entries and bottom deck openings for two-way, four-way and partial four-way pallets (see Table 1)

Dimensions in millimetres

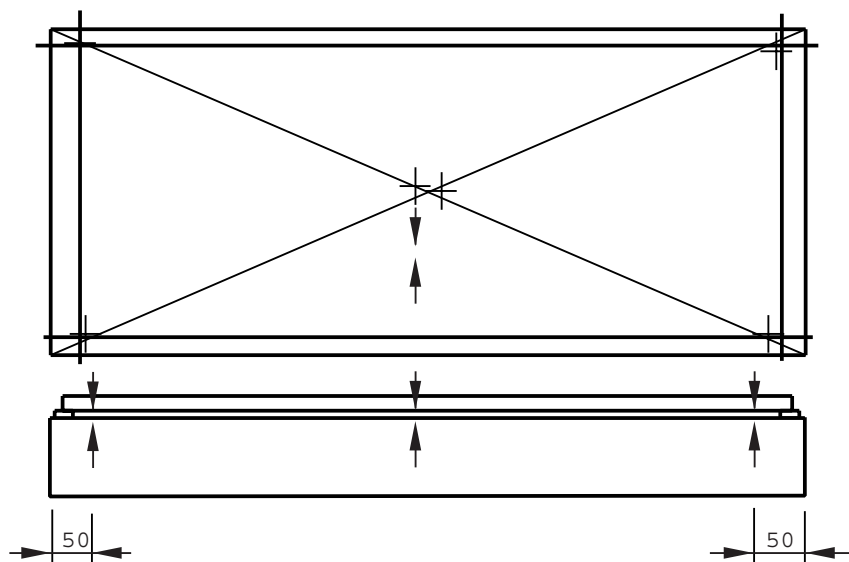


Figure 5 — Flatness measurement

Annex A (normative)

Nominal overall dimensions of non-modular sizes

A.1 Plan dimensions of non-modular pallets

The nominal overall plan dimensions of pallets not conforming to module (M) given in 4.1.1 shall be as follows:

non-modular sizes: 1 140 mm × 1 140 mm;
 1 100 mm × 1 300 mm.

The tolerances, entry height and other characteristics shall meet the specifications given in 4.1.2 to 4.9.

A.2 Alternative plan sizes

Alternative plan sizes other than those listed above are permitted only if fork entry height and other handling facilitating dimensions meet those specified in this standard, including all those given in 4.2 to 4.9.

NOTE 1 Use of non-standard pallet plan sizes is for negotiation between user and recipient, but should be discouraged unless significant transit difficulties would otherwise arise from use of the standard pallet range given in 4.1.1a) and b).

NOTE 2 The stringer or the stringerboard dimension is the pallet length and the length is always quoted first in designating plan size. For pallets without stringers the longest dimension is the length.

NOTE 3 With sawn timber the dimensions stated relate to measurement at an average moisture content of (20 ± 2) %. For plastics, dimensions are measured at a temperature of (23 ± 2) °C.

Bibliography

ISO 509, *Pallet trucks - Principal dimensions*

ISO 3676, *Packaging — Unit load sizes — Dimensions*

© 2001 Bureau Veritas

BSI — British Standards Institution

BSI is the independent national body responsible for preparing British Standards. It presents the UK view on standards in Europe and at the international level. It is incorporated by Royal Charter.

Revisions

British Standards are updated by amendment or revision. Users of British Standards should make sure that they possess the latest amendments or editions.

It is the constant aim of BSI to improve the quality of our products and services. We would be grateful if anyone finding an inaccuracy or ambiguity while using this British Standard would inform the Secretary of the technical committee responsible, the identity of which can be found on the inside front cover.
Tel: +44 (0)20 8996 9000. Fax: +44 (0)20 8996 7400.

BSI offers members an individual updating service called PLUS which ensures that subscribers automatically receive the latest editions of standards.

Buying standards

Orders for all BSI, international and foreign standards publications should be addressed to Customer Services. Tel: +44 (0)20 8996 9001.
Fax: +44 (0)20 8996 7001. Email: orders@bsi-global.com. Standards are also available from the BSI website at <http://www.bsi-global.com>.

In response to orders for international standards, it is BSI policy to supply the BSI implementation of those that have been published as British Standards, unless otherwise requested.

Information on standards

BSI provides a wide range of information on national, European and international standards through its Library and its Technical Help to Exporters Service. Various BSI electronic information services are also available which give details on all its products and services. Contact the Information Centre.
Tel: +44 (0)20 8996 7111. Fax: +44 (0)20 8996 7048. Email: info@bsi-global.com.

Subscribing members of BSI are kept up to date with standards developments and receive substantial discounts on the purchase price of standards. For details of these and other benefits contact Membership Administration.
Tel: +44 (0)20 8996 7002. Fax: +44 (0)20 8996 7001.
Email: membership@bsi-global.com.

Information regarding online access to British Standards via British Standards Online can be found at <http://www.bsi-global.com/bsonline>.

Further information about BSI is available on the BSI website at <http://www.bsi-global.com>.

Copyright

Copyright subsists in all BSI publications. BSI also holds the copyright, in the UK, of the publications of the international standardization bodies. Except as permitted under the Copyright, Designs and Patents Act 1988 no extract may be reproduced, stored in a retrieval system or transmitted in any form or by any means – electronic, photocopying, recording or otherwise – without prior written permission from BSI.

This does not preclude the free use, in the course of implementing the standard, of necessary details such as symbols, and size, type or grade designations. If these details are to be used for any other purpose than implementation then the prior written permission of BSI must be obtained.

Details and advice can be obtained from the Copyright & Licensing Manager.
Tel: +44 (0)20 8996 7070. Fax: +44 (0)20 8996 7553.
Email: copyright@bsi-global.com.

BSI
389 Chiswick High Road
London
W4 4AL