

# Protective equipment for martial arts —

## Part 5: Additional requirements and test methods for genital protectors and abdominal protectors

The European Standard EN 13277-5:2002 has the status of a  
British Standard

ICS 13.340.10; 97.220.30

## National foreword

This British Standard is the official English language version of EN 13277-5:2002.

The UK participation in its preparation was entrusted by Technical Committee PH/3, Protective clothing, to Subcommittee PH/3/11, Protective equipment for sports players, which has the responsibility to:

- aid enquirers to understand the text;
- present to the responsible European committee any enquiries on the interpretation, or proposals for change, and keep the UK interests informed;
- monitor related international and European developments and promulgate them in the UK.

A list of organizations represented on this subcommittee can be obtained on request to its secretary.

### Cross-references

The British Standards which implement international or European publications referred to in this document may be found in the BSI Standards Catalogue under the section entitled “International Standards Correspondence Index”, or by using the “Find” facility of the BSI Standards Electronic Catalogue.

A British Standard does not purport to include all the necessary provisions of a contract. Users of British Standards are responsible for their correct application.

**Compliance with a British Standard does not of itself confer immunity from legal obligations.**

This British Standard, having been prepared under the direction of the Health and Environment Sector Policy and Strategy Committee, was published under the authority of the Standards Policy and Strategy Committee on 27 February 2002

### Summary of pages

This document comprises a front cover, an inside front cover, the EN title page, pages 2 to 15 and a back cover.

The BSI copyright date displayed in this document indicates when the document was last issued.

### Amendments issued since publication

Amd. No.	Date	Comments

ICS 13.340.10

English version

**Protective equipment for martial arts - Part 5: Additional requirements and test methods for genital protectors and abdominal protectors**

Équipement de protection pour les arts martiaux - Partie 5:  
Exigences et méthodes d'essai complémentaires relatives  
aux coquilles et aux protections abdominales

Schutzausrüstung für den Kampfsport - Teil 5: Zusätzliche  
Anforderungen und Prüfverfahren für den Genital- und  
Unterleibschutz

This European Standard was approved by CEN on 28 December 2001.

CEN members are bound to comply with the CEN/CENELEC Internal Regulations which stipulate the conditions for giving this European Standard the status of a national standard without any alteration. Up-to-date lists and bibliographical references concerning such national standards may be obtained on application to the Management Centre or to any CEN member.

This European Standard exists in three official versions (English, French, German). A version in any other language made by translation under the responsibility of a CEN member into its own language and notified to the Management Centre has the same status as the official versions.

CEN members are the national standards bodies of Austria, Belgium, Czech Republic, Denmark, Finland, France, Germany, Greece, Iceland, Ireland, Italy, Luxembourg, Malta, Netherlands, Norway, Portugal, Spain, Sweden, Switzerland and United Kingdom.



EUROPEAN COMMITTEE FOR STANDARDIZATION  
COMITÉ EUROPÉEN DE NORMALISATION  
EUROPÄISCHES KOMITEE FÜR NORMUNG

**Management Centre: rue de Stassart, 36 B-1050 Brussels**

## Contents

	page
Foreword.....	3
1 <b>Scope</b> .....	4
2 <b>Normative references</b> .....	4
3 <b>Terms and definitions</b> .....	4
4 <b>Requirements</b> .....	4
5 <b>Test methods</b> .....	8
6 <b>Marking</b> .....	14
7 <b>Information supplied by the manufacturer</b> .....	14
<b>Annex ZA (informative) Clauses of this European Standard addressing essential requirements or other provisions of EU Directives</b> .....	<b>15</b>

## Foreword

This European Standard has been prepared by Technical Committee CEN/TC 162 "Protective clothing including hand and arm protection and lifejackets", the secretariat of which is held by DIN.

This European Standard shall be given the status of a national standard, either by publication of an identical text or by endorsement, at the latest by July 2002, and conflicting national standards shall be withdrawn at the latest by July 2002.

It is the fifth part of a series covering requirements for protective equipment used in martial arts. Part 1 deals with general requirements and test methods and the other parts deal with specific areas of the body.

Part 1: General requirements and test methods.

Part 2: Additional requirements and test methods for instep protectors, shin protectors and forearm protectors.

Part 3: Additional requirements and test methods for trunk protectors.

Part 4: Additional requirements and test methods for head protectors.

Part 5: Additional requirements and test methods for genital protectors and abdominal protectors.

Part 6: Additional requirements and test methods for breast protectors for females.

This European Standard has been prepared under a mandate given to CEN by the European Commission and the European Free Trade Association, and supports essential requirements of EU Directive(s).

For relationship with EU Directive(s), see informative Annex ZA, which is an integral part of this standard.

According to the CEN/CENELEC Internal Regulations, the national standards organizations of the following countries are bound to implement this European Standard: Austria, Belgium, Czech Republic, Denmark, Finland, France, Germany, Greece, Iceland, Ireland, Italy, Luxembourg, Malta, Netherlands, Norway, Portugal, Spain, Sweden, Switzerland and the United Kingdom.

## 1 Scope

This European Standard specifies additional requirements and test methods for genital protectors and abdominal protectors used in unarmed martial arts such as Taekwondo, Karate, Kick-Boxing and similar disciplines.

## 2 Normative references

This European Standard incorporates by dated or undated reference provisions from other publications. These normative references are cited at the appropriate places in the text and the publications are listed hereafter. For dated references, subsequent amendments to or revisions of any of these publications apply to this standard only when incorporated in it by amendment or revision. For undated references, the latest edition of the publication referred to applies (including amendments).

EN 13277-1:2000, *Protective equipment for martial arts — Part 1: General requirements and test methods*.

## 3 Terms and definitions

For the purposes of this European Standard, the terms and definitions given in EN 13277-1 and the following apply.

### 3.1

#### **genital protector**

device worn to protect genitalia from impacts.

### 3.2

#### **abdominal protector**

device worn to protect the abdomen below the waist from impacts.

## 4 Requirements

### 4.1 General

The general requirements for genital protectors and abdominal protectors shall be the same as those given in EN 13277-1.

Edges of hard materials shall be covered with soft padding materials.

Genital protectors for females shall be so designed that they adapt to the body shape of the wearer.

Abdominal protectors and genital protectors may be used as a single piece or in combination (see 4.4).

### 4.2 Sizing

#### 4.2.1 Genital protectors for females and males

A sizing system shall be used to define genital protectors as small (S), medium (M), large (L) or extra large (XL). If additional sizes are available, their size declaration shall be related to this sizing system.

#### 4.2.2 Abdominal protectors for females and males

Abdominal protectors shall be sized in relation of the size of the users in accordance with Table 1.

Table 1 — Sizing of abdominal protectors in relation to the size of the user

Dimensions in centimetres

Size	Body height	
	females	males
S	< 152	< 164
M	152 to 164	164 to 176
L	164 to 176	176 to 188
XL	> 176	> 188

Dimensions shall be graded linearly in case of additional sizes.

### 4.3 Zone of protection

#### 4.3.1 Genital protectors

##### 4.3.1.1 Genital protectors for females

The dimensions of the zone of protection of genital protectors for females shall be as given in Figure 1 and Table 2. Dimensions shall be graded linearly in case of additional sizes.

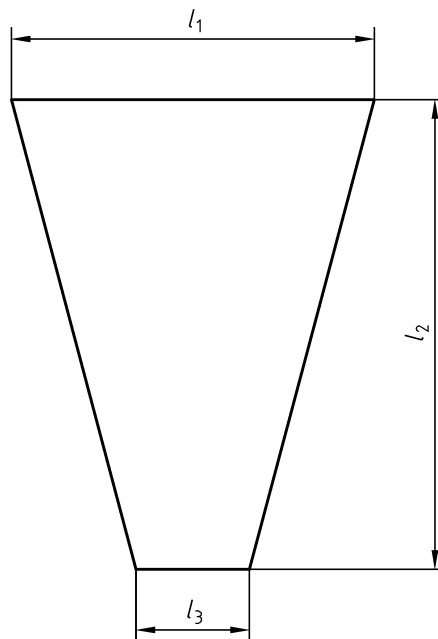


Figure 1 — Zone of protection of genital protectors for females

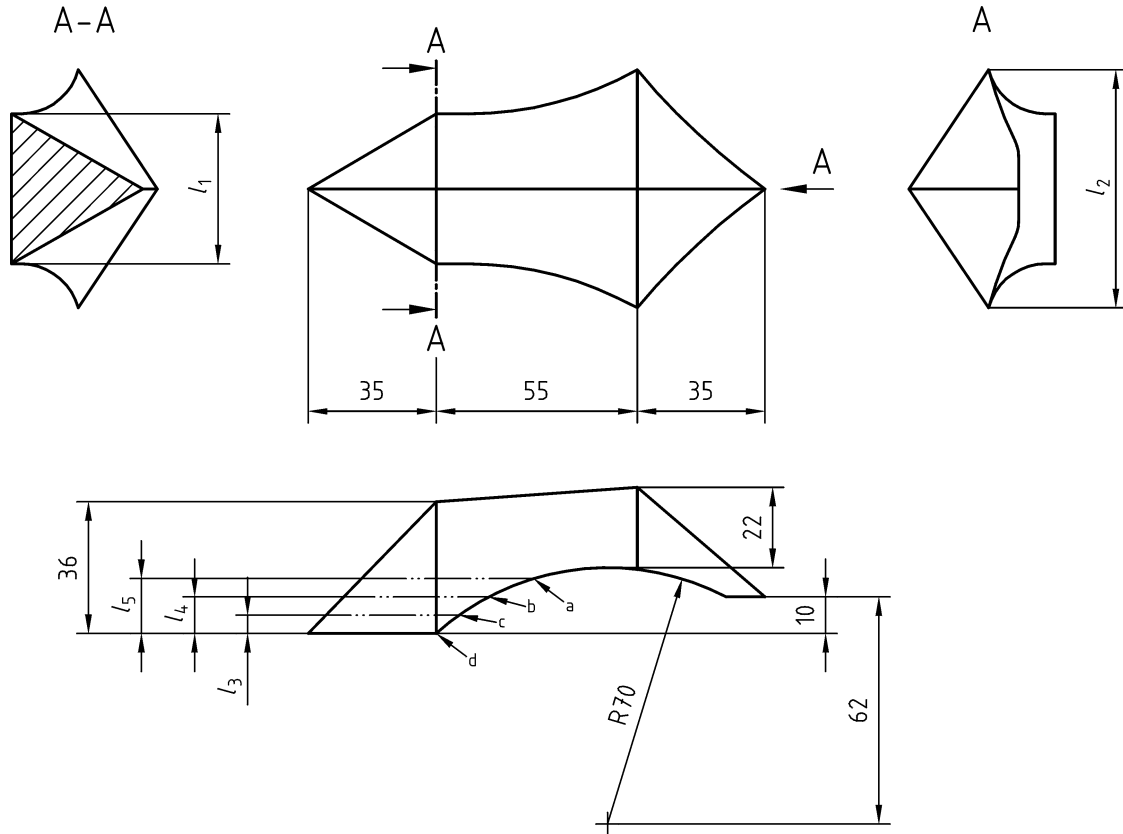
Table 2 — Dimensions of the zone of protection of genital protectors for females

Dimensions in millimetres

Size	$l_1$ min.	$l_2$ min.	$l_3$ min.
S	25	150	15
M	35	170	19
L	45	190	23
XL	55	210	27

4.3.1.2 Genital protectors for males

The minimum volume protected by the genital protector shall be as given in Figure 2 and Table 3. Dimensions shall be graded linearly in case of additional sizes.



Key

- a = size S
- b = size M
- c = size L
- d = size XL

Figure 2 — Minimum volume protected by the genital protectors for males

Table 3 — Dimensions of the minimum volume protected by of genital protectors for males

Dimensions in millimetres

Size	$l_1$	$l_2$	$l_3$	$l_4$	$l_5$
S	30	52	—	—	15
M	34	55	—	10	—
L	38	61	5	—	—
XL	41	65	—	—	—



## 4.3.2 Abdominal protectors

### 4.3.2.1 General

Abdominal protectors shall have a zone of protection covering the abdominal surface.

If an abdominal protector is continuous with a compatible genital protector no gap shall exist between the zone of protection of both protectors.

### 4.3.2.2 Dimensions

The dimensions for the zone of protection of abdominal protectors shall be as given in Figure 3 and Table 4. Dimensions shall be graded linearly in case of additional sizes.

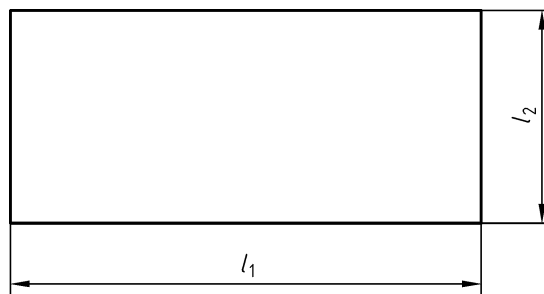


Figure 3 — Zone of protection of abdominal protectors

Table 4 — Dimensions for abdominal protectors

Dimensions in millimetres

Size	$l_1$ minimum	$l_2$ minimum
S	230	55
M	250	60
L	270	65
XL	290	70

## 4.4 Combinations

If combined use is allowed, the requirements specified for the individual protectors shall also apply.

If combined use is not intended by the manufacturer, this restriction shall be clearly indicated in the Information supplied by the manufacturer.

Possible combinations shall be indicated in the Information supplied by the manufacturer.

## 4.5 Restraint

A restraint system shall be supplied by the manufacturer which enables the user to attach genital protectors and abdominal protectors without any assistance.

The restraint system shall meet the requirements defined in 4.3 of EN 13277-1:2000.

For genital protectors for males the third paragraph of 4.3 of EN 13277-1:2000 does not apply. After each individual test, the displacement of genital protectors for males from their original position shall be less than 20 mm.

## **4.6 Impact performance**

### **4.6.1 Genital protectors for females and abdominal protectors for females and males**

Genital protectors for females and abdominal protectors for females and males conform to this standard if the maximum peak force is below 3 kN when tested in accordance with 5.6.1.

### **4.6.2 Genital protectors for males**

Genital protectors for males conform to this standard if they meet the following requirements when tested in accordance with 5.6.2:

- a) No part of the genital protector shall break or split.
- b) The plasticine cylinder used for testing shall not be deformed more than 2 mm after contacting the genital protector.
- c) The maximum peak force is below 3 kN.

## **5 Test methods**

### **5.1 General**

If no special test methods are specified, the requirements of this European Standard are to be tested by measurement, visual inspection, tactile examination etc.

For the tests new, unused protectorer shall be used.

### **5.2 Sampling**

Sampling shall be carried out in accordance with 5.1 of EN 13277-1:2000.

### **5.3 Conditioning**

Conditioning is carried out in accordance with 5.2 of EN 13277-1:2000.

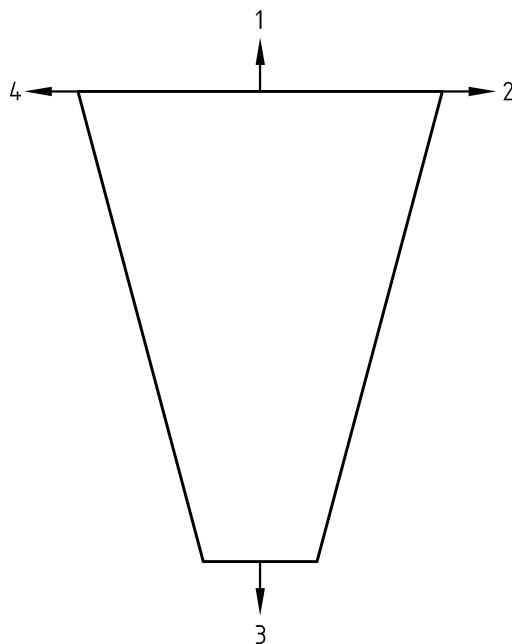
### **5.4 Restraint**

Restraint testing of genital protectors and abdominal protectors for females and males shall be carried out as defined in 5.4 of EN 13277-1:2000. When testing the restraint the protector(s) shall be attached to the body of a test person or a dummy.

The test force to be applied in any test position and test direction shall be 20 N.

Test positions shall always be as close as possible on the limits of the zone of protection. They are defined in Figures 4, 5 and 6.

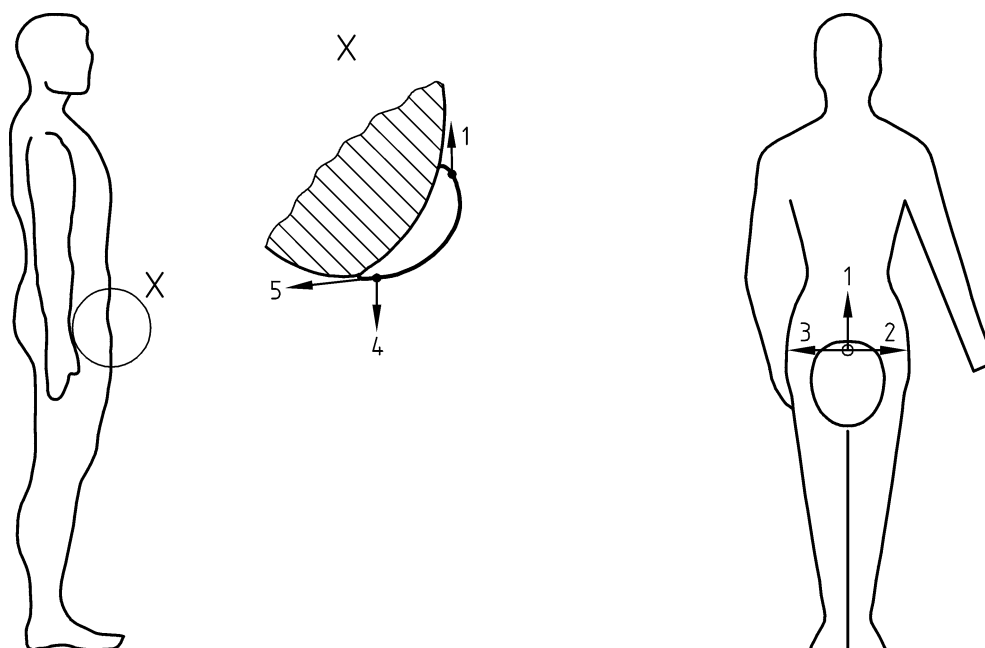
Test directions shall be as shown by arrows in Figures 4, 5 and 6. They shall be tangential to the surface of the body of the test person.



**Key**

1 to 4 Order of the test directions

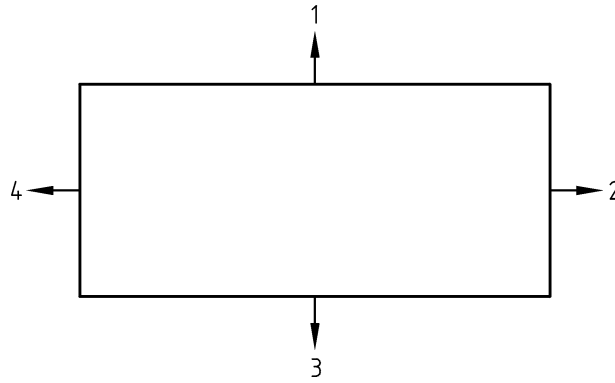
**Figure 4 — Test positions and test directions at genital protectors for females**



**Key**

1 to 5 Order of the test directions

**Figure 5 — Test positions and directions at genital protectors for males**



**Key**

1 to 4 Order of the test directions

**Figure 6 — Test positions and test directions at abdominal protectors for females and males**

If a genital protector and an abdominal protector are inseparably connected, both shall be attached in accordance with the Information supplied by the manufacturer.

**5.5 Zone of protection**

**5.5.1 Genital protectors for females and abdominal protectors for females and males**

To measure the zone of protection the protector shall be placed flat.

When tested according to EN 13277-1:2000, 5.5, the template shall be placed on the inside of the protector within the zone of protection.

**5.5.2 Genital protectors for males**

The minimum volume protected by the genital protector (see 4.3.2) shall be tested using a gauge. The shape and the dimensions of the gauge shall be identical with the values specified in Figure 2 and Table 3.

The gauge shall be placed into the inside of the genital protector within the zone of protection.

It shall be inspected if all parts of the gauge are completely within the zone of protection.

**5.6 Impact performance**

**5.6.1 Genital protectors for females and abdominal protectors for females and males**

**5.6.1.1 Apparatus**

The principle of impact testing is shown in Figure 7.

A flat horizontal steel plate with a width of at least 300 mm, a length of at least 350 mm and a thickness of at least 20 mm shall be used as a support of the sample. In the centre of the flat plate there shall be a cylindrical hole with a diameter of  $(106 \pm 2)$  mm.

A cylindrical anvil with a diameter of  $(100 \pm 2)$  mm, a thickness of at least 20 mm with a flat upper surface shall be mounted on a load cell.

The surface of the anvil facing the striker shall be in level with the surface of the flat plate with a tolerance of  $\pm 1$  mm.

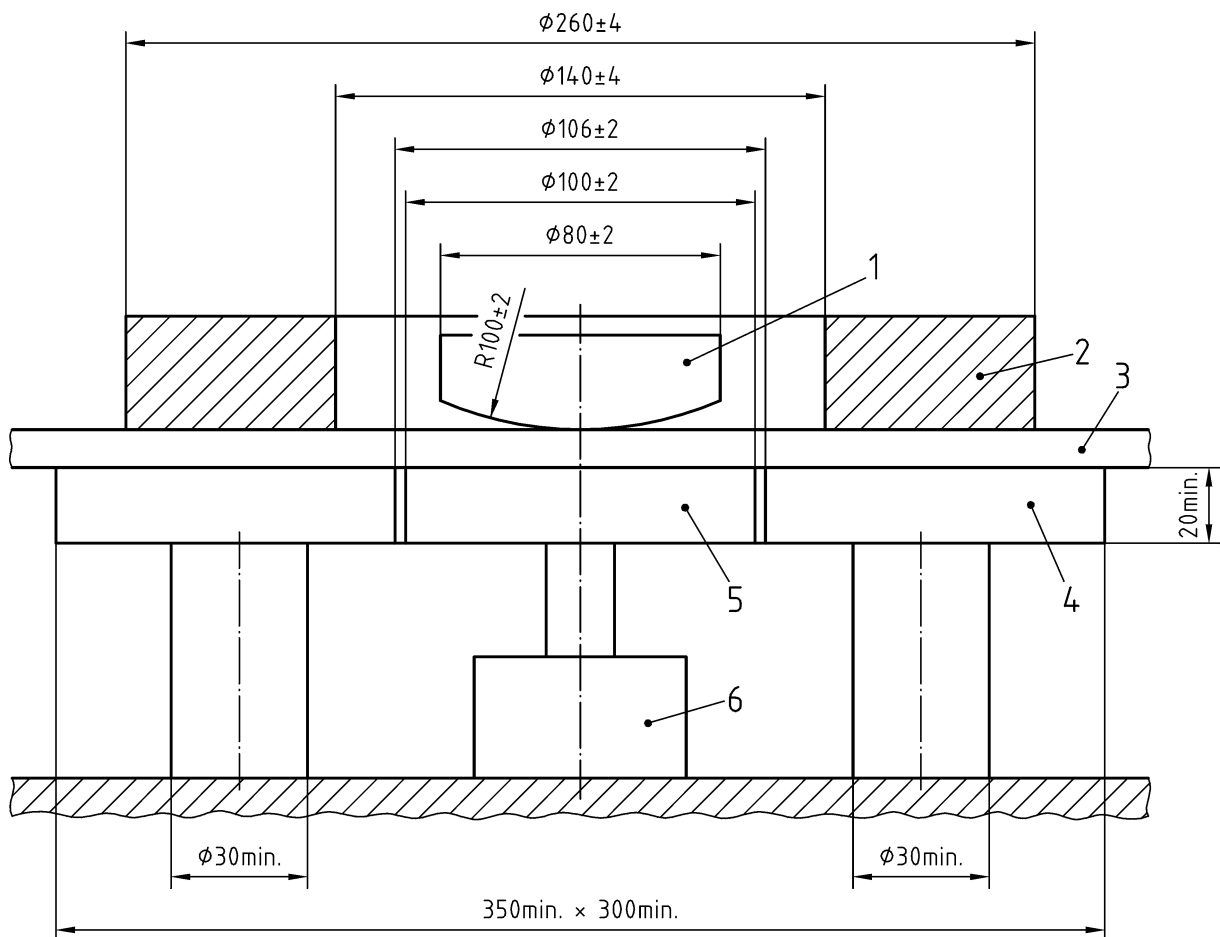
A compression ring made of steel with a mass of  $(10 \pm 0,1)$  kg,  $(140 \pm 4)$  mm internal and  $(260 \pm 4)$  mm external diameter shall be used to fix the sample to the support.

The striker shall be able to fall freely in the vertical axis of the anvil with a tolerance of  $\pm 2$  mm. The striker shall be guided in such a way, that it will always reach at least 95 % of the freefall velocity. A means of measuring the velocity of the striker at the point of impact shall be provided.

To measure the maximum peak force an electric measurement device with the following characteristics shall be used:

- Measurement frequency: minimum 2 000 Hz
- Accuracy class of the load cell: 0,2
- Maximum load: 10 kN

Dimensions in millimetres



#### Key

- 1 Striker
- 2 Compression ring
- 3 Genital or abdominal protector
- 4 Steel plate
- 5 Anvil
- 6 Load cell

**Figure 7 — Principle of impact testing of genital protectors for females and abdominal protectors for females and males**

**5.6.1.2 Procedure**

The genital or abdominal protector shall be placed on the flat support so that the test positions to be tested shall be above the centre of the anvil and shall be fixed with the compression ring.

The compressing ring shall be placed flat so that the anvil is situated in the centre of the ring with a tolerance of  $\pm 5$  mm.

The genital or abdominal protector shall be moved on the support in order to reach every test position to be tested.

The gap between the genital or abdominal protector and the compression ring shall be filled with parts of the same type of the protector in such a way that the compression ring is placed horizontally.

The parts of the genital or abdominal protector used for filling shall be placed in such a way that they are not within a radius of 40 mm around the striker axis.

Three impacts with an energy of 3 J shall be carried out on each of two test positions with an interval of  $2 \text{ min} \pm 15 \text{ s}$  between impacts.

The test positions shall be so selected to include the positions on the genital or abdominal protector where the worst test results are assumed to be likely.

No other position previously tested shall be within a circle of 80 mm around the test position to be tested. If positions are selected to be impacted less than 80 mm distant from each other, at least two protectors of the same type shall be selected for impact testing.

**5.6.2 Genital protectors for males**

**5.6.2.1 Apparatus**

The principle of impact testing is shown in Figure 8.

The steel anvil shall be placed vertically on the top of a load cell. That anvil is also used as a support for the sample.

A plasticine cylinder with dimensions specified in Table 5 shall be positioned vertically and centered to the cylindrical surface of the anvil as well as to the the striker axis with a tolerance of  $\pm 2$  mm.

**Table 5 — Dimensions of the plasticine cylinder**

Dimensions in millimetres

Dimension	Size of the genital protector			
	S	M	L	XL
Height	$15 \pm 1$	$17 \pm 1$	$19 \pm 1$	$21 \pm 1$
Diameter	$18 \pm 2$			

The sample shall be positioned on the top of the anvil and fixed by four connected straps with a space in the centre exposing the impact site. Each strap shall be loaded with a force of 25 N.

The striker shall fall free vertically. It shall be guided in such a way that it will always reach at least 95 % of the theoretical velocity at the point of impact to the sample. A means of measuring the velocity of the striker at the point of impact shall be provided.

To measure the maximum peak force an electronic measurement device with the following characteristics shall be used:

- measurement frequency: minimum 2 000 Hz.
- Exactness class of the load cell: 0,2
- Maximum load: 10 kN

#### 5.6.2.2 Procedure

Three impacts with an energy of 2 J shall be executed on each of the two test positions with an interval of 2 min  $\pm$  15 s between impacts. After each impact, the positioning of the sample shall be controlled and corrected, if necessary.

To find the test positions for impact testing determine the area, where the protector bears in normal use when properly attached on the pubic bones. Mark the bearing area by two marks 50 mm distant from each other. The test position shall be selected between these two marks and within the vertical symmetrical plane of the protector with a tolerance of  $\pm$  2 mm.

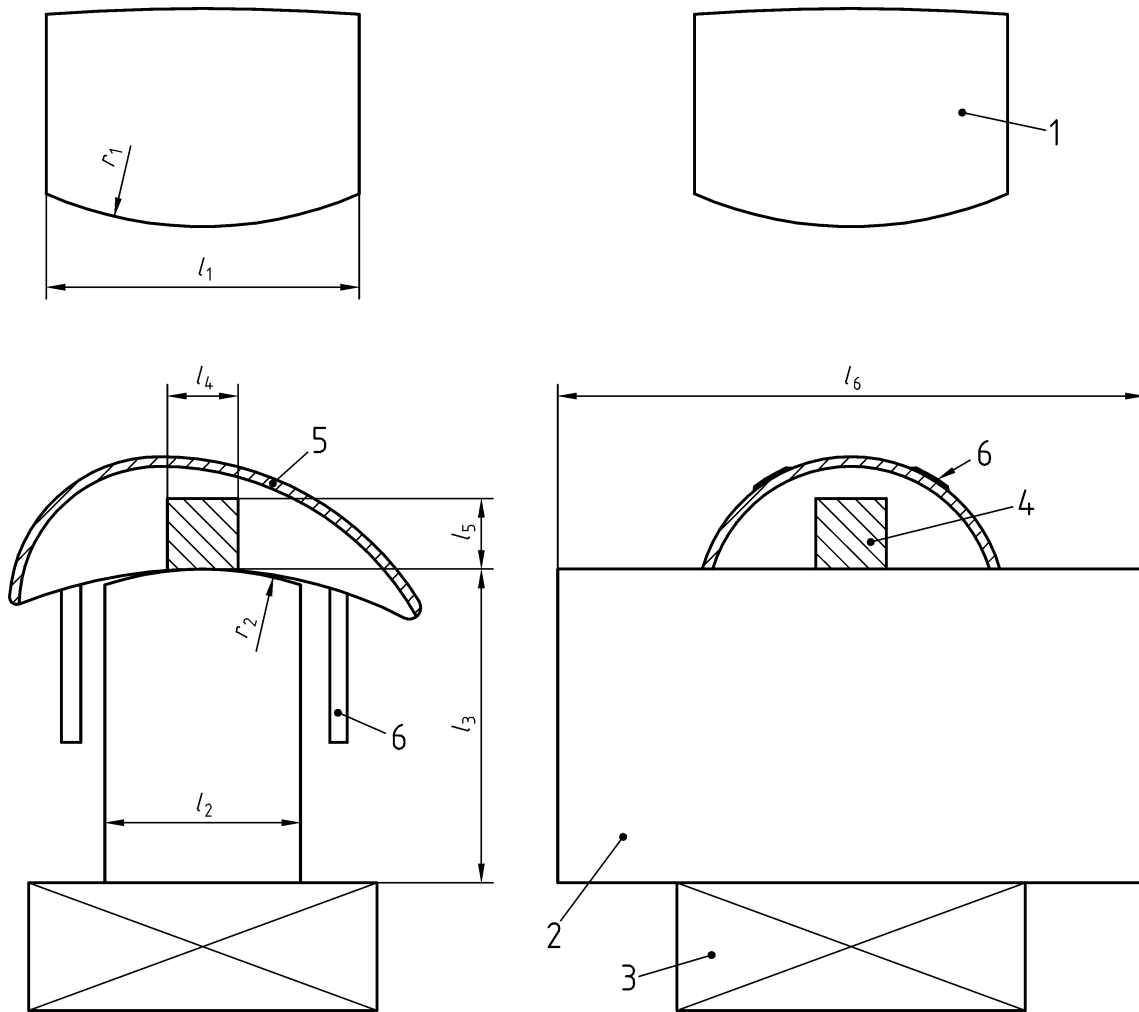
For each test a plasticine cylinder shall be placed onto the anvil within the striker axis.

The genital protector shall be placed onto the anvil so that the symmetric axis of the protector is perpendicular to the long axis of the anvil and that the position to be tested is within the striker axis with a tolerance of  $\pm$  2 mm.

The straps shall press the sample down onto the anvil.

After the third impact, the genital protector shall be removed from the apparatus. It shall be inspected for damages. The plasticine cylinder shall be inspected for deviations of more than 2 mm from its original shape.

For testing each of the test positions new unused genital protectors shall be taken.



**Key**

- 1 Striker
- 2 Anvil
- 3 Load cell
- 4 Plasticine cylinder
- 5 Genital protector
- 6 Strap

- $r_1$  (100 ± 2) mm
- $r_2$  (80 ± 2) mm
- $l_1$  (80 ± 2) mm
- $l_2$  (50 ± 2) mm
- $l_3$  (80 ± 2) mm
- $l_4$  (18 ± 2) mm
- $l_5$  according to Table 5
- $l_6$  (150 ± 5) mm

**Figure 8 — Principle of impact testing of genital protectors for males**

**6 Marking**

Marking shall be carried out in accordance with EN 13277-1:2000, clause 6. Additionally the protector shall be marked with an indication of whether it is for use by males or females.

**7 Information supplied by the manufacturer**

Requirements for the Information to be supplied by the manufacturer shall be in accordance with EN 13277-1:2000, clause 7.

The manufacturer shall indicate the possible combinations of equipment and any restrictions of the combined use, if relevant.



## Annex ZA (informative)

### Clauses of this European Standard addressing essential requirements or other provisions of EU Directives

This European Standard has been prepared under a mandate given to CEN by the European Commission and the European Free Trade Association and supports essential requirements of EU Directive 89/686/EEC.

**WARNING:** Other requirements and other EU Directives may be applicable to the product(s) falling within the scope of this standard.

The following clauses of this standard are likely to support requirements of Directive 89/686/EEC, Annex II:

EU-Directive 89/686/EEC, Annex II	Clause of this standard
1.1.1 Ergonomics	4.1, 4.2, 4.3, 4.4
1.2 Innocuousness of PPE	4.1
1.3 Comfort and efficiency	4.2
1.4 Information supplied by the manufacturer	Clause 6, Clause 7
2.1 PPE incorporating adjustment systems	4.5
2.4 PPE subject to ageing	Clause 7
2.9 PPE incorporating components which can be adjusted or removed by the user	4.4
3.1 Protection against mechanical impact	4.3, 4.6
3.3 Protection against physical injury	4.3, 4.6

Compliance with the clauses of this European Standard provides one means of conforming with the specific essential requirements of the Directive concerned and associated EFTA regulations.

---

---

## BSI — British Standards Institution

BSI is the independent national body responsible for preparing British Standards. It presents the UK view on standards in Europe and at the international level. It is incorporated by Royal Charter.

### Revisions

British Standards are updated by amendment or revision. Users of British Standards should make sure that they possess the latest amendments or editions.

It is the constant aim of BSI to improve the quality of our products and services. We would be grateful if anyone finding an inaccuracy or ambiguity while using this British Standard would inform the Secretary of the technical committee responsible, the identity of which can be found on the inside front cover. Tel: +44 (0)20 8996 9000. Fax: +44 (0)20 8996 7400.

BSI offers members an individual updating service called PLUS which ensures that subscribers automatically receive the latest editions of standards.

### Buying standards

Orders for all BSI, international and foreign standards publications should be addressed to Customer Services. Tel: +44 (0)20 8996 9001. Fax: +44 (0)20 8996 7001. Email: [orders@bsi-global.com](mailto:orders@bsi-global.com). Standards are also available from the BSI website at <http://www.bsi-global.com>.

In response to orders for international standards, it is BSI policy to supply the BSI implementation of those that have been published as British Standards, unless otherwise requested.

### Information on standards

BSI provides a wide range of information on national, European and international standards through its Library and its Technical Help to Exporters Service. Various BSI electronic information services are also available which give details on all its products and services. Contact the Information Centre. Tel: +44 (0)20 8996 7111. Fax: +44 (0)20 8996 7048. Email: [info@bsi-global.com](mailto:info@bsi-global.com).

Subscribing members of BSI are kept up to date with standards developments and receive substantial discounts on the purchase price of standards. For details of these and other benefits contact Membership Administration. Tel: +44 (0)20 8996 7002. Fax: +44 (0)20 8996 7001. Email: [membership@bsi-global.com](mailto:membership@bsi-global.com).

Information regarding online access to British Standards via British Standards Online can be found at <http://www.bsi-global.com/bsonline>.

Further information about BSI is available on the BSI website at <http://www.bsi-global.com>.

### Copyright

Copyright subsists in all BSI publications. BSI also holds the copyright, in the UK, of the publications of the international standardization bodies. Except as permitted under the Copyright, Designs and Patents Act 1988 no extract may be reproduced, stored in a retrieval system or transmitted in any form or by any means – electronic, photocopying, recording or otherwise – without prior written permission from BSI.

This does not preclude the free use, in the course of implementing the standard, of necessary details such as symbols, and size, type or grade designations. If these details are to be used for any other purpose than implementation then the prior written permission of BSI must be obtained.

Details and advice can be obtained from the Copyright & Licensing Manager. Tel: +44 (0)20 8996 7070. Fax: +44 (0)20 8996 7553. Email: [copyright@bsi-global.com](mailto:copyright@bsi-global.com).