

# Respiratory protective devices — Methods for test —

## Part 8: Determination of dolomite dust clogging

The European Standard EN 13274-8:2002 has the status of a  
British Standard

ICS 13.340.30

## National foreword

This British Standard is the official English language version of EN 13274-8:2002.

The UK participation in its preparation was entrusted by Technical Committee PH/4, Respiratory protection, to Subcommittee PH/4/9, Test methods and interpretation, which has the responsibility to:

- aid enquirers to understand the text;
- present to the responsible international/European committee any enquiries on the interpretation, or proposals for change, and keep the UK interests informed;
- monitor related international and European developments and promulgate them in the UK.

A list of organizations represented on this subcommittee can be obtained on request to its secretary.

### Cross-references

The British Standards which implement international or European publications referred to in this document may be found in the *BSI Catalogue* under the section entitled “International Standards Correspondence Index”, or by using the “Search” facility of the *BSI Electronic Catalogue* or of British Standards Online.

This publication does not purport to include all the necessary provisions of a contract. Users are responsible for its correct application.

**Compliance with a British Standard does not of itself confer immunity from legal obligations.**

This British Standard, having been prepared under the direction of the Health and Environment Sector Policy and Strategy Committee, was published under the authority of the Standards Policy and Strategy Committee on 6 January 2003

### Summary of pages

This document comprises a front cover, an inside front cover, the EN title page, pages 2 to 16, an inside back cover and a back cover.

The BSI copyright date displayed in this document indicates when the document was last issued.

### Amendments issued since publication

Amd. No.	Date	Comments

ICS 13.340.30

English version

## Respiratory protective devices - Methods of test - Part 8: Determination of dolomite dust clogging

Appareils de protection respiratoire - Méthodes d'essai -  
Partie 8: Détermination du colmatage par la poussière de  
dolomie

Atemschutzgeräte - Prüfverfahren - Teil 8: Bestimmung des  
Einspeicherns von Dolomitstaub

This European Standard was approved by CEN on 23 October 2002.

CEN members are bound to comply with the CEN/CENELEC Internal Regulations which stipulate the conditions for giving this European Standard the status of a national standard without any alteration. Up-to-date lists and bibliographical references concerning such national standards may be obtained on application to the Management Centre or to any CEN member.

This European Standard exists in three official versions (English, French, German). A version in any other language made by translation under the responsibility of a CEN member into its own language and notified to the Management Centre has the same status as the official versions.

CEN members are the national standards bodies of Austria, Belgium, Czech Republic, Denmark, Finland, France, Germany, Greece, Iceland, Ireland, Italy, Luxembourg, Malta, Netherlands, Norway, Portugal, Spain, Sweden, Switzerland and United Kingdom.



EUROPEAN COMMITTEE FOR STANDARDIZATION  
COMITÉ EUROPÉEN DE NORMALISATION  
EUROPÄISCHES KOMITEE FÜR NORMUNG

Management Centre: rue de Stassart, 36 B-1050 Brussels

---

## Contents

	page
Foreword.....	3
Introduction .....	4
1 Scope .....	4
2 Normative references .....	4
3 Terms and definitions.....	4
4 Pre-requisites .....	4
5 General test requirements .....	5
6 Sample preparation .....	5
7 Test methods.....	5
7.1 Principle .....	5
7.2 Apparatus .....	5
7.3 Test conditions .....	5
7.4 Procedures .....	6
7.4.1 General.....	6
7.4.2 Procedure A - Continuous flow .....	6
7.4.3 Procedure B - Sinusoidal flow (ambient exhaled air).....	6
7.4.4 Procedure C - Sinusoidal flow (conditioned exhaled air).....	7
Annex A (informative) Test results – Uncertainty of measurement .....	15
Annex ZA (informative) Clauses of this European Standard addressing essential requirements or other provisions of EU Directives .....	16

## Foreword

This document (EN 13274-8:2002) has been prepared by Technical Committee CEN/TC 79 “Respiratory protective devices”, the secretariat of which is held by DIN.

This European Standard shall be given the status of a national standard, either by publication of an identical text or by endorsement, at the latest by June 2003, and conflicting national standards shall be withdrawn at the latest by June 2003.

This document has been prepared under a mandate given to CEN by the European Commission and the European Free Trade Association, and supports essential requirements of EU Directive(s).

For relationship with EU Directive(s), see informative Annex ZA, which is an integral part of this document.

It is one of several parts, which are as follows:

Part 1: Determination of inward leakage and total inward leakage

Part 2: Practical performance tests

Part 3: Determination of breathing resistance

Part 4: Flame tests

Part 5: Climatic conditions

Part 6: Determination of carbon dioxide content of the inhalation air

Part 7: Determination of particle filter penetration

Part 8: Determination of dolomite dust clogging

Annex A is informative.

According to the CEN/CENELEC Internal Regulations, the national standards organizations of the following countries are bound to implement this European Standard: Austria, Belgium, Czech Republic, Denmark, Finland, France, Germany, Greece, Iceland, Ireland, Italy, Luxembourg, Malta, Netherlands, Norway, Portugal, Spain, Sweden, Switzerland and the United Kingdom.

## Introduction

This European Standard is intended as a supplement to the specific device standards for respiratory protective devices. Test methods are specified for complete or parts of devices. If deviations from the test method given in this European Standard are necessary, these deviations will be specified in the relevant device standard.

## 1 Scope

This European Standard specifies the procedure for determination of dolomite dust clogging for respiratory protective devices.

## 2 Normative references

This European Standard incorporates, by dated or undated reference, provisions from other publications. These normative references are cited at the appropriate places in the text, and the publications are listed hereafter. For dated references, subsequent amendments to or revisions of any of these publications apply to this European Standard only when incorporated in it by amendment or revision. For undated references the latest edition of the publication referred to applies (including amendments).

EN 132, *Respiratory protective devices – Definitions of terms and pictograms*.

## 3 Terms and definitions

For the purposes of this European Standard, the terms and definitions given in EN 132 apply.

## 4 Pre-requisites

In order to implement this Part of EN 13274, at least the following parameters need to be specified in the relevant device standard:

- number of samples (including pre-filters if appropriate);
- mechanical conditioning;
- climatic conditioning;
- sample preparation;
- details of sample mounting in test chamber (e.g. orientation, adapter, dummy head);
- information about the state of the device before starting the test (e.g. filter, battery of a powered device);
- which test procedure (A, B, C);
- dust exposure;
- nominal air flow (if applicable, e.g. for multiple filters);
- breathing rate;
- temperature and humidity of the breathing air;

- pass/fail criteria.

## 5 General test requirements

Unless otherwise specified the values stated in this standard are expressed as nominal values. Except for temperature limits, values which are not stated as maxima or minima shall be subject to a tolerance of  $\pm 5\%$ . Unless otherwise specified the ambient temperature for testing shall be from 16 °C to 32 °C and the temperature limits shall be subject to an accuracy of  $\pm 1$  °C.

## 6 Sample preparation

Before carrying out the test, examine the device to see that it is in the condition required by the relevant device standard. If appropriate, choose a suitable adaptor and check that the device can be fitted to it. If necessary, compare the breathing resistance with and without the adaptor.

## 7 Test methods

### 7.1 Principle

The test consists of drawing dust laden air through the filtering device and test (e.g. filter, filtering facepiece, powered device) until either:

- a) a specified breathing resistance is reached, or:
- b) a specified dust exposure is reached.

### 7.2 Apparatus

Choose a suitable mounting for the device, which shall be either an adaptor or a dummy head. If appropriate, check that the fit of the device on the mounting is leaktight. In all cases, the pressure drop introduced by the mounting has to be considered in results.

A typical arrangement of the test equipment is shown in Figure 1. The recommended dust test chamber used is shown in Figure 2. The working area of this chamber has a square section of 650 mm x 650 mm. A window allows the device to be introduced into the chamber. The linear speed and the particle size distribution (see Figure 3) are essential parameters of the test, and shall be verified if the geometry of the dust test chamber differs from that described here and in Figure 2.

NOTE An Andersen Cascade impactor has been found to be a suitable means of measuring particle size distribution of the airborne dolomite dust. Information on this equipment can be obtained from the Secretariat of CEN/TC 79.

### 7.3 Test conditions

The test agent is dolomite dust dispersed in a flow of air. It shall not be re-circulated or re-used.

NOTE Information about the supplier of dolomite dust, DRB 4/15) can be obtained from the Secretariat of CEN/TC 79.

The test agent is totally dispersed in a continuous airflow, to achieve a linear speed of 4 cm/s at the working area. This corresponds to an airflow rate of 60 m<sup>3</sup>/h through the dust chamber shown in Figure 2. The airborne particle size distribution is shown in Figure 3.

The airborne dust concentration may be measured by drawing air at 2 l/min through a sampling probe equipped with a pre-weighed, high efficiency filter (open face diameter 37 mm) located near the test sample.

The climatic conditions within the working area for the duration of the test shall be (21 to 25) °C and (30 to 60) % RH.

## 7.4 Procedures

### 7.4.1 General

Three procedures (A, B, and C) are given, their selection being dependent on the type of device to be tested.

NOTE Procedure A is typically used for filters, procedure B is typically used for power-assisted devices and procedure C is typically used for filtering facepieces.

### 7.4.2 Procedure A - Continuous flow

The device is mounted on a suitable adaptor and connected to a pump which will draw a continuous airflow through the filter during the test. See Figure 4.

Position the device so that, where possible, the inlet surface of the filter(s) lies parallel to the airflow through the test chamber.

Check the pressure drop of the adaptor at the required air flow, by recording the change in pressure or by setting a new zero.

Generate the aerosol for at least 5 min before performing the test, in order to ensure that the aerosol is homogeneous and the dust concentration is constant before the test is started.

Pass the continuous air flow at the rate given in the prerequisites through the device under test and continually monitor the breathing resistance. Continue until the relevant limit, either breathing resistance or calculated testing time, is reached. Calculate the testing time from the ratio between the required dust exposure and the measured dust concentration.

NOTE For example, a dust exposure at  $263 \text{ mgh/m}^3$  gives a testing time of 39,5 min with a dust concentration of  $400 \text{ mg/m}^3$ .

Stop the pump and carefully remove the device from the dust test chamber. Record the amount of dust deposited at the specified pressure drop, or vice versa.

### 7.4.3 Procedure B - Sinusoidal flow (ambient exhaled air)

The device is connected to a breathing simulator which inhales and exhales air at ambient conditions. See Figures 5 and 6.

Position the device so that, where possible, the inlet surface of the filter(s) lies parallel to the airflow through the test chamber.

Depending on the design of the device, place it either:

- a) with the facepiece fitted to the dummy head, and then the whole device placed in the dust test chamber (see Figure 5);
- b) with the facepiece fitted to the dummy head outside the test chamber, and the air inlet to the device located inside the dust test chamber (see Figure 6).

In both cases, fit the facepiece to the dummy head.

Generate the aerosol for at least 5 min before performing the test, in order to ensure that the aerosol is homogeneous and the dust concentration is constant before the test is started.

Switch on the blower unit of the device (if fitted). Set and operate the breathing simulator at the required rate and volume until the calculated testing time is reached.

NOTE For example, a dust exposure at  $200 \text{ mgh/m}^3$  gives a testing time of 30 min with a dust concentration of  $400 \text{ mg/m}^3$ .



Stop the breathing simulator and switch off the blower unit (if fitted). Carefully remove the device.

#### **7.4.4 Procedure C - Sinusoidal flow (conditioned exhaled air)**

The device is connected to a breathing simulator, which inhales air at ambient conditions and exhales humidified and heated air. See Figure 7.

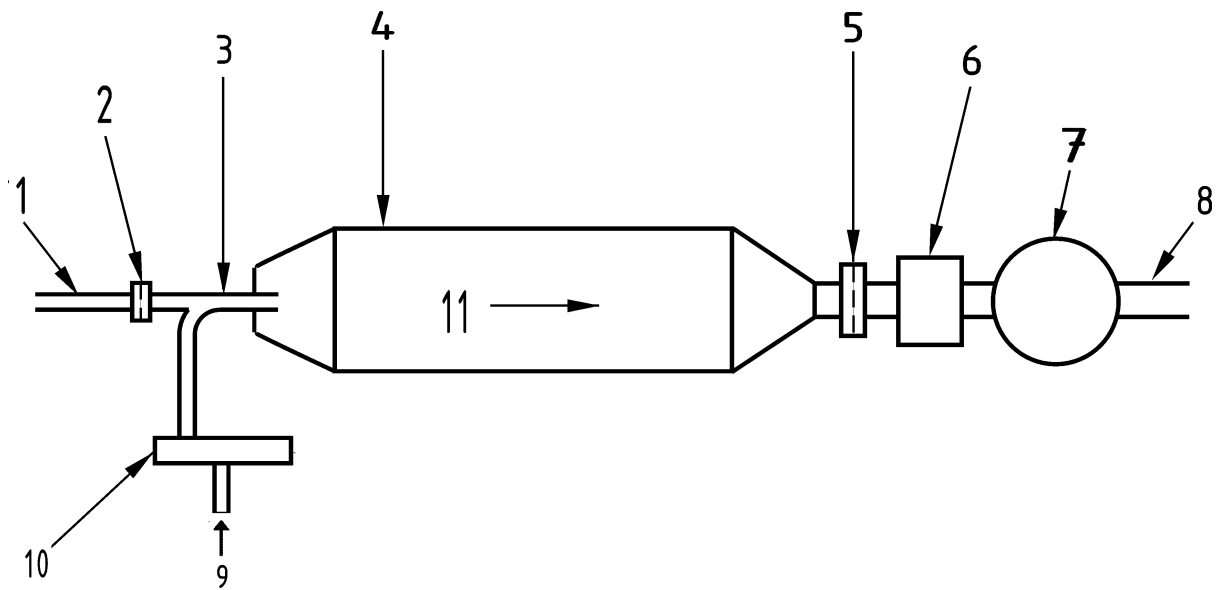
Position the device so that, where possible, the inlet surface of the filter(s) lies parallel to the airflow through the test chamber.

Place the device, fitted and sealed on a Sheffield dummy head, totally in the dust test chamber. Operate the breathing simulator at the required rate until the relevant limit (breathing resistance or calculated testing time) is reached, ensuring the breathing air conditions at the mouth of the dummy head are as specified by the pre-requisites.

NOTE For example, a dust exposure at  $833 \text{ mg/m}^3$  gives a testing time of 125 min with a dust concentration of  $400 \text{ mg/m}^3$ .

Generate the aerosol for at least 5 min before performing the test, in order to ensure that the aerosol is homogeneous and the dust concentration is constant before the test is started.

Stop the breathing simulator and carefully remove the device.

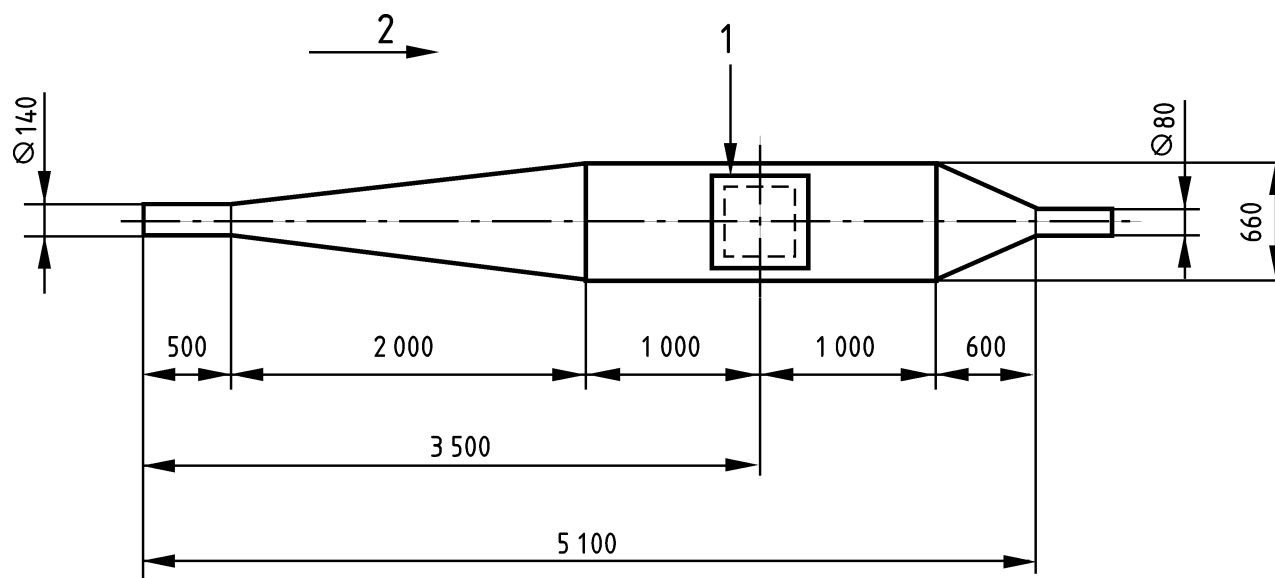


**Key**

- |   |                   |    |                       |
|---|-------------------|----|-----------------------|
| 1 | Compressed air    | 6  | Flow meter            |
| 2 | Air filter        | 7  | Pump                  |
| 3 | Injector          | 8  | Exhaust               |
| 4 | Dust test chamber | 9  | Dust distributor      |
| 5 | Filter            | 10 | Dust pickup point     |
|   |                   | 11 | Direction of air flow |

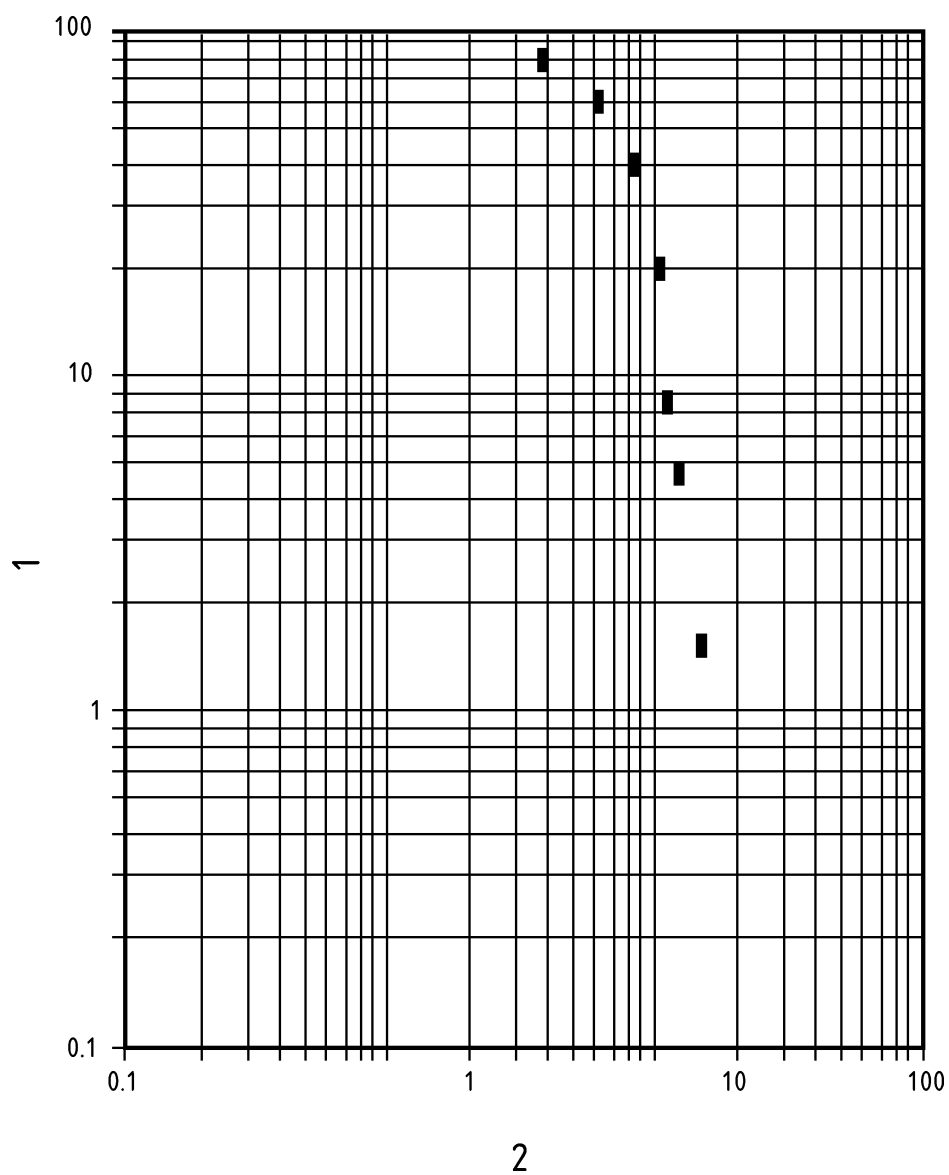
**Figure 1 - Typical arrangement of test equipment**

Dimensions in millimetres

**Key**

- 1 Window
- 2 Direction of air flow

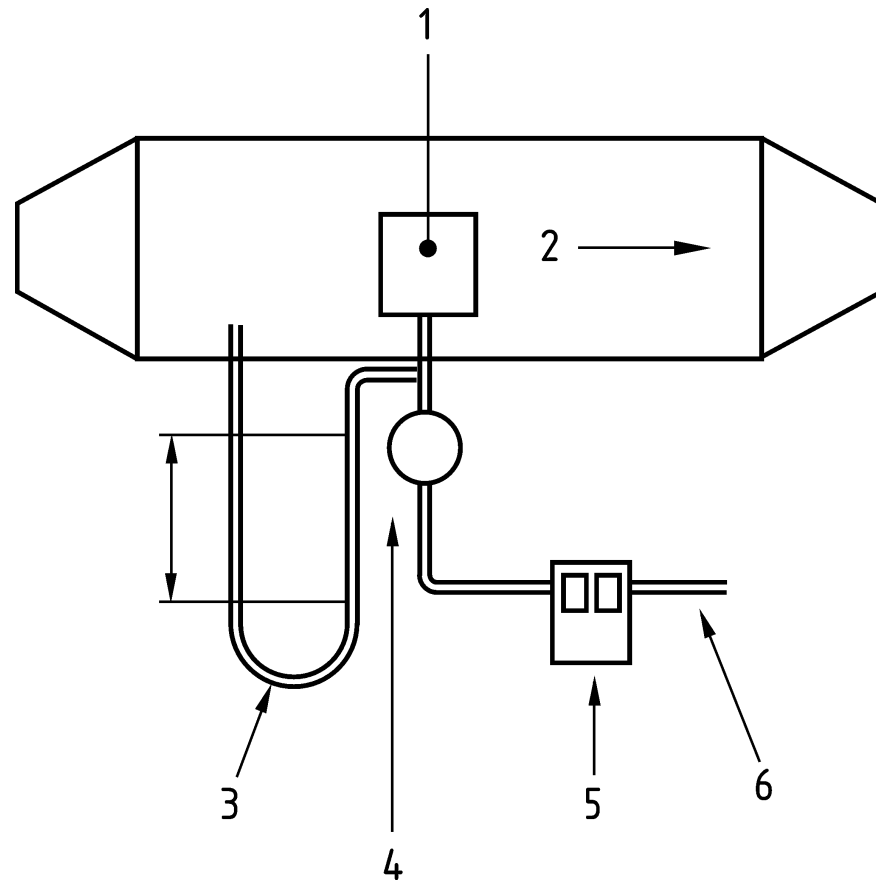
**Figure 2 - Dimensions of the recommended dust test chamber**



**Key**

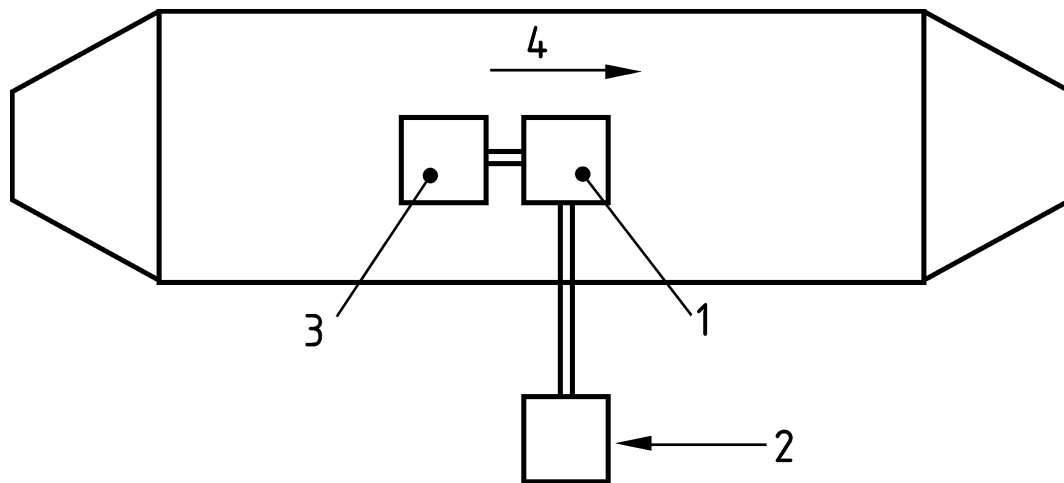
- 1 Percentage of particles > D
- 2 Particle sizes in  $\mu\text{m}$

**Figure 3 - Airborne particle size distribution (on a mass basis) of dolomite dust near the test point**

**Key**

- 1 Device in test
- 2 Direction of air flow
- 3 Manometer
- 4 Pump
- 5 Counter or flowmeter
- 6 Exhaust

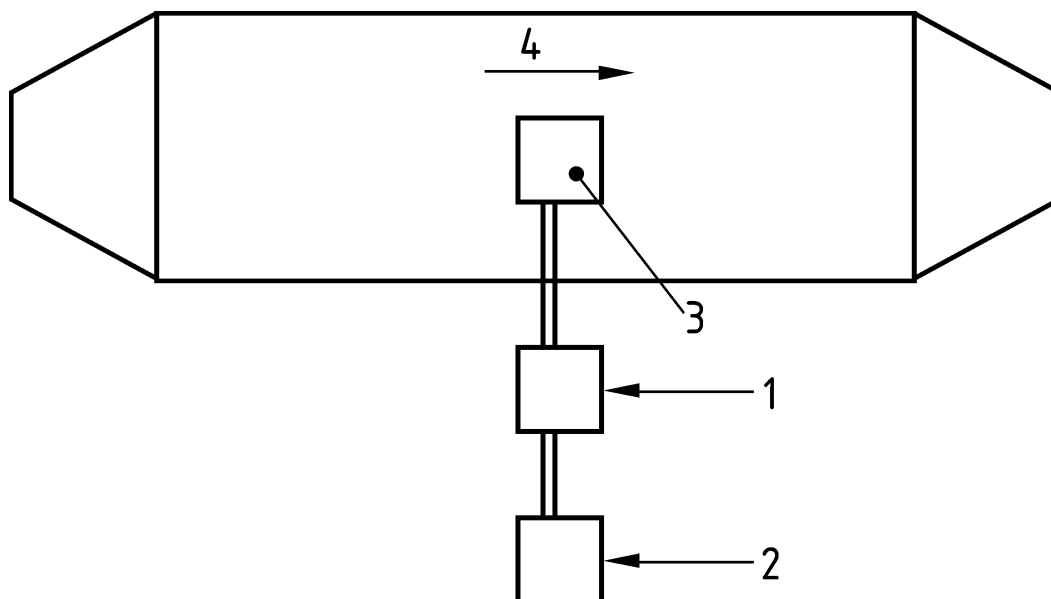
Figure 4 - Schematic arrangement for Procedure A



**Key**

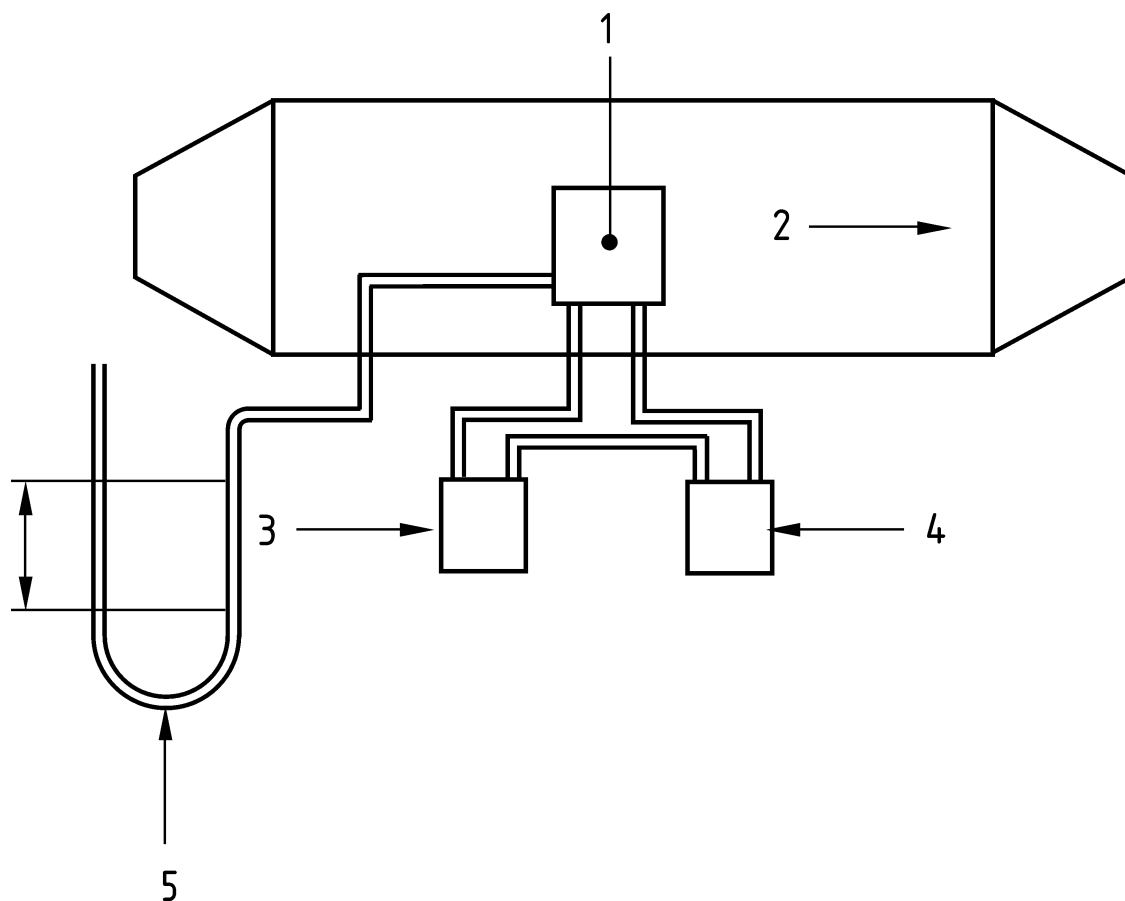
- 1 Facepiece on dummy head
- 2 Breathing simulator
- 3 Device air inlet (whole device inside the test chamber)
- 4 Direction of air flow

**Figure 5 - Schematic arrangement for procedure B – whole device inside test chamber**

**Key**

- 1 Facepiece on dummy head
- 2 Breathing simulator
- 3 Device air inlet
- 4 Direction of air flow

**Figure 6 - Schematic arrangement for procedure B – device air inlet only inside test chamber**



**Key**

- 1 Device on dummy head
- 2 Direction of air flow
- 3 Humidifier/heater
- 4 Breathing simulator
- 5 Manometer

**Figure 7 - Schematic arrangement for Procedure C**



**Annex A**  
(informative)

**Test results – Uncertainty of measurement**

For each of the required measurements performed in accordance with this standard, a corresponding estimate of the uncertainty of measurement shall be evaluated. This estimate of uncertainty shall be applied and stated when reporting test results, in order to enable the user of the test report to assess the reliability of the data.

**Annex ZA**  
(informative)

**Clauses of this European Standard addressing essential requirements or other provisions of EU Directives**

This European Standard has been prepared under a mandate given to CEN by the European Commission and the European Free Trade Association and supports essential requirements of EU Directive 89/686/EEC.

Warning : Other requirements and other EU Directives may be applicable to the product(s) falling within the scope of this standard.

The clauses of this standard are likely to support requirements in 3.10.1 of Annex II of Directive 89/686/EEC.

Compliance with this standard provides one means of conforming with the specific essential requirements of the Directive concerned and associated EFTA regulations.



---

---

## BSI — British Standards Institution

BSI is the independent national body responsible for preparing British Standards. It presents the UK view on standards in Europe and at the international level. It is incorporated by Royal Charter.

### Revisions

British Standards are updated by amendment or revision. Users of British Standards should make sure that they possess the latest amendments or editions.

It is the constant aim of BSI to improve the quality of our products and services. We would be grateful if anyone finding an inaccuracy or ambiguity while using this British Standard would inform the Secretary of the technical committee responsible, the identity of which can be found on the inside front cover. Tel: +44 (0)20 8996 9000. Fax: +44 (0)20 8996 7400.

BSI offers members an individual updating service called PLUS which ensures that subscribers automatically receive the latest editions of standards.

### Buying standards

Orders for all BSI, international and foreign standards publications should be addressed to Customer Services. Tel: +44 (0)20 8996 9001. Fax: +44 (0)20 8996 7001. Email: [orders@bsi-global.com](mailto:orders@bsi-global.com). Standards are also available from the BSI website at <http://www.bsi-global.com>.

In response to orders for international standards, it is BSI policy to supply the BSI implementation of those that have been published as British Standards, unless otherwise requested.

### Information on standards

BSI provides a wide range of information on national, European and international standards through its Library and its Technical Help to Exporters Service. Various BSI electronic information services are also available which give details on all its products and services. Contact the Information Centre. Tel: +44 (0)20 8996 7111. Fax: +44 (0)20 8996 7048. Email: [info@bsi-global.com](mailto:info@bsi-global.com).

Subscribing members of BSI are kept up to date with standards developments and receive substantial discounts on the purchase price of standards. For details of these and other benefits contact Membership Administration. Tel: +44 (0)20 8996 7002. Fax: +44 (0)20 8996 7001. Email: [membership@bsi-global.com](mailto:membership@bsi-global.com).

Information regarding online access to British Standards via British Standards Online can be found at <http://www.bsi-global.com/bsonline>.

Further information about BSI is available on the BSI website at <http://www.bsi-global.com>.

### Copyright

Copyright subsists in all BSI publications. BSI also holds the copyright, in the UK, of the publications of the international standardization bodies. Except as permitted under the Copyright, Designs and Patents Act 1988 no extract may be reproduced, stored in a retrieval system or transmitted in any form or by any means – electronic, photocopying, recording or otherwise – without prior written permission from BSI.

This does not preclude the free use, in the course of implementing the standard, of necessary details such as symbols, and size, type or grade designations. If these details are to be used for any other purpose than implementation then the prior written permission of BSI must be obtained.

Details and advice can be obtained from the Copyright & Licensing Manager. Tel: +44 (0)20 8996 7070. Fax: +44 (0)20 8996 7553. Email: [copyright@bsi-global.com](mailto:copyright@bsi-global.com).