

**Flexible sheets
for waterproofing
— Underlays for
discontinuous
roofing and walls
— Determination of
resistance to water
penetration**

ICS 91.100.50

National foreword

This British Standard is the UK implementation of EN 13111:2010. It supersedes BS EN 13111:2001 which is withdrawn.

The UK participation in its preparation was entrusted to Technical Committee B/546/5, Flexible building membranes.

A list of organizations represented on this committee can be obtained on request to its secretary.

This publication does not purport to include all the necessary provisions of a contract. Users are responsible for its correct application.

Compliance with a British Standard cannot confer immunity from legal obligations.

This British Standard was published under the authority of the Standards Policy and Strategy Committee on 30 June 2010

© BSI 2010

ISBN 978 0 580 68722 8

Amendments/corrigenda issued since publication

Date	Comments

EUROPEAN STANDARD

EN 13111

NORME EUROPÉENNE

EUROPÄISCHE NORM

May 2010

ICS 91.100.50

Supersedes EN 13111:2001

English Version

Flexible sheets for waterproofing - Underlays for discontinuous roofing and walls - Determination of resistance to water penetration

Feuilles souples d'étanchéité - Ecrans de sous-toiture et pare-pluie pour murs - Détermination de la résistance à la pénétration de l'eau

Abdichtungsbahnen - Unterdeck- und Unterspannbahnen für Dachdeckungen und Wände - Bestimmung des Widerstandes gegen Wasserdurchgang

This European Standard was approved by CEN on 23 April 2010.

CEN members are bound to comply with the CEN/CENELEC Internal Regulations which stipulate the conditions for giving this European Standard the status of a national standard without any alteration. Up-to-date lists and bibliographical references concerning such national standards may be obtained on application to the CEN Management Centre or to any CEN member.

This European Standard exists in three official versions (English, French, German). A version in any other language made by translation under the responsibility of a CEN member into its own language and notified to the CEN Management Centre has the same status as the official versions.

CEN members are the national standards bodies of Austria, Belgium, Bulgaria, Croatia, Cyprus, Czech Republic, Denmark, Estonia, Finland, France, Germany, Greece, Hungary, Iceland, Ireland, Italy, Latvia, Lithuania, Luxembourg, Malta, Netherlands, Norway, Poland, Portugal, Romania, Slovakia, Slovenia, Spain, Sweden, Switzerland and United Kingdom.



EUROPEAN COMMITTEE FOR STANDARDIZATION
COMITÉ EUROPÉEN DE NORMALISATION
EUROPÄISCHES KOMITEE FÜR NORMUNG

Management Centre: Avenue Marnix 17, B-1000 Brussels

Contents

Page

Foreword.....	3
Introduction	4
1 Scope	5
2 Normative references	5
3 Terms and definitions	5
4 Principle.....	5
5 Apparatus	5
6 Sampling and preparation of test specimens.....	6
6.1 Sampling.....	6
6.2 Preparation of test specimens	6
7 Procedure	7
8 Evaluation of results	7
9 Test Report.....	7

Foreword

This document (EN 13111:2010) has been prepared by Technical Committee CEN/TC 254 "Flexible sheets for waterproofing", the secretariat of which is held by BSI.

This European Standard shall be given the status of a national standard, either by publication of an identical text or by endorsement, at the latest by November 2010, and conflicting national standards shall be withdrawn at the latest by November 2010.

Attention is drawn to the possibility that some of the elements of this document may be the subject of patent rights. CEN [and/or CENELEC] shall not be held responsible for identifying any or all such patent rights.

This document supersedes EN 13111:2001.

This document has been prepared under a mandate given to CEN by the European Commission and the European Free Trade Association.

According to the CEN/CENELEC Internal Regulations, the national standards organizations of the following countries are bound to implement this European Standard: Austria, Belgium, Bulgaria, Croatia, Cyprus, Czech Republic, Denmark, Estonia, Finland, France, Germany, Greece, Hungary, Iceland, Ireland, Italy, Latvia, Lithuania, Luxembourg, Malta, Netherlands, Norway, Poland, Portugal, Romania, Slovakia, Slovenia, Spain, Sweden, Switzerland and the United Kingdom.

Introduction

This European Standard is one of a series of standards which specify test methods for the characterization and/or classification of industrially manufactured underlays. The methods of test relate to products exclusively.

This document applies in conjunction with European Standards specifying definitions and characteristics on underlays for discontinuous roofing and walls.

1 Scope

This European Standard specifies a method to test the resistance against water penetration of underlays for discontinuous roofing and for walls.

2 Normative references

The following referenced documents are indispensable for the application of this document. For dated references, only the edition cited applies. For undated references, the latest edition of the referenced document (including any amendments) applies.

EN 13416, *Flexible sheets for waterproofing — Bitumen, plastic and rubber sheets for roof waterproofing — Rules for sampling*

3 Terms and definitions

For the purposes of this document, the terms and definitions indicated in the corresponding European Standards specifying definitions and characteristics on underlays for discontinuous roofing and walls apply.

4 Principle

Test specimens of the sheet are subjected to a waterhead and the volume of penetrating water is measured.

A conditioned test specimen is positioned as a water-carrying layer into a device with flange and defined basic surface.

Water occasionally penetrating the test specimen will be collected in a basin positioned under the testing apparatus and volumetrically measured at the end of the test.

5 Apparatus

The apparatus is shown in Figure 1 and Table 1.

The test container can have two different inside dimensions with the same test area of 0,045 m²:

- a) $(300 \pm 1) \text{ mm} \times (150 \pm 1) \text{ mm}$; or
- b) $(250 \pm 1) \text{ mm} \times (180 \pm 1) \text{ mm}$.

It is equipped with a flange and a counter frame incorporating a suitable seal.

At the inside of the container, an inclined plane of $(45 \pm 2)^\circ$ towards the longitudinal side of the basin is positioned to achieve a defined filling process of the required water quantity. The inclined plane is only attached at the latitudinal sides of 150 mm or 180 mm for containers a) and b) respectively and therefore forms a slot of $(0,5^{+0}_{-0,1}) \text{ mm}$ towards the longitudinal side.

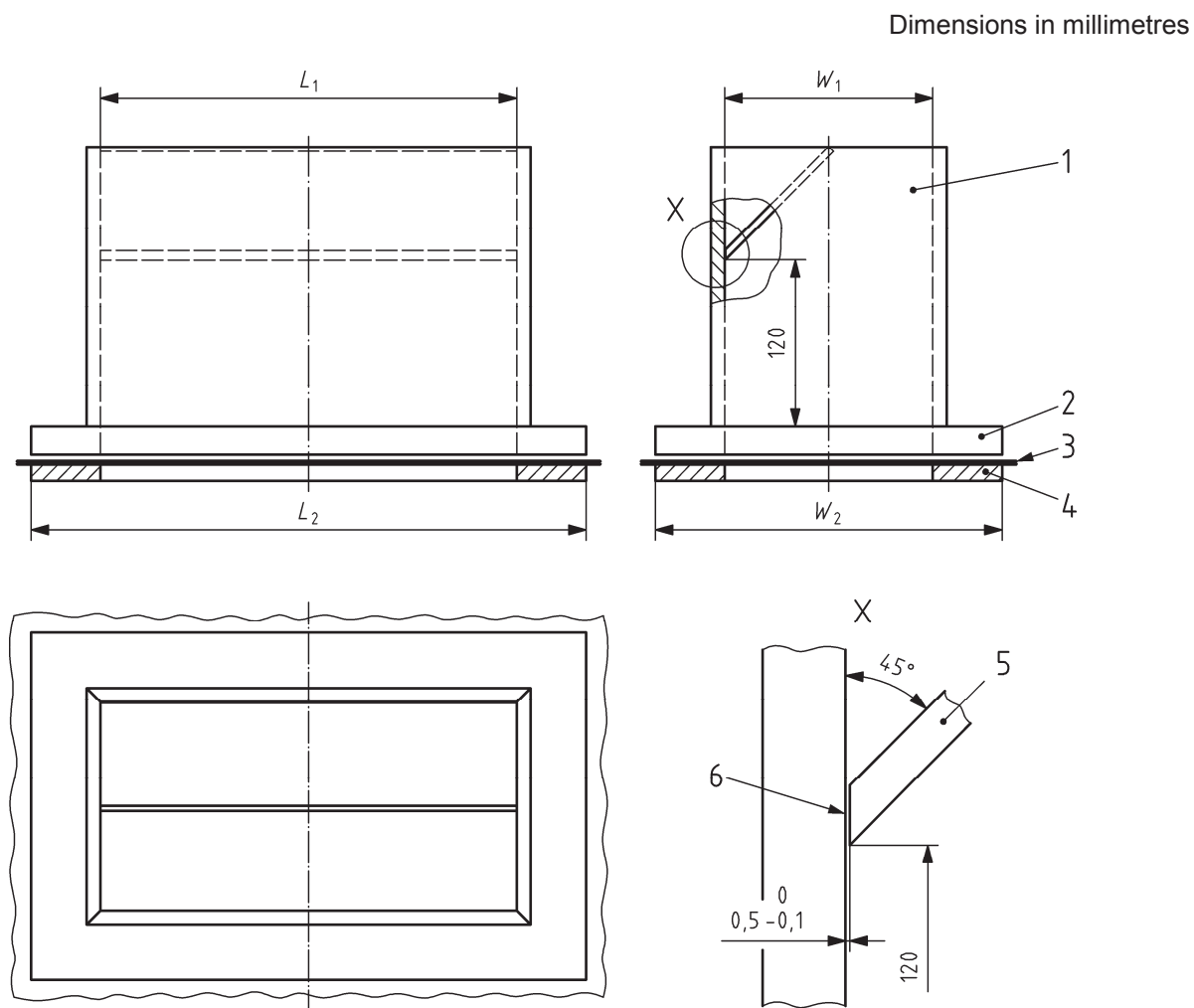
6 Sampling and preparation of test specimens

6.1 Sampling

Test samples shall be taken in accordance with EN 13416. Samples with extraordinary defects shall not be used for testing.

6.2 Preparation of test specimens

Three test specimens with dimension of at least 350 mm × 200 mm or 300 mm × 230 mm for containers a) and b) respectively (see Clause 5) shall be cut from the test sample. The test specimens shall be cut evenly spread across the whole width of the sheet. The prepared test specimens shall be conditioned for 24 h at $(23 \pm 2)^\circ\text{C}$ before testing.



Key

- 1 Container
 - 2 Flange
 - 3 Test specimen
 - 4 Counter frame
 - 5 Inclined plane
 - 6 Slot
- L_1, L_2, W_1, W_2 See Table 1

Figure 1 — Testing device

Table 1 — Dimensions of testing container

	Dimensions of the container	
1 st possibility	$L_1 = (300 \pm 1) \text{ mm}$	$W_1 = (150 \pm 1) \text{ mm}$
	$L_2 = (400 \pm 1) \text{ mm}$	$W_2 = (250 \pm 1) \text{ mm}$
2 nd possibility	$L_1 = (250 \pm 1) \text{ mm}$	$W_1 = (180 \pm 1) \text{ mm}$
	$L_2 = (350 \pm 1) \text{ mm}$	$W_2 = (280 \pm 1) \text{ mm}$

7 Procedure

The test shall be conducted at $(23 \pm 2) ^\circ\text{C}$. The test specimen shall be positioned in the testing device between the flange and the counter frame in accordance with Figure 1. The resulting container, with interior dimensions conforming to Clause 5, shall be positioned horizontally into a basin to collect the water which penetrates through the test specimen. $(2,25 \pm 0,02) \text{ l}$ of demineralised water with $(23 \pm 2) ^\circ\text{C}$ shall be poured within 1 min down the inclined plane into the apparatus. The time of examination is $3 \text{ h} \pm 5 \text{ min}$ after filling.

Protect the test equipment from any vibrations during the whole testing period.

On completion of the test, the basin under the test container shall be removed and the volume of water which has penetrated shall be measured by a graduated cylinder or determined by weighing.

8 Evaluation of results

The volume of the penetrated water of each test specimen shall be indicated with an accuracy of 2 ml and rounded to nearest 1 ml.

The repeatability and the reproducibility are not specified by this standard.

9 Test Report

The test report shall contain at least the following information:

- all details necessary to identify the product tested, including type, source, manufacturer's code number, product description, and any other relevant observation;
- reference to this European Standard (EN 13111) and any deviation from it;
- information about the test procedure, the length and the width of the test area;
- individual test results in accordance with Clause 8;
- date of the test.

BSI - British Standards Institution

BSI is the independent national body responsible for preparing British Standards. It presents the UK view on standards in Europe and at the international level. It is incorporated by Royal Charter.

Revisions

British Standards are updated by amendment or revision. Users of British Standards should make sure that they possess the latest amendments or editions.

It is the constant aim of BSI to improve the quality of our products and services. We would be grateful if anyone finding an inaccuracy or ambiguity while using this British Standard would inform the Secretary of the technical committee responsible, the identity of which can be found on the inside front cover. Tel: +44 (0)20 8996 9000. Fax: +44 (0)20 8996 7400.

BSI offers members an individual updating service called PLUS which ensures that subscribers automatically receive the latest editions of standards.

Buying standards

Orders for all BSI, international and foreign standards publications should be addressed to Customer Services. Tel: +44 (0)20 8996 9001. Fax: +44 (0)20 8996 7001 Email: orders@bsigroup.com You may also buy directly using a debit/credit card from the BSI Shop on the Website <http://www.bsigroup.com/shop>

In response to orders for international standards, it is BSI policy to supply the BSI implementation of those that have been published as British Standards, unless otherwise requested.

Information on standards

BSI provides a wide range of information on national, European and international standards through its Library and its Technical Help to Exporters Service. Various BSI electronic information services are also available which give details on all its products and services. Contact Information Centre. Tel: +44 (0)20 8996 7111 Fax: +44 (0)20 8996 7048 Email: info@bsigroup.com

Subscribing members of BSI are kept up to date with standards developments and receive substantial discounts on the purchase price of standards. For details of these and other benefits contact Membership Administration. Tel: +44 (0)20 8996 7002 Fax: +44 (0)20 8996 7001 Email: membership@bsigroup.com

Information regarding online access to British Standards via British Standards Online can be found at <http://www.bsigroup.com/BSOL>

Further information about BSI is available on the BSI website at <http://www.bsigroup.com>.

Copyright

Copyright subsists in all BSI publications. BSI also holds the copyright, in the UK, of the publications of the international standardization bodies. Except as permitted under the Copyright, Designs and Patents Act 1988 no extract may be reproduced, stored in a retrieval system or transmitted in any form or by any means – electronic, photocopying, recording or otherwise – without prior written permission from BSI.

This does not preclude the free use, in the course of implementing the standard, of necessary details such as symbols, and size, type or grade designations. If these details are to be used for any other purpose than implementation then the prior written permission of BSI must be obtained.

Details and advice can be obtained from the Copyright and Licensing Manager. Tel: +44 (0)20 8996 7070 Email: copyright@bsigroup.com