

Products used for the treatment of water intended for human consumption — Granular activated carbon

Part 1: Virgin granular activated carbon

ICS 13.060.20; 71.100.80

National foreword

This British Standard is the UK implementation of EN 12915-1:2009. It supersedes BS EN 12915-1:2003 which is withdrawn.

The UK participation in its preparation was entrusted to Technical Committee CII/59, Chemicals for drinking water treatment.

A list of organizations represented on this committee can be obtained on request to its secretary.

This publication does not purport to include all the necessary provisions of a contract. Users are responsible for its correct application.

Compliance with a British Standard cannot confer immunity from legal obligations.

This British Standard was published under the authority of the Standards Policy and Strategy Committee on 30 June 2009.

© BSI 2009

ISBN 978 0 580 63250 1

Amendments/corrigenda issued since publication

Date	Comments

EUROPEAN STANDARD

EN 12915-1

NORME EUROPÉENNE

EUROPÄISCHE NORM

March 2009

ICS 71.100.80

Supersedes EN 12915-1:2003

English Version

Products used for the treatment of water intended for human
consumption - Granular activated carbon - Part 1: Virgin
granular activated carbon

Produits chimiques utilisés pour le traitement de l'eau
destinée à la consommation humaine - Charbon actif en
grains - Partie 1: Charbon actif en grains vierge

Produkte zur Aufbereitung von Wasser für den
menschlichen Gebrauch - Granulierte Aktivkohle - Teil 1:
Frische granulierte Aktivkohle

This European Standard was approved by CEN on 1 February 2009.

CEN members are bound to comply with the CEN/CENELEC Internal Regulations which stipulate the conditions for giving this European Standard the status of a national standard without any alteration. Up-to-date lists and bibliographical references concerning such national standards may be obtained on application to the CEN Management Centre or to any CEN member.

This European Standard exists in three official versions (English, French, German). A version in any other language made by translation under the responsibility of a CEN member into its own language and notified to the CEN Management Centre has the same status as the official versions.

CEN members are the national standards bodies of Austria, Belgium, Bulgaria, Cyprus, Czech Republic, Denmark, Estonia, Finland, France, Germany, Greece, Hungary, Iceland, Ireland, Italy, Latvia, Lithuania, Luxembourg, Malta, Netherlands, Norway, Poland, Portugal, Romania, Slovakia, Slovenia, Spain, Sweden, Switzerland and United Kingdom.



EUROPEAN COMMITTEE FOR STANDARDIZATION
COMITÉ EUROPÉEN DE NORMALISATION
EUROPÄISCHES KOMITEE FÜR NORMUNG

Management Centre: Avenue Marnix 17, B-1000 Brussels

Contents

Page

Foreword.....	3
Introduction	4
1 Scope	5
2 Normative references	5
3 Terms and definitions	5
4 Description	5
4.1 Identification.....	5
4.2 Commercial forms	6
5 Physical properties.....	6
5.1 Appearance	6
5.2 Particle size distribution	6
5.3 Wettability	7
5.4 Bulk density packed	7
5.5 Mechanical strength	7
6 Chemical properties	7
6.1 General.....	7
6.2 Purity criteria.....	7
7 Specific properties.....	8
8 Test methods.....	8
8.1 Sampling	8
8.2 Analysis	8
9 Labelling, transportation and storage	15
9.1 Means of delivery.....	15
9.2 Risk and safety labelling according to the EU directives.....	15
9.3 Transportation regulations and labelling	16
9.4 Marking	16
9.5 Storage.....	16
Annex A (informative) General information on granular activated carbon	17
A.1 Origin	17
A.2 Composition.....	17
A.3 Hydraulic characteristics	18
A.4 Use	19
A.5 Rules for safe handling and use	19
A.6 Emergency procedures	20
Bibliography	21

Foreword

This document (EN 12915-1:2009) has been prepared by Technical Committee CEN/TC 164 “Water supply”, the secretariat of which is held by AFNOR.

This European Standard shall be given the status of a national standard, either by publication of an identical text or by endorsement, at the latest by September 2009, and conflicting national standards shall be withdrawn at the latest by September 2009.

This document supersedes EN 12915-1:2003.

Attention is drawn to the possibility that some of the elements of this document may be the subject of patent rights. CEN [and/or CENELEC] shall not be held responsible for identifying any or all such patent rights.

This European Standard consists of two parts, Part 1 is concerned with virgin granular activated carbon and Part 2 gives requirements for reactivated granular activated carbon.

Differences between this edition and EN 12915-1:2003 are editorial to harmonize the text with other standards in this series.

According to the CEN/CENELEC Internal Regulations, the national standards organizations of the following countries are bound to implement this European Standard: Austria, Belgium, Bulgaria, Cyprus, Czech Republic, Denmark, Estonia, Finland, France, Germany, Greece, Hungary, Iceland, Ireland, Italy, Latvia, Lithuania, Luxembourg, Malta, Netherlands, Norway, Poland, Portugal, Romania, Slovakia, Slovenia, Spain, Sweden, Switzerland and the United Kingdom.

Introduction

In respect of potential adverse effects on the quality of water intended for human consumption, caused by the product covered by this European Standard:

- a) this European Standard provides no information as to whether the product may be used without restriction in any of the Member States of the EU or EFTA;
- b) it should be noted that, while awaiting the adoption of verifiable European criteria, existing national regulations concerning the use and/or the characteristics of this product remain in force.

NOTE Conformity with this European Standard does not confer or imply acceptance or approval of the product in any of the Member States of the EU or EFTA. The use of the product covered by this European Standard is subject to regulation or control by National Authorities.

1 Scope

This part of EN 12915 is applicable to virgin granular activated carbon used for treatment of water intended for human consumption. It describes the characteristics of virgin granular activated carbon and specifies the requirements and the corresponding test methods for virgin granular activated carbon. It gives information on its use in water treatment.

2 Normative references

The following referenced documents are indispensable for the application of this document. For dated references, only the edition cited applies. For undated references, the latest edition of the referenced document (including any amendments) applies.

EN 12901:1999, *Products used for treatment of water intended for human consumption - Inorganic supporting and filtering materials – Definitions*

EN 12902, *Products used for treatment of water intended for human consumption - Inorganic supporting and filtering materials - Methods of test*

EN ISO 3696, *Water for analytical laboratory use – Specification and test methods (ISO 3696:1987)*

3 Terms and definitions

For the purposes of this document, the terms and definitions given in EN 12901:1999 and the following apply.

3.1

virgin activated carbon

freshly manufactured activated carbon that has not been used and has not been reactivated

3.2

wettability

ability of granular activated carbon to be wetted when in contact with water, determined by measuring the quantity of material that sinks in water under specified conditions

4 Description

4.1 Identification

4.1.1 Chemical name(s)

Carbon.

4.1.2 Synonym or common names

Virgin granular activated carbon, virgin activated coal, virgin activated charcoal, virgin active carbon.

4.1.3 Chemical formula

C (elementary).

4.1.4 CAS Registry Number¹⁾

7440-44-0.

4.1.5 EINECS reference²⁾

231-153-3.

4.2 Commercial forms

Granular activated carbon is a granular product; by convention not less than a mass fraction of 90 % is retained on a 180 µm aperture test sieve (see 5.2). The product can be either shaped (moulded/extruded) or irregular (non-moulded), and is available in many grades, differing in adsorption characteristics, hardness, porosity, granulometry, shape and purity.

5 Physical properties

5.1 Appearance

The commercial product consists of black, porous granules of irregular shape or, for moulded or extruded products, in forms such as uniform cylinders, pellets or spheres.

5.2 Particle size distribution

5.2.1 General

The particle size distribution shall be determined on samples taken at the point of manufacture. The particle size distribution shall be within the manufacturer's stated tolerance.

NOTE 1 Different applications can require different particle size ranges.

NOTE 2 The particle size can decrease during transportation and handling.

5.2.2 Irregular product

The particle size distribution shall be described by either:

a) effective size: (d_{10}) with a permitted tolerance of ± 5 %;

uniformity coefficient: (U) shall be less than 2,1;

minimum size: (d_1) with a permitted tolerance of ± 5 %;

or:

b) by particle size range and by mass of oversize and undersize particles according to application:

— the content of oversize plus undersize shall not exceed a mass fraction of 15 % and not more than a mass fraction of 5 % shall be undersize.

NOTE Other values can be necessary for certain applications.

1) Chemical Abstracts Service Registry Number.

2) European Inventory of Existing Commercial Chemical Substances.

5.2.3 Moulded/extruded product

Not more than a mass fraction of 3 % shall pass a test sieve with an aperture size as close as possible to 0,75 times the nominal particle diameter.

5.3 Wettability

The wettability shall be greater than a mass fraction of 99 %.

5.4 Bulk density packed

The bulk density packed shall be greater than or equal to 180 kg/m³.

5.5 Mechanical strength

The ball-pan hardness shall be greater than 75.

NOTE Products with a lower hardness are suitable for certain applications.

6 Chemical properties

6.1 General

Granular activated carbon is manufactured by controlled oxidation (by means of steam or chemicals) from carbonaceous raw materials including coconut, wood, peat or coal. The raw materials shall be stated by the manufacturer.

High internal porosity results in adsorptive properties and, depending on the raw material and the manufacturing process, it can have acid or basic properties. It is a reducing agent with catalytic properties. Activated carbon can react with oxidants to form carbon dioxide.

The carbon content of the commercial product does not affect adsorption characteristics.

6.2 Purity criteria

6.2.1 General

This European Standard specifies the minimum purity requirements for virgin granular activated carbon used for the treatment of water intended for human consumption. Limits are given for impurities commonly present in the product. Depending on the raw material and the manufacturing process other impurities may be present and, if so, this shall be notified to the user and when necessary to relevant authorities.

NOTE Users of this product should check the national regulations in order to clarify whether it is of appropriate purity for treatment of water intended for human consumption, taking into account raw water quality, contents of other impurities and additives used in the products not stated in the product standard.

Limits have been given for impurities and chemical parameters where these are likely to be present in significant quantities from the current production process and raw materials. If the production process or raw materials lead to significant quantities of impurities, by-products or additives being present, this shall be notified to the user.

6.2.2 Impurities and main by-products

The product shall conform to the requirements specified in Table 1.

Table 1 — Main impurities and by-products

Impurity		Limit ^a in mass fraction %
Ash	max.	15
Water ^b (at the time of packing) ^c	max.	5
Water-soluble material	max.	3
Zinc	max.	0,002
^a Expressed on a dry basis except for water content. ^b Higher or lower values can be necessary for certain applications. ^c The water content can increase after packing; e.g. during transportation		

6.2.3 Water-extractable substances

The product shall conform to the requirements specified in Table 2.

Table 2 — Water- extractable substances

Substance		Limit in µg/l in the extraction water
Arsenic (As)	max.	10
Cadmium (Cd)	max.	0,5
Chromium (Cr)	max.	5
Mercury (Hg)	max.	0,3
Nickel (Ni)	max.	15
Lead (Pb)	max.	5
Antimony (Sb)	max.	3
Selenium (Se)	max.	3
Cyanide (CN)	max.	5
PAH ^a	max.	0,02
^a Polycyclic Aromatic Hydrocarbons : the sum of the detected concentrations of fluoranthene, benzo(b)fluoranthene, benzo(k)fluoranthene, benzo(a)pyrene, benzo(ghi)perylene, indeno(1,2,3-cd)pyrene.		

7 Specific properties

The iodine number of the granular activated carbon shall be not less than 600 mg/g.

8 Test methods

8.1 Sampling

Prepare the laboratory sample(s) required by the relevant procedures described in EN 12902.

8.2 Analysis

8.2.1 Particle size distribution

The particle size distribution shall be determined in accordance with EN 12902.

8.2.2 Wettability

8.2.2.1 Principle

Immersion of the product in boiling water. Cooling, sedimentation and filtration of the supernatant through a sieve to determine the quantity of material that is not wetted.

8.2.2.2 Reagents

All reagents shall be of a recognized analytical grade and the water used shall conform to grade 3 in accordance with EN ISO 3696.

8.2.2.3 Apparatus

Ordinary laboratory apparatus and glassware together the following.

8.2.2.3.1 Drying oven capable of being controlled at $(150 \pm 5)^\circ\text{C}$.

8.2.2.3.2 Hotplate.

8.2.2.3.3 Wire cloth sieve, with an aperture size as close as possible to the nominal undersize of the granular activated carbon (for moulded/extruded products, 0,75 times the nominal particle diameter).

8.2.2.3.4 Balance having an accuracy of 0,1 g.

8.2.2.4 Procedure

Take a test sample of approximately 500 ml of granular activated carbon, dry at $(150 \pm 5)^\circ\text{C}$, and weigh (m_0). Bring 1 l of water to the boil in a 2 l glass beaker and add the granular activated carbon to the boiling water. Continue to boil for $10 \text{ min} \pm 30 \text{ s}$, swirling if necessary to remove carbon particles attached to the wall of the beaker. Remove from the hotplate (8.2.2.3.2) and cool to room temperature.

Carefully decant the supernatant water (approximately 500 ml), including any suspended or floating particles. Filter the supernatant through the sieve (8.2.2.3.3), collect the particles retained on the sieve and dry to constant mass at $(150 \pm 5)^\circ\text{C}$ (m_1).

8.2.2.5 Expression of results

The wettability, X_1 , expressed as a percentage mass fraction of product, is given by the following equation:

$$X_1 = \frac{100 \times (m_0 - m_1)}{m_0} \quad (1)$$

where

m_0 is the mass, in grams, of the test sample;

m_1 is the mass, in grams, of the test sample retained on the test sieve.

8.2.3 Bulk density packed

8.2.3.1 Principle

The bulk density packed of granular activated carbon is determined by measuring the volume packed by a free fall from a vibrating feeder into a 100 ml graduated cylinder and weighing the known volume.

8.2.3.2 Apparatus

8.2.3.2.1 Test apparatus, as shown in Figure 1, including:

- graduated cylinder, 100 ml capacity;
- reservoir funnel, glass or metal;
- feed funnel, glass or metal, with stem inside diameter of 23,8 mm;
- metal vibrator made of galvanized sheet metal.

8.2.3.2.2 Drying oven capable of being controlled at $(150 \pm 5)^{\circ}\text{C}$.

8.2.3.2.3 Desiccator.

8.2.3.2.4 Balance having an accuracy of 0,1 g.

Dimensions in millimetres

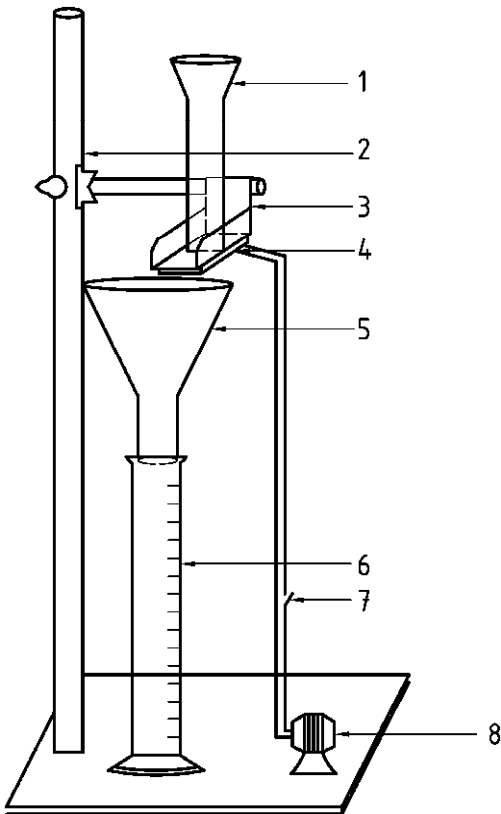


Figure 1a — Assembly of apparatus (not to scale)

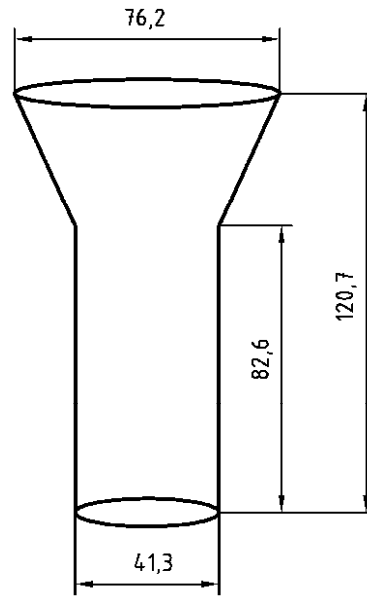


Figure 1c — Reservoir Funnel

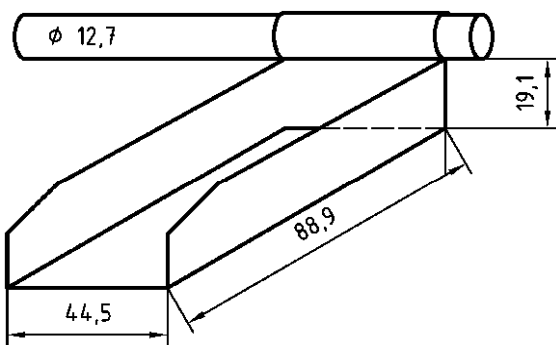


Figure 1b — Metal Vibrator

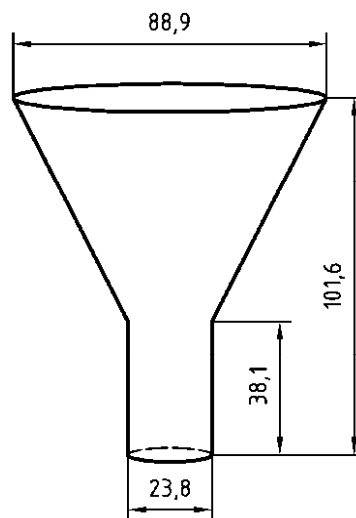


Figure 1d — Feed Funnel

Key

- | | | | |
|---|--|---|-----------------------------------|
| 1 | Reservoir funnel clamped to ring stand | 5 | Feed funnel clamped to ring stand |
| 2 | Ring stand | 6 | 100 ml graduated cylinder |
| 3 | Metal vibrator | 7 | Toggle switch |
| 4 | Door bell "buzzer" | 8 | Transformer |

Figure 1 — Bulk density packed test apparatus

8.2.3.3 Procedure

Dry an adequate test sample of granular activated carbon to constant mass at 150°C.

NOTE Products that exhibit shrinkage upon oven drying should have the density determined on an as-received basis with a correction made for water content.

Carefully place a representative sample of the granular activated carbon into the reservoir funnel so that the material does not flow prematurely into the graduated cylinder (if this occurs, return the material to the reservoir funnel). Add the sample to the cylinder using the vibrator feeder through the feed funnel. Fill the cylinder at a uniform rate between 0,75 ml/s and 1,0 ml/s up to the 100 ml mark; the rate can be adjusted by changing the slope of the metal vibrator or raising or lowering the reservoir funnel, or both. Transfer the contents of the cylinder to a balance pan and weigh to the nearest 0,1 g.

8.2.3.4 Expression of results

The bulk density (packed), X_2 , expressed in kilograms per cubic metre, is given by the following equation:

$$X_2 = 10 \times m_1 \quad (2)$$

where

m_1 is the mass, in grams of dried test sample in the cylinder;

NOTE If density is determined on an as-received basis, it is recommended to correct m_1 for water content using the formula:

$$\frac{m_1 \times (100 - X_4)}{100} \quad (3)$$

where

X_4 is the water content determined in 8.2.6, in mass fraction % of product.

8.2.3.5 Precision

8.2.3.5.1 Repeatability limit

The absolute difference between two single results, obtained under repeatability conditions, shall not exceed 2 % of the mean value.

8.2.3.5.2 Reproducibility limit

The absolute difference between two single results, obtained under reproducibility conditions, shall not exceed 4 % of the mean value.

8.2.4 Ball-pan hardness

8.2.4.1 Principle

A screened and weighed sample of granular activated carbon is placed in a special hardness pan with a number of stainless steel balls, then subjected to a combined rotating and tapping action for 30 min. Degradation of particle size is determined by measuring the mass of granular activated carbon retained by a sieve whose aperture is closest to half the aperture of the sieve that defines the minimum particle size of the original sample.

8.2.4.2 Apparatus

8.2.4.2.1 Mechanical sieve shaker, to produce from (140 to 160) taps and (280 to 320) rotating motions per minute in a stack of standard 200 mm diameter sieves.

8.2.4.2.2 Wire cloth sieves, 200 mm diameter, 50 mm tall. A set of six sieves is required, at least two of which shall have an aperture greater than the expected nominal size of the sample and at least two of which shall have an aperture less than the expected nominal particle size of the sample. One of the sieves, the "Hardness Test Sieve", shall have an aperture size as close as possible to half the aperture of the test sieve that defines the minimum particle size of the original sample. A bottom receiver pan and a sieve cover are also required.

8.2.4.2.3 Hardness test pan, specially constructed, consisting of a standard 200 mm x 50 mm round sieve frame with a solid metal plate instead of sieve wire. The metal plate shall be of 3,2 mm thickness half-hard cartridge brass or soft temper aluminium bronze, soldered into position in the sieve frame.

8.2.4.2.4 Adjustable interval timer, with a precision of at least ± 5 s and duration at least 600 s.

8.2.4.2.5 Soft brass-wire sieve brush.

8.2.4.2.6 Balance having an accuracy of 0,1 g.

8.2.4.2.7 Steel balls: fifteen ($12,7 \pm 0,1$) mm in diameter and fifteen ($9,5 \pm 0,1$) mm in diameter.

8.2.4.3 Procedure

8.2.4.3.1 Determination of test particle size range

From the particle size distribution (determined in 8.2.1), determine the test particle size range, expressed in sieve aperture sizes: the smaller size allowing not more than a mass fraction of 5 % of the particles to pass through, and the larger size retaining not more than a mass fraction of 5 % of the particles.

8.2.4.3.2 Hardness test

Screen a 125 ml sample of granular activated carbon to the test particle size range. Discard the fraction below the smaller sieve aperture size and the fraction above the larger sieve aperture size. Screen further material if necessary to obtain at least 100 ml within the test particle size range.

Measure out 100 ml of screened sample into a tared graduated cylinder (using the method described in 8.2.3 for determination of bulk density packed). Weigh to the nearest 0,1 g (m_0).

Place the hardness pan (8.2.4.2.3) on the bottom receiver pan. Pour the screened and weighed sample into the hardness pan and add the steel balls (8.2.4.2.7).

Complete the stack of sieves by stacking five full-height sieves and the sieve cover on top of the hardness pan.

NOTE The extra sieves serve only to form a stack which fills the shaker, avoiding changes in tapping action and readjustment of the sieve stack retainer.

Place the sieve stack in the sieve shaker (8.2.4.2.1) and shake for $(30 \pm 0,5)$ min, with the tapping hammer operating. At the end of the shaking period, remove the sieve stack from the sieve shaker and remove the hardness pan from the sieve stack.

Place the hardness test sieve (defined in 8.2.4.2.2) on top of the receiving pan. Remove the steel balls from the hardness pan and transfer the sample to the hardness test sieve, brushing adhering particles into the sieve. Stack the five sieves and sieve cover on top of the hardness test sieve and receiving pan, and replace the stack in the sieve shaker. Shake with the hammer operating for $10 \text{ min} \pm 10 \text{ s}$.

At the end of the shaking period, remove the sieve stack from the sieve shaker and transfer the remainder of the sample on the hardness test sieve to a tared weighing pan. Weigh to the nearest 0,1 g (m_1). Sweep the contents of the receiver pan into a tared weighing dish and weigh to the nearest 0,1 g (m_2).

8.2.4.4 Expression of results

The ball-pan hardness number, X_3 , is given by the following equation:

$$X_3 = \frac{100 \times m_1}{m_0} \quad (4)$$

where

m_0 is the mass, in grams, of the test sample loaded onto the hardness pan;

m_1 is the mass, in grams, of the test sample retained on the hardness test sieve.

As a check on the accuracy of the test, calculate the check hardness number, X_c , using the following equation:

$$X_c = 100 \times \left(1 - \frac{m_2}{m_0} \right) \quad (5)$$

where

m_0 is the mass, in grams of test sample loaded onto the hardness pan;

m_2 is the mass, in grams of test sample retained on the receiver pan.

If X_c differs from X_3 by more than 2 %, a significant amount of carbon is not accounted for, and the test shall be repeated.

8.2.4.5 Precision

Repeatability limit

For samples with hardness numbers near 100, the absolute difference between two single results, obtained under repeatability conditions, shall not exceed the repeatability limit, r , in more than 1 in 20 cases.

$$r = 0,4 \times X_3 \quad (6)$$

NOTE It is difficult to evaluate the precision of the method, owing to the substantial variation in hardness within a batch of granular activated carbon.

8.2.5 Ash

The ash shall be determined in accordance with EN 12902.

8.2.6 Water content

The water content shall be determined in accordance with EN 12902, drying the sample at 150°C.

8.2.7 Water-soluble material

The content of water-soluble material shall be determined in accordance with EN 12902.

8.2.8 Content of zinc

The content of zinc shall be determined in accordance with EN 12902.

8.2.9 Water-extractable substances

The content of water-extractable substances shall be determined in accordance with the method for granular materials in EN 12902.

8.2.10 Iodine number

The iodine number shall be determined in accordance with EN 12902.

9 Labelling, transportation and storage

9.1 Means of delivery

Granular activated carbon shall be delivered in paper sacks (10 kg to 25 kg), semi-bulk containers (polypropylene bags, metal or cardboard drums, or corrugated boxes of 200 kg to 800 kg), or in bulk (up to 50 m³).

In order that the purity of the product is not affected, the means of delivery shall not have been used previously for any different product or it shall have been specially cleaned and prepared before use.

9.2 Risk and safety labelling according to the EU directives³⁾

At the date of publication of this European Standard, granular activated carbon was not listed as a dangerous substance.

NOTE Annex I of the Directive 67/548/EEC on Classification, packaging and labelling of dangerous substances and its amendments and adaptations in the European Union contains a list of substances classified by the EU. Substances in this annex I should be classified on the basis of their intrinsic properties according to the criteria in the Directive by the person responsible for the marketing of the substance.

3) See [1].

9.3 Transportation regulations and labelling

At the date of publication of this European Standard, steam activated granular activated carbon was not a dangerous cargo.

Chemically activated granular activated carbon is listed as:

- UN Number⁴⁾: 1362;
- RID⁵⁾/ ADR⁶⁾/ IMDG⁷⁾: class 4.2;
- IATA⁸⁾: Prohibited.

9.4 Marking

The marking shall include the following:

- the name "Virgin granular activated carbon", trade name and commercial grade;
- the net mass;
- the name and the address of the supplier and/or manufacturer;
- the statement "this product conforms to EN 12915-1".

9.5 Storage

9.5.1 Long term stability

The product is stable but hygroscopic. It can be stored for an unlimited time if kept dry and away from volatile materials.

9.5.2 Storage incompatibilities

The product shall be kept away from oxidants (e.g. hydrogen peroxide, potassium permanganate, chlorates, nitrates), volatile solvents and moisture.

NOTE Local regulations could apply to bulk storage (e.g. in silos).

4) United Nations Number.

5) Regulations concerning international carriage of dangerous goods by rail.

6) European Agreement concerning international carriage of dangerous goods by road.

7) International maritime transport of dangerous goods.

8) International Air Transport Association.

Annex A (informative)

General information on granular activated carbon

A.1 Origin

A.1.1 Raw materials

Granular activated carbon can be produced from virtually any carbonaceous material, e.g. coal, lignite, peat, coconut shell and wood.

A.1.2 Manufacturing process

The carbonaceous material is subjected to controlled oxidation during which a highly porous structure is developed.

The raw material is prepared, e.g. by pulverizing, mixing with a binder, compression into briquettes, crushing and sieving, to extract the desired particle size. This is then activated, thermally (most common) or chemically. Thermal activation involves heating to between 800°C and 1 100°C in the presence of an oxidizing gas (usually steam) under carefully controlled conditions for several hours. Chemical activation involves heating to between 400°C and 700°C in the presence of a dehydrating agent (e.g. phosphoric acid). The resulting granular activated carbon is then cooled and packaged.

A.2 Composition

A.2.1 Particle size grading

Irregular (non-moulded) granular activated carbon commonly has a mean particle size in the range 0,25 mm to 4,0 mm; for example available grades include 0,315 mm to 1,0 mm, 0,8 mm to 2,0 mm, 0,4 mm to 1,7 mm, 1,0 mm to 3,15 mm.

Moulded/extruded products typically consist of particles of diameter 0,5 mm to 1,5 mm and length 0,5 mm to more than 4,0 mm.

A.2.2 Density

The absolute density of the material is approximately 2,1 g/cm³.

The bed density (backwashed and drained) is usually in the range of 85 % to 93 % of the bulk density packed.

A.2.3 Chemical composition

The content of carbon is generally not less than a mass fraction of 75 % on a water-free basis; the carbon content is not an indicator of adsorption properties. Other major components are ash (up to a mass fraction of 15 %), water (up to a mass fraction of 5 %) and impurities volatile at activation temperatures.

Indicative values for the total concentrations of metals in granular activated carbon are given in Table A.1. The actual concentrations will depend on the type and source of raw material, manufacturing conditions and methods of sampling and analysis. Only a fraction of the total metals content is water-extractable.

Table A.1 — Total content of metals

Metal	Typical content in mg/kg of the product		
Arsenic (As)	1	to	35
Cadmium (Cd)	< 0,1	to	0,5
Chromium (Cr)	1	to	30
Mercury (Hg)	< 0,1		
Nickel (Ni)	2	to	20
Lead (Pb)	0,1	to	10
Antimony (Sb)	< 0,5	to	4
Selenium (Se)	0,1	to	2

6.2.3 specifies the maximum quantities of water-extractable substances determined according to EN 12902. Studies have shown that metals concentrations decrease over the operational life of a granular activated carbon filter [2]. In the test method concentrations are determined on the third bed volume of water treated whereas the practical life of a filter is commonly 50 000 to 100 000 bed volumes. In addition, when commissioning a granular activated carbon filter it is common practice to divert the filtrate to waste for a sufficient period to ensure that leachable impurity concentrations are acceptably low. In practice, therefore, the concentrations of these substances in water treated using granular activated carbon are substantially lower than the maximum concentrations specified in 6.2.3.

A.2.4 Adsorption properties

Granular activated carbon removes contaminants from water by adsorption. A number of indices are used as surrogates for or measures of the adsorptive capacity of granular activated carbon under specific conditions.

In addition to Iodine Number (Clause 7), indices which may be specified include:

- specific surface area (BET isotherm);
- phenol number;
- molasses number;
- tannin number;
- methylene blue number.

Specifications for such properties can be the subject of agreement between the customer and the manufacturer/supplier and the latter should make test methods available if requested so that quality checks can be performed by the customer.

A.3 Hydraulic characteristics

A.3.1 Interstitial volume

The interstitial volume of granular activated carbon is approximately a volume fraction of 0,4.

A.3.2 Headloss during filtration

Headloss depends on size, shape and roughness of particles, filtration rate, filter bed depth, and water temperature.

A.3.3 Expansion during up-flow washing

Expansion during washing depends on flow rate, effective size, density, shape and roughness, and water temperature.

A.4 Use

A.4.1 Function

The primary function of granular activated carbon is as an adsorbent for the removal of trace organic contaminants (e.g. pesticides, chlorinated solvents, oils), taste- and odour- producing compounds and trihalomethane precursors. It can be used for the removal of excess oxidants such as chlorine, ozone and permanganate. Granular activated carbon can be used to prevent fouling of resins and/or membranes. It can also be used as a support for active biomass ('Biological Activated Carbon').

If granular activated carbon is used as a filter medium for removal of suspended solids, specific tests related to the performance of filter media might have to be carried out.

A.4.2 Treatment dose

The usage of granular activated carbon is usually expressed as bed life; i.e. volume of water treated between reactivations. The effective dose, E , expressed in milligrams per litre, of granular activated carbon can be calculated from the following equation:

$$E = \frac{M \times 10^6}{L} \quad (\text{A.1})$$

where

M is the mass, in tonnes, of granular activated carbon in the filter bed;

L is the bed life, expressed as volume, in cubic metres, of water treated.

The bed life depends on several factors including water quality and treatment objectives, filter design, filtration velocity and contact time.

A.4.3 Method of use

Granular activated carbon is used either in purpose built adsorbers or in existing filters. Water flows through the bed and dissolved impurities are removed by adsorption within the pores of the material. Physical filtration of suspended solids also occurs; trapped solids can be removed by backwashing at intervals. Once the concentration of the parameter(s) to be removed reaches some predetermined level in the treated water, the granular activated carbon is removed, reactivated, and replaced.

A.5 Rules for safe handling and use

It is recommended to handle the product so as to avoid dust formation.

Granular activated carbon preferentially removes oxygen from air. In closed or partially closed containers and vessels, oxygen depletion can reach hazardous levels. If workers are to enter a vessel containing carbon, appropriate sampling and work procedures for potentially low-oxygen areas should be followed.

A.6 Emergency procedures

A.6.1 First aid

In case of skin contact, it is recommended to wash with soap and water.

In case of eye contact, it is recommended to flush with plenty of water for 15 min.

In case of inhalation, it is recommended to move to fresh air.

A.6.2 Spillage

It is recommended to sweep or to vacuum unused carbon and to discard in a refuse container or repackage.

A.6.3 Fire

Any extinguishing media can be used; it is recommended to use foam extinguishers.

Self-contained breathing apparatus should be worn because carbon dioxide and carbon monoxide can be produced during combustion.

Bibliography

- [1] 67/548/EEC, *Council Directive of 27th June 1967 on the approximation of the laws, regulations and administrative provisions relating to the classification, packaging and labelling of dangerous substances and its amendments and adaptations*
- [2] Hobby, R. and Gimbel, R., *Untersuchungen zur Arsen- und Schwermetallabgabe von Aktivkohlen bei der Trinkwasseraufbereitung. gwf Wasser Abwasser, 1999, 140(10), 712-716*
- [3] 98/83/EC, *Council Directive of 25th December 1998 on the quality of water intended for human consumption*

BSI - British Standards Institution

BSI is the independent national body responsible for preparing British Standards. It presents the UK view on standards in Europe and at the international level. It is incorporated by Royal Charter.

Revisions

British Standards are updated by amendment or revision. Users of British Standards should make sure that they possess the latest amendments or editions.

It is the constant aim of BSI to improve the quality of our products and services. We would be grateful if anyone finding an inaccuracy or ambiguity while using this British Standard would inform the Secretary of the technical committee responsible, the identity of which can be found on the inside front cover. Tel: +44 (0)20 8996 9000. Fax: +44 (0)20 8996 7400.

BSI offers members an individual updating service called PLUS which ensures that subscribers automatically receive the latest editions of standards.

Buying standards

Orders for all BSI, international and foreign standards publications should be addressed to Customer Services. Tel: +44 (0)20 8996 9001. Fax: +44 (0)20 8996 7001 Email: orders@bsigroup.com You may also buy directly using a debit/credit card from the BSI Shop on the Website <http://www.bsigroup.com/shop>

In response to orders for international standards, it is BSI policy to supply the BSI implementation of those that have been published as British Standards, unless otherwise requested.

Information on standards

BSI provides a wide range of information on national, European and international standards through its Library and its Technical Help to Exporters Service. Various BSI electronic information services are also available which give details on all its products and services. Contact Information Centre. Tel: +44 (0)20 8996 7111 Fax: +44 (0)20 8996 7048 Email: info@bsigroup.com

Subscribing members of BSI are kept up to date with standards developments and receive substantial discounts on the purchase price of standards. For details of these and other benefits contact Membership Administration. Tel: +44 (0)20 8996 7002 Fax: +44 (0)20 8996 7001 Email: membership@bsigroup.com

Information regarding online access to British Standards via British Standards Online can be found at <http://www.bsigroup.com/BSOL>

Further information about BSI is available on the BSI website at <http://www.bsigroup.com>.

Copyright

Copyright subsists in all BSI publications. BSI also holds the copyright, in the UK, of the publications of the international standardization bodies. Except as permitted under the Copyright, Designs and Patents Act 1988 no extract may be reproduced, stored in a retrieval system or transmitted in any form or by any means – electronic, photocopying, recording or otherwise – without prior written permission from BSI.

This does not preclude the free use, in the course of implementing the standard, of necessary details such as symbols, and size, type or grade designations. If these details are to be used for any other purpose than implementation then the prior written permission of BSI must be obtained.

Details and advice can be obtained from the Copyright and Licensing Manager. Tel: +44 (0)20 8996 7070 Email: copyright@bsigroup.com