

BS EN 12377:2014



BSI Standards Publication

# Packaging — Flexible tubes — Test method for the air tightness of closures

**bsi.**

...making excellence a habit.™

**National foreword**

This British Standard is the UK implementation of EN 12377:2014. It supersedes BS EN 12377:1999 which is withdrawn.

The UK participation in its preparation was entrusted to Technical Committee PKW/0/-/10, Packaging - Plastics.

A list of organizations represented on this committee can be obtained on request to its secretary.

This publication does not purport to include all the necessary provisions of a contract. Users are responsible for its correct application.

© The British Standards Institution 2014. Published by BSI Standards Limited 2014

ISBN 978 0 580 81512 6

ICS 55.120

**Compliance with a British Standard cannot confer immunity from legal obligations.**

This British Standard was published under the authority of the Standards Policy and Strategy Committee on 30 November 2014.

**Amendments issued since publication**

Date	Text affected
------	---------------

---

EUROPEAN STANDARD

**EN 12377**

NORME EUROPÉENNE

EUROPÄISCHE NORM

October 2014

ICS 55.120

Supersedes EN 12377:1998

English Version

## Packaging - Flexible tubes - Test method for the air tightness of closures

Emballage - Tubes souples - Méthode d'essai de détermination de l'étanchéité à l'air des bouchons d'obturation

Packmittel - Tuben - Prüfverfahren zur Bestimmung der Luftdichtheit der Verschlüsse

This European Standard was approved by CEN on 27 September 2014.

CEN members are bound to comply with the CEN/CENELEC Internal Regulations which stipulate the conditions for giving this European Standard the status of a national standard without any alteration. Up-to-date lists and bibliographical references concerning such national standards may be obtained on application to the CEN-CENELEC Management Centre or to any CEN member.

This European Standard exists in three official versions (English, French, German). A version in any other language made by translation under the responsibility of a CEN member into its own language and notified to the CEN-CENELEC Management Centre has the same status as the official versions.

CEN members are the national standards bodies of Austria, Belgium, Bulgaria, Croatia, Cyprus, Czech Republic, Denmark, Estonia, Finland, Former Yugoslav Republic of Macedonia, France, Germany, Greece, Hungary, Iceland, Ireland, Italy, Latvia, Lithuania, Luxembourg, Malta, Netherlands, Norway, Poland, Portugal, Romania, Slovakia, Slovenia, Spain, Sweden, Switzerland, Turkey and United Kingdom.



EUROPEAN COMMITTEE FOR STANDARDIZATION  
COMITÉ EUROPÉEN DE NORMALISATION  
EUROPÄISCHES KOMITEE FÜR NORMUNG

**CEN-CENELEC Management Centre: Avenue Marnix 17, B-1000 Brussels**

## Contents

Page

Foreword.....	3
1 <b>Scope</b> .....	4
2 <b>Principle</b> .....	4
3 <b>Apparatus</b> .....	4
4 <b>Procedure</b> .....	4
5 <b>Test report</b> .....	4
<b>Bibliography</b> .....	6

## Foreword

This document (EN 12377:2014) has been prepared by Technical Committee CEN/TC 261 "Packaging", the secretariat of which is held by AFNOR.

This European Standard shall be given the status of a national standard, either by publication of an identical text or by endorsement, at the latest by April 2015, and conflicting national standards shall be withdrawn at the latest by April 2015.

Attention is drawn to the possibility that some of the elements of this document may be the subject of patent rights. CEN [and/or CENELEC] shall not be held responsible for identifying any or all such patent rights.

This document supersedes EN 12377:1998.

The main significant changes are:

- precision is given on how to conduct the test following the immersion of the tube in water has been included;
- a Note is also added related to the low-viscosity products.

According to the CEN-CENELEC Internal Regulations, the national standards organizations of the following countries are bound to implement this European Standard: Austria, Belgium, Bulgaria, Croatia, Cyprus, Czech Republic, Denmark, Estonia, Finland, Former Yugoslav Republic of Macedonia, France, Germany, Greece, Hungary, Iceland, Ireland, Italy, Latvia, Lithuania, Luxembourg, Malta, Netherlands, Norway, Poland, Portugal, Romania, Slovakia, Slovenia, Spain, Sweden, Switzerland, Turkey and the United Kingdom.

## 1 Scope

This European Standard specifies a test method for airtightness of the closures for flexible tubes.

It is applicable to flexible single-layer metal or plastics tubes and multilayer or laminated tubes used for packing pharmaceutical, cosmetic, hygiene, food and other domestic and industrial products.

## 2 Principle

The detection of air bubbles escaping from the cap, when the tube is held under water and subjected to an internal air pressure of 0,25 bar.

## 3 Apparatus

**3.1** Air compressor with an initial minimum pressure of 2 bar, equipped with an air regulator allowing a constant and stable pressure of  $0,25 \pm 0,01$  bar.

**3.2** Manometer accurate to 0,01 bar.

**3.3** Conical connector, adapted to the diameter of the tube, which allows the attachment of the open end of the tube to the compressed air source without leaks.

**3.4** Transparent glass container of a size such as to allow the head of the tube to be immersed in water.

## 4 Procedure

The test shall be carried out on the capped tube at an ambient temperature of between 10 °C and 25 °C.

Attach the open end of the tube to the compressed air source with the conical connector (see Figure 1).

Set the air regulator so as to maintain an air pressure of  $(0,25 \pm 0,01)$  bar inside the tube.

Immerse the head of the tube in the water ensuring that the cap is totally immersed for at least 3 s.

During the test period some bubbles might occur shortly after immersing the tube into the water due to air which is present under the closure before immersing the tube. After a test period of 3 s without bubbles, the tube closure is considered to be tight.

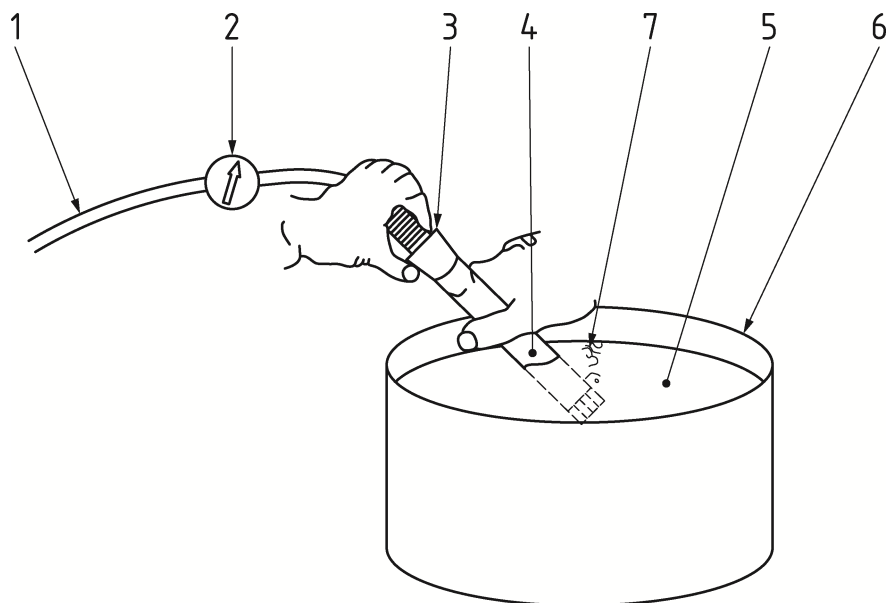
NOTE: For some low-viscosity products air tightness of 0,25 bar does not guarantee no leakage of the product. The filler has to assure that the tolerances laid down in this standard are appropriate for the product.

## 5 Test report

The test report shall contain the following information:

- a) reference to this standard and if necessary a specification for the method of sampling and the acceptance of the batch;
- b) complete identification of the batch and of the tubes tested;
- c) number of tubes tested;

- d) number of defects;
- e) if applicable, acceptance or refusal of the batch in accordance with specifications (see a));
- f) all factors which could have affected the results, or all operating details not specified in this European Standard;
- g) date of test;
- h) name of the tester.



**Key**

- 1 compressed air line infeed
- 2 manometer gauge
- 3 conical applicator
- 4 tube under test
- 5 water
- 6 transparent glass container
- 7 air bubbles

**Figure 1 — Diagram of the test device**

## Bibliography

EN 12374, *Packaging - Flexible tubes - Terminology*





# British Standards Institution (BSI)

BSI is the national body responsible for preparing British Standards and other standards-related publications, information and services.

BSI is incorporated by Royal Charter. British Standards and other standardization products are published by BSI Standards Limited.

## About us

We bring together business, industry, government, consumers, innovators and others to shape their combined experience and expertise into standards-based solutions.

The knowledge embodied in our standards has been carefully assembled in a dependable format and refined through our open consultation process. Organizations of all sizes and across all sectors choose standards to help them achieve their goals.

## Information on standards

We can provide you with the knowledge that your organization needs to succeed. Find out more about British Standards by visiting our website at [bsigroup.com/standards](http://bsigroup.com/standards) or contacting our Customer Services team or Knowledge Centre.

## Buying standards

You can buy and download PDF versions of BSI publications, including British and adopted European and international standards, through our website at [bsigroup.com/shop](http://bsigroup.com/shop), where hard copies can also be purchased.

If you need international and foreign standards from other Standards Development Organizations, hard copies can be ordered from our Customer Services team.

## Subscriptions

Our range of subscription services are designed to make using standards easier for you. For further information on our subscription products go to [bsigroup.com/subscriptions](http://bsigroup.com/subscriptions).

With **British Standards Online (BSOL)** you'll have instant access to over 55,000 British and adopted European and international standards from your desktop. It's available 24/7 and is refreshed daily so you'll always be up to date.

You can keep in touch with standards developments and receive substantial discounts on the purchase price of standards, both in single copy and subscription format, by becoming a **BSI Subscribing Member**.

**PLUS** is an updating service exclusive to BSI Subscribing Members. You will automatically receive the latest hard copy of your standards when they're revised or replaced.

To find out more about becoming a BSI Subscribing Member and the benefits of membership, please visit [bsigroup.com/shop](http://bsigroup.com/shop).

With a **Multi-User Network Licence (MUNL)** you are able to host standards publications on your intranet. Licences can cover as few or as many users as you wish. With updates supplied as soon as they're available, you can be sure your documentation is current. For further information, email [bsmusales@bsigroup.com](mailto:bsmusales@bsigroup.com).

## BSI Group Headquarters

389 Chiswick High Road London W4 4AL UK

## Revisions

Our British Standards and other publications are updated by amendment or revision.

We continually improve the quality of our products and services to benefit your business. If you find an inaccuracy or ambiguity within a British Standard or other BSI publication please inform the Knowledge Centre.

## Copyright

All the data, software and documentation set out in all British Standards and other BSI publications are the property of and copyrighted by BSI, or some person or entity that owns copyright in the information used (such as the international standardization bodies) and has formally licensed such information to BSI for commercial publication and use. Except as permitted under the Copyright, Designs and Patents Act 1988 no extract may be reproduced, stored in a retrieval system or transmitted in any form or by any means – electronic, photocopying, recording or otherwise – without prior written permission from BSI. Details and advice can be obtained from the Copyright & Licensing Department.

## Useful Contacts:

### Customer Services

**Tel:** +44 845 086 9001

**Email (orders):** [orders@bsigroup.com](mailto:orders@bsigroup.com)

**Email (enquiries):** [cservices@bsigroup.com](mailto:cservices@bsigroup.com)

### Subscriptions

**Tel:** +44 845 086 9001

**Email:** [subscriptions@bsigroup.com](mailto:subscriptions@bsigroup.com)

### Knowledge Centre

**Tel:** +44 20 8996 7004

**Email:** [knowledgecentre@bsigroup.com](mailto:knowledgecentre@bsigroup.com)

### Copyright & Licensing

**Tel:** +44 20 8996 7070

**Email:** [copyright@bsigroup.com](mailto:copyright@bsigroup.com)



...making excellence a habit.™