

Non-destructive testing — Ultrasonic examination — Specification for calibration block No.1

The European Standard EN 12223:1999 has the status of a
British Standard

ICS 19.100

National foreword

This British Standard is the official English language version of EN 12223:1999. Together with BS EN 27963:1992 it supersedes BS 2704:1978 which is withdrawn.

The UK participation in its preparation was entrusted to Technical Committee WEE/46, Non-destructive testing, which has the responsibility to:

- aid enquirers to understand the text;
- present to the responsible European committee any enquiries on the interpretation, or proposals for change, and keep the UK interests informed;
- monitor related international and European developments and promulgate them in the UK.

A list of organizations represented on this committee can be obtained on request to its secretary.

Cross-references

The British Standards which implement international or European publications referred to in this document may be found in the BSI Standards Catalogue under the section entitled “International Standards Correspondence Index”, or by using the “Find” facility of the BSI Standards Electronic Catalogue.

A British Standard does not purport to include all the necessary provisions of a contract. Users of British Standards are responsible for their correct application.

Compliance with a British Standard does not of itself confer immunity from legal obligations.

Summary of pages

This document comprises a front cover, an inside front cover, the EN title page, pages 2 to 10, an inside back cover and a back cover.

The BSI copyright notice displayed in this document indicates when the document was last issued.

Amendments issued since publication

Amd. No.	Date	Comments

This British Standard, having been prepared under the direction of the Engineering Sector Committee, was published under the authority of the Standards Committee and comes into effect on 15 March 2000

© BSI 03-2000

ISBN 0 580 35679 5

EUROPEAN STANDARD

EN 12223

NORME EUROPÉENNE

EUROPÄISCHE NORM

December 1999

ICS 19.100

English version

Non-destructive testing – Ultrasonic examination – Specification for calibration block No. 1

Essais non destructifs - Contrôle par ultrasons -
Spécifications relatives au bloc d'étalonnage n° 1

Zerstörungsfreie Prüfung - Ultraschallprüfung -
Beschreibung des Kalibrierkörpers Nr 1

This European Standard was approved by CEN on 29 October 1999.

CEN members are bound to comply with the CEN/CENELEC Internal Regulations which stipulate the conditions for giving this European Standard the status of a national standard without any alteration. Up-to-date lists and bibliographical references concerning such national standards may be obtained on application to the Central Secretariat or to any CEN member.

This European Standard exists in three official versions (English, French, German). A version in any other language made by translation under the responsibility of a CEN member into its own language and notified to the Central Secretariat has the same status as the official versions.

CEN members are the national standards bodies of Austria, Belgium, Czech Republic, Denmark, Finland, France, Germany, Greece, Iceland, Ireland, Italy, Luxembourg, Netherlands, Norway, Portugal, Spain, Sweden, Switzerland and United Kingdom.



EUROPEAN COMMITTEE FOR STANDARDIZATION
COMITÉ EUROPÉEN DE NORMALISATION
EUROPÄISCHES KOMITEE FÜR NORMUNG

Central Secretariat: rue de Stassart, 36 B-1050 Brussels

Contents

	Page
Foreword.....	3
1 Scope.....	4
2 Normative references	4
3 Terms and definitions	4
4 Manufacture	4
5 Velocities.....	5
6 Marking.....	5
7 Certificate.....	5
8 Possible modifications to block no. 1.....	5
9 Existing blocks manufactured to other standards or specifications	6
Annex A (normative) Measurement of velocities.....	10

Foreword

This European Standard has been prepared by Technical Committee CEN/TC 138, Non-destructive testing, the Secretariat of which is held by AFNOR.

This European Standard shall be given the status of a national standard, either by publication of an identical text or by endorsement, at the latest by June 2000, and conflicting national standards shall be withdrawn at the latest by June 2000.

According to the CEN/CENELEC Internal Regulations, the national standards organizations of the following countries are bound to implement this European Standard: Austria, Belgium, Czech Republic, Denmark, Finland, France, Germany, Greece, Iceland, Ireland, Italy, Luxembourg, Netherlands, Norway, Portugal, Spain, Sweden, Switzerland and the United Kingdom.

1 Scope

This standard specifies requirements for the dimensions, material and manufacture of a steel block for calibrating ultrasonic flaw detection and inspection equipment used in manual testing. The calibration block dealt with in this standard is identified as calibration block No. 1 to distinguish it from other calibration blocks.

2 Normative references

This European Standard incorporates by dated or undated reference, provisions from other publications. These normative references are cited at the appropriate places in the text and the publications are listed hereafter. For dated references, subsequent amendments to or revisions of any of these publications apply to this European Standard only when incorporated in it by amendment or revision. For undated references the latest edition of the publication referred to applies.

prEN 1330-4:1999, *Non-destructive testing - Terminology - Part 4 : Terms used in ultrasonic testing*.

EN 10025+A1, *Hot rolled products of non-alloy structural steels - Technical delivery conditions (Includes amendment A1:1993)*.

3 Terms and definitions

For this standard the definitions given in prEN 1330-4:1999 apply.

4 Manufacture

4.1 Steel

Blocks shall be manufactured from steel grade S355JO specified in EN 10025 +A1.

4.2 Dimensions

The dimensions of calibration block No. 1 shall be as shown in figure 1.

NOTE This standard does not include any requirement for a plastics insert.

4.3 Machining, heat treatment and surface finish

Blocks shall be rough-machined to a dimension of 320 mm x 120 mm x 30 mm before heat treatment which shall consist of:

- austenitizing at 920 °C for 30 min;
- rapid cooling (quenching) in water;
- tempering by heating to 650 °C for 3 h; and then
- cooling in air.

All external surfaces shall be machined to an R_a value not greater than 0,8 μm . It is permissible to chromium plate or electroless nickel plate the surfaces of the block.

NOTE If chromium plating is used, care should be taken to use a thickness of plating that will avoid separation.

Prior to final machining, the block shall be proved free from internal discontinuities. For this purpose, an ultrasonic examination shall be carried out after the heat treatment, with a compressional wave probe of at least 10 MHz frequency and having a crystal size of 10 mm to 15 mm. The block shall be checked on the basis of all four long faces to cover the complete volume. With the probe positioned on the largest face of the block, the equipment gain shall be set to achieve a grain scatter noise of 10 % of the screen height. No echo shall have an amplitude greater than that of the grain scatter noise.

4.4 Reference marks

Reference marks shall be permanently marked as shown in figure 1 and in table 1.

5 Velocities

The velocities shall be measured as described in Annex A. The velocities shall be measured within a tolerance of $\pm 0,2\%$, i.e. with an uncertainty of ± 6 m/s for transverse waves and ± 12 m/s for compressional waves.

The measured longitudinal wave velocity, v_l , shall be $5\,920$ m/s ± 30 m/s and the transverse wave velocity, v_t , shall be $3\,255$ m/s ± 15 m/s.

6 Marking

The block shall be permanently marked in the area shown in figure 1, as follows:

- a) EN 12223;
- b) manufacturer's serial number and trade mark.

7 Certificate

A certificate shall be issued by the manufacturer for each block, detailing:

- a) statement that the block complies with EN 12223;
- b) the mean value of the measured longitudinal wave velocities, v_l ; see clause 5;
- c) the mean value of the measured transverse wave velocities, v_t ; see clause 5.

8 Possible modifications to block no. 1

8.1 General

If required the modifications in 8.2 to 8.4 may be made to the block.

8.2 Slots at zero point

One or two slots at the zero point can be provided, see figure 2, which will give calibrating signals at intervals of 100 mm.

8.3 Alternative reflector

An alternative reflector, in the form of a circular arc and accessible from the longer sides of the block, can be provided, see figure 3. This will give calibrating signals at beam path lengths of 25 mm, 225 mm, 350 mm, etc.

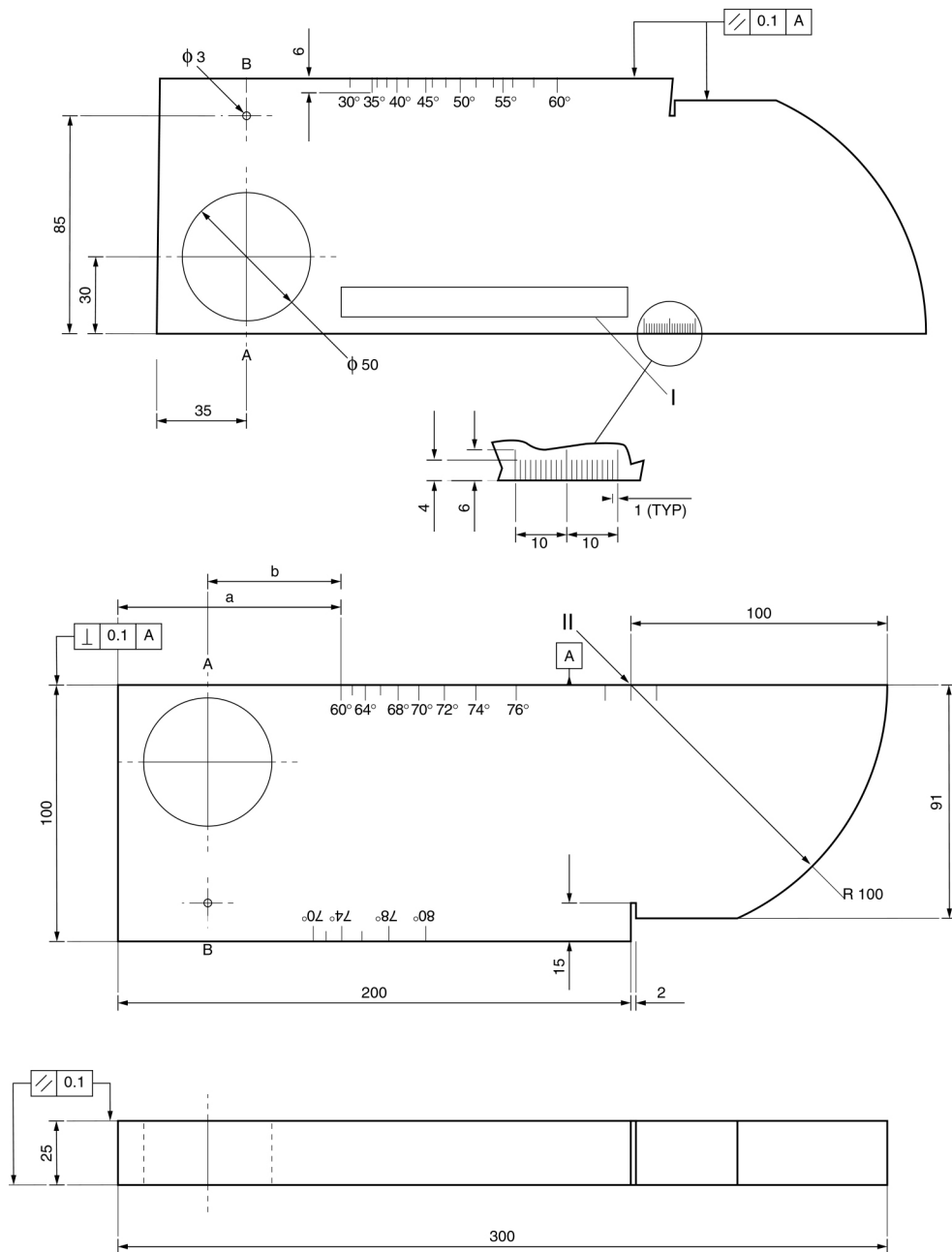
8.4 Greater block thicknesses

Blocks with greater thicknesses are permitted.

9 Existing blocks manufactured to other standards or specifications

Existing blocks fulfil the requirements of this standard provided that they meet the requirements on velocities (see clause 5) and dimensions (see 4.2) with the exception that the small drill hole may have a diameter of 1,5 mm.

After verification of the above parameters these blocks shall be marked in accordance with clause 6.

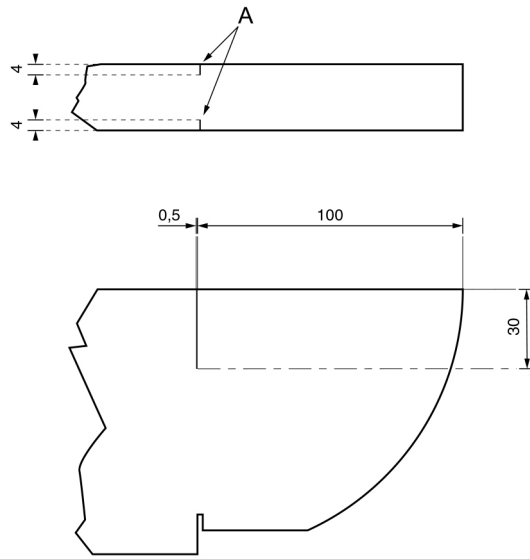


Key

- I Area for marking
- II Zero point

NOTE : Tolerances unless otherwise stated $\pm 0,10$ mm. Angle identification and index mark lengths $\pm 0,4$ mm. Angle indents should be in 5 mm high characters. Surface finish $0,8 \mu\text{m}$ all over.

Figure 1: Block dimensions



Key

A Machined slots

Figure 2: One or two zero point slots

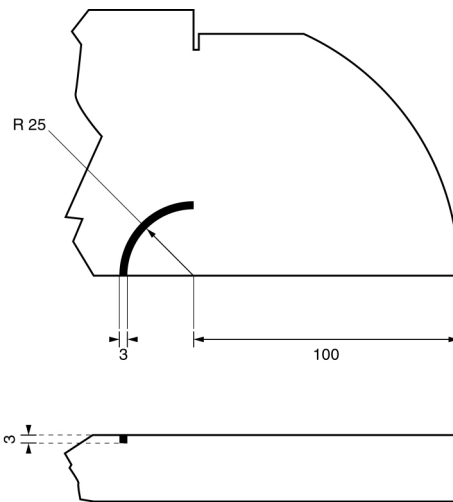


Figure 3: Alternative reflector

Table 1 – Indent distance

Distance <i>b</i> from hole A in mm	Distance <i>a</i> from the edge in mm	Indent with label	Indent without label
52,0	87,0	60 °	
56,4	91,4		62 °
61,5	96,5	64 °	
67,4	102,4		66 °
74,3	109,3	68 °	
82,4	117,4	70 °	
92,3	127,3	72 °	
104,6	139,6	74 °	
120,3	155,3	76 °	
Distance <i>b</i> from hole B in mm	Distance <i>a</i> from the edge in mm	Indent with label	Indent without label
41,2	76,2	70 °	
46,2	81,2		72 °
52,3	87,3	74 °	
60,2	95,2		76 °
70,6	105,6	78 °	
85,1	120,1	80 °	
Distance <i>b</i> from hole A in mm	Distance <i>a</i> from the edge in mm	Indent with label	Indent without label
40,4	75,4	30 °	
49,0	84,0	35 °	
50,9	85,9		36 °
56,7	91,7		39 °
58,7	93,7	40 °	
63,0	98,0		42 °
67,6	102,6		44 °
70,0	105,0	45 °	
72,5	107,5		46 °
77,7	112,7		48 °
83,4	118,4	50 °	
89,6	124,6		52 °
96,3	131,3		54 °
100,0	135,0	55 °	
103,8	138,8		56 °
112,0	147,0		58 °
121,2	156,2	60 °	

Annex A (normative)

Measurement of velocities

A.1 General

This method first measures the physical dimensions to an accuracy of 0,01 mm. The areas to be used are checked to ensure that there are no variations in thickness greater than 0,01 mm over the area of the probe face. An apparatus in conjunction with a straight beam probe is then used to measure the time-of-flight (to an accuracy in the measurement of time difference of 0,2 %). Velocities are then calculated (i.e. path/time)¹⁾. The time-of-flight is measured in different directions, i.e. at two well separated positions through the 25 mm thickness (one at the quadrant and one close to the large hole) and one position through the 100 mm thickness. The measurements shall be carried out at ambient temperature.

A.2 Longitudinal waves

Use a probe with frequency of at least 5 MHz, broadband pulse and having a crystal size of 10 mm to 15 mm diameter. Measure the time difference between the first and second backwall echoes.

A.3 Transverse waves

For all directions, use a 0° shear wave probe of frequency of 4 MHz to 5 MHz, broadband pulse, and having a crystal size of 10 mm to 15 mm diameter. Measure the time difference between the first and second backwall echoes.

Because shear waves are polarized, in each location of the probe make two measurements with the plane of polarization in the second measurement perpendicular to the first measurement and parallel to one side of the block. Therefore for each calibration block there are at least six values for shear wave velocity.

1) $1 \text{ mm}/\mu\text{s} = 1 \times 10^3 \text{ m/s}$.

BSI — British Standards Institution

BSI is the independent national body responsible for preparing British Standards. It presents the UK view on standards in Europe and at the international level. It is incorporated by Royal Charter.

Revisions

British Standards are updated by amendment or revision. Users of British Standards should make sure that they possess the latest amendments or editions.

It is the constant aim of BSI to improve the quality of our products and services. We would be grateful if anyone finding an inaccuracy or ambiguity while using this British Standard would inform the Secretary of the technical committee responsible, the identity of which can be found on the inside front cover. Tel: 020 8996 9000. Fax: 020 8996 7400.

BSI offers members an individual updating service called PLUS which ensures that subscribers automatically receive the latest editions of standards.

Buying standards

Orders for all BSI, international and foreign standards publications should be addressed to Customer Services. Tel: 020 8996 9001. Fax: 020 8996 7001.

In response to orders for international standards, it is BSI policy to supply the BSI implementation of those that have been published as British Standards, unless otherwise requested.

Information on standards

BSI provides a wide range of information on national, European and international standards through its Library and its Technical Help to Exporters Service. Various BSI electronic information services are also available which give details on all its products and services. Contact the Information Centre. Tel: 020 8996 7111. Fax: 020 8996 7048.

Subscribing members of BSI are kept up to date with standards developments and receive substantial discounts on the purchase price of standards. For details of these and other benefits contact Membership Administration. Tel: 020 8996 7002. Fax: 020 8996 7001.

Copyright

Copyright subsists in all BSI publications. BSI also holds the copyright, in the UK, of the publications of the international standardization bodies. Except as permitted under the Copyright, Designs and Patents Act 1988 no extract may be reproduced, stored in a retrieval system or transmitted in any form or by any means – electronic, photocopying, recording or otherwise – without prior written permission from BSI.

This does not preclude the free use, in the course of implementing the standard, of necessary details such as symbols, and size, type or grade designations. If these details are to be used for any other purpose than implementation then the prior written permission of BSI must be obtained.

If permission is granted, the terms may include royalty payments or a licensing agreement. Details and advice can be obtained from the Copyright Manager. Tel: 020 8996 7070.