

Pipe threads where pressure tight joints are made on the threads —

Part 2: Taper, external threads and taper internal threads — Dimensions, tolerances and designation

The European Standard EN 10226-2:2005 has the status of a
British Standard

ICS 21.040.30

National foreword

This British Standard is the official English language version of EN 10226-2:2005.

The UK participation in its preparation was entrusted to Technical Committee ISE/19, Pipe fittings (other than cast iron), which has the responsibility to:

- aid enquirers to understand the text;
- present to the responsible international/European committee any enquiries on the interpretation, or proposals for change, and keep UK interests informed;
- monitor related international and European developments and promulgate them in the UK.

A list of organizations represented on this committee can be obtained on request to its secretary.

Cross-references

The British Standards which implement international or European publications referred to in this document may be found in the *BSI Catalogue* under the section entitled “International Standards Correspondence Index”, or by using the “Search” facility of the *BSI Electronic Catalogue* or of British Standards Online.

This publication does not purport to include all the necessary provisions of a contract. Users are responsible for its correct application.

Compliance with a British Standard does not of itself confer immunity from legal obligations.

Summary of pages

This document comprises a front cover, an inside front cover, the EN title page, pages 2 to 13 and a back cover.

The BSI copyright notice displayed in this document indicates when the document was last issued.

Amendments issued since publication

Amd. No.	Date	Comments

This British Standard was published under the authority of the Standards Policy and Strategy Committee on 16 January 2006

© BSI 16 January 2006

ICS 21.040.30

English Version

**Pipe threads where pressure tight joints are made on the
threads - Part 2: Taper external threads and taper internal
threads - Dimensions, tolerances and designation**

Filetages de tuyauterie pour raccordement avec étanchéité
dans le filet - Partie 2: Filetages extérieurs coniques et
filetages intérieurs coniques - Dimensions, tolérances et
désignation

Rohrgewinde für im Gewinde dichtende Verbindungen - Teil
2: Kegelige Außengewinde und kegelige Innengewinde -
Maße, Toleranzen und Bezeichnung

This European Standard was approved by CEN on 27 June 2005.

CEN members are bound to comply with the CEN/CENELEC Internal Regulations which stipulate the conditions for giving this European Standard the status of a national standard without any alteration. Up-to-date lists and bibliographical references concerning such national standards may be obtained on application to the Central Secretariat or to any CEN member.

This European Standard exists in three official versions (English, French, German). A version in any other language made by translation under the responsibility of a CEN member into its own language and notified to the Central Secretariat has the same status as the official versions.

CEN members are the national standards bodies of Austria, Belgium, Cyprus, Czech Republic, Denmark, Estonia, Finland, France, Germany, Greece, Hungary, Iceland, Ireland, Italy, Latvia, Lithuania, Luxembourg, Malta, Netherlands, Norway, Poland, Portugal, Slovakia, Slovenia, Spain, Sweden, Switzerland and United Kingdom.



EUROPEAN COMMITTEE FOR STANDARDIZATION
COMITÉ EUROPÉEN DE NORMALISATION
EUROPÄISCHES KOMITEE FÜR NORMUNG

Management Centre: rue de Stassart, 36 B-1050 Brussels

Contents

	Page
Foreword	3
1 Scope	4
2 Normative references	4
3 Terms and definitions	4
4 Symbols and explanations	6
5 Dimensions	6
6 Designation	6
7 Thread design	8
7.1 Thread form	8
7.2 Thread lengths	9
8 Gauging	11
Bibliography	13

Foreword

This document (EN 10226-2:2005) has been prepared by Technical Committee ECISS/TC 29 "Steel tubes and fittings for steel tubes", the secretariat of which is held by UNI/UNSIDER.

This European Standard shall be given the status of a national standard, either by publication of an identical text or by endorsement, at the latest by February 2006, and conflicting national standards shall be withdrawn at the latest by February 2006.

This document has been prepared under a mandate given to CEN by the European Commission and the European Free Trade Association.

This document is based, with editorial modifications on ISO 7-1 "Pipe threads where pressure-tight joints are made on the threads - Part 1: Dimensions, tolerances and designation". Pipe threads to this document are dimensionally identical to and fully interchangeable with pipe threads to ISO 7-1.

This document has been prepared in three parts. Parts 1 and 2 reflect the two thread jointing systems in regular use in Europe and Worldwide - Part 1 details taper external and parallel internal pipe threads, and Part 2 details taper external and taper internal pipe threads. Part 3 will provide requirements for the gauging of pipe threads conforming to Parts 1 and 2.

The common requirements for the taper external pipe thread are given in Part 1 and in Part 2, so as to present the complete thread jointing system in each part.

Components having pipe threads produced to the dimensions and tolerances given in this European Standard can be assembled to give safe and effective pressure tight joints providing proper assembly techniques are used. The techniques used to assemble threaded joints are dependent on a number of factors including the internal thread (parallel or taper), the quality of the mating threads, the materials of the components being connected, the thread sealant or jointing compound used and the assembly torque.

Because of the different assembly techniques used for the taper / parallel and taper / taper systems, it is recommended that mixing of components having parallel internal threads and taper internal threads is avoided in the same piping system.

Relevant EN product or application standards will normally specify whether parallel and /or taper internal threads are permitted for these products or applications. Users should select the internal thread type to suit their product or application requirements.

According to the CEN/CENELEC Internal Regulations, the national standards organizations of the following countries are bound to implement this European Standard: Austria, Belgium, Cyprus, Czech Republic, Denmark, Estonia, Finland, France, Germany, Greece, Hungary, Iceland, Ireland, Italy, Latvia, Lithuania, Luxembourg, Malta, Netherlands, Norway, Poland, Portugal, Slovakia, Slovenia, Spain, Sweden, Switzerland and United Kingdom

1 Scope

This European Standard specifies the requirements for thread form, dimensions, tolerances and designation for joining pipe threads, sizes 1/16 to 6 inclusive, for joints made pressure-tight by the mating of the threads. These threads are taper external and taper internal and are intended for use with pipes suitable for threading and for valves, fittings or other pipeline equipment interconnected by threaded joints.

An appropriate thread sealant or jointing compound should be used on the thread to ensure pressure-tight joints.

NOTE 1 Threaded joints using taper external threads and parallel internal threads are detailed in EN 10226-1.

NOTE 2 The requirements for taper external threads are identical in EN 10226-1 and EN 10226-2.

NOTE 3 For pipe threads where pressure-tight joints are not made on the threads see EN ISO 228-1.

NOTE 4 EN 10226-3 gives details of recommended gauging systems for the verification of thread dimensions and thread form.

2 Normative references

The following referenced documents are indispensable for the application of this European Standard. For dated references, only the edition cited applies. For undated references, the latest edition of the referenced document (including any amendments) applies.

EN 10226-3, *Pipe threads where pressure-tight joints are made on the threads — Part 3: Verification by means of limit gauges*

3 Terms and definitions

For the purposes of this European Standard, the following terms and definitions apply (see also Figures 2 and 3).

NOTE For consistency and clarity, common terms and definitions have been adopted for EN 10226-1 and EN 10226-2. Consequently some definitions may include terms that seem inappropriate to this document.

3.1

gauge diameter

major diameter of the thread, whether external or internal, at the gauge plane

3.2

major cone

imaginary cone, which just touches the crests of a taper external thread or the roots of a taper internal thread

3.3

gauge plane

plane, perpendicular to the axis of the taper thread, at which the major cone has the gauge diameter

NOTE 1 For external threads the gauge plane is located at a distance equal to the gauge length from the small end of the thread.

NOTE 2 For taper internal threads; the gauge plane is located at a distance of half pitch behind the face of the threaded work piece. This distance has been agreed so that the position of the gauge plane on taper internal threads is consistent with parallel internal threads in EN 10226-1.

3.4

gauge length

on an external thread, the distance from the gauge plane to the small end of the thread, measured parallel to the axis

3.5**reference plane**

visible surface of the internally and externally threaded parts, which facilitates the reading of the gauge when the thread is inspected. For internal threads it is the face of the internally threaded part, for external threads it is the small end of the externally threaded part

3.6**complete thread**

part of the thread that is fully formed at both crest and root

NOTE When there is a chamfer at the start of the thread not exceeding one pitch in length, this is included in the length of the complete thread.

3.7**incomplete thread**

part of the thread that is fully formed at the root, but truncated at the crest by its intersection with the cylindrical surface of the product

3.8**washout thread**

part of the thread that is not fully formed at the root

NOTE The washout thread is produced by the bevel at the start of the threading tool.

3.9**useful thread**

complete thread plus incomplete thread, excluding the washout thread

NOTE In practice, the total length of useful external thread may be longer than is necessary depending on the production techniques used for producing the threads and the external diameter of the work piece. The provision of excessive lengths of useful external thread should be avoided.

3.10**assembly length**

useful thread length beyond the gauge plane of an external thread required to provide for assembly with an internal thread at the upper limit of the tolerance. It is inclusive of the wrenching length

NOTE 1 See also 7.2.2.

NOTE 2 This term is also known as "fitting allowance".

3.11**wrenching length**

useful thread length that is provided to accommodate the relative movement between the externally threaded part and the internally threaded part during the wrenching operation, following hand-tight engagement

NOTE This term is also known as "wrenching allowance".

3.12**accommodation length**

distance on internally threaded work pieces, from the face of the work piece to the first obstruction, which the externally threaded work piece will encounter on assembly

4 Symbols and explanations

Symbol	Meaning
R	Designation of taper external thread
Rc	Designation of taper internal thread
p	Pitch
H	Height of the triangle of the thread profile perpendicular to the thread axis
h	= $0,640\ 327P$; height of the thread profile between rounded crests and roots perpendicular to the thread axis
r	Radius of rounded crests and roots
D	Major diameter of the internal thread at the gauge plane (gauge diameter - see 3.1)
D_1	= $D - 1,280\ 654\ P$; minor diameter of the internal thread at the gauge plane
D_2	= $D - 0,640\ 327\ P$; pitch diameter of the internal thread at the gauge plane
d	Major diameter of the external thread at the gauge plane (gauge diameter - see 3.1)
d_1	= $d - 1,280\ 654\ P$; minor diameter of the external thread at the gauge plane
d_2	= $d - 0,640\ 327P$; pitch diameter of the external thread at the gauge plane
T_1	Tolerance on the gauge length of an external thread
T_2	Tolerance for the position of the gauge plane on an internal thread
L_a	Accommodation length (see 7.2.2)
L_i	Useful thread length for internally threaded workpieces (see 7.2.2)
L_e	Useful thread length for externally threaded workpieces (see 7.2.2)

5 Dimensions

Pipe thread dimensions are given in Table 1.

6 Designation

- 6.1** The designation of threads according to this document shall consist of the following elements in the sequence given:
- 6.2** The description block shall be:
- Pipe thread
- 6.3** The European Standard number block shall be:
- EN 10226

Table 1 — Dimensions

1	2	3	4	5	6	7	8	9	10	11	12	13	14	15	16	17	18	19	
Thread size	Number of threads in 25,4 mm	Pitch P mm	Height of thread h mm	Diameters at gauge plane			Gauge length (external thread)					Assembly length			Length of useful external thread L_e not less than			Tolerance on position of gauge plane on internal thread	
				Major (gauge diameter) $d=D$ mm	Pitch $d_2 = D_2$ mm	Minor $d_1 = D_1$ mm	Nominal mm	Tolerance $T_{1/2}$		min.		Turns of thread	For nominal gauge length mm	For maximum gauge length mm	For minimum gauge length mm	mm ^a	mm ^a	Tolerance $T_{1/2}$	Turns of thread
a	Turns of thread	max.	min.	mm	mm	mm	mm	mm	mm	mm	mm								
1/16	28	0,907	0,581	7,723	7,142	6,561	4	± 0,9	± 1	4,9	3,1	2,5	2,3/4	6,5	7,4	5,6	± 1,1	± 1.1/4	
1/8	28	0,907	0,581	9,728	9,147	8,566	4	± 0,9	± 1	4,9	3,1	2,5	2.3/4	6,5	7,4	5,6	± 1,1	± 1.1/4	
1/4	19	1,337	0,856	13,157	12,301	11,445	6	± 1,3	± 1	7,3	4,7	3,7	2.3/4	9,7	11	8,4	± 1,7	± 1.1/4	
3/8	19	1,337	0,856	16,662	15,806	14,950	6,4	± 1,3	± 1	7,7	5,1	3,7	2.3/4	10,1	11,4	8,8	± 1,7	± 1.1/4	
1/2	14	1,814	1,162	20,955	19,793	18,631	8,2	± 1,8	± 1	10,0	6,4	5,0	2.3/4	13,2	15	11,4	± 2,3	± 1.1/4	
3/4	14	1,814	1,162	26,441	25,279	24,117	9,5	± 1,8	± 1	11,3	7,7	5,0	2.3/4	14,5	16,3	12,7	± 2,3	± 1.1/4	
1	11	2,309	1,479	33,249	31,770	30,291	10,4	± 2,3	± 1	12,7	8,1	6,4	2.3/4	16,8	19,1	14,5	± 2,9	± 1.1/4	
1.1/4	11	2,309	1,479	41,910	40,431	38,952	12,7	± 2,3	± 1	15,0	10,4	6,4	2.3/4	19,1	21,4	16,8	± 2,9	± 1.1/4	
1.1/2	11	2,309	1,479	47,803	46,324	44,845	12,7	± 2,3	± 1	15,0	10,4	6,4	2.3/4	19,1	21,4	16,8	± 2,9	± 1.1/4	
2	11	2,309	1,479	59,614	58,135	56,656	15,9	± 2,3	± 1	18,2	13,6	7,5	3.1/4	23,4	25,7	21,1	± 2,9	± 1.1/4	
2.1/2	11	2,309	1,479	75,184	73,705	72,226	17,5	± 3,5	± 1.1/2	21,0	14,0	9,2	4	26,7	30,2	23,2	± 3,5	± 1.1/2	
3	11	2,309	1,479	87,884	86,405	84,926	20,6	± 3,5	± 1.1/2	24,1	17,1	9,2	4	29,8	33,3	26,3	± 3,5	± 1.1/2	
4	11	2,309	1,479	113,030	111,551	110,072	25,4	± 3,5	± 1.1/2	28,9	21,9	10,4	4.1/2	35,8	39,3	32,3	± 3,5	± 1.1/2	
5	11	2,309	1,479	138,430	136,951	135,472	28,6	± 3,5	± 1.1/2	32,1	25,1	11,5	5	40,1	43,6	36,6	± 3,5	± 1.1/2	
6	11	2,309	1,479	163,830	162,351	160,872	28,6	± 3,5	± 1.1/2	32,1	25,1	11,5	5	40,1	43,6	36,6	± 3,5	± 1.1/2	

NOTE The main dimensions were converted into millimetres on the basis of 1 inch = 25,4 mm, beginning with the number of threads per inch, which determines the pitch P , the formula h (the height of thread) = $0,640\ 327\ P$ and the major diameter at the gauge plane. Pitch diameter and minor diameter were then compiled by subtracting once or twice respectively the height of thread h from the major diameter. The nominal gauge length, the tolerances and the assembly length were directly computed. The remaining lengths given in Table 1 were obtained by subtracting or adding the tolerances or assembly length respectively to the nominal gauge length. Tolerances and assembly lengths are expressed in millimetres and in number of turns of thread.

^a Informative tolerances, in millimetres, are obtained from the mandatory values in turns of threads by multiplying with the corresponding pitch in column 3 and rounding to the nearest 0,1 mm.

EN 10226-2:2005 (E)

6.4 The individual item block shall be composed of:

- a) symbol for type of pipe thread;
 - a) R for external taper pipe thread;
 - b) Rc for internal taper pipe thread;
- b) the thread size, from column 1 of Table 1.

EXAMPLE The complete designation for a right-hand thread size 1 1/2:

External taper thread: **Pipe thread EN 10226 R 1 1/2**

Internal taper thread: **Pipe thread EN 10226 Rc 1 1/2**

6.5 For left hand threads, the letters LH shall be added to the designation. Right hand threads require no special designation.

7 Thread design

7.1 Thread form

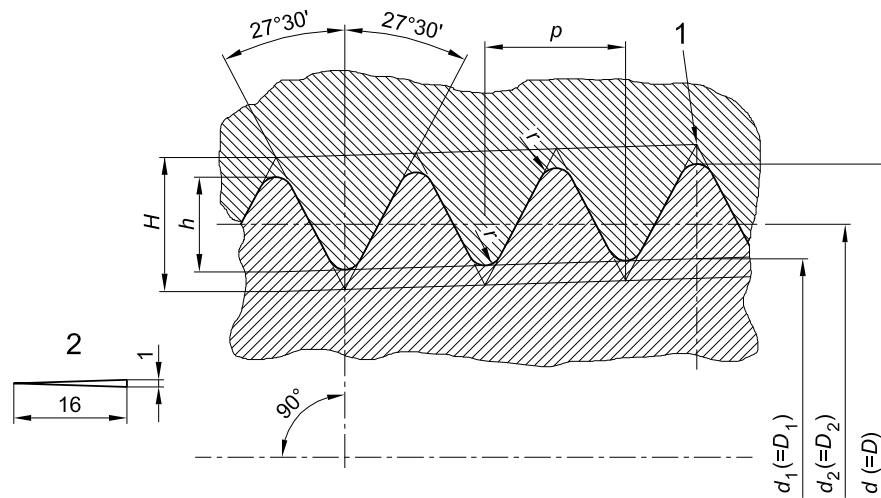
7.1.1 Direction of thread helix

Unless otherwise specified, the EN 10226-2 thread shall be a right-hand thread (see also 6.5).

7.1.2 Taper internal and external thread

The basic form of the taper pipe thread shall be as shown in Figure 1. The taper is 1 to 16 measured on the diameter. The angle between the flanks, measured in an axial plane section is 55°, the flanks making equal angles with the axis.

The thread profiles are rounded off equally at crests and roots by circular arcs blending tangentially with the flanks.



Key

1	gauge plane
2	taper
p	pitch
H	$0,960237p$
h	$0,640327p$
r	$0,137278p$

Figure 1 — Taper thread

7.2 Thread lengths

7.2.1 External thread

The terms relating to the external taper pipe thread are given in Figure 2.

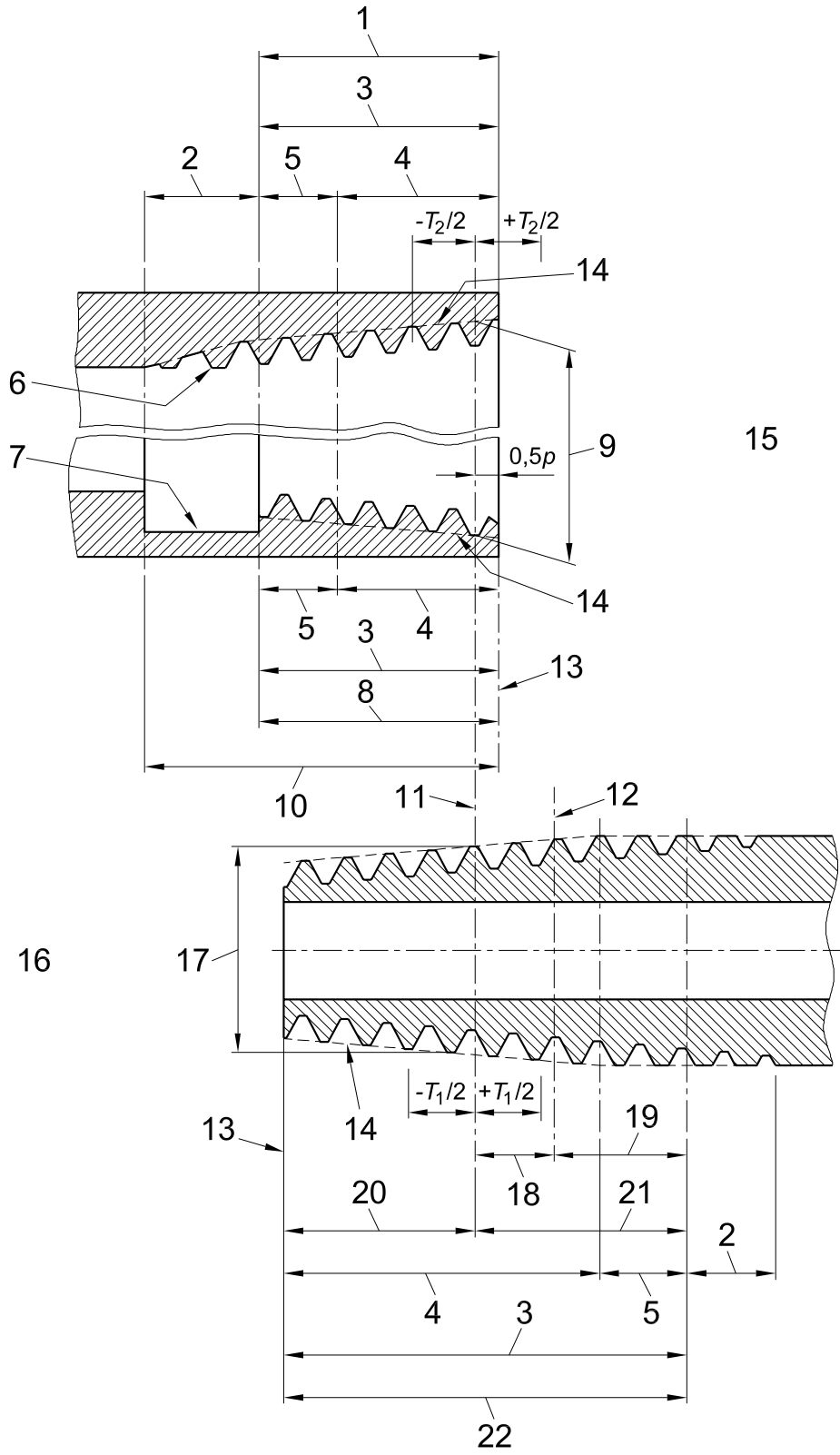
The useful thread length L_e , allowable in practice, is the sum of the lengths of the complete and incomplete threads, excluding the washout thread. The useful thread length shall not be less than the minimum gauge length plus the assembly length.

7.2.2 Internal thread

The terms relating to the internal taper pipe thread are given in Figure 2. The design of an internally threaded workpiece shall be such that the accommodation length L_a , and useful thread length L_i in the case of threads with free run out, can receive external threads up to the length given in column 16 of Table 1.

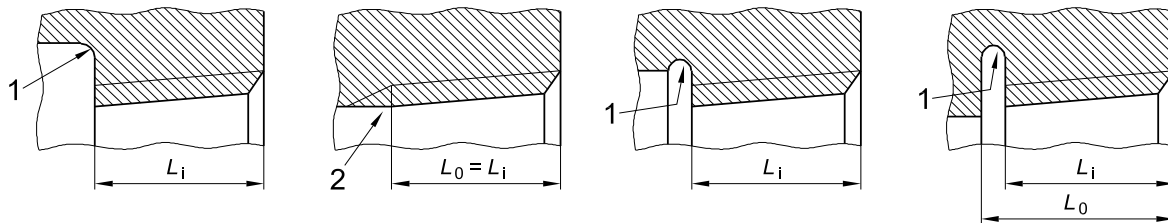
NOTE The actual value of the accommodation length and useful thread length in the case of threads without free run out, may be reduced from the length given in column 16 of Table 1 if the position of the gauge plane on the internal thread is adjusted accordingly (see columns 18 and 19 of Table 1)

Only in the case of internal threads with free run out, the useful thread length (see Figure 3) may be reduced to no less than 80 % of the value given in column 17 of Table 1.



Key

- 1 accommodation length (L_a)
- 2 washout thread
- 3 useful thread length (L_i)
- 4 complete threads (R_p)
- 5 incomplete threads
- 6 without free runout
- 7 with free runout
- 8 useful thread length
- 9 gauge diameter
- 10 accommodation length
- 11 gauge plane
- 12 face of internally threaded part at upper limit of tolerance, at hand tight condition
- 13 reference plane
- 14 major cone
- 15 taper internal threads (R_c)
- 16 taper external threads
- 17 gauge diameter (D)
- 18 length equivalent to positive tolerance on internal thread plus $0,5p$
- 19 wrenching length
- 20 gauge length
- 21 assembly length
- 22 useful thread length (not less than gauge length plus assembly length)

Figure 2 — Terms relating to pipe threads**Key**

- 1 with free runout
- 2 without free runout

Figure 3 — Typical designs of components with taper internal threads**8 Gauging**

The gauging system described in EN 10226-3 provides a practical verification of workpieces having pipe threads to this document.

EN 10226-2:2005 (E)

Other gauging systems may be used, but in this case the manufacturer shall demonstrate that the system used gives equivalent gauging results to those obtained using the gauges in EN 10226-3.

Bibliography

EN 10226-1, *Pipe threads where pressure tight joints are made on the threads — Part 1: Taper threads and parallel internal threads — Designation, dimensions and tolerances*

EN ISO 228-1, *Pipe threads where pressure-tight joints are not made on the threads — Part 1: Dimensions, tolerances and designation (ISO 228-1:2000)*

ISO 7-1, *Pipe threads where pressure-tight joints are made on the threads — Part 1: Dimensions, tolerances and designation*

BSI — British Standards Institution

BSI is the independent national body responsible for preparing British Standards. It presents the UK view on standards in Europe and at the international level. It is incorporated by Royal Charter.

Revisions

British Standards are updated by amendment or revision. Users of British Standards should make sure that they possess the latest amendments or editions.

It is the constant aim of BSI to improve the quality of our products and services. We would be grateful if anyone finding an inaccuracy or ambiguity while using this British Standard would inform the Secretary of the technical committee responsible, the identity of which can be found on the inside front cover.
Tel: +44 (0)20 8996 9000. Fax: +44 (0)20 8996 7400.

BSI offers members an individual updating service called PLUS which ensures that subscribers automatically receive the latest editions of standards.

Buying standards

Orders for all BSI, international and foreign standards publications should be addressed to Customer Services. Tel: +44 (0)20 8996 9001.
Fax: +44 (0)20 8996 7001. Email: orders@bsi-global.com. Standards are also available from the BSI website at <http://www.bsi-global.com>.

In response to orders for international standards, it is BSI policy to supply the BSI implementation of those that have been published as British Standards, unless otherwise requested.

Information on standards

BSI provides a wide range of information on national, European and international standards through its Library and its Technical Help to Exporters Service. Various BSI electronic information services are also available which give details on all its products and services. Contact the Information Centre.
Tel: +44 (0)20 8996 7111. Fax: +44 (0)20 8996 7048. Email: info@bsi-global.com.

Subscribing members of BSI are kept up to date with standards developments and receive substantial discounts on the purchase price of standards. For details of these and other benefits contact Membership Administration.
Tel: +44 (0)20 8996 7002. Fax: +44 (0)20 8996 7001.
Email: membership@bsi-global.com.

Information regarding online access to British Standards via British Standards Online can be found at <http://www.bsi-global.com/bsonline>.

Further information about BSI is available on the BSI website at <http://www.bsi-global.com>.

Copyright

Copyright subsists in all BSI publications. BSI also holds the copyright, in the UK, of the publications of the international standardization bodies. Except as permitted under the Copyright, Designs and Patents Act 1988 no extract may be reproduced, stored in a retrieval system or transmitted in any form or by any means – electronic, photocopying, recording or otherwise – without prior written permission from BSI.

This does not preclude the free use, in the course of implementing the standard, of necessary details such as symbols, and size, type or grade designations. If these details are to be used for any other purpose than implementation then the prior written permission of BSI must be obtained.

Details and advice can be obtained from the Copyright & Licensing Manager.
Tel: +44 (0)20 8996 7070. Fax: +44 (0)20 8996 7553.
Email: copyright@bsi-global.com.