



BSI Standards Publication

**Aerospace series — Connector,
electrical and optical,
rectangular, modular,
rectangular inserts, operating
temperature 175 °C (or 125 °C)
continuous**

Part 014: Receptacle, size 1, with ground block, class B and F — Product standard

National foreword

This British Standard is the UK implementation of EN 4644-014:2015.

The UK participation in its preparation was entrusted to Technical Committee ACE/6, Aerospace avionic electrical and fibre optic technology.

A list of organizations represented on this committee can be obtained on request to its secretary.

This publication does not purport to include all the necessary provisions of a contract. Users are responsible for its correct application.

© The British Standards Institution 2015.

Published by BSI Standards Limited 2015

ISBN 978 0 580 89854 9

ICS 49.060; 49.090

Compliance with a British Standard cannot confer immunity from legal obligations.

This British Standard was published under the authority of the Standards Policy and Strategy Committee on 30 November 2015.

Amendments/corrigenda issued since publication

Date	Text affected
------	---------------

EUROPEAN STANDARD

EN 4644-014

NORME EUROPÉENNE

EUROPÄISCHE NORM

November 2015

ICS 49.060; 49.090

English Version

**Aerospace series - Connector, electrical and optical,
rectangular, modular, rectangular inserts, operating
temperature 175 °C (or 125 °C) continuous - Part 014:
Receptacle, size 1, with ground block, class B and F -
Product standard**

Série aérospatiale - Connecteur, électrique et optique,
rectangulaire, modulaire, à inserts rectangulaires,
température de fonctionnement 175 °C (ou 125 °C)
continu - Partie 014 : Embase, taille 1, avec bloc de
masse, classes B et F - Norme de produit

Luft- und Raumfahrt - Elektrische und optische
Rechtecksteckverbinder, modular, rechteckige
Kontakteinsätze, Dauerbetriebstemperatur 175 °C
(oder 125 °C) konstant - Teil 014: Fester
Steckverbinder, Größe 1, mit Erdungseinrichtung,
Klassen B und F - Produktnorm

This European Standard was approved by CEN on 30 June 2015.

CEN members are bound to comply with the CEN/CENELEC Internal Regulations which stipulate the conditions for giving this European Standard the status of a national standard without any alteration. Up-to-date lists and bibliographical references concerning such national standards may be obtained on application to the CEN-CENELEC Management Centre or to any CEN member.

This European Standard exists in three official versions (English, French, German). A version in any other language made by translation under the responsibility of a CEN member into its own language and notified to the CEN-CENELEC Management Centre has the same status as the official versions.

CEN members are the national standards bodies of Austria, Belgium, Bulgaria, Croatia, Cyprus, Czech Republic, Denmark, Estonia, Finland, Former Yugoslav Republic of Macedonia, France, Germany, Greece, Hungary, Iceland, Ireland, Italy, Latvia, Lithuania, Luxembourg, Malta, Netherlands, Norway, Poland, Portugal, Romania, Slovakia, Slovenia, Spain, Sweden, Switzerland, Turkey and United Kingdom.



EUROPEAN COMMITTEE FOR STANDARDIZATION
COMITÉ EUROPÉEN DE NORMALISATION
EUROPÄISCHES KOMITEE FÜR NORMUNG

CEN-CENELEC Management Centre: Avenue Marnix 17, B-1000 Brussels

Contents		Page
European foreword		3
1	Scope.....	4
2	Normative references.....	4
3	Terms and definitions	4
4	Required characteristics	5
5	Designation	8

European foreword

This document (EN 4644-014:2015) has been prepared by the Aerospace and Defence Industries Association of Europe - Standardization (ASD-STAN).

After enquiries and votes carried out in accordance with the rules of this Association, this Standard has received the approval of the National Associations and the Official Services of the member countries of ASD, prior to its presentation to CEN.

This European Standard shall be given the status of a national standard, either by publication of an identical text or by endorsement, at the latest by May 2016, and conflicting national standards shall be withdrawn at the latest by May 2016.

Attention is drawn to the possibility that some of the elements of this document may be the subject of patent rights. CEN [and/or CENELEC] shall not be held responsible for identifying any or all such patent rights.

According to the CEN-CENELEC Internal Regulations, the national standards organizations of the following countries are bound to implement this European Standard: Austria, Belgium, Bulgaria, Croatia, Cyprus, Czech Republic, Denmark, Estonia, Finland, Former Yugoslav Republic of Macedonia, France, Germany, Greece, Hungary, Iceland, Ireland, Italy, Latvia, Lithuania, Luxembourg, Malta, Netherlands, Norway, Poland, Portugal, Romania, Slovakia, Slovenia, Spain, Sweden, Switzerland, Turkey and the United Kingdom.

1 Scope

This European Standard specifies the size 1 receptacle with ground block for disconnect applications used in the family of modular rectangular electrical and optical connector with rectangular inserts. The plug corresponding to this receptacle is defined in EN 4644-011 and EN 4644-013.

2 Normative references

The following documents, in whole or in part, are normatively referenced in this document and are indispensable for its application. For dated references, only the edition cited applies. For undated references, the latest edition of the referenced document (including any amendments) applies.

EN 4644-001, *Aerospace series — Connector, electrical and optical, rectangular, modular, rectangular inserts operating temperature 175 °C (or 125 °C) continuous — Part 001: Technical specification*

EN 4644-002, *Aerospace series — Connector, electrical and optical, rectangular, modular, rectangular inserts operating temperature 175 °C (or 125 °C) continuous — Part 002: Specification of performance and contact arrangements*

EN 4644-011, *Aerospace series — Connector, electrical and optical, rectangular, modular, rectangular inserts operating temperature 175 °C (or 125 °C) continuous — Part 011: Plug, size 1, class A, C and E — Product standard*

EN 4644-013, *Aerospace series — Connector, electrical and optical, rectangular, modular, rectangular inserts operating temperature 175 °C (or 125 °C) continuous — Part 013: Plug, size 1, with ground block, class B and F — Product standard*

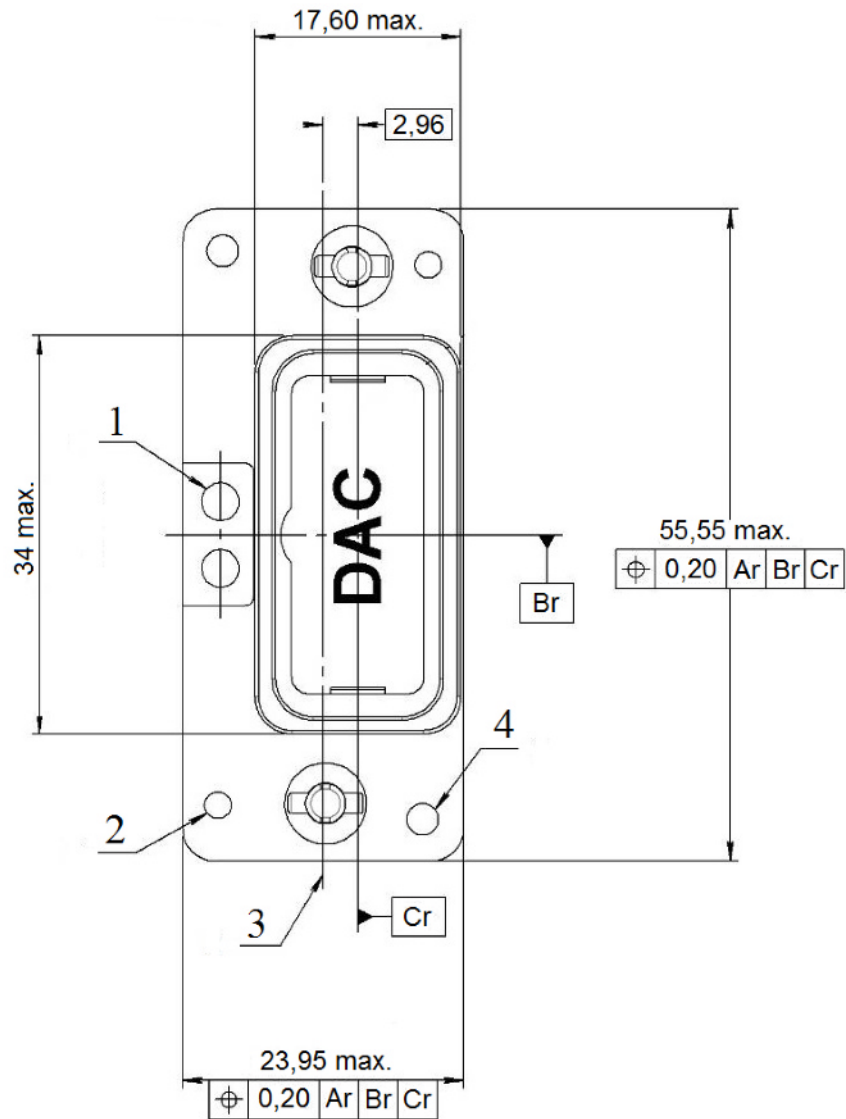
3 Terms and definitions

For the purposes of this standard, the terms and definitions given in EN 4644-001 apply.

4 Required characteristics

4.1 Dimensions and recommended panel cut-out

See Figure 1 to Figure 3.

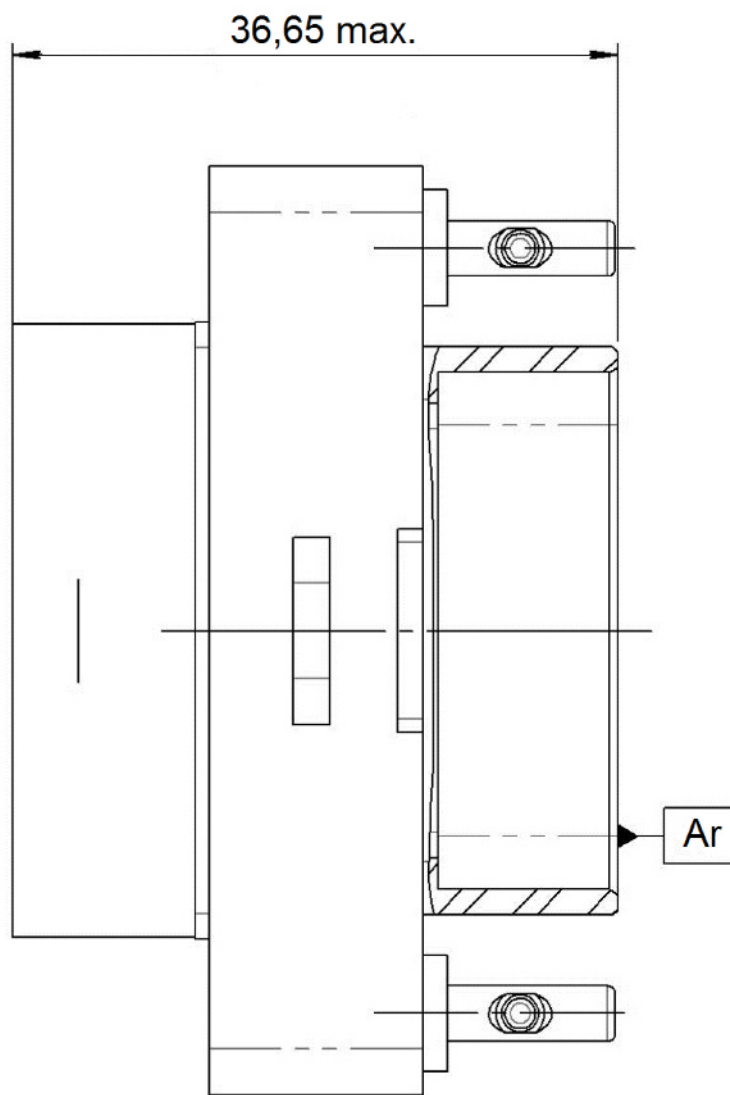


Key

- 1 Polarization device (see EN 4644-001)
- 2 Two self-locking 4-40 UNC threads for accessories
- 3 23,95 axis
- 4 Two self-locking 6-32 UNC threads

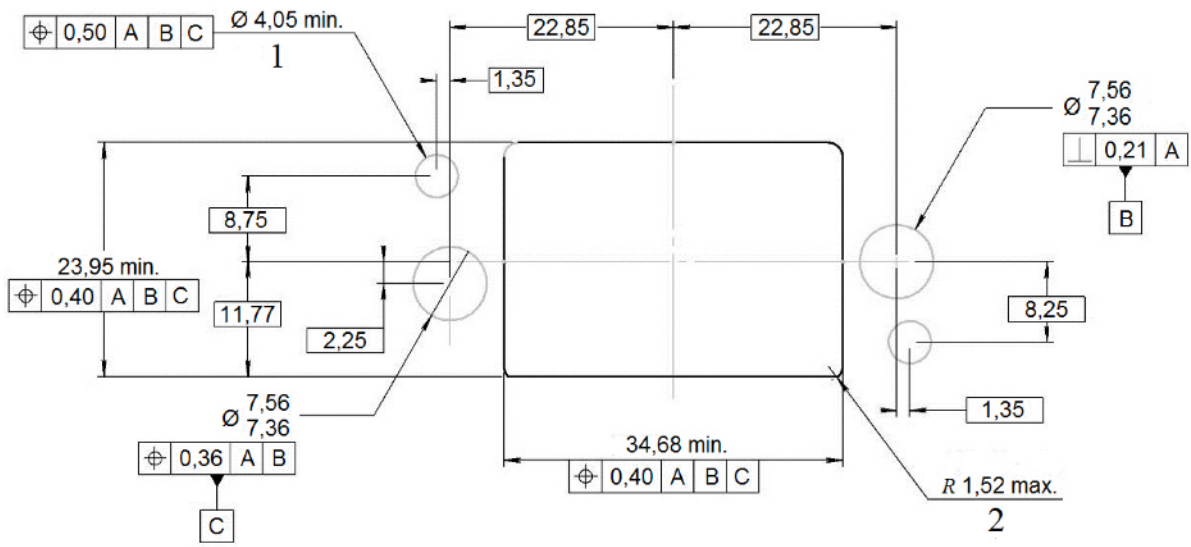
NOTE Ar, Br, Cr axis, see EN 4644-001.

Figure 1



NOTE Ar axis, see EN 4644-001.

Figure 2



Key

- 1 2 places
- 2 4 places

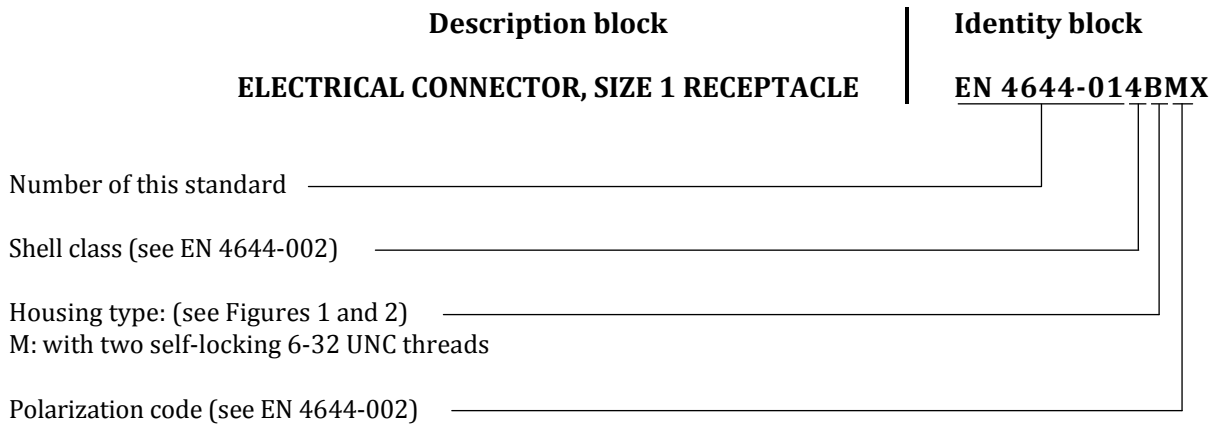
Figure 3 — Panel cut-out

4.2 Mass

55 g max.

5 Designation

EXAMPLE



British Standards Institution (BSI)

BSI is the national body responsible for preparing British Standards and other standards-related publications, information and services.

BSI is incorporated by Royal Charter. British Standards and other standardization products are published by BSI Standards Limited.

About us

We bring together business, industry, government, consumers, innovators and others to shape their combined experience and expertise into standards-based solutions.

The knowledge embodied in our standards has been carefully assembled in a dependable format and refined through our open consultation process. Organizations of all sizes and across all sectors choose standards to help them achieve their goals.

Information on standards

We can provide you with the knowledge that your organization needs to succeed. Find out more about British Standards by visiting our website at bsigroup.com/standards or contacting our Customer Services team or Knowledge Centre.

Buying standards

You can buy and download PDF versions of BSI publications, including British and adopted European and international standards, through our website at bsigroup.com/shop, where hard copies can also be purchased.

If you need international and foreign standards from other Standards Development Organizations, hard copies can be ordered from our Customer Services team.

Subscriptions

Our range of subscription services are designed to make using standards easier for you. For further information on our subscription products go to bsigroup.com/subscriptions.

With **British Standards Online (BSOL)** you'll have instant access to over 55,000 British and adopted European and international standards from your desktop. It's available 24/7 and is refreshed daily so you'll always be up to date.

You can keep in touch with standards developments and receive substantial discounts on the purchase price of standards, both in single copy and subscription format, by becoming a **BSI Subscribing Member**.

PLUS is an updating service exclusive to BSI Subscribing Members. You will automatically receive the latest hard copy of your standards when they're revised or replaced.

To find out more about becoming a BSI Subscribing Member and the benefits of membership, please visit bsigroup.com/shop.

With a **Multi-User Network Licence (MUNL)** you are able to host standards publications on your intranet. Licences can cover as few or as many users as you wish. With updates supplied as soon as they're available, you can be sure your documentation is current. For further information, email bsmusales@bsigroup.com.

BSI Group Headquarters

389 Chiswick High Road London W4 4AL UK

Revisions

Our British Standards and other publications are updated by amendment or revision.

We continually improve the quality of our products and services to benefit your business. If you find an inaccuracy or ambiguity within a British Standard or other BSI publication please inform the Knowledge Centre.

Copyright

All the data, software and documentation set out in all British Standards and other BSI publications are the property of and copyrighted by BSI, or some person or entity that owns copyright in the information used (such as the international standardization bodies) and has formally licensed such information to BSI for commercial publication and use. Except as permitted under the Copyright, Designs and Patents Act 1988 no extract may be reproduced, stored in a retrieval system or transmitted in any form or by any means – electronic, photocopying, recording or otherwise – without prior written permission from BSI. Details and advice can be obtained from the Copyright & Licensing Department.

Useful Contacts:

Customer Services

Tel: +44 845 086 9001

Email (orders): orders@bsigroup.com

Email (enquiries): cservices@bsigroup.com

Subscriptions

Tel: +44 845 086 9001

Email: subscriptions@bsigroup.com

Knowledge Centre

Tel: +44 20 8996 7004

Email: knowledgecentre@bsigroup.com

Copyright & Licensing

Tel: +44 20 8996 7070

Email: copyright@bsigroup.com



...making excellence a habit.™