

**Aerospace series —
Connectors, optical,
rectangular, modular,
multicontact,
1,25 diameter ferrule,
with removable
alignment sleeve
holder —**

**Part 005: Removable alignment sleeve
holder — Product standard**

ICS 49.060

National foreword

This British Standard is the UK implementation of EN 4639-005:2007.

The UK participation in its preparation was entrusted by Technical Committee ACE/6, Aerospace avionic electrical and fibre optic technology, to Panel ACE/6/-/3, Aerospace — Connectors.

A list of organizations represented on this committee can be obtained on request to its secretary.

This publication does not purport to include all the necessary provisions of a contract. Users are responsible for its correct application.

Compliance with a British Standard cannot confer immunity from legal obligations.

This British Standard was published under the authority of the Standards Policy and Strategy Committee on 29 February 2008

© BSI 2008

ISBN 978 0 580 56486 4

Amendments/corrigenda issued since publication

Date	Comments

ICS 49.060

English Version

Aerospace series - Connectors, optical, rectangular, modular,
multicontact, 1,25 diameter ferrule, with removable alignment
sleeve holder - Part 005: Removable alignment sleeve holder -
Product standard

Série aérospatiale - Connecteurs optiques rectangulaires,
modulaires multivoies, ferrule 1,25, équipé d'un porte sleeve
démontable - Partie 005 : Porte sleeve démontable -
Norme de produit

Luft- und Raumfahrt - Optischer Rechtecksteckverbinder,
modular, Mehrfachkontakt, Ferrulendurchmesser 1,25 mm,
demontierbarer Zentrierhülsenhafter - Teil 005:
Demontierbarer Zentrierhülsenhafter - Produktnorm

This European Standard was approved by CEN on 21 June 2007.

CEN members are bound to comply with the CEN/CENELEC Internal Regulations which stipulate the conditions for giving this European Standard the status of a national standard without any alteration. Up-to-date lists and bibliographical references concerning such national standards may be obtained on application to the CEN Management Centre or to any CEN member.

This European Standard exists in three official versions (English, French, German). A version in any other language made by translation under the responsibility of a CEN member into its own language and notified to the CEN Management Centre has the same status as the official versions.

CEN members are the national standards bodies of Austria, Belgium, Bulgaria, Cyprus, Czech Republic, Denmark, Estonia, Finland, France, Germany, Greece, Hungary, Iceland, Ireland, Italy, Latvia, Lithuania, Luxembourg, Malta, Netherlands, Norway, Poland, Portugal, Romania, Slovakia, Slovenia, Spain, Sweden, Switzerland and United Kingdom.



EUROPEAN COMMITTEE FOR STANDARDIZATION
COMITÉ EUROPÉEN DE NORMALISATION
EUROPÄISCHES KOMITEE FÜR NORMUNG

Management Centre: rue de Stassart, 36 B-1050 Brussels

Contents

Page

Foreword.....	3
1 Scope	4
2 Normative references	4
3 Terms and definitions	4
4 Required characteristics	4
4.1 General.....	4
4.2 Dimensions – Removable alignment sleeve holder	4
4.3 Material and surface treatment.....	5
4.4 Optical, mechanical and climatic characteristics.....	5
5 Designation	6
6 Marking	6
7 Technical specification	6

Foreword

This document (EN 4639-005:2007) has been prepared by the Aerospace and Defence Industries Association of Europe - Standardization (ASD-STAN).

After enquiries and votes carried out in accordance with the rules of this Association, this Standard has received the approval of the National Associations and the Official Services of the member countries of ASD, prior to its presentation to CEN.

This European Standard shall be given the status of a national standard, either by publication of an identical text or by endorsement, at the latest by May 2008, and conflicting national standards shall be withdrawn at the latest by May 2008.

Attention is drawn to the possibility that some of the elements of this document may be the subject of patent rights. CEN [and/or CENELEC] shall not be held responsible for identifying any or all such patent rights.

According to the CEN/CENELEC Internal Regulations, the national standards organizations of the following countries are bound to implement this European Standard: Austria, Belgium, Bulgaria, Cyprus, Czech Republic, Denmark, Estonia, Finland, France, Germany, Greece, Hungary, Iceland, Ireland, Italy, Latvia, Lithuania, Luxembourg, Malta, Netherlands, Norway, Poland, Portugal, Romania, Slovakia, Slovenia, Spain, Sweden, Switzerland and the United Kingdom.

1 Scope

This standard specifies the characteristics of removable alignment sleeve holder for a female optical module for rectangular modular multipin connectors.

2 Normative references

The following referenced documents are indispensable for the application of this document. For dated references, only the edition cited applies. For undated references, the latest edition of the referenced document (including any amendments) applies.

EN 2424, *Aerospace series — Marking of aerospace products.*

EN 4639-001, *Aerospace series — Connectors, optical, rectangular, modular, multicontact, 1,25 diameter ferrule, with removable alignment sleeve holder — Part 001: Technical specification.*¹⁾

EN 4639-002, *Aerospace series — Connectors, optical, rectangular, modular, multicontact, 1,25 diameter ferrule, with removable alignment sleeve holder — Part 002: List of product standards.*¹⁾

EN 4639-004, *Aerospace series — Connectors, optical, rectangular, modular, multicontact, 1,25 diameter ferrule, with removable alignment sleeve holder — Part 004: Female optical module — Product standard.*

EN 4644-001, *Aerospace series — Connector, electrical, rectangular, modular, rectangular inserts — Operating temperature 175 °C continuous — Part 001: Technical specification.*²⁾

3 Terms and definitions

For the purposes of this document, the terms and definitions given in EN 4639-001 apply.

4 Required characteristics

4.1 General

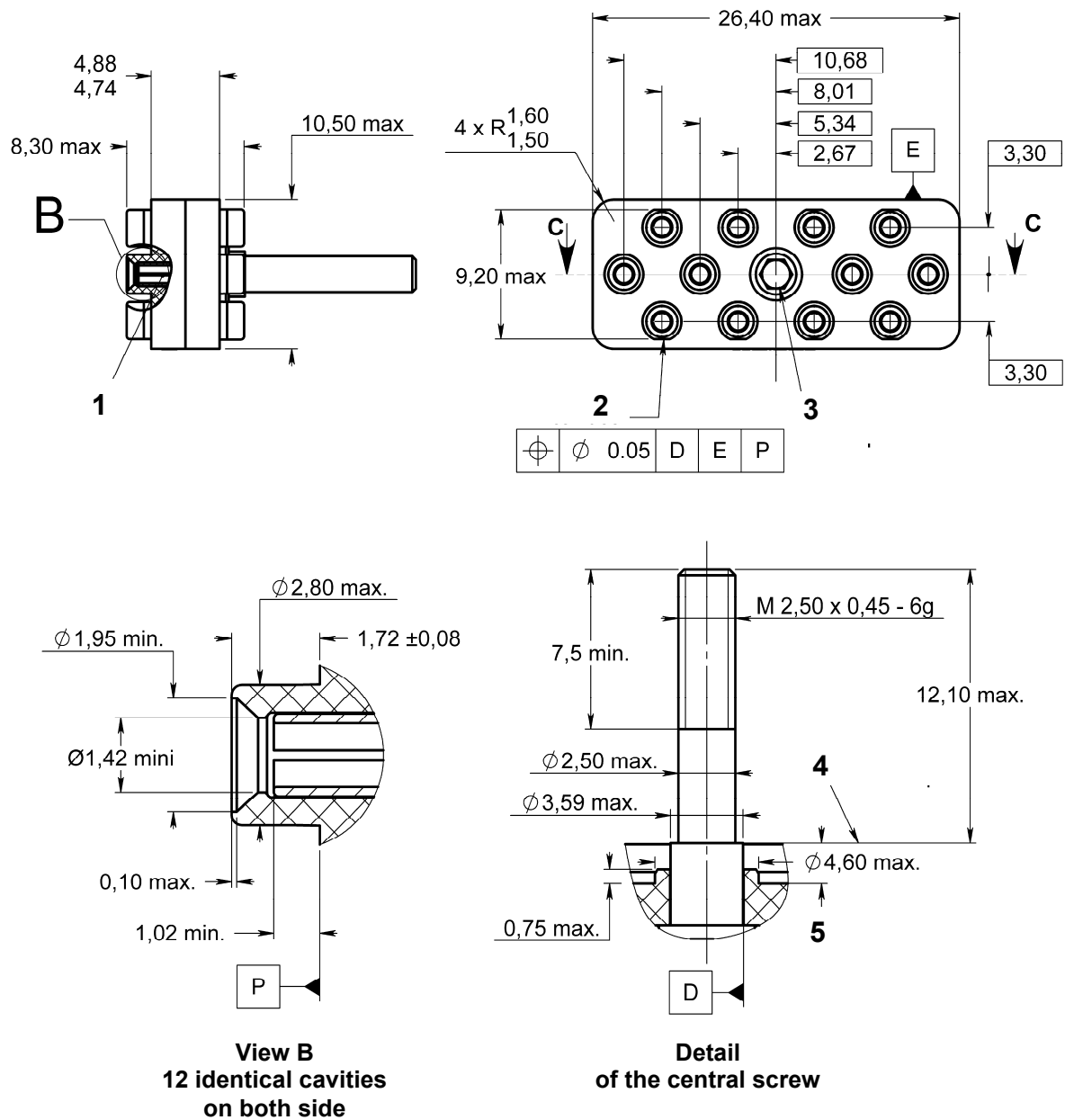
The removable sleeve holder must be assembled into the female insert as specified in EN 4639-004.

4.2 Dimensions – Removable alignment sleeve holder

See Figure 1, dimensions in millimetres.

1) Published as ASD Prestandard at the date of publication of this standard.

2) In preparation at the date of publication of this standard.



Key

- 1 Alignment sleeve
- 2 12 cavities
- 3 5/64 hex. captive screw
- 4 Module limit stop
- 5 Floating movement 0,98 to 1,30

Figure 1

4.3 Material and surface treatment

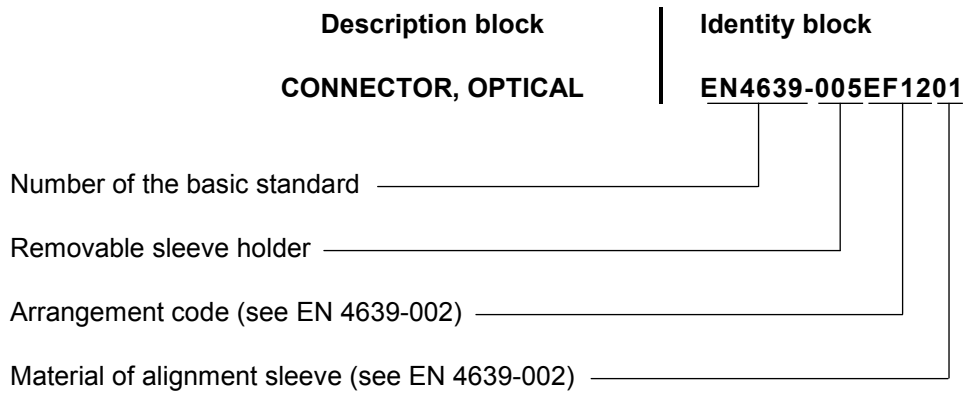
See EN 4644-001.

4.4 Optical, mechanical and climatic characteristics

See EN 4639-002.

5 Designation

EXAMPLE



6 Marking

The marking shall include the identification, the date of manufacture (year, week) and the name or trade mark of the manufacturer or conform to standard EN 2424, code P, if required.

7 Technical specification

See optical contact product standard. ³⁾

³⁾ Performance is directly linked to optical contact and fibre technology.

BSI — British Standards Institution

BSI is the independent national body responsible for preparing British Standards. It presents the UK view on standards in Europe and at the international level. It is incorporated by Royal Charter.

Revisions

British Standards are updated by amendment or revision. Users of British Standards should make sure that they possess the latest amendments or editions.

It is the constant aim of BSI to improve the quality of our products and services. We would be grateful if anyone finding an inaccuracy or ambiguity while using this British Standard would inform the Secretary of the technical committee responsible, the identity of which can be found on the inside front cover.
Tel: +44 (0)20 8996 9000. Fax: +44 (0)20 8996 7400.

BSI offers members an individual updating service called PLUS which ensures that subscribers automatically receive the latest editions of standards.

Buying standards

Orders for all BSI, international and foreign standards publications should be addressed to Customer Services. Tel: +44 (0)20 8996 9001.
Fax: +44 (0)20 8996 7001. Email: orders@bsi-global.com. Standards are also available from the BSI website at <http://www.bsi-global.com>.

In response to orders for international standards, it is BSI policy to supply the BSI implementation of those that have been published as British Standards, unless otherwise requested.

Information on standards

BSI provides a wide range of information on national, European and international standards through its Library and its Technical Help to Exporters Service. Various BSI electronic information services are also available which give details on all its products and services. Contact the Information Centre.
Tel: +44 (0)20 8996 7111. Fax: +44 (0)20 8996 7048. Email: info@bsi-global.com.

Subscribing members of BSI are kept up to date with standards developments and receive substantial discounts on the purchase price of standards. For details of these and other benefits contact Membership Administration.
Tel: +44 (0)20 8996 7002. Fax: +44 (0)20 8996 7001.
Email: membership@bsi-global.com.

Information regarding online access to British Standards via British Standards Online can be found at <http://www.bsi-global.com/bsonline>.

Further information about BSI is available on the BSI website at <http://www.bsi-global.com>.

Copyright

Copyright subsists in all BSI publications. BSI also holds the copyright, in the UK, of the publications of the international standardization bodies. Except as permitted under the Copyright, Designs and Patents Act 1988 no extract may be reproduced, stored in a retrieval system or transmitted in any form or by any means – electronic, photocopying, recording or otherwise – without prior written permission from BSI.

This does not preclude the free use, in the course of implementing the standard, of necessary details such as symbols, and size, type or grade designations. If these details are to be used for any other purpose than implementation then the prior written permission of BSI must be obtained.

Details and advice can be obtained from the Copyright & Licensing Manager.
Tel: +44 (0)20 8996 7070. Fax: +44 (0)20 8996 7553.
Email: copyright@bsi-global.com.