

BS EN 4531-005:2012



BSI Standards Publication

**Aerospace series —  
Connectors, optical, circular,  
single and multipin, coupled  
by triple start threaded ring —  
Flush contacts**

Part 005: Plug — Product standard

**bsi.**

...making excellence a habit.™

**National foreword**

This British Standard is the UK implementation of EN 4531-005:2012. It supersedes BS EN 4531-005:2007 which is withdrawn.

The UK participation in its preparation was entrusted to Technical Committee ACE/6, Aerospace avionic electrical and fibre optic technology.

A list of organizations represented on this committee can be obtained on request to its secretary.

This publication does not purport to include all the necessary provisions of a contract. Users are responsible for its correct application.

© The British Standards Institution 2012. Published by BSI Standards Limited 2012

ISBN 978 0 580 75698 6

ICS 49.060

**Compliance with a British Standard cannot confer immunity from legal obligations.**

This British Standard was published under the authority of the Standards Policy and Strategy Committee on 31 May 2012.

**Amendments issued since publication**

Date	Text affected
------	---------------

---

EUROPEAN STANDARD

**EN 4531-005**

NORME EUROPÉENNE

EUROPÄISCHE NORM

May 2012

ICS 49.060

Supersedes EN 4531-005:2007

English Version

**Aerospace series - Connectors, optical, circular, single and  
multipin, coupled by triple start threaded ring - Flush contacts -  
Part 005: Plug - Product standard**

Série aérospatiale - Connecteurs optiques circulaires à  
accouplement par bague fileté à trois filets - Contacts  
affleurants - Partie 005: Fiche - Norme de produit

Luft- und Raumfahrt - Optische Rundsteckverbinder mit  
dreigängiger Schraubkupplung - Bündige Kontakte - Teil  
005: Freier Steckverbinder - Produktnorm

This European Standard was approved by CEN on 10 September 2011.

CEN members are bound to comply with the CEN/CENELEC Internal Regulations which stipulate the conditions for giving this European Standard the status of a national standard without any alteration. Up-to-date lists and bibliographical references concerning such national standards may be obtained on application to the CEN-CENELEC Management Centre or to any CEN member.

This European Standard exists in three official versions (English, French, German). A version in any other language made by translation under the responsibility of a CEN member into its own language and notified to the CEN-CENELEC Management Centre has the same status as the official versions.

CEN members are the national standards bodies of Austria, Belgium, Bulgaria, Croatia, Cyprus, Czech Republic, Denmark, Estonia, Finland, France, Germany, Greece, Hungary, Iceland, Ireland, Italy, Latvia, Lithuania, Luxembourg, Malta, Netherlands, Norway, Poland, Portugal, Romania, Slovakia, Slovenia, Spain, Sweden, Switzerland, Turkey and United Kingdom.



EUROPEAN COMMITTEE FOR STANDARDIZATION  
COMITÉ EUROPÉEN DE NORMALISATION  
EUROPÄISCHES KOMITEE FÜR NORMUNG

**Management Centre: Avenue Marnix 17, B-1000 Brussels**

## Contents

Page

Foreword.....	3
1 <b>Scope</b> .....	4
2 <b>Normative references</b> .....	4
3 <b>Terms and definitions</b> .....	4
4 <b>Required characteristics</b> .....	5
5 <b>Designation</b> .....	6
6 <b>Marking</b> .....	6
7 <b>Technical specification</b> .....	6

## Foreword

This document (EN 4531-005:2012) has been prepared by the Aerospace and Defence Industries Association of Europe - Standardization (ASD-STAN).

After enquiries and votes carried out in accordance with the rules of this Association, this Standard has received the approval of the National Associations and the Official Services of the member countries of ASD, prior to its presentation to CEN.

This European Standard shall be given the status of a national standard, either by publication of an identical text or by endorsement, at the latest by November 2012, and conflicting national standards shall be withdrawn at the latest by November 2012.

Attention is drawn to the possibility that some of the elements of this document may be the subject of patent rights. CEN [and/or CENELEC] shall not be held responsible for identifying any or all such patent rights.

This document supersedes EN 4531-005:2007.

According to the CEN/CENELEC Internal Regulations, the national standards organizations of the following countries are bound to implement this European Standard: Austria, Belgium, Bulgaria, Croatia, Cyprus, Czech Republic, Denmark, Estonia, Finland, France, Germany, Greece, Hungary, Iceland, Ireland, Italy, Latvia, Lithuania, Luxembourg, Malta, Netherlands, Norway, Poland, Portugal, Romania, Slovakia, Slovenia, Spain, Sweden, Switzerland, Turkey and the United Kingdom.

## 1 Scope

This European Standard specifies the characteristics of mounted plugs in the family of circular connectors with triple start threaded coupling.

## 2 Normative references

The following documents, in whole or in part, are normatively referenced in this document and are indispensable for its application. For dated references, only the edition cited applies. For undated references, the latest edition of the referenced document (including any amendments) applies.

EN 2424, *Aerospace series — Marking of aerospace products*

EN 4531-001, *Aerospace series — Connectors, optical, circular, single and multipin, coupled by triple start threaded ring — Flush contacts — Part 001: Technical specification*

EN 4531-002, *Aerospace series — Connectors, optical, circular, single and multipin, coupled by triple start threaded ring — Flush contacts — Part 002: Specification of performance and contact arrangements*

## 3 Terms and definitions

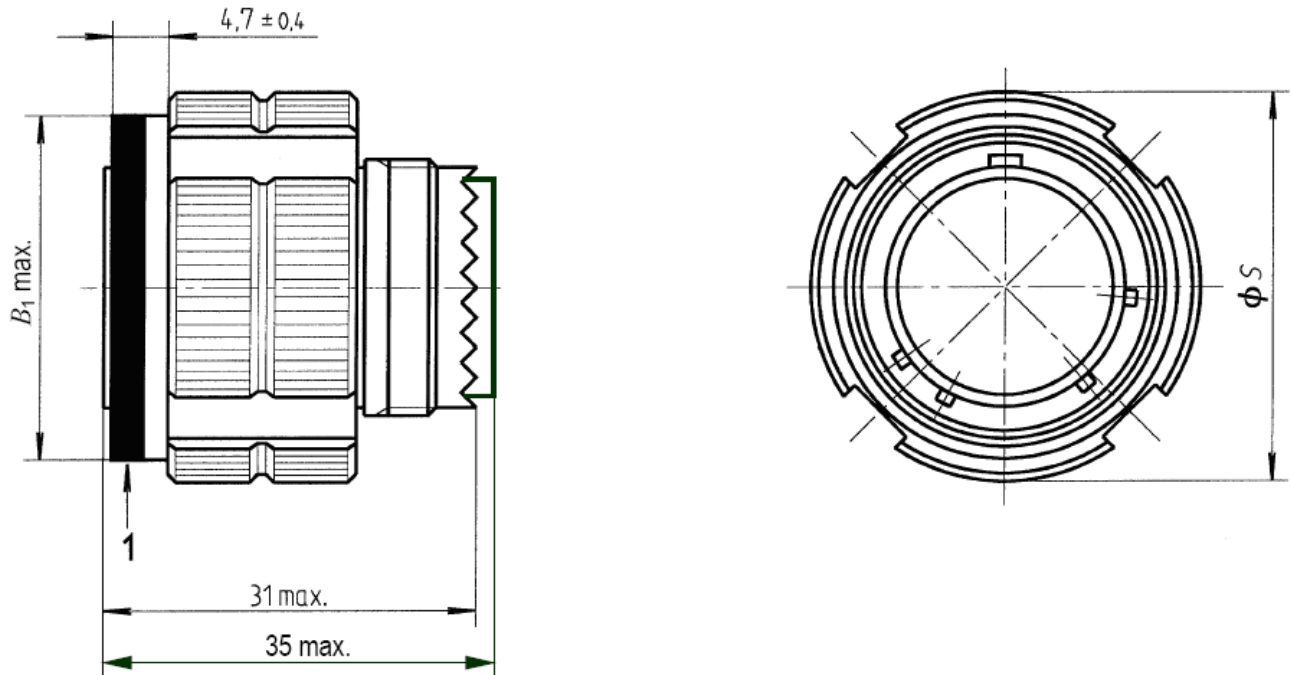
For the purposes of this document, the terms and definitions given in EN 4531-001 apply.

## 4 Required characteristics

### 4.1 Dimensions and masses

See Figure 1 and Table 1. Dimensions and tolerances are in millimetres.

For general dimensions, see EN 3645-008.



#### Key

1 Blue band

Profile of coupling ring is not mandatory and is shown illustration purposes only.

Figure 1

Table 1

Shell size	$B_1$ $+0,20$ $0$	$S$ max.	Mass g Classes		
			F, W, N and Z	K and S	J, M and X
9	18,40	21,80	26,5	61	19,5
11	21,10	25,00	35	77	28
13	25,40	29,40	49	106	35
15	28,70	32,50	60	126	47
19	34,90	38,50	80	165	68
21	38,10	41,70	95	194	78
25	44,30	48,00	123	234	102

## 4.2 Material and surface treatment

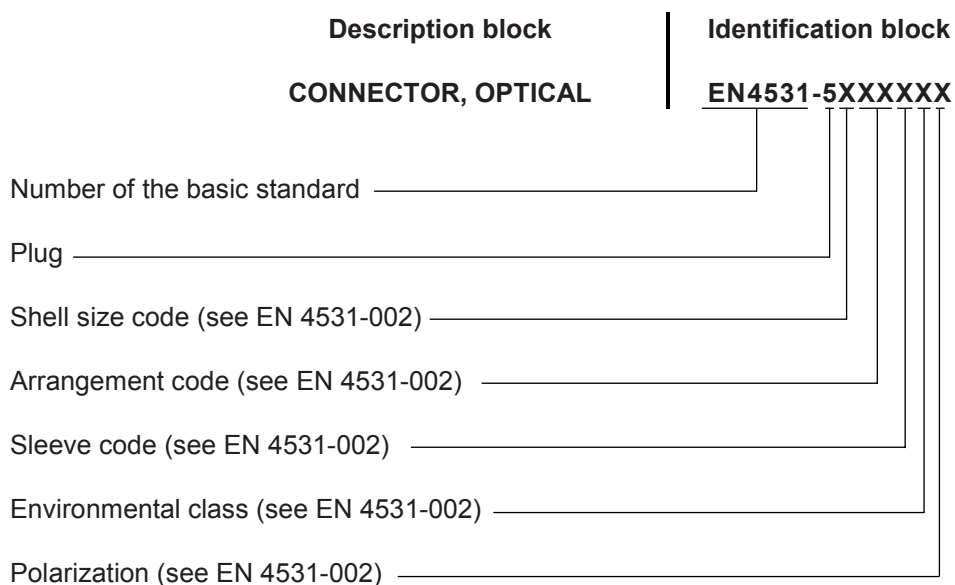
See EN 4531-002.

## 4.3 Optical, mechanical and climatic characteristics

See EN 4531-002.

## 5 Designation

EXAMPLE



## 6 Marking

The marking shall include the identification defined in Clause 5, the date of manufacture (year, week) and the name or trade mark of the manufacturer or conform to standard EN 2424, code P, if required.

## 7 Technical specification

See EN 4531-001.





# British Standards Institution (BSI)

BSI is the national body responsible for preparing British Standards and other standards-related publications, information and services.

BSI is incorporated by Royal Charter. British Standards and other standardization products are published by BSI Standards Limited.

## About us

We bring together business, industry, government, consumers, innovators and others to shape their combined experience and expertise into standards-based solutions.

The knowledge embodied in our standards has been carefully assembled in a dependable format and refined through our open consultation process. Organizations of all sizes and across all sectors choose standards to help them achieve their goals.

## Information on standards

We can provide you with the knowledge that your organization needs to succeed. Find out more about British Standards by visiting our website at [bsigroup.com/standards](http://bsigroup.com/standards) or contacting our Customer Services team or Knowledge Centre.

## Buying standards

You can buy and download PDF versions of BSI publications, including British and adopted European and international standards, through our website at [bsigroup.com/shop](http://bsigroup.com/shop), where hard copies can also be purchased.

If you need international and foreign standards from other Standards Development Organizations, hard copies can be ordered from our Customer Services team.

## Subscriptions

Our range of subscription services are designed to make using standards easier for you. For further information on our subscription products go to [bsigroup.com/subscriptions](http://bsigroup.com/subscriptions).

With **British Standards Online (BSOL)** you'll have instant access to over 55,000 British and adopted European and international standards from your desktop. It's available 24/7 and is refreshed daily so you'll always be up to date.

You can keep in touch with standards developments and receive substantial discounts on the purchase price of standards, both in single copy and subscription format, by becoming a **BSI Subscribing Member**.

**PLUS** is an updating service exclusive to BSI Subscribing Members. You will automatically receive the latest hard copy of your standards when they're revised or replaced.

To find out more about becoming a BSI Subscribing Member and the benefits of membership, please visit [bsigroup.com/shop](http://bsigroup.com/shop).

With a **Multi-User Network Licence (MUNL)** you are able to host standards publications on your intranet. Licences can cover as few or as many users as you wish. With updates supplied as soon as they're available, you can be sure your documentation is current. For further information, email [bsmusales@bsigroup.com](mailto:bsmusales@bsigroup.com).

## BSI Group Headquarters

389 Chiswick High Road London W4 4AL UK

## Revisions

Our British Standards and other publications are updated by amendment or revision.

We continually improve the quality of our products and services to benefit your business. If you find an inaccuracy or ambiguity within a British Standard or other BSI publication please inform the Knowledge Centre.

## Copyright

All the data, software and documentation set out in all British Standards and other BSI publications are the property of and copyrighted by BSI, or some person or entity that owns copyright in the information used (such as the international standardization bodies) and has formally licensed such information to BSI for commercial publication and use. Except as permitted under the Copyright, Designs and Patents Act 1988 no extract may be reproduced, stored in a retrieval system or transmitted in any form or by any means – electronic, photocopying, recording or otherwise – without prior written permission from BSI. Details and advice can be obtained from the Copyright & Licensing Department.

## Useful Contacts:

### Customer Services

**Tel:** +44 845 086 9001

**Email (orders):** [orders@bsigroup.com](mailto:orders@bsigroup.com)

**Email (enquiries):** [cservices@bsigroup.com](mailto:cservices@bsigroup.com)

### Subscriptions

**Tel:** +44 845 086 9001

**Email:** [subscriptions@bsigroup.com](mailto:subscriptions@bsigroup.com)

### Knowledge Centre

**Tel:** +44 20 8996 7004

**Email:** [knowledgecentre@bsigroup.com](mailto:knowledgecentre@bsigroup.com)

### Copyright & Licensing

**Tel:** +44 20 8996 7070

**Email:** [copyright@bsigroup.com](mailto:copyright@bsigroup.com)



...making excellence a habit.™