

BS EN 4504:2013



BSI Standards Publication

**Aerospace series — Non-metallic materials, Textiles —  
Test method — Determination  
of flexibility of narrow fabrics**

**bsi.**

...making excellence a habit.™

**National foreword**

This British Standard is the UK implementation of EN 4504:2013.

The UK participation in its preparation was entrusted to Technical Committee ACE/65, Non-metallic materials for aerospace purposes Non-metallic materials for aerospace purposes.

A list of organizations represented on this committee can be obtained on request to its secretary.

This publication does not purport to include all the necessary provisions of a contract. Users are responsible for its correct application.

© The British Standards Institution 2013. Published by BSI Standards Limited 2013

ISBN 978 0 580 81972 8

ICS 49.025.60

**Compliance with a British Standard cannot confer immunity from legal obligations.**

This British Standard was published under the authority of the Standards Policy and Strategy Committee on 31 August 2013.

**Amendments issued since publication**

Date	Text affected
------	---------------

---

EUROPEAN STANDARD

**EN 4504**

NORME EUROPÉENNE

EUROPÄISCHE NORM

August 2013

ICS 49.025.60

English Version

**Aerospace series - Non-metallic materials, Textiles - Test method - Determination of flexibility of narrow fabrics**

Série aérospatiale - Matériaux non-métalliques, Textiles -  
Méthode d'essai - Détermination de la flexibilité des tissus  
étroits

Luft- und Raumfahrt - Nichtmetallische Werkstoffe,  
Textilien - Prüfverfahren - Bestimmung der Flexibilität von  
Schmalgeweben

This European Standard was approved by CEN on 8 May 2013.

CEN members are bound to comply with the CEN/CENELEC Internal Regulations which stipulate the conditions for giving this European Standard the status of a national standard without any alteration. Up-to-date lists and bibliographical references concerning such national standards may be obtained on application to the CEN-CENELEC Management Centre or to any CEN member.

This European Standard exists in three official versions (English, French, German). A version in any other language made by translation under the responsibility of a CEN member into its own language and notified to the CEN-CENELEC Management Centre has the same status as the official versions.

CEN members are the national standards bodies of Austria, Belgium, Bulgaria, Croatia, Cyprus, Czech Republic, Denmark, Estonia, Finland, Former Yugoslav Republic of Macedonia, France, Germany, Greece, Hungary, Iceland, Ireland, Italy, Latvia, Lithuania, Luxembourg, Malta, Netherlands, Norway, Poland, Portugal, Romania, Slovakia, Slovenia, Spain, Sweden, Switzerland, Turkey and United Kingdom.



EUROPEAN COMMITTEE FOR STANDARDIZATION  
COMITÉ EUROPÉEN DE NORMALISATION  
EUROPÄISCHES KOMITEE FÜR NORMUNG

**Management Centre: Avenue Marnix 17, B-1000 Brussels**

<b>Contents</b>		<b>Page</b>
Foreword.....		<b>3</b>
Introduction .....		<b>4</b>
<b>1</b>	<b>Scope .....</b>	<b>5</b>
<b>2</b>	<b>Normative references .....</b>	<b>5</b>
<b>3</b>	<b>Terms and definitions .....</b>	<b>5</b>
<b>4</b>	<b>Health and safety .....</b>	<b>5</b>
<b>5</b>	<b>Principle/Technique.....</b>	<b>5</b>
<b>6</b>	<b>Resources/Facilities .....</b>	<b>5</b>
<b>7</b>	<b>Test samples/Test pieces .....</b>	<b>6</b>
<b>8</b>	<b>Test procedure .....</b>	<b>6</b>
<b>9</b>	<b>Expression of results .....</b>	<b>6</b>
<b>10</b>	<b>Measurement uncertainties .....</b>	<b>6</b>
<b>11</b>	<b>Designation .....</b>	<b>6</b>
<b>12</b>	<b>Test report .....</b>	<b>7</b>

## **Foreword**

This document (EN 4504:2013) has been prepared by the Aerospace and Defence Industries Association of Europe - Standardization (ASD-STAN).

After enquiries and votes carried out in accordance with the rules of this Association, this Standard has received the approval of the National Associations and the Official Services of the member countries of ASD, prior to its presentation to CEN.

This European Standard shall be given the status of a national standard, either by publication of an identical text or by endorsement, at the latest by February 2014, and conflicting national standards shall be withdrawn at the latest by February 2014.

Attention is drawn to the possibility that some of the elements of this document may be the subject of patent rights. CEN [and/or CENELEC] shall not be held responsible for identifying any or all such patent rights.

According to the CEN-CENELEC Internal Regulations, the national standards organizations of the following countries are bound to implement this European Standard: Austria, Belgium, Bulgaria, Croatia, Cyprus, Czech Republic, Denmark, Estonia, Finland, Former Yugoslav Republic of Macedonia, France, Germany, Greece, Hungary, Iceland, Ireland, Italy, Latvia, Lithuania, Luxembourg, Malta, Netherlands, Norway, Poland, Portugal, Romania, Slovakia, Slovenia, Spain, Sweden, Switzerland, Turkey and the United Kingdom.

## **Introduction**

This standard is part of the series of EN non-metallic materials for aerospace applications. The general organisation of this series is described in EN 4385. This standard is a level 3 document as defined in EN 4385.

## 1 Scope

This European Standard defines the requirements for the determination of the flexibility of narrow fabrics.

## 2 Normative references

The following documents, in whole or in part, are normatively referenced in this document and are indispensable for its application. For dated references, only the edition cited applies. For undated references, the latest edition of the referenced document (including any amendments) applies.

prEN 4385, *Aerospace series — Non-metallic materials — General organisation of standardisation — Links between types of standards*<sup>1)</sup>

EN ISO 139, *Textiles — Standard atmospheres for conditioning and testing (ISO 139)*

## 3 Terms and definitions

For the purposes of this standard, the following terms and definitions apply.

### 3.1

#### **flexibility**

the degree of pliancy exhibited by a fabric (as indicated in the diagram at Figure 1)

## 4 Health and safety

This standard does not necessarily include all health and safety requirements associated with its use. Persons using this standard shall be familiar with normal laboratory/test house practices.

It is the responsibility of the user to establish satisfactory health, safety and environment practices and to ensure conformity with any European, National or local laws/regulations.

## 5 Principle/Technique

The test consists in measuring the flexibility of a narrow woven fabric on a block of wood or similar suitable material.

## 6 Resources/Facilities

### 6.1 Apparatus

**6.1.1** A block, having a smooth upper horizontal plane face and an inclined plane length joining it at an angle of  $(138 \pm 1)^\circ$  as shown in Figure 1. The width of the block should be wide enough to fully support the sample under test.

NOTE The upper surface should have a minimum length of 200 mm and the inclined plane should have a minimum length of 400 mm.

**6.1.2** Two plate glass sheets of dimensions at least twice the maximum bending length specified in the individual textile specification and of suitable width.

**6.1.3** Ruler or suitably sized block of wood, the underside of which is sufficiently rough to grip specimen.

---

1) Published as ASD-STAN Prestandard at the date of publication of this standard

## 6.2 Materials/Reagents

No requirements.

## 6.3 Qualification of personnel

No specific technical requirements.

## 7 Test samples/Test pieces

**7.1** Cut five specimens each approximately twice the maximum bending length specified in the individual textile specification and of full width from the test sample ensuring cut is perpendicular to the longitudinal direction. Mark each sample on its face side.

**7.2** The samples are conditioned and tested in a standard atmosphere of  $(65 \pm 2)$  % r.h. and  $(20 \pm 2)$  °C in accordance with EN 20139 — Standard Temperate Atmosphere For Testing.

## 8 Test procedure

**8.1** Conduct the test within the Standard Temperate Atmosphere For Testing  $(65 \pm 2)$  % r.h. and  $(20 \pm 2)$  °C.

**8.2** Place the specimen between two plate glass sheets for at least 2 hours and then remove.

**8.3** Lay the specimen on the horizontal surface terminated at one end by a straight edge so that the length of the specimen is at right angles to, and one end is level with, that edge. Place a ruler or suitable block of wood on top resting against the fabric guide and with its edge level with the edge of the sample, the underside of which is sufficiently rough to grip the specimen.

NOTE 1 In order to achieve a better grip on the specimen adhesive, double sided adhesive tape or fine emery paper may be applied to the rule or block of wood to aid grip on sample.

NOTE 2 The 0 mm mark of the ruler should coincide with the edge of the specimen at the change of slope.

**8.4** Move the specimen lengthwise over the edge at a uniform rate of approximately 25 mm/5 s until the end of the sample touches the inclined plane when bending.

**8.5** Record the length of fabric protruding beyond the edge as shown in Figure 1.

**8.6** Make a similar determination with the other face of the same end of the specimen uppermost.

**8.7** Test the other four specimens as described in 8.1 to 8.5.

## 9 Expression of results

**9.1** Calculate the mean of the five results obtained.

**9.2** Record the highest and lowest individual result.

## 10 Measurement uncertainties

Not applicable.

## 11 Designation

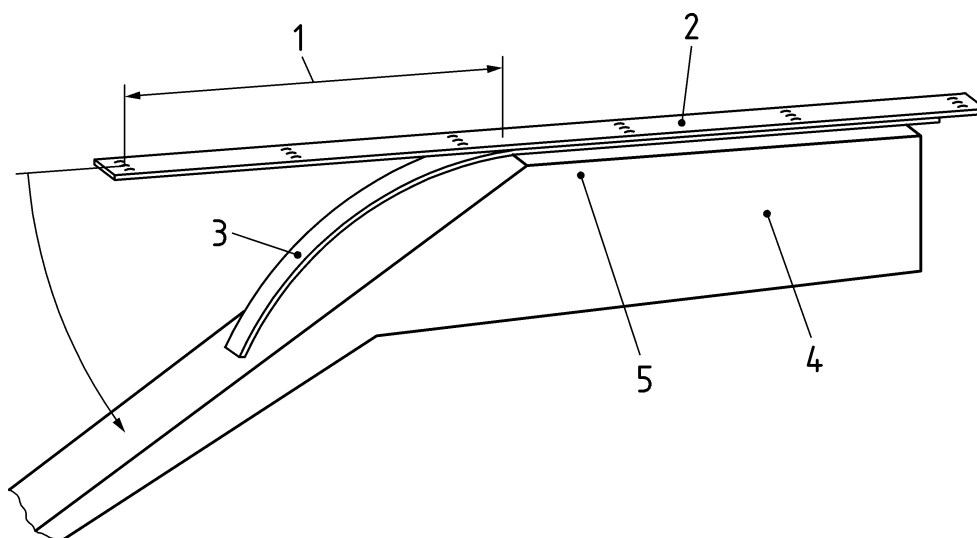
Not applicable.



## 12 Test report

The report shall include the following information:

- a) Reference to this European Standard, i.e. EN 4504;
- b) identification of sample tested (i.e. lot number, batch number);
- c) individual sample measurements and the mean of the five sample measurements with the face uppermost, individual sample measurements and the mean of the five sample measurements reverse uppermost;
- d) traceability to the individual who performed the test;
- e) date of test;
- f) details of any deviation from this test method.



### Key

- 1 Measured length
- 2 Ruler
- 3 Specimen
- 4 Block
- 5 Fabric guide

Figure 1





# British Standards Institution (BSI)

BSI is the national body responsible for preparing British Standards and other standards-related publications, information and services.

BSI is incorporated by Royal Charter. British Standards and other standardization products are published by BSI Standards Limited.

## About us

We bring together business, industry, government, consumers, innovators and others to shape their combined experience and expertise into standards-based solutions.

The knowledge embodied in our standards has been carefully assembled in a dependable format and refined through our open consultation process. Organizations of all sizes and across all sectors choose standards to help them achieve their goals.

## Information on standards

We can provide you with the knowledge that your organization needs to succeed. Find out more about British Standards by visiting our website at [bsigroup.com/standards](http://bsigroup.com/standards) or contacting our Customer Services team or Knowledge Centre.

## Buying standards

You can buy and download PDF versions of BSI publications, including British and adopted European and international standards, through our website at [bsigroup.com/shop](http://bsigroup.com/shop), where hard copies can also be purchased.

If you need international and foreign standards from other Standards Development Organizations, hard copies can be ordered from our Customer Services team.

## Subscriptions

Our range of subscription services are designed to make using standards easier for you. For further information on our subscription products go to [bsigroup.com/subscriptions](http://bsigroup.com/subscriptions).

With **British Standards Online (BSOL)** you'll have instant access to over 55,000 British and adopted European and international standards from your desktop. It's available 24/7 and is refreshed daily so you'll always be up to date.

You can keep in touch with standards developments and receive substantial discounts on the purchase price of standards, both in single copy and subscription format, by becoming a **BSI Subscribing Member**.

**PLUS** is an updating service exclusive to BSI Subscribing Members. You will automatically receive the latest hard copy of your standards when they're revised or replaced.

To find out more about becoming a BSI Subscribing Member and the benefits of membership, please visit [bsigroup.com/shop](http://bsigroup.com/shop).

With a **Multi-User Network Licence (MUNL)** you are able to host standards publications on your intranet. Licences can cover as few or as many users as you wish. With updates supplied as soon as they're available, you can be sure your documentation is current. For further information, email [bsmusales@bsigroup.com](mailto:bsmusales@bsigroup.com).

## Revisions

Our British Standards and other publications are updated by amendment or revision.

We continually improve the quality of our products and services to benefit your business. If you find an inaccuracy or ambiguity within a British Standard or other BSI publication please inform the Knowledge Centre.

## Copyright

All the data, software and documentation set out in all British Standards and other BSI publications are the property of and copyrighted by BSI, or some person or entity that owns copyright in the information used (such as the international standardization bodies) and has formally licensed such information to BSI for commercial publication and use. Except as permitted under the Copyright, Designs and Patents Act 1988 no extract may be reproduced, stored in a retrieval system or transmitted in any form or by any means – electronic, photocopying, recording or otherwise – without prior written permission from BSI. Details and advice can be obtained from the Copyright & Licensing Department.

## Useful Contacts:

### Customer Services

**Tel:** +44 845 086 9001

**Email (orders):** [orders@bsigroup.com](mailto:orders@bsigroup.com)

**Email (enquiries):** [cservices@bsigroup.com](mailto:cservices@bsigroup.com)

### Subscriptions

**Tel:** +44 845 086 9001

**Email:** [subscriptions@bsigroup.com](mailto:subscriptions@bsigroup.com)

### Knowledge Centre

**Tel:** +44 20 8996 7004

**Email:** [knowledgecentre@bsigroup.com](mailto:knowledgecentre@bsigroup.com)

### Copyright & Licensing

**Tel:** +44 20 8996 7070

**Email:** [copyright@bsigroup.com](mailto:copyright@bsigroup.com)

## BSI Group Headquarters

389 Chiswick High Road London W4 4AL UK



...making excellence a habit.™