

Aerospace series — Electrical contacts used in elements of connection —

**Part 044: Contacts, electrical, male 044,
type A, double crimping, class T —
Product standard**

The European Standard EN 3155-044:2007 has the status of a
British Standard

ICS 49.060

National foreword

This British Standard was published by BSI. It is the UK implementation of EN 3155-044:2007.

The UK participation in its preparation was entrusted by Technical Committee ACE/6, Aerospace avionic electrical and fibre optic technology, to Panel ACE/6/-/3, Aerospace — Connectors.

A list of organizations represented on this committee can be obtained on request to its secretary.

This publication does not purport to include all the necessary provisions of a contract. Users are responsible for its correct application.

Compliance with a British Standard cannot confer immunity from legal obligations.

This British Standard was published under the authority of the Standards Policy and Strategy Committee on 30 April 2007

© BSI 2007

ISBN 978 0 580 50621 5

Amendments issued since publication

Amd. No.	Date	Comments

EUROPEAN STANDARD

EN 3155-044

NORME EUROPÉENNE

EUROPÄISCHE NORM

April 2007

ICS 49.060

English Version

Aerospace series - Electrical contacts used in elements of connection - Part 044: Contacts, electrical, male 044, type A, double crimping, class T - Product standard

Série aéronautique - Contacts électriques utilisés dans les organes de connexion - Partie 044 : Contacts électriques, mâles 044, type A, double sertissage, classe T - Norme de produit

Luft- und Raumfahrt - Elektrische Kontakte zur Verwendung in Verbindungselementen - Teil 044: Elektrischer Stiftkontakt 044, Typ A, doppelt gecrimpt, Klasse T - Produktnorm

This European Standard was approved by CEN on 13 January 2006.

CEN members are bound to comply with the CEN/CENELEC Internal Regulations which stipulate the conditions for giving this European Standard the status of a national standard without any alteration. Up-to-date lists and bibliographical references concerning such national standards may be obtained on application to the CEN Management Centre or to any CEN member.

This European Standard exists in three official versions (English, French, German). A version in any other language made by translation under the responsibility of a CEN member into its own language and notified to the CEN Management Centre has the same status as the official versions.

CEN members are the national standards bodies of Austria, Belgium, Bulgaria, Cyprus, Czech Republic, Denmark, Estonia, Finland, France, Germany, Greece, Hungary, Iceland, Ireland, Italy, Latvia, Lithuania, Luxembourg, Malta, Netherlands, Norway, Poland, Portugal, Romania, Slovakia, Slovenia, Spain, Sweden, Switzerland and United Kingdom.



EUROPEAN COMMITTEE FOR STANDARDIZATION
COMITÉ EUROPÉEN DE NORMALISATION
EUROPÄISCHES KOMITEE FÜR NORMUNG

Management Centre: rue de Stassart, 36 B-1050 Brussels

Contents

Page

Foreword.....	3
1 Scope	4
2 Normative references	4
3 Terms and definitions	4
4 Required characteristics	4
4.1 Dimensions, mass	4
4.2 Material, protective plating	6
4.3 Permissible cables.....	6
4.4 Cable stripping.....	6
4.5 Tooling.....	6
4.6 Tests.....	7
5 Designation	8
6 Marking	8
7 Technical specification	8

Foreword

This document (EN 3155-044:2007) has been prepared by the European Association of Aerospace Manufacturers - Standardization (AECMA-STAN).

After enquiries and votes carried out in accordance with the rules of this Association, this Standard has received the approval of the National Associations and the Official Services of the member countries of AECMA, prior to its presentation to CEN.

This European Standard shall be given the status of a national standard, either by publication of an identical text or by endorsement, at the latest by October 2007, and conflicting national standards shall be withdrawn at the latest by October 2007.

Attention is drawn to the possibility that some of the elements of this document may be the subject of patent rights. CEN [and/or CENELEC] shall not be held responsible for identifying any or all such patent rights.

According to the CEN/CENELEC Internal Regulations, the national standards organizations of the following countries are bound to implement this European Standard: Austria, Belgium, Bulgaria, Cyprus, Czech Republic, Denmark, Estonia, Finland, France, Germany, Greece, Hungary, Iceland, Ireland, Italy, Latvia, Lithuania, Luxembourg, Malta, Netherlands, Norway, Poland, Portugal, Romania, Slovakia, Slovenia, Spain, Sweden, Switzerland and the United Kingdom.

1 Scope

This standard specifies the required characteristics and tests applicable to electrical contacts, male 044, type A, double crimping, class T, used in elements of connection according to EN 3155-002.

It shall be used together with EN 3155-001.

The associated female contact is defined in EN 3155-045.

2 Normative references

The following referenced documents are indispensable for the application of this document. For dated references, only the edition cited applies. For undated references, the latest edition of the referenced document (including any amendments) applies.

EN 2591*, *Aerospace series — Elements of electrical and optical connection — Test methods.*

EN 3155-001, *Aerospace series — Electrical contacts used in elements of connection — Part 001: Technical specification.* ¹⁾

EN 3155-002, *Aerospace series — Electrical contacts used in elements of connection — Part 002: List and utilization of contacts.*

EN 3155-045, *Aerospace series — Electrical contacts used in elements of connection — Part 045: Contacts, electrical, female, type A, double crimping, class T — Product standard.*

MIL-DTL-22520, *Crimping tools, wire termination, general specification for.* ²⁾

MIL-I-81969, *Installing and removal tools, connector electrical contact, general specification for.* ²⁾

3 Terms and definitions

For the purposes of this standard, the terms and definitions given in EN 3155-001 apply.

4 Required characteristics

4.1 Dimensions, mass

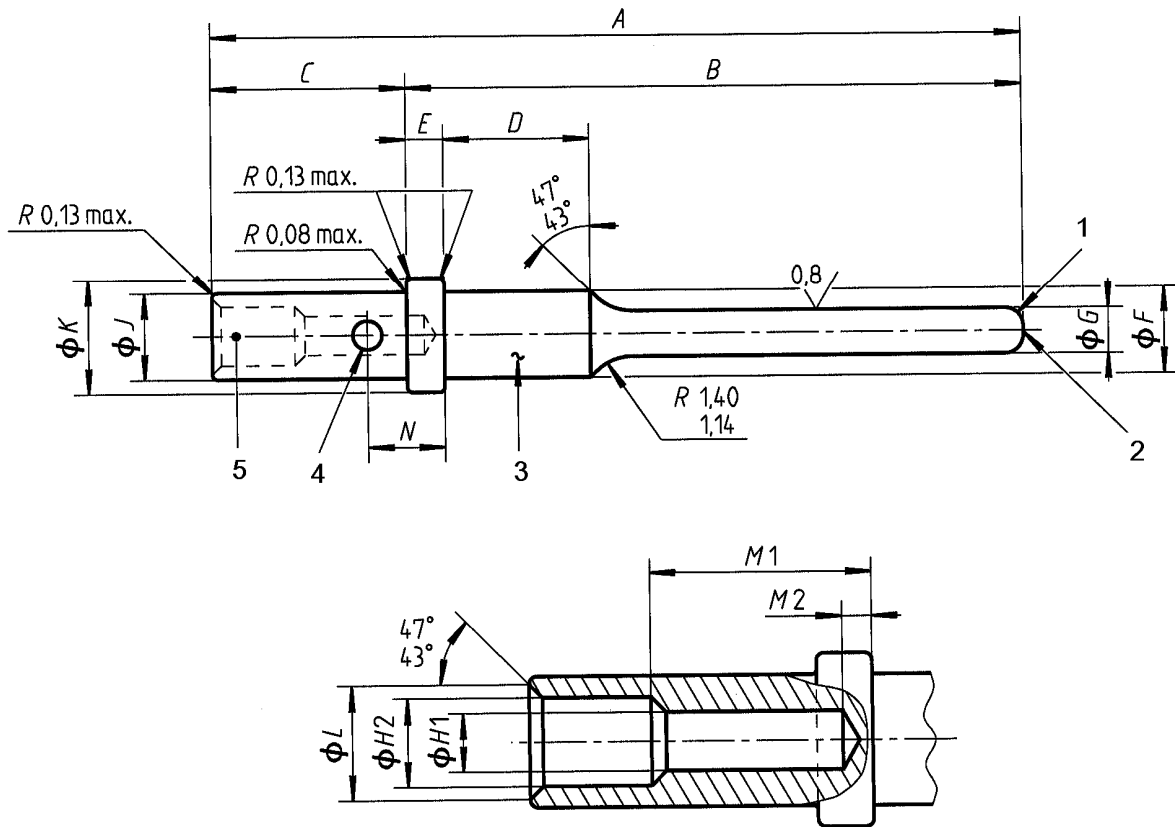
Dimensions are in millimetres.

See Figure 1 and Table 1.

* All parts quoted in this standard.

1) Published as AECMA Prestandard at the date of publication of this standard.

2) Published by: Department of Defense (DOD), The Pentagon, Washington D.C. 20301, USA.



Key

- 1 Approximately spherical
- 2 Flat ϕS
- 3 Manufacturer identification
- 4 ϕP (one side only)
- 5 White dot

Figure 1 — Detail of barrel

Table 1

Size		A	B	C	D	E	F	G	H ₁	H ₂
Contact	Barrel	max.								
20	22	18,29	13,94 13,79	4,34 4,06	3,30 3,17	0,84 0,74	1,98 1,93	1,04 0,99	0,89 0,84	1,34 1,29

Size		J	K	L	M ₁	M ₂	N	P	S	Mass
Contact	Barrel									g
20	22	1,98 1,93	2,62 2,54	1,74 1,69	3,35 3,06	0,45 0,15	1,73 1,35	0,81 0,66	0,51 0,13	0,27

4.2 Material, protective plating

- Body material : copper alloy
- Protective plating : selective protection not permitted ; minimum gold thickness: 1,27 µm nickel undercoat

4.3 Permissible cables

See Table 2.

Table 2

Size		Size of conductors				Rated test current A
Contact	Barrel	AECMA Code	Section mm ²	AWG ^a	∅ insulation max.	
20	22	004	0,4	22	1,25	5

^a AWG = American Wire Gage.

4.4 Cable stripping

See Table 3.

Table 3

Size		Stripped length of cable mm ± 0,3
Contact	Barrel	
20	22	2,3

4.5 Tooling

Conform to MIL-DTL-22520 and MIL-I-81969.

See Table 4.

Table 4

Size		Cable size		Crimping tool			Insertion tool	Extraction tools	
Contact	Barrel	AECMA code	AWG ^a	Tool	Positioner	Selector number		Wired contact	Unwired contact
20	22	004	22	M22520/1-01	M22520/1-02 red	4	M81969/14-11	M81969/14-11	M81969/30-05

^a AWG = American Wire Gage.

4.6 Tests

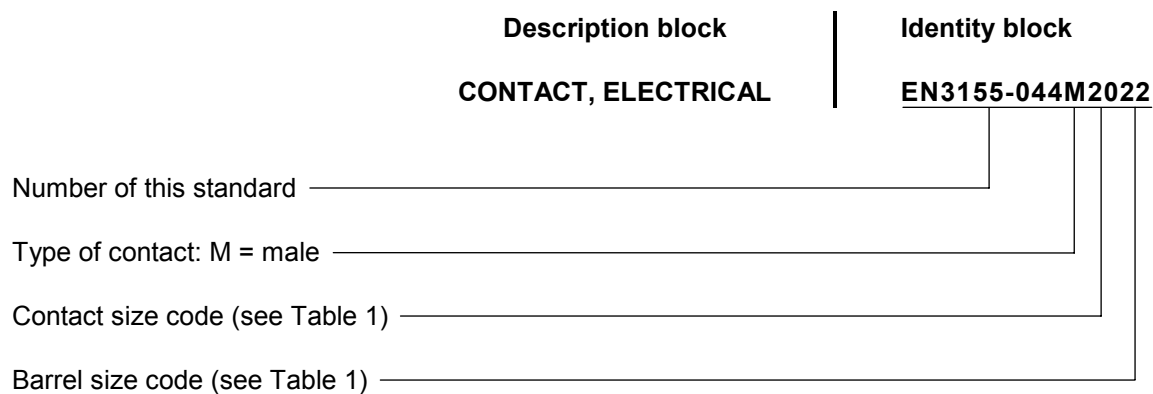
See Table 5.

Table 5

EN 2591-	Test	Not applicable	Applicable	
			According to EN 3155-001	Remarks
101	Visual examination		X	
102	Examination of dimensions and mass		X	
201	Contact resistance - low level		X	
202	Contact resistance at rated current		X	
204	Discontinuity of contacts in the microsecond range		X	
206	Measurement of insulation resistance	X		
207	Voltage proof test	X		
210	Electrical overload		X	
211	Capacitance	X		
212	Surface transfer impedance	X		
213	Shielding effectiveness from 100 MHz to 1 GHz	X		
301	Endurance at temperature		X	$T = (200 \pm 2) ^\circ\text{C}$ Duration: 1 000 h
305	Rapid change of temperature		X	$T_A = (200 \pm 2) ^\circ\text{C}$ $T_B = (-65 \pm 2) ^\circ\text{C}$
306	Mould growth	X		
307	Salt mist		X	
315	Fluid resistance	X		
402	Shock		X	
403	Sinusoidal and random vibration		X	
406	Mechanical endurance		X	
415	Test probe damage (female contact)	X		
416	Contact bending strength		X	
417	Tensile strength (crimped connection)		X	Crimping on sheath, inoperative
418	Gauge insertion/extraction forces (female contacts)	X		
502	Restricted entry	X		
503	Contact deformation after crimping		X	
508	Measurement of thickness of coating on contacts		X	
509	Adhesion of coating on contacts		X	
513	Magnetic permeability		X	≤ 2

5 Designation

EXAMPLE



NOTE If necessary, the code I9005 shall be placed between the description block and the identity block.

6 Marking

See EN 3155-001.

7 Technical specification

See EN 3155-001.

BSI — British Standards Institution

BSI is the independent national body responsible for preparing British Standards. It presents the UK view on standards in Europe and at the international level. It is incorporated by Royal Charter.

Revisions

British Standards are updated by amendment or revision. Users of British Standards should make sure that they possess the latest amendments or editions.

It is the constant aim of BSI to improve the quality of our products and services. We would be grateful if anyone finding an inaccuracy or ambiguity while using this British Standard would inform the Secretary of the technical committee responsible, the identity of which can be found on the inside front cover.
Tel: +44 (0)20 8996 9000. Fax: +44 (0)20 8996 7400.

BSI offers members an individual updating service called PLUS which ensures that subscribers automatically receive the latest editions of standards.

Buying standards

Orders for all BSI, international and foreign standards publications should be addressed to Customer Services. Tel: +44 (0)20 8996 9001.
Fax: +44 (0)20 8996 7001. Email: orders@bsi-global.com. Standards are also available from the BSI website at <http://www.bsi-global.com>.

In response to orders for international standards, it is BSI policy to supply the BSI implementation of those that have been published as British Standards, unless otherwise requested.

Information on standards

BSI provides a wide range of information on national, European and international standards through its Library and its Technical Help to Exporters Service. Various BSI electronic information services are also available which give details on all its products and services. Contact the Information Centre.
Tel: +44 (0)20 8996 7111. Fax: +44 (0)20 8996 7048. Email: info@bsi-global.com.

Subscribing members of BSI are kept up to date with standards developments and receive substantial discounts on the purchase price of standards. For details of these and other benefits contact Membership Administration.
Tel: +44 (0)20 8996 7002. Fax: +44 (0)20 8996 7001.
Email: membership@bsi-global.com.

Information regarding online access to British Standards via British Standards Online can be found at <http://www.bsi-global.com/bsonline>.

Further information about BSI is available on the BSI website at <http://www.bsi-global.com>.

Copyright

Copyright subsists in all BSI publications. BSI also holds the copyright, in the UK, of the publications of the international standardization bodies. Except as permitted under the Copyright, Designs and Patents Act 1988 no extract may be reproduced, stored in a retrieval system or transmitted in any form or by any means – electronic, photocopying, recording or otherwise – without prior written permission from BSI.

This does not preclude the free use, in the course of implementing the standard, of necessary details such as symbols, and size, type or grade designations. If these details are to be used for any other purpose than implementation then the prior written permission of BSI must be obtained.

Details and advice can be obtained from the Copyright & Licensing Manager.
Tel: +44 (0)20 8996 7070. Fax: +44 (0)20 8996 7553.
Email: copyright@bsi-global.com.