

BS EN 2240-089:2011



BSI Standards Publication

Aerospace series — Lamps, incandescent

Part 089: Lamp, code A7512-24 — Product
standard

bsi.

...making excellence a habit.™

National foreword

This British Standard is the UK implementation of EN 2240-089:2011.

The UK participation in its preparation was entrusted to Technical Committee ACE/6, Aerospace avionic electrical and fibre optic technology.

A list of organizations represented on this committee can be obtained on request to its secretary.

This publication does not purport to include all the necessary provisions of a contract. Users are responsible for its correct application.

© BSI 2011

ISBN 978 0 580 74295 8

ICS 49.060

Compliance with a British Standard cannot confer immunity from legal obligations.

This British Standard was published under the authority of the Standards Policy and Strategy Committee on 31 August 2011.

Amendments issued since publication

Date	Text affected
------	---------------

EUROPEAN STANDARD

EN 2240-089

NORME EUROPÉENNE

EUROPÄISCHE NORM

August 2011

ICS 49.060

English Version

**Aerospace series - Lamps, incandescent - Part 089: Lamp, code
A7512-24 - Product standard**

Série aérospatiale - Lampes à incandescence - Partie 089:
Lampe, code A7512-24 - Norme de produit

Luft- und Raumfahrt - Glühlampen - Teil 089: Lampe, Kode
A7512-24 - Produktnorm

This European Standard was approved by CEN on 28 April 2011.

CEN members are bound to comply with the CEN/CENELEC Internal Regulations which stipulate the conditions for giving this European Standard the status of a national standard without any alteration. Up-to-date lists and bibliographical references concerning such national standards may be obtained on application to the CEN-CENELEC Management Centre or to any CEN member.

This European Standard exists in three official versions (English, French, German). A version in any other language made by translation under the responsibility of a CEN member into its own language and notified to the CEN-CENELEC Management Centre has the same status as the official versions.

CEN members are the national standards bodies of Austria, Belgium, Bulgaria, Croatia, Cyprus, Czech Republic, Denmark, Estonia, Finland, France, Germany, Greece, Hungary, Iceland, Ireland, Italy, Latvia, Lithuania, Luxembourg, Malta, Netherlands, Norway, Poland, Portugal, Romania, Slovakia, Slovenia, Spain, Sweden, Switzerland and United Kingdom.



EUROPEAN COMMITTEE FOR STANDARDIZATION
COMITÉ EUROPÉEN DE NORMALISATION
EUROPÄISCHES KOMITEE FÜR NORMUNG

Management Centre: Avenue Marnix 17, B-1000 Brussels

Contents		Page
	Foreword	3
1	Scope	4
2	Normative references	4
3	Required characteristics	5
4	Designation	6
5	Marking	6
6	Technical specification	6

Foreword

This document (EN 2240-089:2011) has been prepared by the Aerospace and Defence Industries Association of Europe - Standardization (ASD-STAN).

After enquiries and votes carried out in accordance with the rules of this Association, this Standard has received the approval of the National Associations and the Official Services of the member countries of ASD, prior to its presentation to CEN.

This European Standard shall be given the status of a national standard, either by publication of an identical text or by endorsement, at the latest by February 2012, and conflicting national standards shall be withdrawn at the latest by February 2012.

Attention is drawn to the possibility that some of the elements of this document may be the subject of patent rights. CEN [and/or CENELEC] shall not be held responsible for identifying any or all such patent rights.

According to the CEN/CENELEC Internal Regulations, the national standards organizations of the following countries are bound to implement this European Standard: Austria, Belgium, Bulgaria, Croatia, Cyprus, Czech Republic, Denmark, Estonia, Finland, France, Germany, Greece, Hungary, Iceland, Ireland, Italy, Latvia, Lithuania, Luxembourg, Malta, Netherlands, Norway, Poland, Portugal, Romania, Slovakia, Slovenia, Spain, Sweden, Switzerland and the United Kingdom.

1 Scope

This European Standard specifies the required characteristics for lamp, code A7512-24, for aerospace applications.

It should be used together with EN 2756.

2 Normative references

The following referenced documents are indispensable for the application of this document. For dated references, only the edition cited applies. For undated references, the latest edition of the referenced document (including any amendments) applies.

EN 2240-001, *Aerospace series — Lamps, incandescent — Part 001: Technical specification*

EN 2240-002, *Aerospace series — Lamps, incandescent — Part 002: Main characteristics*

EN 2241, *Aerospace series — Lamp caps — Dimensions*

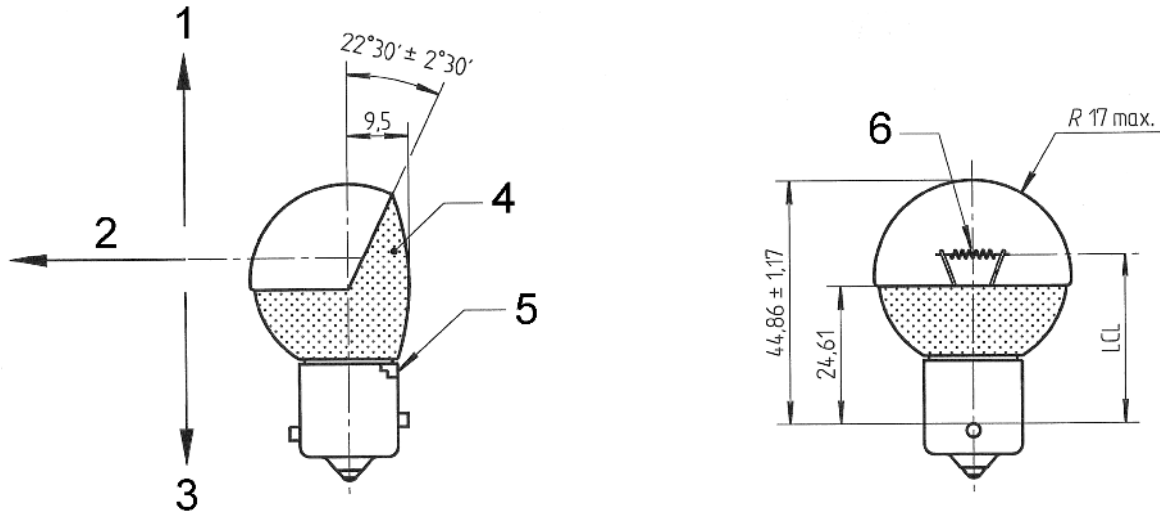
EN 2756, *Aerospace series — Lamps, incandescent — Test methods*

3 Required characteristics

3.1 Dimensions and mass

See Figure 1 and Table 1.

Dimensions are given in millimetres.



Key

- | | | | |
|---|-------------|---|-----------------|
| 1 | Outboard | 4 | Reflective area |
| 2 | Flight axis | 5 | Side solder |
| 3 | Inboard | 6 | Light centre |

Figure 1

Table 1

Bulb appearance		Silvered	
Nominal voltage	V	28	
Nominal current	A	0,93	
Nominal power	W	26	
Luminous intensity	C1	cd	200
	C2	cd	25
Colour temperature	K	2 760	
Life	Static with d.c.	h	300
	Dynamic with d.c.	h	150
	Static with a.c.	h	400
Reduced voltage	V	-	
Luminous flux at reduced voltage	lm	-	
Form of filament	CC - 6		
Light Centre Length (LCL)	29,4 ± 1		
Mass (for 1 000)	kg	10	

3.2 Other characteristics

See Table 1 and Table 2.

Table 2

	Light distribution			
	In horizontal plane containing flight axis		In vertical plane containing flight axis above and below flight axis	
Angle of distribution	From 2° inboard to 15° outboard	From 15° outboard to 100° outboard	From 0° to 20°	From 20° to 80°
Luminous intensity	C1 min.	C2 min.	180 cd min.	20 cd min.

3.3 Form of filament

See EN 2240-002.

3.4 Cap

BAY15s/19: see EN 2241.

4 Designation

EXAMPLE



Number of the basic standard _____

Code (see EN 2240-002) _____

NOTE If necessary, the code I9005 shall be placed between the description block and the identity block.

5 Marking

Unless there is not enough space, the lamp and its packaging shall be marked with the international code number such as indicated in EN 2240-002.

6 Technical specification

See EN 2240-001.

British Standards Institution (BSI)

BSI is the national body responsible for preparing British Standards and other standards-related publications, information and services.

BSI is incorporated by Royal Charter. British Standards and other standardization products are published by BSI Standards Limited.

About us

We bring together business, industry, government, consumers, innovators and others to shape their combined experience and expertise into standards-based solutions.

The knowledge embodied in our standards has been carefully assembled in a dependable format and refined through our open consultation process. Organizations of all sizes and across all sectors choose standards to help them achieve their goals.

Information on standards

We can provide you with the knowledge that your organization needs to succeed. Find out more about British Standards by visiting our website at bsigroup.com/standards or contacting our Customer Services team or Knowledge Centre.

Buying standards

You can buy and download PDF versions of BSI publications, including British and adopted European and international standards, through our website at bsigroup.com/shop, where hard copies can also be purchased.

If you need international and foreign standards from other Standards Development Organizations, hard copies can be ordered from our Customer Services team.

Subscriptions

Our range of subscription services are designed to make using standards easier for you. For further information on our subscription products go to bsigroup.com/subscriptions.

With **British Standards Online (BSOL)** you'll have instant access to over 55,000 British and adopted European and international standards from your desktop. It's available 24/7 and is refreshed daily so you'll always be up to date.

You can keep in touch with standards developments and receive substantial discounts on the purchase price of standards, both in single copy and subscription format, by becoming a **BSI Subscribing Member**.

PLUS is an updating service exclusive to BSI Subscribing Members. You will automatically receive the latest hard copy of your standards when they're revised or replaced.

To find out more about becoming a BSI Subscribing Member and the benefits of membership, please visit bsigroup.com/shop.

With a **Multi-User Network Licence (MUNL)** you are able to host standards publications on your intranet. Licences can cover as few or as many users as you wish. With updates supplied as soon as they're available, you can be sure your documentation is current. For further information, email bsmusales@bsigroup.com.

BSI Group Headquarters

389 Chiswick High Road London W4 4AL UK

Revisions

Our British Standards and other publications are updated by amendment or revision.

We continually improve the quality of our products and services to benefit your business. If you find an inaccuracy or ambiguity within a British Standard or other BSI publication please inform the Knowledge Centre.

Copyright

All the data, software and documentation set out in all British Standards and other BSI publications are the property of and copyrighted by BSI, or some person or entity that owns copyright in the information used (such as the international standardization bodies) and has formally licensed such information to BSI for commercial publication and use. Except as permitted under the Copyright, Designs and Patents Act 1988 no extract may be reproduced, stored in a retrieval system or transmitted in any form or by any means – electronic, photocopying, recording or otherwise – without prior written permission from BSI. Details and advice can be obtained from the Copyright & Licensing Department.

Useful Contacts:

Customer Services

Tel: +44 845 086 9001

Email (orders): orders@bsigroup.com

Email (enquiries): cservices@bsigroup.com

Subscriptions

Tel: +44 845 086 9001

Email: subscriptions@bsigroup.com

Knowledge Centre

Tel: +44 20 8996 7004

Email: knowledgecentre@bsigroup.com

Copyright & Licensing

Tel: +44 20 8996 7070

Email: copyright@bsigroup.com



...making excellence a habit.™