

Aerospace series — Lamps, incandescent

Part 021: Lamp, code 313 — Product standard

ICS 49.060

National foreword

This British Standard is the UK implementation of EN 2240-021:2010.

The UK participation in its preparation was entrusted to Technical Committee ACE/6, Aerospace avionic electrical and fibre optic technology.

A list of organizations represented on this committee can be obtained on request to its secretary.

This publication does not purport to include all the necessary provisions of a contract. Users are responsible for its correct application.

Compliance with a British Standard cannot confer immunity from legal obligations.

This British Standard was published under the authority of the Standards Policy and Strategy Committee on 31 March 2010

© BSI 2010

ISBN 978 0 580 69392 2

Amendments/corrigenda issued since publication

Date	Comments

EUROPEAN STANDARD

EN 2240-021

NORME EUROPÉENNE

EUROPÄISCHE NORM

March 2010

ICS 49.060

English Version

**Aerospace series - Lamps, incandescent - Part 021: Lamp, code
313 - Product standard**

Série aérospatiale - Lampes à incandescence - Partie 021:
Lampe, code 313 - Norme de produit

Luft- und Raumfahrt - Glühlampen - Teil 021: Lampe, Kode
313 - Produktnorm

This European Standard was approved by CEN on 16 January 2010.

CEN members are bound to comply with the CEN/CENELEC Internal Regulations which stipulate the conditions for giving this European Standard the status of a national standard without any alteration. Up-to-date lists and bibliographical references concerning such national standards may be obtained on application to the CEN Management Centre or to any CEN member.

This European Standard exists in three official versions (English, French, German). A version in any other language made by translation under the responsibility of a CEN member into its own language and notified to the CEN Management Centre has the same status as the official versions.

CEN members are the national standards bodies of Austria, Belgium, Bulgaria, Croatia, Cyprus, Czech Republic, Denmark, Estonia, Finland, France, Germany, Greece, Hungary, Iceland, Ireland, Italy, Latvia, Lithuania, Luxembourg, Malta, Netherlands, Norway, Poland, Portugal, Romania, Slovakia, Slovenia, Spain, Sweden, Switzerland and United Kingdom.



EUROPEAN COMMITTEE FOR STANDARDIZATION
COMITÉ EUROPÉEN DE NORMALISATION
EUROPÄISCHES KOMITEE FÜR NORMUNG

Management Centre: Avenue Marnix 17, B-1000 Brussels

© 2010 CEN All rights of exploitation in any form and by any means reserved
worldwide for CEN national Members.

Ref. No. EN 2240-021:2010: E

Contents

Page

Foreword.....	3
1 Scope	4
2 Normative references	4
3 Required characteristics	5
4 Designation	6
5 Marking	6
6 Technical specification	6

Foreword

This document (EN 2240-021:2010) has been prepared by the Aerospace and Defence Industries Association of Europe - Standardization (ASD-STAN).

After enquiries and votes carried out in accordance with the rules of this Association, this Standard has received the approval of the National Associations and the Official Services of the member countries of ASD, prior to its presentation to CEN.

This European Standard shall be given the status of a national standard, either by publication of an identical text or by endorsement, at the latest by September 2010, and conflicting national standards shall be withdrawn at the latest by September 2010.

Attention is drawn to the possibility that some of the elements of this document may be the subject of patent rights. CEN [and/or CENELEC] shall not be held responsible for identifying any or all such patent rights.

According to the CEN/CENELEC Internal Regulations, the national standards organizations of the following countries are bound to implement this European Standard: Austria, Belgium, Bulgaria, Croatia, Cyprus, Czech Republic, Denmark, Estonia, Finland, France, Germany, Greece, Hungary, Iceland, Ireland, Italy, Latvia, Lithuania, Luxembourg, Malta, Netherlands, Norway, Poland, Portugal, Romania, Slovakia, Slovenia, Spain, Sweden, Switzerland and the United Kingdom.

1 Scope

This standard specifies the required characteristics for lamp, code 313, for aerospace applications.

It shall be used together with EN 2756.

2 Normative references

The following referenced documents are indispensable for the application of this document. For dated references, only the edition cited applies. For undated references, the latest edition of the referenced document (including any amendments) applies.

EN 2240-001, *Aerospace series — Lamps, incandescent — Part 001: Technical specification*

EN 2240-002, *Aerospace series — Lamps, incandescent — Part 002: Main characteristics*

EN 2241, *Aerospace series — Lamp caps — Dimensions* ¹⁾

EN 2756, *Aerospace series — Lamps, incandescent — Test methods*

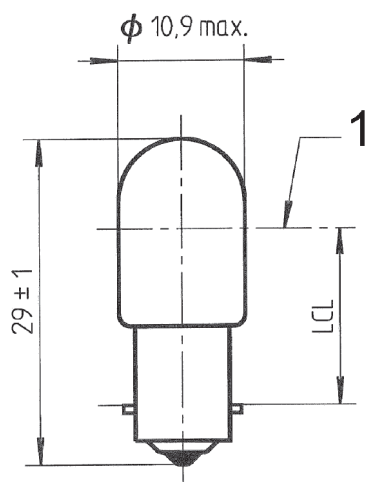
1) Published as ASD-STAN Prestandard at the date of publication of this standard.

3 Required characteristics

3.1 Dimensions and mass

See Figure 1 and Table 1.

Dimensions are given in millimetres.



Key

1 Light centre

Figure 1

Table 1

Bulb appearance		Clear	
Nominal voltage	V	28	
Nominal current	A	0,17	
Nominal power	W	4,76	
Nominal luminous flux	lm	42	
Colour temperature	K	2 400	
Life	Static with d.c.	h	500
	Dynamic with d.c.	h	–
	Static with a.c.	h	750
Reduced voltage	V	–	
Luminous flux at reduced voltage	lm	–	
Form of filament	C - 2F C - 2V		
Light Centre Length (LCL)	16 ± 2		
Mass (for 1 000)	kg	2,25	

3.2 Other characteristics

See Table 1.

3.3 Form of filament

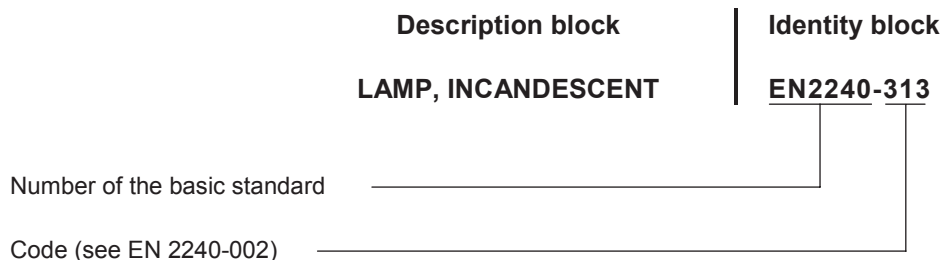
See EN 2240-002.

3.4 Cap

BA9s/14: see EN 2241.

4 Designation

EXAMPLE



NOTE If necessary, the code I9005 shall be placed between the description block and the identity block.

5 Marking

Unless there is not enough space, the lamp and its packaging shall be marked with the international code number such as indicated in EN 2240-002.

6 Technical specification

See EN 2240-001.

.....

BSI - British Standards Institution

BSI is the independent national body responsible for preparing British Standards. It presents the UK view on standards in Europe and at the international level. It is incorporated by Royal Charter.

Revisions

British Standards are updated by amendment or revision. Users of British Standards should make sure that they possess the latest amendments or editions.

It is the constant aim of BSI to improve the quality of our products and services. We would be grateful if anyone finding an inaccuracy or ambiguity while using this British Standard would inform the Secretary of the technical committee responsible, the identity of which can be found on the inside front cover. Tel: +44 (0)20 8996 9000. Fax: +44 (0)20 8996 7400.

BSI offers members an individual updating service called PLUS which ensures that subscribers automatically receive the latest editions of standards.

Buying standards

Orders for all BSI, international and foreign standards publications should be addressed to Customer Services. Tel: +44 (0)20 8996 9001. Fax: +44 (0)20 8996 7001 Email: orders@bsigroup.com You may also buy directly using a debit/credit card from the BSI Shop on the Website <http://www.bsigroup.com/shop>

In response to orders for international standards, it is BSI policy to supply the BSI implementation of those that have been published as British Standards, unless otherwise requested.

Information on standards

BSI provides a wide range of information on national, European and international standards through its Library and its Technical Help to Exporters Service. Various BSI electronic information services are also available which give details on all its products and services. Contact Information Centre. Tel: +44 (0)20 8996 7111 Fax: +44 (0)20 8996 7048 Email: info@bsigroup.com

Subscribing members of BSI are kept up to date with standards developments and receive substantial discounts on the purchase price of standards. For details of these and other benefits contact Membership Administration. Tel: +44 (0)20 8996 7002 Fax: +44 (0)20 8996 7001 Email: membership@bsigroup.com

Information regarding online access to British Standards via British Standards Online can be found at <http://www.bsigroup.com/BSOL>

Further information about BSI is available on the BSI website at <http://www.bsigroup.com>.

Copyright

Copyright subsists in all BSI publications. BSI also holds the copyright, in the UK, of the publications of the international standardization bodies. Except as permitted under the Copyright, Designs and Patents Act 1988 no extract may be reproduced, stored in a retrieval system or transmitted in any form or by any means – electronic, photocopying, recording or otherwise – without prior written permission from BSI.

This does not preclude the free use, in the course of implementing the standard, of necessary details such as symbols, and size, type or grade designations. If these details are to be used for any other purpose than implementation then the prior written permission of BSI must be obtained.

Details and advice can be obtained from the Copyright and Licensing Manager. Tel: +44 (0)20 8996 7070 Email: copyright@bsigroup.com

BSI Group
Headquarters 389
Chiswick High Road,
London, W4 4AL, UK
Tel +44 (0)20 8996 9001
Fax +44 (0)20 8996 7001
[www.bsigroup.com/
standards](http://www.bsigroup.com/standards)