

BS EN 1373:2015



BSI Standards Publication

Adhesives — Test method for adhesives for floor and wall coverings — Shear test

bsi.

...making excellence a habit.™

National foreword

This British Standard is the UK implementation of EN 1373:2015. It supersedes BS EN 1373:2000 which is withdrawn.

The UK participation in its preparation was entrusted to Technical Committee PRI/52, Adhesives.

A list of organizations represented on this committee can be obtained on request to its secretary.

This publication does not purport to include all the necessary provisions of a contract. Users are responsible for its correct application.

© The British Standards Institution 2015. Published by BSI Standards Limited 2015

ISBN 978 0 580 85707 2

ICS 83.180

Compliance with a British Standard cannot confer immunity from legal obligations.

This British Standard was published under the authority of the Standards Policy and Strategy Committee on 30 April 2015.

Amendments issued since publication

Date	Text affected
------	---------------

EUROPEAN STANDARD

EN 1373

NORME EUROPÉENNE

EUROPÄISCHE NORM

April 2015

ICS 83.180

Supersedes EN 1373:1999

English Version

Adhesives - Test method for adhesives for floor and wall coverings - Shear test

Adhésifs - Méthodes d'essais d'adhésifs pour revêtements de sol et muraux - Essai de cisaillement

Klebstoffe - Prüfverfahren für Klebstoffe für Boden- und Wandbeläge - Scherversuch

This European Standard was approved by CEN on 16 February 2015.

CEN members are bound to comply with the CEN/CENELEC Internal Regulations which stipulate the conditions for giving this European Standard the status of a national standard without any alteration. Up-to-date lists and bibliographical references concerning such national standards may be obtained on application to the CEN-CENELEC Management Centre or to any CEN member.

This European Standard exists in three official versions (English, French, German). A version in any other language made by translation under the responsibility of a CEN member into its own language and notified to the CEN-CENELEC Management Centre has the same status as the official versions.

CEN members are the national standards bodies of Austria, Belgium, Bulgaria, Croatia, Cyprus, Czech Republic, Denmark, Estonia, Finland, Former Yugoslav Republic of Macedonia, France, Germany, Greece, Hungary, Iceland, Ireland, Italy, Latvia, Lithuania, Luxembourg, Malta, Netherlands, Norway, Poland, Portugal, Romania, Slovakia, Slovenia, Spain, Sweden, Switzerland, Turkey and United Kingdom.



EUROPEAN COMMITTEE FOR STANDARDIZATION
COMITÉ EUROPÉEN DE NORMALISATION
EUROPÄISCHES KOMITEE FÜR NORMUNG

CEN-CENELEC Management Centre: Avenue Marnix 17, B-1000 Brussels

Contents		Page
Foreword.....		3
1	Scope	4
2	Normative references	4
3	Terms and definitions	4
4	Principle.....	4
5	Apparatus and materials.....	5
6	Preparation of the test specimens	6
6.1	Cleaning.....	6
6.2	Sampling of adhesive.....	6
6.3	Conditioning of materials	6
6.3.1	Adhesive and floor and wall coverings	6
6.3.2	Fibre cement substrate	6
6.3.3	Plywood substrates	7
6.4	Application of adhesive	7
6.5	Bonding of the test covering	7
7	Conditioning of the test specimens	8
8	Test procedure	8
9	Evaluation and expression of results	9
10	Test report	9

Foreword

This document (EN 1373:2015) has been prepared by Technical Committee CEN/TC 193 “Adhesives”, the secretariat of which is held by AENOR.

This European Standard shall be given the status of a national standard, either by publication of an identical text or by endorsement, at the latest by October 2015 and conflicting national standards shall be withdrawn at the latest by October 2015.

Attention is drawn to the possibility that some of the elements of this document may be the subject of patent rights. CEN [and/or CENELEC] shall not be held responsible for identifying any or all such patent rights.

This document supersedes EN 1373:1999.

The main changes in respect to EN 1373:1999 are the addition of a plywood substrate and the change of the roller dimensions.

SAFETY PRECAUTIONS — Persons using this document should be familiar with the normal laboratory practice, if applicable. This document does not purport to address all of the safety problems, if any, associated with its use. It is the responsibility of the user to establish appropriate safety and health practices and to ensure compliance with any regulatory conditions.

According to the CEN-CENELEC Internal Regulations, the national standards organizations of the following countries are bound to implement this European Standard: Austria, Belgium, Bulgaria, Croatia, Cyprus, Czech Republic, Denmark, Estonia, Finland, Former Yugoslav Republic of Macedonia, France, Germany, Greece, Hungary, Iceland, Ireland, Italy, Latvia, Lithuania, Luxembourg, Malta, Netherlands, Norway, Poland, Portugal, Romania, Slovakia, Slovenia, Spain, Sweden, Switzerland, Turkey and the United Kingdom.

1 Scope

This European Standard specifies a test method to measure the adhesion of a resilient or textile floor covering or wall covering bonded to a given substrate under shear forces. The term “wall covering” does not include any type of wallpaper.

2 Normative references

The following documents, in whole or in part, are normatively referenced in this document and are indispensable for its application. For dated references, only the edition cited applies. For undated references, the latest edition of the referenced document (including any amendments) applies.

EN 923:2005+A1:2008, *Adhesives - Terms and definitions*

EN 1067, *Adhesives - Examination and preparation of samples for testing*

EN ISO 7500-1, *Metallic materials - Verification of static uniaxial testing machines - Part 1: Tension/compression testing machines - Verification and calibration of the force-measuring system (ISO 7500-1)*

EN ISO 9142, *Adhesives - Guide to the selection of standard laboratory ageing conditions for testing bonded joints (ISO 9142)*

EN ISO 10365, *Adhesives - Designation of main failure patterns (ISO 10365)*

EN ISO 15605, *Adhesives - Sampling (ISO 15605)*

ISO 554, *Standard atmospheres for conditioning and/or testing - Specifications*

ISO 3205, *Preferred test temperatures*

3 Terms and definitions

For the purposes of this document, the terms and definitions given in EN 923:2005+A1:2008 and the following apply.

3.1

covering

flexible resilient or textile floor covering or wall covering

3.2

adhesive for coverings

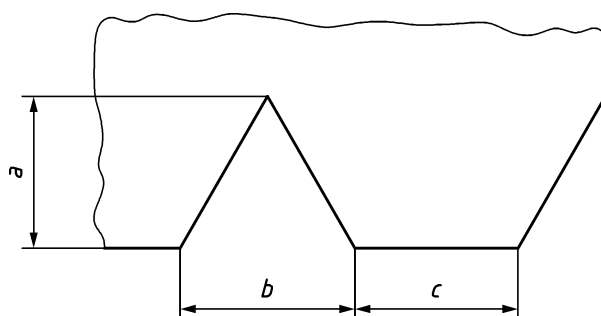
adhesive which is intended to produce firm and durable bonds between coverings and various substrates

4 Principle

The adhesion is determined by measuring the shear strength under specified conditions before and after storing the bonds at 23 °C/ 50 °C under specified conditions.

5 Apparatus and materials

5.1 Notched trowel (for the shape of the notch, see Figure 1) with dimensions a , b and c specified by the adhesive manufacturer.



Key

- a notch depth
- b notch width
- c notch distance

Figure 1 — Shape of notches of notched trowel

5.2 Roller, of width (60 ± 5) mm, diameter (90 ± 5) mm and total mass $(3,50 \pm 0,05)$ kg with handle at 90° to the axis (as an example, see Figure 2).

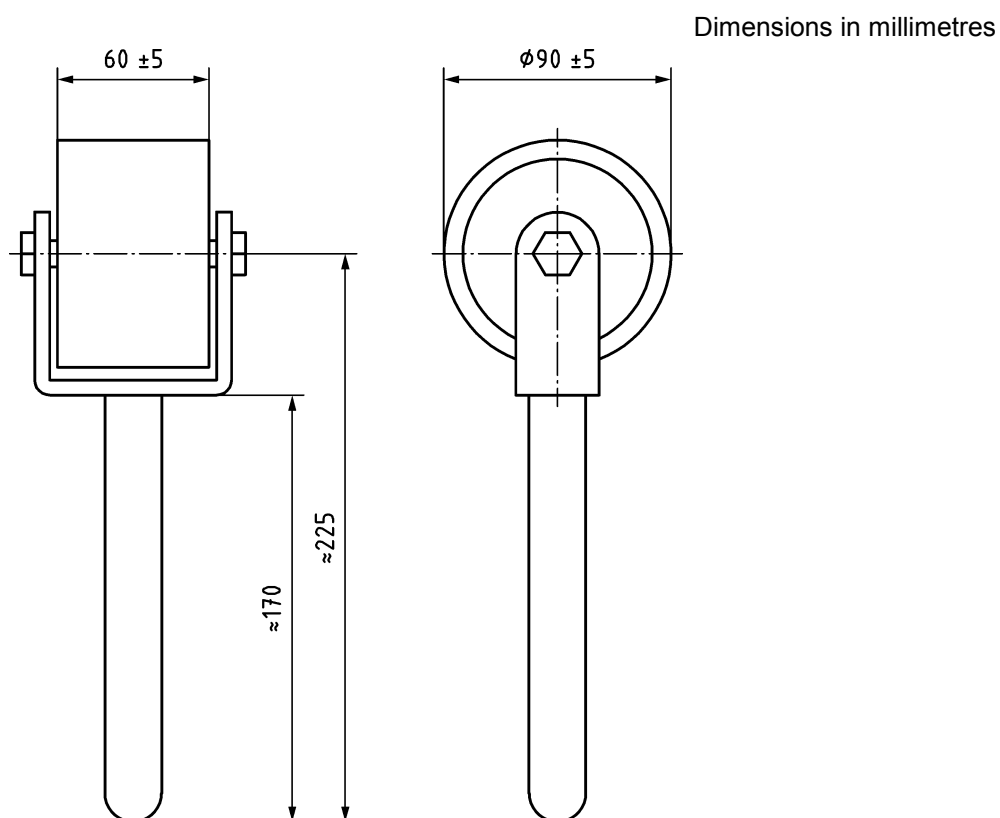


Figure 2 — Roller

NOTE The length of the handle is not critical and can be used for setting the total mass.

5.3 Heating chamber, ventilated and adjustable to a temperature between 20 °C and 200 °C according to EN ISO 9142.

5.4 Tensile testing machine, conforming to EN ISO 7500-1, class 1.

5.5 Primer, if applicable.

5.6 Test covering, five test pieces for each conditioning sequence of dimensions 60 mm × 50 mm, the long side, running in the machine direction where this can be identified, and shall be taken at least 10 mm from the edge.

5.7 Substrate materials:

Use either fibre cement or plywood as the substrate.

5.7.1 Fibre cement substrate, one uncoated fibre cement panel, fully compressed and autoclaved, for each test piece. Five fibre cement panels for each conditioning sequence with a length of approximately 60 mm and a thickness of approximately 8,0 mm. The width is $(50 \pm 0,5)$ mm.

NOTE 1 Length and thickness are not critical.

NOTE 2 Depending on the source of the fibre cement panels the surfaces sometimes differ with respect to gloss, absorbency and strength. In this case, it is important to do some preliminary assessment (i.e. peel tests) of the panels to identify the preferred side for testing. The preferred side will be called the upper side of the substrate in this standard.

If failure of the substrate is the main finding of the preliminary assessment, a suitable primer may be used for testing.

5.7.2 Plywood substrate, one uncoated plywood panel for each test piece. Five plywood panels for each conditioning sequence with a length of approximately 60 mm and a thickness of approximately 5,0 mm. The width is $(50 \pm 0,5)$ mm.

NOTE Length and thickness are not critical.

6 Preparation of the test specimens

6.1 Cleaning

Ensure that all test coverings and substrate materials are clean and free from dust, loose particles or other contamination.

6.2 Sampling of adhesive

Take a sample in accordance with EN ISO 15605 of the adhesive to be tested and examine and prepare it in accordance with EN 1067.

6.3 Conditioning of materials

6.3.1 Adhesive and floor and wall coverings

Condition the materials at a standard atmosphere of (23 ± 2) °C and (50 ± 5) % relative humidity in accordance with ISO 554 for at least 24 h prior to use.

6.3.2 Fibre cement substrate

Place the test panels (5.7.1) in a heating chamber (5.3) for 6 h at (80 ± 2) °C. Ensure that the test panels are spaced in such a way as to enable a free passage of air over them. At the end of this period, remove the test

panels from the heating chamber and store for 48 h in a standard atmosphere of $(23 \pm 2) ^\circ\text{C}$ and $(50 \pm 5) \%$ relative humidity prior to use.

6.3.3 Plywood substrates

Condition the materials at a standard atmosphere of $(23 \pm 2) ^\circ\text{C}$ and $(50 \pm 5) \%$ relative humidity in accordance with ISO 554 for at least 24 h prior to use.

6.4 Application of adhesive

Place masking tape across one end of the upper side of each substrate so as to leave 20 mm length to be coated with adhesive.

Apply the adhesive under test across the full width of the substrate using a notched trowel (5.1), held at an angle of approximately 60° , steadily down the length of the substrate to provide a uniform adhesive application.

Remove the masking tape when the adhesive has been applied.

When applying the adhesive, it is essential that the serrated blade is kept clean and free of adhesive build-up. Clean the blade regularly (no more than five substrates to be prepared without cleaning). In addition, regularly check the notch size and depth, especially where non-hardened steel blades are in use.

6.5 Bonding of the test covering

After a time recommended by the adhesive manufacturer (i.e. minimum open time in accordance with EN 923), place the test covering (see 5.6) onto the coated panel (5.7) to provide an overlap of 20 mm such that the unbonded length protrudes from the edge of the panel coated with adhesive (see Figure 3).

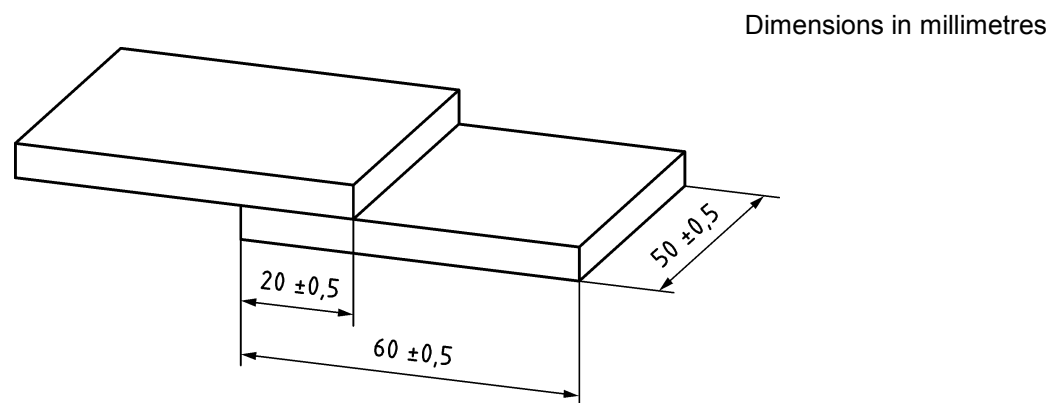


Figure 3 — Shear test specimen

Immediately after positioning the test covering, roll the test specimen with a roller (see 5.2) by passing forward and backward once along the test specimen without any additional pressure being applied.

As the adhesive has not yet set it should be ensured that the overlapping area remains 20 mm x 50 mm without any shift during the subsequent treatments of the test coverings.

Before applying the roller it is advisable to support the unbonded area of the test covering by an additional panel of the same thickness in order to avoid tilting.

To prevent the test covering from slipping caused by the roller an appropriate frame or mould for the substrate sheets in combination with range spacers can be used for the covering.

For coverings which show a tendency to curl after rolling, a dead load of $(2,0 \pm 0,1)$ kg mass can be applied for $(3,0 \pm 0,5)$ h. The load is spread evenly over the whole surface thus ensuring a contact over the total bonded area of each test specimen. The procedure applied should be recorded in the test report [see 10 i)].

7 Conditioning of the test specimens

After assembly, expose the test specimens to the conditions as given in Table 1.

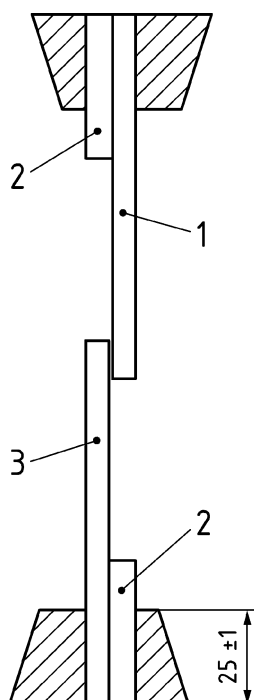
Table 1 — Conditioning

Control test	Test I	Test II ^a
28 days at a standard atmosphere of 23/50 (see ISO 554)	7 days at a standard atmosphere of 23/50 (see ISO 554)	
	20 days at $(50 \pm 2) ^\circ\text{C}$ (see ISO 3205)	41 days at $(50 \pm 2) ^\circ\text{C}$ (see ISO 3205)
	1 day at a standard atmosphere of 23/50 (see ISO 554)	
^a This test to be optional for determining the effect of any type of interaction between an adhesive and a covering.		

8 Test procedure

Clamp the ends of the test specimen in appropriate clamps of the tensile testing machine (5.4) using packings to ensure that the axis of the test specimen is aligned with the direction of the clamp movement (see Figure 4).

Dimensions in millimetres



Key

- 1 uncoated panel
- 2 packing
- 3 covering

Figure 4 — Clamping of shear test specimens

Set the tensile testing machine to operate with a crosshead movement of (20 ± 2) mm/min.

9 Evaluation and expression of results

Shear strength in newtons per square millimetre [N/mm^2] is the maximum shear force in newtons [N] during separation of the bond divided by the area of overlap in square millimetres [mm^2]:

$$\tau = \frac{F_{\max}}{A}$$

Where

τ is shear strength;

F_{\max} is maximum shear force during separation [N];

A is area of overlap [mm^2].

Record the shear strength for each test specimen, the type of failure in accordance with EN ISO 10365 and calculate the mean value of all five test specimens. Any result which differs by more than 15 % from this value shall be discarded and a second mean value calculated from the remaining results. If more than 2 results are outside the range, discard the highest and the lowest value and calculate the mean of the remaining three results.

10 Test report

The test report shall include at least the following:

- a) reference to this European Standard, i.e. EN 1373;
- b) designation of the adhesive together with the batch number;
- c) designation of test covering, substrate and primer optional used for substrate preparation;
- d) notched trowel used;
- e) open time allowed;
- f) conditioning sequences used;
- g) mean shear strength in N/mm^2 for each conditioning sequence and the type of failure according to EN ISO 10365, e.g. failure in adhesion, in cohesion of adhesive or in adherent;
- h) any physical changes or abnormalities observed in the bonded test specimen after accelerated ageing conditions;
- i) any factors that have affected the result;
- j) date of the test.

British Standards Institution (BSI)

BSI is the national body responsible for preparing British Standards and other standards-related publications, information and services.

BSI is incorporated by Royal Charter. British Standards and other standardization products are published by BSI Standards Limited.

About us

We bring together business, industry, government, consumers, innovators and others to shape their combined experience and expertise into standards-based solutions.

The knowledge embodied in our standards has been carefully assembled in a dependable format and refined through our open consultation process. Organizations of all sizes and across all sectors choose standards to help them achieve their goals.

Information on standards

We can provide you with the knowledge that your organization needs to succeed. Find out more about British Standards by visiting our website at bsigroup.com/standards or contacting our Customer Services team or Knowledge Centre.

Buying standards

You can buy and download PDF versions of BSI publications, including British and adopted European and international standards, through our website at bsigroup.com/shop, where hard copies can also be purchased.

If you need international and foreign standards from other Standards Development Organizations, hard copies can be ordered from our Customer Services team.

Subscriptions

Our range of subscription services are designed to make using standards easier for you. For further information on our subscription products go to bsigroup.com/subscriptions.

With **British Standards Online (BSOL)** you'll have instant access to over 55,000 British and adopted European and international standards from your desktop. It's available 24/7 and is refreshed daily so you'll always be up to date.

You can keep in touch with standards developments and receive substantial discounts on the purchase price of standards, both in single copy and subscription format, by becoming a **BSI Subscribing Member**.

PLUS is an updating service exclusive to BSI Subscribing Members. You will automatically receive the latest hard copy of your standards when they're revised or replaced.

To find out more about becoming a BSI Subscribing Member and the benefits of membership, please visit bsigroup.com/shop.

With a **Multi-User Network Licence (MUNL)** you are able to host standards publications on your intranet. Licences can cover as few or as many users as you wish. With updates supplied as soon as they're available, you can be sure your documentation is current. For further information, email bsmusales@bsigroup.com.

BSI Group Headquarters

389 Chiswick High Road London W4 4AL UK

Revisions

Our British Standards and other publications are updated by amendment or revision.

We continually improve the quality of our products and services to benefit your business. If you find an inaccuracy or ambiguity within a British Standard or other BSI publication please inform the Knowledge Centre.

Copyright

All the data, software and documentation set out in all British Standards and other BSI publications are the property of and copyrighted by BSI, or some person or entity that owns copyright in the information used (such as the international standardization bodies) and has formally licensed such information to BSI for commercial publication and use. Except as permitted under the Copyright, Designs and Patents Act 1988 no extract may be reproduced, stored in a retrieval system or transmitted in any form or by any means – electronic, photocopying, recording or otherwise – without prior written permission from BSI. Details and advice can be obtained from the Copyright & Licensing Department.

Useful Contacts:

Customer Services

Tel: +44 845 086 9001

Email (orders): orders@bsigroup.com

Email (enquiries): cservices@bsigroup.com

Subscriptions

Tel: +44 845 086 9001

Email: subscriptions@bsigroup.com

Knowledge Centre

Tel: +44 20 8996 7004

Email: knowledgecentre@bsigroup.com

Copyright & Licensing

Tel: +44 20 8996 7070

Email: copyright@bsigroup.com



...making excellence a habit.™