

**Plastics piping  
systems —  
Thermoplastics piping  
systems for buried  
non-pressure  
applications —  
Test methods for  
leaktightness of  
elastomeric sealing  
ring type joints**

The European Standard EN 1277:2003 has the status of a  
British Standard

ICS 23.040.80

## National foreword

This British Standard is the official English language version of EN 1277:2003. It supersedes BS EN 1277:1996 which is withdrawn.

Clause 6(c) does not imply an additional deflection for those cases where the referring standard specifies a deflection.

The UK participation in its preparation was entrusted by Technical Committee PRI/88, Plastic Piping Systems, to Subcommittee PRI/88/4, Pressure, which has the responsibility to:

- aid enquirers to understand the text;
- present to the responsible European committee any enquiries on the interpretation, or proposals for change, and keep the UK interests informed;
- monitor related international and European developments and promulgate them in the UK.

A list of organizations represented on this subcommittee can be obtained on request to its secretary.

### Cross-references

The British Standards which implement international or European publications referred to in this document may be found in the *BSI Catalogue* under the section entitled "International Standards Correspondence Index", or by using the "Search" facility of the *BSI Electronic Catalogue* or of British Standards Online.

This publication does not purport to include all the necessary provisions of a contract. Users are responsible for its correct application.

**Compliance with a British Standard does not of itself confer immunity from legal obligations.**

### Summary of pages

This document comprises a front cover, an inside front cover, the EN title page, pages 2 to 10, an inside back cover and a back cover.

The BSI copyright notice displayed in this document indicates when the document was last issued.

### Amendments issued since publication

Amd. No.	Date	Comments

This British Standard was published under the authority of the Standards Policy and Strategy Committee on 21 April 2004

© BSI 21 April 2004

ISBN 0 580 43669 1

English version

**Plastics piping systems - Thermoplastics piping systems for  
buried non-pressure applications - Test methods for  
leaktightness of elastomeric sealing ring type joints**

Systèmes de canalisations en plastiques - Systèmes de  
canalisations thermoplastiques pour applications enterrées  
sans pression - Méthodes d'essai d'étanchéité des  
assemblages à bague d'étanchéité en élastomère

Kunststoff-Rohrleitungssysteme - Erdverlegte  
Rohrleitungssysteme aus Thermoplasten für drucklose  
Anwendungen - Prüfverfahren für die Dichtheit von  
elastomeren Dichtringverbindungen

This European Standard was approved by CEN on 3 March 2003.

CEN members are bound to comply with the CEN/CENELEC Internal Regulations which stipulate the conditions for giving this European Standard the status of a national standard without any alteration. Up-to-date lists and bibliographical references concerning such national standards may be obtained on application to the Management Centre or to any CEN member.

This European Standard exists in three official versions (English, French, German). A version in any other language made by translation under the responsibility of a CEN member into its own language and notified to the Management Centre has the same status as the official versions.

CEN members are the national standards bodies of Austria, Belgium, Czech Republic, Denmark, Finland, France, Germany, Greece, Hungary, Iceland, Ireland, Italy, Luxembourg, Malta, Netherlands, Norway, Portugal, Slovakia, Spain, Sweden, Switzerland and United Kingdom.



EUROPEAN COMMITTEE FOR STANDARDIZATION  
COMITÉ EUROPÉEN DE NORMALISATION  
EUROPÄISCHES KOMITEE FÜR NORMUNG

**Management Centre: rue de Stassart, 36 B-1050 Brussels**

## Foreword

This European Standard (EN 1277:2003) has been prepared by Technical Committee CEN /TC 155, "Plastics piping systems and ducting systems", the secretariat of which is held by NEN.

This European Standard shall be given the status of a national standard, either by publication of an identical text or by endorsement, at the latest by June 2004,, and conflicting national standards shall be withdrawn at the latest by June 2004.

Annex A is normative.

This document supersedes EN 1277:1996.

The modifications are:

- The deflection of the socket is now permitted to be greater than specified if by deflecting the spigot to the specified amount the socket, without applying load to it, is deflected to more than specified. The reason is that experience with testing large diameter pipes in accordance with the 1996 version has shown that for some pipe designs a deflection of 10 % of the spigot resulted in a deflection larger than 5% of the socket without applying any load to it. This is the major reason for the revision.
- A support for the profiles under the deflection device, see Figure 2, are specified in cases where there is a risk that the profiles are deflected too much when deflecting the spigot or socket.
- Figure 4 has been added to clarify the description of the deflection devices.
- The procedure for determining and applying the deflection has been described in more details, see 6.2.
- A number of editorial changes including a more logic order of the description of the test equipment and test procedure have been introduced.

The material-dependent parameters and/or performance requirements are incorporated in the System Standard(s) concerned.

This standard is one of a series of standards on test methods, which support System Standards for plastics piping systems and ducting systems.

According to the CEN/CENELEC Internal Regulations, the national standards organizations of the following countries are bound to implement this European Standard: Austria, Belgium, Czech Republic, Denmark, Finland, France, Germany, Greece, Hungary, Iceland, Ireland, Italy, Luxembourg, Malta, Netherlands, Norway, Portugal, Slovakia, Spain, Sweden, Switzerland and the United Kingdom.

## 1 Scope

This European standard specifies three basic test pressures for determining the leaktightness of elastomeric sealing ring type joints for buried thermoplastics non-pressure piping systems.

Unless otherwise specified in the referring standard, the methods pressures used are the following:

- $p_1$ : internal negative air pressure (partial vacuum);
- $p_2$ : a low internal hydrostatic pressure;
- $p_3$ : a higher internal hydrostatic pressure.

It also describes four test conditions under which the test can be executed, as follows:

- A: without any additional diametric or angular deflection;
- B: with diametric deflection;
- C: with angular deflection;
- D: with simultaneous angular and diametric deflection.

These conditions can be applied individually or in combination. The applicable selection of the method(s) and the condition(s) should be specified in the referring standard.

## 2 Principle

A test piece assembled from pipes and/or fittings is subjected to a specific initial internal negative air pressure,  $p_1$  followed by a low specific initial internal hydrostatic pressure,  $p_2$  and a higher internal hydrostatic pressure,  $p_3$ .

During testing the joint may be subjected to diametric and/or angular deflection(s). The referring product standard shall specify which of the test pressures and deflection conditions have to be carried out.

Each pressure is maintained for a specific period during which the joint is monitored for leakage (see clause 6).

NOTE 1 It is assumed that the following test parameters are set by the standard making reference to this standard:

- a) the test pressure(s),  $p_1$  [see item d) of 6.1],  $p_2$  [see item f) of 6.1] and  $p_3$  [see item g) of 6.1], as applicable, and the percentage of loss of partial vacuum [see item d) of 6.1];
- b) the required diametric and/or angular deflections and their combination with each other and/or the test pressure(s)

NOTE 2 As a consequence of the revision of EN 1277:1996 a modification of test parameters given in referring European Standards on thermoplastics underground drainage and sewerage pipes published before this European Standard may be required (see annex A).

## 3 Apparatus

### 3.1 General

The apparatus shall consist of a jig or any other arrangement capable of:

- a) applying the specified diametric and/or angular deflection;
- b) applying the specified test pressure(s), positive or negative;
- c) maintaining the test assembly in the required position throughout the test;
- d) resisting the forces resulting from the mass of the water in the test assembly and from the applied hydrostatic test pressure(s) during the test period.

The apparatus shall not otherwise support the joint against the internal test pressure.

A typical arrangement, allowing angular and diametric deflection, is shown in Figure 1.

### 3.2 Apparatus

The apparatus shall include the following items which all shall be capable of resisting the forces and pressures generated during the test.

**3.2.1 End sealing devices**, having a size and using a sealing method appropriate to seal the non-jointed ends of the test assembly. The devices shall be restrained in a manner that does not exert longitudinal forces on the joint at positive pressures;

**3.2.2 Hydrostatic pressure source**, connected to one of the sealing devices, or to the test piece, and capable of applying and maintaining the specified pressure [see items f) and g) of 6.1];

**3.2.3 Negative air pressure source**, connected to one of the sealing devices, or to the test piece, and capable of applying and maintaining the specified internal negative air pressure for the specified time. See item d) of 6.1;

**3.2.4 Arrangement**, capable of venting air from the assembly;

**3.2.5 Pressure measuring devices**, capable of checking conformity to the specified test pressure (see item d), f) and g) of 6.1).

When testing with diametric deflection is required the following items shall also be included:

**3.2.6 Mechanical or hydraulic device**, capable of applying the necessary diametric deflection to the spigot [see item b) of 6.1] and acting on a beam which is free to move in the vertical plane square to the axis of the pipe. For pipes with a diameter equal to or greater than 400 mm, each beam can be elliptically shaped to suit the expected shape of the pipe when deflected as required, see Figure 4. The length of the beam or the curved part of the beam shall be greater than the contact area with the deflected spigot.

The width,  $b_1$ , see Figure 1, shall depend upon the external diameter,  $d_e$ , of the pipe as follows:

- $b_1 = 100$  mm for  $d_e \leq 710$  mm;
- $b_1 = 150$  mm for  $710 \text{ mm} < d_e \leq 1000$  mm;
- $b_1 = 200$  mm for  $d_e > 1000$  mm.

**3.2.7 Mechanical or hydraulic device**, capable of applying the necessary diametric deflection to the socket [see item b) of 6.1] and acting on a beam which is free to move in the vertical plane square to the axis of the socket.

The length of the beam or the curved part of the beam shall be greater than the contact area with the deflected socket.

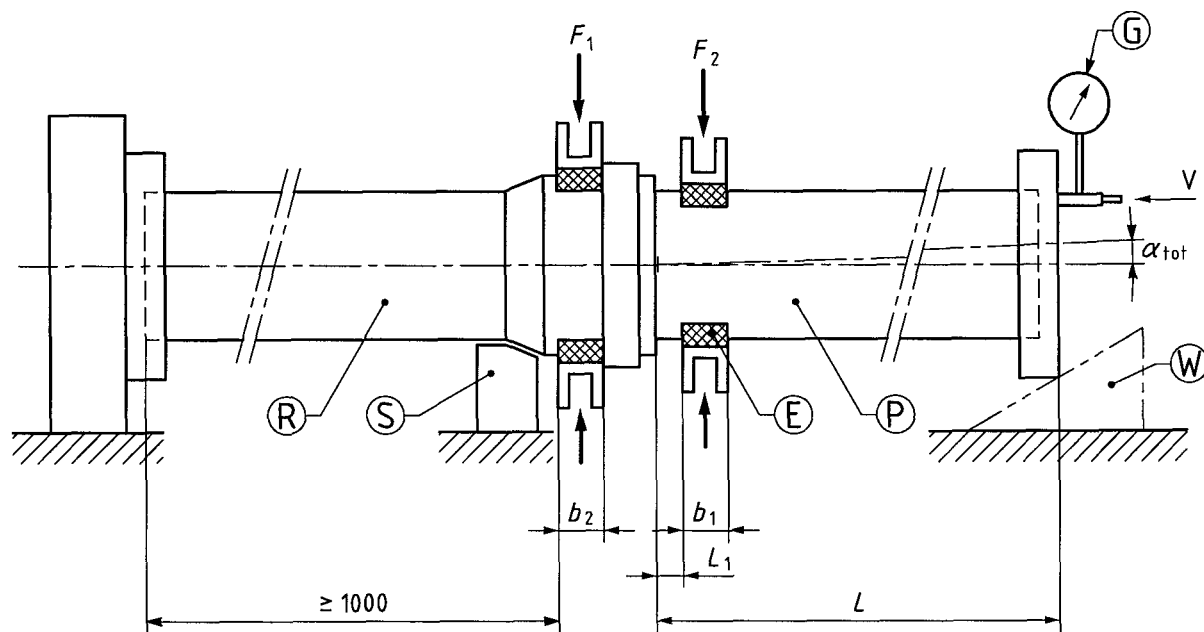
For pipes with a diameter equal to or greater than 400 mm, each beam may be elliptically shaped to suit the expected shape of the socket when deflected as required, see Figure 4;

The width,  $b_2$ , shall depend upon the external diameter,  $d_e$ , of the pipe as follows:

- $b_2 = 30$  mm for  $d_e \leq 110$  mm;
- $b_2 = 40$  mm for  $110 \text{ mm} < d_e \leq 315$  mm;
- $b_2 = 60$  mm for  $d_e > 315$  mm.

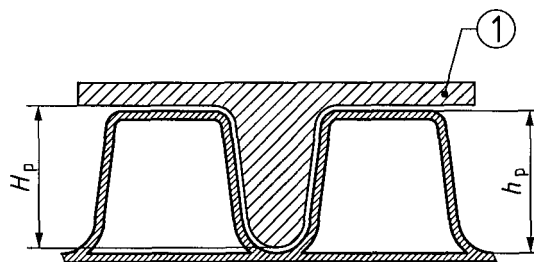
When there is a risk that the stiffening elements (profiles) of a structured wall pipe or socket will deflect more than 0,1 times the profile height, the clamps shall be modified so they will come into contact with the pipe wall between the profiles when the profile is deflected to between 0,9 times and 0,95 times the profile height, (see Figure 2).

Such modifications shall be made from wood or less flexible materials.

**Key**

- G Vacuum or pressure gauge
- E Elliptical beam when applicable
- W Adjustable support
- P Pipe or fitting with spigot end
- R Pipe or fitting with socket
- S Socket support
- V Connection to pressure source
- $\alpha_{tot}$  Angular deflection applied
- $b_1, b_2$  Width of clamp (see 3.2.6 and 3.2.7)
- $L$  Length of spigot-ended pipe or fitting, where  $L \geq d_e$  or  $L \geq 1000$ , whichever is the greater, in millimetres
- $L_1$  Distance between socket mouth and clamp

**Figure 1 — Typical arrangement for applying diametric distortion and angular deflection**

**Key**

- 1 Modified loading plate
- $h_p$  Construction height
- $H_p$  Profile height of the loading plate;  $0,9h_p \leq H_p \leq 0,95h_p$

**Figure 2 — Example of modified loading plate**

## 4 Test pieces

The test piece shall comprise an assembly of (a) pipe section(s) and/or fitting(s) including at least one elastomeric sealing ring joint.

The joint to be tested shall be assembled in accordance with the manufacturer's instructions where available.

The length of the test pieces in pipe form shall be as specified in Figure 1.

The same test assembly shall be used for the entire specified test regime.

NOTE To reduce the volume of water needed a sealed pipe or mandrel can be located within the test piece provided it is 100 % tight to the test pressures applied, and it is not of a shape that may provide support against possible deformation during the test.

When a fitting or any other ancillary component is to be tested, the appropriate end of the test piece shown in Figure 1 is to be replaced by that component.

The component is fixed to the test rig and plugged in its open end(s) as appropriate for its design.

## 5 Test temperature

When testing with internal hydrostatic pressure using water the test temperature shall be  $(19 \pm 9) ^\circ\text{C}$ .

When testing with internal partial vacuum the test temperature shall be in the range of  $(23 \pm 5) ^\circ\text{C}$  and the temperature variation shall not exceed  $2 ^\circ\text{C}$  during the testing.

## 6 Procedure

### 6.1 General

Carry out the following procedures at the specified temperatures.

- a) Mount the test piece with sealed ends in the apparatus;
- b) When applicable, apply the specified movement of the loading beams for diametric deflection of the spigot and/or socket end(s) as described in 6.2
- c) When applicable, apply the specified angular deflection to the joint. Unless otherwise specified in the referring standard the applied angular deflection,  $\alpha$ , shall be as follows:

$$\alpha = 2^\circ \quad \text{for } d_h \leq 315 \text{ mm};$$

$$\alpha = 1,5^\circ \quad \text{for } 315 \text{ mm} < d_h \leq 630 \text{ mm};$$

$$\alpha = 1^\circ \quad \text{for } d_h > 630 \text{ mm}.$$

Tolerance on all deflections:  $\alpha. \begin{smallmatrix} +0,2 \\ 0 \end{smallmatrix}$ .

If a socket is designed to take up an angular deflection,  $\beta$ , the total angular deflection shall be the sum of the design angle  $\beta$ , as declared by the manufacturer, and  $\alpha$ .

Maintain these settings throughout the testing.

- d) When applicable, apply the specified negative air pressure (partial vacuum)  $p_1$  gradually over a period of not less than 5 min. Unless otherwise specified in the referring standard,  $p_1$  shall be  $-0,3 \text{ bar} \pm 5 \% \text{ }^1$ .

Maintain the negative air pressure for a period of not less than 5 min in order to let the test assembly stabilise.

Close the connection between the test piece and the negative air pressure source. Measure and record the internal negative pressure.

After 15 min measure and record the internal negative pressure again.

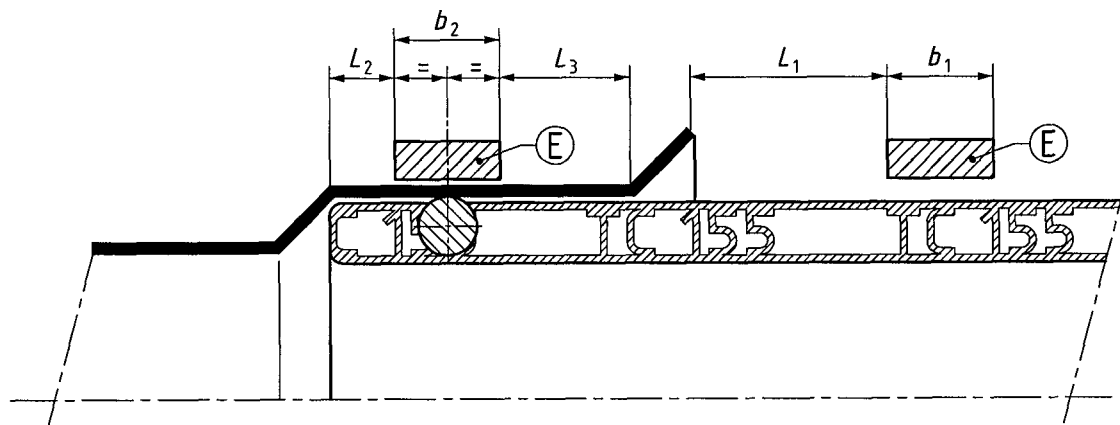
---

1) 1 bar = 100 kPa.



Calculate the loss of partial vacuum and record whether or not it exceeds the specified percentage of  $p_1$ . Unless otherwise specified in the referring standard the percentage shall be 10 %.

- e) When applicable, fill the test assembly with water while bleeding off the air. To ensure temperature equalisation, leave it for not less than 5 min for pipes of nominal diameter,  $d_n$ , less than 400 mm and not less than 15 min for larger sizes.
- f) When applicable raise the hydrostatic pressure gradually over a period of not less than 5 min to the specified test pressure,  $p_2$ , and maintain that pressure for at least 15 min, monitor the test piece for, and record any leakage. Unless otherwise specified in the referring standard,  $p_2$  shall be  $0,05 \text{ bar} \pm 10 \%$ .
- g) When applicable, raise the hydrostatic pressure gradually over a period of not less than 5 min to the specified test pressure,  $p_3$ , and maintain that pressure for at least 15 min, monitor the test piece for, and record any leakage. Unless otherwise specified in the referring standard,  $p_3$  shall be between  $0,5 \text{ bar}$  and  $(0,5 \text{ bar} + 10 \%)$ .
- h) If applicable start from b) with an other set of required test parameters after an appropriate rest period which in case of dispute shall be at least 24 h.



Key  
E Beam

Figure 3 — Positioning of beam for a sealing ring in an example of a spigot

## 6.2 Procedure for applying diametric deflection to spigot and socket

Using the mechanical or hydraulic device (see 3.2.6 and 3.2.7), apply the necessary compressive forces,  $F_1$  and  $F_2$  (see Figure 1) to the spigot end of the pipe and the socket of the pipe or fitting in such a way that the distance between the beams,  $l_{sp}$  and  $l_{so}$ , are as calculated below.

- a) Calculate the distance between the beams when the socket and/or spigot is deflected using the following equations,

$$l_{sp} = d_{em} \times (1 - X/100)$$

$$l_{so} = d_{em,so} - (d_{em} \times Y/100)$$

where

- $l_{sp}$  is the distance between the plates for deflecting the spigot;
- $l_{so}$  is the distance between the plates for deflecting the socket;
- $d_{em}$  is the mean outside diameter of the spigot end;
- $d_{em,so}$  is the mean outside diameter of the socket;
- $X$  is the absolute value of the specified nominal spigot deflection;
- $Y$  is the absolute value of the specified nominal socket deflection.

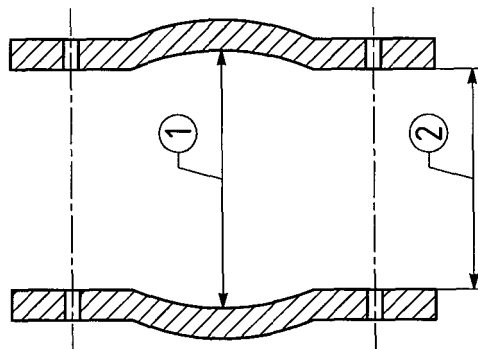
Unless otherwise specified in the referring standard  $X$  shall be 10 % and  $Y$  shall be 5 %. (See also Figure 4).

Example:  $d_{em} = 1000$  mm;  $d_{em,so} = 1100$  mm;  $X = 10$  %;  $Y = 5$  % results in

$$l_{sp} = 1000 \times (1 - 10/100) = 900 \text{ mm};$$

$$l_{so} = 1100 - (1100 \times 5/100) = 1045 \text{ mm}.$$

- b) Position the spigot deflection clamps so the distance to the mouth of the socket,  $L_1$ , when the force is applied, is between  $0,14d_e$  and  $0,15d_e$  or  $(100 \pm 5)$  mm, whichever is the greater. In case of structured wall pipes where the profiles are positioned further away from the socket mouth, the clamps shall be modified in order to apply the force to the spigot at the specified distance.
- c) For joints with the sealing ring positioned in the socket, the socket diameter deflection beams shall be positioned next to the sealing ring groove as shown in Figure 1. For joints with the sealing ring(s) positioned on the spigot end of the pipe, the socket diameter deflection beams shall be positioned so that the axis of the beam is aligned with the centre line of the sealing ring profile(s). If the sealing ring(s) are positioned so the distance from the edge of the beams to the end of the socket,  $L_2$  as shown in Figure 3 will be less than 25 mm, the edge of the beams shall be located so that  $L_3$  is at least 25 mm and, if possible  $L_2$  is also at least 25 mm.
- d) Apply the forces needed to move the spigot and socket diametric deflection devices to the calculated levels. If by deflection of the spigot, the socket is deflected to more than calculated this shall not be deemed as a failure and the test shall be carried out under these conditions.
- e) Continue with item c) of 6.1.



#### Key

- 1  $l_{sp}$  or  $l_{so}$ , as calculated in accordance with item a) of 6.2
- 2 Reference distance, e.g. for checking conformity to  $l_{sp}$  or  $l_{so}$

Figure 4 — Example of diametric deflection device

## 7 Test report

The test report shall at least include the following information:

- a) a reference to this standard and to the referring standard;
- b) the identity of the components [e.g. fitting(s), pipe(s), seal(s)] comprising the joint(s) under test];
- c) the ambient temperature, in degrees Celsius;
- d) for each of the test pressures used:
  - 1) the test pressure(s), in bars;
  - 2) the period of time under pressure, in minutes;
  - 3) the initial vacuum, the vacuum after 15 min and the calculated loss of vacuum in percentage for the negative air pressure test;

- 4) report of any leakage for the hydrostatic pressure test condition(s), or otherwise a statement that the joint(s) did not leak;
- e) if applicable:
  - 1) the diametric distortion(s) of the pipe and the socket;
  - 2) the distance,  $L_1$ , between the mouth of the socket and the nearest face of the spigot deflection beams, in millimetres;
  - 3) the position of the socket deflection beams;
  - 4) the angular deflection applied;
- f) any factors which may have affected the results, such as any incidents or any operating details not specified in this standard;
- g) the date of test.

.....

## Annex A (normative)

### Modification of test parameters

As a consequence of the revision of this standard a modification of test parameters given in European Standards on thermoplastics underground drainage and sewerage pipes published before this European Standard may be required.

European Standards published before/shortly after this standard was published will/may have references regarding test parameters similar to those shown in Table A.1. In such cases the test parameters shown in Table A.2 apply.

**Table A.1 — Example of test parameters referring to the previous version of this standard**

Characteristic	Requirements	Test parameters		Test method
		Characteristic	Value	
Tightness of elastomeric ring seal joint		Temperature	$(23 \pm 5) ^\circ\text{C}$	Method 4 of EN 1277, Condition B
		Spigot deflection	$\geq 10 \%$	
		Socket deflection	$\geq 5 \%$	
		Difference	$\geq 5 \%$	
	No leakage	Water pressure	0,05 bar	
	No leakage	Water pressure	0,5 bar	
	$\leq -0,27$ bar	Air pressure	-0,3 bar	
Tightness of elastomeric ring seal joint		Temperature	$(23 \pm 5) ^\circ\text{C}$	Method 4 of EN 1277, Condition C
		Joint deflection for: $d_e \leq 315$	$2^\circ$	
		$315 > d_e \leq 630$	$1,5^\circ$	
		$630 < d_e$	$1^\circ$	
	No leakage	Water pressure	0,05 bar	
	No leakage	Water pressure	0,5 bar	
	$\leq -0,27$ bar	Air pressure	-0,3 bar	

**Table A.2 — Test parameters valid for standards referring to the previous version of this standard as indicated in Table A.1**

Characteristic	Requirements	Test parameters		Test method
		Characteristic	Value	
Tightness of elastomeric ring seal joint		Temperature	$(23 \pm 5) ^\circ\text{C}$	EN 1277, condition B
		Spigot deflection	10 %	
		Socket deflection	5 %	
	No leakage	Water pressure, $p_1$	0,05 bar	
	No leakage	Water pressure, $p_2$	0,5 bar	
	$\leq -0,27$ bar	Air pressure, $p_3$	-0,3 bar	
Tightness of elastomeric ring seal joint		Temperature	$(23 \pm 5) ^\circ\text{C}$	EN 1277, condition C
		Joint deflection for: $d_e \leq 315$	$2^\circ$	
		$315 > d_e \leq 630$	$1,5^\circ$	
		$630 < d_e$	$1^\circ$	
	No leakage	Water pressure, $p_1$	0,05 bar	
	No leakage	Water pressure, $p_2$	0,5 bar	
	$\leq -0,27$ bar	Air pressure, $p_3$	-0,3 bar	

www.bsi.org.uk

---

---

# BSI — British Standards Institution

BSI is the independent national body responsible for preparing British Standards. It presents the UK view on standards in Europe and at the international level. It is incorporated by Royal Charter.

## Revisions

British Standards are updated by amendment or revision. Users of British Standards should make sure that they possess the latest amendments or editions.

It is the constant aim of BSI to improve the quality of our products and services. We would be grateful if anyone finding an inaccuracy or ambiguity while using this British Standard would inform the Secretary of the technical committee responsible, the identity of which can be found on the inside front cover. Tel: +44 (0)20 8996 9000. Fax: +44 (0)20 8996 7400.

BSI offers members an individual updating service called PLUS which ensures that subscribers automatically receive the latest editions of standards.

## Buying standards

Orders for all BSI, international and foreign standards publications should be addressed to Customer Services. Tel: +44 (0)20 8996 9001. Fax: +44 (0)20 8996 7001. Email: [orders@bsi-global.com](mailto:orders@bsi-global.com). Standards are also available from the BSI website at <http://www.bsi-global.com>.

In response to orders for international standards, it is BSI policy to supply the BSI implementation of those that have been published as British Standards, unless otherwise requested.

## Information on standards

BSI provides a wide range of information on national, European and international standards through its Library and its Technical Help to Exporters Service. Various BSI electronic information services are also available which give details on all its products and services. Contact the Information Centre. Tel: +44 (0)20 8996 7111. Fax: +44 (0)20 8996 7048. Email: [info@bsi-global.com](mailto:info@bsi-global.com).

Subscribing members of BSI are kept up to date with standards developments and receive substantial discounts on the purchase price of standards. For details of these and other benefits contact Membership Administration. Tel: +44 (0)20 8996 7002. Fax: +44 (0)20 8996 7001. Email: [membership@bsi-global.com](mailto:membership@bsi-global.com).

Information regarding online access to British Standards via British Standards Online can be found at <http://www.bsi-global.com/bsonline>.

Further information about BSI is available on the BSI website at <http://www.bsi-global.com>.

## Copyright

Copyright subsists in all BSI publications. BSI also holds the copyright, in the UK, of the publications of the international standardization bodies. Except as permitted under the Copyright, Designs and Patents Act 1988 no extract may be reproduced, stored in a retrieval system or transmitted in any form or by any means – electronic, photocopying, recording or otherwise – without prior written permission from BSI.

This does not preclude the free use, in the course of implementing the standard, of necessary details such as symbols, and size, type or grade designations. If these details are to be used for any other purpose than implementation then the prior written permission of BSI must be obtained.

Details and advice can be obtained from the Copyright & Licensing Manager. Tel: +44 (0)20 8996 7070. Fax: +44 (0)20 8996 7553. Email: [copyright@bsi-global.com](mailto:copyright@bsi-global.com).

BSI  
389 Chiswick High Road  
London  
W4 4AL