

BS EN 748:2013



BSI Standards Publication

Playing field equipment — Football goals — Functional and safety requirements, test methods

bsi.

...making excellence a habit.™

National foreword

This British Standard is the UK implementation of EN 748:2013. It supersedes BS EN 748:2004 which is withdrawn.

The UK participation in its preparation was entrusted to Technical Committee SW/136/22, Sports, Playground and other Recreational Equipment - Gymnasium and Playing Field Equipment.

A list of organizations represented on this committee can be obtained on request to its secretary.

This publication does not purport to include all the necessary provisions of a contract. Users are responsible for its correct application.

© The British Standards Institution 2013.

Published by BSI Standards Limited 2013

ISBN 978 0 580 80000 9

ICS 97.220.30; 97.220.40

Compliance with a British Standard cannot confer immunity from legal obligations.

This British Standard was published under the authority of the Standards Policy and Strategy Committee on 31 May 2013.

Amendments issued since publication

Date	Text affected
------	---------------

EUROPEAN STANDARD

EN 748

NORME EUROPÉENNE

EUROPÄISCHE NORM

May 2013

ICS 97.220.30; 97.220.40

Supersedes EN 748:2004

English Version

Playing field equipment - Football goals - Functional and safety requirements, test methods

Equipements de jeux - Buts de football - Exigences fonctionnelles et de sécurité, méthodes d'essai

Spielfeldgeräte - Fußballtore - Funktionelle und sicherheitstechnische Anforderungen, Prüfverfahren

This European Standard was approved by CEN on 14 March 2013.

CEN members are bound to comply with the CEN/CENELEC Internal Regulations which stipulate the conditions for giving this European Standard the status of a national standard without any alteration. Up-to-date lists and bibliographical references concerning such national standards may be obtained on application to the CEN-CENELEC Management Centre or to any CEN member.

This European Standard exists in three official versions (English, French, German). A version in any other language made by translation under the responsibility of a CEN member into its own language and notified to the CEN-CENELEC Management Centre has the same status as the official versions.

CEN members are the national standards bodies of Austria, Belgium, Bulgaria, Croatia, Cyprus, Czech Republic, Denmark, Estonia, Finland, Former Yugoslav Republic of Macedonia, France, Germany, Greece, Hungary, Iceland, Ireland, Italy, Latvia, Lithuania, Luxembourg, Malta, Netherlands, Norway, Poland, Portugal, Romania, Slovakia, Slovenia, Spain, Sweden, Switzerland, Turkey and United Kingdom.



EUROPEAN COMMITTEE FOR STANDARDIZATION
COMITÉ EUROPÉEN DE NORMALISATION
EUROPÄISCHES KOMITEE FÜR NORMUNG

Management Centre: Avenue Marnix 17, B-1000 Brussels

Contents

Page

Foreword.....	3
1 Scope	4
2 Normative references	4
3 Requirements for sizes 7,32 m × 2,44 m and 5,00 m × 2,00 m.....	4
3.1 Classification.....	4
3.2 Dimensions.....	4
3.3 Material	8
3.4 Design	9
3.4.1 Goal frame	9
3.4.2 Nets	9
3.4.3 Ground sockets.....	10
4 Safety requirements	10
4.1 General requirements.....	10
4.2 Goal frame	10
4.3 Strength	10
4.4 Stability	11
4.5 Net fixings.....	11
4.6 Frame entrapment.....	11
5 Test methods.....	11
5.1 General.....	11
5.2 Determination of strength.....	11
5.3 Determination of stability.....	11
5.3.1 Testing of Types 1 to 3.....	11
5.3.2 Stability test Type 4	12
5.4 Strength test for net fixings.....	13
6 Assembly, installation and maintenance instruction.....	13
7 Warning label	13
8 Marking	14
Annex A (informative) Example of foundations	15
Annex B (informative) A-Deviation	16
Bibliography.....	17

Foreword

This document (EN 748:2013) has been prepared by Technical Committee CEN/TC 136 “Sports, playground and other recreational facilities and equipment”, the secretariat of which is held by DIN.

This European Standard shall be given the status of a national standard, either by publication of an identical text or by endorsement, at the latest by November 2013, and conflicting national standards shall be withdrawn at the latest by November 2013.

Attention is drawn to the possibility that some of the elements of this document may be the subject of patent rights. CEN [and/or CENELEC] shall not be held responsible for identifying any or all such patent rights.

This document supersedes EN 748:2004.

In relation to EN 748:2004, the following main amendments have been made:

- Normative references have been updated.
- Figure 3 and Figure 4 have been updated.

According to the CEN-CENELEC Internal Regulations, the national standards organisations of the following countries are bound to implement this European Standard: Austria, Belgium, Bulgaria, Croatia, Cyprus, Czech Republic, Denmark, Estonia, Finland, Former Yugoslav Republic of Macedonia, France, Germany, Greece, Hungary, Iceland, Ireland, Italy, Latvia, Lithuania, Luxembourg, Malta, Netherlands, Norway, Poland, Portugal, Romania, Slovakia, Slovenia, Spain, Sweden, Switzerland, Turkey and the United Kingdom.

1 Scope

This document specifies the functional requirements for 4 types and 2 sizes (see Clause 3) and the safety requirements (see Clause 4) for football goals.

It is applicable to football goals for training and competition in outdoor sports facilities and indoor arenas.

2 Normative references

The following documents, in whole or in part, are normatively referenced in this document and are indispensable for its application. For dated references, only the edition cited applies. For undated references, the latest edition of the referenced document (including any amendments) applies.

EN ISO 1806, *Fishing nets — Determination of mesh breaking force of netting (ISO 1806)*

EN ISO 2307, *Fibre ropes — Determination of certain physical and mechanical properties (ISO 2307)*

3 Requirements for sizes 7,32 m × 2,44 m and 5,00 m × 2,00 m

3.1 Classification

Football goals shall be classified by the design (types and sizes) as shown in Table 1.

Table 1 — Types

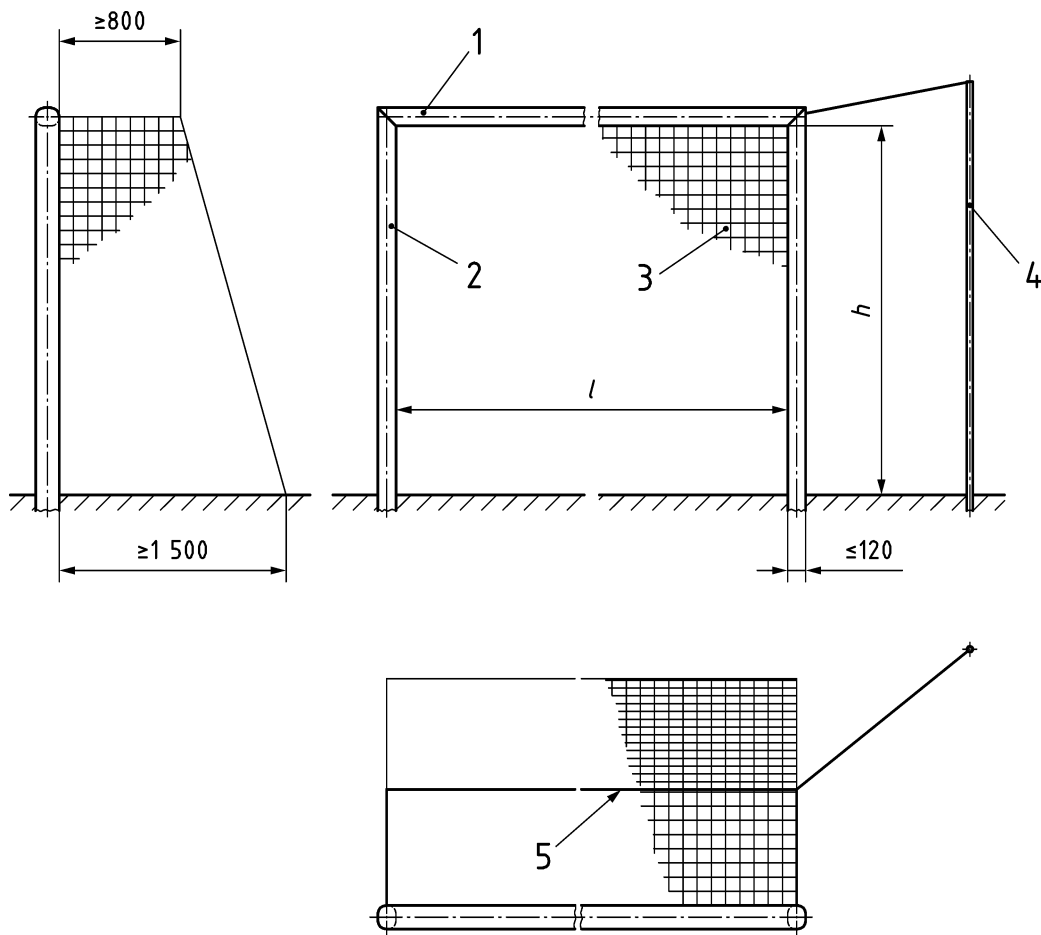
Dimensions in metres

Type	Size <i>l × h</i>	Description
1	7,32 × 2,44 5,00 × 2,00	Football goal with sockets, net supporting pole with sockets
2	7,32 × 2,44 5,00 × 2,00	Football goal with net supports and ground sockets
3	7,32 × 2,44 5,00 × 2,00	Freestanding football goal with ground fixings
4	7,32 × 2,44 5,00 × 2,00	Freestanding football goal with counterweight

3.2 Dimensions

Football goals shall comply with the dimensions shown in Table 2 and Figures 1 to 4.

Dimensions in millimetres



Key

- 1 crossbar
- 2 upright
- 3 net
- 4 net supporting pole for net head line (example)
- 5 net head line

NOTE Referring to key 4 "pole for net head line" requirements to the poles and its position depend on national regulation of free space for safety and to football federation.

Figure 1 — Football goal — Type 1

Table 2 — Dimensions

Dimensions in millimetres

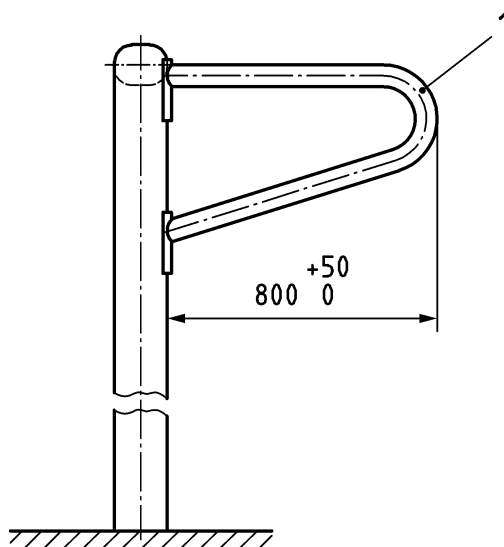
Size code	<i>l</i>	<i>h</i>
732 × 244	7 320 ± 8	2 440 ± 8
500 × 200	5 000 ± 8	2 000 ± 8

For an example for foundation see Annex A.

One football goal Type 1 consists of:

- the goal frame (2 uprights and 1 crossbar) including net fixings;
- the ground sockets;
- the net with net head line including means of contact with the ground;
- the poles with ground sockets.

Dimensions in millimetres



Key

1 net supports

NOTE See 4.6.

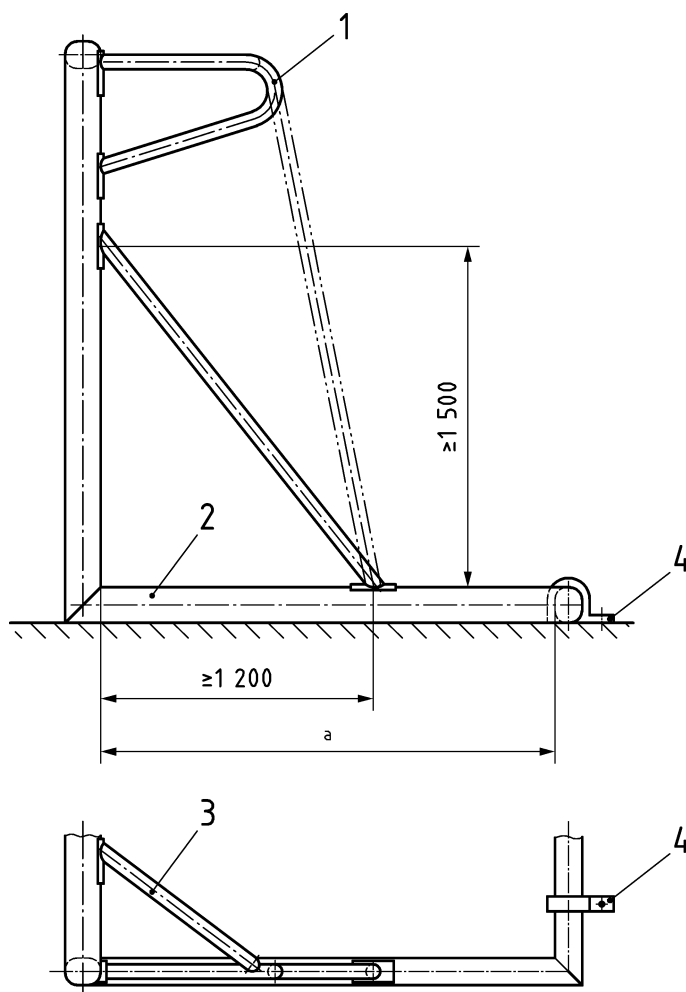
Figure 2 — Football goal — Type 2

Other dimensions and specifications as Type 1.

One football goal Type 2 consists of:

- the goal frame (2 uprights and 1 crossbar) including net fixings and net supports;
- the ground sockets;
- the net with net head line including means of contact with the ground.

Dimensions in millimetres



Key

- 1 net supports
- 2 ground frame
- 3 cross bracket
- 4 ground fixings
- a > 1 200 mm or other design solution

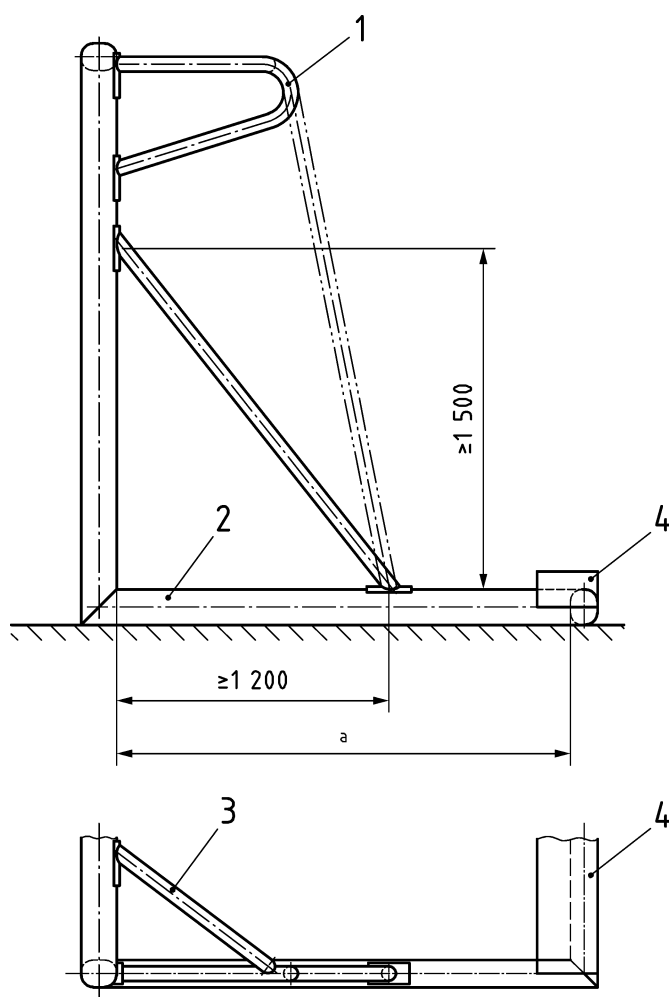
Figure 3 — Football goal — Type 3

Other dimensions and specifications as Type 1.

One football goal Type 3 consists of:

- the goal frame (2 uprights, 1 crossbar and the ground frame) including net fixings, net supports including cross bracket and ground fixings (at least one at each side);
- the net with net head line including means of contact with the ground.

Dimensions in millimetres



Key

- 1 net supports
- 2 ground frame
- 3 cross bracket
- 4 counterweight
- a > 1 200 mm or other design solution

Figure 4 — Football goal Type 4

Other dimensions and specifications as type 1.

One football goal Type 4 consists of:

- the goal frame (2 uprights, 1 crossbar and the ground frame including a fixed counterweight) including net fixings, net supports including cross bracket;
- the net with net head line including means of contact with the ground.

3.3 Material

The goal frame may be made of steel, light metal or plastics, provided the requirements of this document are fulfilled.

The ground frame, the ground sockets, the brackets and the poles for the net head line shall be made of light metal and/or steel protected against corrosion (e.g. hot galvanised, powder coated or painted).

The fixings of the net to the goal shall be made of non-corrosive metal or of plastic material.

For the net, net yarns made of synthetic or natural fibres may be used.

For the net head line synthetic ropes shall be used.

3.4 Design

3.4.1 Goal frame

The construction shall be sufficiently secure to withstand the stresses during a game and when moved.

The uprights and the crossbar may be made of one or more pieces.

The uprights and the crossbar of one football goal shall have the same cross section.

The crossbar shall not be deformed by more than 10 mm when tested according to 5.2.

Each fixing point of the net shall withstand the test in 5.4 without breakage.

The goal frame should be either white or natural silver colour of light metal.

NOTE White colour is in line with football federation's requirement.

The ground frame of Type 4 shall incorporate a fixed counterweight, which is part of the ground frame.

3.4.2 Nets

3.4.2.1 Dimensions

The net dimensions shall comply with Table 3.

Table 3 — Net dimensions

Dimensions in millimetres

Size code	Length min.	Height min.	Depth		Width of mesh max.	Diameter of yarn min. ^a
			top min.	ground min.		
750 × 250	7 500	2 500	800	1 500	120	2
515 × 205	5 150	2 050	800	1 500	120	2

^a The diameter is minimum to minimise the risk of cutting.

3.4.2.2 Physical properties

Nets shall comply with Tables 4 and 5 as appropriate.

Table 4 — Mesh breaking strength

Class	N min.	Test method
A	1 800 (1 500) ^a	EN ISO 1806
B	1 080 (900) ^a	
C	792 (660) ^a	
^a This corresponds to the breaking strength of the net yarn, tested in accordance with EN ISO 2062.		

Table 5 — Rope breaking forces of net head line

Class	N min.	Test method
Z	7 000	EN ISO 2307
Y	3 000	

3.4.2.3 Net fixing

The net head line shall be connected to the net in such a way that there is no shifting.

The net shall be suspended loosely so that a ball scoring a goal cannot rebound immediately.

The net shall be loosely attached to the frame. In the case of Type 1 and 2 the net shall be held to the ground (e.g. with a weighted line or fixing points), to prevent the ball from passing through.

3.4.3 Ground sockets

The ground sockets shall be adapted to the diameter of the poles.

The ground sockets should be placed in concrete blocks (see example in Annex A), ensuring a drainage hole is inserted.

4 Safety requirements

4.1 General requirements

Exposed corners and edges shall be rounded with a radius of at least 3 mm.

4.2 Goal frame

Between the uprights and the ground frame (if any) there shall be no free area.

The cross section of the side parts of a ground frame shall not protrude past the uprights.

4.3 Strength

When tested in accordance with 5.2, the crossbar shall not fracture or collapse or show permanent deformation greater than 10 mm.

4.4 Stability

When tested in accordance with 5.3.1, goals Type 1 to 3 shall not fall over or slide.

When tested in accordance with 5.3.2, goals Type 4 shall not fall.

4.5 Net fixings

When tested according to 5.4, no point of fixation of the net shall break or deform.

Net fixings shall be designed in such a way that the player cannot be hurt.

This requirement is fulfilled if, e.g. external openings (i.e. on the circumference of the cross section of the uprights and the cross bar) are ≤ 8 mm or ≥ 25 mm.

Metal cup hooks shall not be used. If spring hooks are used as means of fixation or for the end of a rope, they shall have screw caps.

4.6 Frame entrapment

Any possible entrapment in the frame above 1 200 mm above the ground, e.g. net supports, shall have no downwards angle of less than 60° and no openings of less than 230 mm diameter.

5 Test methods

5.1 General

If not otherwise specified in the following, the requirements of Clauses 3 and 4 are tested by measuring, visual inspection or practical test.

Execute the test after conditioning the goal for a minimum of 1 h at a test temperature of $(20 \pm 5)^\circ\text{C}$.

5.2 Determination of strength

Apply a vertical force of 1 800 N at the centre of the crossbar for $1 \text{ min } {}_0^{+10}\text{s}$.

Note any fracture or other damage to the goal.

Remove the force and measure any permanent deformation $30 \text{ min } {}_0^{+30}\text{s}$ after removal of the force.

5.3 Determination of stability

5.3.1 Testing of Types 1 to 3

Install the goal in its normal position of use. Apply a horizontal force (F) of 1 100 N at the top of the centre of the crossbar for $1 \text{ min } {}_0^{+10}\text{s}$ by means of a rope of 3 000 mm length (see Figure 5).

Note any falling over or sliding.

Dimensions in millimetres

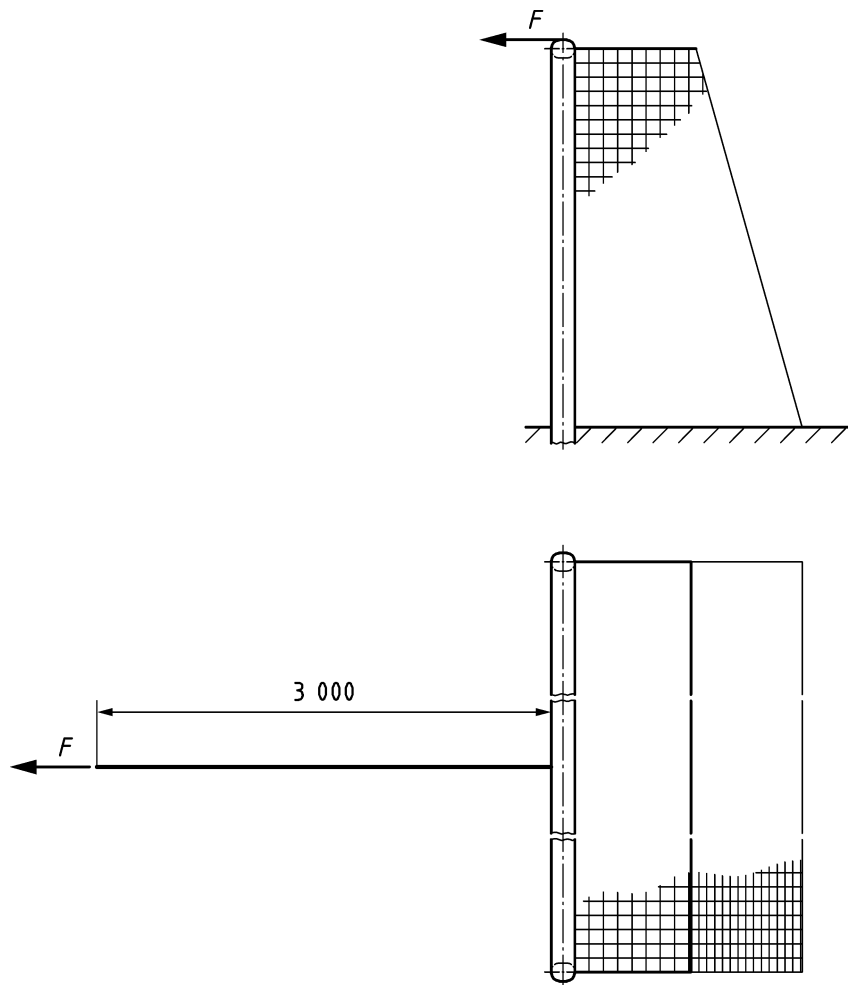


Figure 5 — Stability test — Types 1 to 3

5.3.2 Stability test Type 4

Install the goal in its normal position of use. Stop the goal from sliding with blocks and apply a horizontal force (F) of 1 100 N at the top of the centre of the crossbar for $1 \text{ min } {}_0^{+10} \text{ s}$ by means of a rope of 3 000 mm length (see Figure 6).

Note any falling.

Dimensions in millimetres

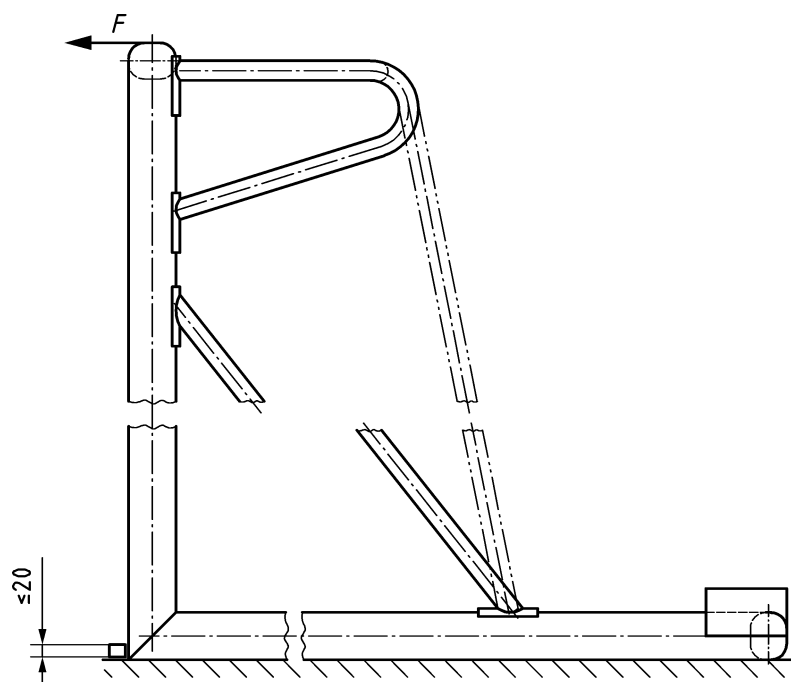


Figure 6 — Stability test — Type 4

5.4 Strength test for net fixings

Apply a horizontal force of 1 100 N to the net mesh at 1 000 mm below the crossbar in the middle of the goal.

Monitor the force for 10 s.

Remove the force and check for any breakage and/or permanent deformation.

6 Assembly, installation and maintenance instruction

The manufacturer shall provide written instructions for assembly, installation and maintenance.

It shall be pointed out in the assembly instructions that any goals that are not being used at the moment should be secured against overturning.

7 Warning label

A permanent warning label shall be fixed to the goal with the following wording:

- This goal is designed to be used for football only and no other purpose.
- Check all fastenings are fully tightened before using this product and check periodically afterwards.
- At all times the goal shall be secured against tilting.
- Do not climb on the net or goal framework.

An appropriate graphical symbol may also be used.

8 Marking

Goals shall be marked with the following information:

- the number of this document EN 748¹⁾;
- the name or trademark of the manufacturer, retailer or importer and the year of manufacturing of the frame;
- a warning label giving details of use that the goal is designed for and type of net in accordance with Clause 7.

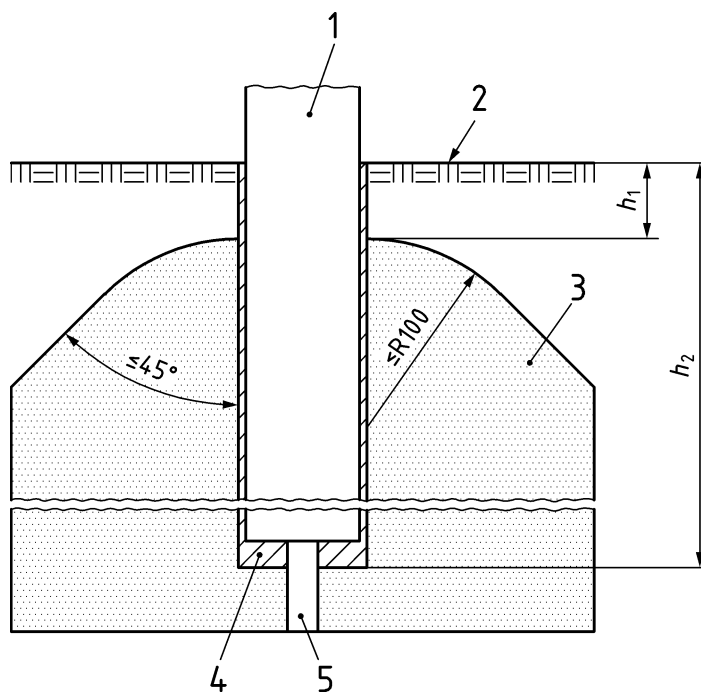
1) Marking EN 748 on or in relation to a product represents the manufacturer's declaration of conformity, i.e. a claim by or on behalf of the manufacturer that the product meets the requirements of the standard. The accuracy of the claim is therefore solely the responsibility of the person making the claim. Such a declaration is not to be confused with third party certification of conformity, which may also be desirable.

Annex A

(informative)

Example of foundations

Dimensions in millimetres



Key

- 1 upright/pole
- 2 sport surface
- 3 concrete block
- 4 ground socket
- 5 drainage hole

Figure A.1 — Foundation

Table A.1 — Heights

Dimensions in millimetres

Height	Upright min.
h_1	40
h_2	500

Annex B (informative)

A-Deviation

A-deviation: National deviation due to regulations, the alteration of which is for the time being outside the competence of the CEN/CENELEC member.

This document does not fall under any Directive of the EC.

In the relevant CEN/CENELEC countries, these A-deviations are valid instead of the provisions of the document until they have been removed.

France:

Considering the inclusion of an additional Type 4 for free standing football goals with counterweight and considering the French national current regulation laying down the safety requirements to be fulfilled by football, handball, field and indoor hockey goals and basketball goals (decree n° 2007-1133 of July 24, 2007), which provides under article 3 that

"The equipment placed on the market shall be provided with an installation device enabling to ensure that it is firmly secured.

The fixing device shall allow to prevent the equipment from falling, overturning or toppling over under reasonably foreseeable conditions of use.

It shall in particular ensure the stability of the equipment in the event of hanging onto or swinging from the horizontal crossbar of the football, handball, hockey goal or onto or from the ring of the basketball goal...(article R322-21 of the Code of Sport)

The making available to users for sports or game activity purposes, either free of charge or against payment, of football, handball, hockey goals and of basketball goals intended for outdoor or indoor use, is prohibited if this equipment is not firmly secured/fixed and if it does not meet the safety requirements specified by the decree on the regulatory provisions of the Code of Sport...(article R322-24 of the Code of Sport)"

France has asked for this national deviation.

In France, all provisions in EN 748 regarding Type 4 are authorised under specific operating conditions (cf. R322-24 of the Code of Sport).

This concerns 3.1, 3.2, 4.4 and 5.3.2.

Bibliography

- [1] EN ISO 2062, *Textiles — Yarns from packages — Determination of single-end breaking force and elongation at break using constant rate of extension (CRE) tester (ISO 2062)*

British Standards Institution (BSI)

BSI is the national body responsible for preparing British Standards and other standards-related publications, information and services.

BSI is incorporated by Royal Charter. British Standards and other standardization products are published by BSI Standards Limited.

About us

We bring together business, industry, government, consumers, innovators and others to shape their combined experience and expertise into standards-based solutions.

The knowledge embodied in our standards has been carefully assembled in a dependable format and refined through our open consultation process. Organizations of all sizes and across all sectors choose standards to help them achieve their goals.

Information on standards

We can provide you with the knowledge that your organization needs to succeed. Find out more about British Standards by visiting our website at bsigroup.com/standards or contacting our Customer Services team or Knowledge Centre.

Buying standards

You can buy and download PDF versions of BSI publications, including British and adopted European and international standards, through our website at bsigroup.com/shop, where hard copies can also be purchased.

If you need international and foreign standards from other Standards Development Organizations, hard copies can be ordered from our Customer Services team.

Subscriptions

Our range of subscription services are designed to make using standards easier for you. For further information on our subscription products go to bsigroup.com/subscriptions.

With **British Standards Online (BSOL)** you'll have instant access to over 55,000 British and adopted European and international standards from your desktop. It's available 24/7 and is refreshed daily so you'll always be up to date.

You can keep in touch with standards developments and receive substantial discounts on the purchase price of standards, both in single copy and subscription format, by becoming a **BSI Subscribing Member**.

PLUS is an updating service exclusive to BSI Subscribing Members. You will automatically receive the latest hard copy of your standards when they're revised or replaced.

To find out more about becoming a BSI Subscribing Member and the benefits of membership, please visit bsigroup.com/shop.

With a **Multi-User Network Licence (MUNL)** you are able to host standards publications on your intranet. Licences can cover as few or as many users as you wish. With updates supplied as soon as they're available, you can be sure your documentation is current. For further information, email bsmusales@bsigroup.com.

BSI Group Headquarters

389 Chiswick High Road London W4 4AL UK

Revisions

Our British Standards and other publications are updated by amendment or revision.

We continually improve the quality of our products and services to benefit your business. If you find an inaccuracy or ambiguity within a British Standard or other BSI publication please inform the Knowledge Centre.

Copyright

All the data, software and documentation set out in all British Standards and other BSI publications are the property of and copyrighted by BSI, or some person or entity that owns copyright in the information used (such as the international standardization bodies) and has formally licensed such information to BSI for commercial publication and use. Except as permitted under the Copyright, Designs and Patents Act 1988 no extract may be reproduced, stored in a retrieval system or transmitted in any form or by any means – electronic, photocopying, recording or otherwise – without prior written permission from BSI. Details and advice can be obtained from the Copyright & Licensing Department.

Useful Contacts:

Customer Services

Tel: +44 845 086 9001

Email (orders): orders@bsigroup.com

Email (enquiries): cservices@bsigroup.com

Subscriptions

Tel: +44 845 086 9001

Email: subscriptions@bsigroup.com

Knowledge Centre

Tel: +44 20 8996 7004

Email: knowledgecentre@bsigroup.com

Copyright & Licensing

Tel: +44 20 8996 7070

Email: copyright@bsigroup.com



...making excellence a habit.™