

BS EN 325:2012



BSI Standards Publication

Wood-based panels — Determination of dimensions of test pieces

bsi.

...making excellence a habit.™

National foreword

This British Standard is the UK implementation of EN 325:2012. It supersedes BS EN 325:1993 which is withdrawn.

The UK participation in its preparation was entrusted to Technical Committee B/541, Wood based panels.

A list of organizations represented on this committee can be obtained on request to its secretary.

This publication does not purport to include all the necessary provisions of a contract. Users are responsible for its correct application.

© The British Standards Institution 2012. Published by BSI Standards Limited 2012

ISBN 978 0 580 72859 4

ICS 79.060.01

Compliance with a British Standard cannot confer immunity from legal obligations.

This British Standard was published under the authority of the Standards Policy and Strategy Committee on 31 May 2012.

Amendments issued since publication

Date	Text affected
------	---------------

EUROPEAN STANDARD

EN 325

NORME EUROPÉENNE

EUROPÄISCHE NORM

March 2012

ICS 79.060.01

Supersedes EN 325:1993

English Version

Wood-based panels - Determination of dimensions of test pieces

Panneaux à base de bois - Détermination des dimensions
des éprouvettes

Holzwerkstoffe - Bestimmung der Maße der Prüfkörper

This European Standard was approved by CEN on 11 February 2012.

CEN members are bound to comply with the CEN/CENELEC Internal Regulations which stipulate the conditions for giving this European Standard the status of a national standard without any alteration. Up-to-date lists and bibliographical references concerning such national standards may be obtained on application to the CEN-CENELEC Management Centre or to any CEN member.

This European Standard exists in three official versions (English, French, German). A version in any other language made by translation under the responsibility of a CEN member into its own language and notified to the CEN-CENELEC Management Centre has the same status as the official versions.

CEN members are the national standards bodies of Austria, Belgium, Bulgaria, Croatia, Cyprus, Czech Republic, Denmark, Estonia, Finland, France, Germany, Greece, Hungary, Iceland, Ireland, Italy, Latvia, Lithuania, Luxembourg, Malta, Netherlands, Norway, Poland, Portugal, Romania, Slovakia, Slovenia, Spain, Sweden, Switzerland, Turkey and United Kingdom.



EUROPEAN COMMITTEE FOR STANDARDIZATION
COMITÉ EUROPÉEN DE NORMALISATION
EUROPÄISCHES KOMITEE FÜR NORMUNG

Management Centre: Avenue Marnix 17, B-1000 Brussels

Contents

Page

Foreword.....	3
1 Scope	4
2 Normative references	4
3 Principles.....	4
4 Apparatus	4
4.1 Instrument for thickness measurement	4
4.2 Instrument for length and width measurement	4
5 Test pieces	4
5.1 Sampling and cutting	4
5.2 Dimensions.....	4
5.3 Conditioning.....	4
6 Procedure	5
6.1 Measuring points	5
6.2 Thickness measurement.....	5
6.3 Length and width measurement.....	5
7 Test report	5
Bibliography	6

Foreword

This document (EN 325:2012) has been prepared by Technical Committee CEN/TC 112 "Wood-based panels", the secretariat of which is held by DIN.

This European Standard shall be given the status of a national standard, either by publication of an identical text or by endorsement, at the latest by September 2012, and conflicting national standards shall be withdrawn at the latest by September 2012.

Attention is drawn to the possibility that some of the elements of this document may be the subject of patent rights. CEN [and/or CENELEC] shall not be held responsible for identifying any or all such patent rights.

This document supersedes EN 325:1993.

Compared to EN 325:1993 the following modifications have been made:

- a) for thickness measurement in 4.1 measuring surface diameter changed from (16 ± 1) mm to 15 mm to 20 mm;
- b) for length and width measurement in 4.2 minimum measuring surface width changed from 5 mm to 3 mm.

According to the CEN/CENELEC Internal Regulations, the national standards organizations of the following countries are bound to implement this European Standard: Austria, Belgium, Bulgaria, Croatia, Cyprus, Czech Republic, Denmark, Estonia, Finland, France, Germany, Greece, Hungary, Iceland, Ireland, Italy, Latvia, Lithuania, Luxembourg, Malta, Netherlands, Norway, Poland, Portugal, Romania, Slovakia, Slovenia, Spain, Sweden, Switzerland, Turkey and the United Kingdom.

1 Scope

This European Standard specifies a method for measuring the thickness, length and width of test pieces of wood-based panels.

2 Normative references

The following documents, in whole or in part, are normatively referenced in this document and are indispensable for its application. For dated references, only the edition cited applies. For undated references, the latest edition of the referenced document (including any amendments) applies.

EN 326-1, *Wood-based panels — Sampling, cutting and inspection — Part 1: Sampling and cutting of test pieces and expression of test results*

3 Principles

The length and width of test pieces are determined by linear measurement.

4 Apparatus

4.1 Instrument for thickness measurement

Micrometer, or similar measuring instrument, having flat and parallel circular measuring surfaces of 15 mm to 20 mm diameter and an operation force of (4 ± 1) N. The graduation of the apparatus shall allow a reading to 0,01 mm.

4.2 Instrument for length and width measurement

Sliding calliper, or any other instrument with measuring surfaces of at least 3 mm width, graduated to allow a reading to 0,1 mm.

5 Test pieces

5.1 Sampling and cutting

Carry out the sampling and cutting in accordance with EN 326-1.

5.2 Dimensions

The dimensions of the test pieces shall be in accordance with those specified in the relevant test method.

5.3 Conditioning

The test pieces shall be conditioned to constant mass in an atmosphere with a relative humidity of (65 ± 5) % and a temperature of (20 ± 2) °C. Constant mass is considered to be reached when the results of two successive weighing operations, carried out at an interval of 24 h, do not differ by more than 0,1 % of the mass of the test piece.

6 Procedure

6.1 Measuring points

The number and positions of the measuring points shall be in accordance with the relevant European Standard for test methods.

6.2 Thickness measurement

Apply the measuring surfaces of the instrument slowly to the test piece. Measure the thickness to 0,01 mm.

6.3 Length and width measurement

For measuring the length and width, apply the jaw of the sliding calliper slowly and without excessive pressure to the test piece, at an angle of approximately 45° to the plane of the test piece (see Figure 1).

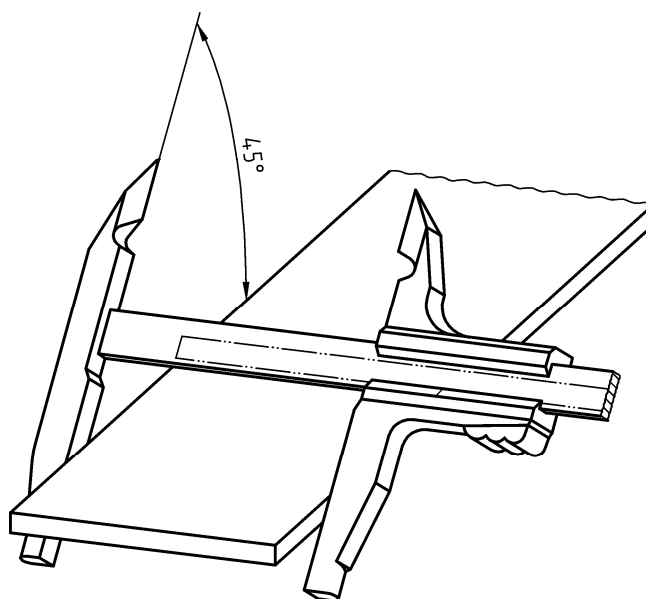


Figure 1 — Inclination of sliding calliper to plane of test piece

Measure the length and width to 0,1 mm.

7 Test report

As described in EN 326-1.

Bibliography

ISO 9424:2003, *Wood-based panels — Determination of dimensions of test pieces*

British Standards Institution (BSI)

BSI is the national body responsible for preparing British Standards and other standards-related publications, information and services.

BSI is incorporated by Royal Charter. British Standards and other standardization products are published by BSI Standards Limited.

About us

We bring together business, industry, government, consumers, innovators and others to shape their combined experience and expertise into standards-based solutions.

The knowledge embodied in our standards has been carefully assembled in a dependable format and refined through our open consultation process. Organizations of all sizes and across all sectors choose standards to help them achieve their goals.

Information on standards

We can provide you with the knowledge that your organization needs to succeed. Find out more about British Standards by visiting our website at bsigroup.com/standards or contacting our Customer Services team or Knowledge Centre.

Buying standards

You can buy and download PDF versions of BSI publications, including British and adopted European and international standards, through our website at bsigroup.com/shop, where hard copies can also be purchased.

If you need international and foreign standards from other Standards Development Organizations, hard copies can be ordered from our Customer Services team.

Subscriptions

Our range of subscription services are designed to make using standards easier for you. For further information on our subscription products go to bsigroup.com/subscriptions.

With **British Standards Online (BSOL)** you'll have instant access to over 55,000 British and adopted European and international standards from your desktop. It's available 24/7 and is refreshed daily so you'll always be up to date.

You can keep in touch with standards developments and receive substantial discounts on the purchase price of standards, both in single copy and subscription format, by becoming a **BSI Subscribing Member**.

PLUS is an updating service exclusive to BSI Subscribing Members. You will automatically receive the latest hard copy of your standards when they're revised or replaced.

To find out more about becoming a BSI Subscribing Member and the benefits of membership, please visit bsigroup.com/shop.

With a **Multi-User Network Licence (MUNL)** you are able to host standards publications on your intranet. Licences can cover as few or as many users as you wish. With updates supplied as soon as they're available, you can be sure your documentation is current. For further information, email bsmusales@bsigroup.com.

BSI Group Headquarters

389 Chiswick High Road London W4 4AL UK

Revisions

Our British Standards and other publications are updated by amendment or revision.

We continually improve the quality of our products and services to benefit your business. If you find an inaccuracy or ambiguity within a British Standard or other BSI publication please inform the Knowledge Centre.

Copyright

All the data, software and documentation set out in all British Standards and other BSI publications are the property of and copyrighted by BSI, or some person or entity that owns copyright in the information used (such as the international standardization bodies) and has formally licensed such information to BSI for commercial publication and use. Except as permitted under the Copyright, Designs and Patents Act 1988 no extract may be reproduced, stored in a retrieval system or transmitted in any form or by any means – electronic, photocopying, recording or otherwise – without prior written permission from BSI. Details and advice can be obtained from the Copyright & Licensing Department.

Useful Contacts:

Customer Services

Tel: +44 845 086 9001

Email (orders): orders@bsigroup.com

Email (enquiries): cservices@bsigroup.com

Subscriptions

Tel: +44 845 086 9001

Email: subscriptions@bsigroup.com

Knowledge Centre

Tel: +44 20 8996 7004

Email: knowledgecentre@bsigroup.com

Copyright & Licensing

Tel: +44 20 8996 7070

Email: copyright@bsigroup.com



...making excellence a habit.™