

Atomizing oil burners — Oil burner pumps and oil burner motors — Connecting dimensions —

Part 1: Oil burner pumps

The European Standard EN 225-1:2007 has the status of a
British Standard

ICS 27.060.10

National foreword

This British Standard is the UK implementation of EN 225-1:2007. Together with BS EN 225-2:2007 it supersedes BS 799-7:1988 which is withdrawn.

The UK participation in its preparation was entrusted to Technical Committee GSE/27, Automatic gas and oil burners.

A list of organizations represented on this committee can be obtained on request to its secretary.

This publication does not purport to include all the necessary provisions of a contract. Users are responsible for its correct application.

Compliance with a British Standard cannot confer immunity from legal obligations.

This British Standard was published under the authority of the Standards Policy and Strategy Committee on 31 October 2007

© BSI 2007

ISBN 978 0 580 55782 8

Amendments issued since publication

Amd. No.	Date	Comments

English Version

Atomizing oil burners - Oil burner pumps and oil burner motors -
Connecting dimensions - Part 1: Oil burner pumps

Brûleurs à fioul à pulvérisation - Pompes et moteurs pour
brûleurs à fioul - Dimensions de liaison - Partie 1 : Pompes
pour brûleurs à fioul

Ölzerstäubungsbrenner - Anschlussmaße für Ölbrenner-
Pumpen und Ölbrenner-Motore - Teil 1: Ölbrenner-Pumpen

This European Standard was approved by CEN on 26 August 2007.

CEN members are bound to comply with the CEN/CENELEC Internal Regulations which stipulate the conditions for giving this European Standard the status of a national standard without any alteration. Up-to-date lists and bibliographical references concerning such national standards may be obtained on application to the CEN Management Centre or to any CEN member.

This European Standard exists in three official versions (English, French, German). A version in any other language made by translation under the responsibility of a CEN member into its own language and notified to the CEN Management Centre has the same status as the official versions.

CEN members are the national standards bodies of Austria, Belgium, Bulgaria, Cyprus, Czech Republic, Denmark, Estonia, Finland, France, Germany, Greece, Hungary, Iceland, Ireland, Italy, Latvia, Lithuania, Luxembourg, Malta, Netherlands, Norway, Poland, Portugal, Romania, Slovakia, Slovenia, Spain, Sweden, Switzerland and United Kingdom.



EUROPEAN COMMITTEE FOR STANDARDIZATION
COMITÉ EUROPÉEN DE NORMALISATION
EUROPÄISCHES KOMITEE FÜR NORMUNG

Management Centre: rue de Stassart, 36 B-1050 Brussels

Contents

Foreword.....	3
1 Scope	4
2 Normative references	4
3 Dimensions	4
Bibliography	7

Foreword

This document (EN 225-1:2007) has been prepared by Technical Committee CEN/TC 47 "Atomizing oil burners and their components-Function-Safety-Testing", the secretariat of which is held by DIN.

This European Standard shall be given the status of a national standard, either by publication of an identical text or by endorsement, at the latest by April 2008, and conflicting national standards shall be withdrawn at the latest by April 2008.

Attention is drawn to the possibility that some of the elements of this document may be the subject of patent rights. CEN [and/or CENELEC] shall not be held responsible for identifying any or all such patent rights.

This document supersedes EN 225:1987.

According to the CEN/CENELEC Internal Regulations, the national standards organizations of the following countries are bound to implement this European Standard: Austria, Belgium, Bulgaria, Cyprus, Czech Republic, Denmark, Estonia, Finland, France, Germany, Greece, Hungary, Iceland, Ireland, Italy, Latvia, Lithuania, Luxembourg, Malta, Netherlands, Norway, Poland, Portugal, Romania, Slovakia, Slovenia, Spain, Sweden, Switzerland and the United Kingdom.

Changes relating to EN 225:1987: Size K32-08 (Version A) included, tolerances restricted.

1 Scope

This European Standard specifies the dimensions for connectors and certain dimensional characteristics of pumps for atomizing oil burners.

2 Normative references

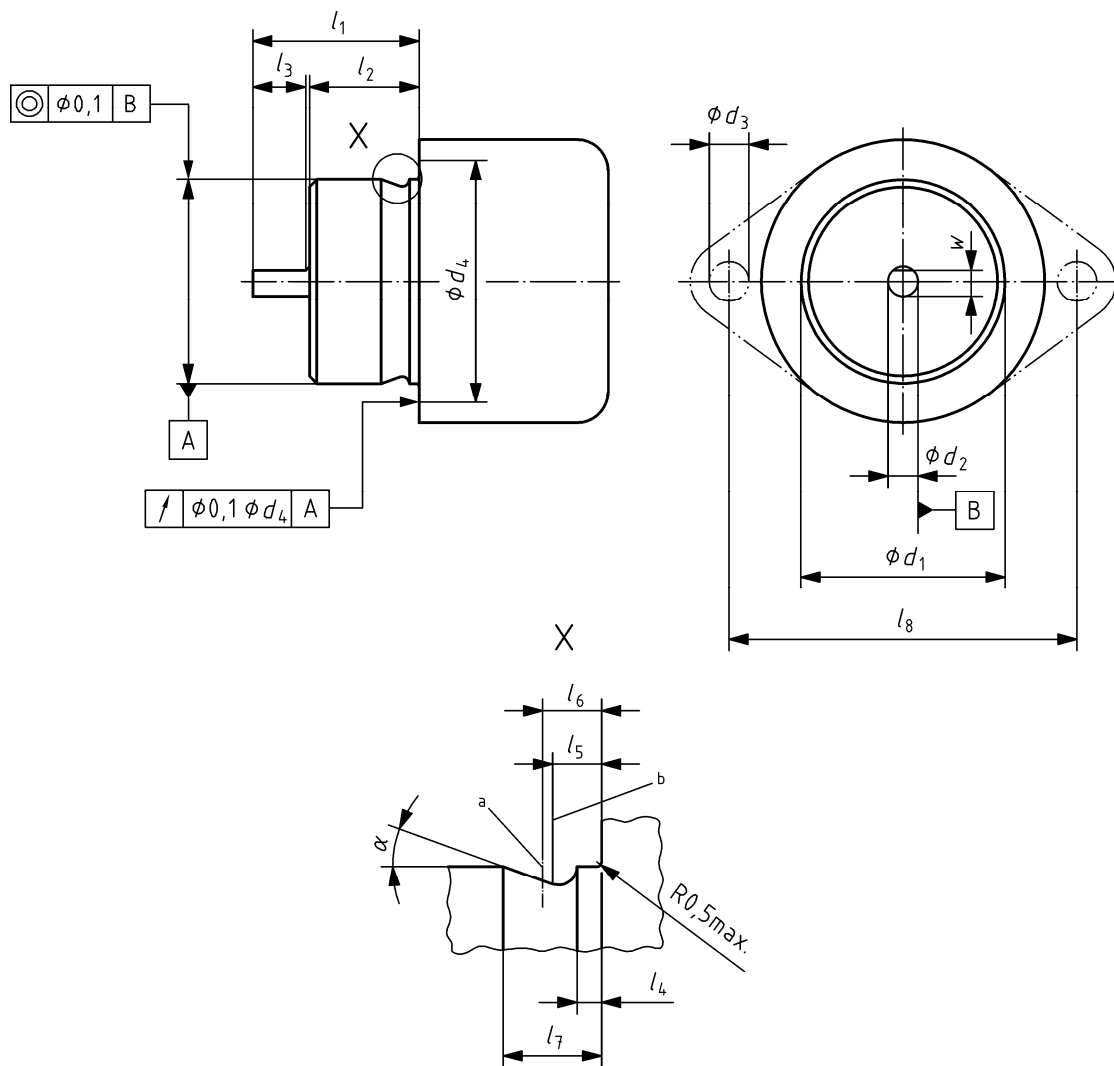
The following referenced documents are indispensable for the application of this document. For dated references, only the edition cited applies. For undated references, the latest edition of the referenced document (including any amendments) applies.

prEN ISO 286-1, *Geometrical product specification (GPS) – ISO coding system for tolerances of linear sizes – Part 1: Basis of tolerances, deviations and fits (ISO/DIS 286-1:2007)*

3 Dimensions

The dimensions shall be those given in Table 1. The tolerances for the diameters d_1 , d_2 and shall be in accordance with prEN ISO 286-1. It is recommended to fabricate the thread connections (in inches) 1/8, 1/4, 3/8, 1/2 for the connecting oil pipes according to EN ISO 228-1.

Dimensions in millimetres



Key

- a axis of radial fixing screws
- b start of rounding

Figure 1 — Dimensions

Table 1 — Dimensions

Dimensions in millimetres

Designation and size	d_1	d_2	w	l_1^c with- out flange	l_2^c max	l_3^c min	l_4	l_5 max	l_6	l_7	d_3	d_4^d	l_1 with flange	l_8	Gradient of slot α (in degrees)
K32-08 (A)	32e8	8h7	7±0,05	42±0,5	21	14	2,5±0,5	5	$6_{0}^{+0,5}$	10±1	—	42	—	—	—
K32-08 (B)		8h7	—	42±0,5	27	14					42	—	—	—	
F54-08 ^a	54e9	8h7	—	—	27	14					10,5±0,5	64	$42_{-6}^{+0,5}$	92±0,1	20_{0}^{+5}
K54-08 ^b	54e9	8h7	—	—	50	20					10,5±0,5	64	80±1,5	—	—
F54-118	54e9	11,11 3e7	10,1±0,1	—	—	20					—	—	—	—	—

^a The slot provided at the end of the hub in pumps fastened by the hub is not necessary for pumps fastened by flanges, but may however be allowed.

^b For new pump models, size K 54-08 is not considered as a standard size.

^c ($l_1 - l_2$) shall be greater than l_3 .

^d Measuring diameter for the circular axial run-out tolerance.

Bibliography

- [1] EN ISO 228-1, Pipe threads where pressure-tight joints are not made on the threads – Part 1: Dimensions, tolerances and designation (ISO 228-1:2000)

BSI — British Standards Institution

BSI is the independent national body responsible for preparing British Standards. It presents the UK view on standards in Europe and at the international level. It is incorporated by Royal Charter.

Revisions

British Standards are updated by amendment or revision. Users of British Standards should make sure that they possess the latest amendments or editions.

It is the constant aim of BSI to improve the quality of our products and services. We would be grateful if anyone finding an inaccuracy or ambiguity while using this British Standard would inform the Secretary of the technical committee responsible, the identity of which can be found on the inside front cover.
Tel: +44 (0)20 8996 9000. Fax: +44 (0)20 8996 7400.

BSI offers members an individual updating service called PLUS which ensures that subscribers automatically receive the latest editions of standards.

Buying standards

Orders for all BSI, international and foreign standards publications should be addressed to Customer Services. Tel: +44 (0)20 8996 9001.
Fax: +44 (0)20 8996 7001. Email: orders@bsi-global.com. Standards are also available from the BSI website at <http://www.bsi-global.com>.

In response to orders for international standards, it is BSI policy to supply the BSI implementation of those that have been published as British Standards, unless otherwise requested.

Information on standards

BSI provides a wide range of information on national, European and international standards through its Library and its Technical Help to Exporters Service. Various BSI electronic information services are also available which give details on all its products and services. Contact the Information Centre.
Tel: +44 (0)20 8996 7111. Fax: +44 (0)20 8996 7048. Email: info@bsi-global.com.

Subscribing members of BSI are kept up to date with standards developments and receive substantial discounts on the purchase price of standards. For details of these and other benefits contact Membership Administration.
Tel: +44 (0)20 8996 7002. Fax: +44 (0)20 8996 7001.
Email: membership@bsi-global.com.

Information regarding online access to British Standards via British Standards Online can be found at <http://www.bsi-global.com/bsonline>.

Further information about BSI is available on the BSI website at <http://www.bsi-global.com>.

Copyright

Copyright subsists in all BSI publications. BSI also holds the copyright, in the UK, of the publications of the international standardization bodies. Except as permitted under the Copyright, Designs and Patents Act 1988 no extract may be reproduced, stored in a retrieval system or transmitted in any form or by any means – electronic, photocopying, recording or otherwise – without prior written permission from BSI.

This does not preclude the free use, in the course of implementing the standard, of necessary details such as symbols, and size, type or grade designations. If these details are to be used for any other purpose than implementation then the prior written permission of BSI must be obtained.

Details and advice can be obtained from the Copyright & Licensing Manager.
Tel: +44 (0)20 8996 7070. Fax: +44 (0)20 8996 7553.
Email: copyright@bsi-global.com.