

Respiratory protective devices — Threads for facepieces —

Part 2: Centre thread connection

The European Standard EN 148-2:1999 has the status of a
British Standard

ICS 13.340.30

National foreword

This British Standard is the English language version of EN 148-2:1999.

The UK participation in its preparation was entrusted by Technical Committee PH/4, Respiratory protection, to PH/4/3, Facepieces, which has the responsibility to:

- aid enquirers to understand the text;
- present to the responsible European committee any enquiries on the interpretation, or proposals for change, and keep the UK interests informed;
- monitor related international and European developments and promulgate them in the UK.

A list of organizations represented on this subcommittee can be obtained on request to its secretary.

Cross-references

The British Standards which implement international or European publications referred to in this document may be found in the BSI Standards Catalogue under the section entitled “International Standards Correspondence Index”, or by using the “Find” facility of the BSI Standards Electronic Catalogue.

A British Standard does not purport to include all the necessary provisions of a contract. Users of British Standards are responsible for their correct application.

Compliance with a British Standard does not of itself confer immunity from legal obligations.

Summary of pages

This document comprises a front cover, an inside front cover, the EN title page, pages 2 to 6, an inside back cover and a back cover.

This British Standard, having been prepared under the direction of the Sector Committee for Health and Environment, was published under the authority of the Standards Committee and comes into effect on 15 July 1999

© BSI 07-1999

Amendments issued since publication

Amd. No.	Date	Comments

English version

Respiratory protective devices — Threads for facepieces — Part 2: Centre thread connection

Appareils de protection respiratoire — Filetages
pour pièces faciales —
Partie 2: Raccord à filetage central

Atemschutzgeräte — Gewinde für
Atemanschlüsse — Teil 2: Zentralgewindeanschluß

This European Standard was approved by CEN on 8 January 1999.

CEN members are bound to comply with the CEN/CENELEC Internal Regulations which stipulate the conditions for giving this European Standard the status of a national standard without any alteration. Up-to-date lists and bibliographical references concerning such national standards may be obtained on application to the Central Secretariat or to any CEN member.

This European Standard exists in three official versions (English, French, German). A version in any other language made by translation under the responsibility of a CEN member into its own language and notified to the Central Secretariat has the same status as the official versions.

CEN members are the national standards bodies of Austria, Belgium, Czech Republic, Denmark, Finland, France, Germany, Greece, Iceland, Ireland, Italy, Luxembourg, Netherlands, Norway, Portugal, Spain, Sweden, Switzerland and United Kingdom.

CEN

European Committee for Standardization
Comité Européen de Normalisation
Europäisches Komitee für Normung

Central Secretariat: rue de Stassart 36, B-1050 Brussels

Foreword

This European Standard has been prepared by the Technical Committee CEN/TC 79, Respiratory protective devices, the Secretariat of which is held by DIN.

This European Standard supersedes EN 148-2:1987.

This European Standard shall be given the status of a national standard, either by publication of an identical text or by endorsement, at the latest by August 1999, and conflicting national standards shall be withdrawn at the latest by August 1999.

Corrigendum EN 148-2:1987/AC:1992 was incorporated (see heading column 4 in table in clause 5), but with no other technical changes.

This European Standard has been prepared under a mandate given to CEN by the European Commission and the European Free Trade Association, and supports essential requirements of Directive 89/686/EEC.

For relationship(s) with EU Directive(s), see informative annex ZA, which is an integral part of this standard.

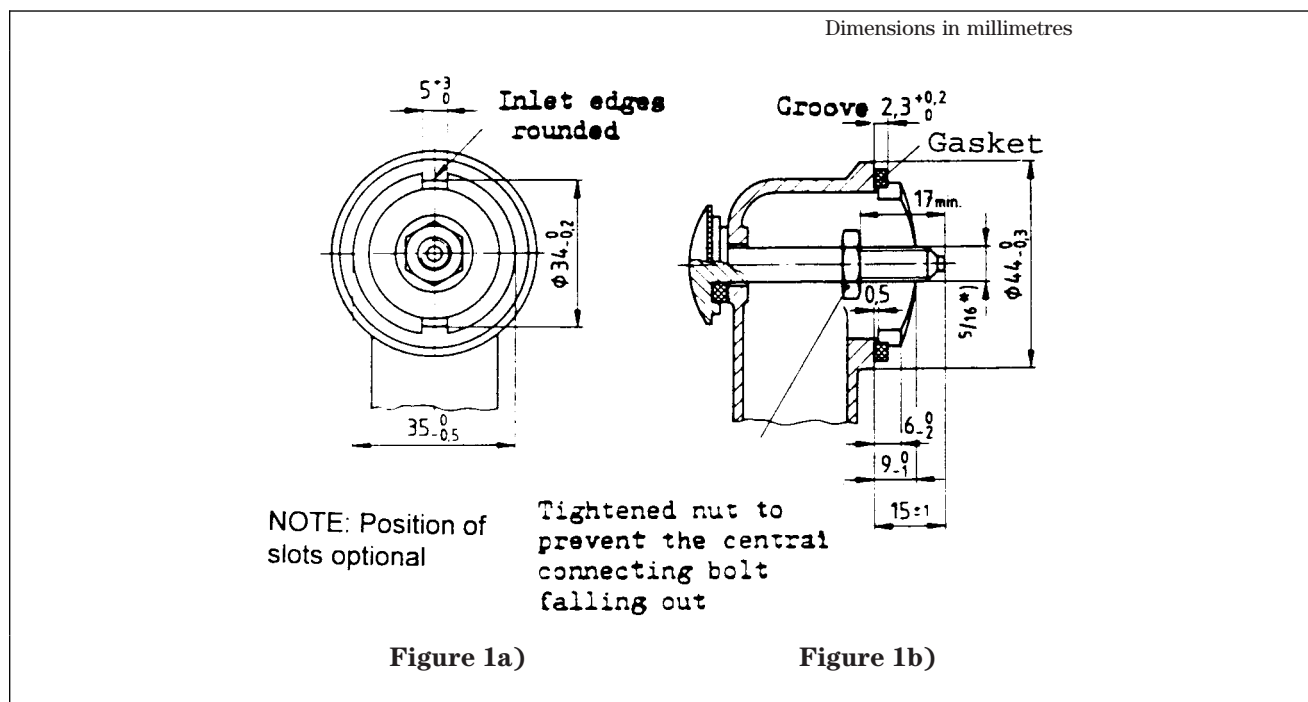
According to the CEN/CENELEC Internal Regulations, the national standards organizations of the following countries are bound to implement this European Standard: Austria, Belgium, Czech Republic, Denmark, Finland, France, Germany, Greece, Iceland, Ireland, Italy, Luxembourg, Netherlands, Norway, Portugal, Spain, Sweden, Switzerland and the United Kingdom.

1 Scope

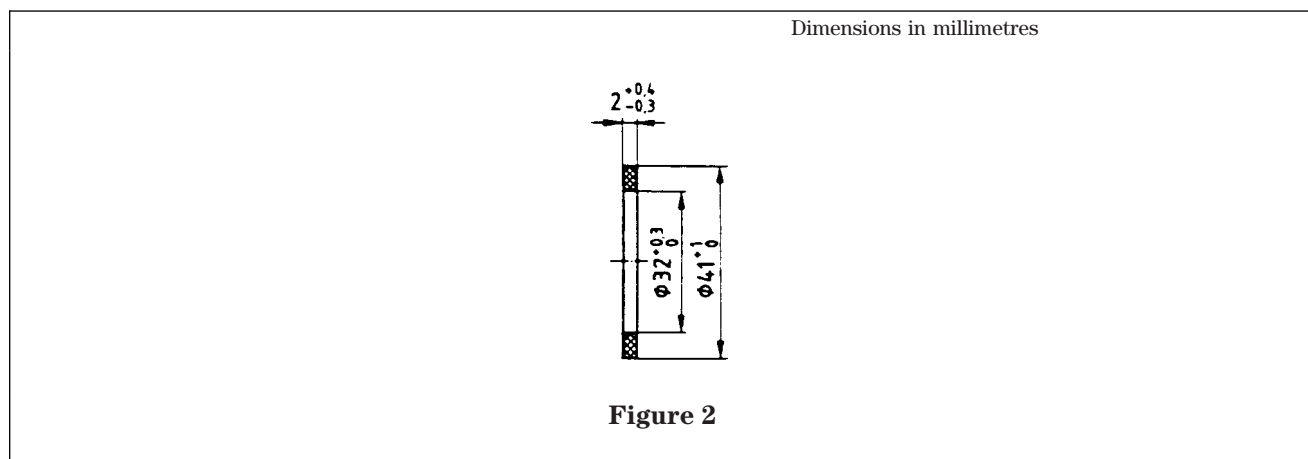
This European Standard is applicable to centre threads for respiratory protective devices. This standard does not apply to diving equipment and to positive pressure demand breathing apparatus.

2 Centre thread connector (A) for CO₂-absorbing cartridges

2.1 Coupling elbow AA



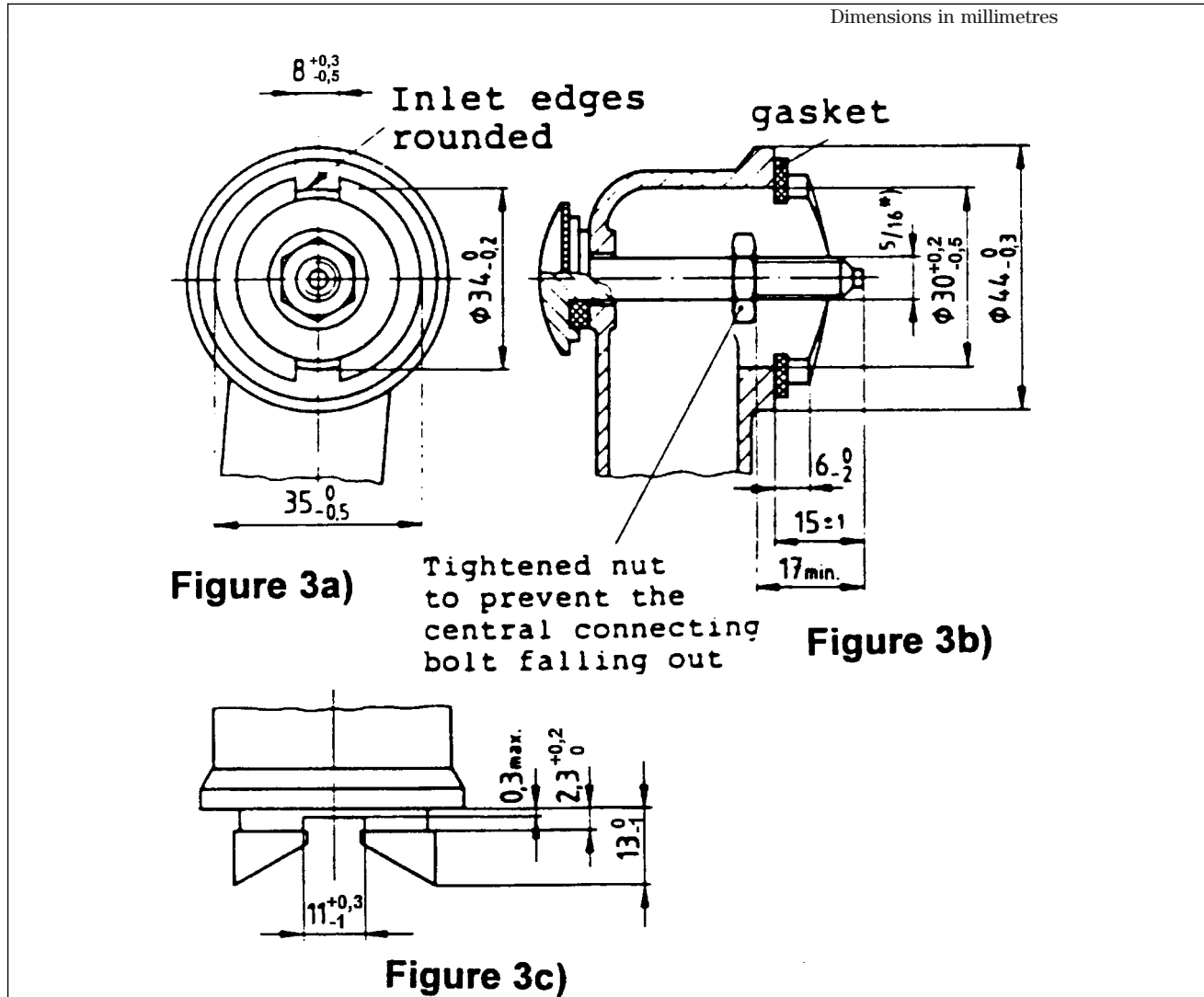
2.2 Gasket



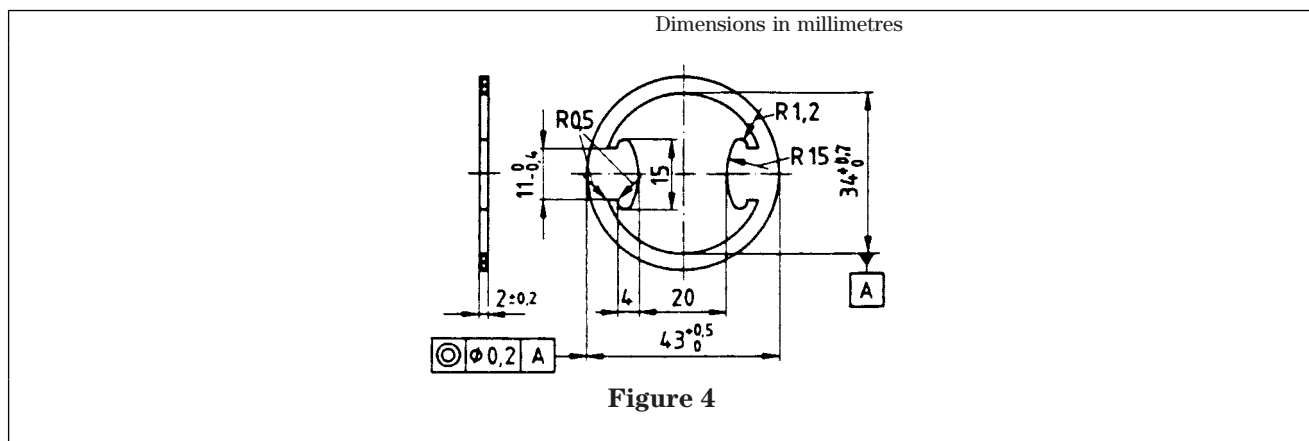
*) Specification see clause 5

3 Centre thread connector (B) for equipment connector

3.1 Coupling elbow BA

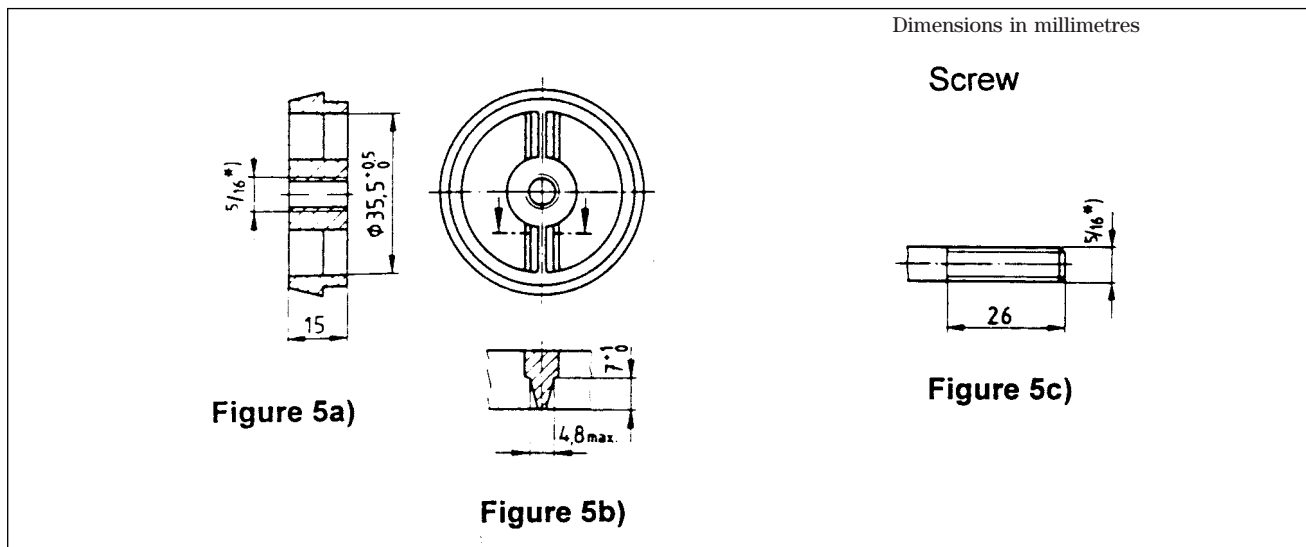


3.2 Gasket



*) Specification see clause 5.

4 Thread bridge AB (for connector A and B)



5 Dimensions for thread 5/16

Table 1

Dimensions in millimetres

Thread	Thread limits												Pitch	Number of threads per 25,4	Thread height
	External thread						Internal Thread								
	Major diameter		Pitch diameter		Minor diameter		Major diameter		Pitch diameter		Minor diameter				
5/16	max.	min.	max.	min.	max.	min.	max.	min.	max.	min.	max.	min.	1,411	18	0,904
	7,937	7,805	7,033	6,962	6,129	5,979	7,937	—	7,139	7,033	6,588	6,129			

NOTE Thread 5/16 is described in British Standard BS 84-1956.

*) Specification see clause 5.

Annex ZA (informative)

Clauses of this European Standard addressing essential requirements or other provisions of EU Directives

This European Standard has been prepared under a mandate given to CEN by the European Commission and the European Free Trade Association and supports essential requirements of EU Directive 89/686/EEC.

WARNING Other requirements and other EU Directives may be applicable to the products falling within the scope of this standard.

The following clauses of this standard are likely to support requirements of Directive 89/686/EEC, Annex II:

EU Directive 89/686/EEC, Annex II	Clauses of this standard
1.2.1	2, 3, 4
1.3.3	2, 3, 4
2.8	2, 3, 4
2.10	2, 3, 4
3.10.1	2, 3, 4

Compliance with the clauses of this standard provides one means of conforming with the specific essential requirements of the Directive concerned and associated EFTA regulations.

BSI — British Standards Institution

BSI is the independent national body responsible for preparing British Standards. It presents the UK view on standards in Europe and at the international level. It is incorporated by Royal Charter.

Revisions

British Standards are updated by amendment or revision. Users of British Standards should make sure that they possess the latest amendments or editions.

It is the constant aim of BSI to improve the quality of our products and services. We would be grateful if anyone finding an inaccuracy or ambiguity while using this British Standard would inform the Secretary of the technical committee responsible, the identity of which can be found on the inside front cover. Tel: 020 8996 9000. Fax: 020 8996 7400.

BSI offers members an individual updating service called PLUS which ensures that subscribers automatically receive the latest editions of standards.

Buying standards

Orders for all BSI, international and foreign standards publications should be addressed to Customer Services. Tel: 020 8996 9001. Fax: 020 8996 7001.

In response to orders for international standards, it is BSI policy to supply the BSI implementation of those that have been published as British Standards, unless otherwise requested.

Information on standards

BSI provides a wide range of information on national, European and international standards through its Library and its Technical Help to Exporters Service. Various BSI electronic information services are also available which give details on all its products and services. Contact the Information Centre. Tel: 020 8996 7111. Fax: 020 8996 7048.

Subscribing members of BSI are kept up to date with standards developments and receive substantial discounts on the purchase price of standards. For details of these and other benefits contact Membership Administration. Tel: 020 8996 7002. Fax: 020 8996 7001.

Copyright

Copyright subsists in all BSI publications. BSI also holds the copyright, in the UK, of the publications of the international standardization bodies. Except as permitted under the Copyright, Designs and Patents Act 1988 no extract may be reproduced, stored in a retrieval system or transmitted in any form or by any means – electronic, photocopying, recording or otherwise – without prior written permission from BSI.

This does not preclude the free use, in the course of implementing the standard, of necessary details such as symbols, and size, type or grade designations. If these details are to be used for any other purpose than implementation then the prior written permission of BSI must be obtained.

If permission is granted, the terms may include royalty payments or a licensing agreement. Details and advice can be obtained from the Copyright Manager. Tel: 020 8996 7070.