

Wall-hung hand rinse basins — Connecting dimensions

The European Standard EN 111:2003 has the status of a
British Standard

ICS 91.140.70

National foreword

This British Standard is the official English language version of EN 111:2003. It supersedes BS EN 111:1999 which is withdrawn.

The UK participation in its preparation was entrusted to Technical Committee B/503, Sanitary appliances, which has the responsibility to:

- aid enquirers to understand the text;
- present to the responsible international/European committee any enquiries on the interpretation, or proposals for change, and keep the UK interests informed;
- monitor related international and European developments and promulgate them in the UK.

A list of organizations represented on this committee can be obtained on request to its secretary.

Cross-references

The British Standards which implement international or European publications referred to in this document may be found in the *BSI Catalogue* under the section entitled “International Standards Correspondence Index”, or by using the “Search” facility of the *BSI Electronic Catalogue* or of British Standards Online.

This publication does not purport to include all the necessary provisions of a contract. Users are responsible for its correct application.

Compliance with a British Standard does not of itself confer immunity from legal obligations.

This British Standard was published under the authority of the Standards Policy and Strategy Committee on 26 March 2003

Summary of pages

This document comprises a front cover, an inside front cover, the EN title page, pages 2 to 7 and a back cover.

The BSI copyright date displayed in this document indicates when the document was last issued.

Amendments issued since publication

Amd. No.	Date	Comments

English version

Wall-hung hand rinse basins - Connecting dimensions

Lave-mains suspendus - Cotes de raccordement

Wandhängende Handwaschbecken - Anschlussmaße

This European Standard was approved by CEN on 27 December 2002.

CEN members are bound to comply with the CEN/CENELEC Internal Regulations which stipulate the conditions for giving this European Standard the status of a national standard without any alteration. Up-to-date lists and bibliographical references concerning such national standards may be obtained on application to the Management Centre or to any CEN member.

This European Standard exists in three official versions (English, French, German). A version in any other language made by translation under the responsibility of a CEN member into its own language and notified to the Management Centre has the same status as the official versions.

CEN members are the national standards bodies of Austria, Belgium, Czech Republic, Denmark, Finland, France, Germany, Greece, Hungary, Iceland, Ireland, Italy, Luxembourg, Malta, Netherlands, Norway, Portugal, Slovakia, Spain, Sweden, Switzerland and United Kingdom.



EUROPEAN COMMITTEE FOR STANDARDIZATION
COMITÉ EUROPÉEN DE NORMALISATION
EUROPÄISCHES KOMITEE FÜR NORMUNG

Management Centre: rue de Stassart, 36 B-1050 Brussels

Contents

	page
Foreword.....	3
1 Scope	4
2 Connecting dimensions	4
2.1 Wall-hung hand rinse basin with one or two hole(s) for side tap(s).....	4
2.2 Wall-hung hand rinse basin with one hole for central tap.....	5
3 Waste outlet hole	6
3.1 Waste outlet hole with overflow	6
3.2 Waste outlet hole without overflow	7

Foreword

This document (EN 111:2003) has been prepared by Technical Committee CEN /TC 163, "Sanitary appliances", the secretariat of which is held by UNI.

This European Standard shall be given the status of a national standard, either by publication of an identical text or by endorsement, at the latest by September 2003, and conflicting national standards shall be withdrawn at the latest by September 2003.

This document supersedes EN 111:1998.

This revised version considers new market trends and compared to the version of November 1998 includes the following amendments: Dimension g_5 is added.

According to the CEN/CENELEC Internal Regulations, the national standards organizations of the following countries are bound to implement this European Standard: Austria, Belgium, Czech Republic, Denmark, Finland, France, Germany, Greece, Hungary, Iceland, Ireland, Italy, Luxembourg, Malta, Netherlands, Norway, Portugal, Slovakia, Spain, Sweden, Switzerland and the United Kingdom.

1 Scope

This European Standard specifies the connecting dimensions of wall-hung hand rinse basins, regardless of materials used for their manufacture.

This standard is not applicable to appliances of actual width of more than 530 mm.

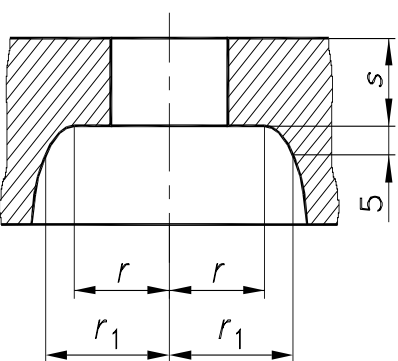
NOTE Only dimensions are compulsory. The shape of the appliance in the figures is for illustration only; it in no way prejudices the final shape of the appliance which is left to the initiative of the manufacturer.

2 Connecting dimensions

2.1 Wall-hung hand rinse basin with one or two hole(s) for side tap(s)

The connecting dimensions of wall-hung hand rinse basins with one or two hole(s) for side tap(s) shall comply with the dimensions given in Table 1.

Table 1 — Connecting dimensions of wall-hung hand rinse basins with one or two hole(s) for side tap(s) (see Figure 1)

Designation	Symbol	Dimensions mm	
Diameter of the tap hole(s)	d_2^a	35^{+2}_{-1}	
Shortest horizontal distance between the centre line of the tap hole(s) and the edge of the bowl	g_2	≤ 65	
Distance between the centre line of the tap hole(s) to the backwall	g_5	≥ 55	
Radius of a plane circular surface on tap platform having the same centre as the tap hole and intended to accommodate the tap	g_6	≥ 32	
	Radius of a cylinder having the same centre line as the tap hole(s) of a depth of 0 mm to 5 mm from the lower plane of the tap hole(s)	r	≥ 25
	Radius of a cylinder having the same centre line as the tap hole(s) of a depth of min. 5 mm from the lower plane of the tap hole(s)	r_1	≥ 30
	Thickness of the tap platform at the level of the zone concentric to the tap hole(s)	s	≤ 18
Horizontal distance between the centre line of the tap hole and the centre line of the waste outlet hole	t	≤ 170	
^a The diameter of 30_0^{+2} is permissible in connection with $r \geq 22$ and $r_1 \geq 25$			

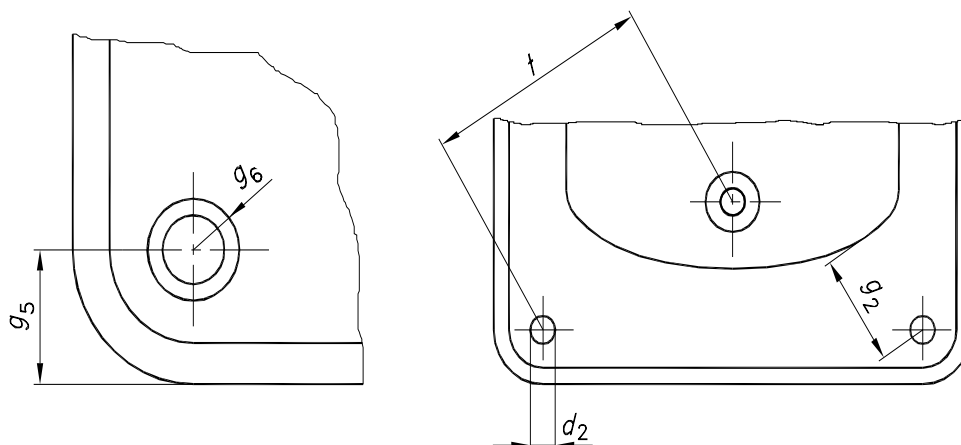


Figure 1 — Wall-hung hand rinse basin with one or two hole(s) for side tap(s)

2.2 Wall-hung hand rinse basin with one hole for central tap

The connecting dimensions of wall-hung hand rinse basins with one hole for central tap shall comply with the dimensions given in Table 2.

Table 2 — Connecting dimensions of wall-hung hand rinse basins with one hole for central tap (see Figure 2)

Designation	Symbol	Dimensions mm	
Diameter of the tap hole	d_2	35^{+2}_{-1}	
Horizontal distance between the centre line of the tap hole and the edge of the bowl	g_1	≤ 80	
Distance between the centre line of the tap hole to the backwall	g_5	≥ 55	
Radius of a plane circular surface on tap platform having the same centre as the tap hole and intended to accommodate the tap	g_6	≥ 32	
	Radius of a cylinder having the same centre line as the tap hole of a depth of 0 mm to 5 mm from the lower plane of the tap hole	≥ 25	
	Radius of a cylinder having the same centre line as the tap hole of a depth of min. 5 mm from the lower plane of the tap hole	r_1	≥ 30
	Thickness of the tap platform at the level of the zone concentric to the tap hole	s	≤ 18
Horizontal distance between the centre line of the tap hole and the centre line of the waste outlet hole	t	≤ 170	

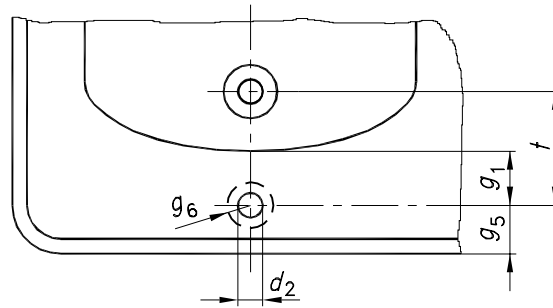


Figure 2 — Wall-hung hand rinse basin with one hole for central tap

3 Waste outlet hole

3.1 Waste outlet hole with overflow

The connecting dimension of a waste outlet hole with overflow shall comply with the dimensions given in Table 3.

Table 3 — Connecting dimensions of a waste outlet hole with overflow (see Figure 3)

Designation	Symbol	Dimensions mm
Bore of the waste outlet hole	d_3	46^{+2}_{-3}
Reference diameter	d_4	63
Diameter of the waste outlet hole	d_5	≤ 75
Diameter of the base for the seal between the waste outlet hole and the tap	d_6	≥ 60
Height for appliance with an overflow	h	45^{+5}_0
Distance between the reference diameter d_4 and the base for the seal	h_1	45^0_{-5}
Vertical distance between the tap platform and the underside of the waste outlet hole	p	≤ 250

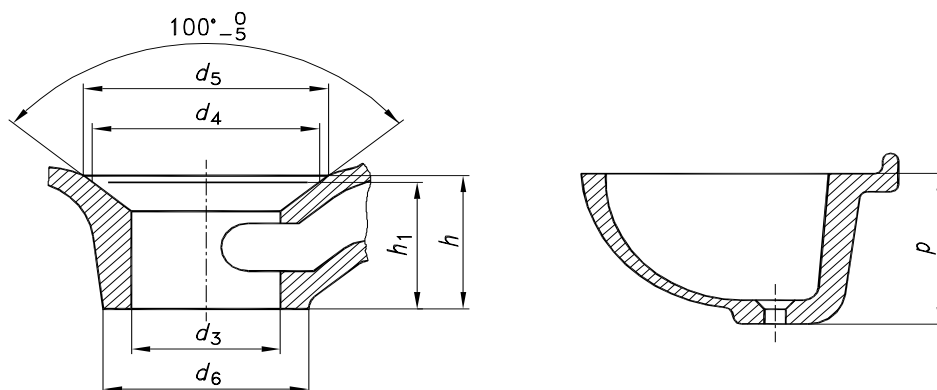


Figure 3 — Waste outlet hole with overflow

3.2 Waste outlet hole without overflow

The connecting dimensions of a waste outlet hole without overflow shall comply with the dimensions given in Table 4.

Table 4 — Connecting dimensions of a waste outlet hole without overflow (see Figure 4)

Designation	Symbol	Dimensions mm
Bore of the waste outlet hole	d_3	46^{+2}_{-3}
Reference diameter	d_4	63
Diameter of the waste outlet hole	d_5	≤ 75
Distance for appliance without overflow	h	20^{+5}_0
Distance between the reference diameter d_4 and the base for the seal	h_1	20^0_{-5}
Sealing surface for the waste fitting	s	≥ 3

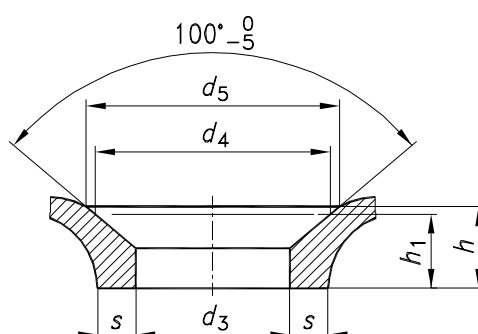


Figure 4 — Waste outlet hole without overflow

BSI — British Standards Institution

BSI is the independent national body responsible for preparing British Standards. It presents the UK view on standards in Europe and at the international level. It is incorporated by Royal Charter.

Revisions

British Standards are updated by amendment or revision. Users of British Standards should make sure that they possess the latest amendments or editions.

It is the constant aim of BSI to improve the quality of our products and services. We would be grateful if anyone finding an inaccuracy or ambiguity while using this British Standard would inform the Secretary of the technical committee responsible, the identity of which can be found on the inside front cover.
Tel: +44 (0)20 8996 9000. Fax: +44 (0)20 8996 7400.

BSI offers members an individual updating service called PLUS which ensures that subscribers automatically receive the latest editions of standards.

Buying standards

Orders for all BSI, international and foreign standards publications should be addressed to Customer Services. Tel: +44 (0)20 8996 9001.
Fax: +44 (0)20 8996 7001. Email: orders@bsi-global.com. Standards are also available from the BSI website at <http://www.bsi-global.com>.

In response to orders for international standards, it is BSI policy to supply the BSI implementation of those that have been published as British Standards, unless otherwise requested.

Information on standards

BSI provides a wide range of information on national, European and international standards through its Library and its Technical Help to Exporters Service. Various BSI electronic information services are also available which give details on all its products and services. Contact the Information Centre.
Tel: +44 (0)20 8996 7111. Fax: +44 (0)20 8996 7048. Email: info@bsi-global.com.

Subscribing members of BSI are kept up to date with standards developments and receive substantial discounts on the purchase price of standards. For details of these and other benefits contact Membership Administration.
Tel: +44 (0)20 8996 7002. Fax: +44 (0)20 8996 7001.
Email: membership@bsi-global.com.

Information regarding online access to British Standards via British Standards Online can be found at <http://www.bsi-global.com/bsonline>.

Further information about BSI is available on the BSI website at <http://www.bsi-global.com>.

Copyright

Copyright subsists in all BSI publications. BSI also holds the copyright, in the UK, of the publications of the international standardization bodies. Except as permitted under the Copyright, Designs and Patents Act 1988 no extract may be reproduced, stored in a retrieval system or transmitted in any form or by any means – electronic, photocopying, recording or otherwise – without prior written permission from BSI.

This does not preclude the free use, in the course of implementing the standard, of necessary details such as symbols, and size, type or grade designations. If these details are to be used for any other purpose than implementation then the prior written permission of BSI must be obtained.

Details and advice can be obtained from the Copyright & Licensing Manager.
Tel: +44 (0)20 8996 7070. Fax: +44 (0)20 8996 7553.
Email: copyright@bsi-global.com.