

Wall-hung urinals — Connecting dimensions

The European Standard EN 80:2001 has the status of a British Standard

ICS 91.140.70

National foreword

This British Standard is the official English language version of EN 80:2001. The UK participation in its preparation was entrusted to Technical Committee B/503, Sanitary appliances, which has the responsibility to:

- aid enquirers to understand the text;
- present to the responsible European committee any enquiries on the interpretation, or proposals for change, and keep the UK interests informed;
- monitor related international and European developments and promulgate them in the UK.

A list of organizations represented on this committee can be obtained on request to its secretary.

Cross-references

The British Standards which implement international or European publications referred to in this document may be found in the BSI Standards Catalogue under the section entitled “International Standards Correspondence Index”, or by using the “Find” facility of the BSI Standards Electronic Catalogue.

A British Standard does not purport to include all the necessary provisions of a contract. Users of British Standards are responsible for their correct application.

Compliance with a British Standard does not of itself confer immunity from legal obligations.

This British Standard, having been prepared under the direction of the Sector Committee for Building and Civil Engineering, was published under the authority of the Standards Committee and comes into effect on 15 September 2001

Summary of pages

This document comprises a front cover, an inside front cover, the EN title page, pages 2 to 4, an inside back cover and a back cover.

The BSI copyright date displayed in this document indicates when the document was last issued.

Amendments issued since publication

Amd. No.	Date	Comments

English version

Wall-hung urinals - Connecting dimensions

Urinoirs muraux - Cotes de raccordement

Wandhängende Urinale - Anschlußmaße

This European Standard was approved by CEN on 4 June 2001.

CEN members are bound to comply with the CEN/CENELEC Internal Regulations which stipulate the conditions for giving this European Standard the status of a national standard without any alteration. Up-to-date lists and bibliographical references concerning such national standards may be obtained on application to the Management Centre or to any CEN member.

This European Standard exists in three official versions (English, French, German). A version in any other language made by translation under the responsibility of a CEN member into its own language and notified to the Management Centre has the same status as the official versions.

CEN members are the national standards bodies of Austria, Belgium, Czech Republic, Denmark, Finland, France, Germany, Greece, Iceland, Ireland, Italy, Luxembourg, Netherlands, Norway, Portugal, Spain, Sweden, Switzerland and United Kingdom.



EUROPEAN COMMITTEE FOR STANDARDIZATION
COMITÉ EUROPÉEN DE NORMALISATION
EUROPÄISCHES KOMITEE FÜR NORMUNG

Management Centre: rue de Stassart, 36 B-1050 Brussels

Contents

	page
Foreword.....	3
1 Scope.....	3
2 Connecting dimensions	3

Foreword

This European Standard has been prepared by Technical Committee CEN/TC 163 "Sanitary appliances", the secretariat of which is held by UNI.

This European Standard shall be given the status of a national standard, either by publication of an identical text or by endorsement, at the latest by January 2002, and conflicting national standards shall be withdrawn at the latest by January 2002.

This European Standard replaces EN 80:1978.

This revised version considers new market trends and compared to the version of June 1978 includes the following amendments: Different situations of inlet and outlet are given. The dimensions G is added.

According to the CEN/CENELEC Internal Regulations, the national standards organizations of the following countries are bound to implement this European Standard: Austria, Belgium, Czech Republic, Denmark, Finland, France, Germany, Greece, Iceland, Ireland, Italy, Luxembourg, Netherlands, Norway, Portugal, Spain, Sweden, Switzerland and the United Kingdom.

1 Scope

This standard specifies the connecting dimensions of wall-hung urinals of the socket inlet and spigot outlet types, regardless of the materials used for their manufacture.

NOTE Only the dimensions are compulsory. The shape of the appliance in the figures is for illustration only; it in no way prejudices the final shape of the appliance which is left to the initiative of the manufacturer.

2 Connecting dimensions

The connecting dimensions of wall-hung urinals shall comply with the dimensions given in Table 1.

Table 1 - Connecting dimensions of wall-hung urinals (see Figures 1 to 4)

Designation		Dimensions mm
Distance between the centre line of the inlet and the back wall of the urinal	<i>A</i>	50 ± 5
Depth of the internal cylindrical part in front of the shoulder	<i>B</i>	≥ 20
Distance between the centre of the waste outlet hole and the back wall of the urinal	<i>C</i>	65 ± 5
		145 ± 5
Internal diameter of the inlet	<i>d</i>	35 ± 2
External diameter of the outlet	<i>D</i>	50 ± 2
External cylindrical part of the outlet without grooves	<i>E</i>	≥ 30
Diameter of the plane circular surface around the inlet	<i>F</i>	≥ 50
Distance to the vertical plane of outlet from the backwall of urinal	<i>G</i>	15 ± 10
		≥ 42

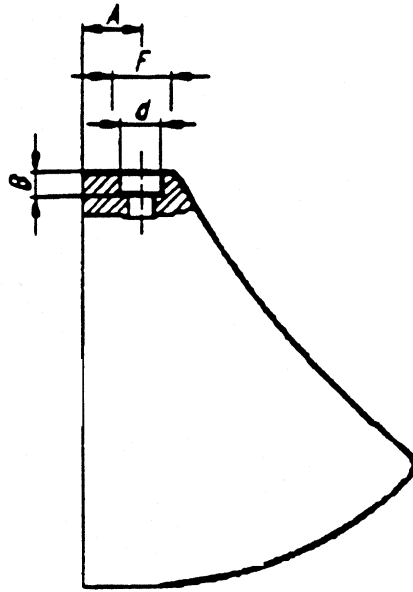


Figure 1 - Wall-hung urinal with inlet from above

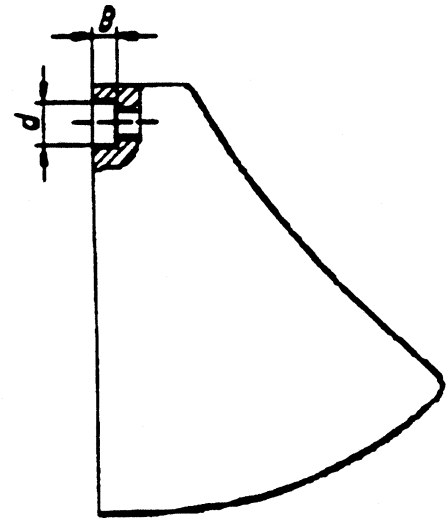


Figure 2 - Wall-hung urinal with back inlet

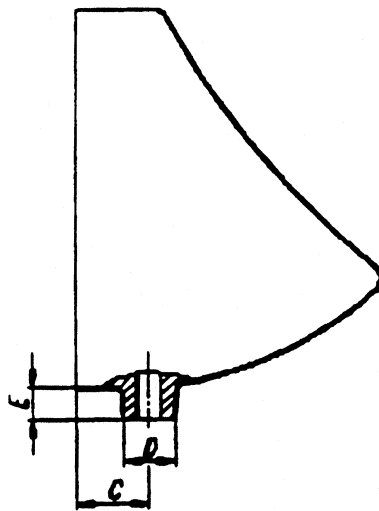


Figure 3 - Wall-hung urinal with vertical outlet

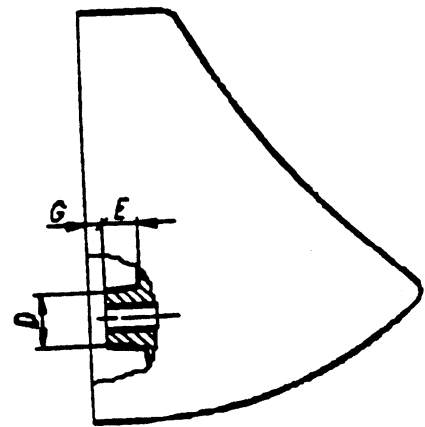


Figure 4 - Wall-hung urinal with horizontal outlet

BSI — British Standards Institution

BSI is the independent national body responsible for preparing British Standards. It presents the UK view on standards in Europe and at the international level. It is incorporated by Royal Charter.

Revisions

British Standards are updated by amendment or revision. Users of British Standards should make sure that they possess the latest amendments or editions.

It is the constant aim of BSI to improve the quality of our products and services. We would be grateful if anyone finding an inaccuracy or ambiguity while using this British Standard would inform the Secretary of the technical committee responsible, the identity of which can be found on the inside front cover. Tel: 020 8996 9000. Fax: 020 8996 7400.

BSI offers members an individual updating service called PLUS which ensures that subscribers automatically receive the latest editions of standards.

Buying standards

Orders for all BSI, international and foreign standards publications should be addressed to Customer Services. Tel: 020 8996 9001. Fax: 020 8996 7001. Standards are also available from the BSI website at <http://www.bsi-global.com>.

In response to orders for international standards, it is BSI policy to supply the BSI implementation of those that have been published as British Standards, unless otherwise requested.

Information on standards

BSI provides a wide range of information on national, European and international standards through its Library and its Technical Help to Exporters Service. Various BSI electronic information services are also available which give details on all its products and services. Contact the Information Centre. Tel: 020 8996 7111. Fax: 020 8996 7048.

Subscribing members of BSI are kept up to date with standards developments and receive substantial discounts on the purchase price of standards. For details of these and other benefits contact Membership Administration. Tel: 020 8996 7002. Fax: 020 8996 7001. Further information about BSI is available on the BSI website at <http://www.bsi-global.com>.

Copyright

Copyright subsists in all BSI publications. BSI also holds the copyright, in the UK, of the publications of the international standardization bodies. Except as permitted under the Copyright, Designs and Patents Act 1988 no extract may be reproduced, stored in a retrieval system or transmitted in any form or by any means – electronic, photocopying, recording or otherwise – without prior written permission from BSI.

This does not preclude the free use, in the course of implementing the standard, of necessary details such as symbols, and size, type or grade designations. If these details are to be used for any other purpose than implementation then the prior written permission of BSI must be obtained.

If permission is granted, the terms may include royalty payments or a licensing agreement. Details and advice can be obtained from the Copyright Manager. Tel: 020 8996 7070.