

# Pedestal W.C. pans with independent water supply — Connecting dimensions

The European Standard EN 37:1998 has the status of a  
British Standard

ICS 91.140.70

## National foreword

This British Standard is the English language version of EN 37:1998. Together with BS EN 33:1999 supersedes BS 5503-1:1977 which is withdrawn.

The UK participation in its preparation was entrusted to Technical Committee B/503, Sanitary appliances, which has the responsibility to:

- aid enquirers to understand the text;
- present to the responsible European committee any enquiries on the interpretation, or proposals for change, and keep the UK interests informed;
- monitor related international and European developments and promulgate them in the UK.

A list of organizations represented on this committee can be obtained on request to its secretary.

### Cross-references

The British Standards which implement international or European publications referred to in this document may be found in the BSI Standards Catalogue under the section entitled "International Standards Correspondence Index", or by using the "Find" facility of the BSI Standards Electronic Catalogue.

A British Standard does not purport to include all the necessary provisions of a contract. Users of British Standards are responsible for their correct application.

**Compliance with a British Standard does not of itself confer immunity from legal obligations.**

### Summary of pages

This document comprises a front cover, an inside front cover, the EN title page, pages 2 to 5 and a back cover.

### Amendments issued since publication

Amd. No.	Date	Text affected

This British Standard, having been prepared under the direction of the Sector Committee for Building and Civil Engineering, was published under the authority of the Standards Committee and comes into effect on 15 April 1999

© BSI 04-1999

ISBN 0 580 30905 3

ICS 91.140.70

Supersedes EN 37:1979

Descriptors: sanitary appliances, W.C. pans, suspended elements, dimensions, connecting dimensions

English version

## Pedestal W.C. pans with independent water supply — Connecting dimensions

Cuvettes de W.-C. sur pied à chasse directe et  
alimentation indépendante — Cotes de  
raccordement

Bodenstehende Klosettbecken mit freiem Zulauf —  
Anschlußmaße

This European Standard was approved by CEN on 12 November 1998.

CEN members are bound to comply with the CEN/CENELEC Internal Regulations which stipulate the conditions for giving this European Standard the status of a national standard without any alteration. Up-to-date lists and bibliographical references concerning such national standards may be obtained on application to the Central Secretariat or to any CEN member.

This European Standard exists in three official versions (English, French, German). A version in any other language made by translation under the responsibility of a CEN member into its own language and notified to the Central Secretariat has the same status as the official versions.

CEN members are the national standards bodies of Austria, Belgium, Czech Republic, Denmark, Finland, France, Germany, Greece, Iceland, Ireland, Italy, Luxembourg, Netherlands, Norway, Portugal, Spain, Sweden, Switzerland and United Kingdom.

**CEN**

European Committee for Standardization  
Comité Européen de Normalisation  
Europäisches Komitee für Normung

**Central Secretariat: rue de Stassart 36, B-1050 Brussels**

## Foreword

This European Standard has been prepared by Technical Committee CEN/TC 163, Sanitary appliances, the Secretariat of which is held by UNI.

This European Standard replaces EN 37:1979.

This European Standard shall be given the status of a national standard, either by publication of an identical text or by endorsement, at the latest by May 1999, and conflicting national standards shall be withdrawn at the latest by May 1999.

This revised version considers new market trends and compared with the version of June 1989 includes the following amendments: cancellation of W.C. pan with exposed S-trap and W.C. pan with concealed S-trap with extended spigot and also the external inlet of the W.C. pans. Inclusion of W.C. pan with concealed horizontal outlet and revision of the connecting dimensions.

According to the CEN/CENELEC Internal Regulations, the national standards organizations of the following countries are bound to implement this European Standard: Austria, Belgium, Czech Republic, Denmark, Finland, France, Germany, Greece, Iceland, Ireland, Italy, Luxembourg, Netherlands, Norway, Portugal, Spain, Sweden, Switzerland and the United Kingdom.

## Contents

	Page
Foreword	2
1 Scope	3
2 Connecting dimensions	3
2.1 Inlets of pedestal W.C. pans	3
2.2 Outlets of pedestal W.C. pans	3
3 Fixing dimensions for the seat	3

## 1 Scope

This standard specifies the connecting dimensions of pedestal W.C. pans with independent water supply having an exposed outlet on the horizontal or vertical axis or a concealed outlet, regardless of the materials used for their manufacture.

This standard does not apply to siphonic action W.C. pans.

NOTE Only the dimensions are compulsory. The shape of the appliance in the figures is for illustration only; it in no way prejudices the final shape of the appliance which is left to the initiative of the manufacturer.

## 2 Connecting dimensions

### 2.1 Inlets of pedestal W.C. pans

The connecting dimensions of inlets of pedestal W.C. pans shall comply with the dimensions given in Table 1.

### 2.2 Outlets of pedestal W.C. pans

The connecting dimensions of outlets of pedestal W.C. pans shall comply with the dimensions given in Tables 2 to 5.

## 3 Fixing dimensions for the seat

The fixing dimensions for the seat shall comply with the dimensions given in Table 6.

Table 1 — Connecting dimensions of inlets of pedestal W.C. pans

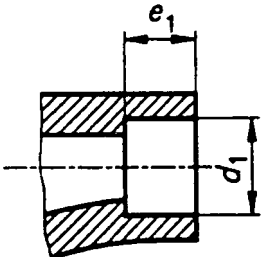
Designation	Symbol	Dimensions mm	
	Internal diameter of inlet	$d_1$	$55^{+3}_{-1}$
	Depth of the internal cylindrical part in front of the shoulder	$e_1$	$\geq 25$
Distance from the centre line of the inlet to the base of the appliance	$h$	$345^{+15}_{-25}$	

Table 2 — Basic connecting dimensions [see Figure 1a), 1b), 2a), 2b), 3a) and 3b)]

Designation	Symbol	Dimensions mm
External diameter of the outlet	$d_5$	$102 \pm 5$
External cylindrical part of the outlet without grooves	$i$	$\geq 40$
Diameter of the free space around the outlet	$k$	$\geq 150$

Table 3 — W.C. pans with horizontal outlet [see Figures 1a), and 1b)]

Designation	Symbol	Dimensions mm
Distance between the vertical planes of outlet and inlet	$q$	$40 \pm 20$
	$q_1$	$20 \pm 20$
Distance between the centre line of the outlet and the base of the appliance	$t$	$180^{+15}_{-10}$

Table 4 — W.C. pans with concealed vertical outlet [see Figures 2a), and 2b)]

Designation	Symbol	Dimensions mm
Distance from the plane of the outlet to the base of the appliance	$f_2$	$\geq 10$
Distance between the centre line of the outlet and the vertical plane of the inlet	$q_2$	$20 \pm 20$
	$q_3$	$30 \pm 30$

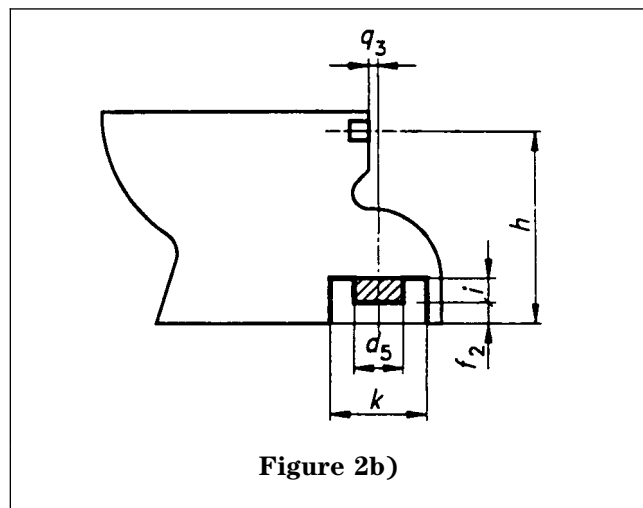
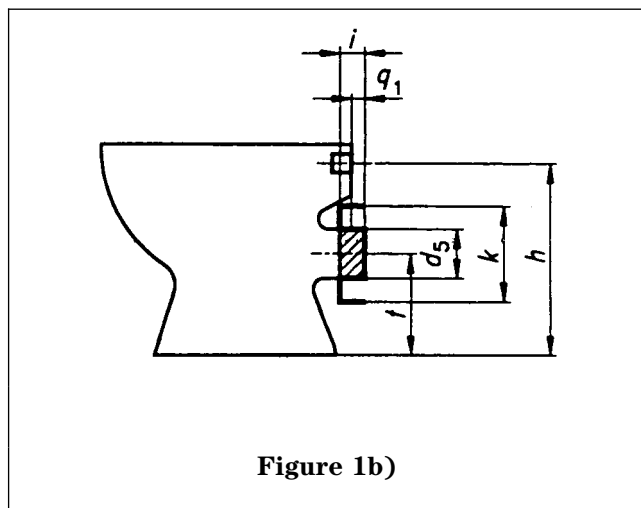
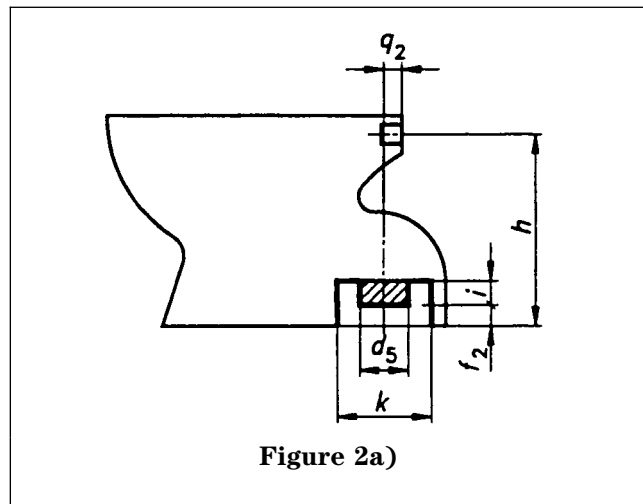
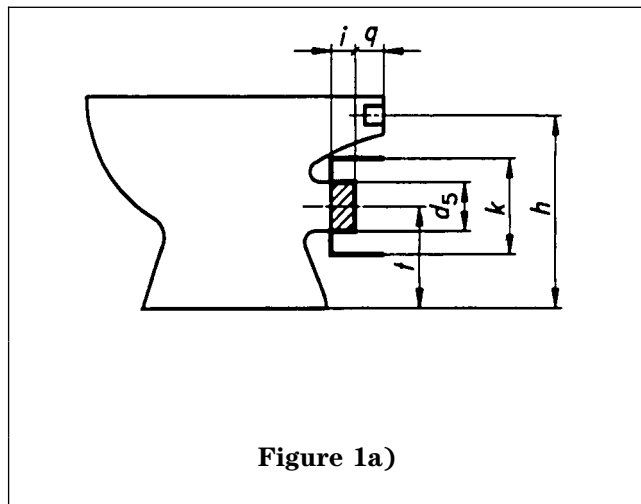
Table 5 — W.C. pans with concealed horizontal outlet [see Figures 3a), and 3b)]

Designation	Symbol	Dimensions mm
Distance from the vertical plane of the inlet to the backwall of the appliance	$f_3$	$\geq 15$
	$f_4$	$\leq 45$
Distance between the vertical plane of the outlet and the backwall of the appliance	$q_4$	$120 \pm 25$ or $15 \pm 15$
	$q_5$	$\leq 100$
Distance between the centre line of the outlet and the base of appliance	$t$	$180^{+15}_{-10}$

Table 6 — Fixing dimensions for the seat (see Figure 4)

Designation	Symbol	Dimensions mm
Diameter of holes	$d_6^{1)}$	$15 \pm 2$
Distance between the centres of holes	$m^{1)}$	$155 \pm 10$

<sup>1)</sup> Other dimensions are permissible provided the seat is supplied with the W.C. pan.



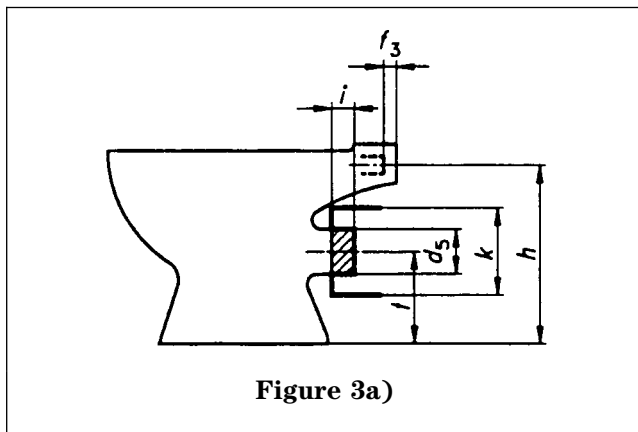


Figure 3a)

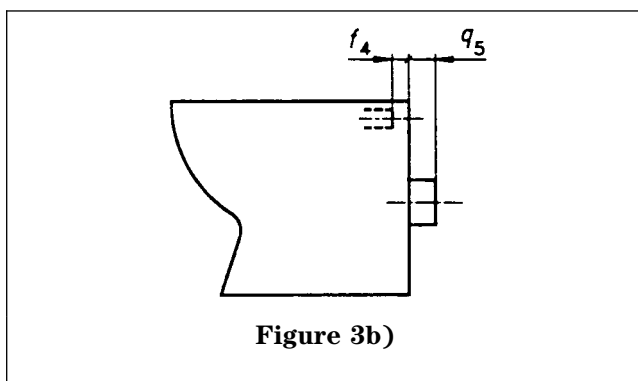


Figure 3b)

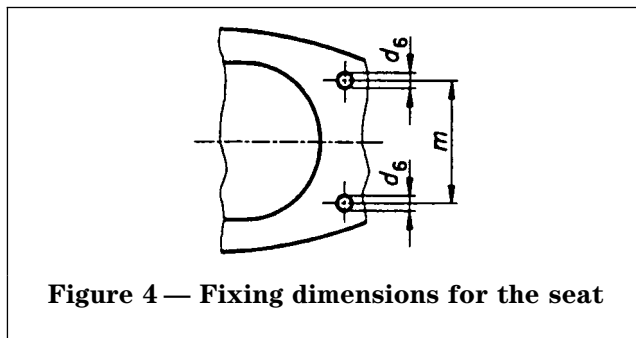


Figure 4 — Fixing dimensions for the seat

---

# BSI — British Standards Institution

BSI is the independent national body responsible for preparing British Standards. It presents the UK view on standards in Europe and at the international level. It is incorporated by Royal Charter.

## Revisions

British Standards are updated by amendment or revision. Users of British Standards should make sure that they possess the latest amendments or editions.

It is the constant aim of BSI to improve the quality of our products and services. We would be grateful if anyone finding an inaccuracy or ambiguity while using this British Standard would inform the Secretary of the technical committee responsible, the identity of which can be found on the inside front cover. Tel: 020 8996 9000. Fax: 020 8996 7400.

BSI offers members an individual updating service called PLUS which ensures that subscribers automatically receive the latest editions of standards.

## Buying standards

Orders for all BSI, international and foreign standards publications should be addressed to Customer Services. Tel: 020 8996 9001. Fax: 020 8996 7001.

In response to orders for international standards, it is BSI policy to supply the BSI implementation of those that have been published as British Standards, unless otherwise requested.

## Information on standards

BSI provides a wide range of information on national, European and international standards through its Library and its Technical Help to Exporters Service. Various BSI electronic information services are also available which give details on all its products and services. Contact the Information Centre. Tel: 020 8996 7111. Fax: 020 8996 7048.

Subscribing members of BSI are kept up to date with standards developments and receive substantial discounts on the purchase price of standards. For details of these and other benefits contact Membership Administration. Tel: 020 8996 7002. Fax: 020 8996 7001.

## Copyright

Copyright subsists in all BSI publications. BSI also holds the copyright, in the UK, of the publications of the international standardization bodies. Except as permitted under the Copyright, Designs and Patents Act 1988 no extract may be reproduced, stored in a retrieval system or transmitted in any form or by any means – electronic, photocopying, recording or otherwise – without prior written permission from BSI.

This does not preclude the free use, in the course of implementing the standard, of necessary details such as symbols, and size, type or grade designations. If these details are to be used for any other purpose than implementation then the prior written permission of BSI must be obtained.

If permission is granted, the terms may include royalty payments or a licensing agreement. Details and advice can be obtained from the Copyright Manager. Tel: 020 8996 7070.