

BS EN 35:2014



BSI Standards Publication

Pedestal and wall-hung bidets with over-rim supply — Connecting dimensions

bsi.

...making excellence a habit.™

National foreword

This British Standard is the UK implementation of EN 35:2014. It supersedes BS EN 35:2000 and BS EN 36:1999 which are withdrawn.

The UK participation in its preparation was entrusted to Technical Committee B/503, Sanitary appliances.

A list of organizations represented on this committee can be obtained on request to its secretary.

This publication does not purport to include all the necessary provisions of a contract. Users are responsible for its correct application.

© The British Standards Institution 2014. Published by BSI Standards Limited 2014

ISBN 978 0 580 79613 5

ICS 91.140.70

Compliance with a British Standard cannot confer immunity from legal obligations.

This British Standard was published under the authority of the Standards Policy and Strategy Committee on 31 May 2014.

Amendments issued since publication

Date	Text affected
------	---------------

English Version

Pedestal and wall-hung bidets with over-rim supply - Connecting dimensions

Bidets sur pied et bidets suspendus à alimentation par surverse - Cotes de raccordement

Bodenstehende und wandhängende Sitzwaschbecken mit Zulauf von oben - Anschlussmaße

This European Standard was approved by CEN on 10 April 2014.

CEN members are bound to comply with the CEN/CENELEC Internal Regulations which stipulate the conditions for giving this European Standard the status of a national standard without any alteration. Up-to-date lists and bibliographical references concerning such national standards may be obtained on application to the CEN-CENELEC Management Centre or to any CEN member.

This European Standard exists in three official versions (English, French, German). A version in any other language made by translation under the responsibility of a CEN member into its own language and notified to the CEN-CENELEC Management Centre has the same status as the official versions.

CEN members are the national standards bodies of Austria, Belgium, Bulgaria, Croatia, Cyprus, Czech Republic, Denmark, Estonia, Finland, Former Yugoslav Republic of Macedonia, France, Germany, Greece, Hungary, Iceland, Ireland, Italy, Latvia, Lithuania, Luxembourg, Malta, Netherlands, Norway, Poland, Portugal, Romania, Slovakia, Slovenia, Spain, Sweden, Switzerland, Turkey and United Kingdom.



EUROPEAN COMMITTEE FOR STANDARDIZATION
COMITÉ EUROPÉEN DE NORMALISATION
EUROPÄISCHES KOMITEE FÜR NORMUNG

CEN-CENELEC Management Centre: Avenue Marnix 17, B-1000 Brussels

Contents		Page
Foreword.....		3
1	Scope	4
2	Normative references	4
3	Tap holes	4
3.1	General.....	4
3.2	Connecting dimensions of bidets with one central tap hole	4
3.3	Connecting dimensions of bidets with three tap holes	6
4	Waste outlet holes	7
4.1	Connecting dimensions of waste outlet hole with integral overflow	7
4.2	Connecting dimensions of waste outlet hole without integral overflow	8
4.3	Waste outlet arrangements for pedestal bidets	9
5	Fixing dimensions of wall-hung bidets	9
Annex A (informative) Example of a gauge for measuring the connecting dimensions of waste outlet hole.....		11

Foreword

This document (EN 35:2014) has been prepared by Technical Committee CEN/TC 163 "Sanitary appliances", the secretariat of which is held by UNI.

This European Standard shall be given the status of a national standard, either by publication of an identical text or by endorsement, at the latest by November 2014 and conflicting national standards shall be withdrawn at the latest by November 2014.

Attention is drawn to the possibility that some of the elements of this document may be the subject of patent rights. CEN [and/or CENELEC] shall not be held responsible for identifying any or all such patent rights..

This document supersedes EN 35:2000, EN 36:1998.

This document differs from EN 35:2000 and EN 36:1998 as follows:

- a) these two European Standards covering connecting dimensions for various types of bidets have been combined in one European Standard;
- b) part of connecting dimensions have been modified taking into account current model developments;
- c) part of designations have been clarified to improve readability of standard and to dissolve double designations.

This document combines connecting dimensions standards for different types of bidets. It introduces modifications on dimensions and new designations to improve the readability and dissolve double designations.

According to the CEN-CENELEC Internal Regulations, the national standards organizations of the following countries are bound to implement this European Standard: Austria, Belgium, Bulgaria, Croatia, Cyprus, Czech Republic, Denmark, Estonia, Finland, Former Yugoslav Republic of Macedonia, France, Germany, Greece, Hungary, Iceland, Ireland, Italy, Latvia, Lithuania, Luxembourg, Malta, Netherlands, Norway, Poland, Portugal, Romania, Slovakia, Slovenia, Spain, Sweden, Switzerland, Turkey and the United Kingdom.

1 Scope

This European Standard specifies the connecting dimensions of pedestal and wall-hung bidets with over-rim supply (further on: bidets) in accordance with EN 14528 regardless of materials used for their manufacture.

NOTE 1 Other connecting dimensions are permitted, e. g. special designs of bidets, if the manufacturer supplies or recommends the appropriate fitting.

NOTE 2 The shape of the appliance in the figures is for illustration only; it in no way prejudices the final shape of the appliance, which is left to the initiative of the manufacturer.

2 Normative references

The following documents, in whole or in part, are normatively referenced in this document and are indispensable for its application. For dated references, only the edition cited applies. For undated references, the latest edition of the referenced document (including any amendments) applies.

EN 14528, *Bidets - Functional requirements and test methods*

3 Tap holes

3.1 General

The connecting dimensions for tap holes are requirements for bidets where it is intended to fit a tap.

3.2 Connecting dimensions of bidets with one central tap hole

The connecting dimensions of bidets with one central tap hole shall comply with Table 1.

Table 1 — Connecting dimensions of bidets with one central tap hole (Figure 1)

Designation	Symbol	Dimensions mm
Diameter of the tap hole (intended to accommodate a mixer tap)	d_2^a	35^{+2}_{-1}
Horizontal distance between the centre line of the central tap hole and the edge of the bowl	g_1	≤ 80
Distance from the centre line of the central tap hole to the back wall	g_3	≥ 55
Radius of a cylinder having the same centre line as the central tap hole at a depth 0 mm to 5 mm from the lower plane of the central tap hole	r_1	≥ 25
Radius of a cylinder having the same centre line as the central tap hole at a depth of minimum 5 mm from the lower plane of the central tap hole	r_2	≥ 30
Radius of a flat plane circular surface on the tap platform having the same centre as the central tap hole and intended to accommodate the tap	r_3	≥ 32
Thickness of the platform at the level of the zone concentric to the central tap hole	s	≤ 18
Horizontal distance between the centre line of the central tap hole and the centre line of the waste outlet hole	t^b	≤ 170

a The diameter 30^{+2}_0 is permissible with $r_1 \geq 22$ and $r_2 \geq 25$.

b May not be applicable for bidets of class CL 00 in accordance with EN 14528.

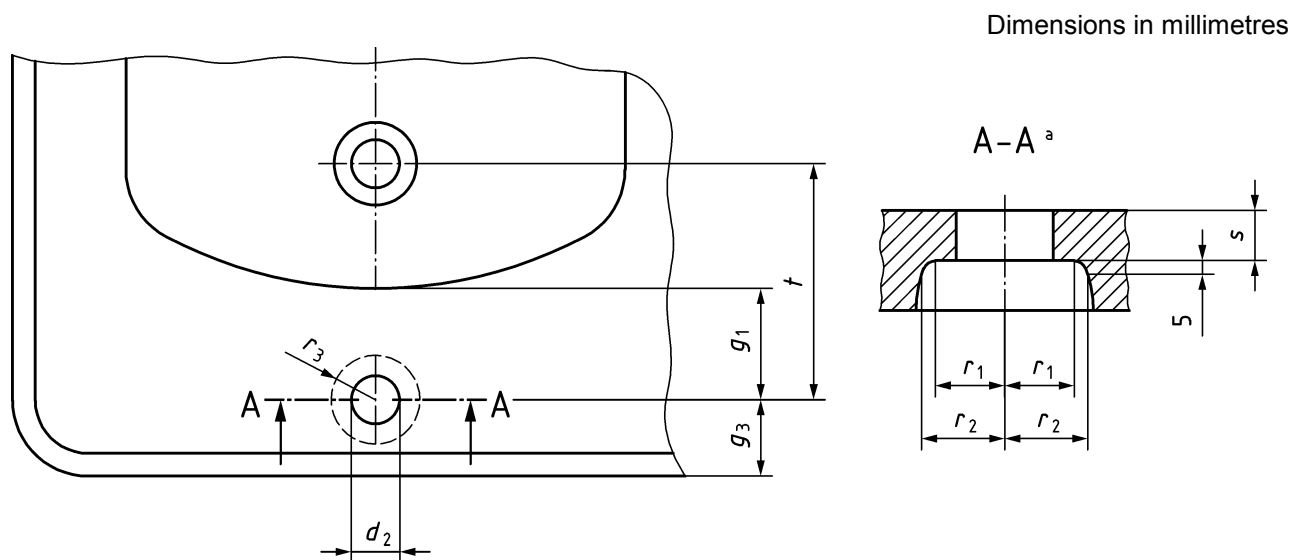


Figure 1 — Connecting dimensions of bidets with one central tap hole

3.3 Connecting dimensions of bidets with three tap holes

The connecting dimensions of bidets with three tap holes shall comply with Table 2.

Table 2 — Connecting dimensions of bidets with three tap holes (Figure 2)

Designation	Symbol	Dimensions mm
Diameter of outer tap holes	d_1	30^{+2}_0
Diameter of the central tap hole	d_2	35^{+2}_{-1}
Distance from the centre line of the central hole to the centre line of the two outer tap holes	e	0 to 15
Distance between the centre lines of the two outer tap holes	f	175 ± 15
Horizontal distance between the centre line of the central tap hole and the edge of the bowl	g_1	≤ 80
Distance from the centre line of the central tap hole to the back wall	g_3	≥ 55
Shortest horizontal distance between the centre lines of the outer tap holes and the edge of the bowl when only the two outer tap holes are used	g_4	≤ 65
Radius of a cylinder having the same centre line as the central tap hole at a depth 0 mm to 5 mm from the lower plane of the central tap hole	r_1	≥ 25
Radius of a cylinder having the same centre line as the central tap hole at a depth of minimum 5 mm from the lower plane of the central tap hole	r_2	≥ 30
Radius of a flat plane circular surface of the tap platform having the same centre as the central tap hole and intended to accommodate the tap	r_3	≥ 32
Radius of a flat plane circular surface of the tap platform having the same centre as the outer tap holes and intended to accommodate the side valves	r_4	≥ 30
Thickness of the platform at the level of the zone concentric to the tap holes	s	≤ 18
Horizontal distance between the centre line of the central tap hole and the centre line of the waste outlet hole	t^a	≤ 170
^a May not be applicable for bidets of class CL 00 in accordance with EN 14528.		

Dimensions in millimetres

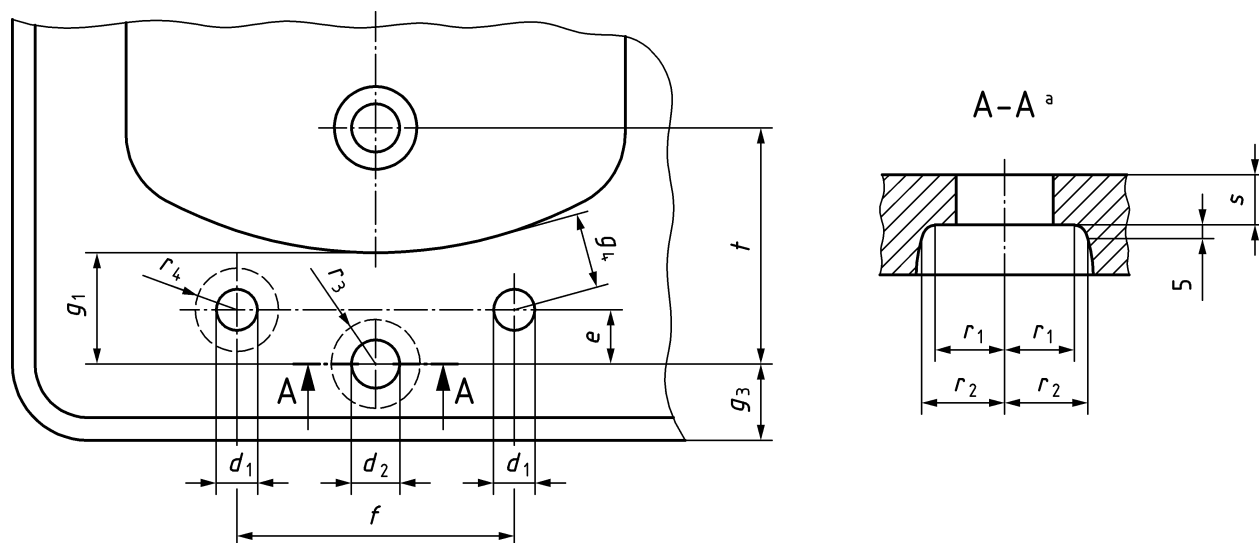


Figure 2 — Connecting dimensions of bidets with three tap holes

4 Waste outlet holes

4.1 Connecting dimensions of waste outlet hole with integral overflow

The connecting dimensions of the waste outlet hole with integral overflow shall comply with the dimensions given in Table 3.

Table 3 — Connecting dimensions of the waste outlet hole with integral overflow (Figure 3)

Designation	Symbol	Dimension mm
Bore of the waste outlet hole	d_3	46^{+2}_{-3}
Diameter of the base for the seal between the waste outlet hole and the waste fitting	d_4	≥ 60
Reference diameter to measure the height of the waste outlet hole (h_1)	d_5	63
Height of the waste outlet hole measured between the reference diameter d_5 and the base for the seal	h_1	45^{+0}_{-5}
Height measured between the reference diameter d_5 and the bottom of the bowl	h_2	≥ 2
Vertical distance between the tap platform and the base for the seal	p	≤ 250
Cone angle of the upper section of the waste outlet hole	α	$\leq 100^\circ$

NOTE To verify the connecting dimensions in accordance with Table 3, it is recommended to use a gauge in accordance with Annex A.

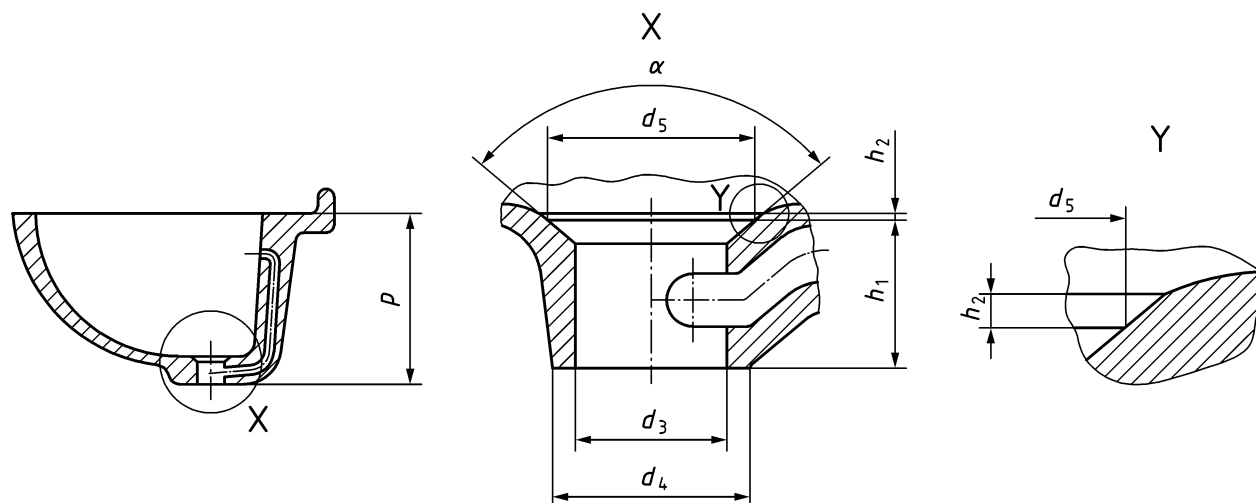


Figure 3 — Connecting dimensions of the waste outlet hole for bidets with integral overflow

4.2 Connecting dimensions of waste outlet hole without integral overflow

The connecting dimensions of the waste outlet hole without integral overflow shall comply with the dimensions given in Table 4.

Table 4 — Connecting dimensions of the waste outlet hole without integral overflow (Figure 4)

Designation	Symbol	Dimension mm
Bore of the waste outlet hole	d_3	46^{+2}_{-3}
Diameter of the base for the seal between the waste outlet hole and the waste fitting	d_4	≥ 60
Reference diameter to measure the height of the waste outlet hole (h_3)	d_5	63
Height measured between the reference diameter d_5 and the bottom of the bowl	h_2	≥ 2
Height of the waste outlet hole measured between the reference diameter d_5 and the base for the seal	h_3^a	20^{0}_{-5}
Cone angle of the upper section of the waste outlet hole	α	$\leq 100^\circ$
NOTE To verify the connecting dimensions in accordance with Table 4, it is recommended to use a gauge in accordance with Annex A.		
a The height $h_3 = 45^{0}_{-5}$ is permissible.		

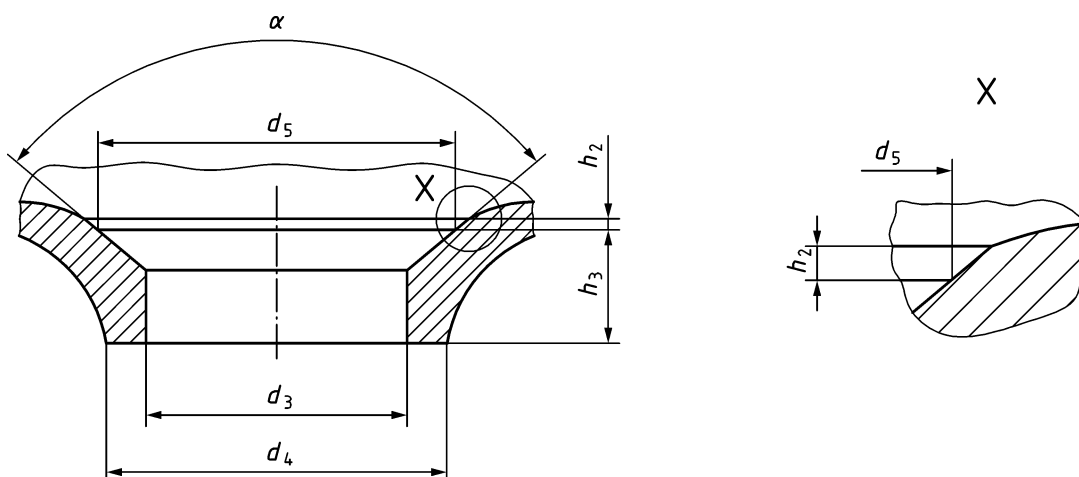


Figure 4 — Connecting dimensions of the waste outlet hole for bidets without integral overflow

4.3 Waste outlet arrangements for pedestal bidets

The distance m from the lower edge of waste outlet hole to the base of the appliance shall be ≥ 180 mm (see Figure 5).

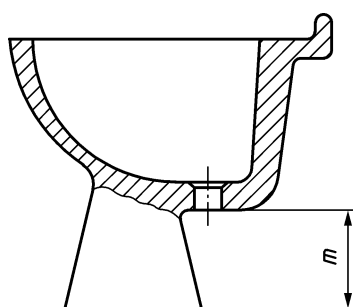


Figure 5 — Waste outlet arrangement for pedestal bidets

5 Fixing dimensions of wall-hung bidets

The fixing dimensions of wall-hung bidets shall comply with the dimensions given in Table 5.

Table 5 — Fixing dimensions of wall-hung bidets (Figure 6)

Designation	Symbol	Dimension mm
Horizontal distance between the centre lines of the two fixing holes	n	180 ± 5
		230 ± 5
Diameter of clear opening of fixing holes NOTE Other hole shapes are permissible.	d_6	25 ± 3
Thickness of appliance around the fixing holes	v	≤ 80
		$> 80^a$

^a > 80 is permissible provided that additional mounting parts are recommended or supplied by the manufacturer.

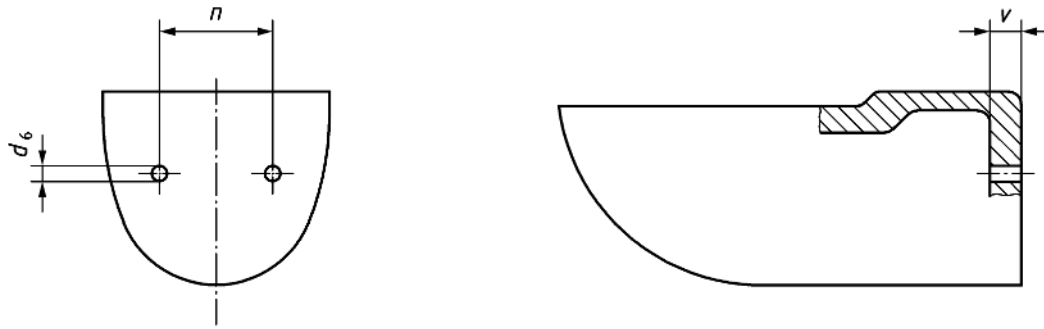


Figure 6 — Fixing dimensions of wall-hung bidets

Annex A
(informative)

Example of a gauge for measuring the connecting dimensions of waste outlet hole

Dimensions in millimetres

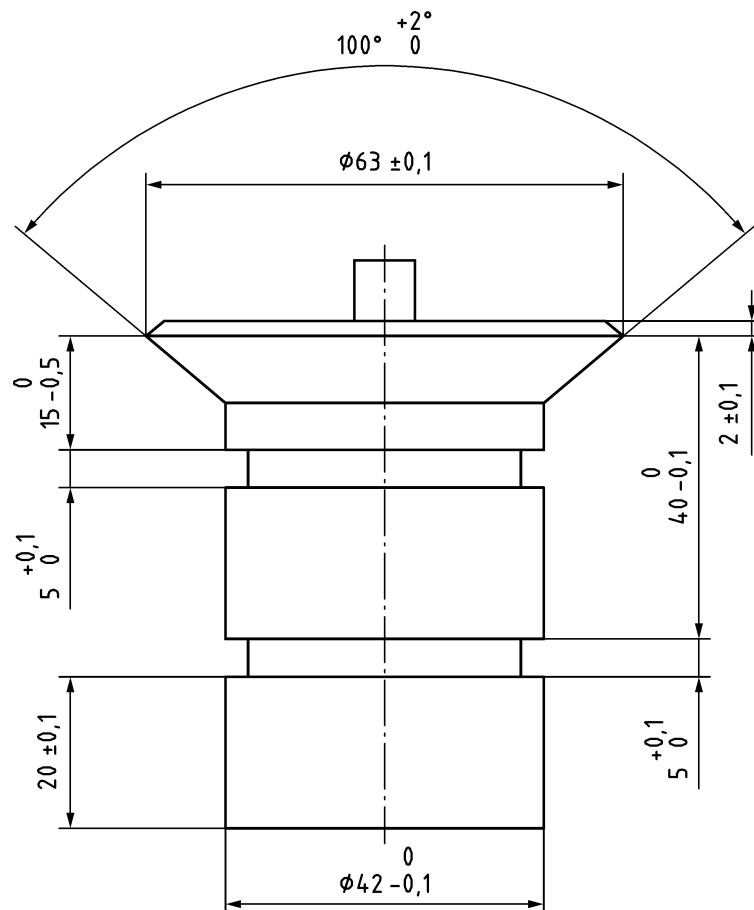


Figure A.1 — Example of a gauge to verify the connecting dimensions of waste outlet holes with or without integral overflow

British Standards Institution (BSI)

BSI is the national body responsible for preparing British Standards and other standards-related publications, information and services.

BSI is incorporated by Royal Charter. British Standards and other standardization products are published by BSI Standards Limited.

About us

We bring together business, industry, government, consumers, innovators and others to shape their combined experience and expertise into standards-based solutions.

The knowledge embodied in our standards has been carefully assembled in a dependable format and refined through our open consultation process. Organizations of all sizes and across all sectors choose standards to help them achieve their goals.

Information on standards

We can provide you with the knowledge that your organization needs to succeed. Find out more about British Standards by visiting our website at bsigroup.com/standards or contacting our Customer Services team or Knowledge Centre.

Buying standards

You can buy and download PDF versions of BSI publications, including British and adopted European and international standards, through our website at bsigroup.com/shop, where hard copies can also be purchased.

If you need international and foreign standards from other Standards Development Organizations, hard copies can be ordered from our Customer Services team.

Subscriptions

Our range of subscription services are designed to make using standards easier for you. For further information on our subscription products go to bsigroup.com/subscriptions.

With **British Standards Online (BSOL)** you'll have instant access to over 55,000 British and adopted European and international standards from your desktop. It's available 24/7 and is refreshed daily so you'll always be up to date.

You can keep in touch with standards developments and receive substantial discounts on the purchase price of standards, both in single copy and subscription format, by becoming a **BSI Subscribing Member**.

PLUS is an updating service exclusive to BSI Subscribing Members. You will automatically receive the latest hard copy of your standards when they're revised or replaced.

To find out more about becoming a BSI Subscribing Member and the benefits of membership, please visit bsigroup.com/shop.

With a **Multi-User Network Licence (MUNL)** you are able to host standards publications on your intranet. Licences can cover as few or as many users as you wish. With updates supplied as soon as they're available, you can be sure your documentation is current. For further information, email bsmusales@bsigroup.com.

BSI Group Headquarters

389 Chiswick High Road London W4 4AL UK

Revisions

Our British Standards and other publications are updated by amendment or revision.

We continually improve the quality of our products and services to benefit your business. If you find an inaccuracy or ambiguity within a British Standard or other BSI publication please inform the Knowledge Centre.

Copyright

All the data, software and documentation set out in all British Standards and other BSI publications are the property of and copyrighted by BSI, or some person or entity that owns copyright in the information used (such as the international standardization bodies) and has formally licensed such information to BSI for commercial publication and use. Except as permitted under the Copyright, Designs and Patents Act 1988 no extract may be reproduced, stored in a retrieval system or transmitted in any form or by any means – electronic, photocopying, recording or otherwise – without prior written permission from BSI. Details and advice can be obtained from the Copyright & Licensing Department.

Useful Contacts:

Customer Services

Tel: +44 845 086 9001

Email (orders): orders@bsigroup.com

Email (enquiries): cservices@bsigroup.com

Subscriptions

Tel: +44 845 086 9001

Email: subscriptions@bsigroup.com

Knowledge Centre

Tel: +44 20 8996 7004

Email: knowledgecentre@bsigroup.com

Copyright & Licensing

Tel: +44 20 8996 7070

Email: copyright@bsigroup.com



...making excellence a habit.™