

BS EN ISO 28723:2011



BSI Standards Publication

Vitreous and porcelain enamels — Determination of the edge covering on enamelled steel plate to be used in heat exchangers (ISO 28723:2008)

bsi.

...making excellence a habit.™

National foreword

This British Standard is the UK implementation of EN ISO 28723:2011. It is identical to ISO 28723:2008. It supersedes BS EN 14863:2005, which is withdrawn.

The UK participation in its preparation was entrusted to Technical Committee STI/36, Vitreous enamel coatings.

A list of organizations represented on this committee can be obtained on request to its secretary.

This publication does not purport to include all the necessary provisions of a contract. Users are responsible for its correct application.

© BSI 2011

ISBN 978 0 580 72285 1

ICS 25.220.50

Compliance with a British Standard cannot confer immunity from legal obligations.

This British Standard was published under the authority of the Standards Policy and Strategy Committee on 30 April 2011.

Amendments issued since publication

Date	Text affected
------	---------------

English Version

Vitreous and porcelain enamels - Determination of the edge
covering on enamelled steel plate to be used in heat exchangers
(ISO 28723:2008)

Émaux vitrifiés - Détermination du revêtement de l'arête sur
une plaque en acier émaillé destinée aux échangeurs de
chaleur (ISO 28723:2008)

Emails und Emailierungen - Bestimmung der
Kantenabdeckung von emailierten Stahlblechen für
Wärmeaustauscher (ISO 28723:2008)

This European Standard was approved by CEN on 3 March 2011.

CEN members are bound to comply with the CEN/CENELEC Internal Regulations which stipulate the conditions for giving this European Standard the status of a national standard without any alteration. Up-to-date lists and bibliographical references concerning such national standards may be obtained on application to the CEN-CENELEC Management Centre or to any CEN member.

This European Standard exists in three official versions (English, French, German). A version in any other language made by translation under the responsibility of a CEN member into its own language and notified to the CEN-CENELEC Management Centre has the same status as the official versions.

CEN members are the national standards bodies of Austria, Belgium, Bulgaria, Croatia, Cyprus, Czech Republic, Denmark, Estonia, Finland, France, Germany, Greece, Hungary, Iceland, Ireland, Italy, Latvia, Lithuania, Luxembourg, Malta, Netherlands, Norway, Poland, Portugal, Romania, Slovakia, Slovenia, Spain, Sweden, Switzerland and United Kingdom.



EUROPEAN COMMITTEE FOR STANDARDIZATION
COMITÉ EUROPÉEN DE NORMALISATION
EUROPÄISCHES KOMITEE FÜR NORMUNG

Management Centre: Avenue Marnix 17, B-1000 Brussels

Foreword

The text of ISO 28723:2008 has been prepared by Technical Committee ISO/TC 107 “Metallic and other inorganic coatings” of the International Organization for Standardization (ISO) and has been taken over as EN ISO 28723:2011 by Technical Committee CEN/TC 262 “Metallic and other inorganic coatings” the secretariat of which is held by BSI.

This European Standard shall be given the status of a national standard, either by publication of an identical text or by endorsement, at the latest by September 2011, and conflicting national standards shall be withdrawn at the latest by September 2011.

Attention is drawn to the possibility that some of the elements of this document may be the subject of patent rights. CEN [and/or CENELEC] shall not be held responsible for identifying any or all such patent rights.

This document supersedes EN 14863:2005.

According to the CEN/CENELEC Internal Regulations, the national standards organizations of the following countries are bound to implement this European Standard: Austria, Belgium, Bulgaria, Croatia, Cyprus, Czech Republic, Denmark, Estonia, Finland, France, Germany, Greece, Hungary, Iceland, Ireland, Italy, Latvia, Lithuania, Luxembourg, Malta, Netherlands, Norway, Poland, Portugal, Romania, Slovakia, Slovenia, Spain, Sweden, Switzerland and the United Kingdom.

Endorsement notice

The text of ISO 28723:2008 has been approved by CEN as a EN ISO 28723:2011 without any modification.

Contents

Page

Foreword	iv
1 Scope	1
2 Normative references	1
3 Principle.....	1
4 Reagents and materials	1
5 Apparatus	2
6 Test specimens.....	3
7 Procedure	4
8 Calculation and expression of results	4
9 Precision.....	5
10 Test report.....	5

Foreword

ISO (the International Organization for Standardization) is a worldwide federation of national standards bodies (ISO member bodies). The work of preparing International Standards is normally carried out through ISO technical committees. Each member body interested in a subject for which a technical committee has been established has the right to be represented on that committee. International organizations, governmental and non-governmental, in liaison with ISO, also take part in the work. ISO collaborates closely with the International Electrotechnical Commission (IEC) on all matters of electrotechnical standardization.

International Standards are drafted in accordance with the rules given in the ISO/IEC Directives, Part 2.

The main task of technical committees is to prepare International Standards. Draft International Standards adopted by the technical committees are circulated to the member bodies for voting. Publication as an International Standard requires approval by at least 75 % of the member bodies casting a vote.

Attention is drawn to the possibility that some of the elements of this document may be the subject of patent rights. ISO shall not be held responsible for identifying any or all such patent rights.

ISO 28723 was prepared by the European Committee for Standardization (CEN) (as EN 14863) and was adopted, under a special "fast-track procedure", by Technical Committee ISO/TC 107, *Metallic and other inorganic coatings*, in parallel with its approval by the ISO member bodies.

Vitreous and porcelain enamels — Determination of the edge covering on enamelled steel plate to be used in heat exchangers

1 Scope

This International Standard specifies a test method for the determination of the covering of the edge of enamelled steel plate to be used in heat exchangers. This method is applicable to all enamelling processes.

It is applicable to plates with a thickness between 0,5 mm and 1,5 mm.

This method is not applicable where the current flow generated in the test exceeds 3 A.

2 Normative references

The following referenced documents are indispensable for the application of this document. For dated references, only the edition cited applies. For undated references, the latest edition of the referenced document (including any amendments) applies.

ISO 3696, *Water for analytical laboratory use — Specification and test methods*

EN 10088-1, *Stainless steels — List of stainless steels*

3 Principle

The edge of an enamelled steel plate to be tested is submerged in an electrolyte. An alternating current source and a stabilized voltage are connected to the plate. The recorded current is a measure of the covering at the edge.

4 Reagents and materials

During the analysis, unless otherwise stated, use only reagents of recognized analytical grade and distilled or de-mineralized water or water of equivalent purity.

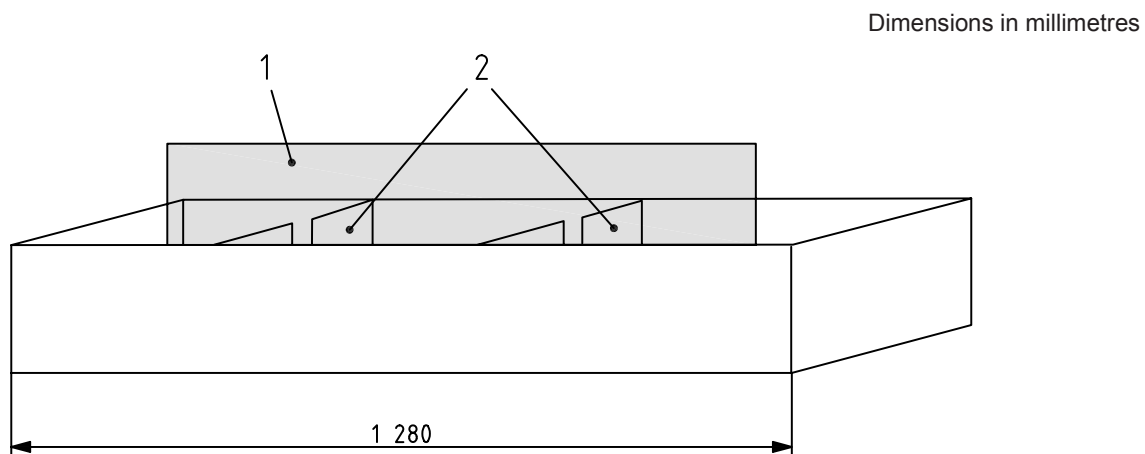
4.1 Pickling fluid, consisting of sulfuric acid (H_2SO_4) solution, $(7 \pm 0,5)$ % by mass, with an Fe^{2+} concentration of $(2 \pm 1,5)$ g/l, at a temperature of (60 ± 2) °C.

4.2 Test bath electrolyte, consisting of sodium chloride solution, 5 % NaCl by mass, made with distilled water conforming to grade 3 of ISO 3696, at a temperature of (22 ± 3) °C.

5 Apparatus

5.1 Test bath, consisting of a polypropylene container holding the electrolyte solution in which the electrodes and a test plate are placed. Polypropylene plates are used for centring and holding the test plate 10 mm from the bottom of the bath.

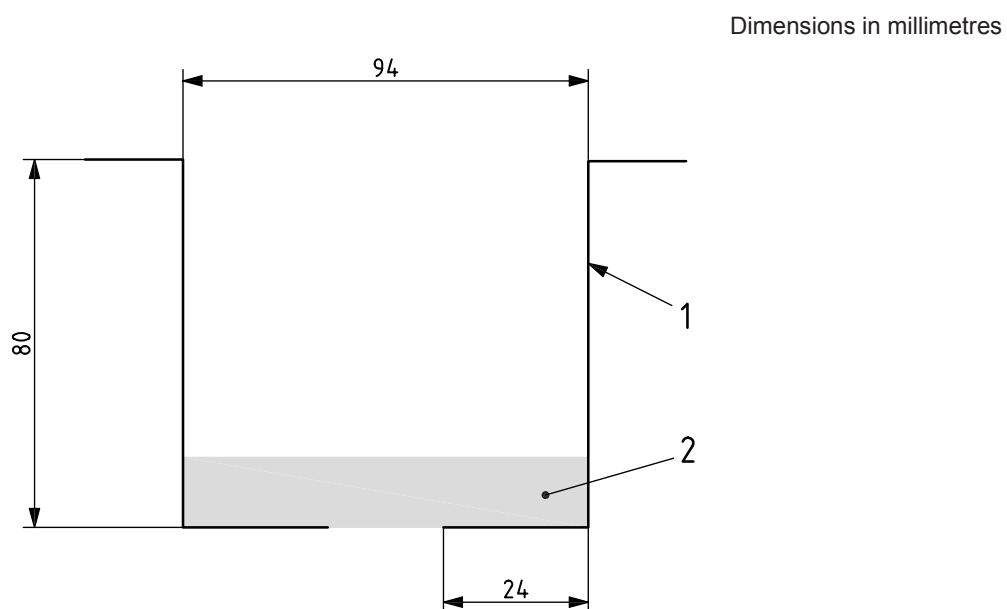
The arrangement of the bath and the dimensions of the components are shown in Figures 1, 2 and 3.



Key

- 1 plate to be tested
- 2 plates for centring and lifting the test plate from the bottom

Figure 1 — Dimensions of the test bath



Key

- 1 electrode (1 264 mm long)
- 2 NaCl solution

Figure 2 — Dimensions of the two stainless-steel electrodes (EN 10088-1 grade 1.4301)

Dimensions in millimetres

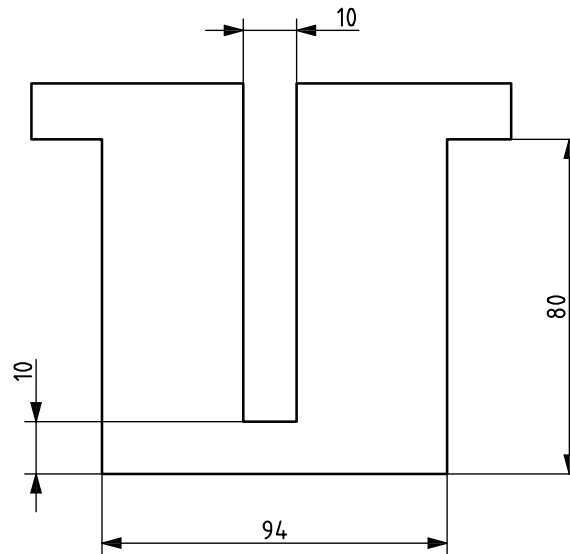


Figure 3 — Dimensions of the two polypropylene centring plates

5.2 Voltage source, consisting of a stabilized alternating source of $(10,0 \pm 0,05)$ V. The electrical diagram is shown in Figure 4.

The voltage source shall be able to maintain these voltage limits throughout the test.

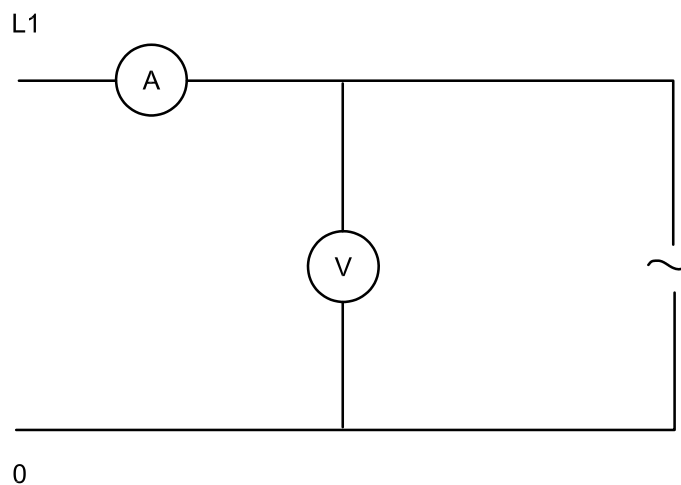


Figure 4 — Electrical diagram

5.3 Ammeter, capable of reading to the nearest 0,01 A.

6 Test specimens

Select at least one pair of plates, one corrugated and one undulated, of the same length. The minimum length of the edge to be used for the test is 300 mm.

Immerse the plates in the pickling solution (4.1) in a suitable container for a period of $10 \text{ min} \pm 10 \text{ s}$. Rinse the plates well with water and dry them.

7 Procedure

Using the design drawing, determine, to the nearest 1 mm, the total (i.e. stretched) length of the edge of the corrugated or undulated test specimen.

NOTE The stretched edge length is the length taking into account the profiling of the corrugation and undulation of the test specimen.

Determine the un-enamelled thickness of the test specimen to the nearest 0,1 mm.

Position the plate in the bath (5.1) in such a way that a maximum of 10 mm of the edge to be measured (one of the edges in the flue gas direction) is immersed in the electrolyte solution (4.2). Do this within one hour after rinsing off the sulfuric acid.

Connect the voltage source (5.2) between the bath electrodes and electrode L1 to the test specimen and, using the ammeter (5.3), record the current automatically ($3 \pm 0,5$) s after switching on the test voltage.

Repeat the test for the other edge of the test specimen and for the second test specimen.

8 Calculation and expression of results

For each edge, calculate the uncoated surface area, a , in mm^2 , using the equation:

$$a = 1,222I^2 + 12,903I \quad (1)$$

where I is the measured current, in A.

Calculate the percentage free surface area, S , using the equation:

$$S = \frac{a}{b \times c} 100 \quad (2)$$

where

a is the uncoated surface area, in mm^2 , calculated from Equation (1);

b is the stretched length of the edge of the plate, in mm;

c is the thickness of the un-enamelled plate, in mm.

Calculate the percentage edge covering, E , using the equation:

$$E = 100 - S \quad (3)$$

Express the percentage edge covering as the mean of all the determinations, rounded to the nearest 0,1 %.

Calculate the uncoated surface area, U , in mm^2/m , using the equation:

$$U = \frac{a}{b} 1000 \quad (4)$$

Express the uncoated surface area per metre length as the mean of all the determinations, rounded to the nearest $10 \text{ mm}^2/\text{m}$.

9 Precision

The precision of this measurement is $\pm 0,3$ % of the calculated percentage edge covering and ± 2 mm²/m of the uncoated surface area.

10 Test report

The test report shall include the following information:

- a) all information necessary for the identification of the sample tested;
- b) a reference to this International Standard, i.e. ISO 28723:2008;
- c) the results of the test, calculated as described in Clause 8, expressed as:
 - the mean percentage edge covering, rounded to the nearest 0,1 %,
 - the mean uncoated surface area per metre length, rounded to the nearest 10 mm²/m,and including the results of the individual determinations and the thickness of the un-enamelled plate.
- d) any deviations from the procedure specified;
- e) any unusual features (anomalies) observed during the test;
- f) the date of the test.

British Standards Institution (BSI)

BSI is the national body responsible for preparing British Standards and other standards-related publications, information and services.

BSI is incorporated by Royal Charter. British Standards and other standardization products are published by BSI Standards Limited.

About us

We bring together business, industry, government, consumers, innovators and others to shape their combined experience and expertise into standards-based solutions.

The knowledge embodied in our standards has been carefully assembled in a dependable format and refined through our open consultation process. Organizations of all sizes and across all sectors choose standards to help them achieve their goals.

Information on standards

We can provide you with the knowledge that your organization needs to succeed. Find out more about British Standards by visiting our website at bsigroup.com/standards or contacting our Customer Services team or Knowledge Centre.

Buying standards

You can buy and download PDF versions of BSI publications, including British and adopted European and international standards, through our website at bsigroup.com/shop, where hard copies can also be purchased.

If you need international and foreign standards from other Standards Development Organizations, hard copies can be ordered from our Customer Services team.

Subscriptions

Our range of subscription services are designed to make using standards easier for you. For further information on our subscription products go to bsigroup.com/subscriptions.

With **British Standards Online (BSOL)** you'll have instant access to over 55,000 British and adopted European and international standards from your desktop. It's available 24/7 and is refreshed daily so you'll always be up to date.

You can keep in touch with standards developments and receive substantial discounts on the purchase price of standards, both in single copy and subscription format, by becoming a **BSI Subscribing Member**.

PLUS is an updating service exclusive to BSI Subscribing Members. You will automatically receive the latest hard copy of your standards when they're revised or replaced.

To find out more about becoming a BSI Subscribing Member and the benefits of membership, please visit bsigroup.com/shop.

With a **Multi-User Network Licence (MUNL)** you are able to host standards publications on your intranet. Licences can cover as few or as many users as you wish. With updates supplied as soon as they're available, you can be sure your documentation is current. For further information, email bsmusales@bsigroup.com.

BSI Group Headquarters

389 Chiswick High Road London W4 4AL UK

Revisions

Our British Standards and other publications are updated by amendment or revision.

We continually improve the quality of our products and services to benefit your business. If you find an inaccuracy or ambiguity within a British Standard or other BSI publication please inform the Knowledge Centre.

Copyright

All the data, software and documentation set out in all British Standards and other BSI publications are the property of and copyrighted by BSI, or some person or entity that owns copyright in the information used (such as the international standardization bodies) and has formally licensed such information to BSI for commercial publication and use. Except as permitted under the Copyright, Designs and Patents Act 1988 no extract may be reproduced, stored in a retrieval system or transmitted in any form or by any means – electronic, photocopying, recording or otherwise – without prior written permission from BSI. Details and advice can be obtained from the Copyright & Licensing Department.

Useful Contacts:

Customer Services

Tel: +44 845 086 9001

Email (orders): orders@bsigroup.com

Email (enquiries): cservices@bsigroup.com

Subscriptions

Tel: +44 845 086 9001

Email: subscriptions@bsigroup.com

Knowledge Centre

Tel: +44 20 8996 7004

Email: knowledgecentre@bsigroup.com

Copyright & Licensing

Tel: +44 20 8996 7070

Email: copyright@bsigroup.com



...making excellence a habit.™