

Petroleum and related products — Determination of the extreme-pressure and anti-wear properties of fluids — Four ball method (European conditions)

The European Standard EN ISO 20623:2003 has the status of a British Standard

ICS 75.100

National foreword

This British Standard is the official English language version of EN ISO 20623:2003. It is identical with ISO 20623:2003.

The UK participation in its preparation was entrusted to Technical Committee PTI/13, Petroleum testing and terminology, which has the responsibility to:

- aid enquirers to understand the text;
- present to the responsible international/European committee any enquiries on the interpretation, or proposals for change, and keep the UK interests informed;
- monitor related international and European developments and promulgate them in the UK.

A list of organizations represented on this committee can be obtained on request to its secretary.

At the request of Technical Committee PTI/13 and the Institute of Petroleum, BS EN ISO 20623:2003 is no longer dual numbered with BS 2000-239:2004.

Cross-references

The British Standards which implement international or European publications referred to in this document may be found in the *BSI Catalogue* under the section entitled “International Standards Correspondence Index”, or by using the “Search” facility of the *BSI Electronic Catalogue* or of British Standards Online.

This publication does not purport to include all the necessary provisions of a contract. Users are responsible for its correct application.

Compliance with a British Standard does not of itself confer immunity from legal obligations.

Summary of pages

This document comprises a front cover, an inside front cover, the EN ISO title page, the EN ISO foreword page, the ISO title page, pages ii to iv, pages 1 to 17, the Annex ZA page, an inside back cover and a back cover.

The BSI copyright notice displayed in this document indicates when the document was last issued.

Amendments issued since publication

Amd. No.	Date	Comments
15058 Corrigendum No. 1	27 April 2004	Corrected EN ISO foreword page, incorporation of Annex ZA and addition of secondary identifier
15634	25 August 2005	See National foreword

This British Standard was published under the authority of the Standards Policy and Strategy Committee on 8 January 2004

© Energy Institute and BSI
25 August 2005

EUROPEAN STANDARD

EN ISO 20623

NORME EUROPÉENNE

EUROPÄISCHE NORM

December 2003

ICS 75.100

English version

Petroleum and related products - Determination of the extreme-pressure and anti-wear properties of fluids - Four ball method (European conditions) (ISO 20623:2003)

Pétrole et produits connexes - Détermination des propriétés extrême pression et anti-usure des fluides - Essai à quatre billes (conditions européennes) (ISO 20623:2003)

Mineralölzeugnisse und verwandte Produkte - Bestimmung der EP-Eigenschaften und Verschleißkennwerte von Flüssigkeiten - Verfahren mit dem 4-Kugel-Apparat (Europäische Bedingungen) (ISO 20623:2003)

This European Standard was approved by CEN on 10 November 2003.

CEN members are bound to comply with the CEN/CENELEC Internal Regulations which stipulate the conditions for giving this European Standard the status of a national standard without any alteration. Up-to-date lists and bibliographical references concerning such national standards may be obtained on application to the Central Secretariat or to any CEN member.

This European Standard exists in three official versions (English, French, German). A version in any other language made by translation under the responsibility of a CEN member into its own language and notified to the Central Secretariat has the same status as the official versions.

CEN members are the national standards bodies of Austria, Belgium, Czech Republic, Denmark, Finland, France, Germany, Greece, Hungary, Iceland, Ireland, Italy, Luxembourg, Malta, Netherlands, Norway, Portugal, Slovakia, Spain, Sweden, Switzerland and United Kingdom.



EUROPEAN COMMITTEE FOR STANDARDIZATION
COMITÉ EUROPÉEN DE NORMALISATION
EUROPÄISCHES KOMITEE FÜR NORMUNG

Management Centre: rue de Stassart, 36 B-1050 Brussels

CORRECTED 2004-03-03

Foreword

This document (EN ISO 20623:2003) has been prepared by Technical Committee ISO/TC 28 "Petroleum products and lubricants" in collaboration with Technical Committee CEN/TC 19 "Petroleum products, lubricants and related products", the secretariat of which is held by NEN.

This European Standard shall be given the status of a national standard, either by publication of an identical text or by endorsement, at the latest by June 2004, and conflicting national standards shall be withdrawn at the latest by June 2004.

According to the CEN/CENELEC Internal Regulations, the national standards organizations of the following countries are bound to implement this European Standard: Austria, Belgium, Czech Republic, Denmark, Finland, France, Germany, Greece, Hungary, Iceland, Ireland, Italy, Luxembourg, Malta, Netherlands, Norway, Portugal, Slovakia, Spain, Sweden, Switzerland and the United Kingdom.

Endorsement notice

The text of ISO 20623:2003 has been approved by CEN as EN ISO 20623:2003 without any modifications.

NOTE Normative references to International Standards are listed in Annex ZA (normative).

INTERNATIONAL
STANDARD

ISO
20623

First edition
2003-12-01

**Petroleum and related products —
Determination of the extreme-pressure
and anti-wear properties of fluids — Four
ball method (European conditions)**

*Pétrole et produits connexes — Détermination des propriétés extrême
pression et anti-usure des fluides — Essai quatre billes (conditions
européennes)*



Reference number
ISO 20623:2003(E)

Contents

Page

Foreword.....	iv
1 Scope	1
2 Normative references	1
3 Terms and definitions	1
4 Principle	2
5 Reagents and materials	3
5.1 Cleaning solvents	3
6 Apparatus	3
6.1 Four-ball extreme-pressure lubricant testing machine	3
6.2 Friction recording device (optional)	5
6.3 Loading discs	5
6.4 Microscope	5
6.5 Timer	5
6.6 Test balls	6
6.7 Assembly device	6
7 Samples and sampling	6
8 Preparation of apparatus	6
9 General procedure	6
10 Test procedures	7
10.1 Mean Hertz load (MHL)	7
10.2 Wear-load curve, welding load, flash temperature parameter and initial seizure load	8
10.3 Wear test	8
11 Calculations	8
11.1 General	8
11.2 Mean Hertz load	8
11.3 Wear-load curve, flash temperature parameter and initial seizure load	9
12 Expression of results	10
13 Precision	10
13.1 General	10
13.2 Repeatability	11
13.3 Reproducibility	11
14 Test report	11
Annex A (normative) Mean Hertz load data sheet	12
Annex B (normative) Calibration of friction recorder springs	14
Bibliography	17

Foreword

ISO (the International Organization for Standardization) is a worldwide federation of national standards bodies (ISO member bodies). The work of preparing International Standards is normally carried out through ISO technical committees. Each member body interested in a subject for which a technical committee has been established has the right to be represented on that committee. International organizations, governmental and non-governmental, in liaison with ISO, also take part in the work. ISO collaborates closely with the International Electrotechnical Commission (IEC) on all matters of electrotechnical standardization.

International Standards are drafted in accordance with the rules given in the ISO/IEC Directives, Part 2.

The main task of technical committees is to prepare International Standards. Draft International Standards adopted by the technical committees are circulated to the member bodies for voting. Publication as an International Standard requires approval by at least 75 % of the member bodies casting a vote.

Attention is drawn to the possibility that some of the elements of this document may be the subject of patent rights. ISO shall not be held responsible for identifying any or all such patent rights.

ISO 20623 was prepared by Technical Committee ISO/TC 28, *Petroleum products and lubricants*.

Petroleum and related products — Determination of the extreme-pressure and anti-wear properties of fluids — Four ball method (European conditions)

WARNING — The use of this International Standard may involve hazardous materials, operations and equipment. This International Standard does not purport to address all of the safety problems associated with its use. It is the responsibility of the user of this International Standard to establish appropriate safety and health practices and to determine the applicability of regulatory limitations prior to use.

1 Scope

This International Standard specifies procedures for the measurement of the extreme-pressure (EP) and anti-wear properties of lubricating oils and fluids by means of the four ball machine. The conditions of test are those that apply in Europe and other areas that have similar electrical supply characteristics (200 V to 250 V, 50 Hz). In North America, the conditions of test are slightly different, but provide a similar ranking of the lubricating properties of fluids. The test conditions are not intended to simulate particular service conditions, but to provide information over a range of standard conditions for the purpose of research, development, quality control and fluid ranking. The output is used in lubricant specifications.

2 Normative references

The following referenced documents are indispensable for the application of this document. For dated references, only the edition cited applies. For undated references, the latest edition of the referenced document (including any amendments) applies.

ISO 683-17:1999, *Heat-treated steels, alloy steels and free-cutting steels — Part 17: Ball and roller bearing steels*

ISO 3170:—¹⁾, *Petroleum liquids — Manual sampling*

3 Terms and definitions

For the purposes of this document, the following terms and definitions apply.

3.1

wear

removal of metal from the test pieces

NOTE Under conditions of low load and low friction, wear causes only small circular scars on the three stationary balls and a ring on the rotating ball. The diameters of these scars are slightly larger than the diameter of the indentation due to the static load (Hertz diameter).

¹⁾ To be published. (Revision of ISO 3170:1988)

3.2

seizure

localized fusion of metal between the rubbing surfaces of the test pieces

NOTE Seizure is indicated by an increase in friction and wear, and results in roughened scars and a ring on the balls.

3.3

weld

fusion of metal between the rubbing surfaces sufficient for metal to merge and the balls to weld together in the form of a pyramid

3.4

mean Hertz load

MHL

single number representation, of the overall wear-load diagram that covers loads from well below seizure to welding

NOTE The MHL is expressed in newtons.

3.5

wear-load curve

logarithmic plot of the load against the mean wear-scar diameter

3.6

flash temperature parameter

FTP

single number representation of the critical flash temperature above which a given fluid will fail under given conditions

NOTE Under the conditions of this International Standard, the FTP is given by:

$$FTP = \frac{10m}{d^{1,4}}$$

where

m is the applied load, expressed in newtons;

d is the wear-scar diameter at load $10m$, expressed in millimetres.

3.7

initial seizure delay load

lowest load at which seizure occurs

3.8

2,5 second seizure delay load

load corresponding to a 2,5 s delay between the start of the run and the onset of seizure

4 Principle

A single ball is rotated in contact with three fixed balls, the fluid under test being used to lubricate the balls. A lever enables loads to be applied and resulting measurements of wear, friction and weld are obtained.

5 Reagents and materials

5.1 Cleaning solvents

Solvents appropriate to the material last tested. For mineral oils, light hydrocarbons and acetone are suitable. For some hydraulic fluids, an alcohol of low molecular mass will assist in the first cleaning stage.

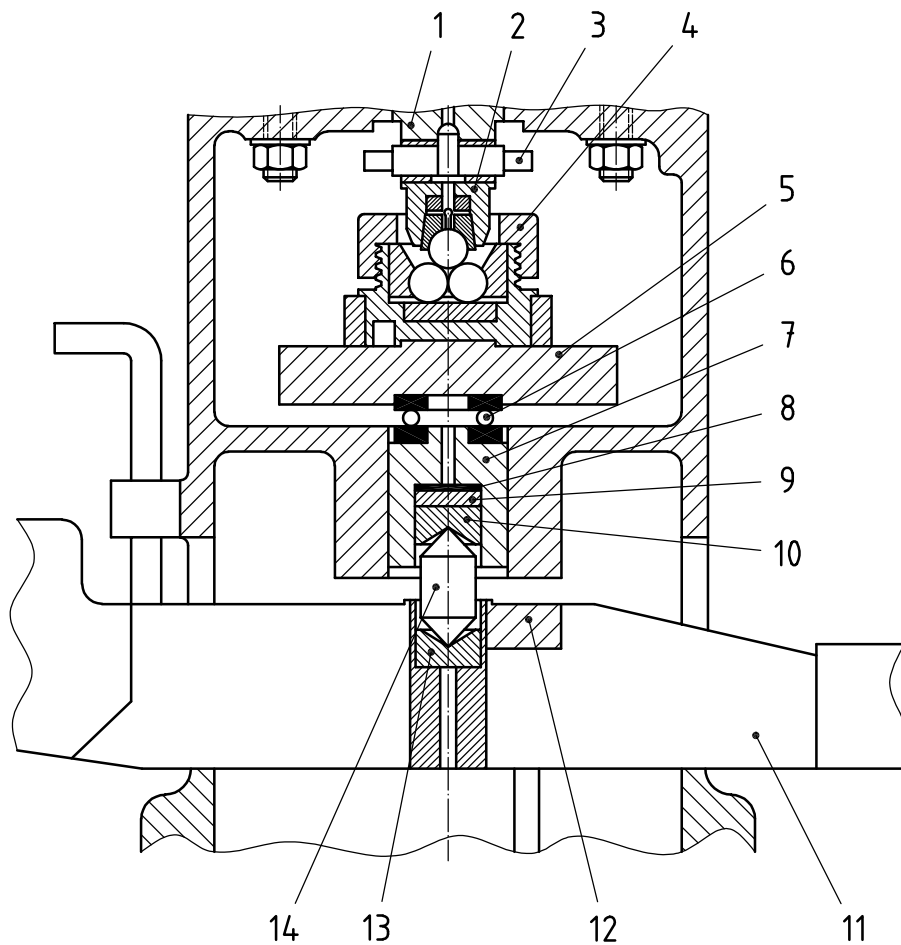
6 Apparatus

WARNING — The apparatus requires the use of heavy mass discs and due care shall be exercised when applying them or removing them from the load lever. The apparatus also contains unguarded rotating components, and due care shall be taken to avoid contact with the shaft, or entrainment of clothing or hair.

6.1 Four-ball extreme-pressure lubricant testing machine

Essentially a device by means of which a bearing ball may be rotated in contact with three fixed bearing balls immersed in the fluid under test, with no provision for temperature control. A sectional view is illustrated in Figure 1. Loads are applied to the balls by means of discs on a load lever. The upper rotating ball is held in a special chuck (see Figure 2) at the lower end of the vertical spindle of a constant-speed electric motor, operating at 147 rad/s to 157 rad/s (1 450 r/min to 1 500 r/min). The lower fixed balls are held against each other in a steel cup by means of a clamping ring and locking nut. The cup assembly is supported, above the load lever, by a disc which rests on a thrust bearing, thus allowing horizontal displacement and automatic alignment of the three lower balls against the upper ball. The frictional torque exerted on the three lower balls is measured by means of a calibrated arm, attached to the cup assembly, which is connected to the spring of a friction recording device (6.2).

NOTE It is important to distinguish between the four-ball extreme-pressure lubricant testing machine specified in this International Standard, and the four ball wear tester, which is limited to loads of up to 500 N.

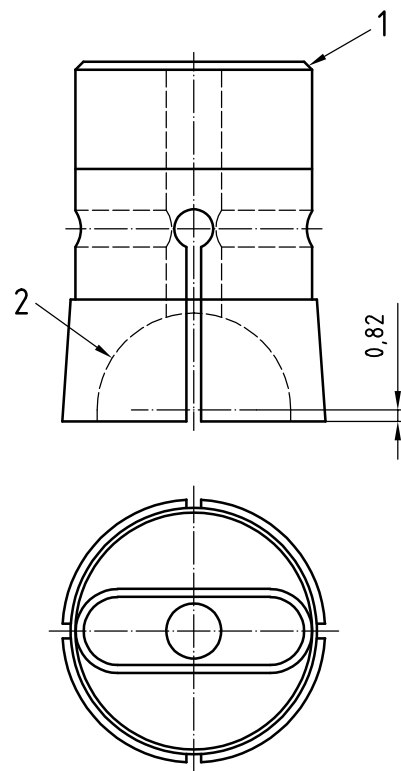


Key

- | | |
|-------------------------------|-------------------------------|
| 1 ball chuck holder | 8 brass shims |
| 2 ball chuck | 9 rubber disc |
| 3 cam for removing ball chuck | 10 step bearing |
| 4 ball pot assembly | 11 counter-weighted lever arm |
| 5 ball pot mounting disc | 12 fulcrum |
| 6 thrust bearing | 13 step bearing |
| 7 cross head | 14 pressure pin |

Figure 1 — Illustrative sectional view of four-ball EP testing machine

Dimensions in millimetres



Material: collet steel

Key

- 1 external dimensions to suit the machine
- 2 6,33/6,35 spherical radius, ground and lapped to provide a tight fit for SKF steel ball No. RB 12.7/3-10995A

Figure 2 — Upper ball chuck**6.2 Friction recording device (optional)**

A device mounted on a calibrated guide bar and consisting of a spring with one end anchored with the other end attached, by a wire, to the calibrated arm on the cup assembly. The extension of the spring in resisting the frictional torque is transmitted through a link mechanism to a pen which records its travel at a drum rotating at approximately 0,1 rad/s (0,8 r/min to 1,0 r/min). The spring stiffness required and the distance of the recorder from the vertical axis of the upper ball is variable, and dependent upon the coefficient of friction and the loads applied. The spring shall be calibrated by the procedure described in Annex B.

NOTE Three standard spring stiffnesses are available, namely weak, medium and strong, and each spring needs to be recalibrated when attached to a different recorder.

6.3 Loading discs

A series of masses designed for the application of loads from 60 N to 8 kN.

6.4 Microscope

Equipped with a calibrated measuring scale capable of measuring with an accuracy of $\pm 0,01$ mm.

6.5 Timer

Manual or electronic, capable of reading to the nearest 0,2 s.

6.6 Test balls

Lime polished, chrome alloy steel balls of $12,700\ 0\ \text{mm} \pm 0,000\ 5\ \text{mm}$ diameter, conforming to the requirements of ISO 683-17:1999, type 1. The balls shall be specially supplied for four ball testing.

NOTE Balls are available from a single supplier or their distributors under the SKF designation RB 12.7/3-10995A. This information is given for the convenience of users of this International Standard and does not constitute an endorsement by ISO of these products.

6.7 Assembly device

A plate with three pins bolted firmly to a bench, to facilitate the assembly and removal of the lower balls in the ball cup. The pins locate with holes in the underside of the cup to enable the locking nut to be tightened or loosened without the cup turning.

7 Samples and sampling

Unless otherwise specified, samples shall be taken by the procedure described in ISO 3170.

8 Preparation of apparatus

8.1 Before starting a series of tests, run the machine (6.1) unloaded for a minimum of 15 min. Clean all appropriate parts of the machine with the cleaning solvent (5.1) and dry in a stream of dry air, or with a clean, dry, lint-free cloth.

8.2 Clean four new test balls (6.6) for each run with the cleaning solvent and dry with a clean, dry, lint-free cloth.

9 General procedure

9.1 Place the ball cup on the assembly device (6.7). Put three clean balls into the cup, hold them in position with the clamping ring, and secure the assembly by tightening the locknut to a torque of $68\ \text{N}\cdot\text{m} \pm 7\ \text{N}\cdot\text{m}$. Pour in sufficient sample (8 ml to 10 ml) to cover the balls to a depth of at least 3 mm.

9.2 Fit a clean ball into the upper ball chuck and check that it cannot be rotated by hand within the chuck. Reject chucks in which the ball is loose. Fit the chuck into the taper at the end of the motor spindle.

9.3 Mount the ball-cup assembly centrally under the spindle in contact with the fourth ball. Place the mounting disc between the thrust bearing and the cup so that, when the cup is lowered into position, it sits squarely on the disc and is free to rotate with it.

9.4 Suspend the disc hanger, which has a mass of 1 kg, from the appropriate notch on the load lever, and place the required masses (6.3) on it to give the desired load.

9.5 If an indication of friction is required, set the friction recording device (6.2) at a scale reading on its guide bar equivalent to the load. Similarly, set the clip on the calibrated arm to the same scale reading and link to the friction recorder. At loads of 1 kN and less, set the friction recorder and clip at position 100, in which case the apparent value of coefficient of friction shall be multiplied by 100/applied load. Wrap a new chart paper around the recorder drum, oscillate the spring to obtain its position of zero deflection, and rotate the drum through one revolution to obtain a zero-friction reference line on the chart.

9.6 Release the load lever and apply the load slowly to the balls, taking care to avoid shock loading as this may deform the balls permanently. Check that the three lower balls centre themselves against the upper ball.

9.7 Start the main motor, the timer (6.5), and the friction recorder drum if required.

9.8 Allow the machine to run for the appropriate length of time, stop the motor, switch off the recorder if running, and remove the load from the balls by raising the lever arm and locking it in position.

9.9 Disconnect the friction recorder if connected. Remove the cup from the machine. Pour out the test portion from the cup and rinse the assembly with cleaning solvent. Remove the balls (see the following note), wash again with cleaning solvent, dry and place in a suitable marked container for safe keeping and subsequent measurement of scar diameters.

NOTE When the test requires measurement of scar diameters, this may be done either before or after removing the balls from the cup, according to the type and optical axis of the microscope being used. It is helpful to mark the surface of the balls with an electric etcher to indicate the position of the wear scars, particularly when these are very small, otherwise there may be difficulty in finding the scars again.

9.10 If values for the coefficient of friction are required, read and record the pen deflections, expressed in millimetres, from the friction chart.

9.11 Clean the locknut, lock ring, etc., in preparation for the next test. Remove the upper ball chuck from the machine and knock the ball out of the chuck by means of the hardened-steel pin and a hammer. Clean the chuck thoroughly.

9.12 Repeat the above procedure, using four new balls and a fresh test portion for each run, for all the determinations and different loads required to complete a specified test procedure.

10 Test procedures

10.1 Mean Hertz load (MHL)

10.1.1 A specimen data sheet for the recording of results is given in Annex A. The applied loads are given in newtons (N), although the actual loading disc masses are likely to be in kilograms. $1 \text{ kgf} \approx 9,806 \text{ N}$.

Users should use a series of masses that most closely correspond to the examples given in Annex A and work out the load correction factors using the equation given in Clause 11. For example, for the base load, an added 40 kg to the 1 kg disc hanger mass gives an applied load of 402,05 N.

10.1.2 Carry out a series of runs applying a starting load of $400 \text{ N} \pm 5 \text{ N}$ (marked "base") and allowing the machine to run under load for the specified time period of $10,0 \text{ s} \pm 0,2 \text{ s}$ or $60,0 \text{ s} \pm 0,5 \text{ s}$. Carry out subsequent runs at successively higher loads until welding of the balls occurs.

NOTE The choice of run time will depend upon the fluid type and the specification requirement.

10.1.3 Switch off immediately when welding occurs to prevent excessive wear on the chuck.

NOTE At the point of weld, the chuck will spin round on the top ball.

10.1.4 Carry out two check runs at the weld load. If welding does not occur in the second run, carry out a run at the next higher load and check that welding occurs.

10.1.5 If the verified welding occurs at or below 3,55 kN, carry out additional runs at successively lower loads below 400 N to provide a total of 20 runs exclusive of the welding load. If welding occurs above 3,55 kN, do not carry out any additional runs below 400 N.

10.1.6 After each run, measure the two wear-scar diameters using the microscope (6.4) to the nearest 0,01 mm in the direction of rubbing and at right angles to it, on each of the three lower balls, and record them in columns 1 to 6 on the data sheet, an example of which is given in Annex A (see the note to 9.9).

NOTE Several different types of wear scar may be found. At low loads before seizure has occurred, the wear scar is normally circular with well-defined edges and measurement presents no difficulty. At light loads after seizure, the wear scar is still approximately circular, but the edges are frequently ragged, and sometimes may be obscured by metal worn

off during the run, adhering to the scar on the trailing edge. This obstruction may be easily removed with a penknife to reveal the true edge.

10.2 Wear-load curve, welding load, flash temperature parameter and initial seizure load

10.2.1 Carry out a series of runs of $10 \text{ s} \pm 0,2 \text{ s}$ or $60 \text{ s} \pm 0,5 \text{ s}$ with loads in 100 N steps up to 1 kN, then in 250 N steps up to 3 kN, and finally in 500 N steps up to 8 kN. The lowest load shall be such that at least three runs are carried out below the initial seizure load, and the highest load shall be the welding load, which is confirmed by additional runs 100 N below the welding load.

NOTE The results from the mean Hertz load runs may be used as part of the plot of the wear-load curve, but additional runs will be required to define more closely the shape of the curve.

10.2.2 Measure the wear-scar diameters as described in 10.1.6.

10.2.3 Plot a wear-load curve of the type illustrated in Figure 3 or 4.

NOTE The initial seizure load may be confirmed by the output of the friction recording device, if used. If the 2,5 s seizure delay is required, the use of the friction recording device becomes mandatory.

10.3 Wear test

10.3.1 Select the duration of the run, the applied load and the temperature in accordance with the specified requirements, and carry out the run in the manner described in 10.1.

NOTE For hydraulic fluids, a test for 1 h under an applied load of 150 N has been found to correlate with wear in pump tests.

10.3.2 Measure the wear-scar diameters as described in 10.1.6.

11 Calculations

11.1 General

Where spherical balls are in contact under load, the theoretical diameter of the circular area of contact produced by elastic deformation of the material is the Hertz diameter. A plot of Hertz diameter against load on a log/log basis is a straight line (illustrated in Figure 3), and is known as the Hertz line. Two suitable reference points for this line as applied to the four ball machine are the Hertz diameters at 392 N and 3,10 kN, which are 0,300 mm and 0,597 mm respectively.

11.2 Mean Hertz load

11.2.1 Calculate corrected load factors, Ld_H , from the rationale given below.

The corrected load, L_c , is obtained by reducing the actual load, L_a , in the proportion of the ratio of the Hertz diameter, H , at that load to the measured wear-scar diameter, D_m , as given in the following equation:

$$L_c = L_a \left(\frac{H}{D_m} \right)$$

Since the actual loads and the corresponding Hertz diameters are known, their product can be used as a factor, Ld_H , in calculating the corrected loads from the measured scar diameters.

Calculate the mean Hertz load (MHL) from the sum of the corrected loads divided by 20. An alternative exists, but is not general, for the calculation when some of the applied loads exceed 3,10 kN. In that case, the mean Hertz load becomes the sum of the corrected loads at 3,10 kN and below, plus the average of the corrected

loads above 3,10 kN, divided by 20. The product type and specification will determine which calculation is used.

11.3 Wear-load curve, flash temperature parameter and initial seizure load

11.3.1 From the curve plotted in 10.2.3, a form as shown in Figure 3 or 4 will be derived.

11.3.2 Read the initial seizure load from the curve as the point at which there is a sharp increase in wear. If there is doubt, as is illustrated in Figure 4, the friction recorder chart, if used, will indicate a significant temporary increase in friction during seizure conditions.

11.3.3 Calculate the flash temperature parameter (FTP) for each of the test runs using the following equation:

$$\text{FTP} = \frac{L_a}{d^{1,4}}$$

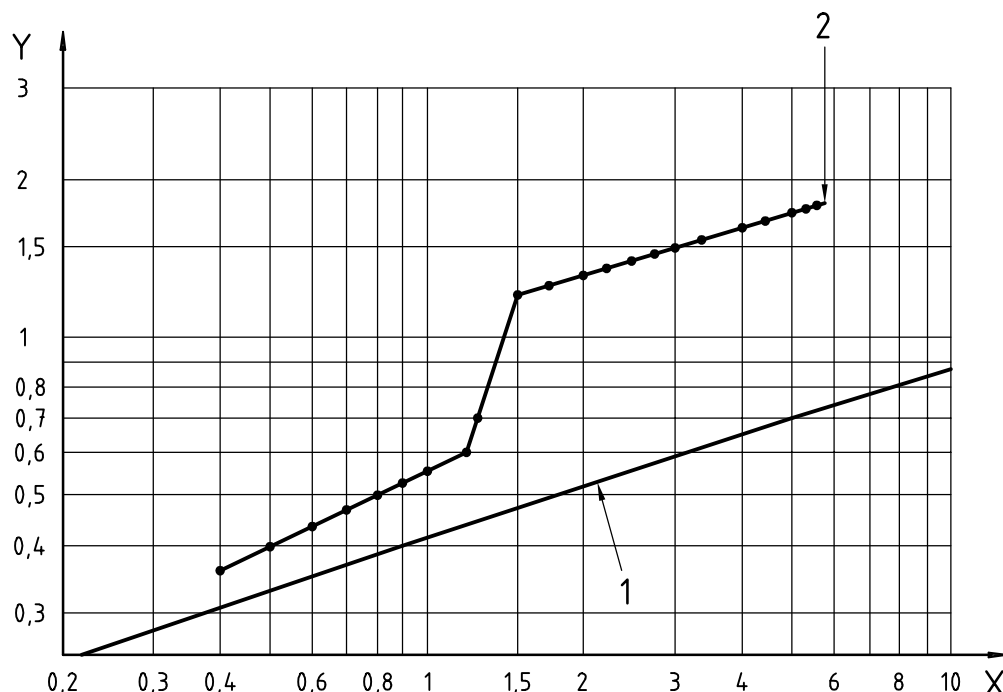
where

L_a is the actual applied load, expressed in newtons;

d is the mean wear-scar diameter at the corresponding load.

The FTP may be read directly from the wear-load curve by use of a special set square with an angle of $35^\circ 32'$ ($\cot^{-1} = 1,4$). With the base horizontal, the FTP is calculated from the point at which the lowest point on the curve that the hypotenuse touches with the rest of the curve lying above it. Since all points on the hypotenuse have equal values of $L_a/d^{1,4}$, the magnitude can be read off from the point at which the hypotenuse intersects $d = 1$ mm.

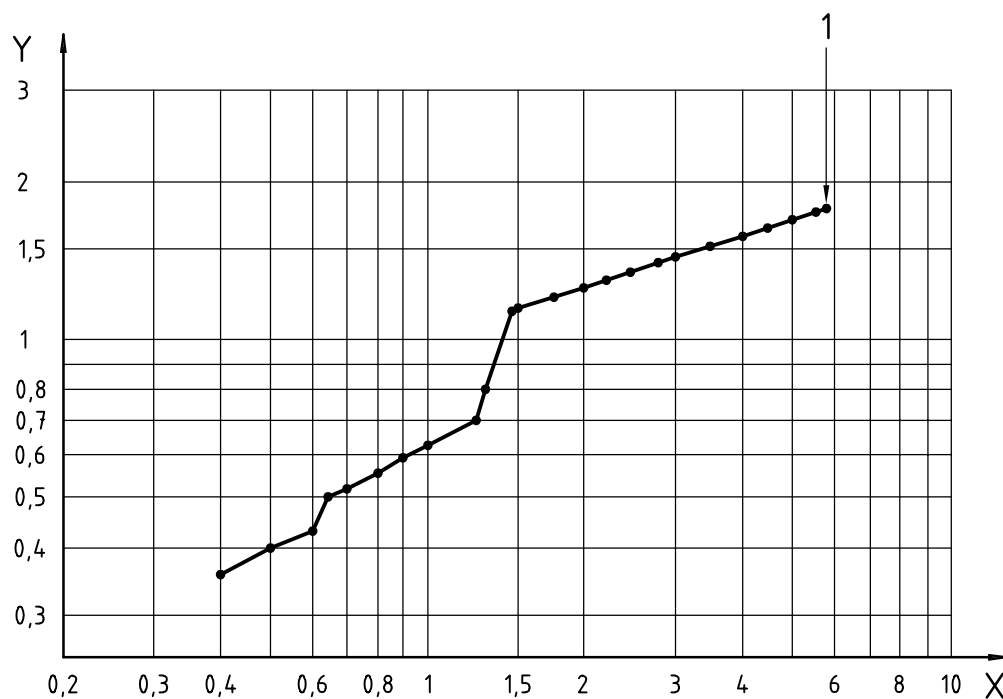
The FTP is the maximum value calculated.



Key

- X load, kN
- Y wear-scar diameter, mm
- 1 Hertz line
- 2 welding load

Figure 3 — Wear-load curve

**Key**

X load, kN

Y wear-scar diameter, mm

1 welding load

Figure 4 — Wear-load curve**12 Expression of results**

12.1 Report the weld load to the nearest 100 N as WL (10 s) or WL (60 s), as appropriate.

12.2 Report the mean Hertz load to the nearest 10 N as MHL (10 s) or MHL (60 s), as appropriate. If the alternative calculation has been used, report as MHLA (10 s) or MHLA (60 s).

12.3 Report the initial seizure load to the nearest 50 N as ISL (10 s) or ISL (60 s), as appropriate.

12.4 Report the flash temperature parameter as the FTP (10 s) or FTP (60 s), as appropriate.

12.5 Report the mean wear-scar diameter to the nearest 0,01 mm from the wear test (10.3) as MSWD with the duration, load and temperature following in parentheses, e.g. MSWD (1 h, 150 N, 20 °C).

12.6 If required, supply the wear-load curve.

13 Precision**13.1 General**

The precision, as determined by statistical examination according to ISO 4259^[1] of interlaboratory test results on a matrix of lubricating oils and greases using the test balls specified in the note to 6.6, is given in 13.2 and 13.3. These precision estimates were first published in 1997.

13.2 Repeatability

The difference between two test results obtained by the same operator with the same apparatus under constant operating conditions on identical test material would in the long run, in the normal and correct operation of the test method, exceed the values given in Table 1 in only one case in twenty.

13.3 Reproducibility

The difference between two single and independent test results obtained by different operators working in different laboratories on identical test material would in the long run, in the normal and correct operation of the test method, exceed the values given in Table 1 in only one case in twenty.

Table 1 — Precision values

Characteristic	Repeatability ^a	Reproducibility ^a
Weld load, N	0,004 77 $X^{1,5}$	0,008 97 $X^{1,5}$
ISL, N	0,150 X	0,381 X
MHL, N	0,013 4 $X^{1,5}$	0,028 4 $X^{1,5}$
MWSD, mm	0,176 X	0,296 X
^a where X is the average of the results being compared.		

14 Test report

The test report shall contain at least the following information:

- a) a reference to this International Standard;
- b) the type and complete identification of the product tested;
- c) the result of the test (see Clause 12);
- d) any deviation, by agreement or otherwise, from the procedure specified;
- e) the date of the test.

Annex A (normative)

Mean Hertz load data sheet

A.1 Table A.1 gives an illustration of a typical data sheet for the recording of mean Hertz load data. The corrected load factors, Ld_H , are for the applied loads given, but users will need to calculate these factors for the actual loads used in the series of tests.

Table A.1 — Mean Hertz load data

Applied load, L	Wear-scar diameter mm						Average diameter, D_m mm	Load factor Ld_H	Corrected load Ld_H/D_m
	1	2	3	4	5	6			
60								0,954	
70								1,120	
80								1,400	
90								1,638	
100								1,880	
110								2,134	
130								2,685	
140								2,940	
160								3,520	
180								4,122	
200								4,740	
220								5,390	
250								6,375	
280								7,420	
320								8,864	
360								10,37	
400 (base)								11,98	
450								14,00	
500								16,10	
560								18,70	
630								21,86	
710								25,70	
790								29,62	
890								34,71	
1 000								40,50	
1 120								47,15	
1 260								55,19	
1 410								64,01	
1 580								74,58	
1 780								87,40	
2 000								102,2	
2 240								118,8	
2 510								138,3	
2 820								161,6	
3 160								188,0	
								Total, A	

Table A.1 — (continued)

Applied load, L N	Wear-scar diameter mm						Average diameter, D_m mm	Load factor Ld_H	Corrected load Ld_H/D_m
	1	2	3	4	5	6			
3 550								219,4	
3 980								255,5	
4 470								298,1	
5 010								347,2	
5 620								404,6	
6 310								472,6	
7 080								550,8	
7 940								641,6	
								Total, B OR Average, C	

$$\text{Mean Hertz load, MHL} = \frac{A+B}{20}$$

$$\text{Mean Hertz load (alternative), MHLA} = \frac{A+C}{20}$$

Annex B (normative)

Calibration of friction recorder springs

B.1 Objective

The differing frictional characteristics of lubricants evaluated by this International Standard necessitate the use of different helical springs, which depend upon the applied loads. For each spring, whether weak, medium or strong, an individual spring constant is required for the calculation of coefficient of friction. A spring shall be recalibrated whenever it is used with a different recorder.

B.2 Method

B.2.1 Insert the spring between holders and place paper on the recorder drum. Engage the recorder and rotate the drum in order to draw a base line on the paper.

B.2.2 Lay the friction recording device on its near side between two parallel bars, such that the height and the space in between will allow for free movement of a mass carrier, as illustrated in Figure B.1.

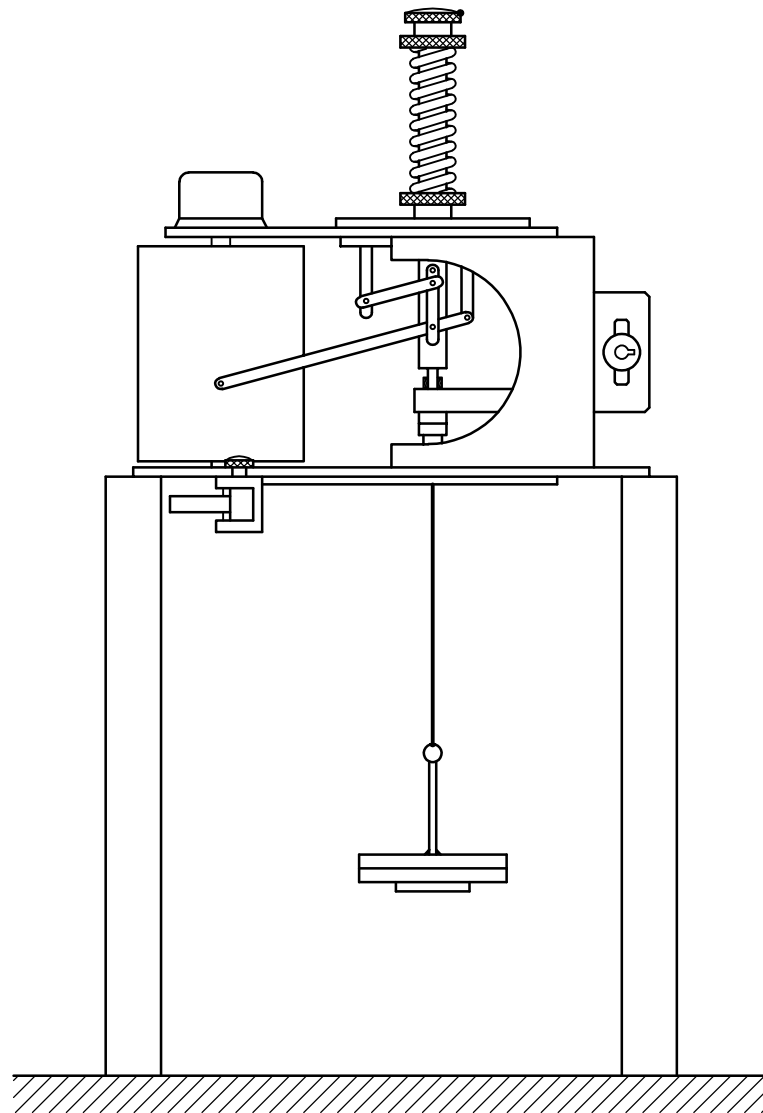


Figure B.1 — Friction recorder spring calibration apparatus

- B.2.3** Attach one end of a fine steel wire to the link of the recording arm and hang a mass carrier (of known mass) to the other end.
- B.2.4** Place a suitable known mass on the carrier and measure the distance from the base line travelled by the indicator pen. Divide the total mass by the distance to give a figure relative to the spring rate.
- B.2.5** Repeat this procedure at two further masses.
- B.2.6** Take the average of the three spring rates.

B.3 Calculation

The friction torque, T , on the lower balls is expressed by either of the following two equations:

$$T = \frac{\mu \times 3L \times r}{\sqrt{6}} \quad (1)$$

$$T = F \times M \quad (2)$$

where

μ is the coefficient of friction;

L is the applied load, expressed in newtons;

r is the distance from the centre of the contact surfaces on the lower balls to the axis of rotation (3,67 mm);

F is the force exerted on the recorder spring, expressed in newtons;

M is the length of the torque lever arm, expressed in millimetres.

Combining Equations (1) and (2) gives:

$$\mu = \frac{\sqrt{6} \times F \times M}{3 \times r \times L} \quad (3)$$

but

$$F = f \times d \quad (4)$$

where

f is the spring rate, expressed in newtons per millimetre;

d is the deflection of the indicator, expressed in millimetres.

thus

$$\mu = \frac{\sqrt{6} \times f \times d \times M}{3 \times r \times L} \quad (5)$$

Since M is selected for each load, L , according to the graduation on the torque arm and the friction recorder mounting, M/L is a constant, which may vary between machines, and hence the requirement for checking. Since also f and r are constants, Equation (5) can be reduced to:

$$\mu = K \times d \quad (6)$$

where K is the spring constant, expressed by:

$$K = 0,222 \times f \times M/L \text{ mm}^{-1} \quad (7)$$

Bibliography

- [1] ISO 4259:1992, *Petroleum products — Determination and application of precision data in relation to methods of test*

Annex ZA
(normative)**Normative references to international publications
with their relevant European publications**

This European Standard incorporates by dated or undated reference, provisions from other publications. These normative references are cited at the appropriate places in the text and the publications are listed hereafter. For dated references, subsequent amendments to or revisions of any of these publications apply to this European Standard only when incorporated in it by amendment or revision. For undated references the latest edition of the publication referred to applies (including amendments).

NOTE Where an International Publication has been modified by common modifications, indicated by (mod.), the relevant EN/HD applies.

<u>Publication</u>	<u>Year</u>	<u>Title</u>	<u>EN</u>	<u>Year</u>
ISO 683-17	1999	Heat-treated steels, alloy steels and free-cutting steels - Part 17: Ball and roller bearing steels	EN ISO 683-17	1999
ISO 3170	1988	Petroleum liquids - Manual sampling	EN ISO 3170	1998

BSI — British Standards Institution

BSI is the independent national body responsible for preparing British Standards. It presents the UK view on standards in Europe and at the international level. It is incorporated by Royal Charter.

Revisions

British Standards are updated by amendment or revision. Users of British Standards should make sure that they possess the latest amendments or editions.

It is the constant aim of BSI to improve the quality of our products and services. We would be grateful if anyone finding an inaccuracy or ambiguity while using this British Standard would inform the Secretary of the technical committee responsible, the identity of which can be found on the inside front cover.
Tel: +44 (0)20 8996 9000. Fax: +44 (0)20 8996 7400.

BSI offers members an individual updating service called PLUS which ensures that subscribers automatically receive the latest editions of standards.

Buying standards

Orders for all BSI, international and foreign standards publications should be addressed to Customer Services. Tel: +44 (0)20 8996 9001.
Fax: +44 (0)20 8996 7001. Email: orders@bsi-global.com. Standards are also available from the BSI website at <http://www.bsi-global.com>.

In response to orders for international standards, it is BSI policy to supply the BSI implementation of those that have been published as British Standards, unless otherwise requested.

Information on standards

BSI provides a wide range of information on national, European and international standards through its Library and its Technical Help to Exporters Service. Various BSI electronic information services are also available which give details on all its products and services. Contact the Information Centre.
Tel: +44 (0)20 8996 7111. Fax: +44 (0)20 8996 7048. Email: info@bsi-global.com.

Subscribing members of BSI are kept up to date with standards developments and receive substantial discounts on the purchase price of standards. For details of these and other benefits contact Membership Administration.
Tel: +44 (0)20 8996 7002. Fax: +44 (0)20 8996 7001.
Email: membership@bsi-global.com.

Information regarding online access to British Standards via British Standards Online can be found at <http://www.bsi-global.com/bsonline>.

Further information about BSI is available on the BSI website at <http://www.bsi-global.com>.

Copyright

Copyright subsists in all BSI publications. BSI also holds the copyright, in the UK, of the publications of the international standardization bodies. Except as permitted under the Copyright, Designs and Patents Act 1988 no extract may be reproduced, stored in a retrieval system or transmitted in any form or by any means – electronic, photocopying, recording or otherwise – without prior written permission from BSI.

This does not preclude the free use, in the course of implementing the standard, of necessary details such as symbols, and size, type or grade designations. If these details are to be used for any other purpose than implementation then the prior written permission of BSI must be obtained.

Details and advice can be obtained from the Copyright & Licensing Manager.
Tel: +44 (0)20 8996 7070. Fax: +44 (0)20 8996 7553.
Email: copyright@bsi-global.com.