

BS EN ISO 19353:2016



BSI Standards Publication

Safety of machinery — Fire prevention and fire protection

bsi.

...making excellence a habit.™

National foreword

This British Standard is the UK implementation of EN ISO 19353:2016. It is identical to ISO 19353:2015. It supersedes BS EN 13478:2001+A1:2008 which is withdrawn.

The UK participation in its preparation was entrusted to Technical Committee EXL/23, Explosion and fire precautions in industrial and chemical plant.

A list of organizations represented on this committee can be obtained on request to its secretary.

This publication does not purport to include all the necessary provisions of a contract. Users are responsible for its correct application.

© The British Standards Institution 2016.
Published by BSI Standards Limited 2016

ISBN 978 0 580 77549 9

ICS 13.110; 13.220.20

Compliance with a British Standard cannot confer immunity from legal obligations.

This British Standard was published under the authority of the Standards Policy and Strategy Committee on 29 February 2016.

Amendments/corrigenda issued since publication

Date	Text affected
------	---------------

EUROPEAN STANDARD

EN ISO 19353

NORME EUROPÉENNE

EUROPÄISCHE NORM

January 2016

ICS 13.110

Supersedes EN 13478:2001+A1:2008

English Version

Safety of machinery - Fire prevention and fire protection (ISO 19353:2015)

Sécurité des machines - Prévention et protection
contre l'incendie (ISO 19353:2015)

Sicherheit von Maschinen - Brandschutz (ISO
19353:2015)

This European Standard was approved by CEN on 31 October 2015.

CEN members are bound to comply with the CEN/CENELEC Internal Regulations which stipulate the conditions for giving this European Standard the status of a national standard without any alteration. Up-to-date lists and bibliographical references concerning such national standards may be obtained on application to the CEN-CENELEC Management Centre or to any CEN member.

This European Standard exists in three official versions (English, French, German). A version in any other language made by translation under the responsibility of a CEN member into its own language and notified to the CEN-CENELEC Management Centre has the same status as the official versions.

CEN members are the national standards bodies of Austria, Belgium, Bulgaria, Croatia, Cyprus, Czech Republic, Denmark, Estonia, Finland, Former Yugoslav Republic of Macedonia, France, Germany, Greece, Hungary, Iceland, Ireland, Italy, Latvia, Lithuania, Luxembourg, Malta, Netherlands, Norway, Poland, Portugal, Romania, Slovakia, Slovenia, Spain, Sweden, Switzerland, Turkey and United Kingdom.



EUROPEAN COMMITTEE FOR STANDARDIZATION
COMITÉ EUROPÉEN DE NORMALISATION
EUROPÄISCHES KOMITEE FÜR NORMUNG

CEN-CENELEC Management Centre: Avenue Marnix 17, B-1000 Brussels

European foreword

This document (EN ISO 19353:2016) has been prepared by Technical Committee ISO/TC 199 "Safety of machinery" in collaboration with Technical Committee CEN/TC 114 "Safety of machinery" the secretariat of which is held by DIN.

This European Standard shall be given the status of a national standard, either by publication of an identical text or by endorsement, at the latest by July 2016, and conflicting national standards shall be withdrawn at the latest by July 2016.

Attention is drawn to the possibility that some of the elements of this document may be the subject of patent rights. CEN [and/or CENELEC] shall not be held responsible for identifying any or all such patent rights.

This document supersedes EN 13478:2001+A1:2008.

This document has been prepared under a mandate given to CEN by the European Commission and the European Free Trade Association, and supports essential requirements of EU Directive(s).

For relationship with EU Directive, see informative Annex ZA, which is an integral part of this document.

According to the CEN-CENELEC Internal Regulations, the national standards organizations of the following countries are bound to implement this European Standard: Austria, Belgium, Bulgaria, Croatia, Cyprus, Czech Republic, Denmark, Estonia, Finland, Former Yugoslav Republic of Macedonia, France, Germany, Greece, Hungary, Iceland, Ireland, Italy, Latvia, Lithuania, Luxembourg, Malta, Netherlands, Norway, Poland, Portugal, Romania, Slovakia, Slovenia, Spain, Sweden, Switzerland, Turkey and the United Kingdom.

Endorsement notice

The text of ISO 19353:2015 has been approved by CEN as EN ISO 19353:2016 without any modification.

Annex ZA (informative)

Relationship between this European Standard and the Essential Requirements of EU Directive 2006/42/EC

This European Standard has been prepared under a mandate given to CEN by the European Commission and the European Free Trade Association to provide a means of conforming to Essential Requirements of the New Approach Directive Machinery 2006/42/EC.

Once this standard is cited in the Official Journal of the European Union under that Directive and has been implemented as a national standard in at least one Member State, compliance with Clauses 4 to 7 of this standard confers within the limits of the scope of this standard, a presumption of conformity with Essential Requirements Annex I, 1.5.6 “*Fire*” of that Directive and associated EFTA regulations.

WARNING — Other requirements and other EU Directives may be applicable to the product(s) falling within the scope of this standard.

Contents

Page

Foreword	iv
Introduction	v
1 Scope	1
2 Normative references	1
3 Terms and definitions	1
4 Fire hazards	5
4.1 General.....	5
4.2 Combustible materials.....	6
4.3 Oxidizers.....	6
4.4 Ignition sources.....	6
5 Strategy for fire risk assessment and risk reduction	6
5.1 General.....	6
5.2 Determination of the limits of the machinery.....	9
5.3 Identification of fire hazards.....	9
5.4 Risk estimation.....	10
5.5 Risk evaluation.....	11
5.6 Risk reduction.....	12
5.6.1 General.....	12
5.6.2 Inherently safe design measures.....	12
5.6.3 Safeguarding.....	13
5.6.4 Complementary protective measures.....	13
6 Procedure for the selection of complementary protective measures	14
6.1 General.....	14
6.1.1 Use of the procedure.....	14
6.1.2 Determination of the residual risk level.....	14
6.1.3 Specification of requirements for the choice of fire detection and fire suppression system.....	15
6.1.4 Specification of safety and performance requirements.....	15
6.1.5 Selection of system parts and suitable fire-extinguishing agent.....	15
6.1.6 Decision on the need for further complementary protective measures.....	15
6.1.7 Validation.....	15
6.2 Selection of the fire prevention and protection system in relation to the expected risk level.....	15
6.2.1 General.....	15
6.2.2 Injury to persons.....	15
6.2.3 Safety considerations.....	16
6.2.4 Selection of system parts.....	16
6.2.5 Selection of fire-extinguishing agent.....	16
6.2.6 Validation.....	17
7 Information for use	17
Annex A (informative) Examples of ignition sources	19
Annex B (informative) Examples of machines and their typical fire-related hazards	21
Annex C (informative) Example for the design of a fire suppression system integrated in machinery	22
Annex D (informative) Example for the risk assessment and risk reduction of a machining centre for the machining of metallic materials	23
Annex E (informative) Fire risk reduction measures	34
Bibliography	35

Foreword

ISO (the International Organization for Standardization) is a worldwide federation of national standards bodies (ISO member bodies). The work of preparing International Standards is normally carried out through ISO technical committees. Each member body interested in a subject for which a technical committee has been established has the right to be represented on that committee. International organizations, governmental and non-governmental, in liaison with ISO, also take part in the work. ISO collaborates closely with the International Electrotechnical Commission (IEC) on all matters of electrotechnical standardization.

The procedures used to develop this document and those intended for its further maintenance are described in the ISO/IEC Directives, Part 1. In particular the different approval criteria needed for the different types of ISO documents should be noted. This document was drafted in accordance with the editorial rules of the ISO/IEC Directives, Part 2 (see www.iso.org/directives).

Attention is drawn to the possibility that some of the elements of this document may be the subject of patent rights. ISO shall not be held responsible for identifying any or all such patent rights. Details of any patent rights identified during the development of the document will be in the Introduction and/or on the ISO list of patent declarations received (see www.iso.org/patents).

Any trade name used in this document is information given for the convenience of users and does not constitute an endorsement.

For an explanation on the meaning of ISO specific terms and expressions related to conformity assessment, as well as information about ISO's adherence to the WTO principles in the Technical Barriers to Trade (TBT) see the following URL: [Foreword - Supplementary information](#)

The committee responsible for this document is ISO/TC 199, *Safety of machinery*.

This second edition cancels and replaces the first edition (ISO 19353:2005), which has been technically revised.

Introduction

The safety of machinery against fire involves fire prevention and fire protection and fire-fighting. In general, as shown in [Annex E](#), these include technical, structural, organizational and fire suppression measures. Effective fire safety of machinery can require the implementation of a single measure or a combination of measures.

[Annex E](#) provides an overview on fire risk reduction measures. This International Standard deals with the measures shown in [Figure 1](#).

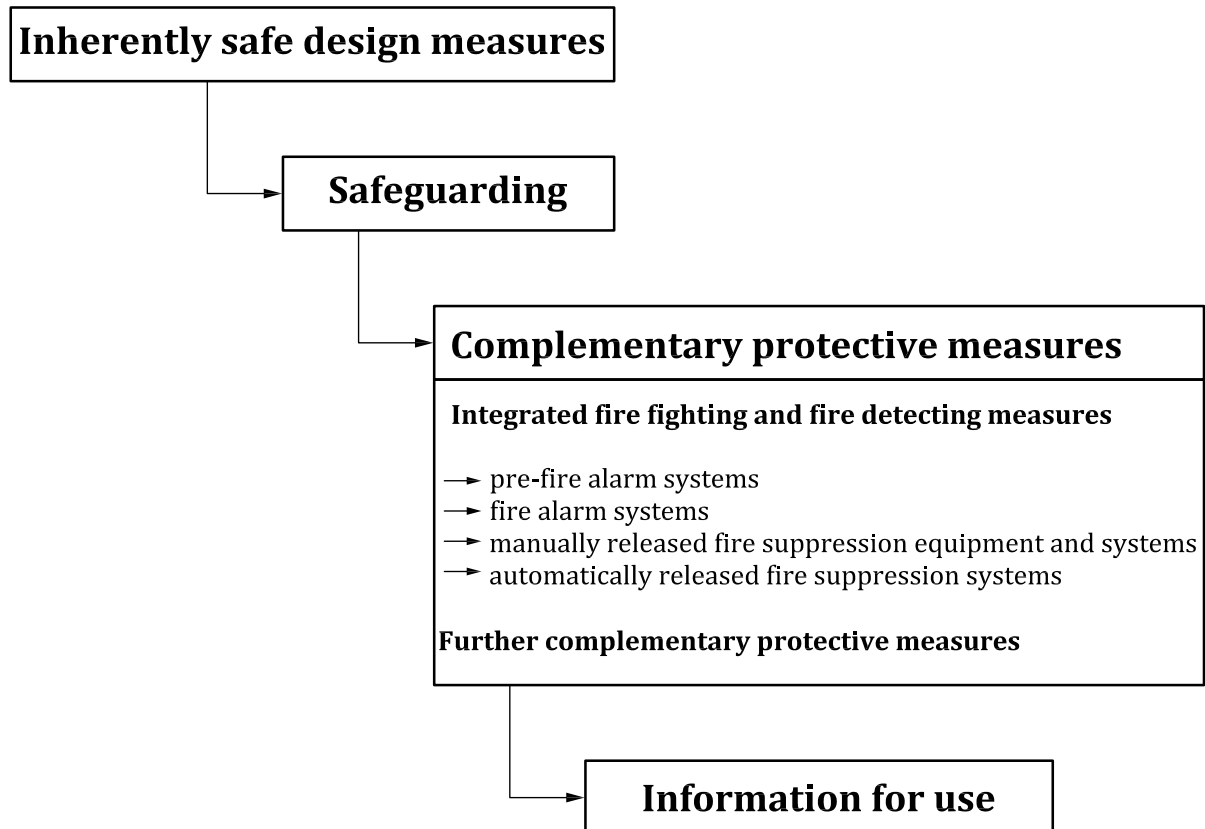


Figure 1 — Protective measures dealt with in ISO 19353

The structure of safety standards in the field of machinery is as follows.

- a) **type-A standards** (basis standards) giving basic concepts, principle for design, and general aspects that can be applied to machinery;
- b) **type-B standards** (generic safety standards) dealing with one or more safety aspect(s), or one or more type(s) of safeguards that can be used across a wide range of machinery:
 - type-B1 standards on particular safety aspects (e.g. safety distances, surface temperature, noise);
 - type-B2 standards on safeguards (e.g. two-hands controls, interlocking devices, pressure sensitive devices, guards);
- c) **type-C standards** (machinery safety standards) dealing with detailed safety requirements for a particular machine or group of machines.

ISO 19353 is a type-B1 standard as stated in ISO 12100.

This document is of relevance, in particular, for the following stakeholder groups representing the market players with regard to machinery safety:

- machine manufacturers (small, medium and large enterprises);
- health and safety bodies (regulators, accident prevention organisations, market surveillance, etc.);
- machine users/employers (small, medium and large enterprises);
- machine users/employees (e.g. trade unions, organizations for people with special needs);
- service providers, e.g. for maintenance (small, medium and large enterprises);
- consumers (in case of machinery intended for use by consumers).

The above-mentioned stakeholder groups have been given the possibility to participate at the drafting process of this document.

In addition, this document is intended for standardization bodies elaborating type-C standards.

The requirements of this document can be supplemented or modified by a type-C standard.

For machines that are covered by the scope of a type-C standard and that have been designed and built according to the requirements of that standard, the requirements of that type-C standard take precedence.

Safety of machinery — Fire prevention and fire protection

1 Scope

This International Standard specifies methods for identifying fire hazards resulting from machinery and for performing a risk assessment.

It gives the basic concepts and methodology of protective measures for fire prevention and protection to be taken during the design and construction of machinery. The measures consider the intended use and reasonably foreseeable misuse of the machine.

It provides guidelines for consideration in reducing the risk of machinery fires to acceptable levels through machine design, risk assessment and operator instructions.

This International Standard is not applicable to

- mobile machinery,
- machinery designed to contain controlled combustion processes (e.g. internal combustion engines, furnaces), unless these processes can constitute the ignition source of a fire in other parts of the machinery or outside of this,
- machinery used in potentially explosive atmospheres and explosion prevention and protection, and
- fire detection and suppression systems that are integrated in building fire safety systems.

It is also not applicable to machinery or machinery components manufactured before the date of its publication.

2 Normative references

The following documents, in whole or in part, are normatively referenced in this document and are indispensable for its application. For dated references, only the edition cited applies. For undated references, the latest edition of the referenced document (including any amendments) applies.

ISO 12100:2010, *Safety of machinery — General principles for design — Risk assessment and risk reduction*

ISO 13849-1, *Safety of machinery — Safety-related parts of control systems — Part 1: General principles for design*

3 Terms and definitions

For the purposes of this document, the terms and definitions given in ISO 12100 and the following apply.

3.1

combustibility

property of a material capable of burning

Note 1 to entry: Accurate assessment of the combustibility characteristics of a material will depend on the operating conditions of the machinery and the form and physical state of the material (e.g. gaseous, liquid or solid; solids chopped to form shavings or dust, or not).

Note 2 to entry: On the basis of their combustibility, materials can be classified into non-combustible, hardly combustible, combustible and easily combustible materials. It is important not to mix up combustibility on the one hand, and flammability or ignitability on the other. Consequently, flash points and ignition points do not represent quantitative measures of combustibility.

3.2
combustible

capable of being ignited or burned

[SOURCE: ISO 13943:2008, 4.43]

3.3
combustion

exothermic reaction of a substance with an oxidizing agent

Note 1 to entry: Combustion generally emits fire effluent accompanied by flames and/or glowing.

[SOURCE: ISO 13943:2008, 4.46]

3.4
damaging fire

fire that causes harm to people, buildings, machinery and/or environment

3.5
extinguishing opening

port in the machine housing, closed with a plug or flap that can be safely accessed with an extinguishing device

Note 1 to entry: An extinguishing device, e.g. a hose or lance, can be used.

3.6
fire

<general> self-supporting combustion that can occur as controlled combustion or uncontrolled combustion

Note 1 to entry: Controlled combustion is deliberately arranged to provide an intended effect.

Note 2 to entry: Uncontrolled combustion is spreading uncontrolled in time and space.

Note 3 to entry: In the case of a combustion control failure, controlled combustion can lead to uncontrolled combustion.

[SOURCE: ISO 13943:2008, 4.96 to 4.98, modified.]

3.7
fire alarm system

system that, by the use of sensors, detects the onset of fire and initiates a response

Note 1 to entry: Sensors can be designed to detect smoke, combustion gases, heat or flames.

3.8
fire-extinguishing agent

agent which is appropriate to extinguish fire by cooling below ignition temperature and/or by reducing the oxidizer level

Note 1 to entry: The extinguishing agent can be gaseous, liquid or solid. Common extinguishing agents include water, carbon dioxide, nitrogen, argon, chemical powder or foam.

3.9
fire hazard

physical object or condition with a potential for an undesirable consequence from fire

[SOURCE: ISO 13943:2008, 4.112]

3.10

fire load

quantity of heat that can be released by the complete combustion of all the combustible materials in a volume, including the facings of all bounding surfaces

Note 1 to entry: Fire load can be based on effective heat of combustion, gross heat combustion or net heat combustion as required by the specifier.

Note 2 to entry: The word “load” can be used to denote force or power or energy. In this context, it is used to denote energy.

Note 3 to entry: The typical units are kilojoules (kJ) and megajoules (MJ).

[SOURCE: ISO 13943:2008, 4.114]

3.11

fire prevention

measures to prevent the outbreak of a fire and/or to limit its effects

[SOURCE: ISO 8421-1:1987, 1.21]

3.12

fire protection

measures such as design features, systems, equipment, buildings or other structures to reduce danger to persons and property by detecting, extinguishing or containing fires

[SOURCE: ISO 8421-1:1987, 1.23, modified — “measures such as” has been added to the original definition.]

3.13

fire risk

probability of a fire combined with a quantified measure of its consequence

[SOURCE: ISO 13943:2008, 4.124]

3.14

fire suppression system

technical system to fight a fire and to reduce the damaging effects of flames and heat

Note 1 to entry: Additional devices might be required to extinguish the fire.

3.15

flame

rapid, self-sustaining, sub-sonic propagation of combustion in a gaseous medium, usually with emission of light

[SOURCE: ISO 13943:2008, 4.133]

3.16

flame retardant

substance added, or treatment applied, to a material in order to suppress or delay the appearance of a flame and/or reduce its propagation rate

[SOURCE: ISO 13943:2008, 4.139, modified — The note has been deleted and “the flame-spread rate” replaced with “its propagation rate”.]

3.17

flammability

ability of a material or product to burn with a flame under specified conditions

Note 1 to entry: Accurate assessment of the ignition characteristics of material will depend on the operating conditions of the machinery.

[SOURCE: ISO 13943:2008, 4.151, modified — Note 1 to entry has been added.]

3.18

glow

glowing combustion

combustion of a material in the solid phase without flame but with emission of light from the combustion zone

[SOURCE: ISO 13943:2008, 4.169, modified — “glow” has been introduced as the preferred term.]

3.19

ignitability

ease of ignition

measure of the ease with which a test specimen can be ignited, under specified conditions

[SOURCE: ISO 13943:2008, 4.182, modified — Cross reference has been deleted.]

3.20

ignition

<general> initiation of combustion

[SOURCE: ISO 13943:2008, 4.187, modified — Deprecated synonymous term “sustained ignition” has been deleted.]

3.21

ignition energy

energy necessary to initiate combustion

3.22

ignition source

source of energy that initiates combustion

[SOURCE: ISO 13943:2008, 4.189]

3.23

low-emission metalworking fluid

metalworking fluid composed of low-evaporation base media and anti-mist additives

Note 1 to entry: Low-evaporation base media are base oils consisting of low-evaporation mineral oils, synthetic esters and/or special liquids.

3.24

overheating

uncontrolled temperature increase

3.25

pre-fire alarm system

system that detects conditions that can lead to the potential onset of fire and initiates a response

Note 1 to entry: A response can be a trigger of an alarm signal or can initiate an automatic reaction.

Note 2 to entry: Sensors for these systems can detect heat due to friction, hot surfaces, loss of inerting, abnormal changes of gas concentrations, failure of lubrication or cooling supply, etc.

3.26

required performance level

PL_r

performance level (PL) applied in order to achieve the required risk reduction for each safety function

[SOURCE: ISO 13849-1:2006, 3.1.24, modified — Cross references have been deleted.]

3.27

self-heating

<chemical> rise in temperature in a material resulting from an exothermic reaction within the material

[SOURCE: ISO 13943:2008, 4.287]

3.28

self-ignition

spontaneous ignition resulting from self-heating

3.29

smoke

visible part of fire effluent

Note 1 to entry: For definition of fire effluent see ISO 13943:2008, 4.105.

[SOURCE: ISO 13943:2008, 4.2693, modified — Note 1 to entry has been added.]

4 Fire hazards

4.1 General

A fire hazard occurs if combustible materials (fuel), oxidizer (oxygen) and ignition energy (heat) are available in sufficient quantities at the same place and at the same time. A fire is an interaction of these three components in the form of an uninhibited chemical reaction (see [Figure 2](#)).

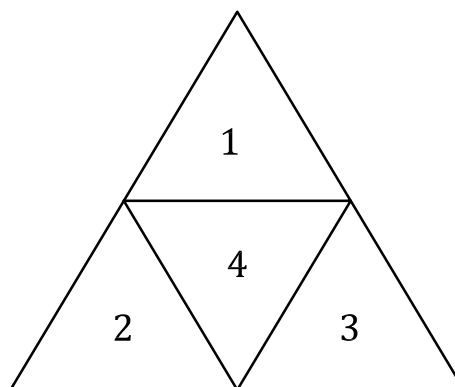
A fire can be prevented or suppressed by controlling or removing one or more of the components of the fire tetrahedron.

Certain materials are inherently unstable, extraordinary oxidizers or capable of self-heating. This affects the fire hazard.

Variation in oxygen concentration (e.g. oxygen enrichment) can also affect the fire hazard.

The fire hazard can arise from the material processed, used or released by the machinery, from materials in the vicinity of the machinery, or from materials used in the construction of the machinery.

NOTE An explosion hazard can exist in addition to the fire hazard.



Key

1 heat

2 oxygen

3 fuel

4 uninhibited chemical chain reaction

Figure 2 — Fire tetrahedron

4.2 Combustible materials

It shall be determined whether combustible materials exist or can exist and in what quantity and distribution. Combustible materials can occur as solids, liquids or gases.

The ease of combustion of materials is affected by the size, shape and deposition of the materials. For example, small pieces of a material loosely collected together can be more easily ignited than a large piece of that material. Also, the combination of materials can have an influence on the ignitability and the burning behaviour.

Consideration shall be given as to whether the properties of the materials can change over time or with use. Such changes can include the possibility of decomposition of the material releasing combustible gases and vapours. This can lead to an increased fire hazard.

4.3 Oxidizers

In assessing the fire hazard, the existence and quantity of fire-supporting substances, e.g. oxygen-producing substances, and the probability of their occurrence shall be determined. The most common oxidizer is air. But there are other oxidizers that support combustion, e.g. potassium nitrate (KNO_3), potassium permanganate (KMnO_4), perchloric acid (HClO_4), hydrogen peroxide (H_2O_2) and nitrous oxide (N_2O).

4.4 Ignition sources

It shall be determined which ignition sources exist or can occur.

Possible ignition sources can arise due to the influence of

- a) heat energy,
- b) electrical energy,
- c) mechanical energy, and/or
- d) chemical energy.

NOTE See [Annex A](#) for examples of ignition sources and [Annex B](#) for examples of machines and their typical fire related hazards.

5 Strategy for fire risk assessment and risk reduction

5.1 General

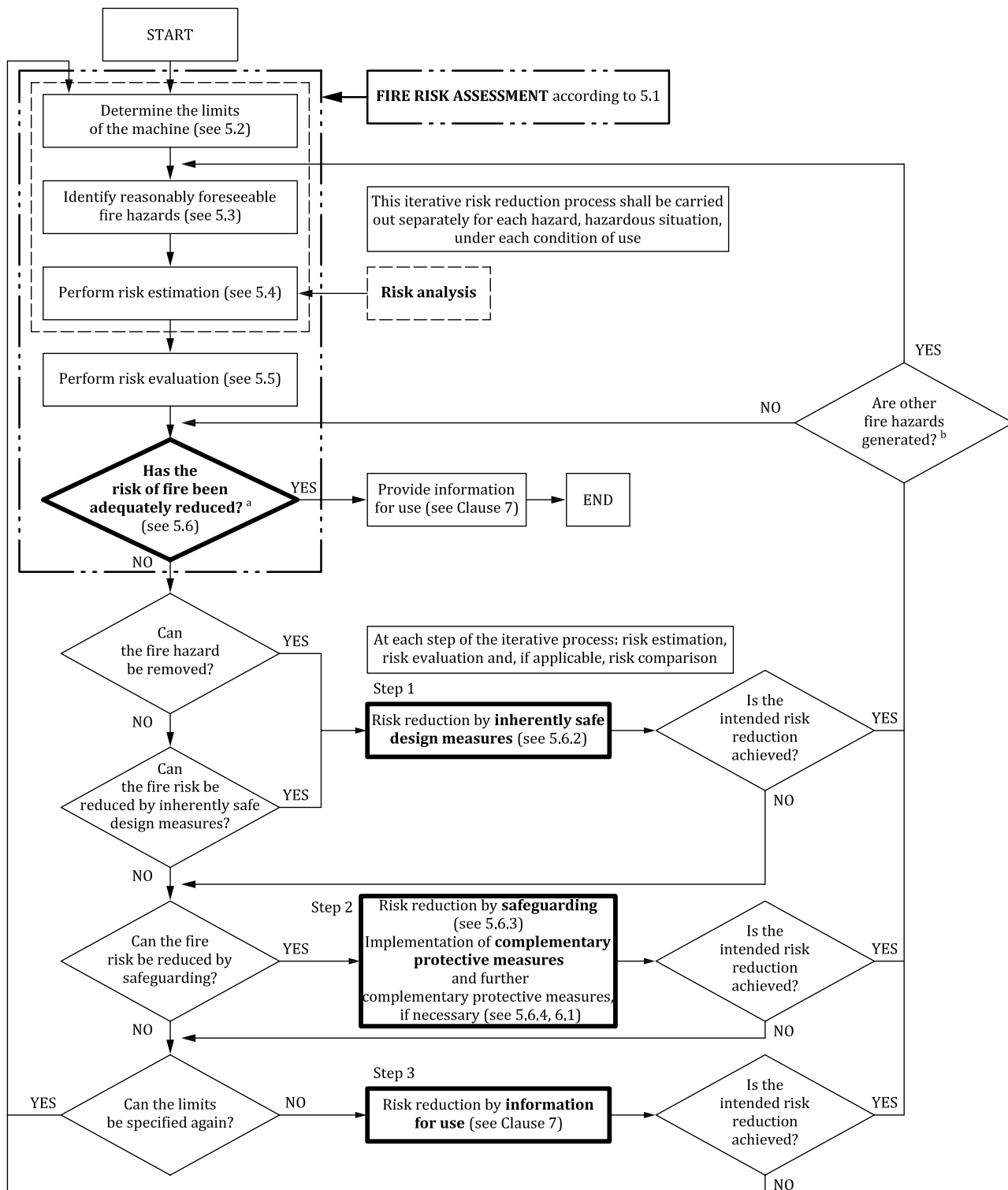
Fire risk assessment comprises a series of logical steps that allow systematic examination of fire hazards according to the procedures outlined in ISO 12100. Fire risk assessment includes the following sequential phases:

- a) fire risk analysis, comprising
 - 1) determination of the limits of the machinery (see [5.2](#)),
 - 2) identification of fire hazards (see [5.3](#)), and
 - 3) risk estimation (see [5.4](#)), and
- b) risk evaluation.

When deemed necessary risk evaluation is followed by risk reduction.

In planning fire prevention and protection measures, normal operating conditions – including start-up and standstill procedures, possible technical failures and reasonably foreseeable misuse – shall be taken into account.

The fire risk assessment and risk reduction shall be repeated as an iterative process until the risk of a fire occurrence has been adequately reduced. Risk analysis judgements shall be supported by a qualitative or, where appropriate, quantitative estimate of the risk associated with the hazards present on the machinery. See [Figure 3](#).



Key

- a The first time the question is asked, it is answered by the result of the initial risk assessment.
- b If the applied risk reduction generates other hazards than fire hazards, risk reduction methods according to ISO 12100 shall be applied.

Figure 3 — Schematic representation of fire risk reduction process including iterative three-step method (adopted from ISO 12100)

5.2 Determination of the limits of the machinery

Risk assessment shall include determination of the limits of the machinery, taking into account the phases of the machinery life that can involve fire hazards.

Examples of machine limits that are useful in fire risk assessment are as follows:

- intended use and reasonably foreseeable misuse of the machine;
- properties of materials processed by the machine;
- machine operating modes;
- anticipated levels of training, experience or ability of the machine operators, maintenance personnel, and where appropriate the general public;
- the level of awareness of fire hazards by those persons likely to be exposed to the fire hazards;
- the anticipated life of the machine and its components and the impact of aging with respect to creation of fire hazards;
- recommended service intervals;
- housekeeping and level of cleanliness as potential contributors to a fire hazard;
- the environment in which the machine is expected to be operated (e.g. dry, dusty, humid, hot, cold conditions).

5.3 Identification of fire hazards

Following the determination of the limits of the machinery, reasonably foreseeable fire hazards shall be identified, taking into consideration the phases of machinery life in which a fire hazard can be present.

NOTE See [Clause 4](#) for a general discussion on the nature of fire hazards.

All reasonably foreseeable fire hazards associated with the various uses of the machine shall be identified. The hazard can be identified according to the fire loads and ignition sources (see [Figure 4](#)).

For the determination of fire scenarios according to fire loads and ignition sources and for an estimation of the fire risk, the procedures outlined in ISO 12100 shall be followed. The procedure provides a sequence of logical steps allowing systematic examination of the fire hazards arising from the machinery and/or the work process, see [Figure 3](#).

Identification of fire hazards shall include the following steps:

- identification of intended and reasonably foreseeable operating conditions;
- identification of combustible and/or flammable materials that are related to the fire hazard (all materials involved in the machine and process, including raw and process materials);
- evaluation of their ignitability, flammability, combustibility, fire supporting effect and toxic issues;
- estimation of the fire load based on the main combustible materials (fuel);
- identification of all possible ignition sources (e.g. heat) that can contribute to an ignition event;
- identification of fire scenarios according to fire loads and ignition sources: all reasonably foreseeable scenarios that can lead to an ignition of the combustible and flammable materials, including scenarios brought about by human errors such as exchange of substances, improper operation of the machine, or improper maintenance.

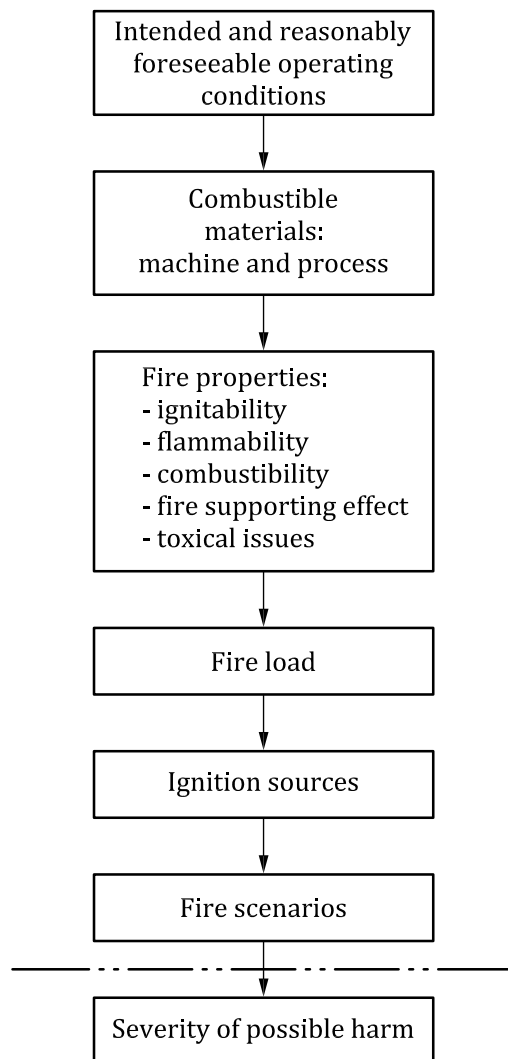


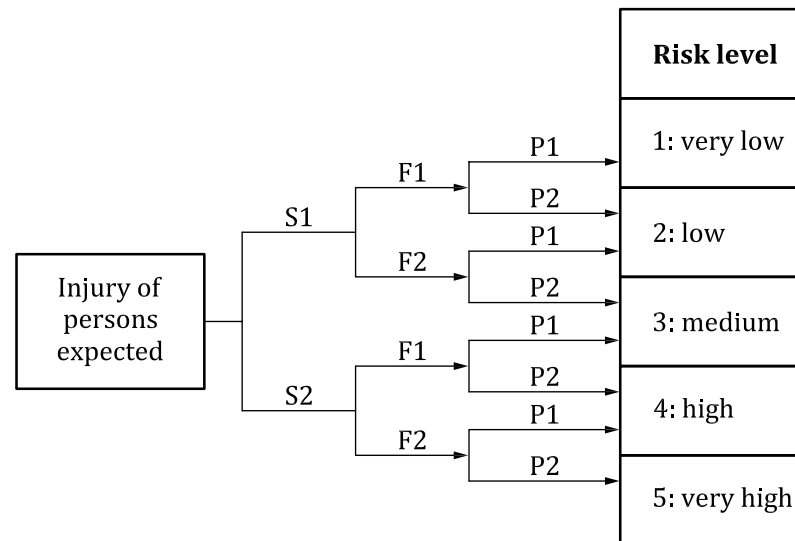
Figure 4 — Identification of significant fire hazards

5.4 Risk estimation

Once the fire hazards (fire scenarios) have been identified, the risk of occurrence of a fire shall be determined by estimation. Risk estimation provides information required for the risk evaluation, which in turn allows judgements to be made about whether or not risk reduction is required. Risk estimation depends on the existence of a fire hazard, the frequency at which the machine is exposed to the fire hazard, the probability of a fire occurring once exposure to hazard is present and the degree of possible harm.

The risk related to the fire hazard is a function of the severity of harm that can result from the fire hazard and the probability of occurrence of that harm. The risk graph given in [Figure 5](#) provides guidance for risk estimation.

NOTE Methodology equivalent to [Figure 5](#) can be used (see ISO/TR 14121-2).



Key

Risk parameters:

S1 slight severity of injury (normally reversible)

S2 serious severity of injury (normally irreversible or death)

F1 frequency: seldom to less often and/or short exposure time to hazard

F2 frequency: often to continuous and/or long exposure time to hazard

P1 possibility of avoiding hazard or limiting harm given under specific conditions

P2 avoiding hazard or limiting harm scarcely possible

Figure 5 — Estimation of the risk level

Analysis of fire risks shall include consideration of the following elements:

- the frequency that the machine is exposed to the fire hazard;
- information for use regarding fire preventive measures (e.g. operating instructions, signs on the machine);
- the likelihood that the machine operator will recognize a fire hazard and take intervention steps to eliminate or reduce the possibility of a fire;
- the likelihood that once an ignition takes place the fire can be detected by the operator or a sensor at an early stage;
- the extent of machine damage;
- the potential for operator or bystander injury and the most likely severity of such injury;
- the level of training of the operator with respect to fire hazard awareness and fire prevention practices.

5.5 Risk evaluation

After risk estimation has been completed, risk evaluation shall be carried out to determine if risk reduction is required. If risk reduction is required, then appropriate protective measures shall be selected and applied.

The adequacy of the risk reduction shall be determined after applying the technical fire prevention and protection measures stated in [5.6](#).

NOTE See also the “three-step method” given in ISO 12100:2010, Clause 6.

5.6 Risk reduction

5.6.1 General

If risk reduction measures are required, it shall be decided which protective measures shall be taken to reduce the risk of fire and/or to limit the effects of a fire.

After each protective measure is taken to reduce the risk of fire, a risk analysis shall be performed again until the machine is safe following the process given in ISO 12100.

Fire prevention and protection measures do not cover the overall risk at the machinery in question, and therefore care shall be taken to ensure that the protective measures applied do not create and/or increase other fire risks.

Adequate risk reduction is achieved when

- all operating conditions and intervention procedures have been considered,
- the risk of fire has been eliminated or reduced to the lowest acceptable level,
- any new fire risks introduced by the protective measures have been properly addressed,
- protective measures are compatible with one another, and
- the protective measures do not adversely affect the operator's working conditions or impede the function of the machine.

The objective of risk reduction can be achieved by applying fire prevention and protection measures as protective measures comprising, in order of priority, the following:

- a) inherently safe design measures (see [5.6.2](#));
- b) safeguarding (see [5.6.3](#));
- c) complementary protective measures (see [5.6.4](#) and [6.1](#));
- d) information for use (see [Clause 7](#)).

All protective measures to reach this objective shall be applied in the sequence given in [5.6.2](#) to [5.6.4](#), referred to as the "three-step method" (see also ISO 12100:2010, Clause 6).

5.6.2 Inherently safe design measures

5.6.2.1 The elimination or reduction of the risk of fire shall be primarily achieved by inherently safe design measures, as shown in [5.6.2.2](#) to [5.6.2.6](#).

5.6.2.2 Minimal use of combustible materials in the construction of a machine:

The selection of the materials shall be carried out according to the risk analysis (see [5.2](#) to [5.4](#)). In case that non-combustible materials are not applicable self-extinguishing materials and fire-protected materials should be used.

NOTE Such materials can be classified in accordance with EN 13501-1 as class A1, class A2 or class B.

5.6.2.3 Minimal use of flammable fluids or lubricants:

The selection of fluids shall be carried out according to the risk analysis (see [5.2](#) to [5.4](#)) taking into account the combustion and ignition properties of the process fluids used.

NOTE Data for non-water-miscible metalworking fluids to perform risk analysis are shown in [Table D.1](#) as an example.

5.6.2.4 Competent ignition sources:

The risk analysis shall include machine operation or process deviations that might lead to the generation of competent ignition sources. It shall be identified how such deviations are detected and/or controlled.

5.6.2.5 Use of materials in the construction of a machine that eliminate or minimize an adverse interaction with the materials produced by or used by the machine.

5.6.2.6 Machine design that shall avoid aggregation of combustible or fire supporting concentrations, or accumulations of raw material, intermediate product or finished product that exceed the amount required for normal operation of the machine.

If applicable, inclusion of information in the instruction manual regarding steps to be taken by the user to reduce or prevent the onset of fire, see [Clause 7](#).

5.6.3 Safeguarding

When it is not possible to eliminate hazards or sufficiently reduce risks by inherently safe design measures, consideration shall then be given to safeguarding to prevent persons from being exposed to the hazards.

Safeguarding comprises the following:

- a) limitation of the effects of fire (e.g. flames, heat and smoke), for example by shielding or enclosure of the machine to eliminate or minimize the risk of injury to persons and/or damage to property;
- b) containment or evacuation of hazardous components (e.g. dust, heat, smoke, toxicity);
- c) installation of measures against flame ejection and hot gases through openings of the machine (e.g. labyrinths, door gaps, opening for workpiece loading, see [D.3.8.1.2](#)).

The required performance level (PLr) of a safety-related part of a control system necessary for a safety function shall be determined according to ISO 13849-1.

5.6.4 Complementary protective measures

5.6.4.1 General

When inherently safe design measures and safeguarding do not reduce the risk of fire adequately, further risk reduction shall be achieved by applying complementary protective measures. The procedure to select the complementary protective measures is set out in detail in [Clause 6](#).

Preference shall be given to integrated fire detection and fire suppression systems.

5.6.4.2 Integrated fire detection and fire suppression systems

Integrated fire detection and fire suppression systems include devices for fire detection, control, alarm and extinguishing.

The control of the integrated fire detection and fire suppression systems shall be implemented according to ISO 13849-1.

The system shall include at least one safety function, for example, for

- a) the detection of a fire,
- b) the corresponding signal processing, and
- c) the activation of adequate measures (e.g. activation of fire suppression and/or fire alarm).

Depending on the risk analysis, the necessary safety function(s) and corresponding required performance level (PLr) shall be defined. See [Annex D](#) for list of safety functions.

NOTE 1 An example for the design of a fire suppression system integrated in machinery is given in [Annex C](#).

NOTE 2 An exemplary list of safety functions for machining centres for the machining of metallic materials is given in [Table D.2](#).

The extent of fire damage essentially depends on the fire load, the fire spreading and duration of the fire. The fire should be detected as soon as possible and the extinguishing procedure should be initiated with the minimum of delay following fire detection. If persons can be endangered by the use of a hazardous fire suppression agent (e.g. carbon dioxide, nitrogen) due regard shall be given to the safety of persons in the area of the machine and/or in the machine itself. These measures should be taken to ensure that a fire is extinguished or limited as far as possible to the area of its occurrence.

5.6.4.3 Further complementary protective measures

It can be necessary to provide further complementary protective measures for fire prevention and protection, examples are given below:

- automatic shut-down of the machinery and/or of auxiliary equipment, including blocking of all feeds to the machine, e.g. raw material, utilities and blocking of outgoing products;

The functions that are still required (e.g. cooling, emergency power supply) shall stay in service.

- emergency stop of the machinery according to ISO 13850;
- extinguishing opening in combination with extinguishing lance or a fire extinguisher;
- connection coupling for the supply of extinguishing agent, e.g. water or inerting gas;
- isolation of the protected area covered by the fire suppression system, e.g. by an enclosure or water curtain;
- installation of additional sensors and implementation of appropriate actions (that can detect smoke, combustion gases, heat or flames) at other locations with high fire risk.

The safety-related part of a control system required by a complementary protective measure shall comply with the required performance level (PLr) determined according to ISO 13849-1.

If necessary, retention or collecting devices for the fire effluents and extinguishing agents used in the event of a fire shall be provided.

6 Procedure for the selection of complementary protective measures

6.1 General

6.1.1 Use of the procedure

When inherently safe design measures and safeguarding do not reduce the risk of fire adequately further risk reduction shall be achieved by complementary protective measures.

For the selection of complementary protective measures, the procedure shown in [6.1.2](#) to [6.1.7](#) shall be used.

6.1.2 Determination of the residual risk level

Determine the residual risk level based on the possible injury of persons (see [Figure 4](#)).

6.1.3 Specification of requirements for the choice of fire detection and fire suppression system

Specify the requirements for fire detection and fire suppression based on the determined residual risk level.

6.1.4 Specification of safety and performance requirements

Specify the safety and performance requirements for the detection, alarm and activation of the fire suppression system.

6.1.5 Selection of system parts and suitable fire-extinguishing agent

Select individual system parts in accordance with the safety and performance requirements specified in 6.1.4 regarding suitability and reliability as well as the type, number, location, distribution of the system components. At the same time, select the required type and quantity of fire-extinguishing agent.

6.1.6 Decision on the need for further complementary protective measures

Check if further complementary protective measures are required because the remaining risk level is not acceptable (see 5.6.4.3).

6.1.7 Validation

Compare the performance of the fire prevention and protection system with the requirements established in 6.1.2. If the risk of fire has not been adequately reduced, repeat items 6.1.3 to 6.1.5.

6.2 Selection of the fire prevention and protection system in relation to the expected risk level

6.2.1 General

When selecting appropriate fire prevention and protection equipment the solutions according to Table 1 shall be used based on the risk level.

Table 1 — Fire detection and fire suppression solutions

Risk level according to Figure 5	Automatic pre-fire detection	Automatic fire detection	Fixed manual discharge suppression system	Fixed automatic discharge suppression system
1: very low	Optional	Optional	Optional	Optional
2: low	Optional	Optional	Required	Optional
3: medium	Optional	Required	Optional	Required
4: high	Optional	Required	Optional	Required
5: very high	Required	Required	Optional	Required

6.2.2 Injury to persons

Regarding injury to persons, a differentiation is required to establish the most likely severity of harm.

Five risk levels are defined analogous to ISO 13849-1 and shall be used to determine the suitable fire prevention and protection measures:

If risk level 1 is to be expected as a consequence of a fire at the machinery, all fire detection and fire suppression solutions given in Table 1 shall be provided optionally only.

If risk level 2 is to be expected as a consequence of a fire at the machinery, a fixed manual discharge suppression system shall be provided as a minimum.

If risk level 3 or 4 is to be expected as a consequence of a fire at the machinery, an automatic fire detection in combination with a fixed automatic discharge suppression system shall be provided.

If risk level 5 is to be expected as a consequence of a fire at the machinery, an automatic pre-fire detection and an automatic fire detection in combination with a fixed automatic discharge suppression system shall be provided.

Fire incidents that cause damage to property always involve hazards to persons because of gases, consequences of fire, fire spreading, extinguishing attempts, etc. Therefore, damages to property shall be taken into account since they represent a hazard to persons as well.

6.2.3 Safety considerations

When specifying the safety and performance requirements, the operating conditions for the use of the provided fire prevention and protection system shall be stated.

When manual systems are to be used in the event of an outbreak of a fire, procedures on how to properly and safely use the manual system, as well as other intervention procedures that should be taken by the equipment operator, should be included with the machine's information for use.

When automatic discharge suppression systems are used, their proper functioning shall be ensured for all foreseeable operating conditions (e.g. climatic conditions, smoke development, disturbances in energy supply, electromagnetic compatibility, device failures).

The machine control system and the fire detection and/or fire suppression system shall be capable of exchanging information to ensure that the functionality is not impaired. The machine control system shall support the functioning of the fire detection and/or fire suppression system and shall ensure that no new risks are generated. This can require "further complementary protective measures" (see [5.6.4.3](#)).

Alarm systems on machinery connected to a central alarm unit shall be compatible. The interface shall be described in the information for use.

6.2.4 Selection of system parts

The appropriate parts of the fire prevention and protection system shall be selected in accordance with [6.1.4](#). The designer shall demonstrate the reliability, compatibility and effectiveness of the parts used.

If necessary, dependent on the risk level, the whole or parts of the fire prevention and protection system shall be provided as a redundant system, based on the performance level specified in ISO 13849-1.

6.2.5 Selection of fire-extinguishing agent

The selection of the appropriate fire-extinguishing agent shall take into consideration factors such as

- type of fire,
- combustible materials, belonging to the machinery or processed by the machinery,
- location of the machinery,
- possible injury to persons, and
- possible damage to the environment.

The following four fire classes (see ISO 3941) shall be considered:

- A** fires involving solid materials, usually of an organic nature, in which combustion normally takes place with the formation of glowing embers, e.g. wood, paper, straw, coal, textiles, tyres;

- B** fires involving liquids or liquefiable solids, e.g. gasoline, grease, lacquer, resin, wax, tar, ether, alcohol;
- C** fires involving gases, e.g. methane, propane, hydrogen, town gas;
- D** fires involving metals, e.g. aluminium, magnesium, lithium, sodium, potassium and their alloys.

Taking into account these fire classes, appropriate fire-extinguishing agents shall be selected, such as

- water with or without additives, e.g. to change surface tension,
- foam,
- powder,
- fire-extinguishing gas, e.g. carbon dioxide, nitrogen, argon and mixtures of these,
- chemical fire-extinguishing agents, e.g. halon substitutes, and
- aerosols, e.g. fluids or solid substances in finely dispersed form.

The type and amount of distribution and discharge rate of the extinguishing agent shall be adapted to the expected fire, the machinery configuration and operating conditions, the spatial conditions and the extinguishing agent used. The quantity of extinguishing agent shall be sufficient to extinguish the expected fire or to keep it under control until other fire-fighting measures become effective (e.g. intervention of the fire brigade).

NOTE In some cases special approval can be necessary for the selected fire-extinguishing agent.

6.2.6 Validation

The purpose of validation is to check whether the safety and performance requirements as specified in [6.1.4](#) are met or complied with by the choice of the individual system components (fire detection and fire suppression systems and/or further complementary protective measures).

Furthermore, care shall be taken as to whether new hazards or risks are generated by the choice of the individual system components.

Finally, checks shall be made, using the risk analysis, as to whether the risk of a fire occurrence has been adequately reduced by the choice of the individual system components.

7 Information for use

Comprehensive documentation that is readily understandable and unambiguous shall be provided regarding the

- a) responsibilities of the user to keep the machinery, installations and the fire protection equipment in a proper condition and ready for operation,
- b) actions, inspections and verifications that shall be carried out after a fire incident, and
- c) need for training, required experience or ability of the machine operators and maintenance personnel.

Information regarding the commissioning, operation and maintenance of the fire prevention and protection measures with respect to the intended use of the machine, in accordance with ISO 12100:2010, 6.4, and warnings of residual fire risks, shall be provided.

The manufacturer of the machine shall state the installation requirements assumed for the machine, including its installation site.

If it is intended that the fire prevention and protection of the machinery at least partly relies on the fire protection system of the user, the interface between the machine and the system shall be specified and described in the operating instructions.

If gases (e.g. an oxygen displacing gas or a gas that creates a chemical reaction) are used as extinguishing agent for walkable installations, the instructions shall state that the following devices need to be considered by the user:

- blocking device for deactivation of extinguishing gas supply prior to entering the installation for cleaning, setting and maintenance activities (e.g. non-electrical or electrical shut-off device);
- delay device in case of hazards to persons (e.g. small rooms or rooms situated below).

If it is foreseeable that portable fire-extinguishing devices will be used for fire-fighting the instructions shall include recommendations on suitable devices and their safe use.

Annex A (informative)

Examples of ignition sources

A.1 Heat energy

This category of ignition sources includes, for example,

- heating installations,
- internal combustion engines,
- open light or fire,
- hot surfaces,
- welding spatter, and
- intensive radiation sources (e.g. laser).

A.2 Electrical energy

This category of ignition sources includes, for example,

- electrical lighting devices (e.g. lamps),
- electromagnetic radiation,
- short circuit,
- electrical arc,
- earth fault,
- conductor fault,
- lightning strike,
- discharges of static electricity,
- loose contact,
- excessive temperature rise due to overload,
- induction heating, and
- connection to inappropriate electrical supply.

A.3 Mechanical energy

This category of ignition sources includes, for example,

- friction (e.g. overheating),
- ultrasonic,

- impact,
- grinding, and
- compression (including adiabatic compression).

A.4 Chemical energy

This category of ignition sources includes, for example,

- self-heating,
- self-ignition such as pyrophoric materials, and
- runaway exothermic reaction.

Annex B (informative)

Examples of machines and their typical fire-related hazards

See [Table B.1](#).

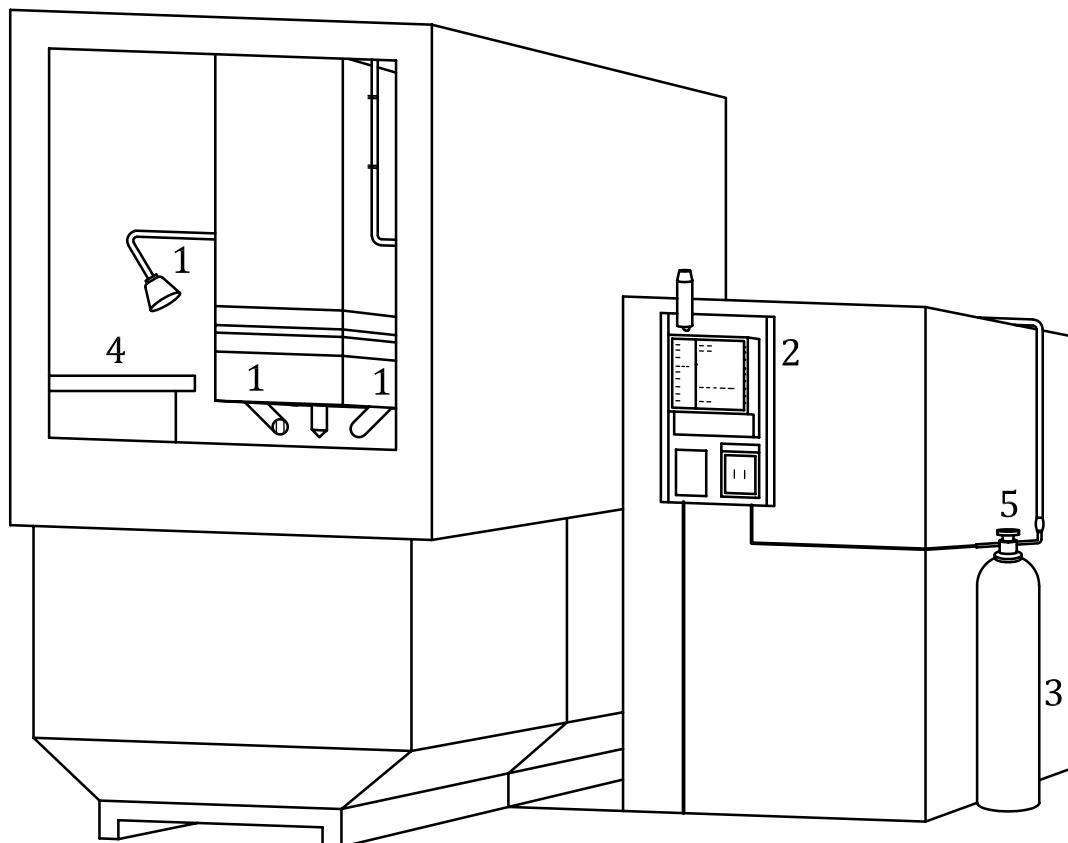
Table B.1 — Examples of machines and their typical fire-related hazards

Type of machine	Typical fire-related hazards
Machining centre	Tool breakage, shortage of metalworking fluid supply, short circuit
Drier	Hot surface
Conveying belt	Hot bearings, slip between belt and drive
Extruder	High temperature of fluid, high pressure
Paint booth	Generation of aerosols, electrostatic hazards
Mill	Friction, foreign material, overload
Pelletizer	Friction, overheating due to improper starting/stopping procedures, overloading
Wood-working machine	Friction, foreign material, overloading, tool breakage, inappropriate feed rate, overheating
Printing machine	Friction
Blasting unit	Sparks by foreign material, self-ignition
Textile machine	Friction, material build-up, overheating
Shredder	Friction, foreign material, overloading

Annex C (informative)

Example for the design of a fire suppression system integrated in machinery

See [Figure C.1](#).



Key

- 1 detector
- 2 central alarm control unit
- 3 storage unit for extinguishing agent
- 4 discharge pipework and nozzles
- 5 release unit

Figure C.1 — Example for the design of a fire suppression system integrated in machinery

Annex D (informative)

Example for the risk assessment and risk reduction of a machining centre for the machining of metallic materials

D.1 General

This example is provided to show how this International Standard can be applied to a specific machine. The intention of this example is to provide guidance for the user in how to follow the logic of this International Standard. It is not intended to specify specific solutions.

D.2 Operating conditions

The example describes an enclosed machining centre in industrial use for the chip-forming machining of metallic materials with non-water-miscible metalworking fluids (drilling, turning, grinding, milling).

The risk of fire depends on possible ignition sources and on the degree of emissions (concentration of flammable non-water-miscible metalworking fluids) in a machine (evaporation and mist formation). The degree of emissions is influenced by

- machining process, e.g. high-speed machining, high-speed cutting,
- machining parameters, e.g. feed, cutting speed ($m \cdot \text{min}^{-1}$),
- metalworking fluid supply, e.g. high pressure for deep hole drilling, and
- material characteristics, e.g. high alloyed steel that is difficult to machine, quality of material (strength, shrinking).

When planning protective measures for fire prevention and protection, normal operating conditions of the machine are determined, i.e. the usual intended operation including start-and-stop procedures as well as servicing and maintenance. In addition, possible technical failures and reasonably foreseeable misuse are included.

The chip-forming operation of light metals (e.g. magnesium) is not considered here since it requires specific measures. However, information on dealing with magnesium alloys is given.

D.3 Risk assessment and risk reduction

D.3.1 General

The risk assessment and risk reduction procedure is shown in [Figure D.1](#).

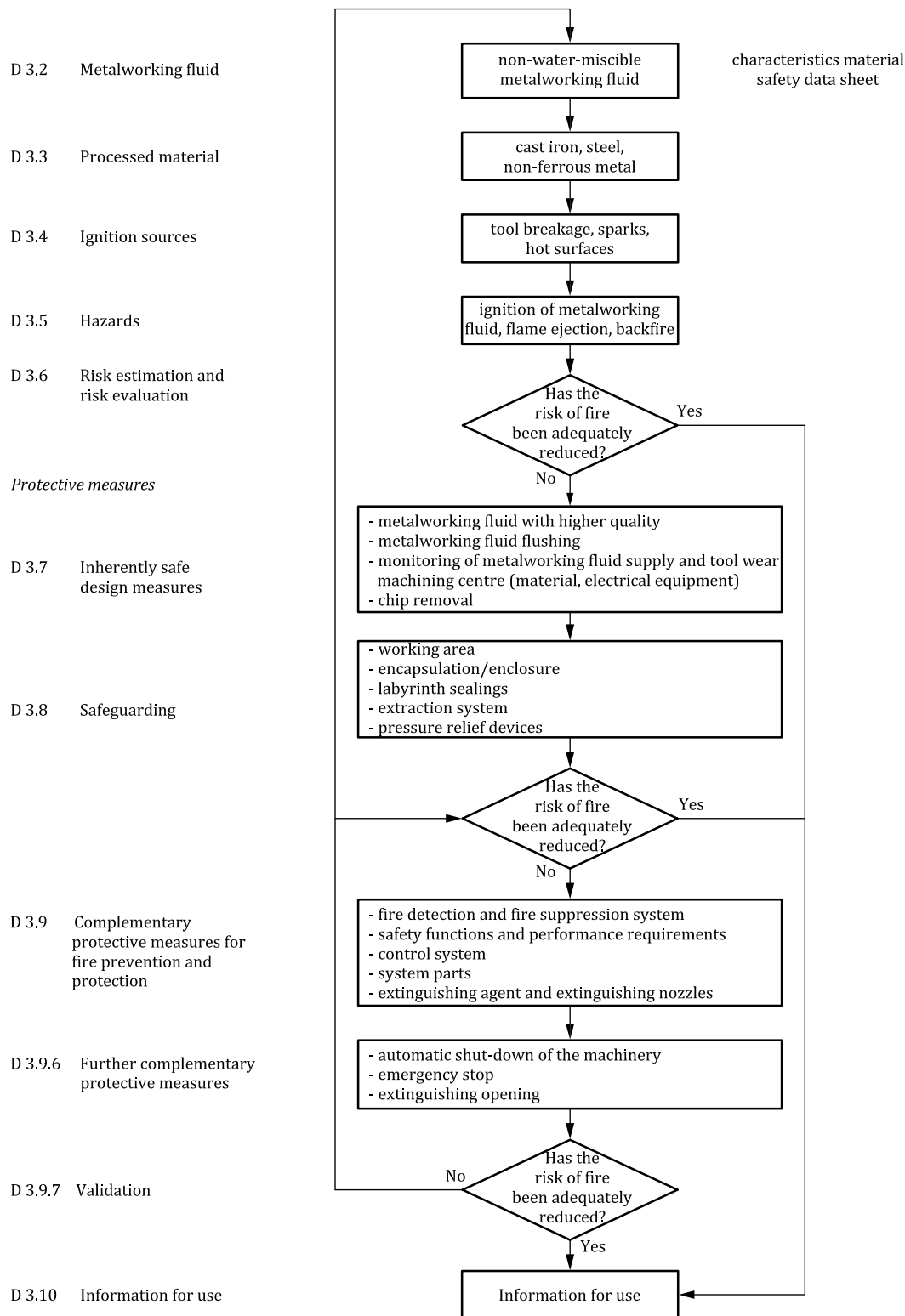


Figure D.1 — Risk assessment and risk reduction for the example of a machining centre

D.3.2 Selection of non-water-miscible metalworking fluids

The fire risk of non-water-miscible metalworking fluids is determined by their properties as shown in [Table D.1](#).

Table D.1 — Properties of non-water-miscible metalworking fluids

Tendency	Viscosity grade in accordance with ISO 3448	Viscosity at 40 °C $\text{mm}^2 \cdot \text{s}^{-1}$	Flashpoint in accordance with ISO 2592 °C	Evaporation loss at 250 °C in 1 h Noack procedure ^a %
Decreasing fire and explosion hazard ↓	ISO VG 5	4,14 to 5,06	> 120	< 85
	ISO VG 7	6,12 to 7,48	> 145	< 80
	ISO VG 10	9,0 to 11,0	> 155	< 60
	ISO VG 15	13,5 to 16,5	> 190	< 25
	ISO VG 22	19,8 to 24,2	> 200	< 15
	ISO VG 32	28,8 to 35,2	> 210	< 13
	ISO VG 46	41,4 to 50,6	> 220	< 11
^a See, for example, DIN 51581-1.				

Depending on the machining process, the most suitable metalworking fluid is selected by considering the following parameters:

- highest suitable viscosity for the intended machining process;
- lowest possible evaporation loss;
- highest possible flashpoint.

D.3.3 Processed material

The fire risk of material residues within the machine is determined by

- their size (coarse or fine chips), and
- their condition (wet or dry).

For light metal chips, the fire characteristics, e.g. combustibility index, should be determined or provided by the supplier of the processed material.

In order to minimize the risk of fire or to limit the consequences of fire, it is important to keep the fire load in the interior of the machine as low as possible. This can be achieved by efficient chip removal, for example

- chip discharge through flushing with metalworking fluid,
- chip removal through chain or chip conveyors, and
- regular cleaning and disposal of deposits in the interior of the machine.

D.3.4 Ignition sources

In most cases, machine fires are initiated by the following ignition sources:

- incorrect tool position leading to tool damage;
- incorrect process parameters (e.g. feed rate, tool speed);
- sparks with high energy (e.g. grinding sparks);
- overheated chips;
- hot surfaces (e.g. overheated tool or workpiece due to insufficient flow rate of metalworking fluid).

A reliable and sufficient cooling of the machining zone by metalworking fluid to avoid ignition sources can be ensured by the following measures:

- total wetting of the workpiece by metalworking fluid;
- selection of optimum metalworking fluid flow rate;
- monitoring of metalworking fluid flow rate and tool wear.

D.3.5 Hazards

The properties of metalworking fluid, the materials used, the potential ignition sources and the operating conditions can create hazards, including ignition of an aerosol consisting of metalworking fluid and air in the interior of the machining centre. The following hazards can be created:

- a) flame ejections through machine openings (e.g. door openings, gaps, loading and unloading openings or pressure relief openings);
- b) flame ejections into the extraction system or chip removal system;
- c) subsequent fire in the interior of the machine;
- d) subsequent fire propagation to adjacent machine areas, e.g. drive room, workpiece magazines, chip conveyor, extraction system;
- e) ignition of chips, in particular with light metals (e.g. magnesium, aluminium);
- f) fire propagation to other parts of the plant;
- g) formation of smoke and generation of hazardous combustion gases;
- h) backdraft when opening the door of the machine enclosure;
- i) re-ignition due to reintroduction of metalworking fluid when restarting the machine.

D.3.6 Risk estimation and risk evaluation

For all fire hazards (fire scenarios) identified in [D.3.5](#), depending on the operating conditions, the “risk level” is determined (see [5.4](#)).

The risk level is estimated by means of a risk graph that examines the severity of injury, the frequency and/or exposure time of the fire hazard and the possibility of avoiding hazard (see [Figure 5](#)).

Example of risk estimation: For hazard [D.3.5 a\)](#) “flame ejections through machine openings” in every case injury of persons can be expected. Assuming that the severity of injury is serious (S2), the frequency of occurrence is seldom to less often (F1) and avoidance of hazard or limiting the harm is scarcely possible (P2) a high risk level (risk level 4) results.

For hazards where the risk level is unacceptably high, fire prevention and protection measures are selected and applied to adequately reduce the risk of fire by using the three-step method (see [5.6.1](#)), starting with inherently safe design measures followed by safeguarding and complementary protective measures.

D.3.7 Inherently safe design measures

D.3.7.1 Hot surfaces and other ignition sources

D.3.7.1.1 Cooling by use of metalworking fluid

The metalworking fluid supply system (pipe and nozzle dimensioning, storage tank volume, pump capacity, sufficient heat dissipation, etc.) is designed in such a way that a sufficient amount of metalworking fluid is available to cool the cutting zone at all times by flushing.

Measures for the best possible cooling by use of metalworking fluid are

- total flushing with metalworking fluid at pressure and a velocity sufficiently low in the close vicinity of the cutting zone, and
- provision of more nozzles, if the waste material (chips and particles) generated is not sufficiently cooled at the point of generation.

The performance of the flushing nozzle (pressure, nozzle geometry and correct setting) is also relevant.

By the installation of additional nozzles and their arrangement as “metalworking fluid rinsing curtains”, mist volumes can be further minimized. It is necessary to correctly adjust and direct the nozzles towards the workpiece/cutting zone area (see [D.3.10](#)).

In some cases, additional cooling outside the working zone is needed to obtain sufficient cooling, e.g. in the chip conveyor.

D.3.7.1.2 Monitoring of the metalworking fluid supply and tool wear

Flow control devices (or, alternatively, switches for high and low pressure) and monitoring of the metalworking fluid temperature are mainly used to monitor the metalworking fluid supply.

By means of process monitoring, the ignition sources due to tool wear are recognized, e.g. by means of monitoring of structure borne noise or monitoring of the cutting force.

D.3.7.2 Chip removal

In order to avoid a fire or to limit its consequences, it is important to keep the “fire hazard” as low as possible, by means of, for example

- a) design measures in the interior of the machine that include
 - draining-off of cutting fluids by slightly sloped machine tops, and
 - avoidance of horizontal surfaces (areas with pool formation or chip accumulation).
- b) chip conveyance from the interior of the machine by
 - chip discharge through flushing with metalworking fluid, and
 - chip removal through chain or chip conveyors with motor monitoring.
- c) storage of chips in chip container where the
 - container is closed, if possible,
 - container is integrated in an extraction system through an extraction cover, and
 - information on regular emptying of container is in the operating instructions.

D.3.8 Safeguarding

D.3.8.1 Machining centre

D.3.8.1.1 Working area encapsulation and enclosure of the machining centres

Measures against hazardous pressure increase and fire within the enclosure comprise

- enclosure and working area encapsulation (doors, other covers) consisting of non-flammable metal materials,

- pressure resistant working area encapsulation including vision panels (dimensioning of strength above 60 mbar (see[12]),
- vision panels, for example made of polycarbonate (see e.g. ISO 23125),
- energy and supply lines (electric cables, metalworking fluid hose, hydraulic hose) preferably outside the working area, and
- electric installation with suitable ingress protection (IP) level (see IEC 60529).

The pressure relief is directed in areas where persons are not exposed to the hazard, e.g. to the top of the machine.

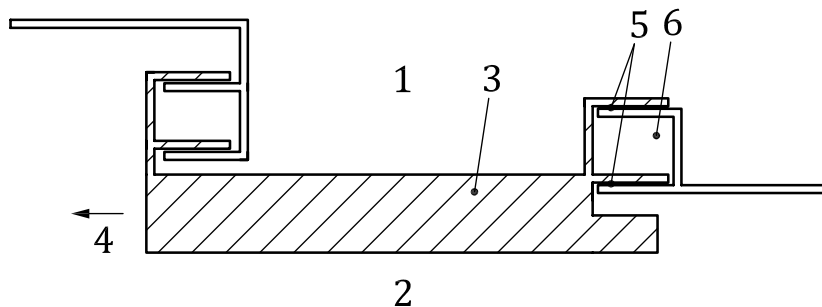
D.3.8.1.2 Labyrinth sealings against flame ejection from the machine

To reduce the hazard for the operator and the working area resulting from flame ejection, sliding doors are sealed by labyrinths.

Design characteristics of labyrinths resistant to the outbreak of flames (see [Figure D.2](#)) comprise

- narrowed gaps in case of pressure load,
- gap width max. 2 mm with sufficient overlapping,
- at least a two-time deflection ($2 \times 180^\circ$) of flow,
- adjustable gaps,
- no use of combustible materials (e.g. brushes), and
- door gaps: direction of labyrinth exit not towards operator.

For the purpose of personal protection, measures against shearing and crushing hazards are applied (e.g. edge protection).



Key

1	machining area	4	open
2	operator's side	5	deflection (gap)
3	sliding door	6	expansion

Figure D.2 — Design principle of door gaps at sliding doors of machining centre

The labyrinth sealing mentioned in [Figure D.2](#) works according to the principle of a multiple series connected deflection and expansion of the occurring flame.

Openings are sealed properly, e.g. by flaps or sliders that release the seal only during a workpiece or tool change.

D.3.8.2 Extraction system

D.3.8.2.1 General

Systems for the extraction of flammable air impurities are made of conductive or dissipative materials and are earthed, i.e. all metal objects within the workroom, including the ducting of the extraction system, are consistently connected to the protective earth conductor system.

In order to safely prevent metalworking fluid vapours and aerosols escaping from the machine and to avoid an ignition of escaping emissions, continuous low pressure inside the enclosure is ensured. The extraction capacity is selected so that the air motion is always directed towards the machining room. The extraction system is designed to achieve efficient exchange of air in the whole enclosure.

The control of the extraction flow is done by monitoring pressure or flow. If the required extraction rate is not achieved or, in case of failure, an error signal stops the machine automatically (safe state).

The extraction point (connector) in the machine interior is designed so that no coarser particles, metalworking fluid and chips can get into the extraction system and accumulate in the pipes. This is achieved by meeting the following criteria:

- reduction of introducing metalworking fluid droplets and chips into the extraction circuit by using baffle plates and/or mechanical pre-separators;
- position of extraction point as far away as possible from the machining zone;
- avoidance of lateral flows at the extraction point;
- consideration of the layout of metalworking fluid nozzles, nozzle placing, main atomization direction, chip flight when selecting the extraction point;
- lowest possible air velocity at the extraction point ($< 8 \text{ m} \cdot \text{s}^{-1}$).

Ducting is routed so that no introduced or condensed metalworking fluid can accumulate inside (e.g. slightly inclined). Cavities and uneven ducting are avoided (no use of folded spiral-seam ducts).

For the interior control of extended ducting (oil deposits and chip accumulations), control/inspection hatches are installed in sufficient quantity.

D.3.8.2.2 Avoidance of flames entering the ducting / extraction system

In order to prevent a fire in the extraction system and propagating to other areas a baffle plate in front of the extraction opening is used, either

- in combination with rapid-action shut-off valves, or
- in combination with a suitable flame suppressor in the extraction system.

The flame suppressor works according to the principle of a multiple series deflection and expansion of the occurring flames.

It is a passive system that does not require any external power supply and works similarly to the door labyrinths. The volume flow is monitored to detect any blockages.

D.3.8.3 Pressure relief devices

The ignition of the metalworking fluid/air mixture can lead to a pressure increase in the interior of the machining centre (max 60 mbar, see^[12]). In case of insufficient pressure resistance of the machine enclosure, the installation of a pressure relief device is necessary.

The pressure relief valve is installed in the cover of the machining centre, in order to

- relieve pressure as quickly and directly as possible, and

- direct flames and hot combustion gases to safe areas.

Fire loads are avoided in the safe area (see [Clause 7](#)).

The response pressure of relief devices fitted to the machining centre is very low (e.g. < 5 mbar). The device only opens briefly and shuts back closed.

The function and suitability as safeguard are subject of a manufacturer's proof (e.g. by a test).

D.3.9 Complementary protective measures for fire prevention and protection

D.3.9.1 General

Since the risk of fire cannot be adequately reduced by means of inherently safe design and/or safeguarding, complementary protective measures for fire prevention and protection (see [6.1](#)) are required in order to limit the consequences of fire.

D.3.9.2 Determination of the residual risk level

The following hazards still remain:

- a fire is limited to the housing of the machining centre but flames can still escape (opening, insufficient seals);
- toxic gases (smoke or hazardous combustion gases) can be generated in case of a fire. They can be released and represent a hazard to the operator;
- backfire is possible if the doors are opened due to reasonably foreseeable misuse.

To determine the residual risk level [Figure 5](#) is used (see [5.4](#)).

For the example machining centre a risk level of 4 (high) for the residual risk was found. The corresponding path is S2-F1-P2.

D.3.9.3 Selection of fire detection and fire suppression system

The selection is based on the risk level. [Table 1](#) (see [6.2.1](#)) shows the required equipment and optional solutions.

A risk level of 4 requires a minimum of automatic fire detection and fixed automatic discharge suppression system; as an option automatic pre-fire detection and fixed manual discharge suppression system are possible.

D.3.9.4 Application of safety functions and performance requirements

See [5.6.4.2](#) and [6.2.3](#).

For the fire-related switch and control functions, safety functions are described. For the given example of a machining centre the applicable safety functions (SF1 to SF8) are shown in [Table D.2](#). For further details about safety functions and their PLr see ISO 13849-1.

Table D.2 — Description of safety functions

Number	Description of safety function
SF1	Prevention of backfire by keeping doors closed at detection of fire
SF1a	Detection of a fire by the sensors
SF1b	Keeping doors closed by means of guard locking
SF2	Shut-down of metalworking fluid supply at detection of fire
SF3	Shut-down of local extraction system or seal-off from the local extraction system at detection of fire
SF4	Stopping of machining process at detection of fire (incl. stopping of the chip conveyor which can convey burning chips)
SF5	With enclosure door open, the activation of the fire suppression process with oxygen displacing gases is prevented
SF6	The machine operation is only possible when all fire-related safety functions are ready to run
SF7	Activation of alarm signal at detection of fire
SF8	Activation of fire suppression system at detection of fire

D.3.9.5 Selection of system parts and suitable fire-extinguishing agents

D.3.9.5.1 Fire detection sensors

For the detection of fire one or more of the following sensors are used:

- thermal fire detection sensors (e.g. thermal sensors or thermostats);
- optical fire detection sensors (with spectral response suitable for the application of fire characteristics);
- gas detectors.

The suitability of any sensor used is verified for the application.

D.3.9.5.2 Extinguishing agent

Out of list of extinguishing agents given in [6.2.5](#) oxygen displacing gas (CO₂) is used in this example.

As oxygen displacing gas is used as extinguishing agent and, because the machining centre is not walkable, a blocking device is not used.

If the machine is placed in a small room where high CO₂ concentrations (e.g. more than 5 %) are possible a delay device is installed as well.

D.3.9.5.3 Placement of extinguishing nozzles

The injection points of the extinguishing nozzles are placed for an efficient distribution of the extinguishing agent avoiding direct injection towards doors.

D.3.9.5.4 Control system of the fire detection and fire suppression system

The control system is chosen to be compatible with the selected sensors, the selected fire suppression system and the implemented safety functions.

The fire control system is independent from the control system of the machining centre. Both exchange information by means of an interface.

D.3.9.5.5 Additional system parts

Optical and acoustical alarming devices are used.

If necessary, a blocking device and a delay device (see selection of extinguishing agent) are used.

D.3.9.6 Further complementary protective measures

Further complementary protective measures are selected (see [5.6.4.3](#)):

- automatic shut-down of the machinery and/or of auxiliary equipment, including blocking of all feeds to the machine, e.g. raw material, utilities and blocking of outgoing products. The functions that are still required, e.g. cooling, emergency power supply, are in service;
- emergency stop of the machinery according to ISO 13850;
- extinguishing opening in combination with extinguishing lance or a fire extinguisher;
- connection coupling for the supply of extinguishing agent, e.g. water or inerting gas;
- isolation of the protected area covered by the fire suppression system, e.g. by an enclosure or water curtain;
- installation of additional sensors and implementation of appropriate actions (that can detect smoke, combustion gases, heat or flames) at other locations with high fire risk.

D.3.9.7 Validation

It is checked whether the intended risk reduction has been achieved. If not, [D.3.9.2](#) to [D.3.9.6](#) is repeated.

NOTE In this example it is assumed that no new hazards have been created due to the implemented measures. If new hazards have been created, the whole risk assessment and risk reduction process is repeated.

D.3.10 Information for use

Information for use comprises

- a) general information, i.e.
 - 1) definition of intended operation,
 - 2) specification of limits of operation and inadmissible conditions,
 - 3) conditions for the installation of the machine,
 - 4) instructions for commissioning, operation (e.g. adjustment of the metalworking fluid nozzles towards the workpiece/cutting zone area, metalworking fluid care), maintenance, standstill and decommissioning,
 - 5) training of personnel,
 - 6) determination of fire protection measures that are not integrated in the machine and that have to be taken by the user (provision fire extinguisher, fire blankets, ban on smoking, training of employees, information of fire brigades, etc.), and
 - 7) warning about residual risk, e.g. information on hazards resulting from pressure relief devices:
 - i) release of jet flames (hazard for the surrounding of the machine);
 - ii) release of carbon dioxide;

- iii) no flammable materials (wooden crates, insulation, etc.) located above the pressure relief valve.
- b) Information on treatment/disposal of consumables into the metalworking fluid circuit of the machining centre:
 - 1) introduction of tramp oils and residues, such as
 - i) machine cleaning and care products,
 - ii) cleaning agents and solvents on workpieces, and
 - iii) tramp oils,
 - 2) information on regular emptying of chip container.

Annex E (informative)

Fire risk reduction measures

See [Figure E.1](#)

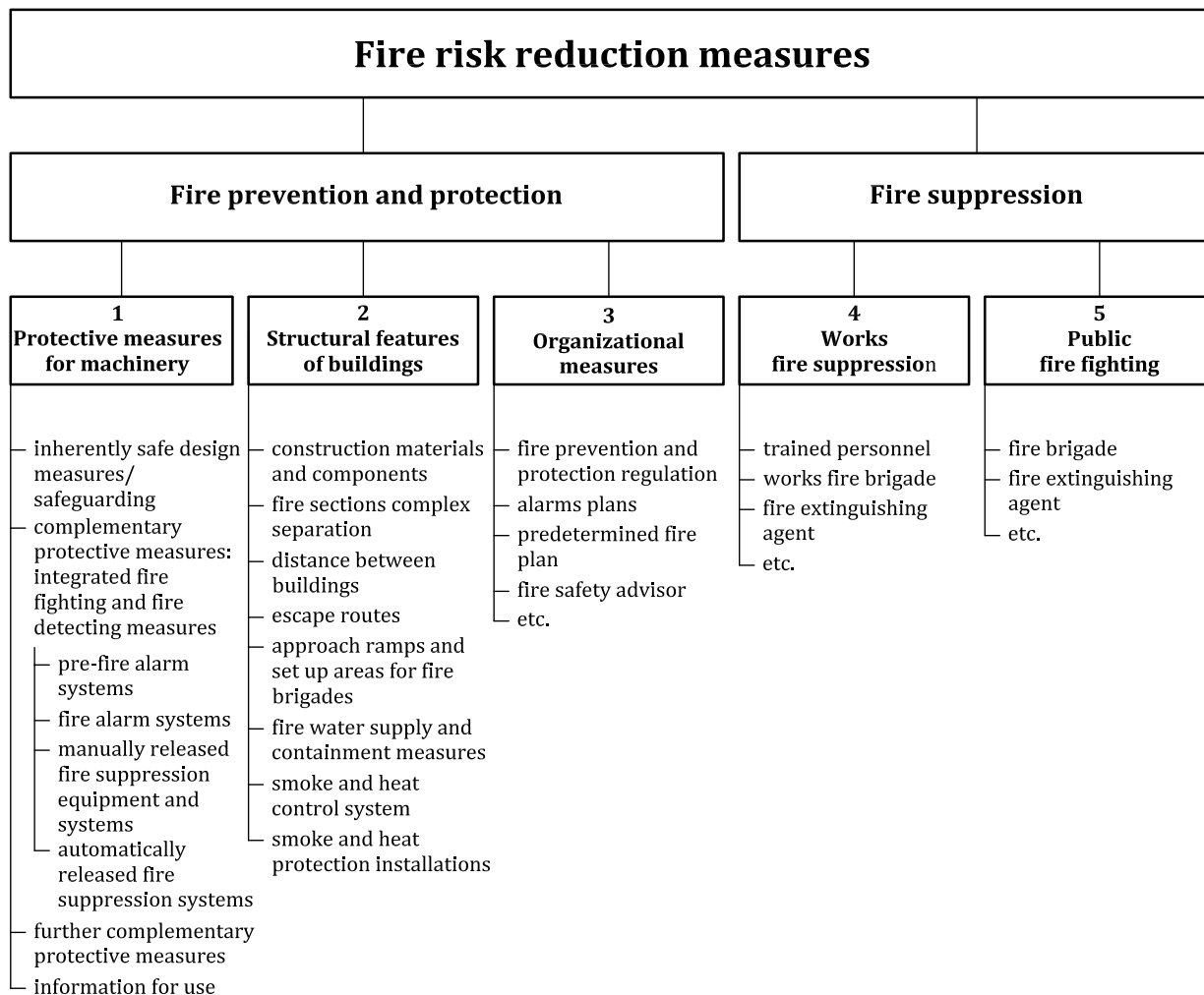


Figure E.1 — Fire risk reduction measures

Bibliography

- [1] ISO 2592, *Determination of flash and fire points — Cleveland open cup method*
- [2] ISO 3448, *Industrial liquid lubricants — ISO viscosity classification*
- [3] ISO 3941, *Classification of fires*
- [4] ISO 8421-1:1987, *Fire protection — Vocabulary — Part 1: General terms and phenomena of fire*
- [5] ISO 13943:2008, *Fire safety — Vocabulary*
- [6] ISO 13850, *Safety of machinery — Emergency stop — Principles for design*
- [7] ISO/TR 14121-2, *Safety of machinery — Risk assessment — Part 2: Practical guidance and examples of methods*
- [8] ISO 23125, *Machine tools — Safety — Turning machines*
- [9] IEC 60529, *Degrees of protection provided by enclosures (IP Codes)*
- [10] EN 13501-1, *Fire classification of construction products and building elements — Part 1: Classification using data from reaction to fire tests*
- [11] DIN 51581-1, *Prüfung von Mineralölerzeugnissen – Bestimmung des Verdampfungsverlustes – Teil 1: Verfahren nach Noack*
- [12] *Fire and explosion tests at machine tools with flammable metalworking fluids*. Final report on ignition tests inside a machine tool at the Institut für Sicherheitstechnik GmbH IBExU, Freiberg. 2007

British Standards Institution (BSI)

BSI is the national body responsible for preparing British Standards and other standards-related publications, information and services.

BSI is incorporated by Royal Charter. British Standards and other standardization products are published by BSI Standards Limited.

About us

We bring together business, industry, government, consumers, innovators and others to shape their combined experience and expertise into standards-based solutions.

The knowledge embodied in our standards has been carefully assembled in a dependable format and refined through our open consultation process. Organizations of all sizes and across all sectors choose standards to help them achieve their goals.

Information on standards

We can provide you with the knowledge that your organization needs to succeed. Find out more about British Standards by visiting our website at bsigroup.com/standards or contacting our Customer Services team or Knowledge Centre.

Buying standards

You can buy and download PDF versions of BSI publications, including British and adopted European and international standards, through our website at bsigroup.com/shop, where hard copies can also be purchased.

If you need international and foreign standards from other Standards Development Organizations, hard copies can be ordered from our Customer Services team.

Subscriptions

Our range of subscription services are designed to make using standards easier for you. For further information on our subscription products go to bsigroup.com/subscriptions.

With **British Standards Online (BSOL)** you'll have instant access to over 55,000 British and adopted European and international standards from your desktop. It's available 24/7 and is refreshed daily so you'll always be up to date.

You can keep in touch with standards developments and receive substantial discounts on the purchase price of standards, both in single copy and subscription format, by becoming a **BSI Subscribing Member**.

PLUS is an updating service exclusive to BSI Subscribing Members. You will automatically receive the latest hard copy of your standards when they're revised or replaced.

To find out more about becoming a BSI Subscribing Member and the benefits of membership, please visit bsigroup.com/shop.

With a **Multi-User Network Licence (MUNL)** you are able to host standards publications on your intranet. Licences can cover as few or as many users as you wish. With updates supplied as soon as they're available, you can be sure your documentation is current. For further information, email bsmusales@bsigroup.com.

Revisions

Our British Standards and other publications are updated by amendment or revision.

We continually improve the quality of our products and services to benefit your business. If you find an inaccuracy or ambiguity within a British Standard or other BSI publication please inform the Knowledge Centre.

Copyright

All the data, software and documentation set out in all British Standards and other BSI publications are the property of and copyrighted by BSI, or some person or entity that owns copyright in the information used (such as the international standardization bodies) and has formally licensed such information to BSI for commercial publication and use. Except as permitted under the Copyright, Designs and Patents Act 1988 no extract may be reproduced, stored in a retrieval system or transmitted in any form or by any means – electronic, photocopying, recording or otherwise – without prior written permission from BSI. Details and advice can be obtained from the Copyright & Licensing Department.

Useful Contacts:

Customer Services

Tel: +44 845 086 9001

Email (orders): orders@bsigroup.com

Email (enquiries): cservices@bsigroup.com

Subscriptions

Tel: +44 845 086 9001

Email: subscriptions@bsigroup.com

Knowledge Centre

Tel: +44 20 8996 7004

Email: knowledgecentre@bsigroup.com

Copyright & Licensing

Tel: +44 20 8996 7070

Email: copyright@bsigroup.com

BSI Group Headquarters

389 Chiswick High Road London W4 4AL UK

