

# Acoustics — Application of new measurement methods in building and room acoustics

The European Standard EN ISO 18233:2006 has the status of a  
British Standard

ICS 91.120.20

## National foreword

This British Standard was published by BSI. It is the UK implementation of EN ISO 18233:2006.

The UK participation in its preparation was entrusted by Technical Committee EH/1, Acoustics, to Subcommittee EH/1/6, Building acoustics.

A list of organizations represented on EH/1/6 can be obtained on request to its secretary.

This publication does not purport to include all the necessary provisions of a contract. Users are responsible for its correct application.

**Compliance with a British Standard cannot confer immunity from legal obligations.**

This British Standard was published under the authority of the Standards Policy and Strategy Committee on 31 October 2006

© BSI 2006

ISBN 0 580 49362 8

### Amendments issued since publication

| Amd. No. | Date | Comments |
|----------|------|----------|
|          |      |          |
|          |      |          |
|          |      |          |
|          |      |          |

ICS 91.120.20

English Version

Acoustics - Application of new measurement methods in building  
and room acoustics (ISO 18233:2006)

Acoustique - Application de nouvelles méthodes de mesure  
dans l'acoustique des bâtiments et des salles (ISO  
18233:2006)

Akustik - Anwendung neuer Messverfahren in der Bau- und  
Raumakustik (ISO 18233:2006)

This European Standard was approved by CEN on 19 May 2006.

CEN members are bound to comply with the CEN/CENELEC Internal Regulations which stipulate the conditions for giving this European Standard the status of a national standard without any alteration. Up-to-date lists and bibliographical references concerning such national standards may be obtained on application to the Central Secretariat or to any CEN member.

This European Standard exists in three official versions (English, French, German). A version in any other language made by translation under the responsibility of a CEN member into its own language and notified to the Central Secretariat has the same status as the official versions.

CEN members are the national standards bodies of Austria, Belgium, Cyprus, Czech Republic, Denmark, Estonia, Finland, France, Germany, Greece, Hungary, Iceland, Ireland, Italy, Latvia, Lithuania, Luxembourg, Malta, Netherlands, Norway, Poland, Portugal, Romania, Slovakia, Slovenia, Spain, Sweden, Switzerland and United Kingdom.



EUROPEAN COMMITTEE FOR STANDARDIZATION  
COMITÉ EUROPÉEN DE NORMALISATION  
EUROPÄISCHES KOMITEE FÜR NORMUNG

Management Centre: rue de Stassart, 36 B-1050 Brussels

## **Foreword**

This document (EN ISO 18233:2006) has been prepared by Technical Committee ISO/TC 43 "Acoustics" in collaboration with Technical Committee CEN/TC 126 "Acoustic properties of building elements and of buildings", the secretariat of which is held by AFNOR.

This European Standard shall be given the status of a national standard, either by publication of an identical text or by endorsement, at the latest by December 2006, and conflicting national standards shall be withdrawn at the latest by December 2006.

According to the CEN/CENELEC Internal Regulations, the national standards organizations of the following countries are bound to implement this European Standard: Austria, Belgium, Cyprus, Czech Republic, Denmark, Estonia, Finland, France, Germany, Greece, Hungary, Iceland, Ireland, Italy, Latvia, Lithuania, Luxembourg, Malta, Netherlands, Norway, Poland, Portugal, Romania, Slovakia, Slovenia, Spain, Sweden, Switzerland and United Kingdom.

### **Endorsement notice**

The text of ISO 18233:2006 has been approved by CEN as EN ISO 18233:2006 without any modifications.

INTERNATIONAL  
STANDARD

**ISO**  
**18233**

First edition  
2006-06-01

---

---

**Acoustics — Application of new  
measurement methods in building and  
room acoustics**

*Acoustique — Application de nouvelles méthodes de mesurage dans  
l'acoustique des bâtiments et des salles*



Reference number  
ISO 18233:2006(E)



# Contents

Page

|  |           |
|--|-----------|
| Foreword.....  | iv        |
| Introduction .....   | v         |
| <b>1</b> <b>Scope</b> .....  | <b>1</b>  |
| <b>2</b> <b>Normative references</b> .....                             | <b>1</b>  |
| <b>3</b> <b>Terms definitions and abbreviated terms</b> .....          | <b>1</b>  |
| <b>3.1</b> <b>Terms and definitions</b> .....                          | <b>1</b>  |
| <b>3.2</b> <b>Abbreviated terms</b> .....                              | <b>2</b>  |
| <b>4</b> <b>Designations</b> .....                                     | <b>2</b>  |
| <b>4.1</b> <b>Maximum length sequence method (MLS)</b> .....           | <b>2</b>  |
| <b>4.2</b> <b>Swept-sine method (SS)</b> .....                         | <b>2</b>  |
| <b>5</b> <b>Theory</b> .....   | <b>2</b>  |
| <b>5.1</b> <b>General</b> .....  | <b>2</b>  |
| <b>5.2</b> <b>Sound in a room</b> .....                                | <b>3</b>  |
| <b>5.3</b> <b>Sound transmission between two rooms</b> .....           | <b>5</b>  |
| <b>5.4</b> <b>Using the frequency response function</b> .....          | <b>6</b>  |
| <b>6</b> <b>Measurement of the impulse response</b> .....              | <b>7</b>  |
| <b>6.1</b> <b>General</b> .....  | <b>7</b>  |
| <b>6.2</b> <b>Excitation signal</b> .....                              | <b>7</b>  |
| <b>6.3</b> <b>Measurement of the response</b> .....                    | <b>9</b>  |
| <b>7</b> <b>Measurement of the frequency response function</b> .....   | <b>14</b> |
| <b>8</b> <b>Precision</b> .....  | <b>14</b> |
| <b>9</b> <b>Test report</b> .....                                      | <b>15</b> |
| <b>Annex A</b> (normative) <b>Maximum length sequence method</b> ..... | <b>16</b> |
| <b>Annex B</b> (normative) <b>Swept-sine method</b> .....              | <b>20</b> |
| <b>Bibliography</b> .....  | <b>26</b> |

## Foreword

ISO (the International Organization for Standardization) is a worldwide federation of national standards bodies (ISO member bodies). The work of preparing International Standards is normally carried out through ISO technical committees. Each member body interested in a subject for which a technical committee has been established has the right to be represented on that committee. International organizations, governmental and non-governmental, in liaison with ISO, also take part in the work. ISO collaborates closely with the International Electrotechnical Commission (IEC) on all matters of electrotechnical standardization.

International Standards are drafted in accordance with the rules given in the ISO/IEC Directives, Part 2.

The main task of technical committees is to prepare International Standards. Draft International Standards adopted by the technical committees are circulated to the member bodies for voting. Publication as an International Standard requires approval by at least 75 % of the member bodies casting a vote.

Attention is drawn to the possibility that some of the elements of this document may be the subject of patent rights. ISO shall not be held responsible for identifying any or all such patent rights.

ISO 18233 was prepared by Technical Committee ISO/TC 43, *Acoustics*, Subcommittee SC 2, *Building acoustics*.



## Introduction

Stochastic signal analysis methods for the measurement of sound transmission phenomena started to be developed around 1960, but lack of available computing power excluded the use of these methods outside the best equipped research laboratories.

The development of digitizing circuitry, powerful personal computers and the use of digital signal processing components in sound measuring equipment for field use, have made the application of measuring equipment based on extended digital signal analysis readily available. Dedicated instruments, as well as specialized software used on general computers, currently apply such methods and are already widely used.

The new methods bring a number of advantages compared to the well-established classical methods, such as suppression of background noise and extended measurement range. However, there is also risk of unreliable results if certain guidelines are not followed. The new methods may demonstrate larger sensitivity to time-variations and change in the environmental conditions than the classical methods.

This International Standard is developed to give requirements and guidelines for the use of new measurement methods in building and room acoustic measurements, but can also be used in the construction of measuring equipment for the implementation of the methods.

As even an experienced user of equipment based on classical methods may be unaware of the difficulties and limitations for some applications of the new methods, the user is encouraged to develop a deeper understanding of the theoretical bases for the new methods. Instrument manufacturers are also encouraged to give further guidelines for applications and to make it an objective to design instruments that give warnings when results are not reliable.

This International Standard gives guidelines and requirements for the application of new methods for the measurement of sound insulation in buildings and building elements and for the measurement of reverberation time and related quantities. Reference is made to the standards for the classical methods regarding what to measure, the number and the selection of measurement points, and the conditions for measurements.



# Acoustics — Application of new measurement methods in building and room acoustics

## 1 Scope

This International Standard gives guidelines and specifies requirements for the application of new methods for the measurement of the acoustic properties of buildings and building elements. Guidelines and requirements for selection of the excitation signal, signal processing and environmental control are given, together with requirements for linearity and time-invariance for the systems to be tested.

This International Standard is applicable to such measurements as airborne sound insulation between rooms and of façades, measurement of reverberation time and other acoustic parameters of rooms, measurement of sound absorption in a reverberation room, and measurement of vibration level differences and loss factor.

This International Standard specifies methods to be used as substitutes for measurement methods specified in standards covering classical methods, such as ISO 140 (all parts), ISO 3382 (all parts) and ISO 17497-1.

## 2 Normative references

The following referenced documents are indispensable for the application of this document. For dated references, only the edition cited applies. For undated references, the latest edition of the referenced document (including any amendments) applies.

IEC 61260, *Electroacoustics — Octave-band and fractional-octave-band filters*

IEC 61672-1, *Electroacoustics — Sound level meters — Part 1: Specifications*

## 3 Terms definitions and abbreviated terms

### 3.1 Terms and definitions

For the purposes of this document, the following terms and definitions apply.

#### 3.1.1

##### **classical method**

conventional method of measurement where the resulting sound pressure levels or decay rates are determined directly from the recorded responses to random noise or impulse signals

#### 3.1.2

##### **new method**

measurement method in which various deterministic signals can be used to first obtain the impulse response of the system under test and from which the required sound pressure levels and decay rates can be obtained

**NOTE** The new methods may have additional, intentional features such as giving results under situations where no result is obtained by the classical method. The new methods may, for instance, be more immune to noise from other sources.

### 3.1.3

#### **effective signal-to-noise ratio**

##### **signal-to-noise ratio**

ten times the logarithm to the base 10 of the ratio of the mean-square value of the signal part caused by the excitation and obtained by the new method, to the mean-square value of the unwanted part of the signal obtained by the same method and caused by sources other than the excitation

NOTE 1 The effective signal-to-noise ratio is expressed in decibels.

NOTE 2 The effective signal-to-noise ratio is used as a substitute for the normal signal-to-noise ratio when establishing procedures for the new method based on a classical method.

### 3.1.4

#### **peak-to-noise ratio**

ten times the logarithm to the base 10 of the ratio of the squared peak value of the signal part caused by the excitation and obtained by the new method, to the mean-square value of the unwanted part of the signal obtained by the same method and caused by other sources than the excitation

NOTE The effective peak-to-noise ratio is expressed in decibels.

### 3.1.5

#### **fractional-octave band**

frequency range, in hertz, from lower to higher band edge frequency for a fractional-octave-band filter as specified in IEC 61260

NOTE Both full-octave- and fractional-octave-band filters are designated fractional-octave-band filters.

## 3.2 Abbreviated terms

MLS Maximum length sequence method

SS Swept-sine method

## 4 Designations

### 4.1 Maximum length sequence method (MLS)

An MLS method in accordance with this International Standard shall be designated as "ISO 18233-MLS".

### 4.2 Swept-sine method (SS)

An SS method in accordance with this International Standard shall be designated as "ISO 18233-SS".

## 5 Theory

### 5.1 General

The transmission of sound within a room as well as the transmission of sound between rooms may normally be considered as a close approximation to a linear and time-invariant system. The general theory applicable to such systems may therefore be used to establish the relationship between excitation and response for the sound transmission.

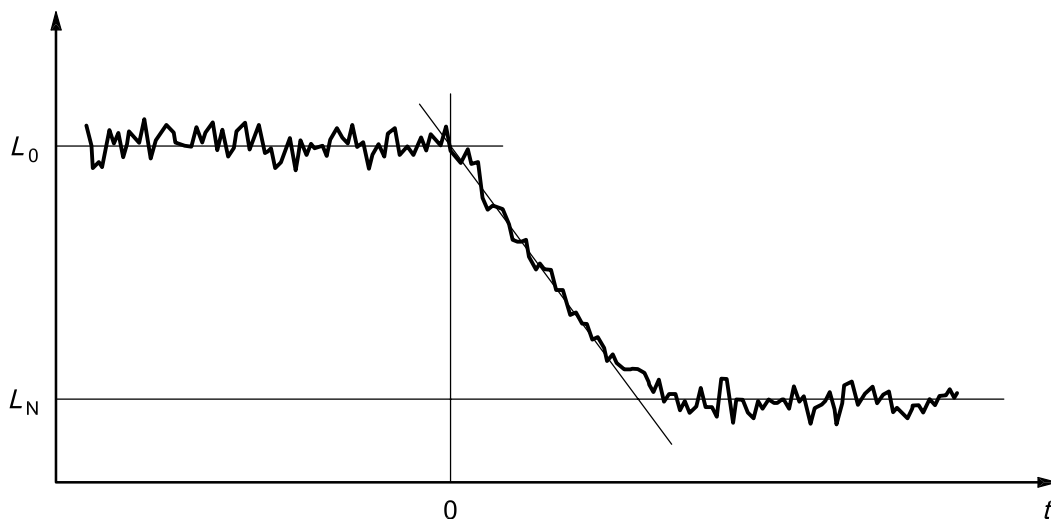
The impulse response is the basis of all measurements. The methods are applicable to the velocities measured on structures as well as to sound pressures measured in rooms.

## 5.2 Sound in a room

The scope of Parts 3 to 5 of ISO 140 and of Parts 9 to 12 of ISO 140 is to specify methods to measure the airborne sound insulation for building elements and the insulation between dwellings. ISO 3382 (all parts) specifies the measurement of reverberation time. In order to measure these quantities, the sound pressure level and the reverberation time in rooms by the application of noise excitation shall be measured.

For the measurement of reverberation time, the noise source is switched on for a time sufficient to obtain a steady level. The source is thereafter switched off, and the decay of the sound in the room is observed. The time for switching the noise off is set to  $t = 0$  in this International Standard.

A recording of the sound pressure level versus time will, in general, contain information on the obtained stationary sound pressure level in the room as well as the reverberation time. A typical level versus time diagram is shown in Figure 1. The stationary sound pressure level before the sound source is switched off is given by the recording for  $t < 0$ , and information about the decay will be given for  $t \geq 0$ . The decay may be further processed to obtain the reverberation time.



### Key

$L_0$  stationary noise level before the excitation is switched off

$L_N$  background noise level

$t$  time

NOTE The excitation is switched off at time  $t = 0$ .

**Figure 1 — Typical level versus time curve**

The classical methods for the measurement of airborne sound in rooms, defined in the ISO 140 and ISO 3382 series, specify a stochastic signal for the excitation. Although the room in most cases may be described as a deterministic system, statistical spread from the random excitation will lead to a certain stochastic variation in the result, which may be characterized by a standard deviation. Therefore, averaging of more measurements is normally needed to obtain results close to the stochastically expected values. Such averaging may for the classical method be combined with the spatial averaging needed to obtain a mean value for the room.

The methods described in this International Standard intend to obtain measurement values in fractional-octave bands. Requirements and guidelines are selected accordingly.

It has been shown (Reference [6]) that the expected decay in one particular observation point may be obtained without averaging, by processing the impulse response between the excitation signal (loudspeaker)

and the observation point (microphone) directly. This holds for the decay curve and the stationary levels as long as the system is linear and time-invariant. The theory may be extended and applied to sound in the source room, to sound in the receiving room, and to the transmission from the source to the receiving room.

The measured response in the classical method based on noise excitation may, in theory, be described as a convolution between the excitation signal and the impulse response of the room. However, in the classical method with noise excitation, the response is recorded directly and information about the impulse response is normally not known.

According to the new methods described in this International Standard, the results may be obtained from processing of the impulse response itself.

NOTE 1 The impulse response is normally the combined impulse response of the system, consisting of amplifiers, transducers, applied filters, and the enclosure between the transmitting and the receiving points.

Several methods may be applied to obtain the impulse response or the frequency response function, which is linked to the impulse response by Fourier transformation. All such methods may be used if they are able to demonstrate reliable results within normal measurement conditions.

When a room has been excited by stationary white noise for a time sufficient to obtain stationary conditions and the noise is thereafter switched off at the time  $t = 0$ , the expected level at any time  $t \geq 0$  will be [6]:

$$L(t) = 10 \lg \left[ \frac{W_0}{C_{\text{ref}}} \int_t^{\infty} h^2(t) dt \right] \text{ dB} \quad (1)$$

where

$W_0$  is a constant specifying the signal power per unit bandwidth of the excitation signal;

$h(t)$  is the impulse response;

$C_{\text{ref}}$  is an arbitrary selected reference value for the level calculation.

The decay corresponds to the expected decay based on the classical method, which conventionally is approximated by a straight line.

NOTE 2 Due to the fact that the running time,  $t$ , is the lower start point for the integration, the operation in Equation (1) may be described as backwards integration. In an alternative form of the formula, the integral starts at  $+\infty$  and runs backwards to the actual time. Historically, this was achieved using analog technology by playing a tape with the recorded response in the reverse direction.

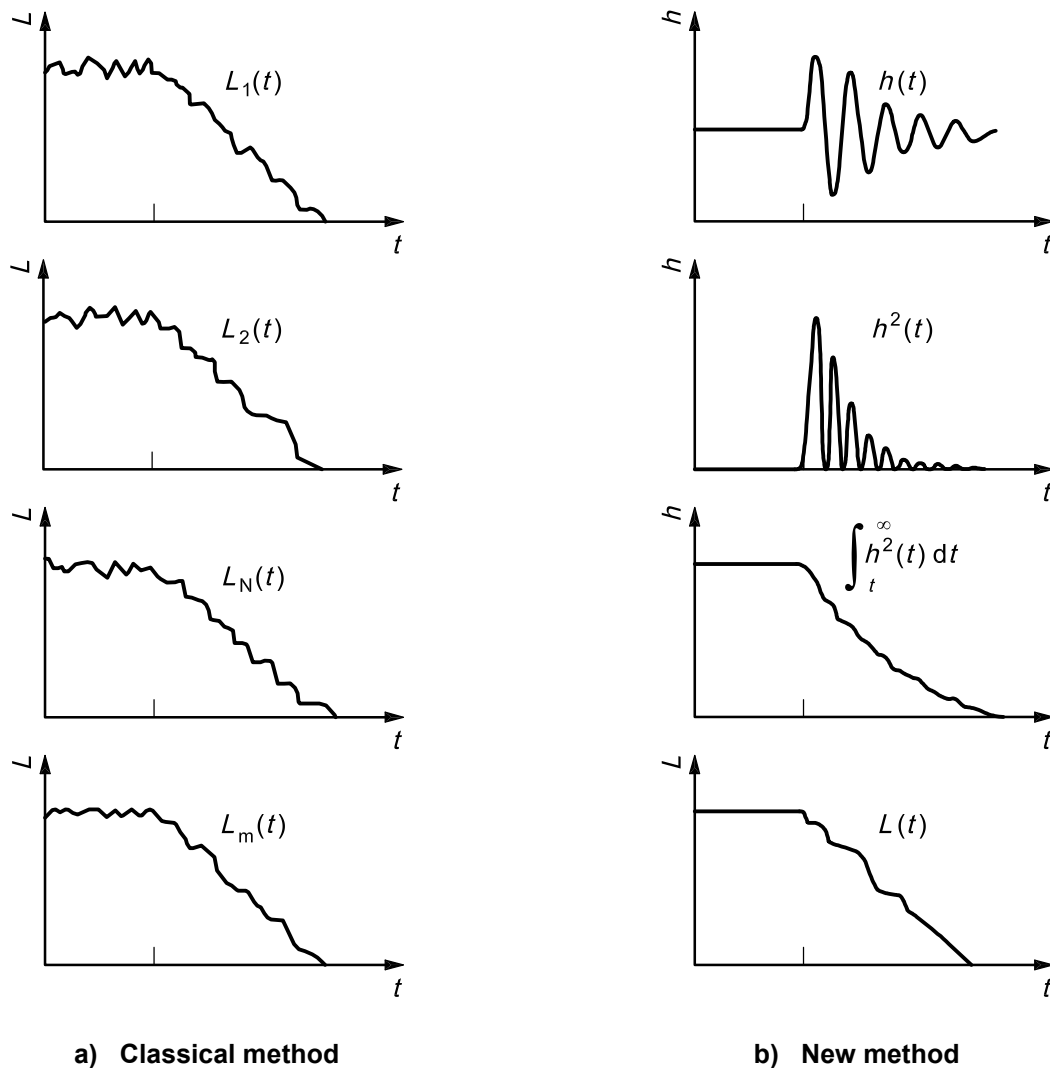
Equation (1) does not consider the extraneous noise normally accompanying a measurement.

When a fractional-octave-band filter is a part of the measured system, Equation (1) will describe the expected decay according to the classical method for the applied filter band.

Equation (1) may be used to compute the expected level at any time after the signal source was switched off. It may also be used to obtain the expected mean level before the excitation was switched off,  $L_0$ . The level may be obtained from Equation (1) by setting  $t = 0$ :

$$L_0 = 10 \lg \left[ \frac{W_0}{C_{\text{ref}}} \int_0^{\infty} h^2(t) dt \right] \text{ dB} \quad (2)$$

Figure 2 illustrates how the level versus time function is obtained by the classical and the new method.

**Key**

- $L$  sound level  
 $h$  impulse response  
 $t$  running time

NOTE In the classical method, an approximation,  $L_m(t)$ , of the expected decay is found by averaging (ensemble) a number of individual decays,  $L_1(t)$ ,  $L_2(t)$ , ...  $L_N(t)$ , based on noise excitation. By application of the new method, the expected decay,  $L(t)$ , is found by processing the impulse response  $h(t)$ .

**Figure 2 — Illustration of the difference between classical and new method**

### 5.3 Sound transmission between two rooms

If a noise source is placed in a source room and the sound pressure level is measured at a point S, the expected level,  $L_1$ , may according to Equation (2) be obtained from the impulse response between the excitation point and the point S:  $h_1(t)$ .

$$L_1 = 10 \lg \left[ \frac{W_0}{C_{\text{ref}}} \int_0^\infty h_1^2(t) dt \right] \text{ dB} \quad (3)$$

In a similar way, if the sound level is measured in an adjacent receiving room at a point R, the expected level,  $L_2$ , may be obtained from the impulse response between the excitation point and the point R:  $h_2(t)$ .

$$L_2 = 10 \lg \left[ \frac{W_0}{C_{\text{ref}}} \int_0^{\infty} h_2^2(t) dt \right] \text{ dB} \quad (4)$$

The expected sound level difference,  $D$ , between the source and the receiver room may therefore be computed as:

$$D = L_1 - L_2 = 10 \lg \left[ \frac{\int_0^{\infty} h_1^2(t) dt}{\int_0^{\infty} h_2^2(t) dt} \right] \text{ dB} \quad (5)$$

The variable describing the excitation power,  $W_0$ , is eliminated in the result for the level difference as the arbitrary chosen reference  $C_{\text{ref}}$ .

NOTE The new methods specified in this International Standard can also be applied to the measurement of sound insulation of façades. In this context one of the measurement positions will be an outdoor position.

#### 5.4 Using the frequency response function

A sinusoidal signal has a unique position in the theory of signals and linear time-invariant systems. If the transients formed when signals are switched on and off are disregarded, the response for such a system to a sinusoidal excitation will always be sinusoidal with the same frequency. The amplitude (gain) and the phase may, however, change. Information about the change of amplitude and phase between input and output as a function of frequency is called the frequency response function of the system. The frequency response function will, as the impulse response, give full information about the response to any input signal. The frequency response function may be obtained from the impulse response by Fourier transformation.

Equation (2) may be transformed by the application of Parseval's theorem:

$$W_0 \int_0^{\infty} h^2(t) dt = \frac{W_0}{2\pi} \int_{-\infty}^{\infty} |H(\omega)|^2 d\omega \quad (6)$$

where

$\omega$  is the angular frequency;

$H(\omega)$  is the frequency response function obtained by the Fourier transformation of the impulse response  $h(t)$ :

$$H(\omega) = \mathbf{F}\{h(t)\} = \int_{-\infty}^{\infty} h(t)e^{-j\omega t} dt \quad (7)$$

where  $j = \sqrt{-1}$

NOTE In Equation (6), it is assumed that  $h(t) = 0$  for  $t < 0$ , which will be the case for a physical, causal system.



Equation (6) shows that only the modulus of the frequency response function may be used for the level calculation. This is in contrast to the measurement of reverberation time, where both the phase and modulus of the frequency response function are required.

By combining Equations (5) and (6), the expected sound level difference,  $D$ , between the source room and the receiving room may be computed from the frequency responses for the rooms. The expected sound level difference for a fractional octave band with lower band edge frequency  $f_1 = \frac{\omega_1}{2\pi}$  and upper band edge frequency  $f_2 = \frac{\omega_2}{2\pi}$  will be given by:

$$D = L_1 - L_2 = 10 \lg \left[ \frac{\int_{\omega_1}^{\omega_2} |H_1(\omega)|^2 d\omega}{\int_{\omega_1}^{\omega_2} |H_2(\omega)|^2 d\omega} \right] \text{ dB} \quad (8)$$

## 6 Measurement of the impulse response

### 6.1 General

The impulse response for a room will typically be an oscillatory signal with a large number of periods. The envelope of the signal will be irregular but typically have a fast attack-time and an exponential decay.

The impulse response may be measured as the response of the room to a very short acoustic pulse. However, it will in most cases where sources other than a loudspeaker are used, be difficult to have sufficient control of the spectral content and the directional characteristics of the excitation.

To obtain the required control of the excitation signal, the impulse response is in most practical cases obtained by digital signal processing. The room is excited by a known signal for a certain time and the impulse response is calculated from the response to the excitation. The excitation signal is distributed over a longer period of time to increase the total radiated energy. This procedure will enhance the achievable dynamic range and reduce the influence of extraneous noise.

Several methods for the measurement of the impulse response are described in the literature, see References [6] to [8] and [13] to [15] in the Bibliography.

For measurements of the impulse response, movement of the source or the microphones is not acceptable as it will violate the requirement for time-invariance. The impulse response of a room is formed by a complex interaction of sound waves reflected between the floor, ceiling and walls of the room. Between the reflections, the air in the room influences the transmission. Movement of the air or change in the speed of sound (temperature) may also violate the requirement for time-invariance.

### 6.2 Excitation signal

#### 6.2.1 General

In the classical methods, random noise or an impulse with a bandwidth at least equal to the bandwidth of the measurement channel is required. The random nature of the noise will give a stochastic distribution of the measured levels and will limit the repeatability of the measurement. The new methods apply deterministic excitation signals, i.e. they can be accurately reproduced, and thereby enhance the repeatability of the measurement.

## 6.2.2 Spectral requirements

### 6.2.2.1 General

The effective frequency range of the excitation signal shall at least cover the actual fractional-octave band being measured. If a broad-band measurement covering the whole audio range is being performed, the aim is to approximate the shape of the spectrum of the excitation signal, as captured at the receiver position, to that of the ambient noise prevailing there. By this, a frequency-independent signal-to-noise ratio will be obtained. The typical sources of background noise (air-conditioning, traffic, etc.) tend to have a spectral distribution that increases with decreasing frequency. For this reason, the excitation signal should feature an emphasis at lower frequencies when room impulse responses are to be measured.

In many of these cases, a pink excitation signal (with constant energy per fractional-octave band) is suitable to obtain a sufficient signal-to-noise ratio.

In sound insulation measurements, however, the sound reduction index normally increases at higher frequencies, making it necessary to increase the energy of the excitation signal in this range.

The most sophisticated emphasis scheme would involve compensating the acoustical power response of the measurement loudspeaker and adapting to the spectral distribution of the background noise. A smoothed version of the latter, multiplied by the inverted speaker response, confined to the intended frequency range, can be used as a template for the generation of a suitable excitation spectrum.

### 6.2.2.2 Repetitive excitation

If a repetitive excitation signal is used, the spectrum of the excitation will consist of narrow spectral lines where the distance between adjacent lines,  $\Delta f$ , will be given as the inverse of the time for one repetition period  $T_{\text{REP}}$ :

$$\Delta f = \frac{1}{T_{\text{REP}}} \quad (9)$$

In order to ensure that all modes of the room are excited, the repetition period shall not be shorter than the reverberation time,  $T$ , for the room being measured. This requirement applies to the measurement of reverberation time as well as level differences:

$$T_{\text{REP}} \geq T \quad (10)$$

**NOTE** Each room mode may be approximated by a second-order band-pass function with a certain quality factor (Q-factor). A larger Q-factor means a narrower frequency response and a longer decay after excitation has ceased. For a second-order function with bandwidth ( $-3$  dB),  $B$ , in hertz, the virtual reverberation time will be approximately  $(2,2/B)$ . The requirement for the repetition time ensures that at least two spectral lines of excitation fall within the bandwidth of any room mode.

### 6.2.2.3 Non-repetitive excitation

A non-repetitive excitation signal may be of any suitable length. However, the excitation shall be succeeded by a period of silence in order to allow the decaying response to be properly recorded. The decay shall be recorded over a period equal to at least half of the reverberation time. For a sweep excitation from a low to a high frequency as described in Annex B, the required length of the period of silence will normally be determined by the reverberation time for the higher frequencies.

## 6.2.3 Level and linearity

The sound power in the excitation shall be sufficiently high to obtain an effective signal-to-noise ratio satisfying the requirements given in the International Standard specifying the applicable classical method.

Methods involving deterministic excitation signals are generally more efficient at suppressing extraneous noise than the classical method. Enhancement of the signal-to-noise ratio by 20 dB to 30 dB or more compared to the classical method may be obtainable.

The use of loudspeakers typically introduces non-linear distortion in the system. Distortion violates the requirement for linearity in this method. Distortion due to the loudspeaker increases with the excitation level. The user shall be aware of the problem and experiment with the excitation level to obtain the optimum signal-to-noise ratio. Sometimes the signal-to-noise ratio may be increased by reducing the excitation level. This needs special consideration with the MLS method as described in Annex A. When properly established, the swept-sine method described in Annex B allows elimination of artefacts in the measurement result caused by harmonic distortion.

The region where the impulse response decays into the noise floor will usually be the most affected by non-linearities. This makes the measurement of reverberation more vulnerable to the effect of distortion than the measurement of level differences.

#### **6.2.4 Directivity**

The directivity for the source shall comply with the requirements given in the applicable classical method.

#### **6.2.5 Number of source positions**

The number of source positions shall comply with the requirements given in the applicable classical method.

### **6.3 Measurement of the response**

#### **6.3.1 Transducers for measurement**

Transducers for the measurement, normally measurement microphones, shall comply with the requirements given in the applicable classical method.

#### **6.3.2 Frequency weighting**

The methods in Annex A and Annex B describe the measurement of broadband impulse responses. The broadband impulse responses shall be further processed to obtain the fractional-octave-band weighted impulse response for the required range of frequency bands.

Although Equations (1) to (5) are general, the impulse responses in these formulas shall be fractional-octave-band weighted in order to produce results valid for fractional-octave bands.

In principle, the fractional-octave-band weighted impulse response is obtained as the output from a fractional-octave-band filter, as specified in IEC 61260, to the response of the broadband impulse response.

When selecting methods to perform the requested frequency weighting, precautions shall be taken to ensure that the tolerances for the frequency weighting are within the requirements stated in IEC 61260 for the appropriate class of filters as specified in the classical method. Sampling frequency shall be selected and precautions against effects from frequency aliasing shall be taken accordingly.

For excitation with repetitive signals, the response is recorded with the time and frequency resolution set by the requirements for the excitation signal and with a length equal to one or more periods of the excitation signal.

For non-repetitive excitation and measurement of level, the recorded part of the response shall cover the time from the start of excitation to the time where the response in each fractional octave band has decayed by more than 30 dB. For the measurement of reverberation time with non-repetitive excitation, the record shall at least cover the part of the decay required in the applicable classical method.

#### **6.3.3 Level linearity and dynamic range**

The signal processing shall have sufficient resolution and dynamic range to comply with the requirements for level linearity as specified in IEC 61672-1.

Measurement equipment made for obtaining the result by the new method can normally not be tested as conventional sound measuring equipment. In general, the microphone signal is digitized and the result is

obtained by digital processing on the samples representing the microphone signal. Proper operation of the microphone and digitizing circuitry can often be verified by conventional testing, but not the entire calculation process. The accuracy of the digital processing is considered to be determined by the design of the equipment and not affected by ageing or changes in the environmental conditions of operation as long as valid results are presented.

It is recommended to validate the design and operation of the system by making measurements where the results can be compared to results obtained by the classical method. Measurements at fixed positions in rooms where the acoustical conditions are well controlled may be used. However, a time-invariant system with electrical input and output signals may be more convenient. Such a system may be a digital reverberator without time modulation. The validation should be performed with the range of possible reverberation times. The performance of the measuring equipment in reduced signal-to-noise ratios may be investigated by adding broadband random noise to the analog input or output signals.

It is recommended to test the microphone and digitizing circuitry as well as the excitation generator at regular intervals, as appropriate (periodic verification).

### 6.3.4 Crosstalk

The application of deconvolution measurement techniques allows measurements with large dynamic ranges, often including levels that extend below the level of extraneous noise. Even levels below the inherent noise levels in microphones and the measurement system may be measured. Care shall therefore be taken to eliminate influence from unwanted signal paths, such as electrical crosstalk. Cables for the excitation, such as loudspeaker cables, shall be located far away and screened from microphone cables. Even internal crosstalk in the instrumentation, normally buried in the self-noise, may show up.

Sufficient immunity from crosstalk may be demonstrated by substituting the normal transducer (microphone) with a dummy device having very low sensitivity to the signal to be measured.

A display of the impulse response, if available, may indicate a possible crosstalk problem. Sound signals are normally delayed, even the direct sound, due to the speed of sound and distance between the source and the receiver. Crosstalk signals, being electrical signals, are normally not delayed. To exclude the influence of any residual crosstalk, windowing may be applied at the beginning of the impulse response to attenuate any non-acoustical components.

### 6.3.5 Limits for the time integration

#### 6.3.5.1 Measurement of level

Equation (2) specifies an infinitely long integration period. This is neither possible nor wanted. The length of the recorded impulse response will give the maximum value for the upper integration limit.

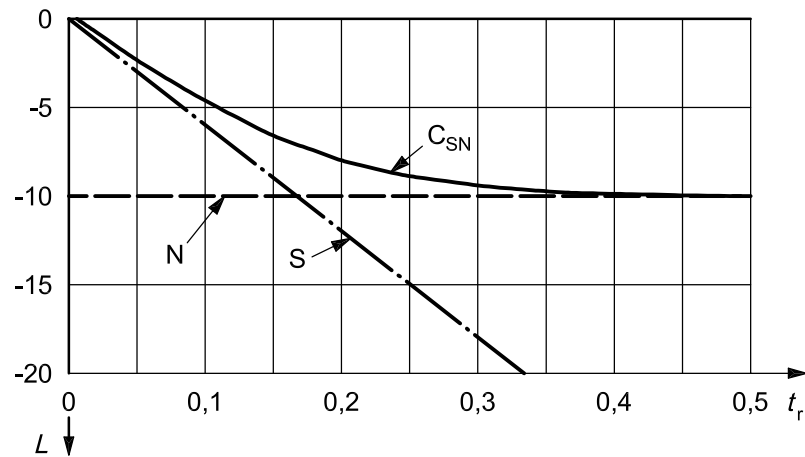
Measured impulse responses will always be accompanied by unwanted noise from extraneous sources and from self-noise in the instruments. Effects from violation of the requirement for linearity and time-invariance may add to the noise. The contribution from the noise in the integral will increase with an increasing length of the integration interval. If the integration is performed between 0 and  $t_1$ , the level will be given by:

$$L = 10 \lg \left\{ \frac{1}{C_{\text{ref}}} \left[ W_0 \int_0^{t_1} h^2(t) dt + \int_0^{t_1} \varepsilon^2(t) dt \right] \right\} \text{ dB} \quad (11)$$

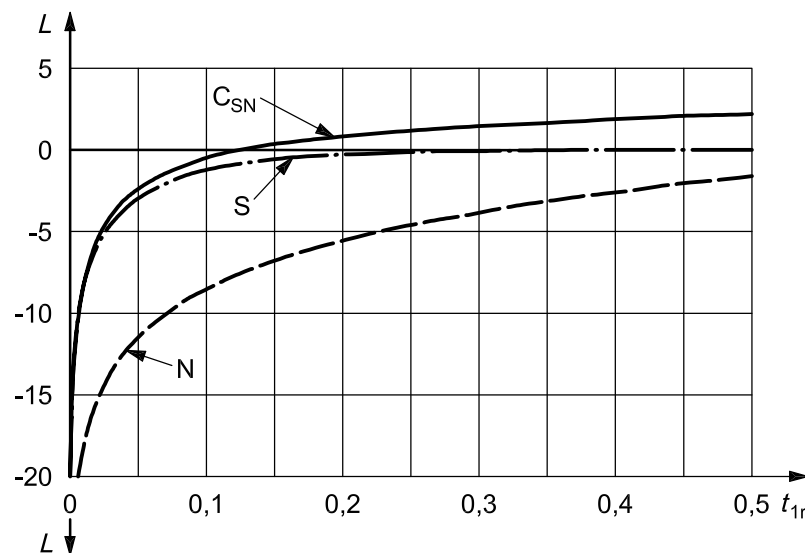
where  $\varepsilon(t)$  is the background noise signal.

In Equation (11), the cross term is neglected because it is assumed that there is no correlation between  $h(t)$  and  $\varepsilon(t)$ .

Too low a value for the upper integration limit will give too low a value for the integral. Figure 3 shows a sketch of how the value of  $t_1$  affects the calculated level.



a) Sketch of the envelope of the impulse response, the background noise and the combination of impulse response and noise



b) Sketch of the calculated levels as a function of the upper integration limit  $t_{1r}$

#### Key

|          |   |
|----------|---|
| $L$      | sound level (dB)  |
| $t_r$    | time relative to reverberation time                       |
| $t_{1r}$ | time for integration limit relative to reverberation time |
| S        | signal from impulse response                              |
| N        | signal from background noise                              |
| $C_{SN}$ | signal from combined impulse response and noise           |

NOTE 1 The effective signal-to-noise ratio is only 10 dB in this example in order to display the contribution from the background noise. Time is relative to the reverberation time.

NOTE 2 Time is relative to the reverberation time. The levels are as calculated according to Equation (11). The figure shows the first part, S, the second part, N, and the complete integral,  $C_{SN}$ . 0 dB indicates the correct level corresponding to an infinite integration period without any noise contribution. Note that the difference between the noise and the maximum envelope of the impulse response is only 10 dB in this example.

Figure 3 — Integration limits

Although the reverberation time may not be known, the upper integration limit  $t_1$  in Equation (11) for a level measurement shall be selected from a rough estimate of the reverberation time  $T$  for the appropriate fractional-octave band in question:

$$t_1 \geq T/3 \quad (12)$$

This implies that the integration should at least be made until the  $-20$  dB point on the squared impulse response curve. The optimum value of  $t_1$  will depend on the signal-to-noise ratio. If the background noise is low, higher accuracy is obtained by increasing the integration interval. The aim is to obtain an effective signal-to-noise ratio exceeding or equal to the required signal-to-noise ratio in the classical method.

Classical methods referred to in this International Standard describe procedures to correct measured levels when the signal-to-noise ratio is low. The new measurement methods may be used to measure the effective signal-to-noise ratio and thus compensate automatically for the influence from the noise as a part of the method. If the noise compensation is part of the method, no further noise compensations shall be applied, even if stated in the description of the classical method.

The integration limit may be selected individually for each fractional-octave band or as a common limit based on the highest value of  $T$ .

Equation (11) shall be used for the calculation of level difference as defined by Equation (5). The integration limit,  $t_1$ , from Equation (12) may be selected independently for the two rooms or the highest value may be used.

### 6.3.5.2 Measurement of reverberation

As for level measurements, the upper limit for the time integral in Equation (1) shall be limited in order to reduce the contribution from unwanted noise:

$$L(t) = 10 \lg \left\{ \frac{1}{C_{\text{ref}}} \left[ W_0 \int_t^{t_2} h^2(t) dt + \int_t^{t_2} \varepsilon^2(t) dt \right] \right\} \text{ dB} \quad (13)$$

It is recommended to set  $t_2$  to be the time where the envelope of the exponential decay in the impulse response  $h^2(t)$  intersects with the tail of the measured response determined by the extraneous background noise. Different methods are described in the literature to compensate for the noise and the truncation of the integration interval (see Reference [10]).

### 6.3.6 Response averaging

Averaging more impulse responses before the final impulse response is further processed may enhance the effective signal-to-noise ratio. The impulse response for a room will ideally be determined by a deterministic process and will give a repeatable signal. The extraneous noise, however, will typically be a stochastic signal uncorrelated with the impulse response. The effective signal-to-noise ratio will then increase by 3 dB for each doubling in the number of measurements in the averaged response.

Violation of the requirements for time-invariance and non-linearity will reduce the enhancement of the effective signal-to-noise ratio and will set a limit for the achievable effective signal-to-noise ratio.

### 6.3.7 Number of measurement points and spatial averaging

The number of measurement points (combinations of source/microphone positions) shall comply with the requirement in the applicable classical method.

The combination of levels or level differences shall comply with the requirements in the applicable classical method. If it is required that the spatial averaged level differences be obtained by first making the average of levels in each room, a similar procedure shall be followed.

### 6.3.8 Stability and time-invariance

All parts of the signal chain, from the excitation to the received signal, shall be time-invariant. This is particularly important with the MLS method described in Annex A, whereas the swept-sine method described in Annex B is more robust to such variations. The need for time-invariance improves the gain (amplitude) and particularly the phase stability. Normally, electronic components used in analog and digital signal processing are sufficiently stable and seldom need consideration. The loudspeaker sensitivity changes when the voice-coil heats up, thus previous use may influence the measurement results when the signal has been fed with substantial power. The user shall therefore aim at stationary, repeatable conditions.

The source or the measurement microphones shall not be moved during a measurement. If a loudspeaker is used for façade measurements, the loudspeaker shall be firmly mounted and shall not be allowed to swing or rotate.

NOTE An exception is the measurement of the random-incidence scattering coefficient according to ISO 17497-1.

Higher frequencies are more likely to be affected by time-variance than lower frequencies.

The measurement methods based on recovering impulse responses are, in general, more sensitive to movements of persons in the measurement rooms than the classical method.

The last part of an impulse response is likely to be more affected by time-variance than the initial part. This makes the measurement of reverberation times more vulnerable than the measurement of level differences. Time variance in the system will typically increase the decay rate for the final part of the decay and decrease the measured reverberation time.

### 6.3.9 Environmental conditions

The new measurement methods may be applied within the environmental conditions for the classical method. However, due to an enhanced sensitivity to changes in the environmental conditions during a measurement, great care shall be taken to keep the conditions stable and within the limits for the various methods described in the annexes.

The sound transmission in air is highly sensitive to changes in the environmental conditions. Such transmission forms part of the system when airborne sound transmission is measured.

Time variances due to changes in the environmental conditions are mainly caused by temperature variations and changes in wind speed. Measurements taking a longer period of time to perform will normally be more sensitive to a drift in the temperature than a faster measurement. If more periods of the response are synchronously averaged, the requirement for constant environmental conditions applies for the total measurement period.

Information on the sensitivities for the methods described in Annex A and Annex B are also given. However, if more impulse responses measured according to Annex B are averaged, the restricted limits for environmental conditions as described in Annex A shall be followed.

### 6.3.10 Calibration and check of accuracy

#### 6.3.10.1 General

The applicable classical methods normally require that the measuring equipment be checked by using a sound calibrator before and after a sequence of measurements. If the equipment cannot be tested by the normal use of a sound calibrator, the procedure given in 6.3.10.2 to 6.3.10.3 shall be used to ensure proper operation when the measurement is based on omni-directional working standard microphones or microphones of similar operation.

NOTE 1 Types of microphones other than omni-directional, for example figure of eight microphones, cannot be calibrated by a sound calibrator.

NOTE 2 The results obtained by the new method are normally not dependent on the absolute sensitivity of the channels, since the measured quantities are either level differences or rates of level change (reverberation time).

### 6.3.10.2 Calibration of equipment with one measurement channel

A level measurement shall be performed with the microphone placed close to the excitation source. The effective signal-to-noise ratio shall be at least 30 dB. The measurement shall be repeated under identical conditions and the obtained level differences, for all relevant fractional-octave bands, shall be within the required measurement accuracy.

### 6.3.10.3 Calibration of equipment with two or more measurement channels

One channel shall be designated the reference channel. For each of the other channels, the response for the channel shall be compared to the response of the reference channel. The microphone for the channel to be compared shall be placed face-to-face to the microphone of the reference channel. The distance between the microphones shall be within 1/10 of the wavelength corresponding to the centre frequency of the highest relevant fractional-octave band.

The level difference shall be measurements with the microphones placed close to the excitation source. The effective signal-to-noise ratios shall be at least 30 dB. The obtained level differences shall, for each of the pairs, be within the required measurement accuracy for all relevant fractional-octave bands.

It is recommended to use microphones of similar design (size, frequency response, directional response, etc.) Some microphones may have protection grids with sound ports that may be blocked if the microphones are placed too close to each other.

## 7 Measurement of the frequency response function

The frequency response function may be obtained from the impulse response by Fourier transformation. It may also be measured as the response to sinusoidal excitation in the required frequency range and the response recorded as amplitude and phase.

As shown in Equation (6), the phase information is not needed for level measurements. If suitable detection methods are used, the requirements for time-invariance may be relaxed compared to the direct measurement of the impulse response.

The frequency may be changed continuously, normally from below the lowest band edge frequency of the lowest fractional-octave band to be measured to above the upper band edge frequency of the upper band. A frequency sweep where the frequency increases exponentially as a function of time mimics a pink noise source in the classical method.

Narrow-band tracking filters in the measurement channel may be used to reduce the noise and remove harmonic components caused by non-linearity in the measuring system. The bandwidth of the filters shall be sufficiently wide to prevent modification of the decay-rate due to the reverberation.

## 8 Precision

The new method will by one single measurement obtain the expected value from the classical methods based on random noise excitation. The result will therefore not have the stochastic spread in the observed values when the measurement is repeated, as is typical for measurements with random noise excitation. Furthermore, the method will normally improve the effective signal-to-noise ratio.

The spread in values due to changes in the measurement positions will be as for the classical method, and the values for the uncertainty of measurement stated for the classical measurement apply for this variation.

Where the environmental conditions can be controlled to be within the requirements stated in Annex A or Annex B as appropriate, the new methods specified in this International Standard are therefore considered to have similar or better precision relative to the applicable classical method.



The uncertainty of the results obtained from measurements according to this International Standard shall be evaluated, preferably in compliance with the *Guide to the expression of uncertainty in measurement (GUM)*. If reported, the expanded uncertainty together with the corresponding coverage factor for a stated coverage probability as defined in the GUM shall be given.

## 9 Test report

The expression of results and the information in the test report shall comply with the applicable classical method. Additionally, the test report shall contain at least the following information:

- a) reference to this International Standard, i.e. ISO 18233:2006;
- b) short description of the applied method: signal type, signal duration, number of averages, etc.;
- c) number and title of the International Standard of the applicable classical method.

## Annex A (normative)

### Maximum length sequence method

#### A.1 General

This annex gives only a brief introduction to the measurement method based on maximum length sequences (MLS) and the Hadamard transformation. Extensive information about the method and applications in the field of building acoustics is available in the literature (see References [10] to [12] and [15]).

A maximum length sequence is a binary sequence. When used for excitation, the binary values are output at a fixed rate,  $f_c$ , which for this description is assumed to be equal to the sampling frequency for the recorded response. Although the sequence is deterministic, it sounds like white noise and each of the binary values appears in a random-like manner.

The MLS is characterized by an order,  $N$ , given by a whole number. The length of the sequence is  $l_1 = 2^N - 1$ . The autocorrelation of the sequence will almost be a periodic delta-pulse when the sequence is replayed periodically. The signal will thus be an approximation to a record of white noise replayed with a repetition frequency  $f_{\text{REP}}$ :

$$f_{\text{REP}} = \frac{1}{T_{\text{REP}}} = \frac{f_c}{2^N - 1} \quad (\text{A.1})$$

For this description, it is assumed that the sequence is replayed periodically. The measured impulse response will therefore also be periodic, meaning that the tail of the response outside the record will be folded back to the beginning of the record [16].

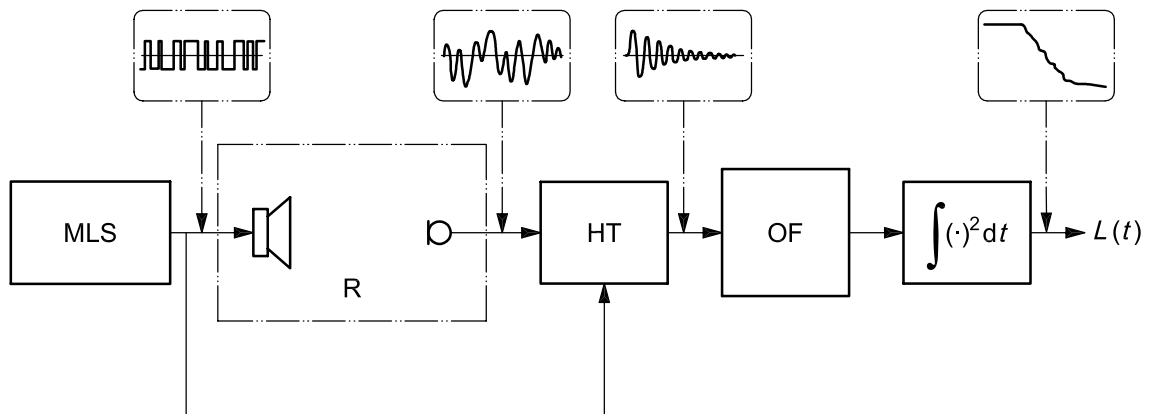
When using white excitation signals, the impulse response of any linear system may in general be obtained from the cross correlation between the output and the input. When the input is a periodic maximum length sequence, using the Hadamard transformation may speed up this cross correlation process. The process is illustrated in Figure A.1.

The Hadamard transformation may be done very efficiently as a Fast Hadamard Transformation (FHT) and consists of combining different samples in the recorded response by additions and subtractions. Included in the method is the addition of one extra sample in the record so the length of the output sequence,  $l_2$ , is a power of two value:

$$l_2 = l_1 + 1 = 2^N \quad (\text{A.2})$$

The output from the Hadamard transformation will be the impulse response for the measured system. The system is then defined with the electrical excitation as *input* and the input to the recording device as *output*. Therefore, in addition to the room response, the power amplifier, loudspeaker and possibly filtering networks will be a part of the system. For most building acoustic measurements as described in this International Standard, the main characteristics in the response will be determined by the room. The impulse response shall be further processed to obtain the fractional-octave-band filtered response.

Due to the periodic nature of the excitation, the measured impulse response will also be periodic. If the impulse response is longer than one period, the tail of the impulse response will add to the first part (time aliasing – circular convolution).

**Key**

- MLS generator for MLS signal  
 R room  
 HT Hadamard transformation  
 OF fractional-octave filter

Figure A.1 — Scheme for MLS process

## A.2 Sequence length

The length of the sequence shall be equal to or longer than the reverberation time as required in Equation (10). The lower limit for the clock frequency,  $f_c$ , which normally is equal to the sampling frequency for the recorded response, will be set by the required upper frequency range. The length of the sequence and the clock frequency will set the lower limit for the order of the MLS.

NOTE The calculation of the required order may be illustrated by the following example. The estimated reverberation time  $T$  is 1,5 s, the upper measurement frequency is 3,55 kHz (upper band edge frequency for 3,15 kHz filter band), the clock and sampling frequency is 12 kHz. The lower limit for the order is given by:

$$T_{\text{REP}} = \frac{2^N - 1}{f_c} \geq T \quad (\text{A.3})$$

This corresponds to

$$N \geq \frac{\lg(Tf_c + 1)}{\lg(2)} = \frac{\lg(1,5 \times 12\,000 + 1)}{\lg(2)} \approx 14,2 \quad (\text{A.4})$$

The smallest whole number satisfying this requirement is  $N = 15$ . The order may, however, be reduced to 14 if the sampling frequency is reduced closer to the limit  $2 \times 3,55$  kHz or 7,1 kHz.

## A.3 Signal-to-noise ratio

### A.3.1 General

If more periods of the recorded response or the impulse response are synchronously averaged, the effective signal-to-noise ratio may be enhanced as described in 6.3.6. In addition, if the important part of the impulse response is shorter than the length of the measured response, the sequence used for computing the values may be truncated and thereby the noise in the rest of the record will be removed. This is based on the fact that normal uncorrelated noise will still have a constant distribution along the time-axis after the Hadamard transformation. Even an extraneous impulse signal will have a stationary distribution along the time-axis after the Hadamard transformation.

The equations below for signal-to-noise ratios assume stable environmental conditions and linearity so the system may be considered as a linear time-invariant system.

### A.3.2 Level measurements

Most of the energy of the impulse response will reside in the first part as described in 6.3.5.1. If the integration limit,  $t_1$ , is defined according to Equation (11), the enhancement in the effective signal-to-noise ratio in decibels,  $\Delta$ , compared to the classical method will be approximately given by (see Reference [10] in the Bibliography):

$$\Delta \approx 10 \lg \left\{ \frac{n T_{\text{REP}}}{t_1} \right\} \text{ dB} \quad (\text{A.5})$$

where  $n$  is the number of averages.

The signal-to-noise ratio for the classical method is the ratio obtained when the MLS-signal is used as a conventional excitation signal.

### A.3.3 Measurement of reverberation time

The MLS sequence may be regarded as a conventional noise excitation signal and the reverberation time calculated by the classical interrupted noise method. If the signal-to-noise ratio in this measurement is used as a reference, the enhancement,  $\Delta$ , in the effective signal-to-noise ratio for the MLS/Hadamard method will be approximately given by (see Reference [10] in the Bibliography):

$$\Delta \approx 10 \lg \left\{ \frac{13,8 \times n T_{\text{REP}}}{T} \right\} \text{ dB} \quad (\text{A.6})$$

where  $T$  is the reverberation time.

The level range used to obtain the reverberation time by the new method shall comply with the referred classical method.

## A.4 Time invariance

### A.4.1 General

Time-variance in the system to be measured may limit the achieved effective signal-to-noise ratio and lead to unreliable results. Besides linearity, time-invariance is a critical parameter in the application of MLS-based methods and shall always be considered. Slow time variances due to environmental conditions are described in 6.3.8.

### A.4.2 Movement

All excitation sources, reflectors, microphones, other equipment or room boundaries shall be stationary and shall not be moved during a measurement.

NOTE An exception is the measurement of the random-incidence scattering coefficient according to ISO 17497-1.

### A.4.3 Environmental conditions

#### A.4.3.1 Temperature

The following limits found in the literature may be used as a guide (see References [10] to [12] in the Bibliography).

Maximum temperature change,  $\Delta\theta$ , during a measurement of level difference:

$$\Delta\theta \leq \frac{1300}{fT} \text{ } ^\circ\text{C} \quad (\text{A.7})$$

where

$f$  is the centre frequency of the fractional-octave-band filter;

$T$  is the reverberation time.

For the measurement of reverberation time in the range 0 dB to 30 dB below the stationary level, the following limit for the change in temperature is given:

$$\Delta\theta \leq \frac{200}{fT} \text{ } ^\circ\text{C} \quad (\text{A.8})$$

#### **A.4.3.2 Maximum wind speed (outdoor measurements)**

Measurements shall only be performed when the average wind velocity is less than 4 m/s and the wind velocity during gusts is less than 10 m/s. In the case of wind, the wind velocity close to the loudspeaker shall be monitored to ensure that this requirement is fulfilled. The wind measurement equipment shall have an accuracy of at least 10 %, and a time constant of no more than 2 s [11].

#### **A.4.4 Distortion**

Distortion in the excitation channel will normally show up as an increased noise floor including spikes. The excitation channel shall therefore be operated in a range where response is mainly linear. When using the MLS method, an increased effective signal-to-noise ratio may be obtained by reducing the excitation amplitude. Reference [12] gives further guidelines.

Some sources of non-linearity may generate non- or sub-harmonic distortions (e.g. rattling) and shall also be kept at a low level.

## Annex B (normative)

### Swept-sine method

#### B.1 General

Generally speaking, any kind of excitation signal may be used to determine the impulse response and respective frequency response function of any linear and time-invariant system, provided that it contains enough energy at every frequency of interest. The impulse response can be obtained from the response to the excitation by deconvolution, or the frequency response function can be obtained by dividing the output spectrum of the system under test by the spectrum of the input. The latter implies Fourier transformation of the input and output signal in order to perform the division in the spectral domain.

Using sinusoidal sweeps as the excitation signals offers a couple of advantages compared to the method described in Annex A. The obtainable advantages include reduced sensitivity to time variance (temperature and air movement) and elimination of the deterioration of the effective signal-to-noise ratio due to harmonic distortion. As all harmonic distortion can be deleted from the results, the sinusoidal excitation signal can be fed with substantially more power than MLS signals. At quiet sites, sweep measurements can provide signal-to-noise ratios in excess of 100 dB.

Measurements with sweeps are less vulnerable to the deleterious effects of time variance. In outdoor measurements, these frequently occur due to air movement. Under windy weather conditions, sweeps are sometimes the only viable option when measuring impulse responses over long distances.

A sweep excitation may be made once, from the lower to the higher frequency, or repeated in a periodic manner. The analysis in this annex is based on one single sweep. If convenient, the total frequency range may be divided into blocks covering only a part of the range, e.g. each fractional octave may be measured with a separate sweep.

The effects of using periodic sweeps or repeated sweeps are covered in B.8.

When a sweep is emitted only once, all its energy is being used for evaluating the frequency response function. This aperiodic use of the excitation signal reduces the measurement time, although a gap of silence shall follow the sweep to allow the collection of all delayed components.

**NOTE** A number of different names have been used in the literature to describe the swept-sine method. This includes "chirp", "sinusoidal sweep" and "time-stretched pulse".

#### B.2 Sweep duration

In contrast to measurements with periodic excitation signals, there are no special requirements relating the sweep duration to the expected reverberation time that have to be considered. Anything from short chirps to sweeps many times longer than the reverberation time may be used. However, the acquisition time for recording the sweep response shall be longer than the sweep itself to collect the reverberation until it has decayed under the noise floor.

In room and building acoustics, the reverberation time is normally longest for the lower frequencies. When very long sweeps (many seconds) are being used, the final gap only shall accommodate the reverberation at the highest frequencies, which generally is quite short. This holds because all the lower frequency components arrive while the excitation signal is still sweeping upwards.

Increasing the sweep duration brings more acoustic energy into the room to be measured and thus increases the effective signal-to-noise ratio. Generally a prolonged sweep should be preferred over averaging as it reduces the vulnerability to time variance and eases the separation of the distortion products.

## B.3 Sweep generation

### B.3.1 General

According to the spectral requirements mentioned in 6.2.2, a non-white excitation spectrum is preferable for the majority of measurement tasks. The spectral contents may be modified by the change of the amplitude as well as the instantaneous sweep speed. In most cases, it is advantageous to keep the amplitude at a constant value and let the sweep speed be changed with the frequency. The sweep is started at or below the lowest band edge frequency of the lowest fractional-octave band to be measured and continues upwards to at least the upper band edge frequency of the highest fractional-octave band to be measured. An extension of the sweep with a quiet period is normally required and belongs to the excitation signal.

In cases with moderate background noise, it is normally a safe practice to use sweeps with a length of two to four times the longest reverberation time and leave a silent gap equalling the expected longest reverberation time.

### B.3.2 Sweeps with white and pink spectrum

A linear sweep with constant amplitude corresponds to equal energy per hertz and is normally designated a white spectrum. If the frequency increases exponentially with time, the time to sweep each octave is constant. The energy per fractional-octave band will therefore be constant and the sweep mimics a pink spectrum. An exponential sweep is the normal excitation signal corresponding to pink noise in the applicable classical methods.

### B.3.3 Synthesis of sweeps with arbitrary amplitude spectrum

The spectrum of the excitation signal may be adjusted to the requirements as described in 6.2.2 by changing the sweep rate. Generally, adjustment of the sweep rate is preferred compared to change of the envelope (amplitude) as it allows a constant distance to the clipping level of an amplifier to be maintained.

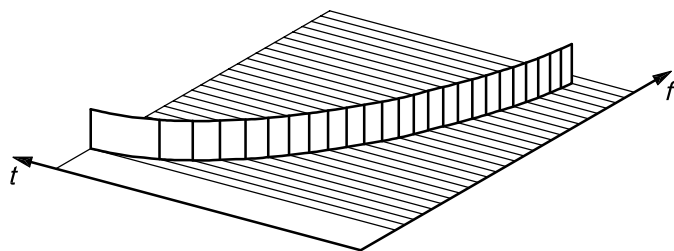
If the sweep rate at a particular frequency is lowered, more energy will be concentrated in this part of the spectrum. By properly controlling the sweep rate, sweeps with almost arbitrary amplitude spectrum, yet almost constant temporal amplitude envelope can be synthesized. Reference [13] gives further details on how to obtain a wanted spectrum. The article also describes methods to reduce transient from the start and stop of the sweep.

## B.4 Recording the response

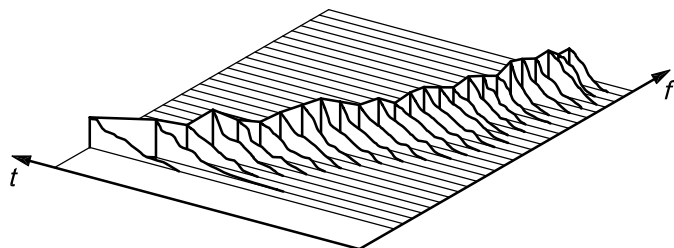
The response to the sweep excitation shall be recorded from the start of the sweep to a time where the sound delayed by the reverberation is received. The time needed for the record depends on the sweep speed, the frequency range to be covered and the reverberation of the room(s). For the measurement of level differences, the recorded decay shall cover at least 30 dB or half the reverberation times.

For measurement of reverberation time, the decay shall cover the range specified in the referred classical standard. Normally, a higher dynamic range than for level measurements is needed which leads to the need for a longer length of the record.

Figure B.1 shows a time-frequency plot of an exponential sweep excitation and the corresponding response. Note that the received frequency components are delayed due to the reverberation.



a) Excitation



b) Response

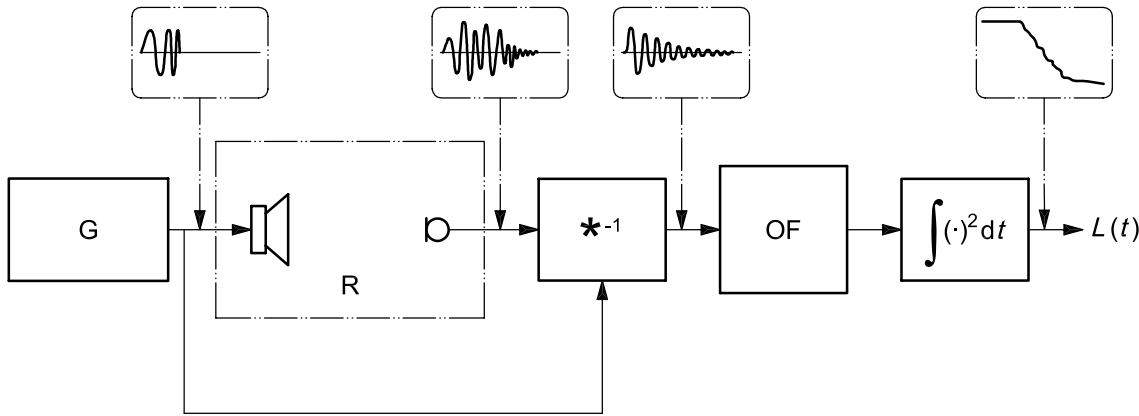
**Key** $t$  time $f$  frequency**Figure B.1 — Time-frequency diagram for exponential sweep****B.5 Deconvolution**

The process of deconvolution to obtain the impulse response of the room is illustrated in Figures B.2 and B.3 as two alternative procedures. The complex frequency response function may be obtained by direct deconvolution or by spectral division between the spectrum of the response and the spectrum of the excitation.

In Figure B.2, the deconvolution is done by convolving the received signal with a signal that is the inverse of the excitation signal. The inverse signal is a signal with the property that an ideal impulse is created on convolving it with the excitation signal. The broadband impulse response is further processed to obtain the  $L(t)$  function as defined in Equation (1) for each fractional-octave band. Figure B.2 is only meant to illustrate the process of signal processing. For example, the filtering to obtain fractional-octave-band responses may be done in the frequency domain as long as the requirements in 6.3.2 are satisfied.

In Figure B.3, the transformation between the time- and frequency domain is indicated by Fast Fourier Transformation (FFT). The broadband impulse response is obtained after a transformation back to the time domain (by inverse FFT, IFFT). The broadband impulse response is further processed to obtain the  $L(t)$  function, as defined in Equation (1) for each fractional-octave band. Figure B.3 is only meant to illustrate the process of signal processing. For example, the filtering to obtain fractional-octave-band responses may be done in the frequency domain as long as the requirements in 6.3.2 are satisfied.

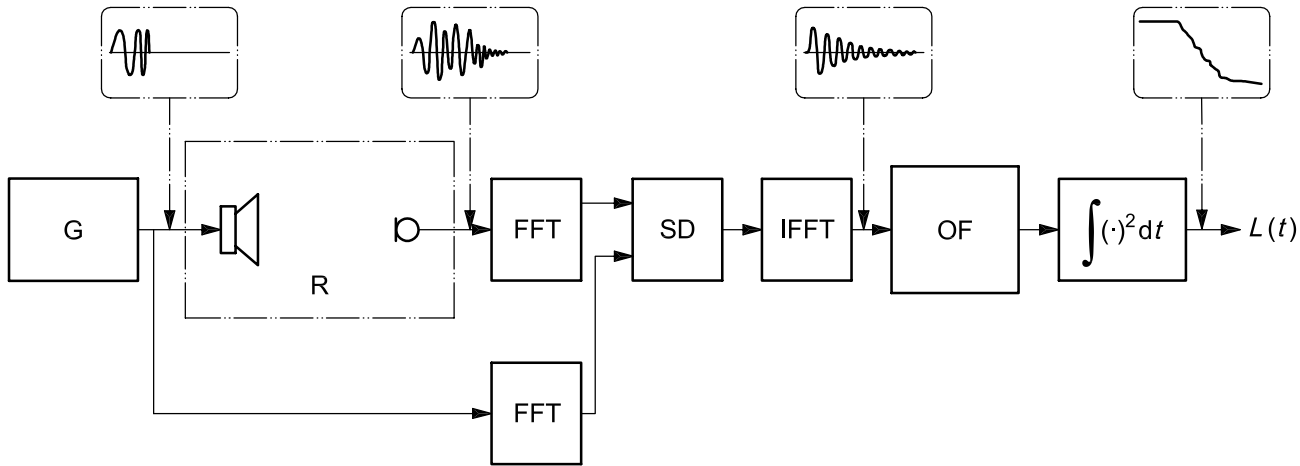




**Key**

- G sweep generator
- R room
- \*-1 deconvolution
- OF fractional-octave filter

**Figure B.2 — Direct deconvolution**



**Key**

- G sweep generator
- R room
- FFT Fast Fourier Transformation
- SD spectral division
- IFFT Inverse Fast Fourier Transformation
- OF fractional-octave filter

**Figure B.3 — Spectral division**

A number of precautions shall be taken in the deconvolution process. If a Fast Fourier Transformation is used, precautions against circular convolutions shall be taken. Furthermore, the spectral division may include frequencies in the denominator with very little energy and precautions shall be taken in order not to enhance the extraneous noise accompanying the measured response at these frequencies. This will often be the case close to the boundary of the sweep range.

As the technique described here makes use of a non-periodic excitation signal, the most appropriate way to obtain the impulse response is a linear (i.e. non-circular) deconvolution. The linear deconvolution can be accomplished most simply by direct deconvolution or, if using spectral division, by extending the excitation signal and the recorded response with zeros to double their previous size (zero-padding).

When the excitation is a sweep from lower to higher frequencies, the response to harmonic components will appear before the main excitation at the same frequency. After the linear deconvolution, the responses to harmonic components in the excitation will appear at negative time and may easily be removed (see Reference [14] for further information).

When spectral division is applied, the excitation and the response are submitted to an FFT and the spectrum of the response is then divided by the spectrum of the excitation signal. An IFFT yields the desired impulse response in which the second half, corresponding to negative arrival times, can be disregarded. As described in Reference [8], this method may also be used to remove the effects of harmonic distortion in the excitation channel.

Alternatively to the linear deconvolution, a circular deconvolution using an FFT size equal to the acquisition time may be employed. In this case, however, the distortion products could smear into the decay of the impulse response. This means that the length of the excitation signal shall be chosen sufficiently longer than the decay time. The distortion products will then appear in the noise floor where they can be safely discarded by windowing without affecting the reverberant tail.

There is an important difference concerning the noise floor in the impulse responses obtained by linear and circular deconvolution. Use of a circular deconvolution results in a noise floor that is basically constant, up to the point where the first distortion products appear. The linear deconvolution, however, yields a decaying noise tail that is increasingly low-pass filtered towards its end. This stems from the fact that this last part of the deconvolution result originates from steady noise convolved with a sweep in reverse order (i.e. from high to low frequencies). The user shall be aware of this affect so as not to confuse the decreasing noise floor with the reverberant tail of the room.

### B.6 Signal-to-noise ratio

The obtained effective signal-to-noise ratio depends on a number of factors in addition to the extraneous noise level, such as the amplitude of excitation, the sweep rate and the algorithms for the signal processing. Doubling the duration of the sweep will normally lead to an increase in the effective signal-to-noise ratio by 3 dB. Although the signal-to-noise ratio may be enhanced by averaging more impulse responses, this method is, in general, not recommended as it will lead to an increased sensitivity for changes in the environmental conditions. However, most of such environmental effects are observed at levels below 30 dB from the peak level.

### B.7 Time-invariance

#### B.7.1 General

Time-variance in the system to be measured may lead to unreliable results and limit the achieved effective signal-to-noise ratio. Time-invariance is a crucial assumption in the development of the new measurement methods and shall always be considered.

The sensitivity to change in the environmental conditions depends on the applications. Most effects related to modest time-variance are seen at levels below 30 dB from the peak level of the impulse response. It will therefore seldom affect a level measurement, but may give an unreliable reverberation time. For other applications requiring a huge dynamic range, the sensitivity may be even larger.

## B.7.2 Movement

All excitation sources, reflectors, microphones, other equipment or room boundaries shall be stationary and shall not be moved during a measurement.

NOTE An exception is the measurement of the random-incidence scattering coefficient according to ISO 17497-1.

## B.7.3 Environmental conditions

### B.7.3.1 Temperature

Currently, little information is available on the requirement for temperature stability when applying the swept-sine method described in this annex. However, there is clear evidence that the method is far less sensitive than the method described in Annex A to a change in the temperature during a measurement. To be on the safe side, the user shall try to keep the environmental conditions stable during the measurement.

### B.7.3.2 Maximum wind speed (outdoor measurements)

Currently, little information is available on the influence of wind when applying the swept-sine method described in this annex. However, there is clear evidence that the method is far less sensitive than the method described in Annex A. To be on the safe side, the user shall try to keep the environmental conditions stable during the measurement.

## B.7.4 Distortion

The effect of distortion in the excitation channel depends strongly on the algorithms used in the processing of the signal. As described in B.5, methods are available which can reduce the effect of harmonic distortion significantly. The user is strongly encouraged to use such methods, which normally will enhance the effective signal-to-noise ratio and allow the acoustic source to be operated close to its maximum levels.

Some sources of non-linearity may generate non- or sub-harmonic distortions (e.g. rattling) and shall be kept at a low level.

## B.8 Periodic and repeated sweeps

In principle, a periodic sweep may be used for the excitation. In this case the period shall be equal to or longer than the reverberation time as required in Equation (10). However, it is considered that application of repeated sweeps leads to enhanced sensitivity to the environmental conditions. It is therefore recommended to use a single sweep with longer duration to enhance the signal-to-noise ratio instead of using periodic sweeps. If used, the environmental conditions required in Annex A shall be followed.

## Bibliography

- [1] ISO 140 (all parts), *Acoustics — Measurement of sound insulation in buildings and building elements*
- [2] ISO 3382 (all parts), *Acoustics — Measurement of the reverberation time of rooms with reference to other acoustical parameters*
- [3] ISO 10848 (all parts), *Acoustics — Laboratory measurements of the flanking transmission of airborne and impact noise between adjoining rooms*
- [4] ISO 17497-1, *Acoustics — Sound-scattering properties of surfaces — Part 1: Measurement of the random-incidence scattering coefficient in a reverberation room*
- [5] *Guide to the expression of uncertainty in measurement (GUM)*, BIPM/IEC/IFCC/ISO/IUPAC/IUPAP/OIML
- [6] SCHROEDER, M.R., New Method of Measuring Reverberation Time. *J. Acoust. Soc. Am.*, **37** (1965) pp. 409–412
- [7] SCHROEDER, M.R., Integrated-Impulse Method Measuring Sound Decay without Using Impulses. *J. Acoust. Soc. Am.*, **66** (1979) pp. 497–500
- [8] BORISH, J., and ANGELL, J.B., An Efficient Algorithm for Measuring the Impulse Response Using Pseudorandom Noise. *J. Audio Eng. Soc.*, **31** (1983) pp. 478–488
- [9] LUNDEBY, A.T., VIGRAN, E., BIETZ, H., and VORLÄNDER, M., Uncertainty of Measurements in Room Acoustics, *Acoustica*, **81** (1995), pp. 344–355
- [10] VORLÄNDER, M., and KOB, M., Practical Aspects of MLS Measurements in Building Acoustics. *Applied Acoustics*, **52** (1997), pp. 239–258
- [11] HORVEI, B., OLSEN, H., and USTAD, A., *Nordtest project on MLS based on method for sound insulation measurements*. SINTEF Report STF40 A98008, Trondheim 1998
- [12] BRADLEY, J.S., Optimizing the Decay range in Room Acoustics Measurements using Maximum-Length-Sequence Techniques. *J. Audio Engineering Soc.*, **44** (1996), pp. 266–273
- [13] MÜLLER, S., and MASSARANI, P., Transfer-Function Measurement with Sweeps. *J. Audio Eng. Soc.*, **49** (2001), pp. 443–471
- [14] FARINA, A., *Simultaneous measurement of impulse response and distortion with a swept-sine technique*. AES 108 th Convention, Paris, 2000 February 19–22, Preprint 5093
- [15] VORLÄNDER, M., Categorization of modern measurement techniques in building acoustics. *Proceedings Inter-Noise 2001*, The Hague, (2001), pp. 2145–2154
- [16] RIFE, D.D., and Vanderkooy, J. Transfer-Function Measurement with Maximum-Length Sequences. *J. Audio Eng. Soc.*, **37** (1989), pp. 419–443
- [17] AOSHIMA, N., Computer-generated pulse signal applied for sound measurement. *J. Acoust. Soc. Am.*, **69**, (1981), pp. 1484–1488



---

---

## BSI — British Standards Institution

BSI is the independent national body responsible for preparing British Standards. It presents the UK view on standards in Europe and at the international level. It is incorporated by Royal Charter.

### Revisions

British Standards are updated by amendment or revision. Users of British Standards should make sure that they possess the latest amendments or editions.

It is the constant aim of BSI to improve the quality of our products and services. We would be grateful if anyone finding an inaccuracy or ambiguity while using this British Standard would inform the Secretary of the technical committee responsible, the identity of which can be found on the inside front cover.  
Tel: +44 (0)20 8996 9000. Fax: +44 (0)20 8996 7400.

BSI offers members an individual updating service called PLUS which ensures that subscribers automatically receive the latest editions of standards.

### Buying standards

Orders for all BSI, international and foreign standards publications should be addressed to Customer Services. Tel: +44 (0)20 8996 9001.  
Fax: +44 (0)20 8996 7001. Email: [orders@bsi-global.com](mailto:orders@bsi-global.com). Standards are also available from the BSI website at <http://www.bsi-global.com>.

In response to orders for international standards, it is BSI policy to supply the BSI implementation of those that have been published as British Standards, unless otherwise requested.

### Information on standards

BSI provides a wide range of information on national, European and international standards through its Library and its Technical Help to Exporters Service. Various BSI electronic information services are also available which give details on all its products and services. Contact the Information Centre.  
Tel: +44 (0)20 8996 7111. Fax: +44 (0)20 8996 7048. Email: [info@bsi-global.com](mailto:info@bsi-global.com).

Subscribing members of BSI are kept up to date with standards developments and receive substantial discounts on the purchase price of standards. For details of these and other benefits contact Membership Administration.  
Tel: +44 (0)20 8996 7002. Fax: +44 (0)20 8996 7001.  
Email: [membership@bsi-global.com](mailto:membership@bsi-global.com).

Information regarding online access to British Standards via British Standards Online can be found at <http://www.bsi-global.com/bsonline>.

Further information about BSI is available on the BSI website at <http://www.bsi-global.com>.

### Copyright

Copyright subsists in all BSI publications. BSI also holds the copyright, in the UK, of the publications of the international standardization bodies. Except as permitted under the Copyright, Designs and Patents Act 1988 no extract may be reproduced, stored in a retrieval system or transmitted in any form or by any means – electronic, photocopying, recording or otherwise – without prior written permission from BSI.

This does not preclude the free use, in the course of implementing the standard, of necessary details such as symbols, and size, type or grade designations. If these details are to be used for any other purpose than implementation then the prior written permission of BSI must be obtained.

Details and advice can be obtained from the Copyright & Licensing Manager.  
Tel: +44 (0)20 8996 7070. Fax: +44 (0)20 8996 7553.  
Email: [copyright@bsi-global.com](mailto:copyright@bsi-global.com).