

Welding consumables — Test methods —

**Part 1: Test methods for all-weld metal
test specimens in steel, nickel and
nickel alloys**

ICS 25.160.20

National foreword

This British Standard is the UK implementation of EN ISO 15792-1:2008+A1:2011. It is identical to ISO 15792-1:2000, incorporating amendment 1:2011. It supersedes BS EN ISO 15792-1:2008, which is withdrawn.

The start and finish of text introduced or altered by amendment is indicated in the text by tags. Tags indicating changes to ISO text carry the number of the ISO amendment. For example, text altered by ISO amendment A1 is indicated by **A1** ~~A1~~.

The UK participation in its preparation was entrusted to Technical Committee WEE/39, Welding consumables.

A list of organizations represented on this committee can be obtained on request to its secretary.

This publication does not purport to include all the necessary provisions of a contract. Users are responsible for its correct application.

Compliance with a British Standard cannot confer immunity from legal obligations.

Amendments/corrigenda issued since publication

This British Standard was published under the authority of the Standards Policy and Strategy Committee on 30 June 2008

© BSI 2011

ISBN 978 0 580 72581 4

Date	Comments
30 November 2011	Implementation of ISO amendment 1:2011 with CEN endorsement A1:2011

English Version

Welding consumables - Test methods - Part 1: Test methods for
all-weld metal test specimens in steel, nickel and nickel alloys
(ISO 15792-1:2000)

Produits consommables pour le soudage - Méthodes
d'essai - Partie 1: Méthodes d'essai pour les éprouvettes
de métal fondu hors dilution pour le soudage de l'acier, du
nickel et des alliages de nickel (ISO 15792-1:2000)

Schweißzusätze - Prüfverfahren - Teil 1: Prüfverfahren für
Prüfstücke zur Entnahme von Schweißgutproben an Stahl,
Nickel und Nickellegierungen (ISO 15792-1:2000)

This European Standard was approved by CEN on 5 April 2008.

CEN members are bound to comply with the CEN/CENELEC Internal Regulations which stipulate the conditions for giving this European Standard the status of a national standard without any alteration. Up-to-date lists and bibliographical references concerning such national standards may be obtained on application to the CEN Management Centre or to any CEN member.

This European Standard exists in three official versions (English, French, German). A version in any other language made by translation under the responsibility of a CEN member into its own language and notified to the CEN Management Centre has the same status as the official versions.

CEN members are the national standards bodies of Austria, Belgium, Bulgaria, Cyprus, Czech Republic, Denmark, Estonia, Finland, France, Germany, Greece, Hungary, Iceland, Ireland, Italy, Latvia, Lithuania, Luxembourg, Malta, Netherlands, Norway, Poland, Portugal, Romania, Slovakia, Slovenia, Spain, Sweden, Switzerland and United Kingdom.



EUROPEAN COMMITTEE FOR STANDARDIZATION
COMITÉ EUROPÉEN DE NORMALISATION
EUROPÄISCHES KOMITEE FÜR NORMUNG

Management Centre: rue de Stassart, 36 B-1050 Brussels

Foreword

The text of ISO 15792-1:2000 has been prepared by Technical Committee ISO/TC 44 "Welding and allied processes" of the International Organization for Standardization (ISO) and has been taken over as EN ISO 15792-1:2008 by Technical Committee CEN/TC 121 "Welding" the secretariat of which is held by DIN.

This European Standard shall be given the status of a national standard, either by publication of an identical text or by endorsement, at the latest by November 2008, and conflicting national standards shall be withdrawn at the latest by November 2008.

Attention is drawn to the possibility that some of the elements of this document may be the subject of patent rights. CEN [and/or CENELEC] shall not be held responsible for identifying any or all such patent rights.

This document supersedes EN 1597-1:1997.

According to the CEN/CENELEC Internal Regulations, the national standards organizations of the following countries are bound to implement this European Standard: Austria, Belgium, Bulgaria, Cyprus, Czech Republic, Denmark, Estonia, Finland, France, Germany, Greece, Hungary, Iceland, Ireland, Italy, Latvia, Lithuania, Luxembourg, Malta, Netherlands, Norway, Poland, Portugal, Romania, Slovakia, Slovenia, Spain, Sweden, Switzerland and the United Kingdom.

Endorsement notice

The text of ISO 15792-1:2000 has been approved by CEN as a EN ISO 15792-1:2008 without any modification.

Foreword to amendment A1

This document (EN ISO 15792-1:2008/A1:2011) has been prepared by Technical Committee ISO/TC 44 "Welding and allied processes" in collaboration with Technical Committee CEN/TC 121 "Welding" the secretariat of which is held by DIN.

This European Standard shall be given the status of a national standard, either by publication of an identical text or by endorsement, at the latest by April 2012, and conflicting national standards shall be withdrawn at the latest by April 2012.

Attention is drawn to the possibility that some of the elements of this document may be the subject of patent rights. CEN [and/or CENELEC] shall not be held responsible for identifying any or all such patent rights.

According to the CEN/CENELEC Internal Regulations, the national standards organizations of the following countries are bound to implement this European Standard: Austria, Belgium, Bulgaria, Croatia, Cyprus, Czech Republic, Denmark, Estonia, Finland, France, Germany, Greece, Hungary, Iceland, Ireland, Italy, Latvia, Lithuania, Luxembourg, Malta, Netherlands, Norway, Poland, Portugal, Romania, Slovakia, Slovenia, Spain, Sweden, Switzerland and the United Kingdom.

Endorsement notice

The text of ISO 15792-1:2000/Amd 1:2011 has been approved by CEN as a EN ISO 15792-1:2008/A1:2011 without any modification.

Introduction

It should be noted that the mechanical properties of all-weld metal test specimens used to classify welding consumables could vary from those obtained in production joints because of differences in welding procedure such as electrode diameter, width of weave, welding position and material composition.

Test conditions prescribed and results required should not be considered to be requirements or expectations for a procedure qualification.

Welding consumables — Test methods —

Part 1:

Test methods for all-weld metal test specimens in steel, nickel and nickel alloys

1 Scope

This part of ISO 15792 specifies the preparation of test piece and specimens. The purpose is to determine mechanical properties of all-weld metal where required by the consumable classification standard or for other purposes, in arc welding of steel, nickel and nickel alloys.

This part of ISO 15792 is not applicable to single- or two-pass welding or fillet welding. For these cases, ISO 15792-2 and ISO 15792-3 apply.

2 Normative references

The following normative documents contain provisions which, through reference in this text, constitute provisions of this part of ISO 15792. For dated references, subsequent amendments to, or revisions of, any of these publications do not apply. However, parties to agreements based on this part of ISO 15792 are encouraged to investigate the possibility of applying the most recent editions of the normative documents indicated below. For undated references, the latest edition of the normative document referred to applies. Members of ISO and IEC maintain registers of currently valid International Standards.

ISO 5178, *Destructive tests on welds in metallic materials — Longitudinal tensile test on weld metal in fusion welded joints.*

ISO 9016:2000, *Destructive tests on welds in metallic materials — Impact tests — Test specimen location, notch orientation and examination.*

ISO 13916:1996, *Welding — Guidance on the measurement of preheating temperature, interpass temperature and preheat maintenance temperature.*

3 General requirements

Welding consumables to be tested shall be representative of the manufacturer's products to be classified or tested. Test pieces shall be prepared as described below.

4 Test plate material

The material to be used for the test piece shall be compatible with the weld metal provided by the welding consumable tested. Alternatively, the groove edges and the backing strip shall be built up with at least two layers using the welding consumable being tested.

5 Preparation of test piece

The test piece shall be prepared in the form of a single V-groove on a backing strip. The backing strip shall be tack welded to the test piece on the reverse side. See Figure 1 and Table 1.

The plates of the test piece shall be pre-set or restrained in such a way that a sufficiently flat test piece is produced for extraction of specimens. The welded test piece shall not be straightened.

The type of test piece defines the dimensions, see Table 1. The type selected for classification purpose is specified in the relevant consumable standard.

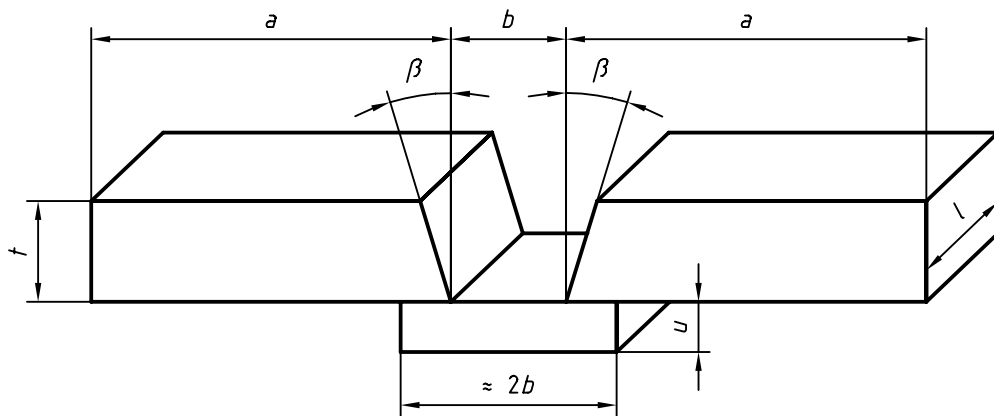


Figure 1 — Test piece dimensions

Table 1 — Type and dimensions of the test piece

Dimensions in millimetres

Type	t	a	b	u	β Degree	l
1.0	12	≥ 80	10			
1.1	12	≥ 90	12			
1.2	16	≥ 100	14			
1.3	20	≥ 125	16			
1.4	25	≥ 125	20	≥ 6	$10_0^{+2,5}$	≥ 150
1.5	30	≥ 200	25			
1.6	20	≥ 150	20			
1.7	25	≥ 150	24			

6 Welding conditions

The test piece shall be welded in the flat position except for consumables which are designed exclusively for welding in another position in which case that position shall be used for welding. The welding shall be started after applying any preheating requirements given in the consumable standard. The interpass temperature shall also be in accordance with the consumable standard.

The preheat and interpass temperatures shall be measured using temperature indicator crayons, surface thermometers or thermocouples, see ISO 13916.

The welding conditions used, such as current, voltage, travel speed, weld run sequence, weld bead size, shall be in accordance with the limits specified in the relevant consumable standard.

7 Heat treatment

All heat treatments required for the weld metal, except hydrogen removal treatment, shall be carried out on the test piece, or on sections thereof with a machining allowance.

The heat treatments are specified in standards relating to welding consumables.

Hydrogen removal treatment may be carried out on the test piece for tensile testing before or after final machining. The test piece may be held at a temperature not exceeding 250 °C for up to 16 h.

8 Position of test specimens and test specimen dimensions

Figures 2 and 3 respectively show the position of the tensile test specimen and of the notched impact specimens. The test pieces shall be divided by cutting (machining) or by thermal cutting. In the case of thermal cutting, machining allowances of 10 mm at least on either side shall be provided for the subsequent machining of the specimens.

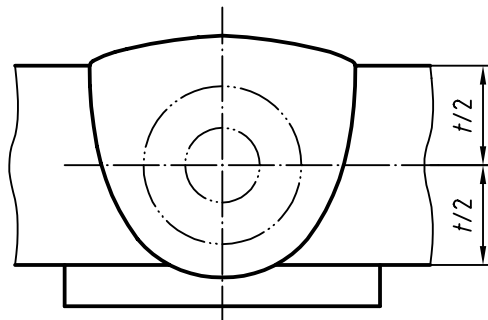


Figure 2 — Position of the tensile specimen in the test piece

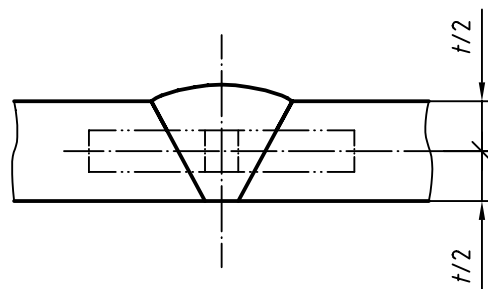


Figure 3 — Position of the notched bar impact specimen in the test pieces

The tensile test specimens shall be in accordance with ISO 5178. Apart from type 1.0 and 1.1 test pieces, for which the diameter shall be 8 mm, the specimens shall have a diameter of 10 mm in the gauge length.

The impact specimens shall be in accordance with the designation VWT 0/b in ISO 9016:2000. The position of the impact specimen shall be at the midline of the plate thickness.

The size of impact specimens shall be 10 mm × 10 mm.

9 Retests

If any test fails, repeat tests shall be performed in accordance with relevant requirements.

10 Test report

The following data shall be reported:

a) test piece and welding consumables:

- test piece type and unique identification;
- test plate material;
- backing strip material;
- standard designation and trade name of the welding consumables and number of buttering layers, if any;
- redrying conditions for welding consumables;
- heat or lot number of the welding consumables;
- diameter of the welding consumables;

b) welding conditions as applicable:

- welding process;
- welding position;
- power source;
- current type and polarity;
- current (and/or wire feed speed), voltage and travel speed;
- distance from contact tube to surface of plate (stick-out);
- type and flow rate of shielding gas;
- number of runs/number of layers;
- stringer bead or weave bead;
- preheating temperature;
- interpass temperature;

c) heat treatment (including hydrogen removal treatment):

- temperature;
- holding time;
- cooling conditions;

d) deviations from this part of ISO 15792;

e) tests results:

- testing temperature;
- radiographic examination, if required;
- yield strength, tensile strength, elongation;

A1 — impact energy; **A1**

- imperfections.

BSI - British Standards Institution

BSI is the independent national body responsible for preparing British Standards. It presents the UK view on standards in Europe and at the international level. It is incorporated by Royal Charter.

Revisions

British Standards are updated by amendment or revision. Users of British Standards should make sure that they possess the latest amendments or editions.

It is the constant aim of BSI to improve the quality of our products and services. We would be grateful if anyone finding an inaccuracy or ambiguity while using this British Standard would inform the Secretary of the technical committee responsible, the identity of which can be found on the inside front cover. Tel: +44 (0)20 8996 9000. Fax: +44 (0)20 8996 7400.

BSI offers members an individual updating service called PLUS which ensures that subscribers automatically receive the latest editions of standards.

Buying standards

Orders for all BSI, international and foreign standards publications should be addressed to Customer Services. Tel: +44 (0)20 8996 9001. Fax: +44 (0)20 8996 7001 Email: orders@bsigroup.com You may also buy directly using a debit/credit card from the BSI Shop on the Website <http://www.bsigroup.com/shop>

In response to orders for international standards, it is BSI policy to supply the BSI implementation of those that have been published as British Standards, unless otherwise requested.

Information on standards

BSI provides a wide range of information on national, European and international standards through its Library and its Technical Help to Exporters Service. Various BSI electronic information services are also available which give details on all its products and services. Contact Information Centre. Tel: +44 (0)20 8996 7111 Fax: +44 (0)20 8996 7048 Email: info@bsigroup.com

Subscribing members of BSI are kept up to date with standards developments and receive substantial discounts on the purchase price of standards. For details of these and other benefits contact Membership Administration. Tel: +44 (0)20 8996 7002 Fax: +44 (0)20 8996 7001 Email: membership@bsigroup.com

Information regarding online access to British Standards via British Standards Online can be found at <http://www.bsigroup.com/BSOL>

Further information about BSI is available on the BSI website at <http://www.bsigroup.com>

Copyright

Copyright subsists in all BSI publications. BSI also holds the copyright, in the UK, of the publications of the international standardization bodies. Except as permitted under the Copyright, Designs and Patents Act 1988 no extract may be reproduced, stored in a retrieval system or transmitted in any form or by any means – electronic, photocopying, recording or otherwise – without prior written permission from BSI.

This does not preclude the free use, in the course of implementing the standard, of necessary details such as symbols, and size, type or grade designations. If these details are to be used for any other purpose than implementation then the prior written permission of BSI must be obtained.

Details and advice can be obtained from the Copyright and Licensing Manager. Tel: +44 (0)20 8996 7070 Email: copyright@bsigroup.com