

BS EN ISO 15630-1:2010



BSI Standards Publication

# Steel for the reinforcement and prestressing of concrete — Test methods

Part 1: Reinforcing bars, wire rod and wire

**bsi.**

...making excellence a habit.™

Version correct as of 03/01/2015. (c) The British Standards Institution 2013 Licensed copy: Lee Shau Kee Library, HKUST

Version correct as of 03/01/2015. (c) The British Standards Institution 2013 Licensed copy: Lee Shau Kee Library, HKUST

### National foreword

This British Standard is the UK implementation of EN ISO 15630-1:2010. It supersedes BS EN ISO 15630-1:2002 which is withdrawn.

The UK participation in its preparation was entrusted to Technical Committee ISE/104, Concrete Reinforcing and Pre-Stressing Steels.

A list of organizations represented on this committee can be obtained on request to its secretary.

This publication does not purport to include all the necessary provisions of a contract. Users are responsible for its correct application.

© BSI 2010

ISBN 978 0 580 58489 3

ICS 77.140.15; 91.080.40

**Compliance with a British Standard cannot confer immunity from legal obligations.**

This British Standard was published under the authority of the Standards Policy and Strategy Committee on 30 November 2010.

### Amendments issued since publication

Date	Text affected
------	---------------

---

English Version

**Steel for the reinforcement and prestressing of concrete - Test methods - Part 1: Reinforcing bars, wire rod and wire (ISO 15630-1:2010)**

Aciers pour l'armature et la précontrainte du béton -  
Méthodes d'essai - Partie 1: Barres, fils machine et fils pour  
béton armé (ISO 15630-1:2010)

Stähle für die Bewehrung und das Vorspannen von Beton -  
Prüfverfahren - Teil 1: Bewehrungsstäbe, -walzdraht und -  
draht (ISO 15630-1:2010)

This European Standard was approved by CEN on 14 October 2010.

CEN members are bound to comply with the CEN/CENELEC Internal Regulations which stipulate the conditions for giving this European Standard the status of a national standard without any alteration. Up-to-date lists and bibliographical references concerning such national standards may be obtained on application to the CEN Management Centre or to any CEN member.

This European Standard exists in three official versions (English, French, German). A version in any other language made by translation under the responsibility of a CEN member into its own language and notified to the CEN Management Centre has the same status as the official versions.

CEN members are the national standards bodies of Austria, Belgium, Bulgaria, Croatia, Cyprus, Czech Republic, Denmark, Estonia, Finland, France, Germany, Greece, Hungary, Iceland, Ireland, Italy, Latvia, Lithuania, Luxembourg, Malta, Netherlands, Norway, Poland, Portugal, Romania, Slovakia, Slovenia, Spain, Sweden, Switzerland and United Kingdom.



EUROPEAN COMMITTEE FOR STANDARDIZATION  
COMITÉ EUROPÉEN DE NORMALISATION  
EUROPÄISCHES KOMITEE FÜR NORMUNG

**Management Centre: Avenue Marnix 17, B-1000 Brussels**

## Foreword

The text of ISO 15630-1:2010 has been prepared by Technical Committee ISO/TC 17 "Steel" of the International Organization for Standardization (ISO) and has been taken over as EN ISO 15630-1:2010 by Technical Committee ECISS/TC 104 "Concrete reinforcing and prestressing steels" the secretariat of which is held by DIN.

This European Standard shall be given the status of a national standard, either by publication of an identical text or by endorsement, at the latest by April 2011, and conflicting national standards shall be withdrawn at the latest by April 2011.

Attention is drawn to the possibility that some of the elements of this document may be the subject of patent rights. CEN [and/or CENELEC] shall not be held responsible for identifying any or all such patent rights.

This document supersedes EN ISO 15630-1:2002.

According to the CEN/CENELEC Internal Regulations, the national standards organizations of the following countries are bound to implement this European Standard: Austria, Belgium, Bulgaria, Croatia, Cyprus, Czech Republic, Denmark, Estonia, Finland, France, Germany, Greece, Hungary, Iceland, Ireland, Italy, Latvia, Lithuania, Luxembourg, Malta, Netherlands, Norway, Poland, Portugal, Romania, Slovakia, Slovenia, Spain, Sweden, Switzerland and the United Kingdom.

### Endorsement notice

The text of ISO 15630-1:2010 has been approved by CEN as a EN ISO 15630-1:2010 without any modification.

# Contents

Page

Foreword .....	v
Introduction.....	vi
<b>1</b> <b>Scope</b> .....	<b>1</b>
<b>2</b> <b>Normative references</b> .....	<b>1</b>
<b>3</b> <b>Symbols</b> .....	<b>1</b>
<b>4</b> <b>General provisions concerning test pieces</b> .....	<b>3</b>
<b>5</b> <b>Tensile test</b> .....	<b>3</b>
5.1 <b>Test piece</b> .....	<b>3</b>
5.2 <b>Test equipment</b> .....	<b>3</b>
5.3 <b>Test procedure</b> .....	<b>4</b>
<b>6</b> <b>Bend test</b> .....	<b>5</b>
6.1 <b>Test piece</b> .....	<b>5</b>
6.2 <b>Test equipment</b> .....	<b>5</b>
6.3 <b>Test procedure</b> .....	<b>5</b>
6.4 <b>Interpretation of test results</b> .....	<b>6</b>
<b>7</b> <b>Rebend test</b> .....	<b>6</b>
7.1 <b>Test piece</b> .....	<b>6</b>
7.2 <b>Test equipment</b> .....	<b>6</b>
7.2.1 <b>Bending device</b> .....	<b>6</b>
7.2.2 <b>Rebending device</b> .....	<b>6</b>
7.3 <b>Test procedure</b> .....	<b>6</b>
7.3.1 <b>General</b> .....	<b>6</b>
7.3.2 <b>Bending</b> .....	<b>7</b>
7.3.3 <b>Artificial ageing</b> .....	<b>7</b>
7.3.4 <b>Rebending</b> .....	<b>7</b>
7.4 <b>Interpretation of test results</b> .....	<b>7</b>
<b>8</b> <b>Axial force fatigue test</b> .....	<b>8</b>
8.1 <b>Principle of test</b> .....	<b>8</b>
8.2 <b>Test piece</b> .....	<b>8</b>
8.3 <b>Test equipment</b> .....	<b>8</b>
8.4 <b>Test procedure</b> .....	<b>9</b>
8.4.1 <b>Provisions concerning the test piece</b> .....	<b>9</b>
8.4.2 <b>Upper force (<math>F_{up}</math>) and force range (<math>F_r</math>)</b> .....	<b>9</b>
8.4.3 <b>Stability of force and frequency</b> .....	<b>9</b>
8.4.4 <b>Counting of force cycles</b> .....	<b>9</b>
8.4.5 <b>Frequency</b> .....	<b>9</b>
8.4.6 <b>Temperature</b> .....	<b>9</b>
8.4.7 <b>Validity of the test</b> .....	<b>9</b>
<b>9</b> <b>Chemical analysis</b> .....	<b>9</b>
<b>10</b> <b>Measurement of the geometrical characteristics</b> .....	<b>10</b>
10.1 <b>Test piece</b> .....	<b>10</b>
10.2 <b>Test equipment</b> .....	<b>10</b>
10.3 <b>Test procedure</b> .....	<b>10</b>
10.3.1 <b>Heights of transverse ribs or depths of indentations</b> .....	<b>10</b>
10.3.2 <b>Height of longitudinal ribs (<math>a'</math>)</b> .....	<b>10</b>
10.3.3 <b>Transverse rib or indentation spacing (<math>c</math>)</b> .....	<b>10</b>
10.3.4 <b>Pitch (<math>P</math>)</b> .....	<b>11</b>

10.3.5	Part of the circumference without ribs or indentations ( $\Sigma e_i$ ).....	11
10.3.6	Transverse rib or indentation angle ( $\beta$ ) .....	11
10.3.7	Transverse rib flank inclination ( $\alpha$ ).....	11
10.3.8	Width of transverse rib or width of indentation ( $b$ ) .....	13
11	Determination of the relative rib or indentation area ( $f_R$ or $f_P$ ).....	13
11.1	Introduction .....	13
11.2	Measurements.....	13
11.3	Calculation of $f_R$ .....	13
11.3.1	Relative rib area .....	13
11.3.2	Simplified formulae.....	14
11.3.3	Formula used for the calculation of $f_R$ .....	14
11.4	Calculation of $f_P$ .....	15
11.4.1	Relative indentation area .....	15
11.4.2	Simplified formulae.....	15
11.4.3	Formula used for the calculation of $f_P$ .....	16
12	Determination of deviation from nominal mass per metre.....	16
12.1	Test piece .....	16
12.2	Accuracy of measurement.....	16
12.3	Test procedure .....	16
13	Test report .....	17
	Bibliography .....	18

## Foreword

ISO (the International Organization for Standardization) is a worldwide federation of national standards bodies (ISO member bodies). The work of preparing International Standards is normally carried out through ISO technical committees. Each member body interested in a subject for which a technical committee has been established has the right to be represented on that committee. International organizations, governmental and non-governmental, in liaison with ISO, also take part in the work. ISO collaborates closely with the International Electrotechnical Commission (IEC) on all matters of electrotechnical standardization.

International Standards are drafted in accordance with the rules given in the ISO/IEC Directives, Part 2.

The main task of technical committees is to prepare International Standards. Draft International Standards adopted by the technical committees are circulated to the member bodies for voting. Publication as an International Standard requires approval by at least 75 % of the member bodies casting a vote.

Attention is drawn to the possibility that some of the elements of this document may be the subject of patent rights. ISO shall not be held responsible for identifying any or all such patent rights.

ISO 15630-1 was prepared by Technical Committee ISO/TC 17, *Steel*, Subcommittee SC 16, *Steels for the reinforcement and prestressing of concrete*.

This second edition cancels and replaces the first edition (ISO 15630-1:2002), which has been technically revised.

ISO 15630 consists of the following parts, under the general title *Steel for the reinforcement and prestressing of concrete — Test methods*:

- *Part 1: Reinforcing bars, wire rod and wire*
- *Part 2: Welded fabric*
- *Part 3: Prestressing steel*

## **Introduction**

The aim of ISO 15630 is to provide all relevant test methods for reinforcing and prestressing steels in one standard. In that context, the existing International Standards for testing these products have been revised and updated. Some further test methods have been added.

Reference is made to International Standards on the testing of metals, in general, as they are applicable. Complementary provisions have been given if needed.



# Steel for the reinforcement and prestressing of concrete — Test methods —

## Part 1: Reinforcing bars, wire rod and wire

### 1 Scope

This part of ISO 15630 specifies test methods applicable to reinforcing bars, wire rod and wire for concrete.

### 2 Normative references

The following referenced documents are indispensable for the application of this document. For dated references, only the edition cited applies. For undated references, the latest edition of the referenced document (including any amendments) applies.

ISO 6892-1, *Metallic materials — Tensile testing — Part 1: Method of test at room temperature*

ISO 7500-1, *Metallic materials — Verification of static uniaxial testing machines — Part 1: Tension/compression testing machines — Verification and calibration of the force-measuring system*

ISO 9513, *Metallic materials — Calibration of extensometers used in uniaxial testing*

### 3 Symbols

The symbols used in this part of ISO 15630 are given in Table 1.

Table 1 — Symbols

Symbol	Unit	Description	Reference
$a'$	mm	Height of longitudinal rib	10.3.2, 11.3
$a_m$	mm	Rib height at the mid-point or indentation depth in the centre	10.3.1.2, 11.3.2, 11.4.2
$a_{\max}^a$	mm	Maximum height of transverse rib or maximum indentation depth	10.3.1.1
$a_{s,i}$	mm	Average height of a portion $i$ of a rib subdivided into $p$ parts of length $\Delta l$ , or average depth of a portion $i$ of an indentation subdivided into $p$ parts of width $\Delta b$	11.3.1, 11.4.1
$a_{1/4}$	mm	Rib height at the quarter-point or indentation depth at the quarter of their width	10.3.1.2, 11.3.2, 11.4.2
$a_{3/4}$	mm	Rib height at the three-quarters point or indentation depth at the three-quarters of their width	10.3.1.2, 11.3.2, 11.4.2
$A$	%	Percentage elongation after fracture	5.1, 5.3
$A_g$	%	Percentage non-proportional elongation at maximum force ( $F_m$ )	5.3

Table 1 (continued)

Symbol	Unit	Description	Reference
$A_{gt}$	%	Percentage total elongation at maximum force ( $F_m$ )	Clause 5
$b$	mm	Width of transversal rib at the mid-point or width of indentation	10.3.8
$c$	mm	Transverse rib or indentation spacing	10.3.3, 11.3
$d$	mm	Nominal diameter of the bar, wire rod or wire	5.3, 8.2, 8.4.7, 11.3
$D$	mm	Diameter of the mandrel of the bending device in the bend or rebend test	6.3, 7.3.2
$e$	mm	Average gap between two adjacent rib or indentation rows	10.3.5
$f$	Hz	Frequency of force cycles in the fatigue test	8.1, 8.4.3
$f_P$	—	Relative indentation area	Clause 11
$f_R$	—	Relative rib area	Clause 11
$F_m$	N	Maximum force in the tensile test	5.3
$F_P$	mm <sup>2</sup>	Area of the longitudinal section of one indentation	11.4.1
$F_r$	N	Force range in the axial force fatigue test	8.1, 8.3, 8.4.2, 8.4.3
$F_R$	mm <sup>2</sup>	Area of the longitudinal section of one rib	11.3.1
$F_{up}$	N	Upper force in the axial force fatigue test	8.1, 8.3, 8.4.2, 8.4.3
$l$	mm	Length of the transverse rib at the rib-core interface	Figure 6
$n, m, q, p$	—	Quantities used in formulae defining $f_R, f_P, F_R$ and $F_P$	11.3, 11.4
$P$	mm	Pitch for cold-twisted bars	10.3.4, 11.3
$r_1$	mm	Distance between the grips and the gauge length for the manual measurement of $A_{gt}$	5.3
$r_2$	mm	Distance between the fracture and the gauge length for the manual measurement of $A_{gt}$	5.3
$R_{eH}$	MPa	Upper yield strength	5.3
$R_m$	MPa	Tensile strength	5.3
$R_{p0,2}$	MPa	0,2 % proof strength, non-proportional extension	5.2, 5.3
$S_n$	mm <sup>2</sup>	Nominal cross-sectional area of the bar, rod or wire rod	8.4.2
$\alpha$	°	Transverse rib flank inclination	10.3.7
$\beta$	°	Angle between the axis of a transverse rib or indentation and the bar, wire rod or wire axis	10.3.6, 11.3
$\gamma$	°	Angle of bend in the bend or rebend test	6.3, 7.3.1 (Figure 4), 7.3.2
$\Delta l$	mm	Incremental part of the length of the transverse rib at the rib-core interface	Figure 6
$\delta$	°	Angle of rebend in the rebend test	7.3.1 (Figure 4), 7.3.4
$\lambda$	—	Empirical factor in empirical formulae of $f_R$ and $f_P$	11.3.2, 11.4.2
$2\sigma_a$	MPa	Stress range in the axial force fatigue test	8.4.2
$\sigma_{max}$	MPa	Maximum stress in the axial force fatigue test	8.4.2
$\sum e_i$	mm	Part of the circumference without indentation or rib	10.3.5, 11.3.2, 11.4.2

NOTE 1 MPa = 1 N/mm<sup>2</sup>.

<sup>a</sup> In some product standards, the symbol  $h$  is also used for this parameter.

## 4 General provisions concerning test pieces

Unless otherwise agreed or specified in the product standard, the test piece shall be taken from the bar, wire rod or wire in the as-delivered condition.

In the case of a test piece taken from coil, the test piece shall be straightened prior to any tests by a bend operation with a minimum amount of plastic deformation.

NOTE The straightness of the test piece is critical for the tensile test and the fatigue test.

The means of straightening the test piece (manual, machine) shall be indicated in the test report<sup>1)</sup>.

For the determination of the mechanical properties in the tensile test and the fatigue test, the test piece may be artificially aged (after straightening if applicable), depending on the requirements of the product standard.

If the product standard does not specify the ageing treatment, the following conditions should be applied: heating the test piece to 100 °C, maintaining at this temperature  $\pm 10$  °C for a period of  $1 \text{ h}_0^{+15}$  min and then cooling in still air to ambient temperature.

If an ageing treatment is applied to the test piece, the conditions of the ageing treatment shall be stated in the test report.

## 5 Tensile test

### 5.1 Test piece

In addition to the general provisions given in Clause 4, the free length of the test piece shall be sufficient for the determination of the percentage elongations in accordance with 5.3.

If the percentage elongation after fracture ( $A$ ) is determined manually, the test piece shall be marked in accordance with ISO 6892-1.

If the percentage total elongation at maximum force ( $A_{gt}$ ) is determined by the manual method, equidistant marks shall be made on the free length of the test piece (see ISO 6892-1). The distance between the marks shall be 20 mm, 10 mm or 5 mm, depending on the test piece diameter.

### 5.2 Test equipment

The testing machine shall be verified and calibrated in accordance with ISO 7500-1 and shall be at least of class 1.

If an extensometer is used, it shall be of class 1 in accordance with ISO 9513 for the determination of  $R_{p0,2}$ ; for the determination of  $A_{gt}$ , a class 2 extensometer (see ISO 9513) can be used.

Any extensometer used for the determination of the percentage total elongation at maximum force ( $A_{gt}$ ) shall have a gauge length of at least 100 mm. The gauge length shall be indicated in the test report.

---

1) For routine tests conducted by the reinforcing steel producers, the test information, including the test piece condition and method of straightening, should be contained within internal documentation.

### 5.3 Test procedure

The tensile test shall be carried out in accordance with ISO 6892-1. For the determination of  $R_{p0,2}$ , if the straight portion of the force-extension diagram is limited or not clearly defined, one of the following methods shall be applied:

- the procedure recommended in ISO 6892-1;
- the straight portion of the force-extension diagram shall be considered as the line joining the points corresponding to  $0,2F_m$  and  $0,5F_m$ .

In case of dispute, the second procedure shall be applied.

The test may be considered invalid if the slope of this line differs by more than 10 % from the theoretical value of the modulus of elasticity.

For the calculation of tensile properties ( $R_{eH}$  or  $R_{p0,2}$ ,  $R_m$ ), the nominal cross-sectional area shall be used, unless otherwise specified in the relevant product standard.

Where fracture occurs in the grips or at a distance from the grips less than 20 mm or  $d$  (whichever is the greater), the test may be considered as invalid.

For the determination of percentage elongation after fracture ( $A$ ), the original gauge length shall be 5 times the nominal diameter ( $d$ ), unless otherwise specified in the relevant product standard. In case of dispute,  $A$  shall be determined manually.

For the determination of the percentage total elongation at maximum force ( $A_{gt}$ ), ISO 6892-1 shall be applied with the following modification:

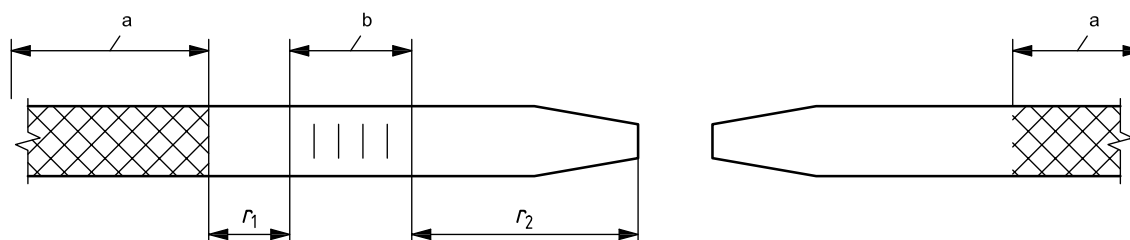
- if  $A_{gt}$  is determined by the manual method after fracture,  $A_{gt}$  shall be calculated from the following formula:

$$A_{gt} = A_g + R_m / 2\ 000 \quad (1)$$

where  $A_g$  is the percentage non-proportional elongation at maximum force.

The measurement of  $A_g$  shall be made on the longer of the two broken parts of the test piece on a gauge length of 100 mm, as close as possible to the fracture but at a distance,  $r_2$ , of at least 50 mm or  $2d$  (whichever is the greater) away from the fracture. This measurement may be considered as invalid if the distance,  $r_1$ , between the grips and the gauge length is less than 20 mm or  $d$  (whichever is the greater). See Figure 1.

In case of dispute, the manual method shall apply.



- a Grip length.
- b Gauge length 100 mm.

Figure 1 — Measurement of  $A_{gt}$  by the manual method

## 6 Bend test

### 6.1 Test piece

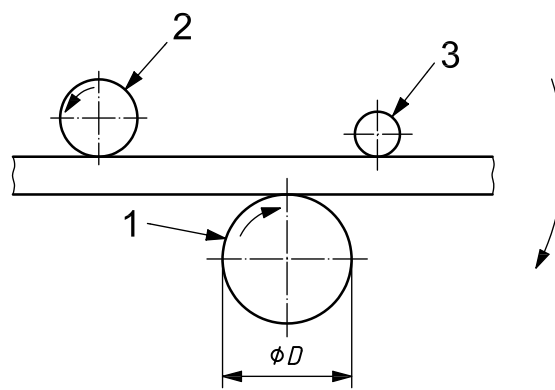
The general provisions in Clause 4 apply.

### 6.2 Test equipment

**6.2.1** A bending device, the principle of which is shown in Figure 2, shall be used.

NOTE Figure 2 shows a configuration where the mandrel and support rotate and the carrier is locked. It is also possible that the carrier rotates and the support or mandrel is locked.

**6.2.2** The bend test may also be carried out by using a device with supports and a mandrel (e.g. see ISO 7438).



#### Key

- 1 mandrel
- 2 support
- 3 carrier

**Figure 2 — Principle of a bending device**

### 6.3 Test procedure

The bend test shall be carried out at a temperature between 10 °C and 35 °C, unless otherwise agreed by the parties involved.

For testing at a low temperature, if the agreement does not specify all the testing conditions, a deviation of  $\pm 2$  °C on the agreed temperature should be applied. The test piece should be immersed in the cooling medium for a sufficient time to ensure that the required temperature is reached throughout the test piece (for example, at least 10 min in a liquid medium or at least 30 min in a gaseous medium). The bend test should start within 5 s from removal from the medium. The transfer device should be designed and used in such a way that the temperature of the test piece is maintained within the temperature range.

The test piece shall be bent over a mandrel.

The angle of bend ( $\gamma$ ) and the diameter of the mandrel ( $D$ ) shall be in accordance with the relevant product standard.

## 6.4 Interpretation of test results

The interpretation of the bend test shall be carried out in accordance with the requirements of the relevant product standard.

If these requirements are not specified, the absence of cracks visible to a person with normal or corrected vision is considered as evidence that the test piece withstood the bend test.

A superficial ductile tear may occur at the base of the ribs or indentations and is not considered to be a failure. The tear may be considered superficial when the depth of the tear is not greater than the width of the tear.

## 7 Rebend test

### 7.1 Test piece

The general provisions given in Clause 4 apply.

### 7.2 Test equipment

#### 7.2.1 Bending device

A bending device as specified in 6.2 shall be used.

#### 7.2.2 Rebending device

Rebending can be performed on a bending device as shown in Figure 2. An example of an alternative rebending device is shown in Figure 3.

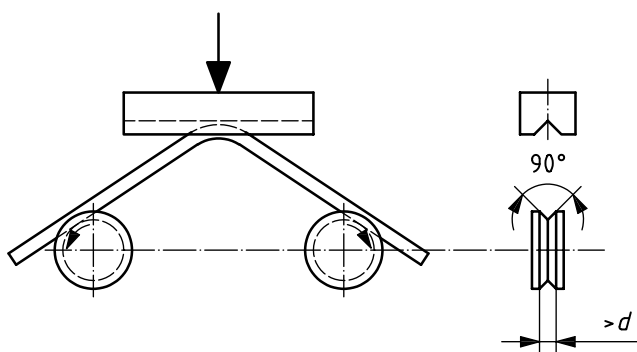


Figure 3 — Example of a rebending device

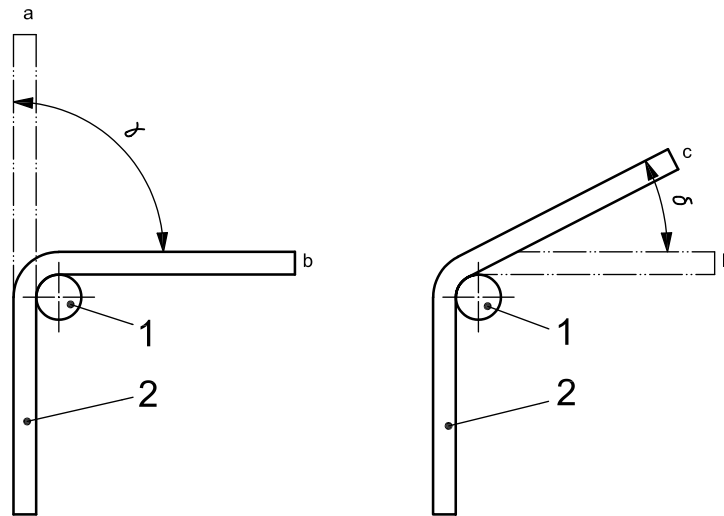
### 7.3 Test procedure

#### 7.3.1 General

The test procedure consists of three steps:

- bending;
- artificial ageing;
- rebending.

The test procedure is illustrated in Figure 4.



**Key**

- 1 mandrel
- 2 test piece
- a Initial position.
- b Position after operation described in 7.3.2.
- c Position after operation described in 7.3.4.

**Figure 4 — Illustration of the test procedure for rebend tests**

**7.3.2 Bending**

Bending shall be performed at a temperature between 10 °C and 35 °C. The test piece shall be bent over a mandrel.

The angle of bend ( $\gamma$ ) and diameter of mandrel ( $D$ ) shall be in accordance with the relevant product standard.

The test piece shall be carefully inspected for cracks and fissures visible to a person with normal or corrected vision.

**7.3.3 Artificial ageing**

The temperature and time of artificial ageing shall be in accordance with the relevant product standard.

If the product standard does not specify any ageing treatment, the conditions specified in Clause 4 should be applied.

**7.3.4 Rebending**

After free cooling in still air to a temperature between 10 °C and 35 °C, the test piece shall be bent back by a specified angle ( $\delta$ ) in accordance with the relevant product standard.

**7.4 Interpretation of test results**

The interpretation of the rebend test shall be carried out in accordance with the requirements of the relevant product standard.

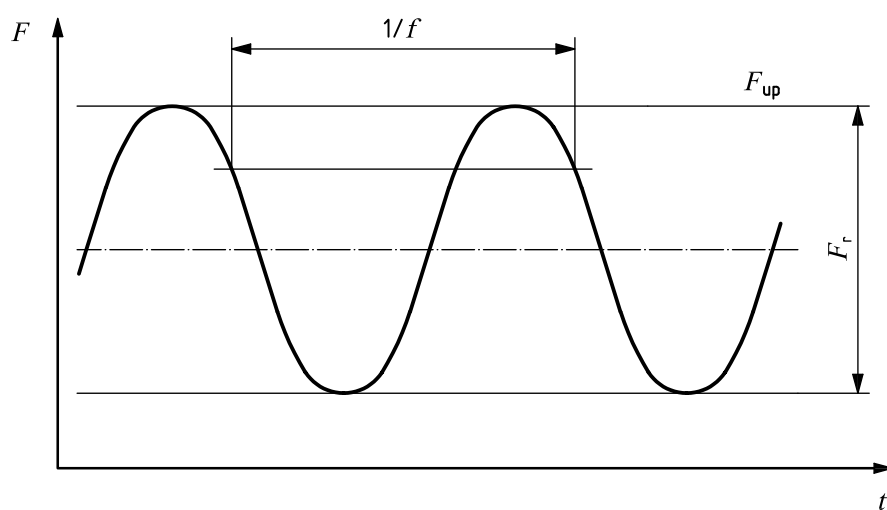
If these requirements are not specified, absence of cracks visible to a person with a normal or corrected vision is considered as evidence that the test piece has withstood the rebend test.

A superficial ductile tear may occur at the base of the ribs or indentations and is not considered to be a failure. The tear may be considered superficial when the depth of the tear is not greater than the width of the tear.

## 8 Axial force fatigue test

### 8.1 Principle of test

The axial force fatigue test consists of submitting the test piece to an axial tensile force, which varies cyclically according to a sinusoidal wave-form of constant frequency  $f$  (see Figure 5) in the elastic range. The test is carried out until failure of the test piece or until reaching the number of force cycles specified in the relevant product standard, without failure.



#### Key

$F$  force

$t$  time

Figure 5 — Force cycle diagram

### 8.2 Test piece

The general provisions given in Clause 4 apply. For the straightening of the test piece, a production machine may be used.

The surface of the free length between the grips shall not be subjected to any surface treatment of any kind. The free length shall be at least 140 mm or  $14d$  (whichever is the greater).

### 8.3 Test equipment

The fatigue-testing machine shall be calibrated in accordance with ISO 7500-1. The relative error of accuracy shall be less than or equal to  $\pm 1\%$ . The testing machine shall be capable of maintaining the upper force,  $F_{up}$ , within  $\pm 2\%$  of the specified value, and the force range,  $F_r$ , within  $\pm 4\%$  of the specified value.



## 8.4 Test procedure

### 8.4.1 Provisions concerning the test piece

The test piece shall be gripped in the test equipment in such a way that force is transmitted axially and free of any bending moment along the test piece.

### 8.4.2 Upper force ( $F_{\text{up}}$ ) and force range ( $F_r$ )

The upper force ( $F_{\text{up}}$ ) and the force range ( $F_r$ ) shall be as given in the relevant product standard.

NOTE  $F_{\text{up}}$  and  $F_r$  can be deduced from the maximum stress ( $\sigma_{\text{max}}$ ) and the stress range ( $2\sigma_a$ ) given in the relevant product standard as follows:

$$F_{\text{up}} = \sigma_{\text{max}} \cdot S_n \quad (2)$$

$$F_r = 2\sigma_a \cdot S_n \quad (3)$$

where  $S_n$  is the nominal cross-sectional area of the bar, wire rod or wire.

### 8.4.3 Stability of force and frequency

The test shall be carried out under conditions of stable upper force ( $F_{\text{up}}$ ), force range ( $F_r$ ) and frequency ( $f$ ). There shall be no planned interruptions in the cyclic loading throughout the test. However, it is permissible to continue a test which is accidentally interrupted. Any interruption shall be reported; an interrupted test may be considered as invalid.

### 8.4.4 Counting of force cycles

The number of force cycles shall be counted inclusively from the first full force-range cycle.

### 8.4.5 Frequency

The frequency of force cycles shall be stable during the test and also during a series of tests. It shall be between 1 Hz and 200 Hz.

### 8.4.6 Temperature

The temperature of the test piece shall not exceed 40 °C throughout the test. The temperature of the testing laboratory shall be between 10 °C and 35 °C, unless otherwise specified.

### 8.4.7 Validity of the test

If failure occurs in the grips or within a distance of  $2d$  of the grips, or initiates at an exceptional feature of the test piece, the test may be considered as invalid.

## 9 Chemical analysis

In general, the chemical composition is determined by spectrometric methods.

In case of dispute about analytical methods, the chemical composition shall be determined by an appropriate reference method specified in one of the relevant International Standards.

NOTE The list of the relevant International Standards for the determination of the chemical composition is given in the Bibliography.

## 10 Measurement of the geometrical characteristics

### 10.1 Test piece

The general provisions given in Clause 4 apply.

The length of the test piece shall be sufficient to allow the measurements in accordance with 10.3.

### 10.2 Test equipment

The geometrical characteristics shall be measured with an instrument of a resolution of at least the following:

- 0,01 mm for the height of transverse or longitudinal ribs and depth of indentations for the measurements less than or equal to 1 mm;
- 0,02 mm for the height of transverse or longitudinal ribs and depth of indentations for the measurements greater than 1 mm;
- 0,05 mm for the gap between the transverse ribs or indentations of two adjacent transverse rib or indentation rows;
- 0,5 mm for the distance between transverse ribs or indentations when determining the transverse rib or indentation spacing (see 10.3.3) or for the distance between two corresponding points of a longitudinal rib of cold-twisted products when determining the pitch (see 10.3.4);
- one degree for the inclination between the transverse rib or indentation and the longitudinal axis of the bar, wire rod or wire or the rib flank inclination.

In cases of dispute, conventional direct-reading instruments, e.g. callipers, depth gauges, shall be used.

### 10.3 Test procedure

#### 10.3.1 Heights of transverse ribs or depths of indentations

##### 10.3.1.1 Maximum value ( $a_{\max}$ )

The maximum height of transverse ribs or depth of indentations ( $a_{\max}$ ) shall be determined as the mean of at least three measurements per row of the maximum height of individual transverse ribs or maximum depth of individual indentations not used for the identification of the bar, wire rod or wire.

##### 10.3.1.2 Value at a given position

The height of transverse ribs or depth of indentations at a given position, e.g. at the quarter-point or at the mid-point or at the three-quarters point, respectively designated  $a_{1/4}$ ,  $a_m$  and  $a_{3/4}$ , shall be determined as the mean of at least three measurements in this position per row on different transverse ribs or indentations not used for the identification of the bar, wire rod or wire.

##### 10.3.2 Height of longitudinal ribs ( $a'$ )

The height of longitudinal ribs ( $a'$ ) shall be determined as the mean of at least three measurements of the height of each longitudinal rib at three different positions.

##### 10.3.3 Transverse rib or indentation spacing ( $c$ )

The spacing of the transverse ribs or indentations ( $c$ ) shall be determined from the measured length divided by the number of the rib gaps or protrusions between indentations included in it.

The measured length is deemed to be the interval between the centre of a rib or indentation and the centre of another rib or indentation on the same row of the product determined in a straight line and parallel to the longitudinal axis of the product. The measured length shall be

- at least 10 rib gaps or protrusions between indentations, or
- one pitch length for cold-twisted products.

#### **10.3.4 Pitch ( $P$ )**

The pitch ( $P$ ) for cold-twisted bars shall be determined as the mean of the distances between two consecutive corresponding points of a longitudinal rib on the same longitudinal line, for each longitudinal rib.

#### **10.3.5 Part of the circumference without ribs or indentations ( $\Sigma e_i$ )**

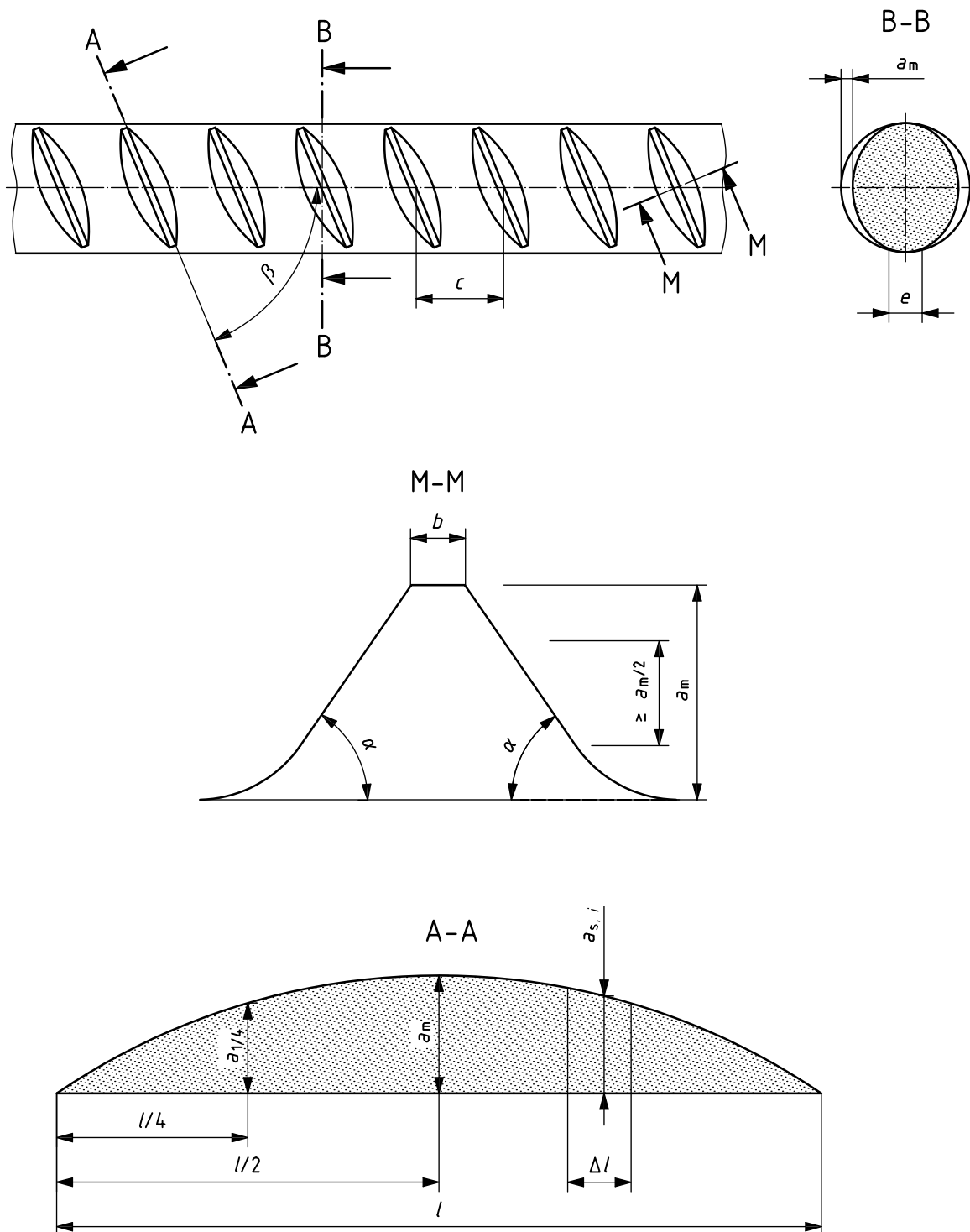
The part of the circumference without ribs or indentations ( $\Sigma e_i$ ) shall be determined as the sum of the average gap ( $e$ ) between each pair of two adjacent ribs or indentation rows. The average gap ( $e$ ) shall be determined from at least three measurements.

#### **10.3.6 Transverse rib or indentation angle ( $\beta$ )**

The transverse rib or indentation angle ( $\beta$ ) to the longitudinal bar, wire rod or wire axis shall be determined as the mean of the individual angles measured for each row of ribs or indentations with the same nominal angle.

#### **10.3.7 Transverse rib flank inclination ( $\alpha$ )**

Each transverse rib flank inclination ( $\alpha$ ) shall be determined as the mean of the individual inclinations on the same side of the ribs, measured as indicated in Figure 6 on at least two different transverse ribs per row not used for the identification of the bar, wire rod or wire.



NOTE Section A-A is a flattened representation of a transverse rib.

**Figure 6 — Determination of the rib flank inclination ( $\alpha$ ) and determination of the area of the longitudinal section of one rib ( $F_R$ )**

The transverse rib flank inclination ( $\alpha$ ) shall be measured by determining the line of best fit between two points on the slope, far enough apart to give a representation of the inclined angle, but avoiding the slope at the extreme ends of the base and peak of the ribs, e.g. as shown in Figure 6.

### 10.3.8 Width of transverse rib or width of indentation ( $b$ )

The width of transverse rib ( $b$ ) shall be determined as the mean of three measurements on each row, at the mid-point of the rib, made normal to the axis of the rib. Only ribs which are not used for identification shall be considered.

The width of indentation ( $b$ ) shall be determined as the mean of three measurements on each row made parallel to the longitudinal axis of the bar, wire rod or wire along a line crossing the indentation at the surface level of the bar, wire rod or wire.

## 11 Determination of the relative rib or indentation area ( $f_R$ or $f_P$ )

### 11.1 Introduction

The interaction between steel and concrete permits mutual force transfer.

The main effect on bond is given by the shear bond caused by ribs or indentations on the surface of the reinforcing steel.

In the case of ribbed or indented reinforcing steel, the bond behaviour can be determined by different methods:

- measurement of the geometric characteristics of the ribs or indentations;
- measurement of the interaction between the concrete and reinforcing steel in a pull-out test or beam test.

On the basis of the geometric data, a bond factor, called relative rib area ( $f_R$ ) or relative indentation area ( $f_P$ ) is computed.

### 11.2 Measurements

The determination of the relative rib or indentation area ( $f_R$  or  $f_P$ ) shall be carried out using the results of measurements of the geometrical characteristics made in accordance with Clause 10.

### 11.3 Calculation of $f_R$

#### 11.3.1 Relative rib area

The relative rib area is defined by the following formula:

$$f_R = \frac{1}{\pi d} \sum_{i=1}^n \frac{\frac{1}{m} \sum_{j=1}^m F_{R,i,j} \sin \beta_{i,j}}{c_i} + \frac{1}{P} \sum_{k=1}^q a'_k \quad (4)$$

where

- $n$  is the number of rows of transverse ribs on the circumference;
- $m$  is the number of different transverse rib inclinations per row;
- $q$  is the number of longitudinal ribs for cold-twisted bars.

$F_R = \sum_{i=1}^p (a_{s,i} \Delta l)$  is the area of the longitudinal section of one rib (see Figure 6), where  $a_{s,i}$  is the average height of a portion  $i$  of a rib subdivided into  $p$  parts of length  $\Delta l$ .

The second summand applies only for cold-twisted bars and shall only be taken into account up to a value of 30 % of the total value of  $f_R$ .

### 11.3.2 Simplified formulae

Where the general formula given in 11.3.1 is not strictly applied by using special devices, a simplified formula may be used.

Examples of simplified formulae are as follows:

a) Trapezium formula:

$$f_R = (a_{1/4} + a_m + a_{3/4})(\pi d - \sum e_i) \frac{1}{4\pi dc} + \frac{1}{P} qa' \quad (5)$$

b) Simpson's rule formula:

$$f_R = (2a_{1/4} + a_m + 2a_{3/4})(\pi d - \sum e_i) \frac{1}{6\pi dc} + \frac{1}{P} qa' \quad (6)$$

c) Parabola formula:

$$f_R = \frac{2a_m}{3\pi dc} (\pi d - \sum e_i) + \frac{1}{P} qa' \quad (7)$$

d) Empirical formula:

$$f_R = \lambda \frac{a_m}{c} \quad (8)$$

where  $\lambda$  is an empirical factor, which may be shown to relate  $f_R$  to  $a_m/c$  for a particular bar, wire rod or wire profile.

The values  $a_{1/4}$ ,  $a_m$  and  $a_{3/4}$  shall be determined in accordance with 10.3.1.2.

$\sum e_i$  shall be determined in accordance with 10.3.5.

### 11.3.3 Formula used for the calculation of $f_R$

The formula used for the calculation of  $f_R$  shall be in accordance with the product standard and be stated in the test report.

## 11.4 Calculation of $f_P$

### 11.4.1 Relative indentation area

The relative indentation area is defined by the following formula:

$$f_P = \frac{1}{\pi d} \sum_{i=1}^n \frac{F_{P,i} \sin \beta_i}{c_i} \quad (9)$$

In this formula,  $n$  is the number of indentation rows.

$F_P = \sum_{i=1}^p (a_{s,i} \Delta x)$  is the area of the longitudinal section of one indentation (see Figure 7), where  $a_{s,i}$  is the average depth of a portion  $i$  of an indentation subdivided into  $p$  parts of length  $\Delta x$ .

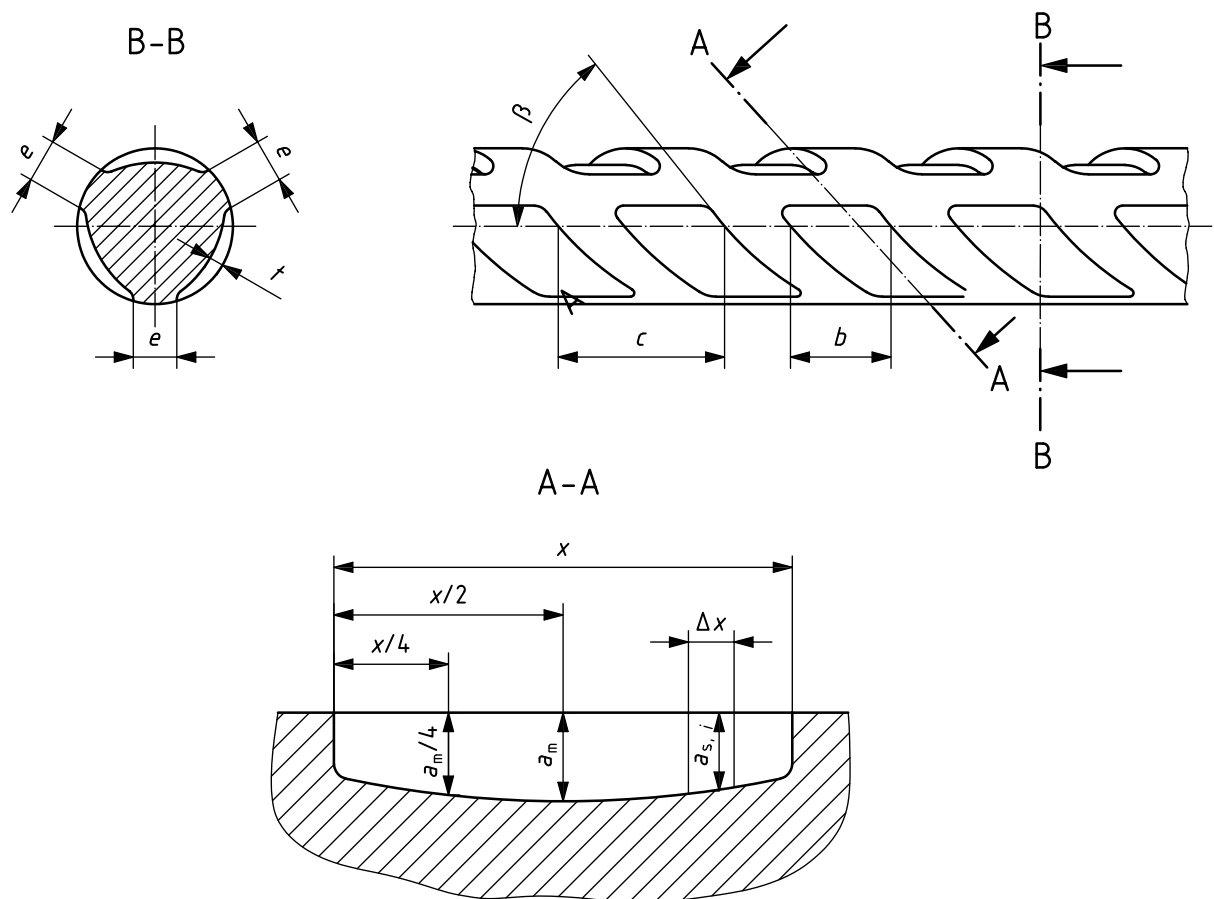


Figure 7 — Determination of the area of the longitudinal section of one indentation  $F_P$

### 11.4.2 Simplified formulae

Where the general formula given in 11.4.1 is not strictly applied by using special devices, a simplified formula may be used.

Examples of simplified formulae are as follows:

a) Trapezium formula:

$$f_P = (a_{1/4} + a_m + a_{3/4})(\pi d - \sum e_i) \frac{1}{4\pi dc} \quad (10)$$

b) Rectangular formula:

$$f_P = (a_{1/4} + a_m + a_{3/4})(\pi d - \sum e_i) \frac{1}{3\pi dc} \quad (11)$$

c) Parabola formula:

$$f_P = \frac{2a_m}{3\pi dc} (\pi d - \sum e_i) \quad (12)$$

d) Empirical formula:

$$f_P = \lambda \frac{a_m}{c} \quad (13)$$

where  $\lambda$  is an empirical factor, which may be shown to relate  $f_P$  to  $a_m/c$  for a particular bar, wire rod or wire profile.

The values  $a_{1/4}$ ,  $a_m$  and  $a_{3/4}$  shall be determined in accordance with 10.3.1.2.

$\sum e_i$  shall be determined in accordance with 10.3.5.

#### 11.4.3 Formula used for the calculation of $f_P$

The formula used for the calculation of  $f_P$  shall be in accordance with the product standard and be stated in the test report.

## 12 Determination of deviation from nominal mass per metre

### 12.1 Test piece

The determination of the deviation from nominal mass per metre shall be carried out on a test piece which shall have square-cut ends.

Variations in the rib/indentation profile related to the marking of the reinforcing bar, wire rod and wire may be taken into account to fix the length of the test piece.

### 12.2 Accuracy of measurement

The length and the mass of the test piece shall be measured with an accuracy of at least  $\pm 0,5$  %.

### 12.3 Test procedure

The percentage deviation from nominal mass per metre shall be determined from the difference between the actual mass per metre of the test piece deduced from its mass and length and the nominal mass per metre as given by the relevant product standard.



### 13 Test report

The test report shall include at least the following information:

- a) a reference to this part of ISO 15630, i.e. ISO 15630-1:2010;
- b) the identification of the test piece (including the nominal diameter of the bar, wire rod or wire);
- c) the free length of the test piece;
- d) the type of test and the relevant test results;
- e) the relevant product standard, when applicable;
- f) any complementary useful information concerning the test piece, test equipment and procedure.

## Bibliography

- [1] ISO 437:1982, *Steel and cast iron — Determination of total carbon content — Combustion gravimetric method*
- [2] ISO 439:1994, *Steel and iron — Determination of total silicon content — Gravimetric method*
- [3] ISO 629:1982, *Steel and cast iron — Determination of manganese content — Spectrophotometric method*
- [4] ISO 671:1982, *Steel and cast iron — Determination of sulphur content — Combustion titrimetric method*
- [5] ISO 4829-1:1986, *Steel and cast iron — Determination of total silicon content — Reduced molybdosilicate spectrophotometric method — Part 1: Silicon contents between 0,05 and 1,0 %*
- [6] ISO 4829-2:1988, *Steel and cast iron — Determination of total silicon content — Reduced molybdosilicate spectrophotometric method — Part 2: Silicon contents between 0,01 and 0,05 %*
- [7] ISO/TR 4830-4:1978, *Steel — Determination of low carbon contents — Part 4: Coulometric method after combustion*
- [8] ISO 4934:2003, *Steel and iron — Determination of sulfur content — Gravimetric method*
- [9] ISO 4935:1989, *Steel and iron — Determination of sulfur content — Infrared absorption method after combustion in an induction furnace*
- [10] ISO 4937:1986, *Steel and iron — Determination of chromium content — Potentiometric or visual titration method*
- [11] ISO 4938:1988, *Steel and iron — Determination of nickel content — Gravimetric or titrimetric method*
- [12] ISO 4939:1984, *Steel and cast iron — Determination of nickel content — Dimethylglyoxime spectrophotometric method*
- [13] ISO 4940:1985, *Steel and cast iron — Determination of nickel content — Flame atomic absorption spectrometric method*
- [14] ISO 4941:1994, *Steel and iron — Determination of molybdenum content — Thiocyanate spectrophotometric method*
- [15] ISO 4942:1988, *Steel and iron — Determination of vanadium content — N-BPHA spectrophotometric method*
- [16] ISO 4943:1985, *Steel and cast iron — Determination of copper content — Flame atomic absorption spectrometric method*
- [17] ISO 4945:1977, *Steel — Determination of nitrogen content — Spectrophotometric method*
- [18] ISO 4946:1984, *Steel and cast iron — Determination of copper content — 2,2'-Diquinolyl spectrophotometric method*
- [19] ISO 4947:1986, *Steel and cast iron — Determination of vanadium content — Potentiometric titration method*
- [20] ISO 7438:2005, *Metallic materials — Bend test*
- [21] ISO 9441:1988, *Steel — Determination of niobium content — PAR spectrophotometric method*

- [22] ISO 9556:1989, *Steel and iron — Determination of total carbon content — Infrared absorption method after combustion in an induction furnace*
- [23] ISO 9647:1989, *Steel and iron — Determination of vanadium content — Flame atomic absorption spectrometric method*
- [24] ISO 9658:1990, *Steel — Determination of aluminium content — Flame atomic absorption spectrometric method*
- [25] ISO 10138:1991, *Steel and iron — Determination of chromium content — Flame atomic absorption spectrometric method*
- [26] ISO 10153:1997, *Steel — Determination of boron content — Curcumin spectrophotometric method*
- [27] ISO 10278:1995, *Steel — Determination of manganese content — Inductively coupled plasma atomic emission spectrometric method*
- [28] ISO 10280:1991, *Steel and iron — Determination of titanium content — Diantiprylmethane spectrometric method*
- [29] ISO 10697-1:1992, *Steel — Determination of calcium content by flame atomic absorption spectrometry — Part 1: Determination of acid-soluble calcium content*
- [30] ISO 10697-2:1992, *Steel — Determination of calcium content by flame atomic absorption spectrometry — Part 2: Determination of total calcium content*
- [31] ISO 10698:1994, *Steel — Determination of antimony content — Electrothermal atomic absorption spectrometric method*
- [32] ISO 10700:1994, *Steel and iron — Determination of manganese content — Flame atomic absorption spectrometric method*
- [33] ISO 10701:1994, *Steel and iron — Determination of sulfur content — Methylene blue spectrophotometric method*
- [34] ISO 10702:1993, *Steel and iron — Determination of nitrogen content — Titrimetric method after distillation*
- [35] ISO 10714:1992, *Steel and iron — Determination of phosphorus content — Phosphovanadomolybdate spectrophotometric method*
- [36] ISO/TR 10719:1994, *Steel and iron — Determination of non-combined carbon content — Infrared absorption method after combustion in an induction furnace*
- [37] ISO 10720:1997, *Steel and iron — Determination of nitrogen content — Thermal conductimetric method after fusion in a current of inert gas*
- [38] ISO 11652:1997, *Steel and iron — Determination of cobalt content — Flame atomic absorption spectrometric method*
- [39] ISO 11653:1997, *Steel — Determination of high cobalt content — Potentiometric titration method after separation by ion exchange*
- [40] ISO 13898-1:1997, *Steel and iron — Determination of nickel, copper and cobalt contents — Inductively coupled plasma atomic emission spectrometric method — Part 1: General requirements and sample dissolution*
- [41] ISO 13898-2:1997, *Steel and iron — Determination of nickel, copper and cobalt contents — Inductively coupled plasma atomic emission spectrometric method — Part 2: Determination of nickel content*

- [42] ISO 13898-3:1997, *Steel and iron — Determination of nickel, copper and cobalt contents — Inductively coupled plasma atomic emission spectrometric method — Part 3: Determination of copper content*
- [43] ISO 13898-4:1997, *Steel and iron — Determination of nickel, copper and cobalt contents — Inductively coupled plasma atomic emission spectrometric method — Part 4: Determination of cobalt content*
- [44] ISO/TS 13899-1:2004, *Steel — Determination of Mo, Nb and W contents in alloyed steel — Inductively coupled plasma atomic emission spectrometric method — Part 1: Determination of Mo content*
- [45] ISO 13899-2:2005, *Steel — Determination of Mo, Nb and W contents in alloyed steel — Inductively coupled plasma atomic emission spectrometric method — Part 2: Determination of Nb content*
- [46] ISO/TS 13899-3:2005, *Steel — Determination of Mo, Nb and W contents in alloyed steel — Inductively coupled plasma atomic emission spectrometric method — Part 3: Determination of W content*
- [47] ISO 13900:1997, *Steel — Determination of boron content — Curcumin spectrophotometric method after distillation*
- [48] ISO 13902:1997, *Steel and iron — Determination of high sulfur content — Infrared absorption method after combustion in an induction furnace*
- [49] ISO/TR 15349-1:1998, *Unalloyed steel — Determination of low carbon content — Part 1: Infrared absorption method after combustion in an electric resistance furnace (by peak separation)*
- [50] ISO 15349-2:1999, *Unalloyed steel — Determination of low carbon content — Part 2: Infrared absorption method after combustion in an induction furnace (with preheating)*
- [51] ISO/TR 15349-3:1998, *Unalloyed steel — Determination of low carbon content — Part 3: Infrared absorption method after combustion in an electric resistance furnace (with preheating)*
- [52] ISO 15350:2000, *Steel and iron — Determination of total carbon and sulfur content — Infrared absorption method after combustion in an induction furnace (routine method)*
- [53] ISO 15351:1999, *Steel and iron — Determination of nitrogen content — Thermal conductimetric method after fusion in a current of inert gas (Routine method)*
- [54] ISO 15353:2001, *Steel and iron — Determination of tin content — Flame atomic absorption spectrometric method (extraction as Sn-SCN)*
- [55] ISO 15355:1999, *Steel and iron — Determination of chromium content — Indirect titration method*
- [56] ISO 16918-1:2009, *Steel and iron — Determination of nine elements by the inductively coupled plasma mass spectrometric method — Part 1: Determination of tin, antimony, cerium, lead and bismuth*
- [57] ISO 17053:2005, *Steel and iron — Determination of oxygen — Infrared method after fusion under inert gas*
- [58] ISO 17054:2010, *Routine method for analysis of high alloy steel by X-ray fluorescence spectrometry (XRF) by using a near-by technique*
- [59] ISO/TR 17055:2002, *Steel — Determination of silicon content — Inductively coupled plasma atomic emission spectrometric method*
- [60] ISO 17058:2004, *Steel and iron — Determination of arsenic content — Spectrophotometric method*







# British Standards Institution (BSI)

BSI is the national body responsible for preparing British Standards and other standards-related publications, information and services.

BSI is incorporated by Royal Charter. British Standards and other standardization products are published by BSI Standards Limited.

## About us

We bring together business, industry, government, consumers, innovators and others to shape their combined experience and expertise into standards-based solutions.

The knowledge embodied in our standards has been carefully assembled in a dependable format and refined through our open consultation process. Organizations of all sizes and across all sectors choose standards to help them achieve their goals.

## Information on standards

We can provide you with the knowledge that your organization needs to succeed. Find out more about British Standards by visiting our website at [bsigroup.com/standards](http://bsigroup.com/standards) or contacting our Customer Services team or Knowledge Centre.

## Buying standards

You can buy and download PDF versions of BSI publications, including British and adopted European and international standards, through our website at [bsigroup.com/shop](http://bsigroup.com/shop), where hard copies can also be purchased.

If you need international and foreign standards from other Standards Development Organizations, hard copies can be ordered from our Customer Services team.

## Subscriptions

Our range of subscription services are designed to make using standards easier for you. For further information on our subscription products go to [bsigroup.com/subscriptions](http://bsigroup.com/subscriptions).

With **British Standards Online (BSOL)** you'll have instant access to over 55,000 British and adopted European and international standards from your desktop. It's available 24/7 and is refreshed daily so you'll always be up to date.

You can keep in touch with standards developments and receive substantial discounts on the purchase price of standards, both in single copy and subscription format, by becoming a **BSI Subscribing Member**.

**PLUS** is an updating service exclusive to BSI Subscribing Members. You will automatically receive the latest hard copy of your standards when they're revised or replaced.

To find out more about becoming a BSI Subscribing Member and the benefits of membership, please visit [bsigroup.com/shop](http://bsigroup.com/shop).

With a **Multi-User Network Licence (MUNL)** you are able to host standards publications on your intranet. Licences can cover as few or as many users as you wish. With updates supplied as soon as they're available, you can be sure your documentation is current. For further information, email [bsmusales@bsigroup.com](mailto:bsmusales@bsigroup.com).

## BSI Group Headquarters

389 Chiswick High Road London W4 4AL UK

## Revisions

Our British Standards and other publications are updated by amendment or revision.

We continually improve the quality of our products and services to benefit your business. If you find an inaccuracy or ambiguity within a British Standard or other BSI publication please inform the Knowledge Centre.

## Copyright

All the data, software and documentation set out in all British Standards and other BSI publications are the property of and copyrighted by BSI, or some person or entity that owns copyright in the information used (such as the international standardization bodies) and has formally licensed such information to BSI for commercial publication and use. Except as permitted under the Copyright, Designs and Patents Act 1988 no extract may be reproduced, stored in a retrieval system or transmitted in any form or by any means – electronic, photocopying, recording or otherwise – without prior written permission from BSI. Details and advice can be obtained from the Copyright & Licensing Department.

## Useful Contacts:

### Customer Services

**Tel:** +44 845 086 9001

**Email (orders):** [orders@bsigroup.com](mailto:orders@bsigroup.com)

**Email (enquiries):** [cservices@bsigroup.com](mailto:cservices@bsigroup.com)

### Subscriptions

**Tel:** +44 845 086 9001

**Email:** [subscriptions@bsigroup.com](mailto:subscriptions@bsigroup.com)

### Knowledge Centre

**Tel:** +44 20 8996 7004

**Email:** [knowledgecentre@bsigroup.com](mailto:knowledgecentre@bsigroup.com)

### Copyright & Licensing

**Tel:** +44 20 8996 7070

**Email:** [copyright@bsigroup.com](mailto:copyright@bsigroup.com)



...making excellence a habit.™