

BS EN ISO 15609-5:2011
Incorporating corrigendum March 2012



BSI Standards Publication

Specification and qualification of welding procedures for metallic materials — Welding procedure specification

Part 5: Resistance welding
(ISO 15609-5:2011)

bsi.

...making excellence a habit.™

National foreword

This British Standard is the UK implementation of EN ISO 15609-5:2011. It supersedes BS EN ISO 15609-5:2004, which is withdrawn.

The UK participation in its preparation was entrusted to Technical Committee WEE/29, Resistance welding.

A list of organizations represented on this committee can be obtained on request to its secretary.

This publication does not purport to include all the necessary provisions of a contract. Users are responsible for its correct application.

© The British Standards Institution 2012
Published by BSI Standards Limited 2012

ISBN 978 0 580 77883 4

ICS 25.160.10

Compliance with a British Standard cannot confer immunity from legal obligations.

This British Standard was published under the authority of the Standards Policy and Strategy Committee on 31 October 2011.

Amendments/corrigenda issued since publication

Date	Text affected
31 March 2012	Implementation of CEN correction notice 4 January 2012: corrections listed in ISO foreword

English Version

Specification and qualification of welding procedures for metallic materials - Welding procedure specification - Part 5: Resistance welding (ISO 15609-5:2011, Corrected version 2011-12-01)

Descriptif et qualification d'un mode opératoire de soudage pour les matériaux métalliques - Descriptif d'un mode opératoire de soudage - Partie 5: Soudage par résistance (ISO 15609-5:2011, Version corrigée 2011-12-01)

Anforderung und Qualifizierung von Schweißverfahren für metallische Werkstoffe - Schweißanweisung - Teil 5: Widerstandsschweißen (ISO 15609-5:2011, korrigierte Fassung 2011-12-01)

This European Standard was approved by CEN on 30 September 2011.

CEN members are bound to comply with the CEN/CENELEC Internal Regulations which stipulate the conditions for giving this European Standard the status of a national standard without any alteration. Up-to-date lists and bibliographical references concerning such national standards may be obtained on application to the CEN-CENELEC Management Centre or to any CEN member.

This European Standard exists in three official versions (English, French, German). A version in any other language made by translation under the responsibility of a CEN member into its own language and notified to the CEN-CENELEC Management Centre has the same status as the official versions.

CEN members are the national standards bodies of Austria, Belgium, Bulgaria, Croatia, Cyprus, Czech Republic, Denmark, Estonia, Finland, France, Germany, Greece, Hungary, Iceland, Ireland, Italy, Latvia, Lithuania, Luxembourg, Malta, Netherlands, Norway, Poland, Portugal, Romania, Slovakia, Slovenia, Spain, Sweden, Switzerland and United Kingdom.



EUROPEAN COMMITTEE FOR STANDARDIZATION
COMITÉ EUROPÉEN DE NORMALISATION
EUROPÄISCHES KOMITEE FÜR NORMUNG

Management Centre: Avenue Marnix 17, B-1000 Brussels

Foreword

This document (EN ISO 15609-5:2011) has been prepared by Technical Committee ISO/TC 44 "Welding and allied processes" in collaboration with Technical Committee CEN/TC 121 "Welding", the secretariat of which is held by DIN.

This European Standard shall be given the status of a national standard, either by publication of an identical text or by endorsement, at the latest by April 2012, and conflicting national standards shall be withdrawn at the latest by April 2012.

Attention is drawn to the possibility that some of the elements of this document may be the subject of patent rights. CEN [and/or CENELEC] shall not be held responsible for identifying any or all such patent rights.

This document supersedes EN ISO 15609-5:2004.

According to the CEN/CENELEC Internal Regulations, the national standards organizations of the following countries are bound to implement this European Standard: Austria, Belgium, Bulgaria, Croatia, Cyprus, Czech Republic, Denmark, Estonia, Finland, France, Germany, Greece, Hungary, Iceland, Ireland, Italy, Latvia, Lithuania, Luxembourg, Malta, Netherlands, Norway, Poland, Portugal, Romania, Slovakia, Slovenia, Spain, Sweden, Switzerland and the United Kingdom.

Endorsement notice

The text of ISO 15609-5:2011 has been approved by CEN as a EN ISO 15609-5:2011 without any modification.

Contents

Page

Foreword	iv
1 Scope	1
2 Normative references	1
3 Terms and definitions	2
4 Technical contents of welding procedure specification	2
4.1 General	2
4.2 Product manufacturer	2
4.3 Parent materials	2
4.3.1 Composition	2
4.3.2 Dimensions	2
4.4 Common to all welding procedures	2
4.4.1 Welding process	2
4.4.2 Machine specification	3
4.4.3 Joint design	3
4.4.4 Surface and edge preparation	3
4.4.5 Welding technique	4
4.4.6 Resistance welding electrodes and auxiliaries	4
4.4.7 Machine parameters and control settings	4
Annex A (informative) Example of a WPS — I: Planned process requirements	5
Annex B (informative) Example of a WPS — II: Quality acceptance criteria	6
Annex C (informative) Example of a WPS — III: Welding machine set-up	7
Annex D (informative) Examples of parameters in resistance welding	8
Bibliography	13

Foreword

ISO (the International Organization for Standardization) is a worldwide federation of national standards bodies (ISO member bodies). The work of preparing International Standards is normally carried out through ISO technical committees. Each member body interested in a subject for which a technical committee has been established has the right to be represented on that committee. International organizations, governmental and non-governmental, in liaison with ISO, also take part in the work. ISO collaborates closely with the International Electrotechnical Commission (IEC) on all matters of electrotechnical standardization.

International Standards are drafted in accordance with the rules given in the ISO/IEC Directives, Part 2.

The main task of technical committees is to prepare International Standards. Draft International Standards adopted by the technical committees are circulated to the member bodies for voting. Publication as an International Standard requires approval by at least 75 % of the member bodies casting a vote.

Attention is drawn to the possibility that some of the elements of this document may be the subject of patent rights. ISO shall not be held responsible for identifying any or all such patent rights.

ISO 15609-5 was prepared by Technical Committee ISO/TC 44, *Welding and allied processes*, Subcommittee SC 6, *Resistance welding and allied mechanical joining*.

This second edition cancels and replaces the first edition (ISO 15609-5:2004), which has been technically revised.

ISO 15609 consists of the following parts, under the general title *Specification and qualification of welding procedures for metallic materials — Welding procedure specification*:

- *Part 1: Arc welding*
- *Part 2: Gas welding*
- *Part 3: Electron beam welding*
- *Part 4: Laser beam welding*
- *Part 5: Resistance welding*
- *Part 6: Laser-arc hybrid welding*

This corrected version of ISO 15609-5:2011 incorporates the following corrections:

- correction of the French title on the cover page of the English version;
- removal of "16" at the end of key item 17 in Figure D.1;
- replacement of the graphic in Figure D.5 raising the lower arrow near "10";
- removal of the second key item 13 in Figure D.5.

Requests for official interpretations of any aspect of this part of ISO 15609 should be directed to the Secretariat of ISO/TC 44/SC 6 via your national standards body. A complete listing of these bodies can be found at www.iso.org.

Specification and qualification of welding procedures for metallic materials — Welding procedure specification —

Part 5: Resistance welding

1 Scope

This part of ISO 15609 specifies requirements for the content of welding procedure specifications for resistance spot, seam, butt and projection welding processes. It is necessary to establish the acceptability of applying the principles of this part of ISO 15609 to other resistance and related welding processes before any qualification is undertaken.

NOTE Details of ISO 15609 (all parts — for titles, see Foreword) are given in ISO 15607:2003, Annex A.

Variables listed in this part of ISO 15609 are those influencing either weld dimensions (quality), weld nugget dimension, weld pattern positioning, mechanical properties or geometry of the welded joint.

2 Normative references

The following referenced documents are indispensable for the application of this document. For dated references, only the edition cited applies. For undated references, the latest edition of the referenced document (including any amendments) applies.

ISO 669, *Resistance welding — Resistance welding equipment — Mechanical and electrical requirements*

ISO 4063, *Welding and allied processes — Nomenclature of processes and reference numbers*

ISO 5183 (all parts), *Resistance welding equipment — Electrode adaptors, male taper 1:10*

ISO 5184, *Straight resistance spot welding electrodes*

ISO 5821, *Resistance welding — Spot welding electrode caps*

ISO 5827, *Spot welding — Electrode back-ups and clamps*

ISO 8205-1, *Water-cooled secondary connection cables for resistance welding — Part 1: Dimensions and requirements for double-conductor connection cables*

ISO 8205-2, *Water-cooled secondary connection cables for resistance welding — Part 2: Dimensions and requirements for single-conductor connection cables*

ISO 8430 (all parts), *Resistance spot welding — Electrode holders*

ISO 15607:2003, *Specification and qualification of welding procedures for metallic materials — General rules*

ISO 15614-12, *Specification and qualification of welding procedures for metallic materials — Welding procedure test — Part 12: Spot, seam and projection welding*

ISO 15614-13, *Specification and qualification of welding procedures for metallic materials — Welding procedure test — Part 13: Resistance butt and flash welding*

ISO 17677-1, *Resistance welding — Vocabulary — Part 1: Spot, projection and seam welding*

3 Terms and definitions

For the purposes of this International Standard, the terms and definitions given in ISO 15607, ISO 17677-1 and ISO 669 apply.

4 Technical contents of welding procedure specification

4.1 General

The welding procedure specification (WPS) shall provide all information required to make a weld. The minimum information required in a WPS for resistance welding processes is listed in 4.2 to 4.4.

For some applications, it is necessary to supplement the list. All relevant information shall be specified in the WPS.

Tolerance ranges shall be specified.

Examples of the WPS format are shown in Annexes A, B and C; these forms should be modified according to actual practice.

4.2 Product manufacturer

- Identification of the product manufacturer.
- Identification of the WPS.
- Reference to the welding procedure qualification record (WPQR — see ISO 15614-12 and ISO 15614-13).

4.3 Parent materials

4.3.1 Composition

- Designation and type(s) of the material(s) and referenced standard(s).
- In case of coating(s), type, thickness, single or double sided.

4.3.2 Dimensions

- Thickness of material(s).
- Dimensions of cross-section of pipe or section (butt welding).

4.4 Common to all welding procedures

4.4.1 Welding process

- Welding process(es) specified shall be designated as listed in ISO 4063:

- a) Spot welding (21):
 - manual,
 - multi,
 - direct
 - indirect
 - push-pull
 - series,
 - mechanized,
 - automated,
 - robotic,
 - weld bonding;
- b) Seam welding (22) (roll spot welding):
 - manual/mechanized/automatic/robotic;
- c) Projection welding (23):
 - single/multiple,
 - embossed/solid;
- d) Flash welding (24):
 - flashing/upsetting,
 - with/without preheating;
- e) Upset welding (Resistance butt welding) (25).

4.4.2 Machine specification

Type of machine used and appropriate identification.

4.4.3 Joint design

The overlap, edge distance, pitch, sequence and pattern, spot or projection dimensions, shall be specified and shall comply with the appropriate standards, as applicable.

NOTE A sketch can be used to show the joint design/configuration.

4.4.4 Surface and edge preparation

- Degreasing, wire brushing, chemical etching, etc.
- For butt welding, any mechanical edge/joint-face preparation (e.g. facing, finishing).
- For spot, seam and projection welding any removal of edge burrs to avoid shunting.

4.4.5 Welding technique

- Manual, mechanized, automated, robotic welding.
- Access details, weld sequence and/or pattern.
- Clamping or guidance systems, tack welding, etc.
- Procedures to minimize distortion, indentation, contamination, corrosion, etc. (e.g. use of face or backing electrodes).

Operator protection shall be taken into consideration.

4.4.6 Resistance welding electrodes and auxiliaries

- Geometry and material composition of electrodes (see ISO 5184), caps (see ISO 5821), and adaptors (see ISO 5183).
- Geometry and material composition of backing electrodes (see ISO 5827).
- Geometry and material composition of auxiliaries, e.g. electrode holder (see ISO 8430), cables (see ISO 8205-1 and ISO 8205-2).
- Applicable tolerances for the maintenance of the specified quality requirements.

4.4.7 Machine parameters and control settings

- Type of power source (alternating current, direct current, capacitor discharge).
- Transformer setting(s).
- Controller settings (see Annex D), e.g.:
 - welding current value(s);
 - squeeze time;
 - heat time;
 - number of impulses, cool time;
 - hold time;
 - off time;
 - post-weld heat treatment (chill time, post heat time, post heat current);
 - up-slope, down-slope.
- Electrode force.
- Secondary voltage readings (for flash welding – recorded for information only).
- Seam welding speed.
- Cooling requirements for electrical components and electrodes.

NOTE For further information see ISO 14327.

Annex A (informative)

Example of a WPS — I: Planned process requirements

No.: _____

Issue/Revision: _____	No. of welding procedure specification for next operational sequence for this joint/assembly: _____
Date: _____	
Customer: _____	
Manufacturer: _____	
Product	
Description: _____	Quality requirements: _____
Assembly name: _____	Product identification No. ^a : _____
Joint location/operation	Assembly No. ^a : _____
Number/identification code ^a : _____	Joint type: _____
Parent material: _____	Form: _____
Surface condition: _____	Weld pattern/sequence (sketch) ^a : _____
Number of welds per joint: _____	Quality acceptance specification: Annex B
Welding Procedure Specification	
Process: _____	Welding rate (welds/min or m/min): _____
Environmental constraints: _____	Location: _____
Machine identification No.: _____	Machine type: _____ b
Manual/mechanized/automated: _____	Machine size/capacity: _____
Electrode set-up ^a : _____	Tooling ^a : _____
Special services needed: _____	Electrode change/dressing program: Annex C
Machine control type: _____	Control settings (program) chart No.: _____
Electrode holder drilled/not drilled: _____	Welding current form: _____
Machine control identification number: _____	Monitor type: _____
Auxiliary services: _____	Welding current (kA): _____
Type of actuator (air cylinder): _____ c	Secondary voltage (V): _____
	Electrode force (kN): _____
	Forge force: _____
	Cooling type/flow rate (l/min): _____
	Specified post-weld treatment: Annex C
	Post-weld treatment equipment: _____

Special instructions: _____
Prepared by: _____
Date: _____

^a Insert drawing number.

^b Enter identification letter from chart, e.g.:

SP = pedestal spot weld equipment;	D = dual stroke;
PW = projection weld equipment;	H = hydraulic;
CG = portable C-gun;	S = soft descent;
MW = multiweld equipment;	n = other (e. g. electromagnetic).
SG = portable scissor gun;	
PS = portable seam weld equipment;	
RW = welding robot;	
SW = seam weld equipment.	

Optional subgroups:

^c

S = single stroke;	
D = dual stroke;	
P = diaphragm;	
R = flow restrictors.	

Annex B
(informative)

Example of a WPS — II: Quality acceptance criteria

No.: _____

Issue/Revision: _____

Date: _____

Customer: _____

Manufacturer: _____

Product

Description: _____

Product identification No.^a: _____

Assembly name: _____

Assembly No.^a: _____

Joint location/operation
number/identification code^a: _____

Joint type: _____

Quality requirements

Product: _____

Type of weld: _____

Welds quality rating: _____

Appearance: _____

Geometrical and physical properties of joint

Specified test values	value (mm)
Nugget diameter (min.):	
Nugget indentation (min./max.):	
Electrode indentation diameter (nominal):	
Electrode indentation depth (max.):	
Sheet separation (max.):	

	min. value (kN)	min. weld diameter (mm)	fracture type
Chisel test:	–		
Peel force:			
Shear force:			
Cross tension force:			
Impact force:			

Fatigue force (kN) and cycles: _____

Special instructions: _____

Corrosion test: _____

Prepared by: _____

Date: _____

^a Insert drawing number.

Annex C
(informative)

Example of a WPS — III: Welding machine set-up

No.: _____

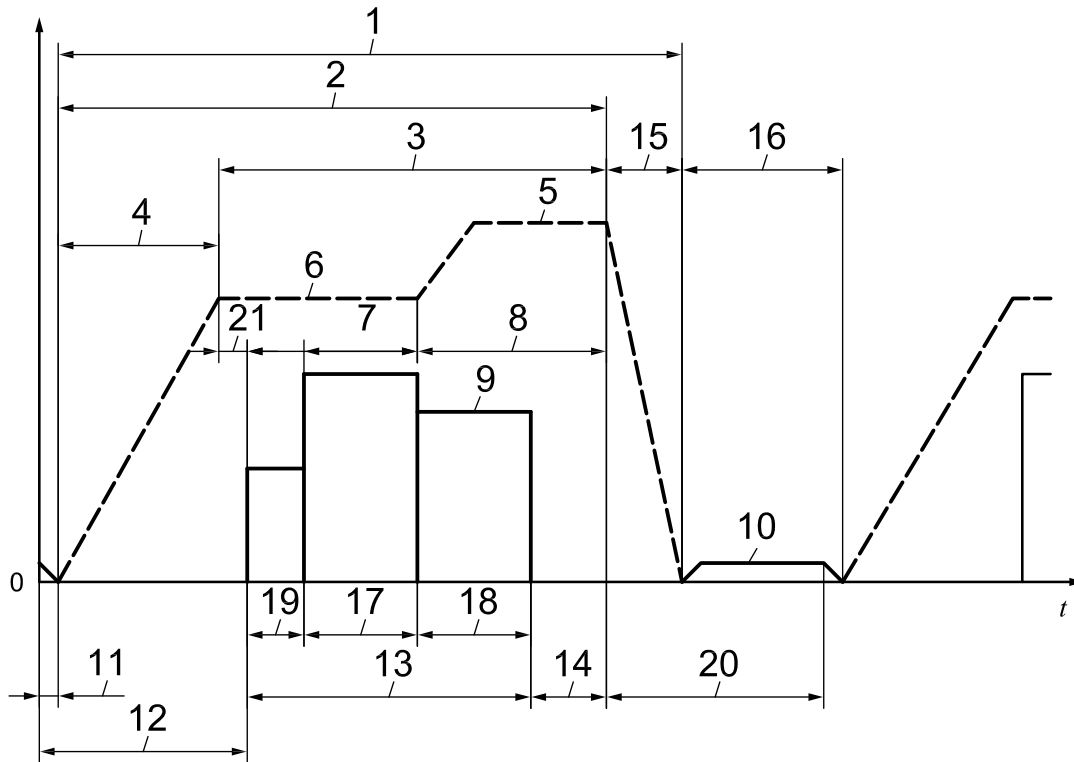
Issue/Revision: _____	
Date: _____	
Customer: _____	
Manufacturer: _____	
Product	
Description: _____	Product identification No. ^a : _____
Assembly name: _____	Assembly No. ^a : _____
Joint location/operation number/identification code ^a : _____	Joint type: _____
Machine	
Machine/Gun type: _____	Machine identification No.: _____
Platen/electrode dimension (mm): _____	Secondary cable/shunt size (mm × mm): _____
Transformer rating (kVA): _____	Secondary cable(s) type × length (m): _____
Tap No.: _____	Transformer identification No.: _____
Control timer/programmer: _____	Control timer/programmer identification No.: _____
Cylinder type: _____	Tooling ^a : _____
High lift: _____	Cooling type/flow rate (l/min): _____
Electrode set-up ^a : _____	Electrode approach rate (mm/s): _____
Check of auxiliaries: _____	Source of start signal: _____
Electrode force (kN): _____	End of cycle trigger signal: _____
Safety guard: _____	Throat dimensions: _____
Location (work station): _____	
Weld control parameters	
Pre-squeeze time (cycles with 50 Hz or 60 Hz): _____	Weld current (kA): _____
Squeeze time (cycles or milliseconds): _____	Heat setting: _____
Weld time (cycles or milliseconds): _____	Number of impulses: _____
Off time (cycles or milliseconds): _____	Weld current (kA): _____
Repeat weld time (cycles or milliseconds): _____	Heat setting: _____
Hold time (cycles or milliseconds): _____	Up-slope: _____
Off time (cycles or milliseconds): _____	Down-slope: _____
Monitor type: _____	Recorder active: _____
Stepper control type: _____	Stepper control active: _____
	Stepper control program: _____
Machine/tooling	
Machine control settings: _____	Condition of electrodes: _____
Conditions of auxiliary services: _____	Condition of tooling: _____
Post-weld treatment: _____	

Special instructions: _____
Prepared by: _____
Date: _____

^a Insert drawing number.

Annex D
(informative)

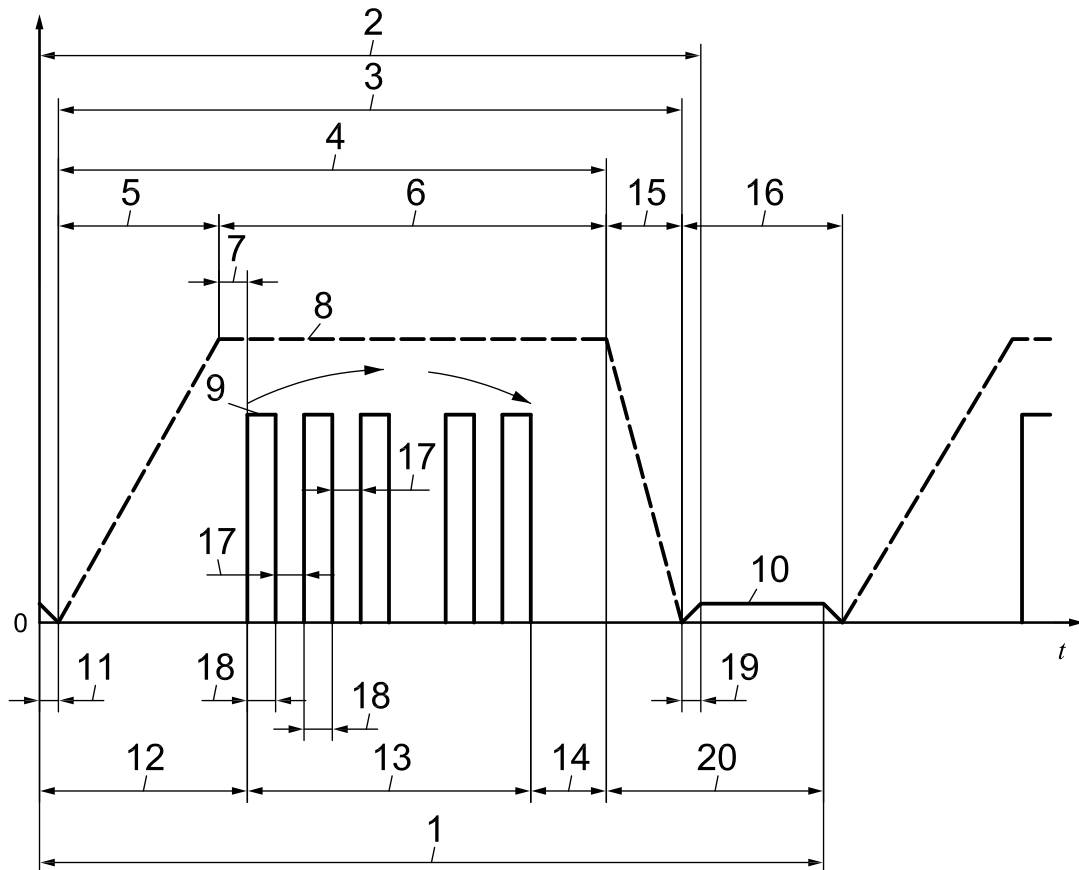
Examples of parameters in resistance welding



Key

- 1 force application time
- 2 electrode force time
- 3 force maintenance time
- 4 force rise time
- 5 forge force
- 6 electrode force
- 7 forge delay time
- 8 forge time
- 9 current
- 10 electrode movement
- 11 head approach time
- 12 squeeze time
- 13 total weld time
- 14 hold time
- 15 force fall time
- 16 actual force off-time
- 17 heat time/individual weld time
- 18 post-heat time
- 19 preheat time
- 20 off time
- 21 current delay time
- t* time

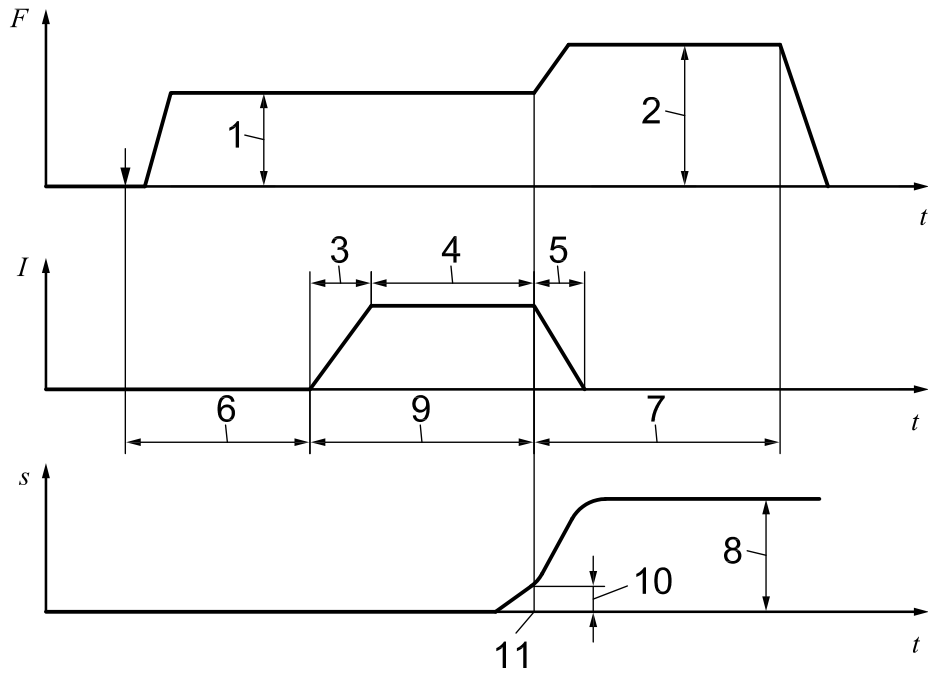
Figure D.1 — Time and electrode force diagram for spot welding — Current and electrode force programme control



Key

- 1 working cycle time
- 2 welding cycle time
- 3 force application time
- 4 electrode force time
- 5 force rise time
- 6 force maintenance time
- 7 current delay time
- 8 electrode force
- 9 current
- 10 electrode movement
- 11 head approach time
- 12 squeeze time
- 13 total weld time
- 14 hold time
- 15 force fall time
- 16 actual force off-time
- 17 cool time
- 18 heat time/individual weld time
- 19 electrode return time
- 20 off time
- t* time

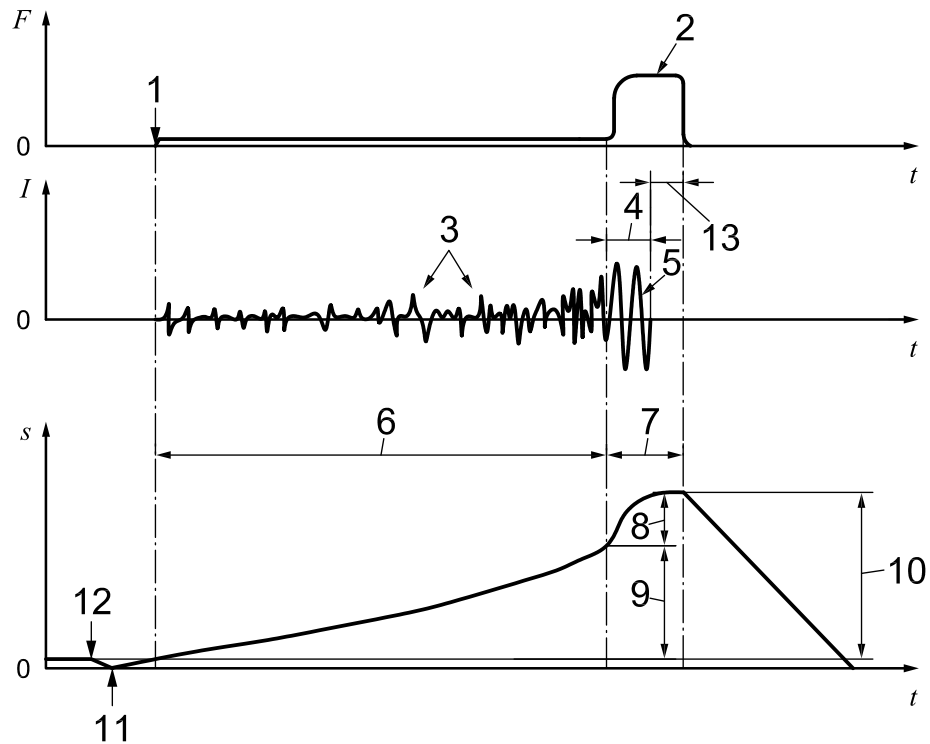
Figure D.2 — Time and electrode force diagram for seam welding



Key

- F force
- I current
- s platen movement
- t time
- 1 welding force
- 2 forge force
- 3 upslope time
- 4 heat time
- 5 downslope time
- 6 squeeze time
- 7 forge time
- 8 start forging
- 9 forge delay
- 10 start forge travel
- 11 start of forging

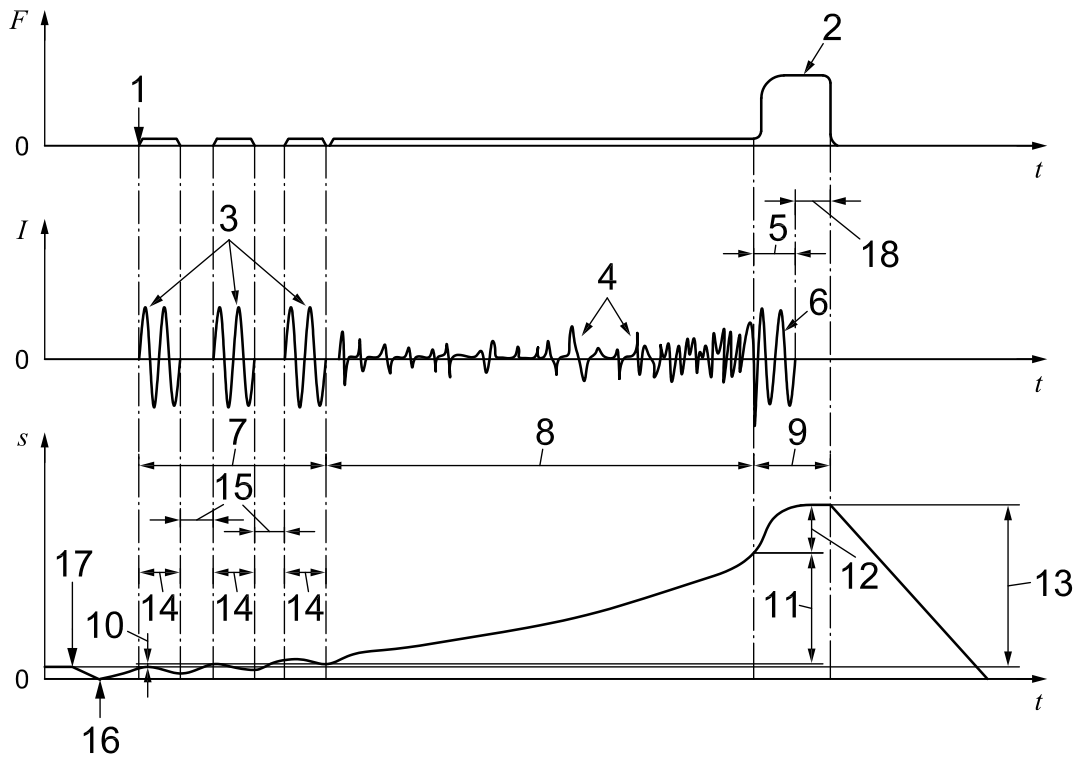
Figure D.3 — Force-current-travel diagram for upset welding



Key

- F force
- I current
- s platen movement
- t time
- 1 start of contact
- 2 upset force
- 3 flashing current or flash current
- 4 upset current time
- 5 upset current
- 6 flashing time or flash time
- 7 upset time
- 8 upset travel
- 9 flashing travel
- 10 total travel
- 11 start of platen movement
- 12 setback position of platen
- 13 hold time

Figure D.4 — Force-current-travel diagram for flash welding



Key

- F force
- I current
- s platen movement
- t time

- 1 start of contact
- 2 upset force
- 3 preheating current
- 4 flashing current, or flash current
- 5 upset current time
- 6 upset current
- 7 preheating time
- 8 flashing time, or flash time
- 9 upset time
- 10 preheating travel
- 11 flashing travel
- 12 upset travel
- 13 total travel
- 14 heat time
- 15 cool time
- 16 start of platen movement
- 17 setback position of platen
- 18 hold time

Figure D.5 — Force-current-travel diagram for flash welding with preheating

Bibliography

- [1] ISO 14327, *Resistance welding — Procedures for determining the weldability lobe for resistance spot, projection and seam welding*

British Standards Institution (BSI)

BSI is the national body responsible for preparing British Standards and other standards-related publications, information and services.

BSI is incorporated by Royal Charter. British Standards and other standardization products are published by BSI Standards Limited.

About us

We bring together business, industry, government, consumers, innovators and others to shape their combined experience and expertise into standards-based solutions.

The knowledge embodied in our standards has been carefully assembled in a dependable format and refined through our open consultation process. Organizations of all sizes and across all sectors choose standards to help them achieve their goals.

Information on standards

We can provide you with the knowledge that your organization needs to succeed. Find out more about British Standards by visiting our website at bsigroup.com/standards or contacting our Customer Services team or Knowledge Centre.

Buying standards

You can buy and download PDF versions of BSI publications, including British and adopted European and international standards, through our website at bsigroup.com/shop, where hard copies can also be purchased.

If you need international and foreign standards from other Standards Development Organizations, hard copies can be ordered from our Customer Services team.

Subscriptions

Our range of subscription services are designed to make using standards easier for you. For further information on our subscription products go to bsigroup.com/subscriptions.

With **British Standards Online (BSOL)** you'll have instant access to over 55,000 British and adopted European and international standards from your desktop. It's available 24/7 and is refreshed daily so you'll always be up to date.

You can keep in touch with standards developments and receive substantial discounts on the purchase price of standards, both in single copy and subscription format, by becoming a **BSI Subscribing Member**.

PLUS is an updating service exclusive to BSI Subscribing Members. You will automatically receive the latest hard copy of your standards when they're revised or replaced.

To find out more about becoming a BSI Subscribing Member and the benefits of membership, please visit bsigroup.com/shop.

With a **Multi-User Network Licence (MUNL)** you are able to host standards publications on your intranet. Licences can cover as few or as many users as you wish. With updates supplied as soon as they're available, you can be sure your documentation is current. For further information, email bsmusales@bsigroup.com.

BSI Group Headquarters

389 Chiswick High Road London W4 4AL UK

Revisions

Our British Standards and other publications are updated by amendment or revision.

We continually improve the quality of our products and services to benefit your business. If you find an inaccuracy or ambiguity within a British Standard or other BSI publication please inform the Knowledge Centre.

Copyright

All the data, software and documentation set out in all British Standards and other BSI publications are the property of and copyrighted by BSI, or some person or entity that owns copyright in the information used (such as the international standardization bodies) and has formally licensed such information to BSI for commercial publication and use. Except as permitted under the Copyright, Designs and Patents Act 1988 no extract may be reproduced, stored in a retrieval system or transmitted in any form or by any means – electronic, photocopying, recording or otherwise – without prior written permission from BSI. Details and advice can be obtained from the Copyright & Licensing Department.

Useful Contacts:

Customer Services

Tel: +44 845 086 9001

Email (orders): orders@bsigroup.com

Email (enquiries): cservices@bsigroup.com

Subscriptions

Tel: +44 845 086 9001

Email: subscriptions@bsigroup.com

Knowledge Centre

Tel: +44 20 8996 7004

Email: knowledgecentre@bsigroup.com

Copyright & Licensing

Tel: +44 20 8996 7070

Email: copyright@bsigroup.com



...making excellence a habit.™