

BS EN ISO 14268:2012



BSI Standards Publication

**Leather — Physical and  
mechanical tests —  
Determination of water vapour  
permeability (ISO 14268:2012)**

**bsi.**

...making excellence a habit.™

**National foreword**

This British Standard is the UK implementation of EN ISO 14268:2012. It supersedes BS EN ISO 14268:2002 which is withdrawn.

The UK participation in its preparation was entrusted to Technical Committee TCI/69, Footwear, leather and coated fabrics.

A list of organizations represented on this committee can be obtained on request to its secretary.

This publication does not purport to include all the necessary provisions of a contract. Users are responsible for its correct application.

© The British Standards Institution 2012. Published by BSI Standards Limited 2012

ISBN 978 0 580 67878 3

ICS 59.140.30

**Compliance with a British Standard cannot confer immunity from legal obligations.**

This British Standard was published under the authority of the Standards Policy and Strategy Committee on 30 November 2012.

**Amendments issued since publication**

Date	Text affected
------	---------------

---

English Version

Leather - Physical and mechanical tests - Determination of water vapour permeability (ISO 14268:2012)

Cuir - Essais physiques et mécaniques - Détermination de la perméabilité à la vapeur d'eau (ISO 14268:2012)

Leder - Physikalische und mechanische Prüfungen - Bestimmung der Wasserdampfdurchlässigkeit (ISO 14268:2012)

This European Standard was approved by CEN on 31 October 2012.

CEN members are bound to comply with the CEN/CENELEC Internal Regulations which stipulate the conditions for giving this European Standard the status of a national standard without any alteration. Up-to-date lists and bibliographical references concerning such national standards may be obtained on application to the CEN-CENELEC Management Centre or to any CEN member.

This European Standard exists in three official versions (English, French, German). A version in any other language made by translation under the responsibility of a CEN member into its own language and notified to the CEN-CENELEC Management Centre has the same status as the official versions.

CEN members are the national standards bodies of Austria, Belgium, Bulgaria, Croatia, Cyprus, Czech Republic, Denmark, Estonia, Finland, Former Yugoslav Republic of Macedonia, France, Germany, Greece, Hungary, Iceland, Ireland, Italy, Latvia, Lithuania, Luxembourg, Malta, Netherlands, Norway, Poland, Portugal, Romania, Slovakia, Slovenia, Spain, Sweden, Switzerland, Turkey and United Kingdom.



EUROPEAN COMMITTEE FOR STANDARDIZATION  
COMITÉ EUROPÉEN DE NORMALISATION  
EUROPÄISCHES KOMITEE FÜR NORMUNG

Management Centre: Avenue Marnix 17, B-1000 Brussels

## Foreword

This document (EN ISO 14268:2012) has been prepared by Technical Committee CEN/TC 289 "Leather", the secretariat of which is held by UNI, in collaboration with the International Union of Leather Technologists and Chemists Societies.

This European Standard shall be given the status of a national standard, either by publication of an identical text or by endorsement, at the latest by May 2013, and conflicting national standards shall be withdrawn at the latest by May 2013.

Attention is drawn to the possibility that some of the elements of this document may be the subject of patent rights. CEN [and/or CENELEC] shall not be held responsible for identifying any or all such patent rights.

This document supersedes EN ISO 14268:2002.

According to the CEN/CENELEC Internal Regulations, the national standards organisations of the following countries are bound to implement this European Standard: Austria, Belgium, Bulgaria, Croatia, Cyprus, Czech Republic, Denmark, Estonia, Finland, Former Yugoslav Republic of Macedonia, France, Germany, Greece, Hungary, Iceland, Ireland, Italy, Latvia, Lithuania, Luxembourg, Malta, Netherlands, Norway, Poland, Portugal, Romania, Slovakia, Slovenia, Spain, Sweden, Switzerland, Turkey and the United Kingdom.

## Contents

Page

Foreword .....	iv
<b>1</b> <b>Scope</b> .....	<b>1</b>
<b>2</b> <b>Normative references</b> .....	<b>1</b>
<b>3</b> <b>Principle</b> .....	<b>1</b>
<b>4</b> <b>Apparatus</b> .....	<b>1</b>
<b>5</b> <b>Sampling and sample preparation</b> .....	<b>2</b>
<b>6</b> <b>Procedure</b> .....	<b>3</b>
<b>7</b> <b>Expression of results</b> .....	<b>4</b>
<b>8</b> <b>Test report</b> .....	<b>4</b>
<b>Annex A</b> (informative) <b>Sources of apparatus</b> .....	<b>5</b>
<b>Annex B</b> (informative) <b>Water vapour number</b> .....	<b>6</b>
<b>Bibliography</b> .....	<b>7</b>

## Foreword

ISO (the International Organization for Standardization) is a worldwide federation of national standards bodies (ISO member bodies). The work of preparing International Standards is normally carried out through ISO technical committees. Each member body interested in a subject for which a technical committee has been established has the right to be represented on that committee. International organizations, governmental and non-governmental, in liaison with ISO, also take part in the work. ISO collaborates closely with the International Electrotechnical Commission (IEC) on all matters of electrotechnical standardization.

International Standards are drafted in accordance with the rules given in the ISO/IEC Directives, Part 2.

The main task of technical committees is to prepare International Standards. Draft International Standards adopted by the technical committees are circulated to the member bodies for voting. Publication as an International Standard requires approval by at least 75 % of the member bodies casting a vote.

Attention is drawn to the possibility that some of the elements of this document may be the subject of patent rights. ISO shall not be held responsible for identifying any or all such patent rights.

ISO 14268 was prepared by the European Committee for Standardization (CEN) Technical Committee CEN/TC 289, *Leather*, in collaboration with the Physical Tests Commission of the International Union of Leather Technologists and Chemists Societies (IUP Commission, IULTCS), in accordance with the Agreement on technical cooperation between ISO and CEN (Vienna Agreement).

The first edition was based on IUP 15 originally published in *J. Soc. Leather Trades Chemists*, **44**, p. 502, (1960) and declared an official method of the IULTCS in 1961. An updated version was published in *J. Soc. Leather Tech. Chem.*, **82**, p. 234, (1998) and a further revision published in *J. Soc. Leather Tech. Chem.*, **84**, p. 353, (2000) and reconfirmed as an official method in March 2001.

This second edition cancels and replaces the first edition (ISO 14268:2002), which has been technically revised.

IULTCS, originally formed in 1897, is a worldwide organization of professional leather societies to further the advancement of leather science and technology. IULTCS has three Commissions, which are responsible for establishing international methods for the sampling and testing of leather. ISO recognizes IULTCS as an international standardizing body for the preparation of test methods for leather.

# Leather — Physical and mechanical tests — Determination of water vapour permeability

## 1 Scope

This International Standard describes a method for determining the water vapour permeability of leather and provides alternative methods of sample preparation.

## 2 Normative references

The following referenced documents are indispensable for the application of this document. For dated references, only the edition cited applies. For undated references, the latest edition of the referenced document (including any amendments) applies.

ISO 2418, *Leather — Chemical, physical and mechanical and fastness tests — Sampling location*

ISO 2419, *Leather — Physical and mechanical tests — Sample preparation and conditioning*

ISO 2589, *Leather — Physical and mechanical tests — Determination of thickness*

ISO 5402-1, *Leather — Determination of flex resistance — Part 1: Flexometer method*

## 3 Principle

The test piece is clamped over the opening of a container which contains a solid desiccant and is placed in a strong current of air in a standard atmosphere. The air inside the container is constantly agitated by the desiccant which is kept in motion by the rotation of the container. The container is weighed at the start and the end of the test and the mass of moisture which has been absorbed by the desiccant is determined from the difference.

## 4 Apparatus

**4.1 Containers**, in the form of jars or bottles, with a neck of internal diameter  $30 \text{ mm} \pm 3 \text{ mm}$  fitted with a screw top with a circular opening whose diameter is equal to the internal diameter of the neck. Suitable containers typically have a height range of 70 mm to 90 mm.

**4.2 Test machine**, including the following:

**4.2.1 Vertically mounted turntable**, rotating at  $75 \text{ r/min} \pm 5 \text{ r/min}$ , capable of holding containers (4.1) with their axis parallel to and  $67 \text{ mm} \pm 2 \text{ mm}$  from the axis of rotation of the turntable.

**4.2.2 Fan**, mounted in front of the mouths of the containers consisting of three flat blades in planes that are inclined  $120^\circ$  to one another. The planes of the blades pass through the prolongation of the axis of the vertically mounted turntable (4.2.1). The blades are of approximate dimensions  $90 \text{ mm} \times 75 \text{ mm}$  and the  $90 \text{ mm}$  side nearest the mouths of the jars passes them at a distance of  $10 \text{ mm} \pm 5 \text{ mm}$ . The fan rotates at  $1400 \text{ r/min} \pm 100 \text{ r/min}$  with the direction of rotation being opposite to that of the vertically mounted turntable. The general arrangement of the turntable and fan are as shown in Figure 1.

**4.3 Self-indicating silica gel desiccant**, particle size 2 mm to 5 mm sieved to remove small particles and dust, and freshly regenerated by heating in a ventilated oven for at least 16 h at  $125\text{ °C} \pm 5\text{ °C}$ , then cooling to standard temperature in a hermetically sealed vessel. The granular size of the crystals shall be such that they shall not pass through a 2 mm sieve. The silica gel shall not be used if it is warmer than the test piece.

NOTE 1 Silica gel beads are preferred to granules as they generate less dust.

NOTE 2 Large volumes of silica gel will only cool slowly in a closed vessel. A long cooling time may be needed to ensure that all the silica gel has cooled to standard temperature.

**4.4 Balance**, weighing to 0,001 g.

**4.5 Stop clock**, reading to 1 min.

**4.6 Vernier callipers**, reading to 0,1 mm and capable of measuring the internal diameter of the necks of the containers.

**4.7 Press knife**, as specified in ISO 2419, capable of cutting circular test pieces of a suitable size to allow a good seal at the open end of the container (4.1).

**4.8 Beeswax**.

**4.9 Abrasive paper**, grade P180.

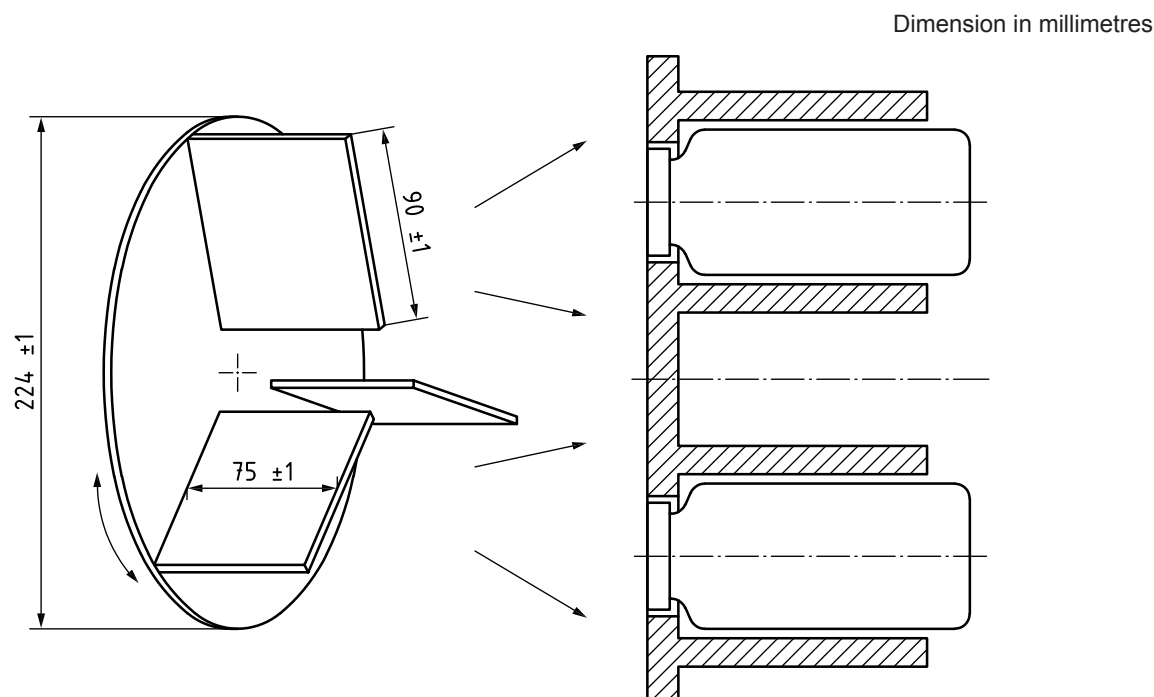


Figure 1 — General arrangement of test machine

**4.10 Flex machine**, as specified in ISO 5402-1, if test pieces are to be subjected to flexing prior to test.

## 5 Sampling and sample preparation

**5.1** Sample in accordance with ISO 2418. Cut three test pieces by applying the press knife (4.7) to the grain surface.



If necessary, determine the thickness, as specified in ISO 2589, to ensure test pieces are below 3,0 mm thickness.

**NOTE** If there is a requirement for more than two hides or skins to be tested in one batch, then only one sample need be taken from each hide or skin, provided that the overall total is not less than three test pieces.

**5.2** Prepare the three test pieces by one of the following methods; if no pre-treatment is specifically required then procedure c) is the preferred method:

- a) Cut a square piece of minimum size 50 mm. Place the piece grain upwards on a flat surface, press a piece of P180 grade abrasive paper (4.9) against the leather and draw it across the leather 10 times in various directions under a load of about 2 N applied by hand pressure. Cut a circular test piece from the buffed area using the press knife specified in 4.7.
- b) Flex a sample for 20 000 cycles using the method and apparatus specified in ISO 5402-1. Cut a circular test piece from the flexed area using the press knife specified in 4.7.
- c) Cut a test piece using the press knife specified in 4.7.

Many leathers have on the grain a surface coat which reduces the water vapour permeability of the leather, but which has less effect after the coat has been flexed or exposed to slight abrasive action. The treatments specified in a) and b) are intended to simulate the abrasion which the leather would receive in wear. If no pre-treatment is required, method c) may be used, and this option can be preferable for suede and unfinished leathers.

**5.3** Condition the test specimens (5.2) in accordance with ISO 2419 and carry out the test in the standard atmosphere.

## 6 Procedure

**6.1** Half fill a container with freshly regenerated silica gel.

**6.2** Place a test piece centrally over the open container so that the surface which is exposed to the higher humidity when the final product is in use is uppermost.

**6.3** Fit a screw top to the container and tighten so that the test piece is securely held around the edge and the container is sealed. If it is necessary to seal the junction between the test piece and the neck of the jar, warm the bottle and apply a thin layer of beeswax (4.8) to the flat surface of the neck. If the opening of the jar has been coated with beeswax, warm to  $(50 \pm 5) ^\circ\text{C}$  before introducing the silica gel and fixing the test piece.

**6.4** Place the container on the turntable (4.2.1) and start the test machine.

**NOTE** It might be necessary to use additional containers made up as in 6.1 to 6.3 to ensure that the turntable is balanced.

**6.5** Using vernier callipers (4.6), measure the internal diameter of the neck of a second container (to the nearest 0,1 mm) in two mutually perpendicular directions and calculate the mean diameter.

**6.6** After  $20 \text{ h} \pm 4 \text{ h}$ , remove the first container from the test machine then, as rapidly as possible, half fill the second container with freshly regenerated silica gel. Remove the test piece and screw top from the first container, place them on the second container (keeping the same side facing outwards) and weigh the second container with the silica gel and test piece. Record the mass ( $m_0$ ).

**6.7** If the test piece is approximately 3 mm in thickness or is heavily embossed or is expected to have a vapour permeability below  $5 \text{ mg}/(\text{cm}^2 \text{ h})$ , the end surface of the neck of the second container, taken in 6.5, should be dipped in melted beeswax. Afterwards, half fill the second container with freshly regenerated silica gel. Remove the test piece and screw top from the first container, place them on the second container

(keeping the same side facing outwards) and weigh the second container with the silica gel and test piece. Record the mass ( $m_0$ ).

**6.8** Replace the container on the vertical turntable and start the test machine and stop clock.

**6.9** After  $11,5 \text{ h} \pm 4,5 \text{ h}$ , stop the test machine and note the time.

**6.10** Remove the container and reweigh it. Record the mass ( $m_1$ ).

## 7 Expression of results

Calculate the water vapour permeability,  $P_{\text{wv}}$ , in milligrams per square centimetre hour, using the following equation.

$$P_{\text{wv}} = \frac{7\,639\Delta m}{d^2 t}$$

where

$\Delta m$  is the increase in mass of the container ( $m_1 - m_0$ ), in milligrams;

$d$  is the mean diameter of the neck of the container, in millimetres;

$t$  is the time between the first and second weighing, in minutes.

NOTE The constant 7 639 arises from the conversion of the diameter (measured in millimetres) to a radius in centimetres, the time (measured in minutes) to hours and the constant  $\pi$ , as follows:

$$7\,639 = \frac{(20)^2 \times 60}{\pi}$$

## 8 Test report

The test report shall include the following:

- a) reference to this International Standard, i.e. ISO 14268;
- b) the mean water vapour permeability,  $\bar{P}_{\text{wv}}$ , in milligrams per square centimetre hour, expressed to one decimal place;
- c) the preparation given to the test piece in 5.2;
- d) the standard atmosphere used for conditioning and testing as given in ISO 2419;
- e) any deviations from the method specified in this International Standard;
- f) full details for identification of the sample and any deviation from ISO 2418 with respect to sampling.

## Annex A (informative)

### Sources of apparatus

Examples of suitable products available commercially are given below. This information is given for the convenience of users of this International Standard and does not constitute an endorsement by ISO of these products.

The recommended apparatus is the Nice-Mitton permeability apparatus manufactured for example by:

SATRA Technology Centre, Wyndham Way, Telford Way, Kettering, Northants, NN16 8SD  
England, [www.satra.co.uk](http://www.satra.co.uk) ;

Giuliani Apparecchi Scientifici, via Centrallo, 68/18, I-10156 Torino, Italy, [www.giuliani.it](http://www.giuliani.it) ;

EMI Groupe Prodys Equipment, 9 chemin des Pres, Zirst 4403, F-38944 Meylan, France,  
[www.emi-developpement.com](http://www.emi-developpement.com) ;

Muver - Francisco Muñoz Irlas, Avda Hispanoamerica 42, E-03610 Petrer (Alicante),  
Spain, [www.muver.com](http://www.muver.com)

PFI, Test and Research Institute, Marie-Curie-StraÙe 19, D-66953 Pirmasens, Germany, [www.pfi-germany.de](http://www.pfi-germany.de)

## Annex B (informative)

### Water vapour number

It is common practice to combine the results of water vapour permeability,  $P_{\text{wv}}$ , ISO 14268, and water vapour absorption,  $A_{\text{wv}}$ , ISO 17229, to determine the water vapour number,  $W_{\text{pn}}$ .

Calculate the water vapour number,  $W_{\text{pn}}$ , in milligrams per square centimetre 8 hours, using the following equation:

$$W_{\text{pn}} = (t \times P_{\text{wv}}) + A_{\text{wv}}$$

where

$t$  is 8 h;

$P_{\text{wv}}$  is the water vapour permeability;

$A_{\text{wv}}$  is the water vapour absorption.

## Bibliography

- [1] ISO 17229:2002, *Leather — Physical and mechanical tests — Determination of water vapour absorption*





# British Standards Institution (BSI)

BSI is the national body responsible for preparing British Standards and other standards-related publications, information and services.

BSI is incorporated by Royal Charter. British Standards and other standardization products are published by BSI Standards Limited.

## About us

We bring together business, industry, government, consumers, innovators and others to shape their combined experience and expertise into standards-based solutions.

The knowledge embodied in our standards has been carefully assembled in a dependable format and refined through our open consultation process. Organizations of all sizes and across all sectors choose standards to help them achieve their goals.

## Information on standards

We can provide you with the knowledge that your organization needs to succeed. Find out more about British Standards by visiting our website at [bsigroup.com/standards](http://bsigroup.com/standards) or contacting our Customer Services team or Knowledge Centre.

## Buying standards

You can buy and download PDF versions of BSI publications, including British and adopted European and international standards, through our website at [bsigroup.com/shop](http://bsigroup.com/shop), where hard copies can also be purchased.

If you need international and foreign standards from other Standards Development Organizations, hard copies can be ordered from our Customer Services team.

## Subscriptions

Our range of subscription services are designed to make using standards easier for you. For further information on our subscription products go to [bsigroup.com/subscriptions](http://bsigroup.com/subscriptions).

With **British Standards Online (BSOL)** you'll have instant access to over 55,000 British and adopted European and international standards from your desktop. It's available 24/7 and is refreshed daily so you'll always be up to date.

You can keep in touch with standards developments and receive substantial discounts on the purchase price of standards, both in single copy and subscription format, by becoming a **BSI Subscribing Member**.

**PLUS** is an updating service exclusive to BSI Subscribing Members. You will automatically receive the latest hard copy of your standards when they're revised or replaced.

To find out more about becoming a BSI Subscribing Member and the benefits of membership, please visit [bsigroup.com/shop](http://bsigroup.com/shop).

With a **Multi-User Network Licence (MUNL)** you are able to host standards publications on your intranet. Licences can cover as few or as many users as you wish. With updates supplied as soon as they're available, you can be sure your documentation is current. For further information, email [bsmusales@bsigroup.com](mailto:bsmusales@bsigroup.com).

## BSI Group Headquarters

389 Chiswick High Road London W4 4AL UK

## Revisions

Our British Standards and other publications are updated by amendment or revision.

We continually improve the quality of our products and services to benefit your business. If you find an inaccuracy or ambiguity within a British Standard or other BSI publication please inform the Knowledge Centre.

## Copyright

All the data, software and documentation set out in all British Standards and other BSI publications are the property of and copyrighted by BSI, or some person or entity that owns copyright in the information used (such as the international standardization bodies) and has formally licensed such information to BSI for commercial publication and use. Except as permitted under the Copyright, Designs and Patents Act 1988 no extract may be reproduced, stored in a retrieval system or transmitted in any form or by any means – electronic, photocopying, recording or otherwise – without prior written permission from BSI. Details and advice can be obtained from the Copyright & Licensing Department.

## Useful Contacts:

### Customer Services

**Tel:** +44 845 086 9001

**Email (orders):** [orders@bsigroup.com](mailto:orders@bsigroup.com)

**Email (enquiries):** [cservices@bsigroup.com](mailto:cservices@bsigroup.com)

### Subscriptions

**Tel:** +44 845 086 9001

**Email:** [subscriptions@bsigroup.com](mailto:subscriptions@bsigroup.com)

### Knowledge Centre

**Tel:** +44 20 8996 7004

**Email:** [knowledgecentre@bsigroup.com](mailto:knowledgecentre@bsigroup.com)

### Copyright & Licensing

**Tel:** +44 20 8996 7070

**Email:** [copyright@bsigroup.com](mailto:copyright@bsigroup.com)



...making excellence a habit.™